



DEHUMIDIFIER Owner's Manual.....	1 - 9
DÉSHUMIDIFICATEUR Manuel du propriétaire.....	10 - 18
DESHUMIDIFICADOR Manual del propietario.....	19 - 27

MODEL • MODÈLE • MODELO DDR050BJPWDB DDR050BJPWDB-6
--

Welcome

Welcome to the Danby family. We are proud of our quality products and we believe in dependable service. We suggest that you read this owner's manual before plugging in your new appliance as it contains important operation information, safety information, troubleshooting and maintenance tips to ensure the reliability and longevity of your appliance.

Visit www.Danby.com to access self service tools, FAQs and much more. For additional assistance call **1-800-263-2629**.

Note the information below; you will need this information to obtain service under warranty.

You must provide the original purchase receipt to validate your warranty and receive service.

Model Number: _____

Serial Number: _____

Date of Purchase: _____

Need Help?

Before you call for service, here are a few things you can do to help us serve you better.

Read this owner's manual:

It contains instructions to help you use and maintain your appliance properly.

If you receive a damaged appliance:

Immediately contact the retailer or builder that sold you the appliance.

Save time and money:

Check the troubleshooting section at the end of this manual before calling. This section will help you solve common problems that may occur.



1-800-26- Danby
(1-800-263-2629)



Important Safety Information

READ AND FOLLOW ALL SAFETY INSTRUCTIONS

SAFETY REQUIREMENTS

This appliance is not intended for use by persons (including children) whose physical, sensory or mental capabilities may be different or reduced, or who lack experience or knowledge, unless such persons receive supervision or training to operate the appliance by a person responsible for their safety.

Children should be supervised to ensure that they do not play with the appliance.

To avoid risk of electric shock, do not operate this dehumidifier in an area that is likely to accumulate standing water. If this condition develops, disconnect the power supply before stepping into the water.

Do not store or use combustible materials such as gasoline or other flammable vapors or liquids in the vicinity of this or any other appliance.

Do not insert fingers or other objects into grills or openings in the appliance.

Do not cover or block the intake and exhaust openings.

Do not operate the appliance without the filter installed.

Do not operate the appliance near heat sources.

This appliance is intended for indoor, residential applications only. Do not use this dehumidifier outdoors. Do not use this dehumidifier for commercial or industrial applications.

GROUNDING INSTRUCTIONS

This appliance must be grounded. Grounding reduces the risk of electrical shock by providing an escape wire for the electrical current.

This appliance has a cord that has a grounding wire with a 3-prong plug. The power cord must be plugged into an outlet that is properly grounded. If the outlet is a 2-prong wall outlet, it must be replaced with a properly grounded 3-prong wall outlet. The serial rating plate indicates the voltage and frequency the appliance is designed for.

WARNING - Improper use of the grounding plug can result in a risk of electric shock. Consult a qualified electrician or service agent if the grounding instructions are not completely understood, or if doubt exists as to whether the appliance is properly grounded.

Do not connect the appliance to extension cords, adapters or together with another appliance in the same wall outlet.

Do not splice the power cord. Do not under any circumstances cut or remove the third ground prong from the power cord.

If the power supply cord is damaged, it must be replaced by the manufacturer, its service agent or similar qualified person in order to avoid hazard.

SAVE THESE INSTRUCTIONS!

OPERATING INSTRUCTIONS

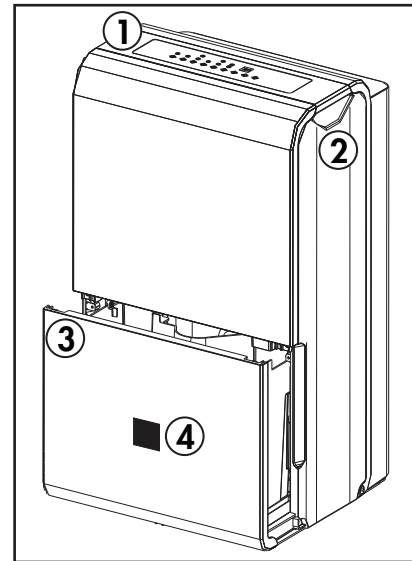
LOCATION

- Place the dehumidifier on a smooth, level floor that is strong enough to support the appliance with a full bucket of water.
- To maintain efficiency, operate the appliance in an enclosed area. Keep nearby doors and windows closed.
- Maintain a minimum clearance of 20 cm (8 inches) on the sides and back of the appliance and 40 cm (16 inches) on the top and front of the appliance to allow for proper air circulation.
- The recommended ambient operating temperature is between 5°C (41°F) and 32°C (90°F).
- Do not force rollers to move over carpeting as the appliance may tip over and spill water.
- Any time the appliance is placed on its back or side, it must be allowed to stand upright for 6 hours before plugging in to avoid damage to internal components.
- The drain hose connector can be found inside the bucket. The drain hose is attached to the side of the appliance.

FEATURES

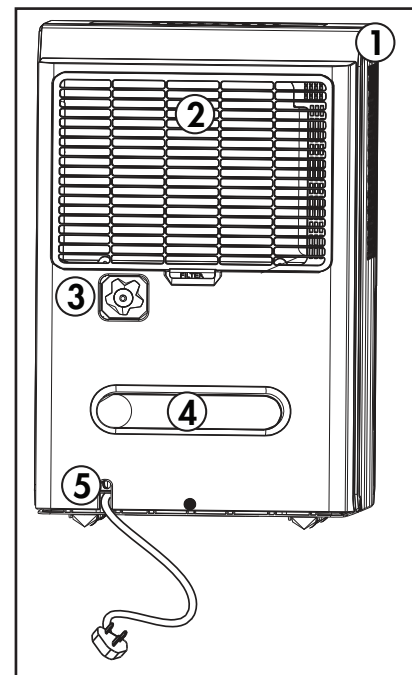
Front

1. Control Panel
2. Handles (both sides)
3. Water Bucket
4. Water Level Indicator



Back

1. Air Outlet
2. Air Filter
3. Continuous Drain Outlet
4. Power Cord Storage Band
5. Power Cord



OPERATING INSTRUCTIONS

CONTROL PANEL

1. Defrost Indicator Light

- The defrost indicator light will illuminate when frost has accumulated on the interior of the appliance. This can indicate that the ambient temperature is too cold. The dehumidifying function will cease until the frost has melted.

2. Full Bucket Indicator Light

- The full bucket indicator light will illuminate when the bucket is full of water. Empty the bucket to resume regular functioning.

3. Display

- The display will show the set humidity, the ambient humidity or the timer function.
- The humidity can be set between 35-85% in 5% increments. For drier air, set the humidity to a lower number. For damper air, set the humidity to a higher number.
- The ambient humidity display is accurate within +/- 5%.

4. Pump Button and Indicator Light

- Use this button to activate the drain pump. The indicator light will illuminate when the pump is active.

5. Smart Dehumidify Button and Indicator Light

- Use this button to activate smart dehumidify mode. Smart dehumidify mode will automatically set the humidity and fan speed based on the ambient temperature and humidity. The indicator light will illuminate when smart dehumidify is active.

6. Filter Button and Indicator Light

- The filter light will illuminate when the filter needs to be cleaned. Press the filter button once the filter has been cleaned to return to regular functioning.

7. Continuous Mode Button and Indicator Light

- Press this button to activate continuous mode. This will run the dehumidifying function continuously. The indicator light will turn on when continuous mode is active.

8. Fan Button and Indicator Light

- Press this button to set the fan speed to low or high. If the indicator light is off, the fan is set to low speed. If the indicator light is on, the fan is set to high speed.

9. Timer Button and Indicator Lights

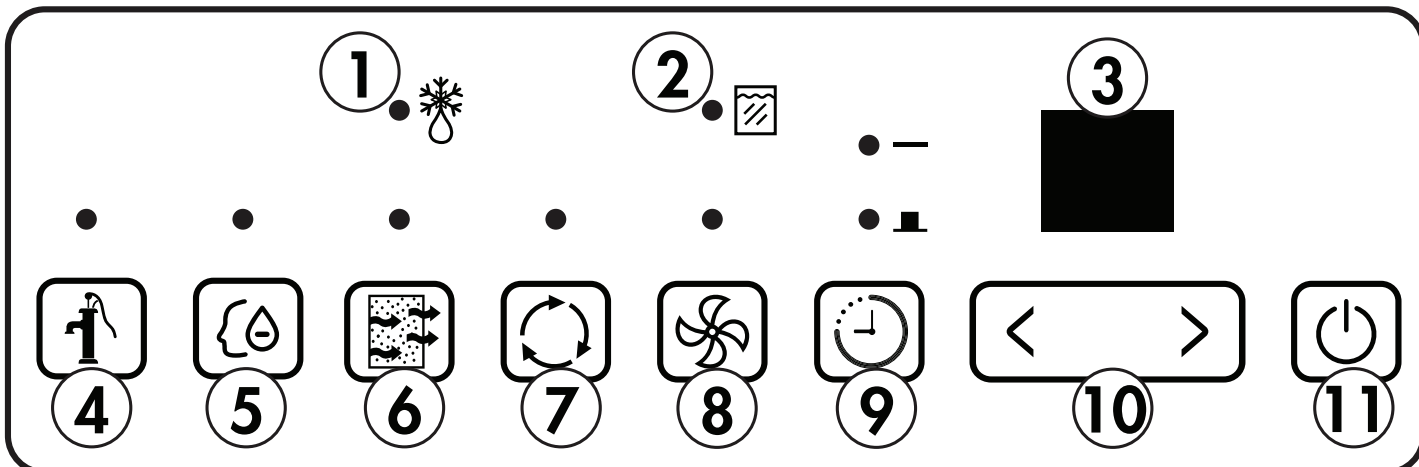
- Use this button to set the timer function.

10. Up and Down Arrows

- The up and down arrows can adjust the set humidity or the timer setting.

11. Power Button

- Use this button to turn the appliance on or off.



OPERATING INSTRUCTIONS

TIMER FUNCTION

Auto On Function

1. Press the timer button until the auto on indicator light illuminates.
2. Use the up and down arrows to select the desired amount of time before the appliance should turn on. The up and down arrows will add or subtract 30 minutes of time up to 10 hours, then at 1 hour increments up to a maximum of 24 hours.
3. The time selected will appear on the display panel and will count down until the appliance turns on.

Auto Off Function

1. Press the timer button until the auto off indicator light illuminates.
2. Use the up and down arrows to select the desired amount of time before the appliance should turn on. The up and down arrows will add or subtract 30 minutes of time up to 10 hours, then at 1 hour increments up to a maximum of 24 hours.
3. The time selected will appear on the display panel and will count down until the appliance turns off.

Using Auto On and Auto Off Simultaneously

The auto on and auto off functions can be used at the same time by first setting one and then the other. Both indicator lights will illuminate and the display will count down to the appliance either turning off or on, whichever function was set first.

Note: The timer will not cycle the appliance on and off indefinitely. The auto on and auto off timers will function one time and then the appliance will return to regular functioning.

Turning the appliance off, pressing the default button on the remote or unplugging the appliance will clear all memory settings, including the timer.

WATER REMOVAL

There are three ways to remove collected water from the appliance.

1. Water Bucket

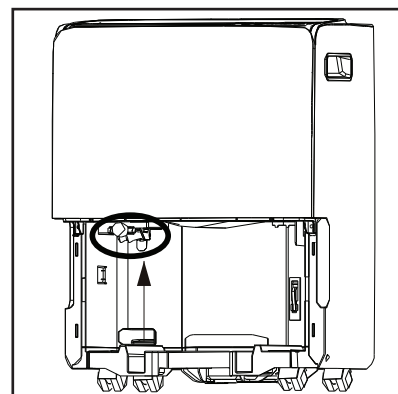
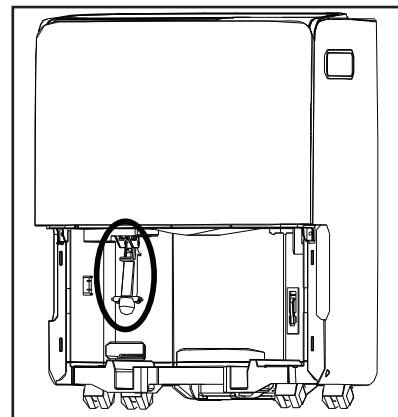
The dehumidifier will automatically collect condensed water in the water bucket. When the bucket is full, the compressor and fan will turn off and the full bucket indicator light will turn on. The display will show "P2".

To empty the bucket, gently remove it from the appliance by gripping both sides and pulling outward. Be cautious when removing the bucket, it will be full and can be heavy.

Do not place the water bucket directly on the floor. The bottom of the bucket is uneven and it will fall over and spill water.

Empty the bucket and replace it in the appliance. The dehumidifier will not function without the bucket installed.

Note: When removing the bucket, the pump arm for the drain pump may fall down. It must be gently pushed upward back into the correct position before replacing the bucket.



OPERATING INSTRUCTIONS

WATER REMOVAL

2. Continuous Drain

Water can be removed from the appliance using the continuous drain connector and the provided drain hose.

Before using any automatic drain functions, check that all drain ports are clean and free of debris. There is one drain port inside the bucket compartment of the appliance, remove the bucket to see it. There is one drain port on the back of the appliance where the drain hose attaches. All drain ports should be cleaned with a pipe cleaner prior to use.

Note: Do not clean the drain ports with anything more rigid than a pipe cleaner as this can damage the appliance.

Note: If the drain ports are clogged or dirty it can cause water to leak from the bottom of the appliance.

Remove the cover from the continuous drain outlet and attach the provided drain connector that is shipped inside the water bucket. Attach the provided drain hose to the drain connector and direct the other end of the drain hose to a bucket or floor drain.

Ensure that the drain hose is not bent and goes straight down from the back of the appliance. The continuous drain is only activated by gravity so any bends or upward motion in the hose will stop the water from draining.

The drain hose is 2 m (6.6 feet) long. Do not connect this drain hose together with any other hose. If the drain hose is too long water may not drain completely which can lead to stagnant water and mildew build up inside the hose.

Note: When the ambient temperature is higher than the temperature of the water inside the drain hose, condensation may appear on the outside of the drain hose. This is normal.

WATER REMOVAL

3. Pump Drain

If the continuous drain is inconvenient, water can be removed from the appliance using the pump drain.

When using the pump, the appliance will first fill the bucket with water and then the pump arm will pump water from the bucket through the drain and out the hose.

Remove the cover from the pump drain outlet and attach the provided drain hose. Direct the other end of the hose to a drain. Press the pump button to activate the pump function. When the bucket is full, the pump will begin to work.

Ensure that the drain hose is not bent, this can stop the water from draining correctly and overwork the pump.

Do not connect the provided hose together with another hose. The maximum length of the pump drain hose should be no more than 4.6 m (15 feet). If the drain hose is too long water may not drain completely which can lead to stagnant water and mildew build up inside the hose.

When using the pump drain, the water bucket should be emptied every few days to ensure that the water in the bucket does not become stagnant or grow mildew.

CARE & MAINTENANCE

AIR FILTER

The air filter should be cleaned approximately every 2 weeks. The air filter may require more frequent cleaning if there is significant dander or fur in the air.

Approximately every two weeks, the filter indicator light on the control panel will illuminate as a reminder to clean the filter. Follow the steps below to clean the filter and return the appliance to normal functioning.

1. The air filter is located behind the rear intake grill. To remove the air filter, grasp the filter tab on the bottom of the grill and slide it downward.
2. Use a vacuum cleaner with a soft brush attachment to remove any large debris or dust build up from the air filter.
3. Wash the filter in lukewarm, soapy water, below 40°C (104°F), or use a neutral cleaning agent.
4. Rinse the filter with clean water and dry thoroughly before reinstalling in the appliance.
5. Press the filter button on the control panel to resume normal functioning.

Note: Do not operate the appliance without the air filter installed.

ERROR CODES

If the display panel shows any of the below error codes, unplug the appliance, let it stand for 5-10 minutes and then plug it back in. If the error persists, call for service.

AS - Humidity sensor error

ES - Temperature sensor error

P2 - Full bucket

E3 - Sensor malfunction

Eb - Bucket removed or not in the correct position

CLEANING

To avoid possible electric shock, ensure that the appliance is unplugged before performing any cleaning or maintenance.

The outside of the appliance can be wiped clean with a soft cloth or with a lukewarm, damp cloth if necessary.

Do not use gasoline, benzene, thinner or any other chemicals to clean this appliance as these substances can cause damage to the finish and deformation of plastic parts.

Never pour water directly onto the appliance as this will cause deterioration of electrical components and wiring insulation.

Ensure that the drain ports on the interior of the appliance and the drain ports on the back of the appliance are free of dirt and calcium build up.

END OF SEASON CARE

Ensure that the inside of the appliance is dry before storing for the off season to help avoid the growth of mold or mildew. Ensure the filter is clean and dry. Store the appliance covered in a dry location.

DISPOSAL

This appliance may not be treated as regular household waste, it should be taken to the appropriate waste collection point for recycling of electrical components. Check for local regulatory compliance regarding approved and safe disposal of this appliance.

TROUBLESHOOTING

Danby Consumer Care: 1-800-263-2629

Hours of operation:

Monday to Thursday 8:30 am - 6:00 pm Eastern Standard Time

Friday 8:30 am - 4:00 pm Eastern Standard Time

Information in this manual is subject to change without notice.

PROBLEM	POSSIBLE CAUSE
Appliance will not operate	<ul style="list-style-type: none">• Plug is not fully inserted into the wall outlet• Blown fuse or circuit breaker• Ambient humidity is lower than the set humidity• Bucket is full or is not in the proper position
Insufficient dehumidifying	<ul style="list-style-type: none">• Air filter is dirty• Blocked air flow• Appliance size is too small for application• Ambient humidity is lower than the set humidity
Noise	<ul style="list-style-type: none">• Air filter is dirty• Bucket is not in proper position• Floor surface is not level
Odors	<ul style="list-style-type: none">• Formation of mold or mildew on internal wet surfaces• Place an algaecide tablet in the water bucket
Water on floor	<ul style="list-style-type: none">• Hose connection is loose• Drain cover has been removed
Frost build up	<ul style="list-style-type: none">• When ambient temperature is below 5°C (41°F) frost may form• Switch the appliance to fan only mode until the frost melts

LIMITED "CARRY IN" WARRANTY

This quality product is warranted to be free from manufacturer's defects in material and workmanship, provided that the unit is used under the normal operating conditions intended by the manufacturer.

This warranty is available only to the person to whom the unit was originally sold by Danby Products Limited (Canada) or Danby Products Inc. (U.S.A.) (hereafter "Danby") or by an authorized distributor of Danby, and is non-transferable.

TERMS OF WARRANTY

Plastic parts are warranted for thirty (30) days from the date of purchase, with no extensions provided.

First 24 months During the first **twenty four (24) months**, any functional parts of this product found to be defective, will be repaired or replaced, at warrantor's option, at no charge to the original purchaser.

To obtain service Contact the dealer where the unit was purchased, or contact the nearest authorized Danby service depot, where service must be performed by a qualified service technician. If service is performed on the unit by anyone other than an authorized service depot, all obligations of Danby under this warranty shall be void.

It is the responsibility of the purchaser to transport the appliance to the nearest authorized service depot.

Transportation charges to and from the service location are not protected by this warranty and are the responsibility of the purchaser.

Nothing within this warranty shall imply that Danby will be responsible or liable for any spoilage or damage to food or other contents of this appliance, whether due to any defect of the appliance, or its use, whether proper or improper.

EXCLUSIONS

Save as herein provided, by Danby, there are no other warranties, conditions, representations or guarantees, express or implied, made or intended by Danby or its authorized distributors and all other warranties, conditions, representations or guarantees, including any warranties, conditions, representations or guarantees under any Sale of Goods Act or like legislation or statute is hereby expressly excluded. Save as herein provided, **Danby shall not be responsible for any damages to persons or property, including the unit itself, howsoever caused or any consequential damages arising from the malfunction of the unit and by the purchase of the unit, the purchaser does hereby agree to indemnify and hold harmless Danby from any claim for damages to persons or property caused by the unit.**

GENERAL PROVISIONS

No warranty or insurance herein contained or set out shall apply when damage or repair is caused by any of the following:

- 1) Power failure.
- 2) Damage in transit or when moving the appliance.
- 3) Improper power supply such as low voltage, defective house wiring or inadequate fuses.
- 4) Accident, alteration, abuse or misuse of the appliance such as inadequate air circulation in the room or abnormal operating conditions (ie. extremely high or low room temperature).
- 5) Use for commercial or industrial purposes (ie. If the appliance is not installed in a domestic residence).
- 6) Fire, water damage, theft, war, riot, hostility, acts of God such as hurricanes, floods etc.
- 7) Service calls resulting in customer education.
- 8) Improper Installation (ie. Building-in of a free standing appliance or using an appliance outdoors that is not approved for outdoor application, including but not limited to: garages, patios, porches or anywhere that is not properly insulated or climate controlled).

Proof of purchase date will be required for warranty claims; retain bills of sale. In the event that warranty service is required, present the proof of purchase to our authorized service depot.

Warranty Service
Carry In

Danby Products Limited
PO Box 1778, Guelph, Ontario, Canada N1H 6Z9
Telephone: (519) 837-0920 FAX: (519) 837-0449

1-800-263-2629
04/17

Danby Products Inc.
PO Box 669, Findlay, Ohio, U.S.A. 45840
Telephone: (419) 425-8627 FAX: (419) 425-8629

Bienvenue

Bienvenue à la famille Danby. Nous sommes fiers de la qualité de nos produits et nous croyons en le service fiable. Nous vous suggérons de lire ce manuel d'utilisation avant de brancher votre nouvel appareil car il contient des informations importantes sur l'utilisation, la sécurité, le dépannage et la maintenance, afin d'assurer la fiabilité et la longévité de votre appareil.

Visitez **www.Danby.com** pour accéder aux outils d'autoservice, aux FAQ et bien plus encore. Pour obtenir de l'aide supplémentaire, composez **1-800-263-2629**.

Notez les informations ci-dessous; Vous aurez besoin de cette information pour obtenir un service sous garantie.

Vous devez fournir le reçu d'achat original pour valider votre garantie et recevoir le service.

Numéro de modèle: _____

Numéro de serie: _____

Date d'achat: _____

Besoin d'assistance?

Avant d'appeler pour service, voici quelques choses que vous pouvez faire pour nous aider à mieux vous servir.

Lire ce manuel du propriétaire:

Il contient des instructions pour vous aider à utiliser et à maintenir votre appareil correctement.

Si vous recevez un appareil endommagé:

Contactez immédiatement le revendeur ou l'entrepreneur qui vous a vendu l'appareil.

Gagnez du temps et de l'argent:

Avant d'appeler pour service, consultez la section de dépannage à la fin de ce manuel. Cette section vous aidera à résoudre les problèmes courants pouvant survenir.



1-800-26- Danby
(1-800-263-2629)



Informations importantes de sécurité

LIRE ET SUIVRE TOUTES LES INSTRUCTIONS DE SÉCURITÉ

EXIGENCES DE SÉCURITÉ

Cet appareil n'est pas destiné à être utilisé par des personnes (y compris des enfants) dont les capacités physiques, sensorielles ou mentales peuvent être différentes ou réduites, ou qui n'ont pas d'expérience ou de connaissances, à moins que ces personnes ne soient surveillées ou formées pour faire fonctionner l'appareil par une personne responsable de leur sécurité.

Les enfants devraient être surveillés pour s'assurer qu'ils ne jouent pas avec l'appareil.

Pour éviter tout risque de choc électrique, ne pas utiliser ce déshumidificateur dans une zone susceptible d'accumuler de l'eau stagnante. Si cette condition se développe, débranchez l'alimentation avant de pénétrer dans l'eau.

Ne pas stocker ou utiliser des matériaux combustibles tels que de l'essence ou d'autres vapeurs ou liquides inflammables à proximité de ce ou d'un autre appareil.

Ne pas insérer de doigts ou d'autres objets dans des grilles ou des ouvertures dans l'appareil.

Ne pas couvrir ou bloquer les ouvertures d'admission et d'échappement.

N'utilisez pas l'appareil sans le filtre installé.

N'utilisez pas l'appareil à proximité de sources de chaleur.

Cet appareil est destiné uniquement à des applications résidentielles et intérieures. N'utilisez pas ce déshumidificateur à l'extérieur. N'utilisez pas ce déshumidificateur pour des applications commerciales ou industrielles.

INSTRUCTIONS DE MISE À LA TERRE

Cet appareil doit être mis à la terre. La mise à la terre réduit le risque de choc électrique en fournissant un câble d'échappement pour le courant électrique.

Cet appareil possède un cordon doté d'un fil de mise à la terre avec une fiche à 3 broches. Le cordon d'alimentation doit être branché sur une prise correctement mise à la terre. Si la sortie est une prise murale à 2 broches, elle doit être remplacée par une prise murale à 3 broches correctement mise à la terre. La plaque signalétique en série indique la tension et la fréquence auxquelles l'appareil est conçu.

AVERTISSEMENT - L'utilisation incorrecte de la fiche de mise à la terre peut entraîner un risque d'électrocution. Consultez un électricien qualifié ou un agent de service si les instructions de mise à la terre ne sont pas complètement comprises, ou s'il existe un doute quant à savoir si l'appareil est correctement mis à la terre.

Ne branchez pas l'appareil à des rallonges, des adaptateurs ou à un autre appareil dans la même prise murale.

Ne pas épisser le cordon d'alimentation. Ne coupez ou retirez en aucun cas la troisième broche du cordon d'alimentation.

Si le cordon d'alimentation est endommagé, il doit être remplacé par le fabricant, son agent de maintenance ou une personne qualifiée similaire afin d'éviter tout risque.

GARDEZ CES INSTRUCTIONS!

INSTRUCTIONS D'UTILISATION

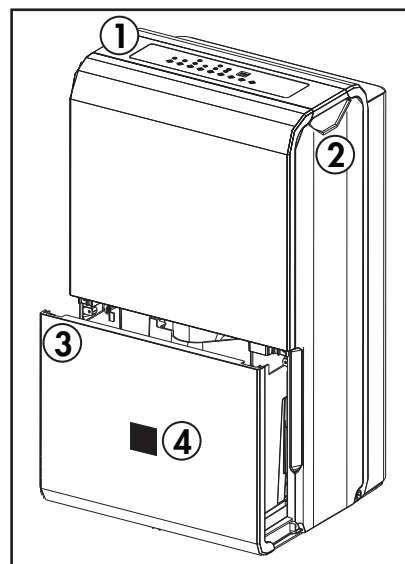
EMPLACEMENT

- Placez le déshumidificateur sur un plancher lisse et plat qui est assez solide pour supporter l'appareil avec un seau complet d'eau.
- Pour maintenir l'efficacité, faites fonctionner l'appareil dans une zone fermée. Gardez les portes et les fenêtres fermées à proximité.
- Conservez un espace minimum de 20 cm (8 pouces) sur les côtés et à l'arrière de l'appareil et de 40 cm (16 pouces) sur le dessus et l'avant de l'appareil pour permettre une circulation d'air adéquate.
- La température ambiante de fonctionnement recommandée est comprise entre 5°C (32°F) et 32°C (90°F).
- Ne pas forcer les rouleaux à se déplacer sur les moquettes car l'appareil peut basculer et renverser de l'eau.
- Chaque fois que l'appareil est placé sur son dos ou sur son côté, il doit pouvoir se tenir debout pendant 6 heures avant de brancher pour éviter d'endommager les composants internes.
- Le raccord du tuyau de vidange se trouve à l'intérieur du seau. Le tuyau de vidange est fixé sur le côté de l'appareil.

CARACTÉRISTIQUES

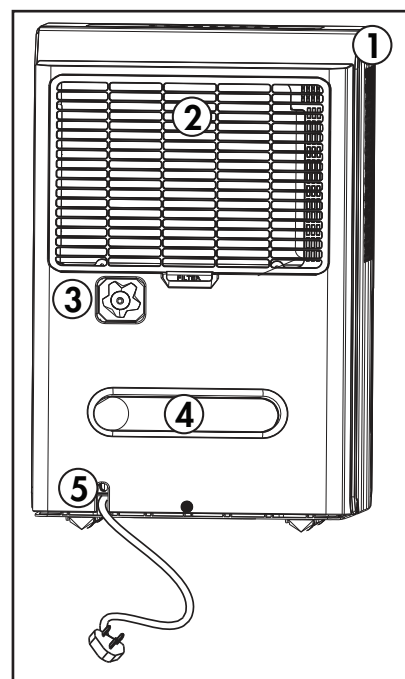
Avant

1. Panneau de contrôle
2. Poignées (des deux côtés)
3. Seau d'eau
4. Indicateur de niveau d'eau



Arrière

1. Sortie d'air
2. Filtre à air
3. Prise de vidange continue
4. Bande de stockage du cordon d'alimentation
5. Cordon d'alimentation



INSTRUCTIONS D'UTILISATION

PANNEAU DE CONTRÔLE

1. Voyant lumineux de dégivrage

- Le témoin de dégivrage s'allume lorsque le givre s'est accumulé à l'intérieur de l'appareil. Cela peut indiquer que la température ambiante est trop froide. La fonction de déshumidification cessera jusqu'à ce que le givre ait fondu.

2. Voyant lumineux de seau plein

- Le voyant du seau complet s'allume lorsque le seau est plein d'eau. Videz le seau pour reprendre le fonctionnement régulier.

3. Écran d'affichage

- L'affichage indique l'humidité définie, l'humidité ambiante ou la fonction de minuterie.
- L'humidité peut être réglée entre 35-85% par incréments de 5%. Pour un air plus sec, régler l'humidité à un nombre inférieur. Pour l'air amortisseur, régler l'humidité à un nombre plus élevé.
- L'affichage de l'humidité ambiante est précis entre +/-5%.

4. Bouton de pompe et voyant lumineux

- Utilisez ce bouton pour activer la pompe de vidange. Le témoin lumineux s'allume lorsque la pompe est active.

5. Déshumidification intelligente et voyant lumineux

- Utilisez ce bouton pour activer le mode de déshumidification intelligent. Le mode de déshumidification intelligent définit automatiquement l'humidité et la vitesse du ventilateur en fonction de la température ambiante et de l'humidité. Le témoin lumineux s'allume lorsque le déshumidification intelligent est activé.

6. Bouton de filtre et voyant lumineux

- La lumière du filtre s'allume lorsque le filtre doit être nettoyé. Appuyez sur le bouton de filtre une fois que le filtre a été nettoyé pour revenir au fonctionnement régulier.

7. Bouton de mode continu et voyant lumineux

- Appuyez sur ce bouton pour activer le mode continu. Cela entraînera en continu la fonction de déshumidification. Le voyant s'allume lorsque le mode continu est activé.

8. Bouton de ventilateur et voyant lumineux

- Appuyez sur cette touche pour régler la vitesse du ventilateur à faible ou à haute. Si le témoin lumineux est éteint, le ventilateur est réglé à faible vitesse. Si le témoin lumineux est allumé, le ventilateur est réglé sur une vitesse élevée.

9. Bouton de minuterie et voyants lumineux

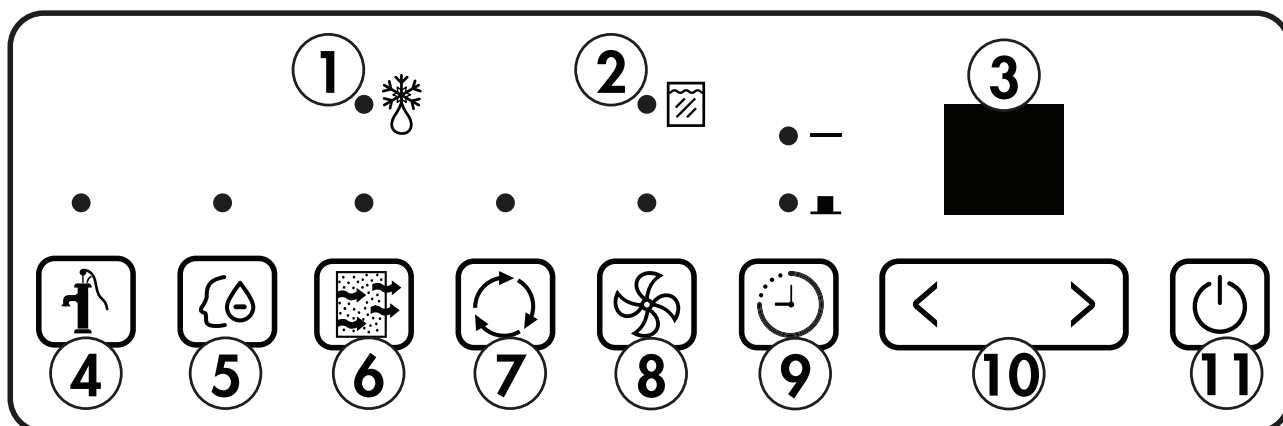
- Utilisez ce bouton pour régler la fonction de minuterie.

10. Flèches haut et bas

- Les flèches haut et bas peuvent ajuster l'humidité définie ou le réglage de la minuterie.

11. Bouton d'alimentation

- Utilisez ce bouton pour allumer ou éteindre l'appareil.



INSTRUCTIONS D'UTILISATION

FONCTION DE MINUTERIE

Fonction d'activation automatique

1. Appuyez sur le bouton de la minuterie jusqu'à ce que le voyant d'activation automatique s'allume.
2. Utilisez les flèches haut et bas pour sélectionner la durée souhaitée avant que l'appareil ne s'allume. Les flèches haut et bas ajouteront ou soustrairont 30 minutes de temps jusqu'à 10 heures, puis à des incréments de 1 heure jusqu'à un maximum de 24 heures.
3. L'heure sélectionnée apparaîtra sur le panneau d'affichage et débutera jusqu'à ce que l'appareil s'allume.

Fonction de désactivation automatique

1. Appuyez sur le bouton de la minuterie jusqu'à ce que le témoin de désactivation automatique s'allume.
2. Utilisez les flèches haut et bas pour sélectionner la durée souhaitée avant que l'appareil ne s'allume. Les flèches haut et bas ajouteront ou soustrairont 30 minutes de temps jusqu'à 10 heures, puis à des incréments de 1 heure jusqu'à un maximum de 24 heures.
3. L'heure sélectionnée apparaîtra sur le panneau d'affichage et débutera jusqu'à ce que l'appareil s'éteigne.

Utilisation automatique activée et désactivée simultanément

Les fonctions d'activation automatique et de désactivation automatique peuvent être utilisées simultanément en réglant d'abord l'une puis l'autre. Les deux voyants lumineux s'allument et l'affichage décompte vers le bas pour que l'appareil soit éteint ou allumé, quelle que soit la fonction réglée en premier.

Remarque: La minuterie ne met pas l'appareil sous tension et hors tension indéfiniment. Les minuteries auto activées et désactivées fonctionneront une fois, puis l'appareil revient à un fonctionnement régulier.

Si vous éteignez l'appareil, appuyez sur le bouton par défaut de la télécommande ou débranchez l'appareil pour effacer tous les paramètres de la mémoire, y compris la minuterie.

ELIMINATION D'EAU

Il existe trois façons d'éliminer l'eau collectée de l'appareil.

1. Seau d'eau

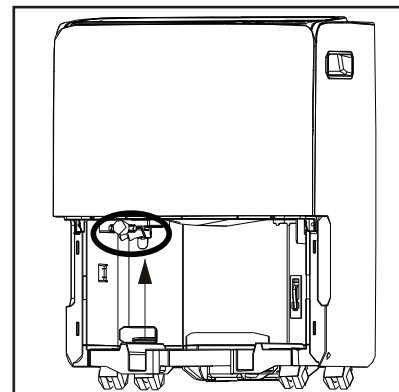
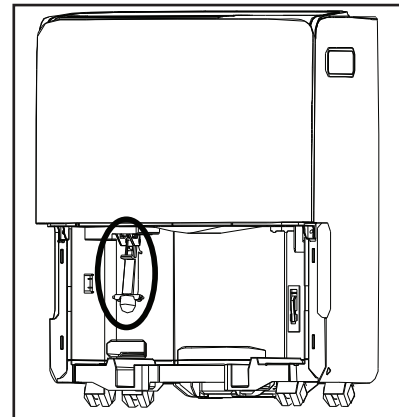
Le déshumidificateur collectera automatiquement l'eau condensée dans le seau d'eau. Lorsque le seau est plein, le compresseur et le ventilateur s'éteignent et le voyant du seau complet s'allume. L'écran affiche "P2".

Pour vider le seau, retirez-le doucement de l'appareil en agrippant les deux côtés et en tirant vers l'extérieur. Soyez prudent lors de l'enlèvement du seau, il sera plein et peut être lourd.

Ne placez pas le seau à eau directement sur le sol. Le fond du seau est inégal et il tombera et déversera de l'eau.

Videz le seau et remettez-le dans l'appareil. Le déshumidificateur ne fonctionnera pas sans le godet installé.

Remarque: Lorsque vous retirez le seau, le bras de pompe pour la pompe de vidange peut tomber. Il doit être repoussé doucement vers le haut dans la position correcte avant de remplacer le seau.



INSTRUCTIONS D'UTILISATION

ELIMINATION D'EAU

2. Drain continu

L'eau peut être retirée de l'appareil à l'aide du raccord de vidange en continu et du tuyau de vidange fourni.

Avant d'utiliser une fonction de vidange automatique, vérifiez que tous les orifices de vidange sont propres et exempts de débris. Il y a un orifice de vidange à l'intérieur du compartiment à seau de l'appareil. Retirez le seau pour le voir. Il y a un orifice de vidange à l'arrière de l'appareil auquel le tuyau de vidange est attaché. Tous les orifices de vidange doivent être nettoyés avec un cure-pipe avant utilisation.

Remarque: Ne nettoyez pas les orifices de vidange avec un objet plus rigide qu'un cure-pipe, cela pourrait endommager l'appareil.

Remarque: Si les orifices de vidange sont bouchés ou sales, de l'eau peut s'écouler du bas de l'appareil.

Retirez le couvercle de la sortie de vidange continue et fixez le connecteur de vidange fourni qui est expédié à l'intérieur du seau d'eau. Fixez le tuyau de vidange fourni au raccord de vidange et dirigez l'autre extrémité du tuyau de vidange vers un seau ou un siphon de sol.

Assurez-vous que le tuyau de vidange n'est pas plié et descend directement à l'arrière de l'appareil. La vidange continue est uniquement activée par gravité de sorte que toute flexion ou tout mouvement ascendant dans le tuyau empêche la vidange de l'eau.

Le tuyau de vidange mesure 2 m (6,6 pieds) de long. Ne connectez pas ce tuyau d'évacuation avec un autre tuyau. Si le tuyau de vidange est trop long, l'eau risque de ne pas s'écouler complètement, ce qui peut entraîner une accumulation d'eau stagnante et de moisissure à l'intérieur du tuyau.

Remarque: lorsque la température ambiante est supérieure à la température de l'eau à l'intérieur du tuyau de vidange, de la condensation peut apparaître à l'extérieur du tuyau de vidange. C'est normal.

ELIMINATION D'EAU

3. Vidange de pompe

Si le drain continu est gênant, l'eau peut être retirée de l'appareil à l'aide du drain de la pompe.

Lors de l'utilisation de la pompe, l'appareil remplit d'abord le seau avec de l'eau, puis le bras de pompe pompe l'eau du seau dans le drain et le tuyau.

Retirez le couvercle de la sortie de vidange de la pompe et fixez le tuyau de vidange fourni. Dirigez l'autre extrémité du tuyau vers un drain. Appuyez sur le bouton de la pompe pour activer la fonction de la pompe. Lorsque le seau est plein, la pompe commencera à fonctionner.

Assurez-vous que le tuyau de vidange n'est pas plié, cela peut empêcher l'eau de s'écouler correctement et de surcharger la pompe.

Ne raccordez pas le tuyau fourni avec un autre tuyau. La longueur maximale du tuyau de vidange de la pompe ne doit pas dépasser 4.6 m (15 pieds). Si le tuyau de vidange est trop long, l'eau peut ne pas s'effondrer complètement, ce qui peut entraîner une accumulation d'eau stagnante et de la moisissure dans le tuyau.

Lorsque vous utilisez le drain de la pompe, le godet d'eau doit être vidé tous les jours pour s'assurer que l'eau dans le seau ne stagne pas ou que la moisissure augmente.

SOINS ET MAINTENANCE

FILTRE À AIR

Le filtre à air doit être nettoyé environ toutes les 2 semaines. Le filtre à air peut nécessiter un nettoyage plus fréquent si il y a un choc important ou de la fourrure dans l'air.

Environ toutes les deux semaines, le voyant du filtre sur le panneau de commande s'allume comme un rappel pour nettoyer le filtre. Suivez les étapes ci-dessous pour nettoyer le filtre et retournez l'appareil au fonctionnement normal.

1. Le filtre à air est situé derrière la grille d'admission arrière. Pour retirer le filtre à air, saisissez la languette du filtre au bas de la grille et faites-la glisser vers le bas.
2. Utilisez un aspirateur avec une brosse douce pour enlever les grands débris ou la poussière du filtre à air.
3. Lavez le filtre dans de l'eau tiède savonneuse, inférieure à 40°C (104°F), ou utilisez un agent de nettoyage neutre.
4. Rincez le filtre avec de l'eau propre et séchez bien avant de le réinstaller dans l'appareil.
5. Appuyez sur le bouton de filtrage sur le panneau de commande pour reprendre le fonctionnement normal.

Remarque: Ne faites pas fonctionner l'appareil sans le filtre à air installé.

CODES D'ERREUR

Si le panneau d'affichage affiche l'un des codes d'erreur ci-dessous, débranchez l'appareil, laissez reposer pendant 5 à 10 minutes, puis rallumez-le. Si l'erreur persiste, appelez pour le service.

AS - Erreur du capteur d'humidité

ES - Erreur du capteur de température

P2 - Seau plein

E3 - Dysfonctionnement du capteur

Eb - Seau enlevé ou non dans la position correcte

NETTOYAGE

Pour éviter tout risque d'électrocution, assurez-vous que l'appareil est débranché avant d'effectuer un nettoyage ou une maintenance.

L'extérieur de l'appareil peut être nettoyé avec un chiffon doux ou avec un chiffon tiède et humide si nécessaire.

N'utilisez pas d'essence, de benzène, de diluant ou d'autres produits chimiques pour nettoyer cet appareil car ces substances peuvent endommager l'enduit et la déformation des pièces en plastique.

Ne versez jamais d'eau directement sur l'appareil, car cela entraînera une détérioration des composants électriques et de l'isolation des câbles.

Assurez-vous que les orifices de vidange à l'intérieur de l'appareil et les orifices de vidange à l'arrière de l'appareil sont exempts de saleté et d'accumulation de calcium.

SOINS POUR LA FIN DE SAISON

Assurez-vous que l'intérieur de l'appareil est sec avant de le stocker pour la saison morte afin d'éviter la croissance de moisissure. Assurez-vous que le filtre est propre et sec. Rangez l'appareil couvert dans un endroit sec.

ÉLIMINATION

Cet appareil ne doit pas être considéré comme un ordures ménagères, mais il doit être pris au point approprié de collecte des déchets pour le recyclage des composants électriques. Vérifiez la conformité réglementaire locale concernant l'élimination approuvée et sûre de cet appareil.

DÉPANNAGE

Danby soins du consommateur: 1-800-263-2629

Heures d'ouverture:

Lundi à Jeudi 8 h 30 à 18 h, heure normale de l'Est

Vendredi de 8 h 30 à 16 h, heure normale de l'Est

Les informations contenues dans ce manuel sont sujettes à modification sans préavis.

PROBLÈME	CAUSE POSSIBLE
L'appareil ne fonctionnera pas	<ul style="list-style-type: none">• La fiche n'est pas complètement insérée dans la prise murale• Fusible soufflé ou disjoncteur• L'humidité ambiante est inférieure à l'humidité définie• Seau est plein ou pas dans la bonne position
Déshumidification insuffisante	<ul style="list-style-type: none">• Le filtre à air est sale• Flux d'air bloqué• La taille de l'appareil est trop petite pour l'application• L'humidité ambiante est inférieure à l'humidité définie
Bruit	<ul style="list-style-type: none">• Le filtre à air est sale• Seau n'est pas en bonne position• La surface du plancher n'est pas de niveau
Odeurs	<ul style="list-style-type: none">• Formation de moisissure sur des surfaces intérieures humides• Placer un comprimé d'algaïcide dans le seau à eau
L'eau sur le sol	<ul style="list-style-type: none">• Le raccord du tuyau est desserré• Le couvercle de drainage a été retiré
Accumulation de givre	<ul style="list-style-type: none">• Lorsque la température ambiante est inférieure à 5°C (41°F), la gelée peut se former• Mettez l'appareil en mode ventilateur uniquement jusqu'à ce que le givre fonde

GARANTIE LIMITÉE « EN ATELIER »

Cet appareil de qualité est garanti exempt de tout vice de matière première et de fabrication, s'il est utilisé dans les conditions normales recommandées par le fabricant.

Cette garantie n'est offerte qu'à l'acheteur initial de l'appareil vendu par Danby Products Limited (Canada) ou Danby Products Inc. (É.-U.) (ci-après « Danby ») ou par l'un des ses distributeurs agréés et elle ne peut être transférée.

CONDITIONS

Les pièces en plastique sont garanties pendant trente (30) jours seulement à partir de la date de l'achat, sans aucune prolongation prévue.

Premiers 24 mois Pendant les premiers **vingt quatre (24) mois**, toutes les pièces fonctionnelles de ce produit qui s'avèrent défectueuses seront réparées ou remplacées, selon le choix du garant, sans frais à l'acheteur initial.

Pour obtenir un service Contactez le revendeur où l'appareil a été acheté ou contactez le dépôt de service Danby autorisé le plus proche, où le service doit être effectué par un technicien de service qualifié. Si le service est effectué sur l'appareil par une personne autre qu'un dépôt de service autorisé, toutes les obligations de Danby en vertu de cette garantie seront annulées.

Il est de la responsabilité de l'acheteur de transporter l'appareil vers le dépôt de service agréé le plus proche.

Les frais de transport entre votre domicile et le lieu de l'entretien ne sont pas couverts par la présente garantie et doivent être acquittés par l'acheteur.

Aucune partie de la garantie ne prévoit implicitement que le fabricant sera tenu responsable des dommages subis par les aliments ou d'autres types de contenu, qu'ils soient causés par la défectuosité de l'appareil ou par son usage adéquat ou inadéquat.

EXCLUSIONS

En vertu de la présente, il n'existe aucune autre garantie, condition ou représentation, qu'elle soit exprimée ou tacite, de façon manifeste ou intentionnelle, par Danby ou ses distributeurs agréés. De même, sont exclues toutes les autres garanties, conditions ou représentations, y compris les garanties, conditions ou représentations en vertu de toute loi régissant la vente de produits ou de toute autre législation ou règlement semblable. **En vertu de la présente, Danby ne peut être tenue responsable en cas de blessures corporelles ou de dégâts matériels, y compris à l'appareil, quelle qu'en soit les causes. Danby ne peut pas être tenue responsable des dommages indirects dus au fonctionnement défectueux de l'appareil. En achetant l'appareil, l'acheteur accepte de tenir sans reproche et de dégager Danby de toute responsabilité en cas de réclamation pour toute blessure corporelle ou tout dégât matériel causé par cet appareil.**

CONDITIONS GÉNÉRALES

La garantie ou assurance ci-dessus ne s'applique pas si les dégâts ou réparations sont dus aux cas suivants :

- 1) Panne de courant.
- 2) Dommages subis pendant le transport ou le déplacement de l'appareil.
- 3) Alimentation électrique incorrecte (tension faible, câblage défectueux, fusibles incorrects).
- 4) Accident, modification, emploi abusif ou incorrect de l'appareil tel qu'une circulation d'air inadéquate dans la pièce ou des conditions de fonctionnement anormales (température extrêmement élevée ou basse).
- 5) Utilisation dans un but commercial ou industriel (à savoir, si l'appareil n'est pas installé dans un domicile résidentiel).
- 6) Incendie, dommages causés par l'eau, le vol, la guerre, une émeute, des hostilités, ou en cas de force majeure (ouragan, inondation, etc.).
- 7) Visites d'un technicien pour expliquer le fonctionnement de l'appareil au propriétaire.
- 8) Installation inappropriée (par exemple, encastrement d'un appareil autoportant, ou utilisation extérieure d'un appareil non conçu à cet effet, y compris, mais sans s'y limiter : les garages, les patios, les porches ou ailleurs, qui ne sont pas correctement isolés ou climatisés).

La preuve de la date d'achat sera requise pour les réclamations de garantie; conserver la facture de vente. Dans le cas où un service de garantie est requis, présentez la preuve d'achat à notre dépôt de service agréé.

Service sous garantie

En Atelier

Danby Products Limited
PO Box 1778, Guelph, Ontario, Canada N1H 6Z9
Téléphone : (519) 837-0920 Télécopieur : (519) 837-0449

1-800-263-2629
02/18

Danby Products Inc.
PO Box 669, Findlay, Ohio, U.S.A. 45840
Téléphone : (419) 425-8627 Télécopieur : (419) 425-8629

Bienvenido

Bienvenido a la familia Danby. Estamos orgullosos de nuestros productos de calidad y creemos en un servicio confiable. Sugerimos que lea este manual del propietario antes de conectar el nuevo aparato ya que contiene información importante sobre la operación, información de seguridad, solución de problemas y consejos de mantenimiento para garantizar la fiabilidad y longevidad de su electrodoméstico.

Visite **www.Danby.com** para acceder a herramientas de autoservicio, preguntas frecuentes y mucho más. Para asistencia adicional, llame al **1-800-263-2629**.

Tenga en cuenta la información siguiente; Necesitará esta información para obtener un servicio bajo garantía.

Debe proporcionar el recibo de compra original para validar su garantía y recibir servicio.

Número de modelo: _____

Número de serie: _____

Fecha de compra: _____

Necesitas ayuda?

Antes de llamar al servicio, aquí hay algunas cosas que puede hacer para ayudarnos a servirle mejor.

Lea este manual del propietario:

Contiene instrucciones para ayudarlo a usar y mantener su aparato correctamente.

Si recibe un aparato dañado:

Inmediatamente póngase en contacto con el minorista o el constructor que le vendió el aparato.

Ahorre tiempo y dinero:

Consulte la sección de solución de problemas al final de este manual antes de llamar. Esta sección le ayudará a resolver problemas comunes que pueden ocurrir.



1-800-26- Danby
(1-800-263-2629)



Información de Seguridad Importante

LEA Y SIGA TODAS LAS INSTRUCCIONES DE SEGURIDAD

REQUERIMIENTOS DE SEGURIDAD

Este aparato no está diseñado para ser utilizado por personas (incluyendo niños) cuyas capacidades físicas, sensoriales o mentales sean diferentes o reducidas, o que carezcan de experiencia o conocimiento, a menos que dichas personas reciban supervisión o entrenamiento para operar el aparato por una persona responsable de su la seguridad.

Los niños deben ser supervisados para asegurarse de que no juegan con el aparato.

Para evitar el riesgo de descarga eléctrica, no utilice este deshumidificador en un área que pueda acumular agua estancada. Si se desarrolla esta condición, desconecte la fuente de alimentación antes de entrar en el agua.

No almacene ni utilice materiales combustibles tales como gasolina u otros vapores o líquidos inflamables cerca de este o de cualquier otro aparato.

No introduzca los dedos u otros objetos en las parrillas o aberturas del aparato.

No cubra ni bloquee las aberturas de admisión y de escape.

No opere el aparato sin el filtro instalado.

No utilice el aparato cerca de fuentes de calor.

Este aparato está destinado únicamente a aplicaciones interiores y residenciales. No utilice este deshumidificador en exteriores. No utilice este deshumidificador para aplicaciones comerciales o industriales.

INSTRUCCIONES DE CONEXION A TIERRA

Este aparato debe estar conectado a tierra. La puesta a tierra reduce el riesgo de descarga eléctrica proporcionando un cable de escape para la corriente eléctrica.

Este aparato tiene un cable que tiene un cable de conexión a tierra con un enchufe de 3 clavijas. El cable de alimentación debe estar enchufado en un tomacorriente que esté debidamente conectado a tierra. Si el tomacorriente es un tomacorriente de dos clavijas, debe ser reemplazado por un tomacorriente de 3 clavijas con conexión a tierra adecuada. La placa de características en serie indica el voltaje y la frecuencia para los que está diseñado el artefacto.

ADVERTENCIA - El uso incorrecto del enchufe de conexión a tierra puede ocasionar un riesgo de descarga eléctrica. Consulte a un electricista calificado o agente de servicio si las instrucciones de conexión a tierra no se entienden completamente o si existe duda sobre si el aparato está debidamente conectado a tierra.

No conecte el aparato a cables de extensión, adaptadores o junto con otro aparato en la misma toma de corriente.

No empalme el cable de alimentación. No corte ni extraiga en ningún caso la tercera clavija de tierra del cable de alimentación.

Si el cable de alimentación está dañado, debe ser reemplazado por el fabricante, su agente de servicio o persona calificada similar para evitar riesgos.

¡GUARDA ESTAS INSTRUCCIONES!

INSTRUCCIONES DE OPERACIÓN

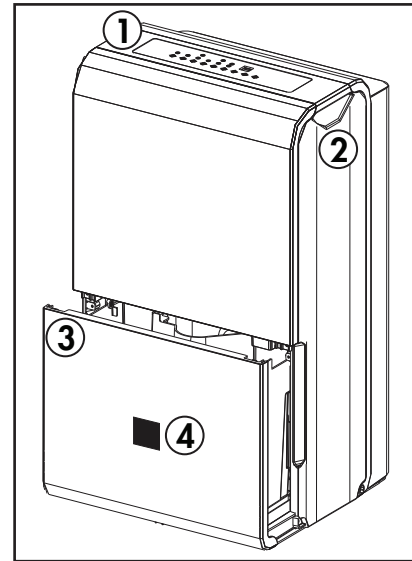
UBICACIÓN

- Coloque el deshumidificador en un piso liso y nivelado que sea lo suficientemente fuerte para sostener el aparato con un cubo lleno de agua.
- Para mantener la eficiencia, haga funcionar el aparato en un lugar cerrado. Mantenga las puertas y ventanas cercanas cerradas.
- Mantenga un espacio libre mínimo de 20 cm (8 pulgadas) en los lados y la parte posterior del aparato y 40 cm (16 pulgadas) en la parte superior y frontal del aparato para permitir una circulación de aire adecuada.
- La temperatura ambiente de funcionamiento recomendada es entre 5°C (41°F) y 32°C (90°F).
- No fuerce los rodillos para moverse sobre alfombras ya que el aparato puede volcarse y derramar agua.
- Siempre que se coloque el aparato en la parte posterior o lateral, se debe permitir que se mantenga erguido durante 6 horas antes de enchufarlo para evitar daños a los componentes internos.
- El conector de la manguera de drenaje se puede encontrar dentro del cucharón. La manguera de drenaje está unida al costado del aparato.

CARACTERÍSTICAS

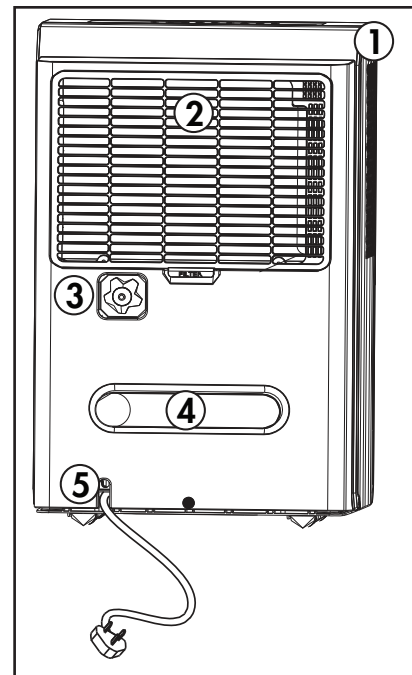
Frente

1. Panel de control
2. Manijas (ambos lados)
3. Cubo de agua
4. Indicador de nivel de agua



Espalda

1. Salida de aire
2. Filtro de aire
3. Salida de drenaje continua
4. Banda de almacenamiento del cable de alimentación
5. Cable de alimentación



INSTRUCCIONES DE OPERACIÓN

PANEL DE CONTROL

1. Luz indicadora de descongelación

- La luz indicadora de descongelación se ilumina cuando se ha acumulado escarcha en el interior del aparato. Esto puede indicar que la temperatura ambiente es demasiado fría. La función de deshumidificación cesará hasta que se derrita la helada.

2. Luz indicadora de cubo completo

- La luz indicadora de cubo completo se iluminará cuando el cubo esté lleno de agua. Vacíe el cubo para reanudar el funcionamiento normal.

3. Pantalla

- La pantalla mostrará la humedad ajustada, la humedad ambiente o la función del temporizador.
- La humedad se puede ajustar entre 35-85% en incrementos del 5%. Para un aire más seco, ajuste la humedad a un número más bajo. Para el aire del amortiguador, ajuste la humedad a un número más alto.
- La visualización de la humedad ambiental es precisa dentro de +/-5%.

4. Botón de la bomba y luz indicadora

- Utilice este botón para activar la bomba de drenaje. La luz indicadora se iluminará cuando la bomba esté activa.

5. Botón de deshumidificación inteligente y luz indicadora

- Utilice este botón para activar el modo de deshumidificación inteligente. El modo de deshumidificación inteligente ajustará automáticamente la velocidad de la humedad y del ventilador en función de la temperatura ambiente y la humedad. La luz indicadora se iluminará cuando el deshumidificador inteligente esté activo.

6. Botón del filtro y luz indicadora

- La luz del filtro se iluminará cuando el filtro necesite ser limpiado. Presione el botón del filtro una vez que el filtro ha sido limpiado para volver al funcionamiento normal.

7. Botón de modo continuo y luz indicadora

- Pulse este botón para activar el modo continuo. Esto ejecutará la función de deshumidificación continuamente. La luz indicadora se encenderá cuando el modo continuo esté activo.

8. Botón del ventilador y luz indicadora

- Presione este botón para ajustar la velocidad del ventilador a baja o alta. Si el indicador luminoso está apagado, el ventilador está ajustado a baja velocidad. Si el indicador luminoso está encendido, el ventilador se ajusta a alta velocidad.

9. Botón del temporizador y luz indicadora

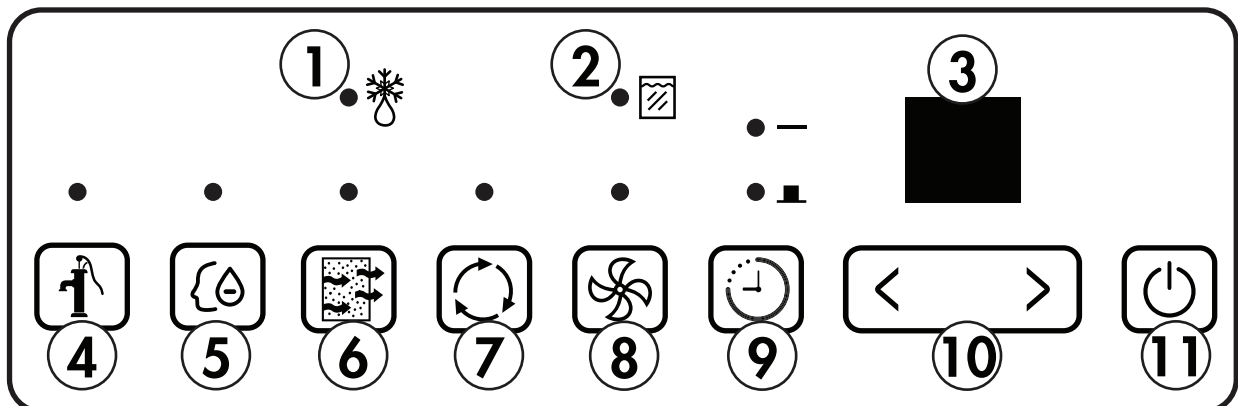
- Utilice este botón para ajustar la función del temporizador.

10. Flechas arriba y abajo

- Las flechas arriba y abajo pueden ajustar la humedad ajustada o el ajuste del temporizador.

11. Botón de encendido

- Utilice este botón para encender o apagar el aparato.



INSTRUCCIONES DE OPERACIÓN

FUNCIÓN DEL TEMPORIZADOR

Función encendido automático

1. Pulse el botón del temporizador hasta que se ilumine la luz indicadora de encendido automático.
2. Utilice las flechas arriba y abajo para seleccionar la cantidad de tiempo deseada antes de encender el aparato. Las flechas hacia arriba y hacia abajo sumarán o restarán 30 minutos de tiempo hasta 10 horas, luego a incrementos de 1 hora hasta un máximo de 24 horas.
3. La hora seleccionada aparecerá en el panel de visualización y contará hasta que el aparato se encienda.

Función de apagado automático

1. Presione el botón del temporizador hasta que se ilumine el indicador de apagado automático.
2. Utilice las flechas arriba y abajo para seleccionar la cantidad de tiempo deseada antes de encender el aparato. Las flechas hacia arriba y hacia abajo sumarán o restarán 30 minutos de tiempo hasta 10 horas, luego a incrementos de 1 hora hasta un máximo de 24 horas.
3. El tiempo seleccionado aparecerá en el panel de visualización y contará hasta que el aparato se apague.

Uso automático de encendido y apagado simultáneamente

Las funciones de encendido automático y apagado automático se pueden utilizar al mismo tiempo, ajustando primero una y luego la otra. Ambas luces indicadoras se iluminarán y la pantalla contará hasta que el aparato se apague o se encienda, sea cual sea la función que haya sido configurada en primer lugar.

Nota: El temporizador no encenderá y apagará el aparato indefinidamente. Los temporizadores auto on y auto off funcionarán una vez y luego el aparato volverá a su funcionamiento normal.

Apagando el aparato, presionando el botón por defecto del mando a distancia o desenchufando el aparato se borrarán todos los ajustes de memoria, incluido el temporizador.

REMOCION DE AGUA

Hay dos formas de eliminar el agua recogida del aparato.

1. Cubo de agua

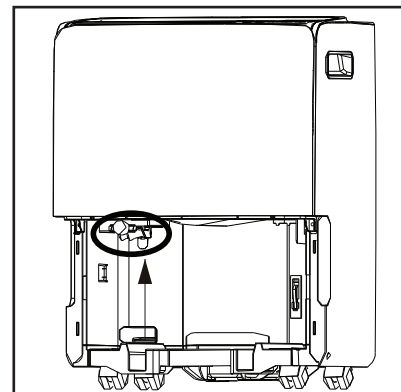
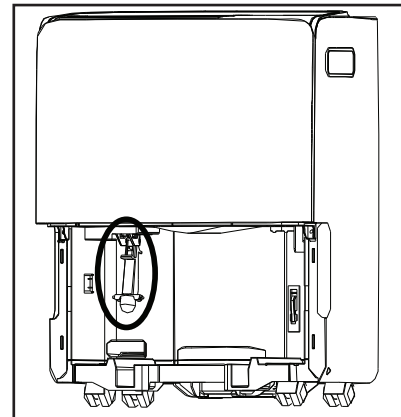
El deshumidificador automáticamente recogerá agua condensada en el cubo de agua. Cuando el cubo esté lleno, el compresor y el ventilador se apagarán y la luz indicadora de cubo completo se encenderá.

Para vaciar el cubo, retírelo suavemente del aparato apretando ambos lados y tirando hacia afuera. Tenga cuidado al retirar el cubo, estará lleno y puede ser pesado.

No coloque el cubo de agua directamente en el suelo. El fondo del cubo es desigual y se caerá y derramará el agua.

Vacíe el cubo y vuelva a colocarlo en el aparato. El deshumidificador no funcionará sin el cubo instalado.

Nota: Al retirar el cubo, el brazo de la bomba de drenaje puede caerse. Debe empujar suavemente hacia arriba de nuevo en la posición correcta antes de reemplazar el cubo.



INSTRUCCIONES DE OPERACIÓN

REMOCION DE AGUA

2. Drenaje Continuo

Se puede eliminar el agua del aparato utilizando el conector de drenaje continuo y la manguera de drenaje provista.

Antes de usar cualquier función de drenaje automático, verifique que todos los puertos de drenaje estén limpios y libres de desechos. Hay un puerto de drenaje dentro del compartimiento del balde del aparato, retire el balde para verlo. Hay un puerto de drenaje en la parte posterior del aparato donde se conecta la manguera de drenaje. Todos los puertos de drenaje deben limpiarse con un limpiador de tuberías antes de su uso.

Nota: No limpie los puertos de drenaje con nada más rígido que un limpiador de tuberías, ya que esto puede dañar el aparato.

Nota: Si los puertos de drenaje están obstruidos o sucios, puede causar fugas de agua desde la parte inferior del aparato.

Retire la cubierta de la salida de drenaje continua y conecte el conector de drenaje provisto que se envía dentro del cubo de agua. Conecte la manguera de drenaje provista al conector de desagüe y dirija el otro extremo de la manguera de desagüe a un balde o drenaje de piso.

Asegúrese de que la manguera de drenaje no esté doblada y vaya directamente hacia abajo desde la parte posterior del aparato. El drenaje continuo solo se activa por gravedad, por lo que cualquier curvatura o movimiento ascendente en la manguera detendrá el drenaje del agua.

La manguera de drenaje mide 2 m (6.6 pies) de largo. No conecte esta manguera de drenaje junto con ninguna otra manguera. Si la manguera de drenaje es demasiado larga, es posible que el agua no se drene por completo, lo que puede provocar la acumulación de agua estancada y moho dentro de la manguera.

Nota: Cuando la temperatura ambiente es más alta que la temperatura del agua dentro de la manguera de drenaje, puede aparecer condensación en el exterior de la manguera de drenaje. Esto es normal.

REMOCION DE AGUA

3. Drenaje de la bomba

Si el drenaje continuo es inconveniente, el agua puede ser retirada del aparato usando el drenaje de la bomba.

Al utilizar la bomba, el aparato primero llenará el cubo de agua y luego el brazo de la bomba bombeará agua del cubo a través del drenaje y hacia fuera de la manguera.

Retire la cubierta de la salida de drenaje de la bomba y coloque la manguera de desagüe suministrada. Dirija el otro extremo de la manguera a un desagüe. Presione el botón de la bomba para activar la función de la bomba. Cuando el cubo está lleno, la bomba comenzará a trabajar.

Asegúrese de que la manguera de desagüe no esté doblada, esto puede impedir que el agua se drene correctamente y sobrecargar la bomba.

No conecte la manguera suministrada junto con otra manguera. La longitud máxima de la manguera de drenaje de la bomba no debe ser mayor de 4,6 m (15 pies). Si la manguera de drenaje es demasiado larga, el agua puede no drenarse por completo, lo que puede provocar que el agua estancada y el moho se acumulen dentro de la manguera.

Cuando se utiliza el drenaje de la bomba, el cubo de agua debe vaciarse cada pocos días para asegurarse de que el agua en el cubo no se estanca o crecen el moho.

CUIDADO Y MANTENIMIENTO

FILTRO DE AIRE

El filtro de aire debe limpiarse aproximadamente cada 2 semanas. El filtro de aire puede requerir una limpieza más frecuente si hay caspa o pelaje en el aire.

Aproximadamente cada dos semanas, la luz indicadora del filtro en el panel de control se iluminará como un recordatorio para limpiar el filtro. Siga los pasos que se indican a continuación para limpiar el filtro y volver a ponerlo en funcionamiento normal.

1. El filtro de aire se encuentra detrás de la rejilla de admisión trasera. Para quitar el filtro de aire, sujete la lengüeta del filtro en la parte inferior de la parrilla y deslícela hacia abajo.
2. Utilice una aspiradora con un accesorio de cepillo suave para eliminar los residuos grandes o acumulación de polvo del filtro de aire.
3. Lave el filtro en agua jabonosa tibia, por debajo de 40°C (104°F), o use un agente de limpieza neutro.
4. Enjuague el filtro con agua limpia y séquelo completamente antes de volver a instalarlo en el aparato.
5. Pulse el botón de filtro en el panel de control para reanudar el funcionamiento normal.

Nota: No utilice el aparato sin el filtro de aire instalado.

CÓDIGOS DE ERROR

Si el panel de visualización muestra alguno de los siguientes códigos de error, desenchufe el aparato, deje reposar durante 5-10 minutos y vuelva a enchufarlo. Si el error persiste, llame al servicio técnico.

AS - Error del sensor de humedad

ES - Error del sensor de temperatura

P2 - Cubo completo

E3 - Funcionamiento incorrecto del sensor

Eb - El cucharón quitado o no en la posición correcta

LIMPIEZA

Para evitar posibles descargas eléctricas, asegúrese de que el aparato esté desenchufado antes de realizar cualquier limpieza o mantenimiento.

El exterior del aparato se puede limpiar con un paño suave o con un paño tibio y húmedo si es necesario.

No utilice gasolina, benceno, diluyente o cualquier otro producto químico para limpiar este aparato ya que estas sustancias pueden dañar el acabado y la deformación de las piezas de plástico.

Nunca vierta agua directamente sobre el aparato ya que esto causará el deterioro de los componentes eléctricos y el aislamiento del cableado.

Asegúrese de que los puertos de drenaje en el interior del artefacto y los puertos de drenaje en la parte posterior del electrodoméstico estén libres de suciedad y acumulación de calcio.

CUIDADO PARA EL FINAL DE LA TEMPORADA

Asegúrese de que el interior del aparato esté seco antes de guardarlo fuera de temporada para ayudar a evitar el crecimiento de moho o hongos. Asegúrese de que el filtro esté limpio y seco. Guarde el aparato cubierto en un lugar seco.

DISPOSICIÓN

Este aparato no puede ser tratado como un residuo doméstico normal, sino que debe ser llevado al punto de recogida de residuos apropiado para el reciclaje de componentes eléctricos. Compruebe la conformidad reglamentaria local con respecto a la eliminación aprobada y segura de este aparato.

SOLUCIÓN DE PROBLEMAS

Danby cuidado del consumidor: 1-800-263-2629

Horas de operación:

Lunes a Jueves 8:30 am - 6:00 pm Hora estándar del este

Viernes 8:30 am - 4:00 pm Hora estándar del este

La información de este manual está sujeta a cambios sin previo aviso.

PROBLEMA	CAUSA POSIBLE
El aparato no funcionará	<ul style="list-style-type: none">• El enchufe no está completamente insertado en la toma de corriente de la pared• Fusible fundido o disyuntor• La humedad ambiente es menor que la humedad ajustada• El cubo está lleno o no está en la posición correcta
Insuficiente deshumidificación	<ul style="list-style-type: none">• El filtro de aire está sucio• Flujo de aire bloqueado• El tamaño del dispositivo es demasiado pequeño para la aplicación• La humedad ambiente es menor que la humedad ajustada
Ruido	<ul style="list-style-type: none">• El filtro de aire está sucio• El cucharón no está en la posición adecuada• Superficie del piso no nivelada
Olores	<ul style="list-style-type: none">• Formación de moho o moho en superficies mojadas internas• Coloque una tableta algicida en el cubo de agua
Agua en el piso	<ul style="list-style-type: none">• La conexión de la manguera está suelta• Se ha quitado la tapa del drenaje
Acumulación de escarcha	<ul style="list-style-type: none">• Cuando la temperatura ambiente es inferior a 5°C (41°F) puede formarse escarcha• Cambie el aparato al modo ventilador sólo hasta que se derrita el hielo

GARANTÍA LIMITADA "ACARREADO SOLAMENTE"

Este producto de calidad está garantizado contra defectos de fabricación, incluyendo partes y mano de obra, siempre y cuando la unidad se utilice bajo las condiciones normales de funcionamiento para las que fue diseñado.

Esta garantía está solamente disponible para la persona que haya comprado originalmente esta unidad directamente de Danby Products Limited (Canada) o Danby Products Inc. (U.S.A.) (en adelante "Danby") o uno de sus distribuidores autorizados, y no es transferible.

CONDICIONES DE LA GARANTÍA

Las piezas plásticas, se autorizan por treinta (30) días solamente a partir de la fecha de la compra, sin las extensiones proporcionadas.

Primeros 24 meses Durante los primeros **veinticuatro (24) meses**, cualquier parte en buen estado de este producto que resulte defectuosa, incluyendo cualquier sistema sellado, será reparado o reemplazado, a opción del fabricante, sin cargo para el comprador original.

Para obtener servicio Póngase en contacto con el distribuidor donde adquirió el electrodoméstico o póngase en contacto con el centro de servicio autorizado más cercano de Danby, donde el servicio debe ser realizado por un técnico cualificado. Si el servicio es realizado por cualquier persona que no sea un depósito de servicio autorizado, todas las obligaciones de Danby bajo esta garantía serán nulas.

Es responsabilidad del comprador transportar el aparato al centro de servicio autorizado más cercano.

Los cargos de transporte desde y hacia el lugar de servicio no están protegidos por esta garantía y son responsabilidad del comprador.

Nada dentro de esta garantía implica que Danby será responsable por cualquier daño que hayan sufrido los alimentos u otros contenidos de este aparato, ya sea debido a un defecto del aparato, o su uso, adecuado o inadecuado.

EXCLUSIONES

Salvo lo aquí indicado por Danby, no existen otras garantías, condiciones o representaciones, explícitas o implícitas, concretas o intencionales por parte de Danby o sus distribuidores autorizados y todas las demás garantías, condiciones o representaciones, incluyendo cualquier garantía, condiciones o representaciones bajo cualquier Acta de Venta de Productos o legislación o estatuto similar, quedan de esta forma expresamente excluidas. **Salvo lo aquí indicado, Danby no serán responsables por ningún daño a personas o bienes, incluyendo la propia unidad, sin importar su causa, o de ningún daño indirecto causado por el desperfecto de la unidad, y al comprar esta unidad, el comprador acepta por la presente, indemnizar y proteger a Danby contra cualquier reclamo por daños a personas o bienes causados por la unidad.**

CONDICIONES GENERALES

No se considerará ninguna de estas garantías o seguros cuando el daño o la necesidad de reparación sea el producto de los siguientes casos:

- 1) Falla del suministro eléctrico.
- 2) Daños en tránsito o durante el transporte de la unidad.
- 3) Alimentación incorrecta, como bajo voltaje, instalación eléctrica defectuosa o fusibles inadecuados.
- 4) Accidente, modificación, abuso o uso incorrecto del artefacto, tal como insuficiente ventilación del ambiente o condiciones de operación anormales (temperatura ambiente extremadamente alta o baja).
- 5) Utilización comercial o industrial (v.g., si el electrodoméstico no está instalado en una vivienda particular).
- 6) Incendio, daños por agua, robo, guerra, disturbios, hostilidades, actos de fuerza mayor como huracanes, inundaciones, etc.
- 7) Pedidos de servicio debido a desinformación del usuario.
- 8) Instalación inadecuada (v.g., instalación de un electrodoméstico independiente o uso de un aparato al aire libre que no esté aprobado para aplicaciones en exteriores, incluyendo pero no limitado a: garajes, patios, porches o cualquier lugar que no esté bien aislado o controlado por el clima).

Se requerirá una prueba de la fecha de compra para reclamaciones de garantía; conservar las facturas de venta. En el caso de que se requiera servicio de garantía, presente el comprobante de compra a nuestro depósito de servicio autorizado.

Servicio de Garantía
Acarreado Solamente

Danby Products Limited
PO Box 1778, Guelph, Ontario, Canada N1H 6Z9
Telephone: (519) 837-0920 FAX: (519) 837-0449

1-800-263-2629
04/17

Danby Products Inc.
PO Box 669, Findlay, Ohio, U.S.A. 45840
Telephone: (419) 425-8627 FAX: (419) 425-8629



MODEL • MODÈLE • MODELO

**DDR050BJPWDB
DDR050BJPWDB-6**