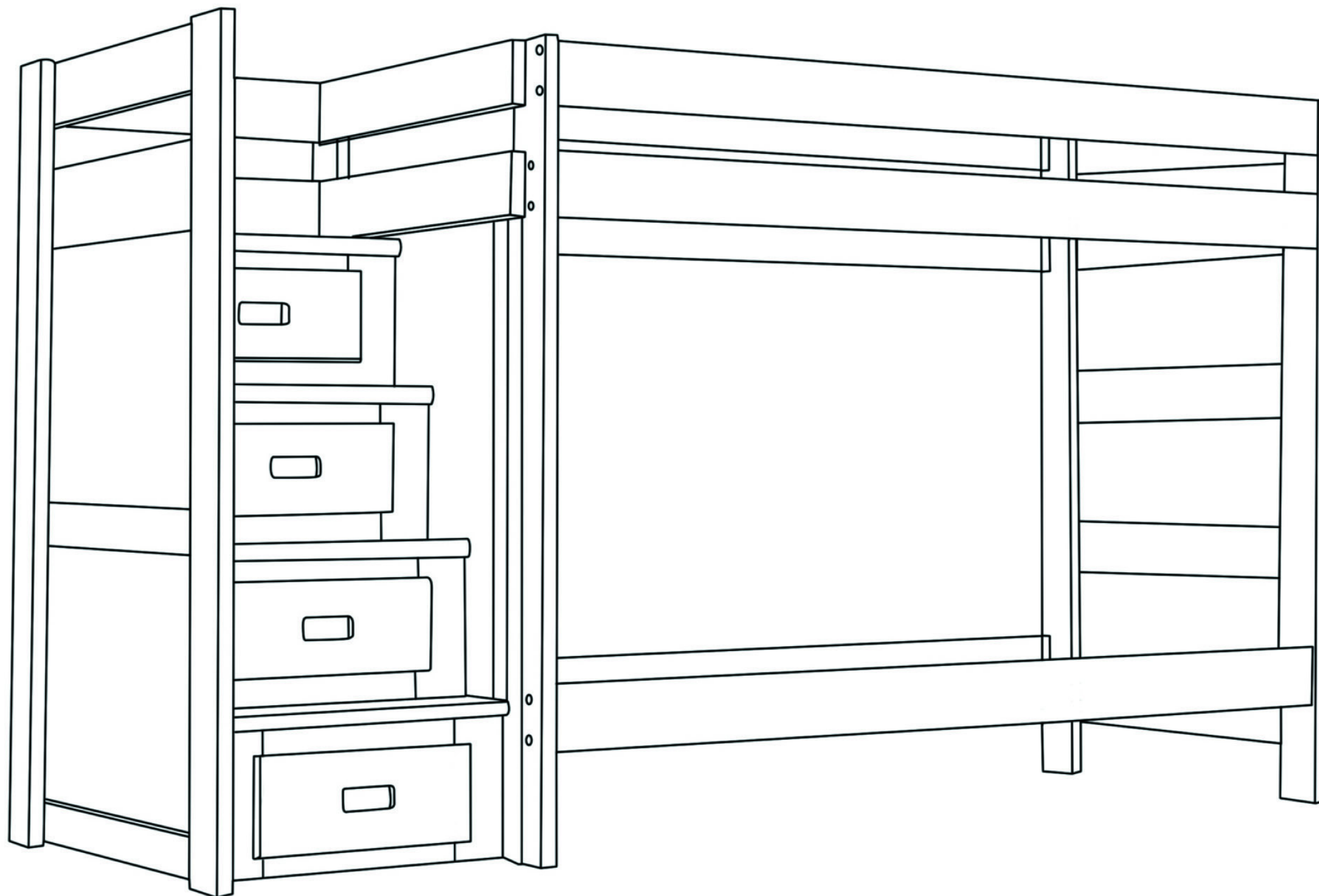




# Assembly Instructions



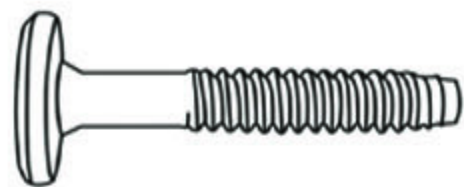
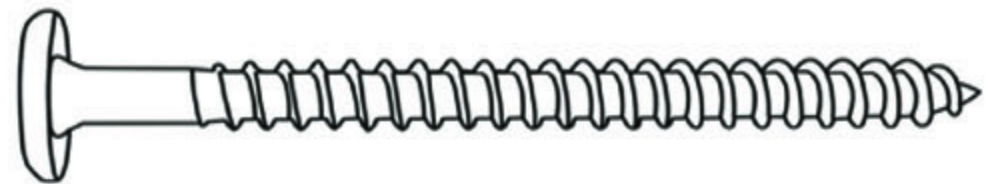

For more information contact us at: [sales@pinecrafter.com](mailto:sales@pinecrafter.com)

## #011, #411 and #411A



Slat kit sold separately. This product requires a bunkie board or a bunkie board combo mattress.

### HARDWARE

- A  **Screw x12**
- B  **Bolt x16**
- C  **Bolt x16**
- D  **Screw x8**
- E  **Allen Wrench x1**

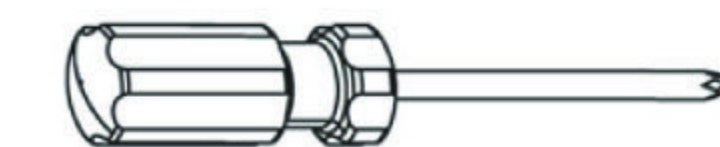
### Tools Required For Assembly:

Allen Wrench



(Included)

Phillips Screwdriver



(Not Included)

Power Drill  
(Recommended)



(Not Included)



2 Person Recommended



## ⚠ WARNING ⚠

To help prevent serious or fatal injuries from entrapment or falls:

\*Read & follow the information on the WARNING shown on the end structure of the upper bunk or on the carton.

\***DO NOT** remove the warning label from the bed.

\*Keep these instructions for future reference.

\*Use only a mattress meeting the following specifications on all upper and lower bunks.

Bed Type	Width	Length	I	Bed Type	Width	Length
Standard Twin	37½"-38½"	74"-75"	I	XL Twin	37½"-38½"	79"-80"
Standard Full	52½"-53½"	74"-75"	I	XL Full	52½"-53½"	79"-80"

\*Total thickness of both mattress and foundation combined **MUST NOT EXCEED 6"** for all top and bottom bunks.

\*Surface of mattress must be at least 5 inches (127mm) below the upper edge of guardrails.

\*The **MAXIMUM** weight capacity for the upper bunk is not to exceed 250 lbs.

\***DO NOT** allow children under 6 years of age to use upper bunk.

\*Periodically check and ensure that the guardrails, ladder, handle and other components are in their proper position, free from damage and that all connectors are tightened and secure.

\***DO NOT** allow horseplay, rough playing or jumping on the beds and do not allow playing or hiding under the beds.

\*Always use the ladder for entering or leaving the upper bunk.

\***DO NOT** use substitute parts. Contact the manufacturer or dealer for replacement parts.

\*Use of a nightlight may provide added safety precaution for a person using the upper bunk.

\*Always use the guardrails on both sides of the upper bunk.

\*If the bunk bed will be placed next to a wall, the guardrails that run the full length of the bed should be placed against the wall to prevent entrapment between the bed and the wall.

\*The use of water or sleep flotation mattresses is prohibited.

\*No more than one person is allowed on the upper bunk at a time.

**STRANGULATION HAZARD:** Never attach or hang objects to any part of the bed that are not designed for use with the bed. Objects such as hangers, hooks, belts, bags, ropes, string, etc. should not be used on or around the bunk bed.

**DO NOT REMOVE THIS LABEL**

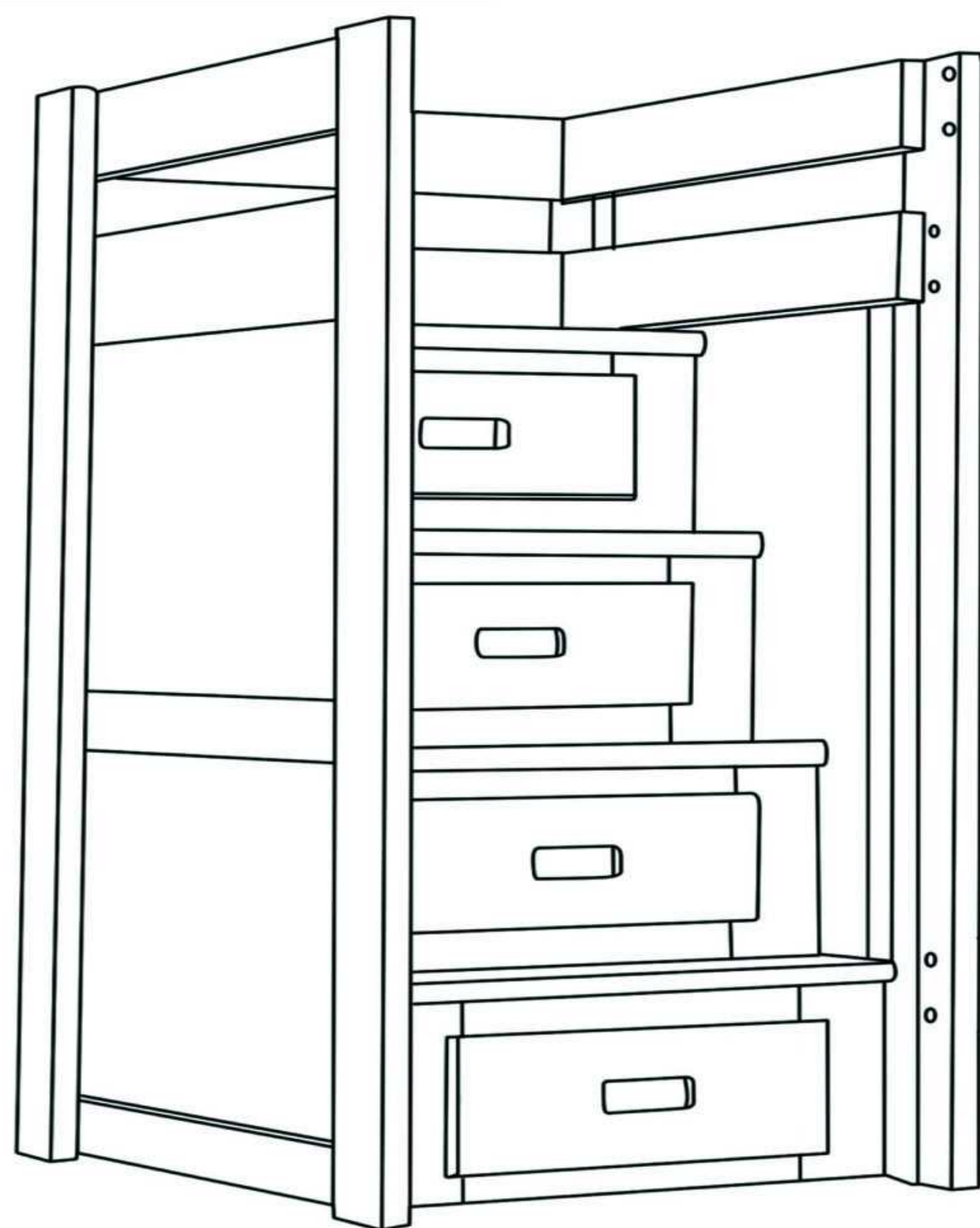
### Replacement Parts

Replacement parts, including additional guardrails, may be obtained from Pine Crafter Furniture.

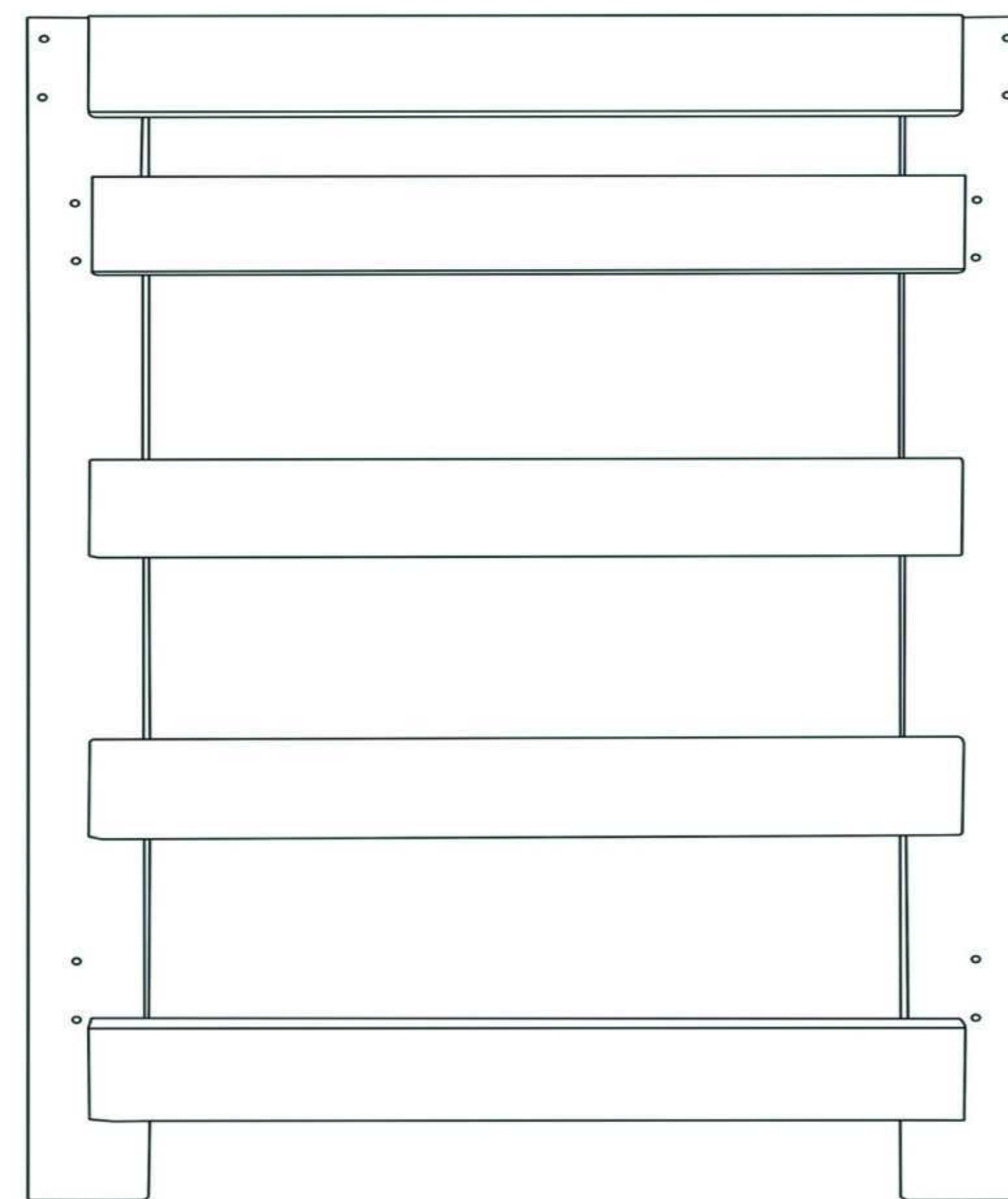
### Pine Crafter Furniture

P.O. Box 1100  
Haleyville, AL 35565  
Phone: 205-486-2153

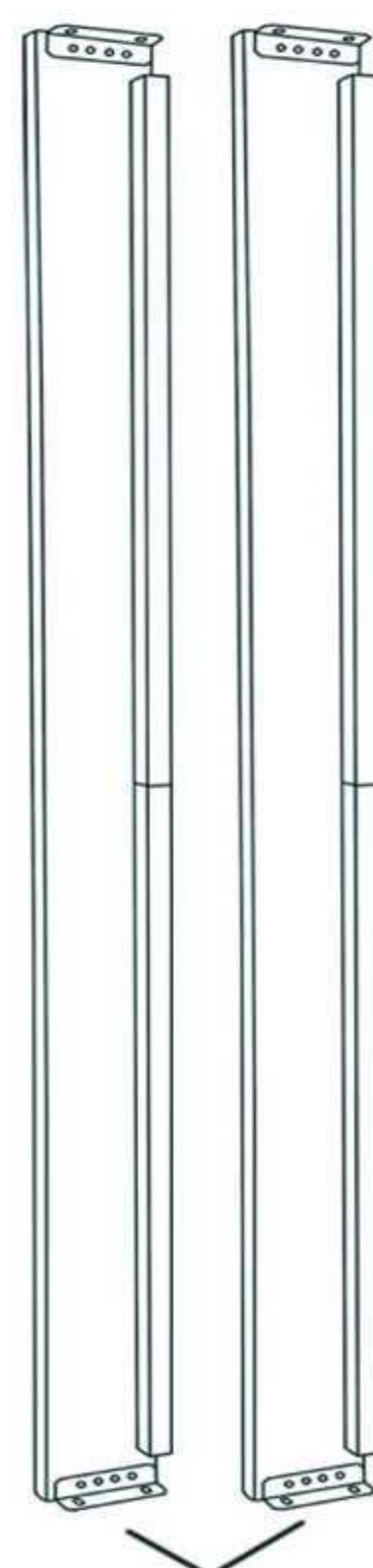
## PARTS



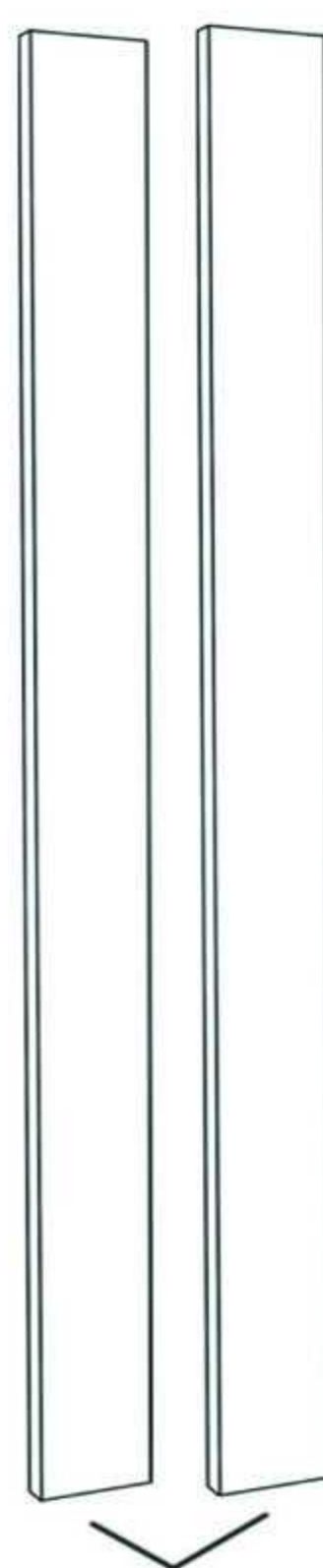
Box 1 - Staircase Headboard w/ Drawers x1



Box 2 - Footboard x1

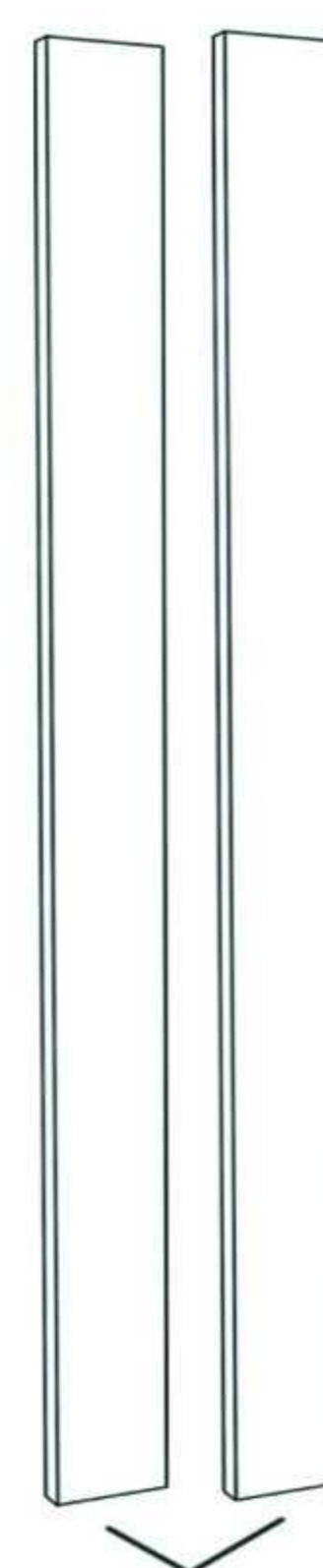


Side Rails x2



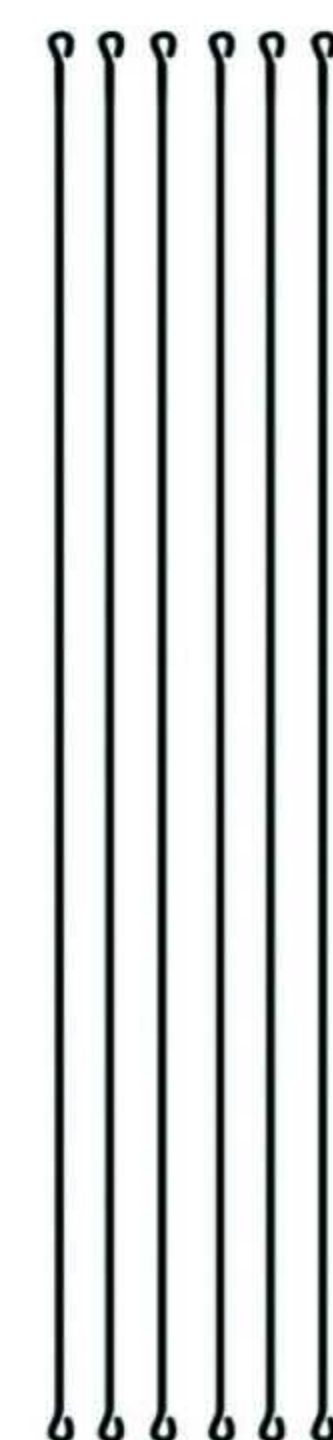
Guard Rails x2

Box 3 - Top Rails x4



Guard Rails x2

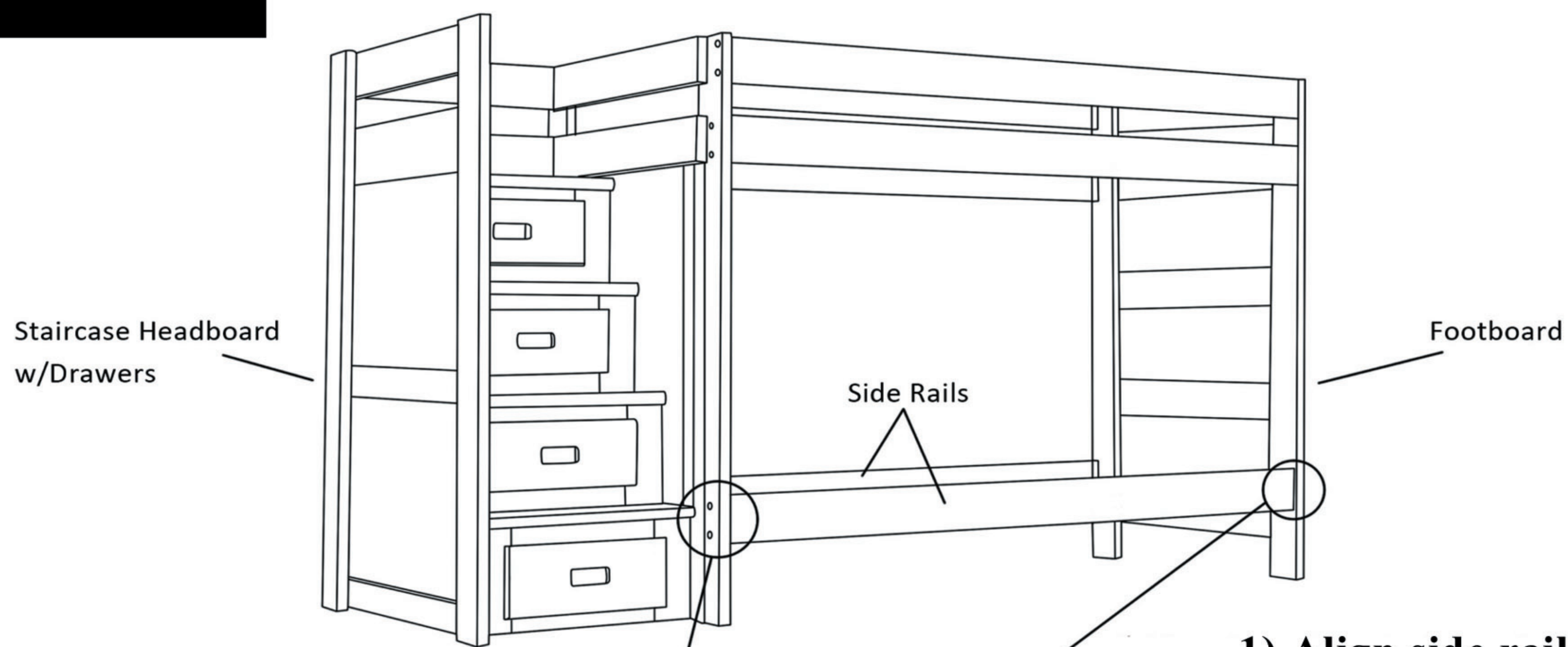
Box 4 - Bottom Rails x2



WIRES x6

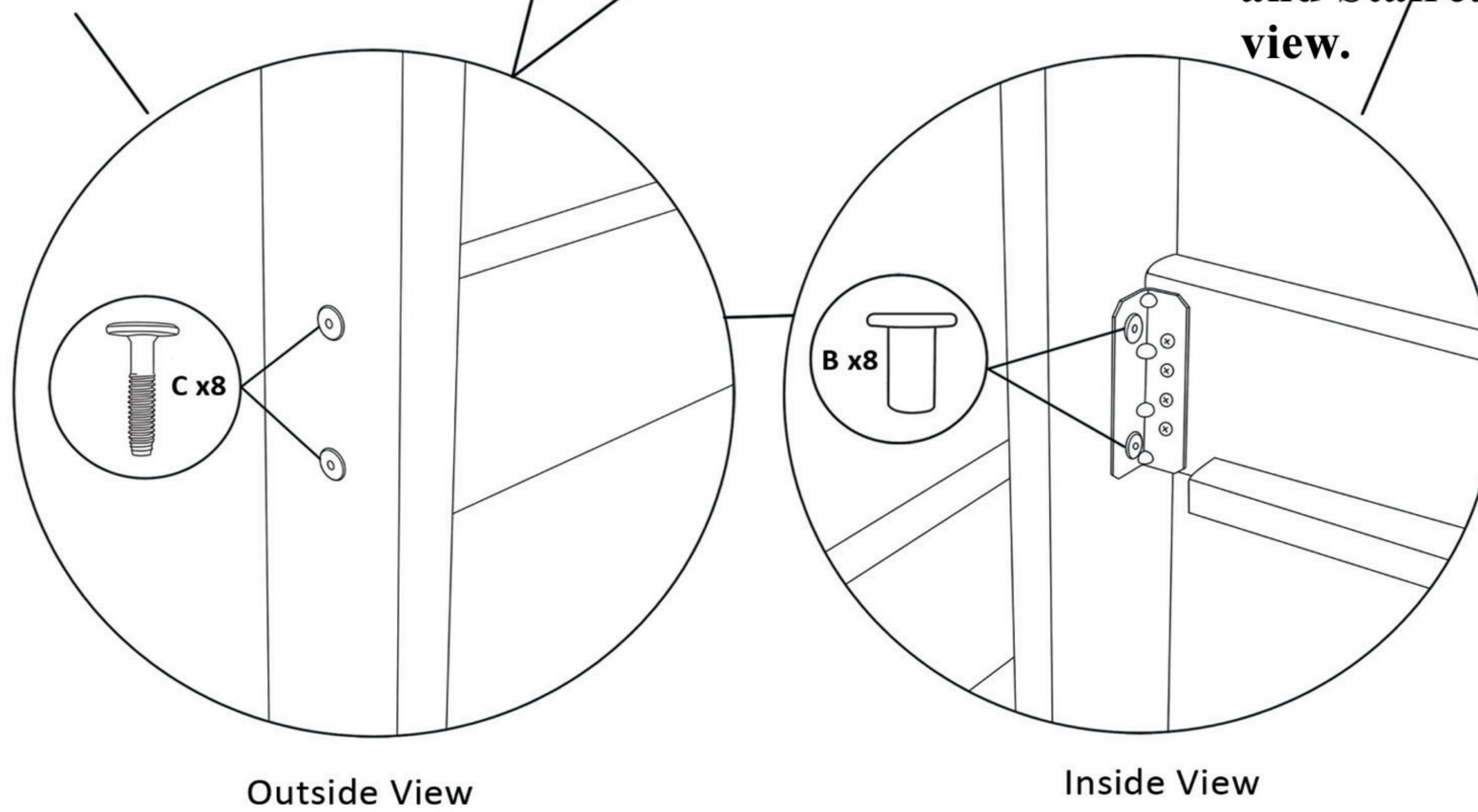


# STEP 1



2) Secure bolts (#B) into side rails and Twin Footboard, and staircase headboard by using bolt (#C) from the outside view.

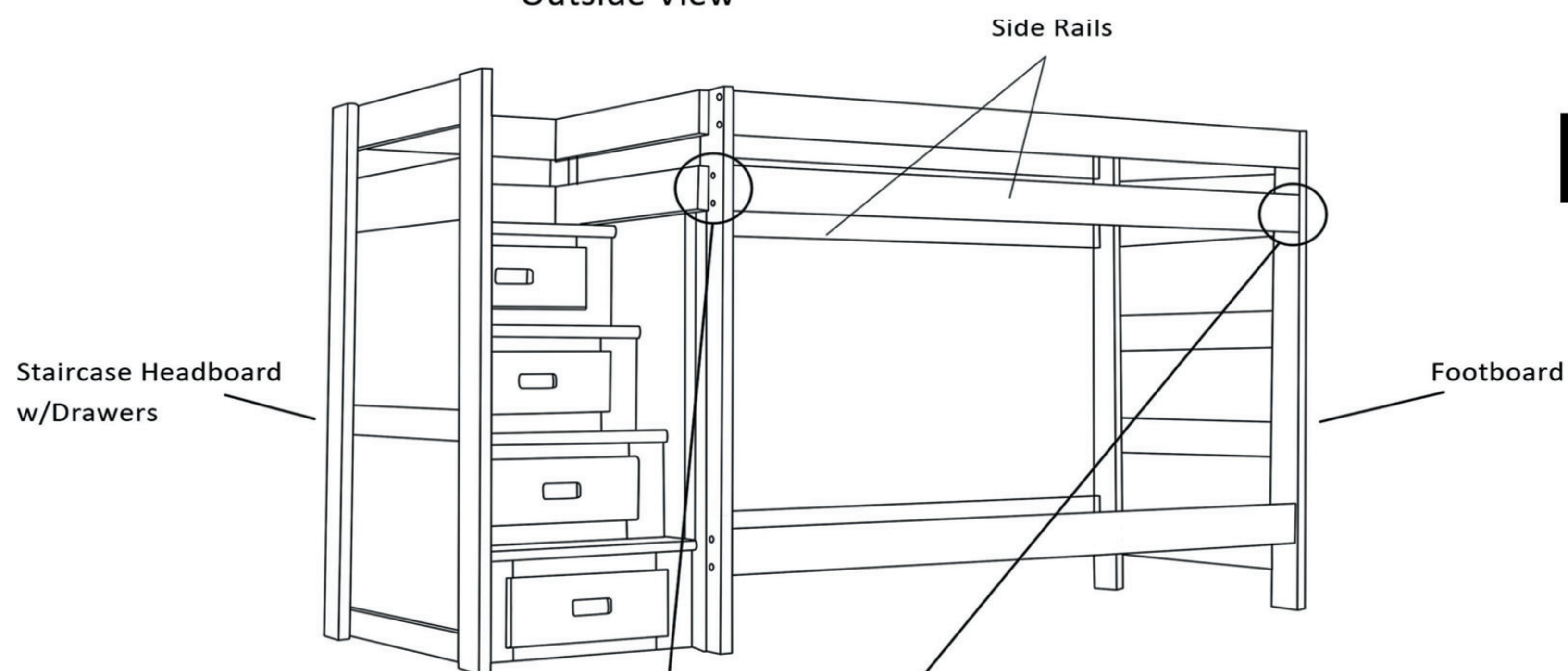
1) Align side rails to the holes of the Twin Footboard and Staircase Headboard w/Drawers as indicated in the diagram. Insert bolts (#B) to the holes of the side rails connecting to the Twin Footboard and Staircase Headboard from the inside view.



Outside View

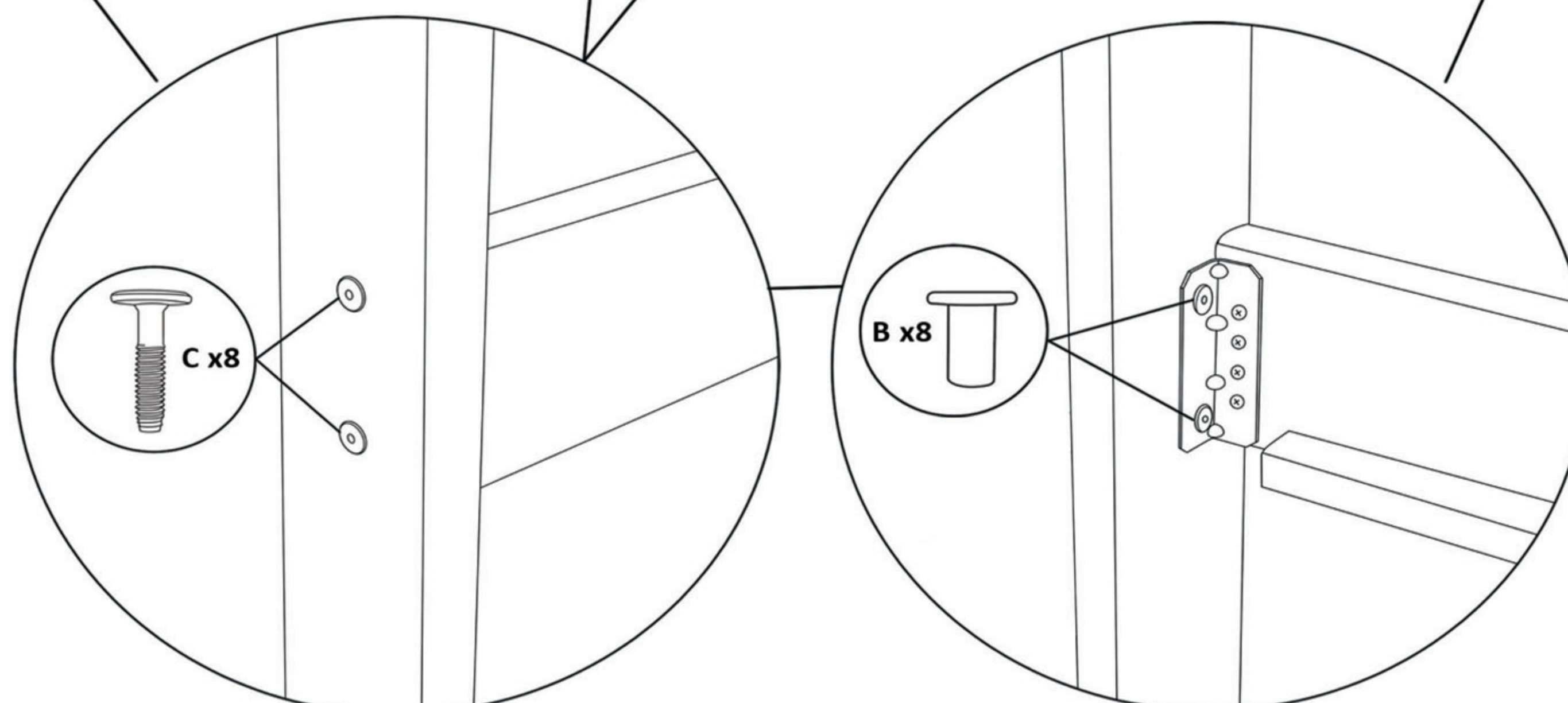
Inside View

# STEP 2



2) Secure bolts (#B) into side rails and Twin Footboard, and staircase headboard by using bolt (#C) from the outside view.

1) Align side rails to the holes of the Twin Footboard and Staircase Headboard w/ Drawers as indicated in the diagram. Insert bolts (#B) to the holes of the side rails connecting to the Twin Footboard and Staircase Headboard from the inside view.

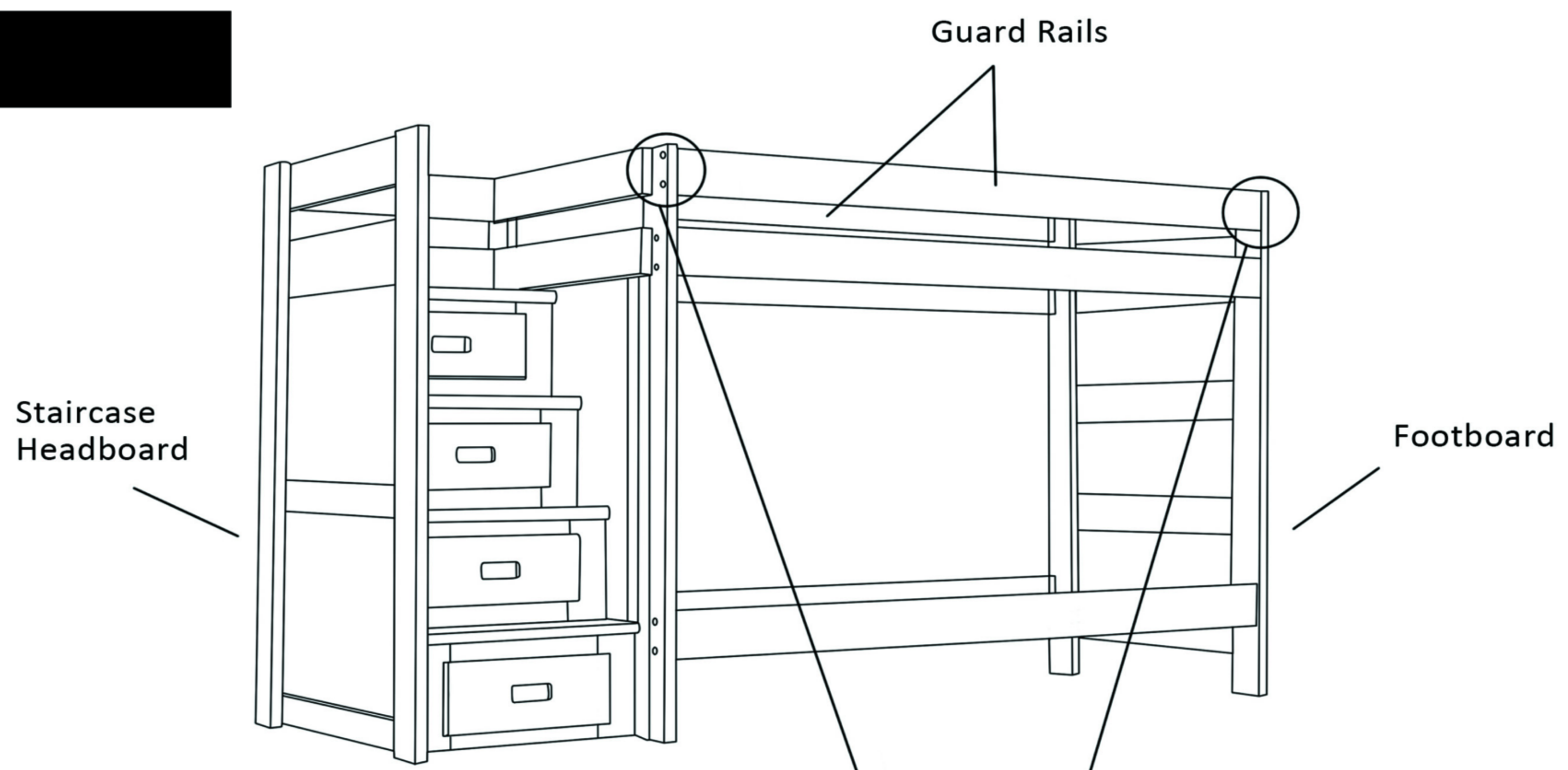


Outside View

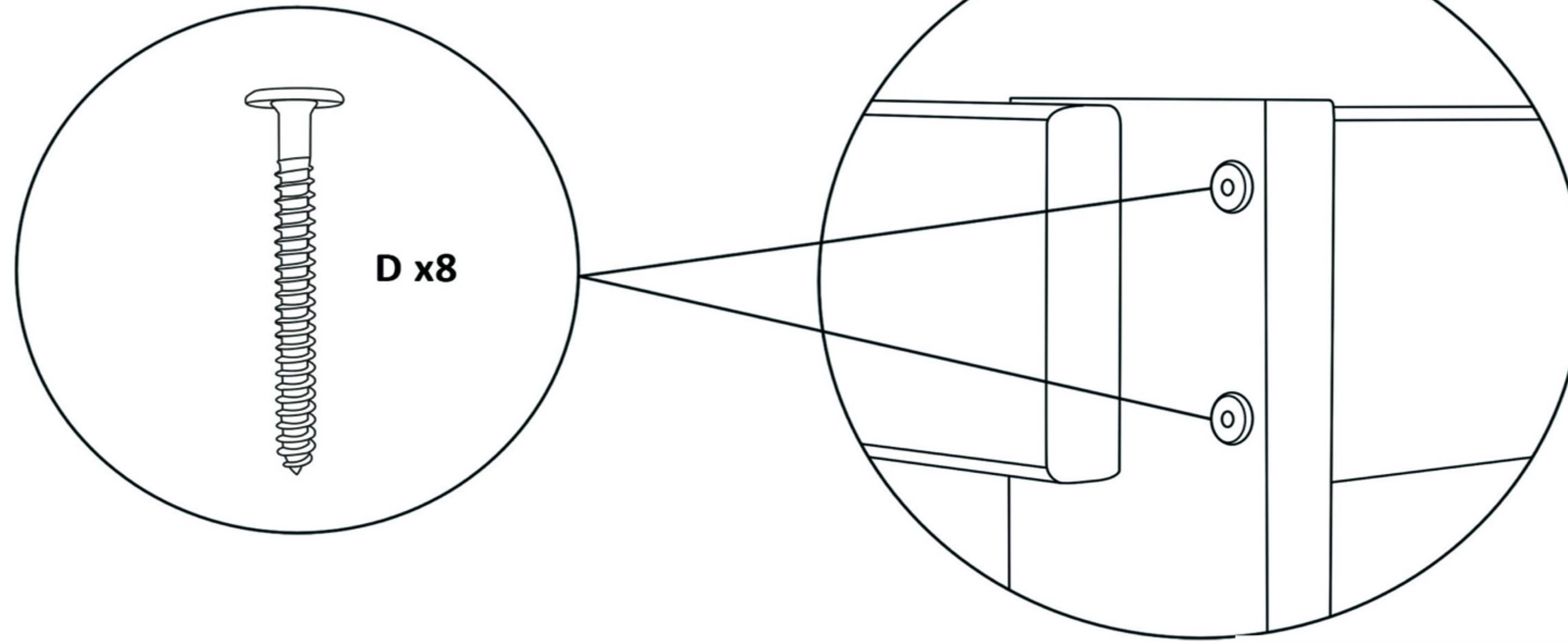
Inside View



**STEP 3**

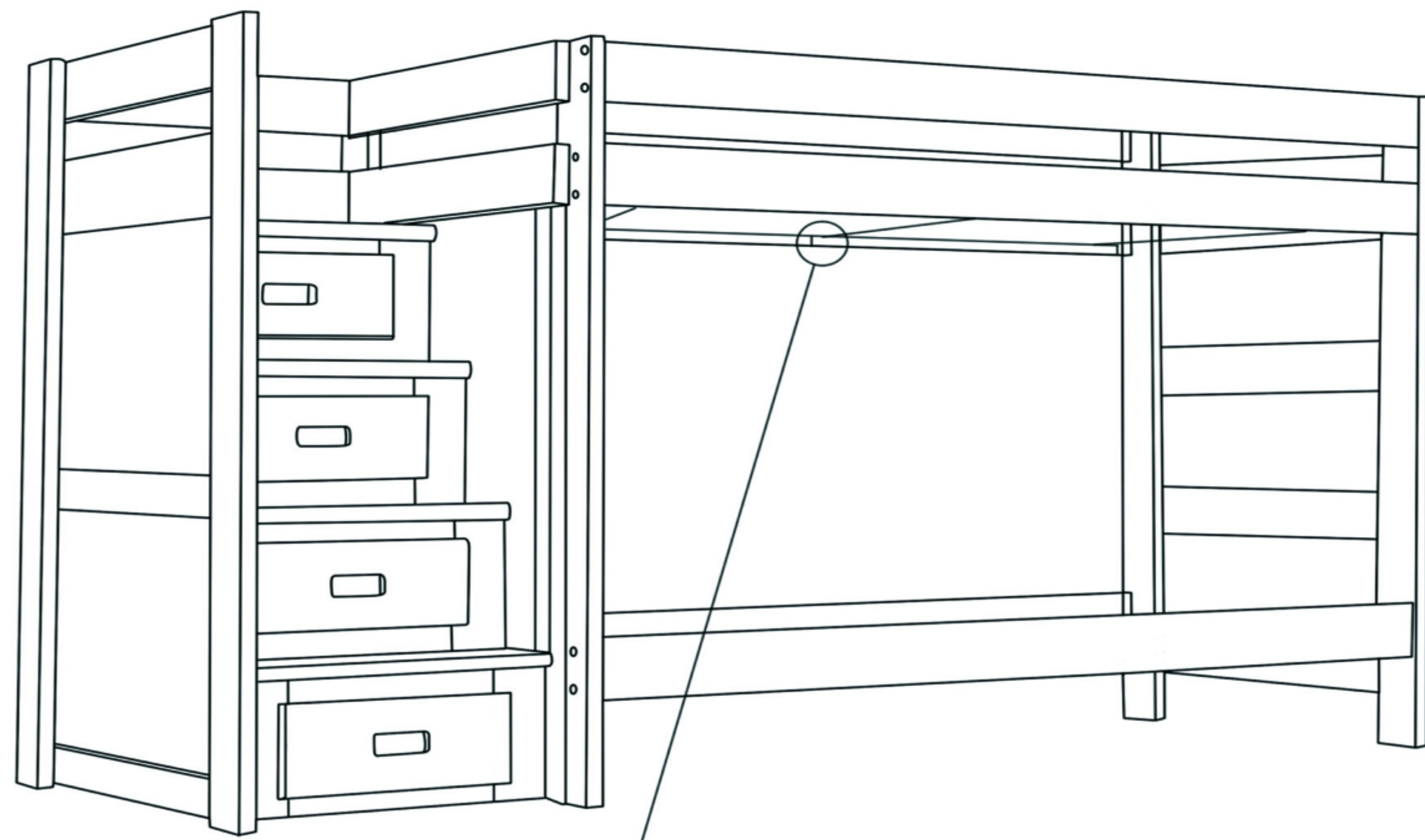


**Align two guardrails to the holes of Staircase Headboard and Twin Headboard then secure by using screws (#D).**



**STEP 4**

Caution: Please ensure all bolts and screws are fully tightened before use of product.



**Align 3 wires 12" from each end and center on all top and bottom bunks. Then, secure screws (#A) as shown in the diagram.**

