





**PARTS LIST / LISTE DES PIÈCES / LISTA DE PIEZA**

**ITEM / NO D'ARTICLE / ARTICULO NO.: S079 - 050**

**DESCRIPTION / DESCRIPCION : NIGHTSTAND / TABLE DE CHEVET / MESA DE NOCHE**

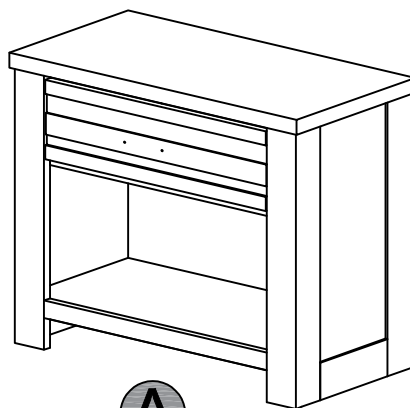
**WARNING**



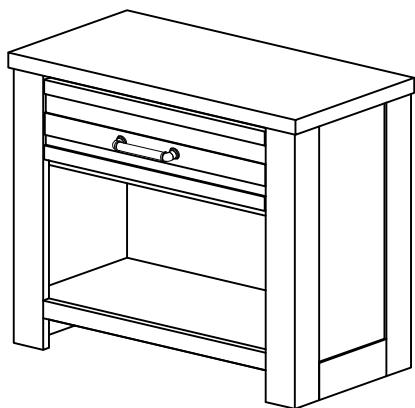
**Children have died from furniture tipover. To reduce the risk of furniture tipover .**

- ALWAYS install tipover restraint provided
- NEVER put a TV on this product .
- NEVER allow children to stand, climb or hang on drawers, doors, or shelves .
- NEVER open more than one drawer at a time.
- Place heaviest items in the lowest drawers.

*This is a permanent label.  
Do not remove!*



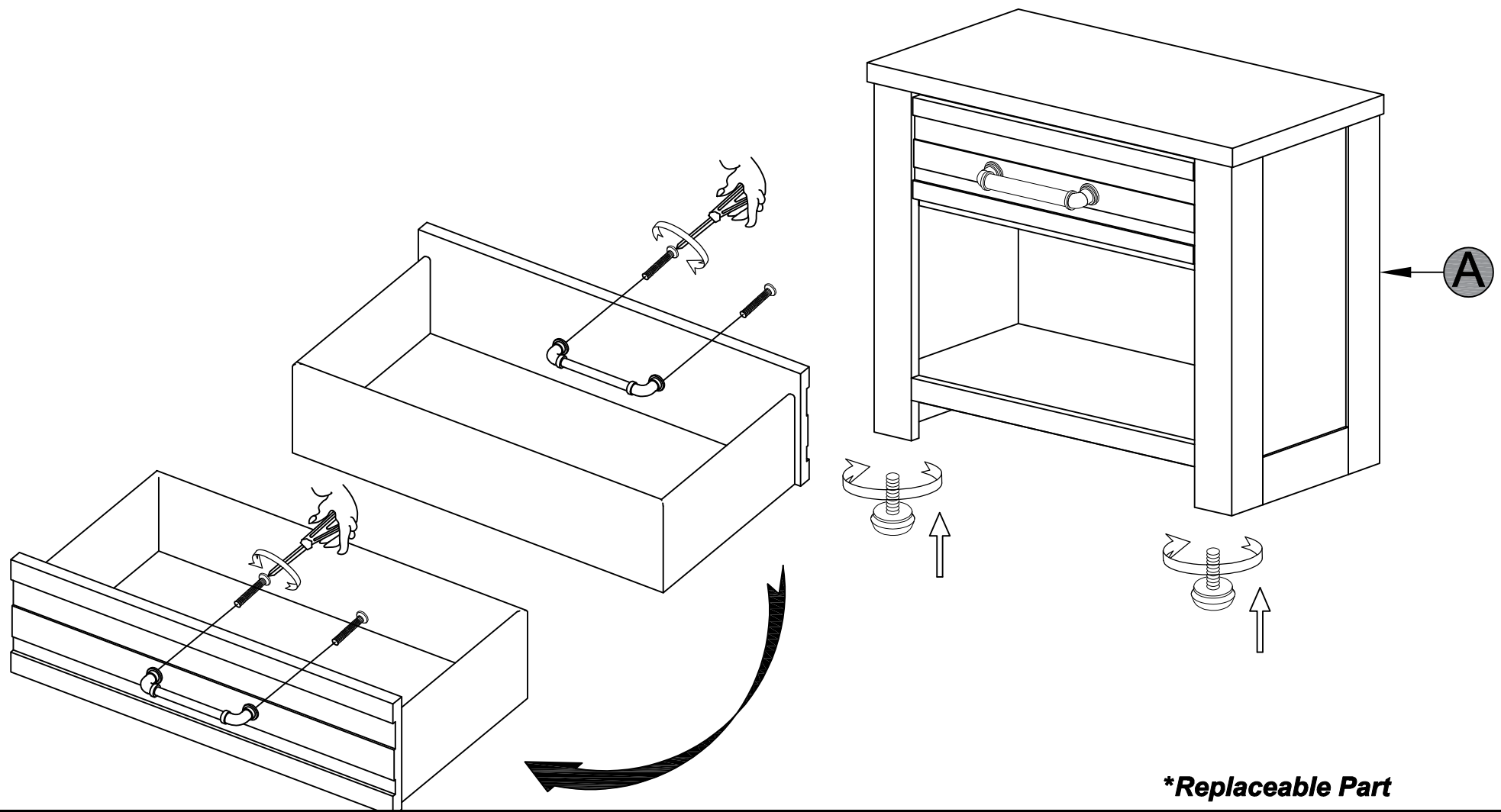
- x1 NightStand
- x1 Table De Chevet
- x1 Mesa De Noche



**\*Replaceable Part**



ASSEMBLY INSTRUCTION / NOTICE DE MONTAGE/ INSTRUCCIONES DE MONTAJE  
ITEM / NO D'ARTICLE / ARTICULO NO.: S079 - 050  
DESCRIPTION / DESCRIPCION : NIGHTSTAND / TABLE DE CHEVET / MESA DE NOCHE



**\*Replaceable Part**



REPLACEABLE PART/ PARTIE REMPLACABLE/ PARTE REEMPLAZABLE

ITEM / NO D'ARTICLE / ARTICULO NO.: S079 - 050

DESCRIPTION / DESCRIPCION : NIGHTSTAND / TABLE DE CHEVET / MESA DE NOCHE

**WARNING**

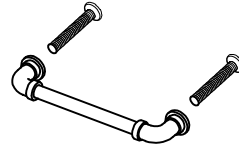
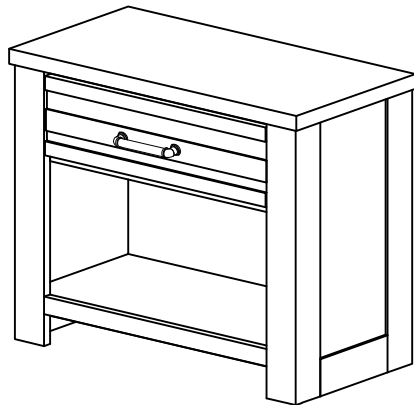


Children have died from furniture tipover. To reduce the risk of furniture tipover .

- ALWAYS install tipover restraint provided
- NEVER put a TV on this product .
- NEVER allow children to stand, climb or hang on drawers, doors, or shelves .
- NEVER open more than one drawer at a time.
- Place heaviest items in the lowest drawers.



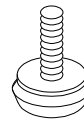
*This is a permanent label.  
Do not remove!*



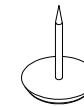
x1 RCS079-PULL -Common Pull with Screw \*  
Tirer +vis  
Tire+tornillo



x1 COMGLIDE-12-45 -Drawer Glide \*  
Tiroir Glide  
Deslizamiento del cajón



x2 RC-FG-BLACK -Black Leveler \*  
Patin ré glable  
Nivelador



x2 RC-BR-NAIL -plastic nail \*  
clou en plastique  
clavo de plástico

**\*Replaceable Part**