

DA 2818

Ceiling extractor  
with energy-efficient LED lighting and backlit controls for easy use.



- Elegant design - harmonious in the kitchen environment
- Unique user convenience – Con@ctivity
- Efficient filtration- 10-ply stainless steel grease filters
- Safe and easy to clean - Miele CleanCover

EAN: 4002516064947 / material number: 09762150

|   |                     |
|---|---------------------|
| <b>Construction type</b>  |                     |
| Ceiling fan   | •                   |
| <b>Design</b>   |                     |
| Color   | Stainless steel     |
| Edge extraction   | •                   |
| <b>Operating modes</b>  |                     |
| Recirculated mode   | Convertible         |
| <b>Control panel</b>  |                     |
| Electronic controls   | •                   |
| Light-touch controls  | •                   |
| Miele@mobile app  | •                   |
| Power levels (number excl. Intensive)   | 3                   |
| Intensive setting   | •                   |
| Programmable 'Intensive' switch-off   | •                   |
| Delayed shutdown for 5 or 15 minutes  | •                   |
| Programmable grease filter saturation indicator   | •                   |
| Programmable charcoal filter saturation indicator                                       | •                   |
| <b>Cleaning convenience</b>   |                     |
| Easy-to-clean CleanCover hood liner   | •                   |
| <b>Networking of domestic appliances</b>  |                     |
| Miele@home  | •                   |
| WiFiConn@ct   | •                   |
| MobileControl   | •                   |
| Automatic function Con@ctivity 2.0 (Zigbee)   | •                   |
| <b>Filter system</b>  |                     |
| Number of dishwasher-safe stainless steel grease filters                                | 2                   |
| <b>Lighting</b>   |                     |
| LED ClearView lighting  | •                   |
| Light intensity in Lx   | 600                 |
| Color temperature in K  | 3,500               |
| Light dimmer function   | •                   |
| <b>Blower</b>   |                     |
| Dual-action blower  | •                   |
| AC motor  | •                   |
| <b>Air throughput with max. duct diameter in vented mode (not for external version)</b> |                     |
| Air throughput  | Values upon request |
| <b>Safety</b>   |                     |
| Safety shut-off   | •                   |

DA 2818

Ceiling extractor

with energy-efficient LED lighting and backlit controls for easy use.

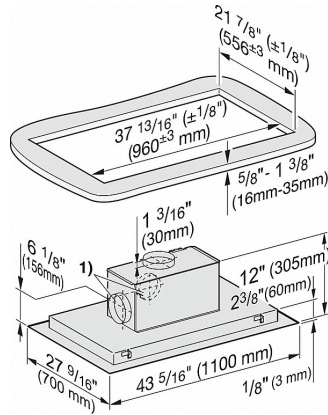


| <b>Technical data</b>  |                |
|--|----------------|
| Overall hood height for vented and external in in.(mm)                           | 13 3/8 (339)   |
| Overall hood height for recirculation in in.(mm)                                 | 13 3/8 (339)   |
| Canopy width in in.(mm)  | 43 3/8 (1,100) |
| Height of hood canopy in in.(mm)   | 13 5/8 (345)   |
| Depth of hood canopy in in.(mm)  | 27 5/8 (700)   |
| Minimum distance above electric cooktops in in.(mm)                              | 24 1/8 (610)   |
| Minimum height above gas cooktop (max. 12.6 kW total power, burner 4.5 kW) in mm | 26 (660)       |
| Net weight in lbs. (kg)  | 47 (21.0)      |
| Length of electrical wire in ft (m)  | 2 (0.8)        |
| Standard plug fitted   | •              |
| Total connected load in kW   | 0.36           |
| Voltage in V   | 120            |
| Fuse rating in A   | 15             |
| Number of phases   | 1              |
| <b>Installation notes</b>  |                |
| Vent connection at top   | •              |
| Vent connection on side  | •              |
| Vent connection at top, rear and side  | •              |
| Diameter of vent connection in in.(mm)   | 6 (150)        |
| Installation template  | •              |
| Combination with WiFi-enabled Miele cooktop                                      | required       |
| <b>Standard accessories</b>  |                |
| Non-return flap  | •              |
| Reducer from 150 to 125 mm Ø   | •              |
| Wireless stick Con@ctivity 2.0 for KM  | XKS 3000 Z     |

DA 2818

Ceiling extractor

with energy-efficient LED lighting and backlit controls for easy use.



DA 2818 Stainless steel (factual image) USA

1) Vent connection alternatively to rear