

# Installation Instructions

## Range

Questions? Call GE Appliances at 1.800.GE.CARES (1.800.432.2737) or visit [GEAppliances.com](http://GEAppliances.com). In Canada, call 1.800.561.3344 or visit [GEAppliances.ca](http://GEAppliances.ca).

### IN THE COMMONWEALTH OF MASSACHUSETTS

- This product must be installed by a licensed plumber or gas fitter.

- When using ball type gas shut-off valves, they shall be the T-handle type.
- A flexible gas connector, when used, must not exceed 5 feet.

### ⚠ WARNING

#### FIRE OR EXPLOSION HAZARD

If the information in this manual is not followed exactly, a fire or explosion may result causing property damage, personal injury or death. Installation must be performed by a qualified installer.

Read these instructions completely and carefully. Installation of this range must conform with local codes, or in the absence of local codes, with the National Fuel Gas Code, ANSI Z223.1/NFPA.54, latest edition. In Canada, installation must conform with the current Natural Gas Installation Code, CAN/CGA-B149.1 or the current Propane Installation Code, CAN/CGA-B149.2, and with local codes where applicable. This range has been design-certified by CSA International according to ANSI Z21.1,

latest edition and Canadian Gas Association according to CAN/CGA-1.1 latest edition.

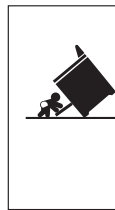
When installing a gas appliance the use of old flexible connectors can cause gas leaks and personal injury. Always use a **NEW** flexible connector.

Leak testing of the appliance shall be conducted according to the manufacturer instructions.

The range must be electrically grounded in accordance with local codes or, in the absence of local codes, in accordance with the National Electrical Code (ANSI/NFPA 70, latest edition). In Canada, electrical grounding must be in accordance with the current CSA C22.1 Canadian Electrical Code Part 1 and/or local codes. See Electrical Connections in this section.

Do not install this product with an air curtain hood or other range hood that operates by blowing air down on the cooktop. This airflow may interfere with operation of the gas burners resulting in fire or explosion hazard.

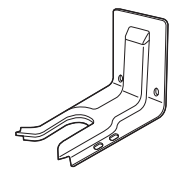
### FOR YOUR SAFETY:



#### ⚠ WARNING

##### Tip-Over Hazard

- A child or adult can tip the range and be killed.
- Install the anti-tip bracket to the wall or floor.
- Engage the range to the anti-tip bracket by sliding the range back such that the foot is engaged.
- Re-engage the anti-tip bracket if the range is moved.
- Failure to do so can result in death or serious burns to children or adults.



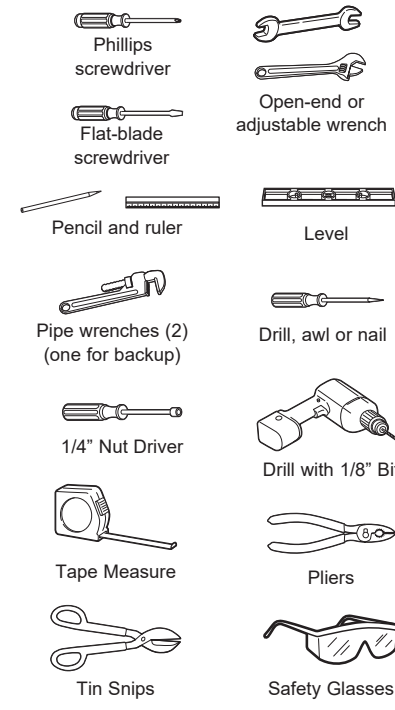
Anti-Tip Bracket Kit Included

#### ⚠ WARNING

Before beginning the installation, switch power off at service panel and lock the service disconnecting means to prevent power from being switched on accidentally. When the service disconnecting means cannot be locked, securely fasten a prominent warning device, such as a tag, to the service panel.

If you did not receive an anti-tip bracket with your purchase, call 1.800.626.8774 to receive one at no cost. (In Canada, call 1.800.561.3344.) For installation instructions of the bracket, visit: [www.GEAppliances.com](http://www.GEAppliances.com). (In Canada, [www.GEAppliances.ca](http://www.GEAppliances.ca).)

### TOOLS YOU WILL NEED



### MATERIALS YOU MAY NEED

- Gas line shut-off valve
- Pipe joint sealant or UL-approved pipe thread tape with Teflon\* that resists action of natural and propane gases
- Flexible metal appliance connector (1/2" I.D.). A 5-foot length is recommended for ease of installation but other lengths are acceptable. Never use an old connector when installing a new range.
- Flare union adapter for connection to gas supply line (3/4" or 1/2" NPT x 1/2" I.D.)
- Flare union adapter for connection to pressure regulator on range (1/2" NPT x 1/2" I.D.)
- LIQUID leak detector or soapy water.
- (UL Listed 40 AMP) 4-Wire Cord 4' long OR 3-Wire Cord 4' long



\*Teflon: Registered trademark of DuPont

### BEFORE YOU BEGIN

**IMPORTANT** — Save these instructions for local inspector's use.

**IMPORTANT** — Observe all governing codes and ordinances.

**IMPORTANT** — Remove all packing material and literature from oven before connecting gas and electrical supply to range.

**IMPORTANT** — To avoid damage to your cabinets, check with your builder or cabinet supplier to make sure that the materials used will not discolor, delaminate or sustain other damage. This oven has been designed in accordance with the requirements of UL and CSA International and complies with the maximum allowable wood cabinet temperatures of 194°F (90°C).

**Note to Installer** — Be sure to leave these instructions with consumer.

**Note to consumer** — Keep these instructions for future reference.

**Service** — The electrical diagram is in an envelope attached to the back of the range. Proper installation is the responsibility of the installer.

Product failure due to improper installation is not covered under warranty.

Before installing your range on linoleum or any other synthetic floor covering, make sure the floor covering can withstand 180°F without shrinking, warping or discoloring. Do not install the range over carpeting unless a sheet of 1/4" thick plywood or similar insulator is placed between the range and carpeting.

### Mobile Home - Additional Installation Requirements

The installation of this range must conform to the Manufactured Home Construction and Safety Standard, Title 24 CFR, Part 3280 (formerly the Federal Standard for Mobile Home Construction and Safety, Title 24, HUD Part 280). When such standard is not applicable, use the Standard for Manufactured Home Installations, ANSI A225.1/NFPA 501A or with local codes.

In Canada, the installation of this range must conform with the current standards CAN/CSA-A240-latest edition, or with local codes.

When this range is installed in a mobile home, it must be secured to the floor during transit. Any method of securing the range is adequate as long as it conforms to the standards listed above.

### DIMENSIONS AND CLEARANCES

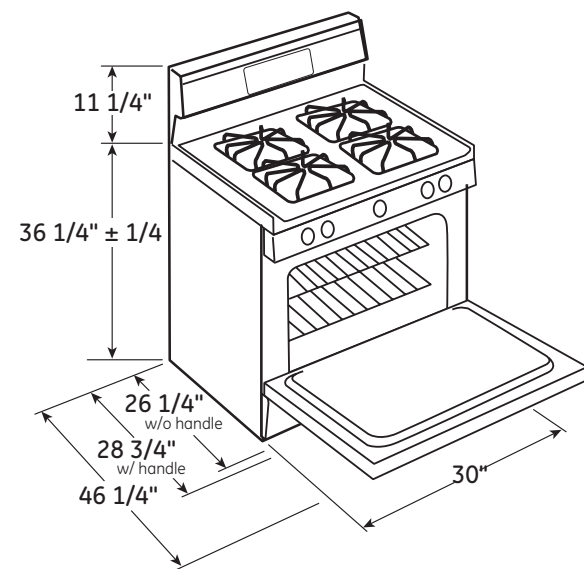
Provide adequate clearances between the range and adjacent combustible surfaces. These dimensions must be met for safe use of your range.

Allow 30" (76.2 cm) minimum clearance between burners and bottom of unprotected wood or metal cabinet, or allow a 24" (61 cm) minimum when bottom of wood or metal cabinet is protected by no less than 1/4" (6.4 mm) thick

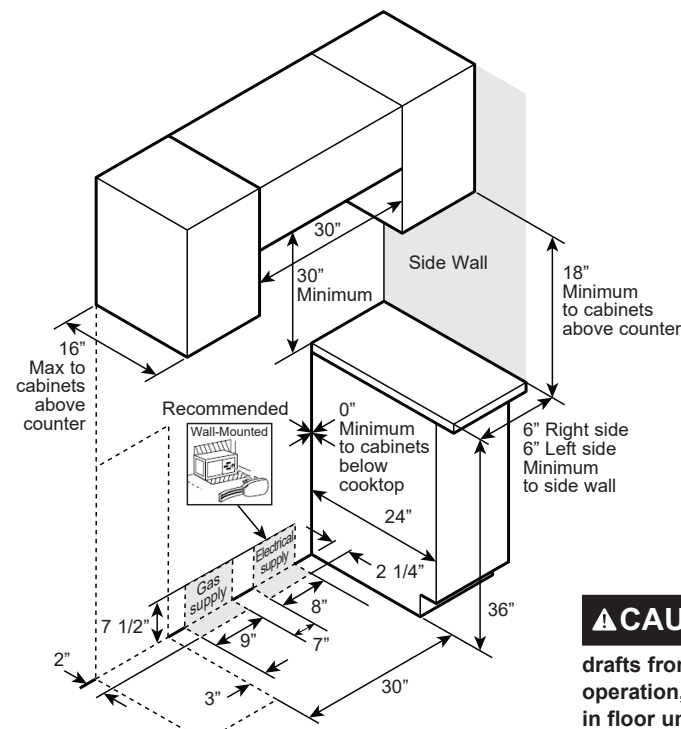
flame-retardant millboard covered with no less than No. 28 MSG sheet metal (.015" [.38 mm] thick), .015" (.38 mm) thick stainless steel, .025" (0.64 mm) aluminum or .020" (0.5 mm) copper.

Installation of a listed microwave oven or cooking appliance over the cooktop shall conform to the installation instructions packed with that appliance.

For island installation, maintain 2-1/2" minimum from cutout to back edge of countertop and 3" minimum from cutout to side edges of countertop.



### DIMENSIONS AND CLEARANCES (CONT.) GAS PIPE AND ELECTRICAL OUTLET LOCATIONS



#### ⚠ CAUTION

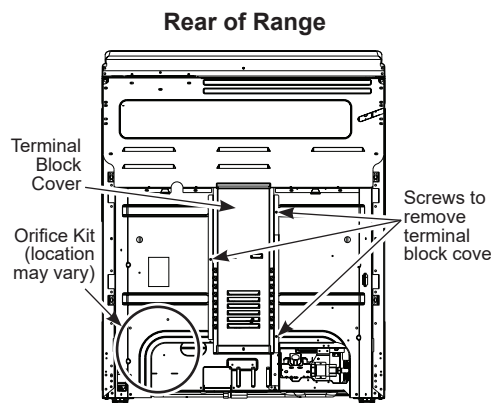
To prevent drafts from affecting burner operation, seal all openings in floor under appliance and behind appliance wall.

### CONVERTING TO PROPANE GAS (OR CONVERTING BACK TO NATURAL GAS FROM PROPANE)

This range leaves the factory set for use with natural gas. If you want to convert to propane gas, the conversion must be performed by a qualified propane gas installer.

The conversion orifices and instructions can be found on back of the range.

Keep these instructions and all orifices in case you want to convert back to natural gas.



### INSTALLATION AT HIGH ALTITUDE

Over 6000ft, product configured for natural gas or propane requires installation of kit (WB28X29254 for natural gas and WB28X29255 for propane gas). Follow the instructions included with the kit.



## 1 ELECTRICAL REQUIREMENTS

### ▲WARNING

This appliance must be properly grounded.

### ▲WARNING

All new constructions, mobile homes, recreational vehicles and installations where local codes do not allow grounding through neutral, require a 4-conductor UL-listed range cord.

### ▲WARNING

To prevent fire or shock, do not use an extension cord with this appliance.

### ▲WARNING

To prevent shock, remove house fuse or open circuit breaker before beginning installation.

We recommend you have the electrical wiring and hookup of your range connected by a qualified electrician. After installation, have the electrician show you how to disconnect power from the range. You must use a single-phase, 120/208 VAC or 120/240 VAC, 60 hertz electrical system. If you connect to aluminum wiring, properly installed connectors approved for use with aluminum wiring must be used.

Effective January 1, 1996, the National Electrical Code requires that new construction (not existing) utilize a 4-conductor connection to an electric range. When installing an electric range in new construction, mobile home, recreational vehicle, or an area where local codes prohibit grounding through the neutral conductor, refer to the section on four-conductor branch circuit connections.

Check with your local utilities for electrical codes which apply in your area. Failure to wire your oven according to governing codes could result in a hazardous condition. If there are no local codes, your oven must be wired and fused to meet the National Electrical Code, NFPA No. 70 – latest edition, available from the National Fire Protection Association.

This appliance must be supplied with the proper voltage and frequency, and connected to an individual, properly grounded, 30 amp (minimum) branch circuit protected by a circuit breaker or time-delay fuse.

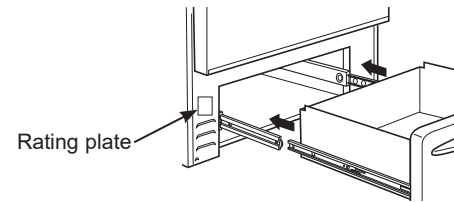
Use only a 3-conductor or a 4-conductor UL-listed range cord. These cords may be provided with ring terminals on wire and a strain relief device.

A cord kit rated at 30 amps with 125/250 minimum volt range is required. A 50 amp range cord is not recommended but if used, it should be marked for use with nominal 1 1/4" diameter connection openings. Care should be taken to center the cable and strain relief within the knockout hole to keep the edge from damaging the cable.

The rating plate is located on the oven frame or on the side of the drawer frame.

**NOTE:** Use of automatic, wireless or wired external switches that shut off power to the appliances, are not recommended for this product.

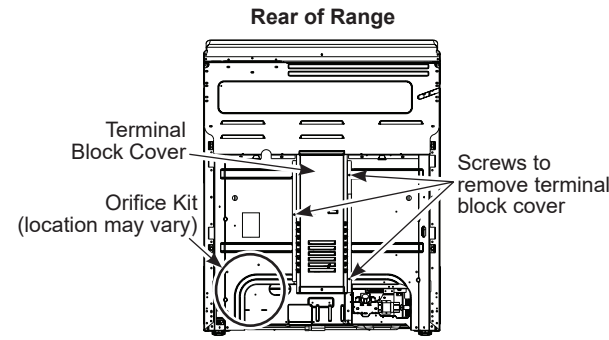
### SINGLE OVEN



## 2 POWER CORD AND CONDUIT INSTALLATION

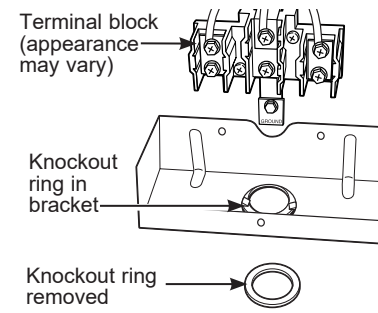
### A

Remove wire cover (on the back of range) by removing screws using a 1/4" nut driver. You can access the terminal block by either removing a terminal block cover (on some models) or the wire cover. Do not discard these screws.



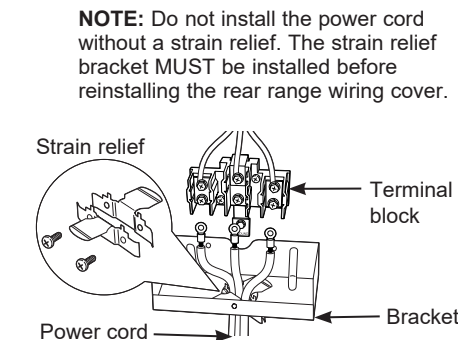
### B

For power cord and 1" conduit only, remove the knockout ring (1 3/8") located on bracket directly below the terminal block. To remove the knockout, use a pair of pliers to bend the knockout ring away from the bracket and twist until ring is removed.



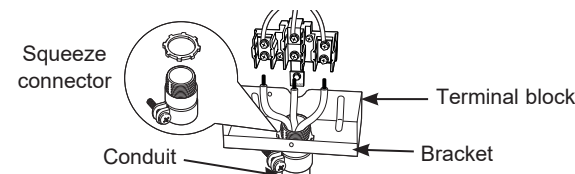
### C

For power cord installations only (see the next step if using conduit), assemble the strain relief in the hole. Insert the power cord through the strain relief and tighten. Allow enough slack to easily attach the cord terminals to the terminal block. If tabs are present at the end of the winged strain relief, they can be removed for better fit.



### D

For 3/4" conduit installations only, purchase a squeeze connector matching the diameter of your conduit and assemble it in the hole. Insert the conduit through the squeeze connector and tighten. Allow enough slack to easily attach the wires to the terminal block. **NOTE:** Do not install the conduit without a squeeze connector. The squeeze connector **MUST** be installed before reinstalling the rear terminal block.



Proceed to step 5 or 6.

## 3 3-WIRE INSTALLATION (GROUND IS THROUGH THE NEUTRAL WIRE)

### ▲WARNING

#### Shock Hazard

The neutral wire and ground strap must be connected as shown below for the range to be properly grounded. Do not remove the ground strap. Failure to follow this instruction may result in potential shock hazard.

### ▲WARNING

#### Fire hazard

Terminal block screws must be securely tightened. Failure to do so may result in potential fire hazard.

### FOR POWER CORD INSTALLATION

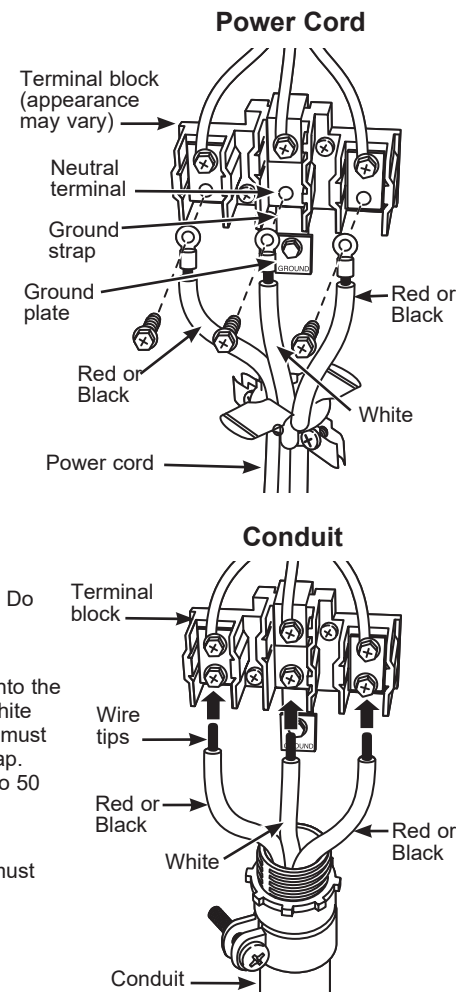
- Remove the 3 **lower** screws from the terminal block. Do not loosen the upper screws.
- Do not cut or remove the ground strap.
- Insert the 3 screws through each power cord terminal ring and back into the terminal block. Be certain the white wire is in the center. Securely tighten each screw (35 to 50 in-lbs.)

### FOR CONDUIT INSTALLATION

- Loosen the 3 **lower** screws on the terminal block. Do not loosen the upper screws.
- Do not cut or remove the ground strap.
- Insert the bare wire tip (insulation stripped 5/8") into the bottom terminal block openings. Be certain the white wire is in the center. On certain models, the wire must be inserted through an opening in the ground strap. Securely tighten each screw onto each wire (35 to 50 in-lbs.)
- Reinstall terminal block cover.

**NOTE:** Aluminum building wire may be used but it must be rated for the correct amperage and voltage.

PROCEED TO STEP 7.



## 4 4-WIRE INSTALLATION (SEPARATE GROUND WIRE)

### ▲WARNING

The neutral wire of the supply circuit must be connected to the neutral terminal located in the lower center of the terminal block. The power leads must be connected to the lower left and the lower right terminals of the terminal block. The grounding lead must be connected to the frame of the range with the ground plate and the green ground screw.

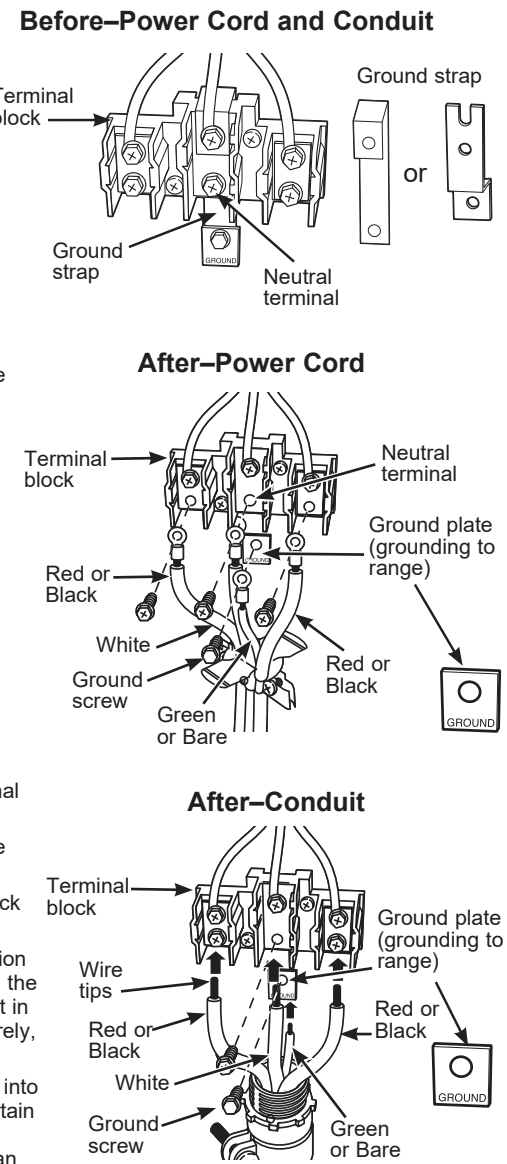
### FOR POWER CORD INSTALLATION

- Remove the 3 **lower** screws from the terminal block. Do not loosen the upper screws.
- Remove the ground screw and ground plate and retain them.
- Cut the ground strap below the terminal block and discard the lower section.
- Insert the ground screw through the ground plate (removed earlier) and back into the range frame. Tighten securely, but do not over-tighten (15 to 20 in-lbs.)
- Insert the 3 terminal screws through each power cord terminal ring and back into the terminal block. Be certain the white wire is in the center. Securely tighten each screw (35 to 50 in-lbs.)
- Reinstall terminal block cover.

### FOR CONDUIT INSTALLATION

- Remove the 3 **lower** screws from the terminal block. Do not loosen the upper screws.
- Remove the ground screw and ground plate and retain them.
- Cut the ground strap below the terminal block and discard the lower section.
- Insert the bare ground wire tip (insulation stripped 5/8") between the range frame and the ground plate (removed earlier) and secure it in place with the ground screw. Tighten securely, but do not over-tighten (15 to 20 in-lbs.)
- Insert the wire tips (insulation stripped 5/8") into the bottom terminal block openings. Be certain the white wire is in the center. On certain models, the wire must be inserted through an opening in the ground strap. Securely tighten each screw onto each wire (35 to 50 in-lbs.)
- Reinstall terminal block cover.

**NOTE:** Aluminum building wire may be used but it must be rated for the correct amperage and voltage.



## 5 GAS SUPPLY

### ▲WARNING

**Fire Hazard: Do not use a flame to check for gas leaks.**

### ▲WARNING

**Explosion Hazard: Do not exceed 25 ft-lbs of torque when making gas line connections. Overtightening may crack the pressure regulator resulting in fire or explosion hazard.**

### Gas Pressure Regulator

You must use the gas pressure regulator supplied with this range. For proper operation the inlet pressure to the regulator should be as follows:

#### Natural Gas:

Minimum pressure: 6" of Water Column  
Maximum pressure: 13" of Water Column

#### Propane Gas:

Minimum pressure: 11" of Water Column  
Maximum pressure: 13" of Water Column

If you are not sure about the inlet pressure contact local gas supplier.

**Shut off the main gas supply valve before disconnecting the old range and leave it off until the new hook-up has been completed. Don't forget to relight the pilot on other gas appliances when you turn the gas back on.**

Because hard piping restricts movement of the range, the use of a CSA International-certified flexible metal appliance connector is recommended unless local codes require a hard-piped connection.

If the hard piping method is used, you must carefully align the pipe; the range cannot be moved after the connection is made.

To prevent gas leaks, put pipe joint compound on, or wrap pipe thread tape with Teflon\* around, all male (external) pipe threads.

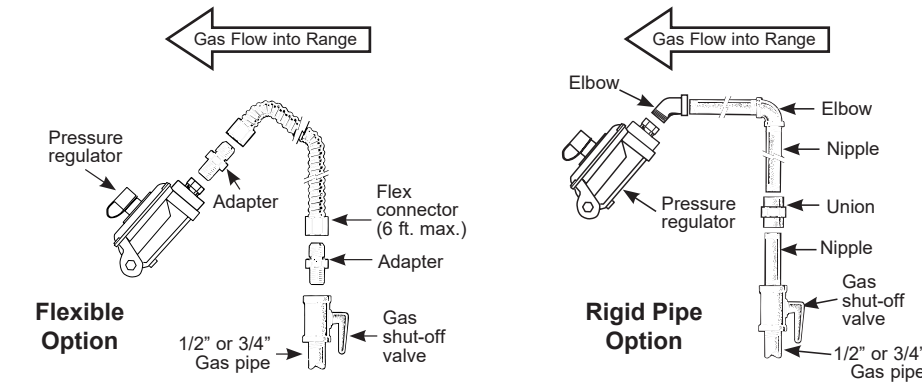
- Install a manual shut-off valve in the gas line in an easily accessed location outside of the range. Make sure everyone operating the range knows where and how to shut off the gas supply to the range.
- Install male 1/2" flare union adapter to the 1/2" NPT internal thread at inlet of regulator. Use a backup wrench on the regulator fitting to avoid damage.
- Install male 1/2" or 3/4" flare union adapter to the NPT internal thread of the manual shut-off valve, taking care to back-up the shut-off valve to keep it from turning.
- Connect flexible metal appliance connector to the adapter on the range. Position range to permit connection at the shut-off valve.
- When all connections have been made, make sure all range controls are in the off position and turn on the main gas supply valve. Use a liquid leak detector at all joints and connections to check for leaks in the system.

When using pressures greater than 1/2 psig to pressure test the gas supply system of the residence, disconnect the range and individual shut-off valve from the gas supply piping. When using pressures of 1/2 psig or less to pressure test the gas supply system, simply isolate the range from the gas supply system by closing the individual shut-off valve.

When checking for proper operation of the regulator, the inlet pressure must be at least 1" greater than the operating (manifold) pressure as given on rating label of product.

\*Teflon: Registered trademark of DuPont

### CONNECTOR HOOKUP



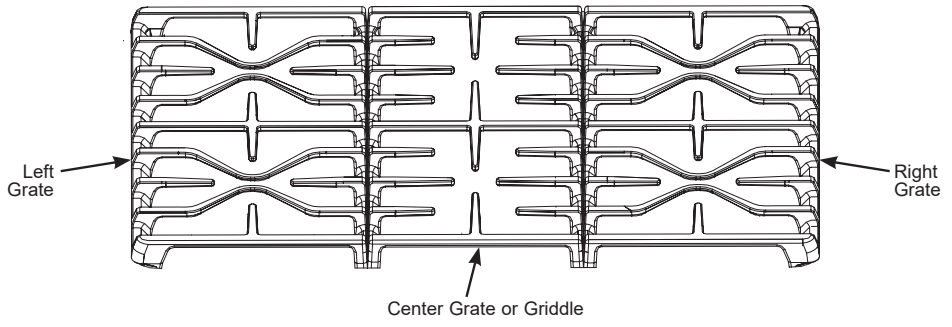
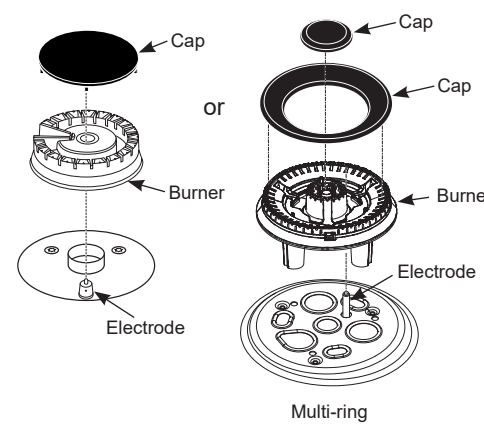
Installer: Inform the consumer of the location of the gas shut-off valve.

## 6 SURFACE BURNERS

### ▲WARNING

**Fire or Explosion Hazard: Do not operate the burner without all burner parts in place.**

- Burners** - Place surface burners into corresponding positions on cooktop.
- Caps** - Place caps on proper size burner.
- Grates** - The left and right grates are interchangeable. Place the grates on the cooktop.

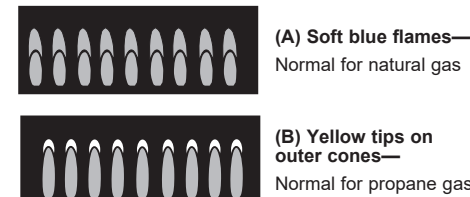


## 7 CHECK SURFACE BURNERS

Push and turn a knob to the LITE position. A clicking sound indicates proper operation of the ignition system. When lighting any burner, sparks will appear at all burners but gas flows from only the one selected. Once air is purged from the supply line, burner should light within 4 seconds. After burner lights, rotate the knob out of the LITE position. Try each burner in succession until all burners have been checked.

### Quality of Flames

Determine the quality of flames visually. Normal burner flames should look like (A) or (B).



Long, bright yellow flames are not normal. Normal flames may show signs of an orange tint when well heated or signs of flickering orange due to particles in the gas or air.

## 8 INSTALL AND CHECK ANTI-TIP DEVICE

### ▲WARNING

**Never completely remove the leveling leg as the range will not be secured to the anti-tip device properly.**

Follow instructions supplied with ANTI-TIP bracket.

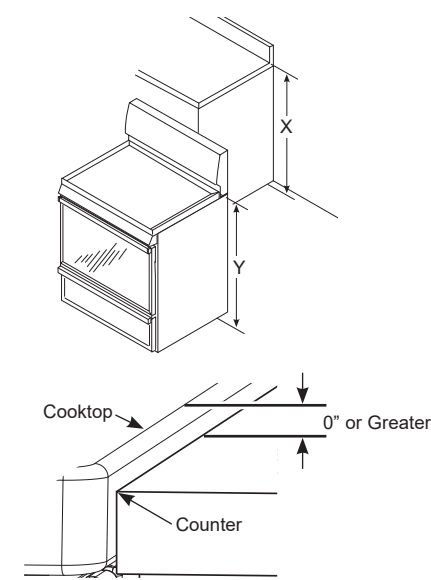


## 9 LEVEL THE RANGE

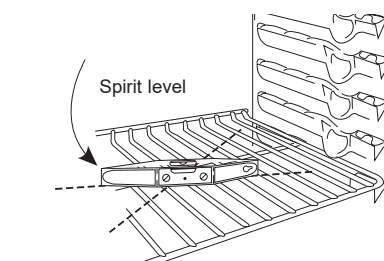
### ▲WARNING

**Never completely remove the leveling leg as the range will not be secured to the anti-tip device properly.**

- Plug in the unit.
- Measure the height of your countertop at the rear of the opening (X).
- Adjust two rear leveling legs so that the rear of cooktop is at the same height or higher than the counter (Y).
- Slide unit into place.
- Install oven shelves in the oven and position the range where it will be installed.
- Check for levelness by placing a spirit level on one of the oven shelves. Take two readings—with the level placed diagonally first in one direction and then the other.
- Adjust front leveling legs until the range is level.
- Lock under the unit and verify that the rear leg is fully engaged with the anti-tip device. If not, remove the unit and adjust the height of the rear leg so that it is properly engaged.



**NOTE:** Cooktop must be at or above counter.



## 10 FINAL INSTALLATION CHECKLIST

- Check to make sure the circuit breaker is closed (RESET) or the circuit fuses are replaced.
- Be sure power is in service to the building.
- Check that all packing materials and tape have been removed. This will include tape on metal panel under control knobs (if applicable), adhesive tape, wire ties, cardboard and protective plastic. Failure to remove these materials could result in damage to the appliance once the appliance has been turned on and surfaces have heated.
- Check that the door and drawer are parallel to each other and that both operate smoothly. If they do not, see the Owner's Manual for proper replacement.
- Check to make sure that the rear leveling leg is fully inserted into the Anti-Tip bracket and that the bracket is securely installed.

### OPERATION CHECKLIST

- Check that the oven control operates properly. If the oven control does not operate properly, recheck the wiring connections.
- Be sure all range controls are in the OFF position before leaving the range.



# Instrucciones de instalación Cocina

¿Preguntas? Llame a GE Appliances al 800.GE.CARES (800.432.2737) o visita [GEAppliances.com](http://GEAppliances.com). En Canadá, llame 1.800.561.3344 o visita [GEAppliances.ca](http://GEAppliances.ca).

## EN EL COMMONWEALTH DE MASSACHUSETTS

- Este producto debe ser instalado por un plomero licenciado o un mecánico gasista.

- Al usar válvulas de cierre de gas tipo balón, deberán ser del tipo de manija T.
- Al usar un conector de gas flexible no deberá exceder los 5 pies.

## ADVERTENCIA

### RIESGO DE INCENDIO O EXPLOSIÓN

Si la información de este manual no se sigue exactamente, se podrá producir un incendio o explosión, ocasionando daños sobre la propiedad, lesiones o la muerte.

La instalación deberán ser realizadas por un instalador calificado.

Lea estas instrucciones en su totalidad y atentamente. Esta cocina se deberá instalar de acuerdo con los códigos locales, o en la ausencia de códigos locales, con el Código de Gas Combustible Nacional, ANSI Z223.1/NFPA 54, última edición. En Canadá, la instalación deberá ser conforme con el Código de Instalación de Gas Natural actual, CAN/CGA-B149.1 o el Código de Instalación de Propano actual, CAN/CGA-B149.2, y con los códigos locales cuando corresponda. Esta cocina fue diseñada y certificada por CSA International, de acuerdo con ANSI Z21.1, última

edición y con la Canadian Gas Association (Asociación de Gas de Canadá) CAN/CGA-1.1 última edición.

Al instalar un electrodoméstico a gas, el uso de conectores flexibles viejos puede ocasionar pérdidas y lesiones personales. Siempre use un conector flexible NUEVO.

La prueba de goteras del electrodoméstico se deberá realizar de acuerdo con las instrucciones del fabricante.

La cocina deberá estar correctamente conectada a tierra de acuerdo con los códigos y ordenanzas locales o, en ausencia de códigos locales, de acuerdo con el Código Nacional de Electricidad (National Electric Code), (ANSI/NFPA NO. 70., última edición). En Canadá, la conexión a tierra se deberá realizar de acuerdo con la Parte 1 del Código de Electricidad de Canadá CSA C22.1 y/o los códigos locales. En esta sección, consulte las Conexiones Eléctricas

No instale este producto con una campana con cortina de aire u otra campana de cocina que funcione llevando aire a la placa de cocción. El flujo de aire podrá interferir en el funcionamiento de los quemadores de gas, produciendo riesgos de incendio o explosión.

## PARA SU SEGURIDAD

**ADVERTENCIA**  
Riesgo de Caída

- Un niño o adulto pueden volcar la cocina y morir.
- Instale el soporte anti-volcaduras sobre la pared o el piso.
- Asegúrese la estufa al soporte anti-volcaduras deslizando la unidad hacia atrás de tal manera que la pata niveladora sea enganchada.
- Vuelva a adherir el soporte anti-volcaduras si la estufa se mueve de lugar.
- Si esto no se hace, se podrá producir la muerte o quemaduras graves en niños o adultos.



## ADVERTENCIA

Si no recibió un soporte anti volcaduras con su compra, llame al 1.800.626.8774 para recibir uno sin costo. (En Canadá, llame al 1.800.561.3344). Para recibir instrucciones de instalación del soporte, visite: [GEAppliances.com](http://GEAppliances.com) (En Canadá, [GEAppliances.ca](http://GEAppliances.ca)).

Antes de comenzar la instalación, apague el encendido en el panel de servicio y bloquee el medio de desconexión del servicio a fin de evitar que el encendido se active de forma accidental. Cuando el medio de desconexión del servicio no se pueda bloquear, ajuste de manera segura un ítem de advertencia que esté bien visible, tal como una etiqueta, sobre el panel de servicio.

## HERRAMIENTAS NECESARIAS



## MATERIALES NECESARIOS

- Válvula de cierre para tubería de gas
- Sellador para junta de tubería o UL – cinta para tubería aprobada con Teflón\*, resistente a la acción de gases naturales o propano
- Conector para artefacto metálico flexible (1/2" I.D.) Se recomienda una longitud de 5 pies para una fácil instalación, pero otras longitudes son aceptables. Nunca use un conector viejo al instalar una cocina nueva.
- Adaptador para unión cónica para la conexión al suministro de gas (3/4" o 1/2" NPT x 1/2" I.D.)
- Adaptador para unión cónica para la conexión al regulador de presión en la cocina (1/2" o 1/2" NPT x 1/2" I.D.)
- Detector de pérdida de líquido o agua con jabón.
- (Aprobados por UL de 40 AMP) Cable de 4 alambres de 4' de largo O Cable de 3 alambres de 4' de largo

\*Teflón: Marca registrada por DuPont

## ANTES DE COMENZAR

**IMPORTANTE** — Conserve estas instrucciones para uso del inspector de electricidad local.

**IMPORTANTE** — Cumpla con todos los códigos y ordenanzas gubernamentales.

**IMPORTANTE** — Retire todo el material de embalaje y material escrito del horno antes de conectar el gas y el suministro de corriente a la cocina.

**IMPORTANTE** — A fin de evitar daños en los gabinetes, controle con su constructor o proveedor de gabinetes que los materiales usados no descolorarán, deslaminarán ni sostendrán otro daño. Este horno fue diseñado de acuerdo con los requisitos de UL y CSA International y cumple con las temperaturas máximas permitidas para gabinetes de madera de 194° F (90° C).

**Nota para el Instalador** – Asegúrese de que estas instrucciones queden en manos del comprador. Cuando la cocina es instalada en una casa móvil, se deberá asegurar al piso durante el tránsito. Cualquier método para asegurar la cocina es adecuado, siempre y cuando se realice conforme con los estándares que figuran a continuación.

**Nota para el Consumidor** – Guarde estas instrucciones para referencia futura.

**Servicio Técnico** – El diagrama eléctrico se encuentra en un sobre adjunto al reverso de la cocina.

La correcta instalación del producto es responsabilidad del instalador.

Si se producen fallas en el producto debido a una instalación inadecuada, la Garantía no cubrirá las mismas.

Antes de instalar su cocina sobre linóleo y cualquier otro revestimiento de piso sintético, asegúrese de que el revestimiento del piso resista los 180° F sin contraerse, combarse o descolorarse. No instale la cocina sobre alfombras, a menos que haya una hoja de contrachapado de un grosor de 1/4" o un aislante similar entre la cocina y la alfombra.

## DIMENSIONES Y ESPACIOS

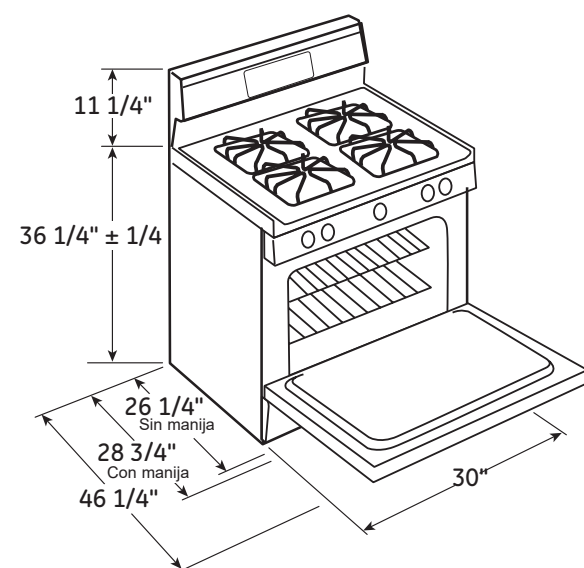
Deje el espacio adecuado entre la cocina y las superficies combustibles adyacentes. Estas dimensiones se deberán cumplir para un uso seguro de su cocina.

Deje un espacio mínimo de 30" (76.2 cm) entre los quemadores y la parte inferior del gabinete de madera o metal sin protección, o deje un espacio mínimo de 24" (61 cm) cuando la parte inferior del gabinete de madera o metal esté protegido por no menos de 1/4" (6.4 mm) de cartón de retardo de incendios cubierta por no menos que una lámina

metálica de 28 MSG (.015" (.38 mm) de grosor), .015" (.38 mm) de grosor de acero inoxidable, .025" (0.64 mm) de aluminio o .020" (0.5 mm) de cobre.

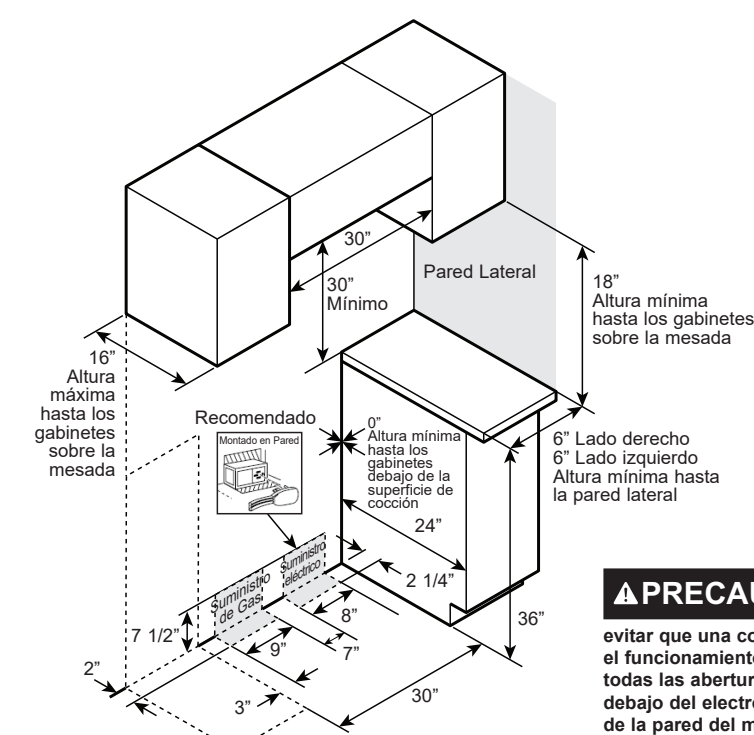
La instalación de un horno microondas o de un electrodoméstico de cocción que figuren en la lista sobre la parte superior de la cocina deberá cumplir con las instrucciones de instalación provistas con el electrodoméstico.

Para la instalación de la isla, deje un espacio mínimo de 2-1/2" desde la abertura hasta el extremo trasero de la mesada y un mínimo de 3" desde la abertura hasta los extremos laterales de la mesada.



## DIMENSIONES Y ESPACIOS (CONT.)

### UBICACIONES DE LA TUBERÍA DE GAS Y DEL TOMACORRIENTE ELÉCTRICO



## PRECAUCIÓN

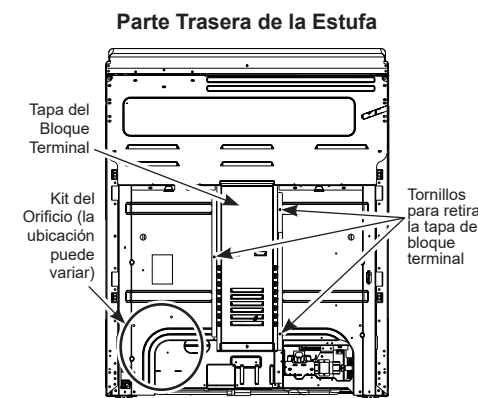
Para evitar que una corriente de aire afecte el funcionamiento del quemador, selle todas las aberturas sobre el piso debajo del electrodoméstico y detrás de la pared del mismo.

## CONVERTIR A GAS PROPANO (O VOLVER A CONVERTIR DE PROPANO A GAS NATURAL)

Esta cocina deja la configuración de fábrica para uso con gas natural. Si desea convertir a gas propano, la conversión deberá ser realizada por un instalador de gas propano calificado.

Los orificios de conversión y las instrucciones se podrán encontrar en la parte trasera de la cocina.

Guarde estas instrucciones y todo orificio en caso de que lo desee convertir nuevamente a gas natural.



## INSTALACIÓN EN ALTITUDES ELEVADAS

A más de 6000 pies, el producto configurado para gas natural o propano requiere la instalación del kit (WB28X29254 para gas natural y WB28X29255 para gas propano). Siga las instrucciones incluidas con el kit.



## 1 REQUERIMIENTOS ELÉCTRICOS

**ADVERTENCIA** Esta unidad debe contar con una adecuada conexión a tierra.

**ADVERTENCIA** Todas las construcciones nuevas, casas rodantes, vehículos recreativos e instalaciones donde los códigos locales no permiten una conexión a tierra a través de un neutral requieren un cable para cocina de 4 conductores aprobado por UL.

**ADVERTENCIA** Para prevenir un incendio o descarga eléctrica, no utilice un cable de extensión con este aparato.

**ADVERTENCIA** Para prevenir una descarga eléctrica, quite el fusible o abra el interruptor de circuitos antes de comenzar la instalación.

Recomendamos que un electricista calificado conecte el cableado eléctrico y su cocina. Después de la instalación, solicite al electricista que le indique cómo desconectar la energía de la cocina.

Usted debe usar un sistema eléctrico de 60 hercios CA de fase única de 120/280 voltios o 120/240 voltios. Si tiene una conexión con cableado de aluminio, deben utilizarse conectores adecuadamente instalados para utilizar con cableado de aluminio.

Si el servicio eléctrico provisto no cumple con las especificaciones anteriores, haga que un electricista con licencia instale un tomacorriente aprobado.

Vigente desde el 1 de enero de 1996, el Código Eléctrico Nacional requiere que las nuevas construcciones (no existentes) utilicen una conexión de cuatro conductores a una cocina eléctrica. Cuando instale una cocina eléctrica en una nueva construcción, una casa rodante, un vehículo recreativo o un área donde los códigos locales prohíben la conexión a tierra a través de un conductor neutral, consulte la sección sobre conexiones en circuito derivado de cuatro conductores.

Consulte a las empresas de servicio público sobre los códigos eléctricos que se aplican en su área. No realizar el cableado de su horno de acuerdo con los códigos vigentes puede provocar una situación peligrosa. Si no existen códigos locales, su cocina debe contar con cables y fusibles que cumplan con los requisitos del Código Eléctrico Nacional, ANSI/NFPA No. 70—Última edición.

Este electrodoméstico debe recibir el voltaje y frecuencia adecuados, y debe conectarse a un circuito derivado individual con adecuada conexión a tierra de 30 amperios (mínimo) protegido por un interruptor de circuitos o fusible con retraso.

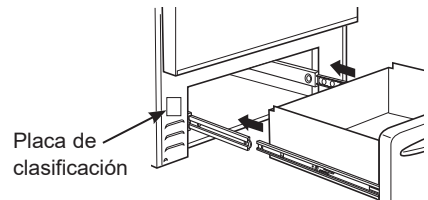
Utilice sólo un cable para cocinas de 3 o 4 conductores aprobado por UL. Estos cables pueden contar con terminales de anillo en alambre y un dispositivo de alivio de tensión.

Se requiere el uso de un kit de cables de 30 amperes con un rango mínimo de 125/250 voltios. No se recomienda un cable de 50 amperios, pero si se utiliza, debe señalizarse para usarse con aberturas de conexión de un diámetro nominal de 1-3/8". Debe tenerse cuidado al centrar el cable y el alivio de tensión dentro del orificio de expulsión para evitar que el borde dañe el cable.

La placa de clasificación se encuentra ubicada sobre el cajón de almacenamiento en el marco del horno o en el lado del marco del cajón.

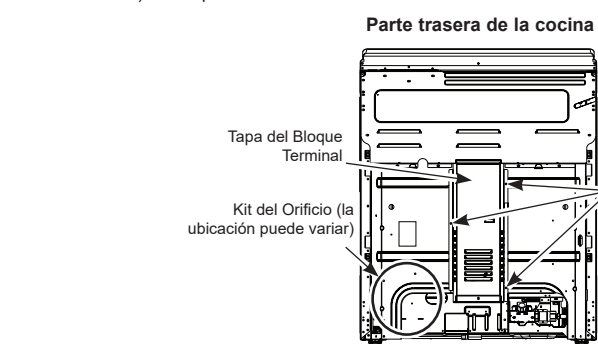
**NOTA:** No se recomienda para este producto el uso de interruptores automáticos, inalámbricos o con cableado externo que apagan la corriente del electrodoméstico.

### HORNO SIMPLE

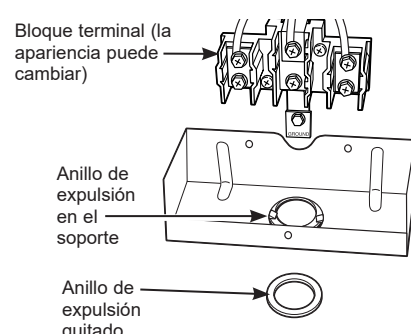


## 2 INSTALACIÓN DE CABLE DE ENERGÍA Y DE PASACABLES

**A** Quite la tapa del cable (en la parte trasera de la cocina) quitando tornillos mediante una llave de tuercas de 1/4". Usted puede acceder el bloque terminal quitando la tapa del bloque terminal (en algunos modelos) o la tapa de los cables. No elimine esos tornillos.

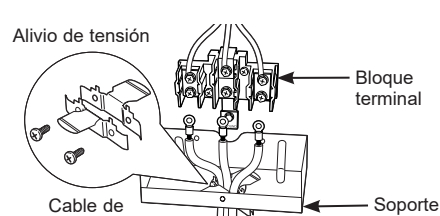


**B** Para cable de energía y pasacables de 1" solamente, quite el anillo de expulsión (1-3/8") ubicado en el soporte directamente debajo del bloque terminal. Para quitar el anillo, utilice un par de alicates para doblar el anillo de expulsión lejos del soporte y gire hasta remover el anillo.

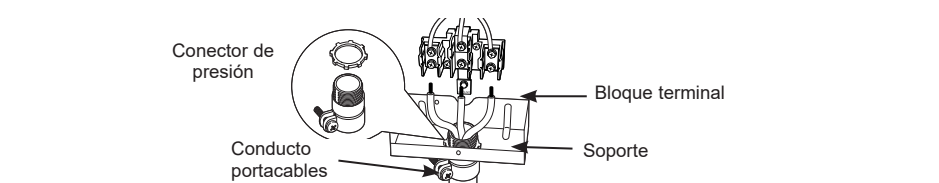


**C** Sólo para instalaciones de cable de energía (ver el paso siguiente si utiliza un conducto portacables), instale el alivio de tensión en el orificio. Introduzca el cable de energía a través del alivio de tensión y ajuste. Deje un largo suficiente para poder conectar las terminales de cable al bloque terminal. Si hay lengüetas al final del alivio de tensión con alas, éstas pueden quitarse para un ajuste mejor.

**NOTA:** No instale el cable de energía sin un alivio de tensión. El soporte del alivio de tensión DEBE instalarse antes de volver a colocar la tapa del cableado trasero de la cocina.



**D** Sólo para instalaciones con conducto portacables de 3/4", adquiera un conector de presión que se ajuste al diámetro de su conducto e instálelo en el orificio. Introduzca el conducto a través del conector de presión y ajuste. Deje un largo suficiente para poder pegar los cables al bloque terminal. **NOTA:** No instale el conducto sin un conector de presión. El conector de presión DEBERÁ ser instalado antes de volver a instalar el bloque terminal trasero.



SIGA CON EL PASO 5 O 6.

## 3 INSTALACIÓN DE TRES (3) ALAMBRES (LA CONEXIÓN A TIERRA SE REALIZA A TRAVÉS DEL CABLE NEUTRO)

**ADVERTENCIA** **Riesgo de Descarga**  
El cable neutro y la cinta de conexión a tierra deben estar conectados como se muestra a continuación, de modo que la cocina esté correctamente conectada a tierra. No retire la cinta de conexión a tierra. Si no se siguen estas instrucciones, podrán existir riesgos de descarga eléctrica.

**ADVERTENCIA** **Riesgo de incendio**  
Los tornillos del bloque terminal deben estar ajustados de forma segura. Si esto no se cumple, existen riesgos de incendio.

**PARA INSTALACIÓN DE CABLE DE ENERGÍA**  
**A.** Retire los 3 tornillos inferiores del bloque terminal. No afloje los tornillos superiores.

**B.** No corte ni retire la cinta de conexión a tierra.

**C.** Inserte los 3 tornillos a través de cada anillo terminal del cable de corriente y nuevamente al bloque terminal. Asegúrese de que el cable blanco se encuentre en el centro. Ajuste de forma segura cada tornillo (entre 35 y 50 pulgadas/libra).

**PARA INSTALACIÓN DE CONDUCTO PORTACABLES**  
**A.** Afloje los 3 tornillos inferiores del bloque terminal. No afloje los tornillos superiores.

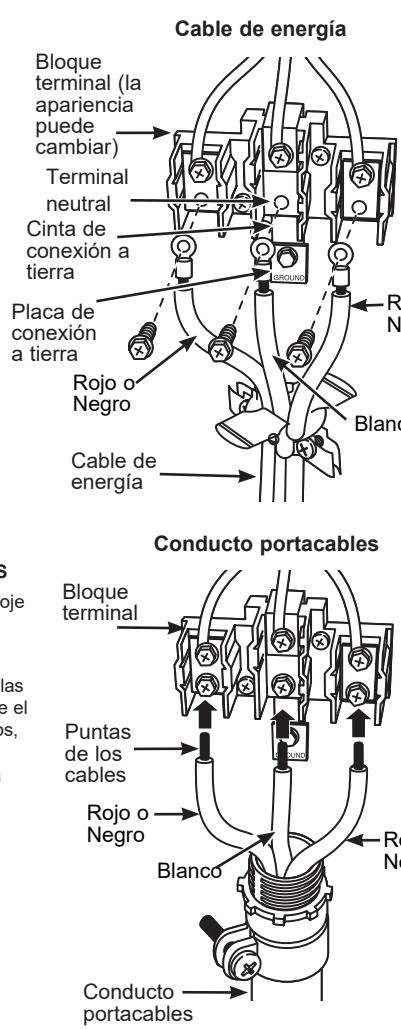
**B.** No corte ni retire la cinta de conexión a tierra.

**C.** Inserte la punta del cable pelado (sin aislante de 5/8") en las aberturas inferiores del bloque terminal. Asegúrese de que el cable blanco se encuentre en el centro. En ciertos modelos, el cable deberá ser insertado a través de una abertura de la cinta de conexión a tierra. Ajuste de forma segura cada tornillo en cada cable (entre 35 y 50 pulgadas/libra).

**D.** Reinstale la tapa del bloque terminal.

**NOTA:** Puede utilizarse cable de construcción de aluminio pero debe clasificarse para el amperaje y voltaje correctos.

SIGA CON EL PASO 7.



## 5 SUMINISTRO DE GAS

**ADVERTENCIA** **Riesgo de incendio:**  
No use una llama para controlar las pérdidas de gas.

**ADVERTENCIA** **Riesgo de explosión:** No supere una torsión máxima de 25 pies-libras al realizar conexiones de tuberías de gas. Cualquier ajuste en exceso podrá romper el regulador de presión, resultando en riesgo de incendio o explosión.

**Regulador de Presión de Gas**

Se deberá usar el regulador de presión de gas suministrado con esta cocina. Para un funcionamiento adecuado, la presión de entrada al regulador deberá ser la siguiente:

**Gas Natural:**  
Presión mínima: Columna de Agua de 6"  
Presión máxima: Columna de Agua de 13"

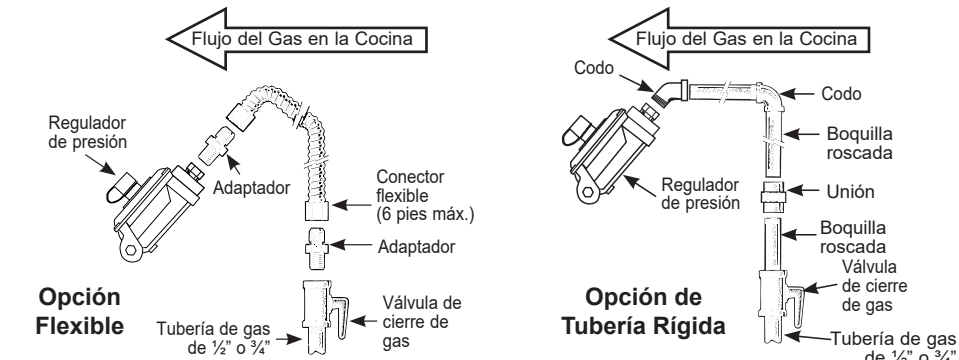
**Gas Propano:**  
Presión mínima: Columna de Agua de 11"  
Presión máxima: Columna de Agua de 13"

Si no está seguro sobre cuál es la presión de entrada, comuníquese con el proveedor de gas local.

**Cierre la válvula principal de suministro de gas antes de desconectar su vieja cocina y deje la misma apagada hasta que la nueva conexión se haya completado. No olvide volver a encender el piloto en otros electrodomésticos a gas cuando vuelva a encender el gas.**

Debido a que las tuberías duras restringen el movimiento de la cocina, se recomienda el uso del conector para electrodomésticos de metal flexible con certificación internacional de CSA, a menos que los códigos locales requieran una conexión de tubería dura. Si se usa el método de tubería dura, deberá alinearse la misma con cuidado; la cocina no se podrá mover una vez realizada la conexión.

### CONEXIÓN DEL CONECTOR



Instalador: Informe al consumidor sobre la ubicación de la válvula de cierre de gas.

Para evitar pérdidas de gas, coloque el compuesto de la junta de gas, o envuelva la cinta para roscas de tuberías con Teflón® alrededor de todas las roscas de tubería macho (externas).

**A.** Instale una válvula de cierre manual de la línea de gas en la línea de gas, en una ubicación de fácil acceso fuera de la cocina. Asegúrese de que todas las personas que usen la cocina sepan dónde y cómo cerrar el suministro de gas de la cocina.

**B.** Instale el adaptador de la unión cónica macho de 1/2" a la rosca interna de 1/2" de NPT en la entrada del regulador. Use la llave de repuesto en el accesorio regulador para evitar daños.

**C.** Instale un adaptador para unión cónica de 1/2" o 3/4" a la rosca interna de 1/2" de NPT de la válvula de cierre manual, procurando evitar que la válvula de cierre no gire.

**D.** Conecte el conector de metal flexible del electrodoméstico al adaptador de la cocina. Posicione la cocina para permitir la conexión en la válvula de cierre.

**E.** Cuando todas las conexiones se hayan realizado, asegúrese de que todos los controles de la cocina estén en la posición de apagado y encienda la válvula de suministro principal de gas. Use un detector de pérdida de líquido en todas las uniones y conexiones, para controlar pérdidas en el sistema.

Al usar presión superior a 1/2 psig para controlar la presión del sistema de suministro de gas de la residencia, desconecte la cocina y la válvula de cierre individual de la tubería de suministro de gas. Al usar las presiones de prueba de 1/2 psig o menos para controlar el sistema de suministro de gas, simplemente aisle la cocina del sistema de suministro de gas, cerrando la válvula de cierre individual.

Al controlar el funcionamiento adecuado del regulador, la presión de entrada deberá ser por lo menos 1" mayor que la presión de funcionamiento (tubo) como en la etiqueta de calificación del producto.

\*Teléfono: Marca registrada por DuPont

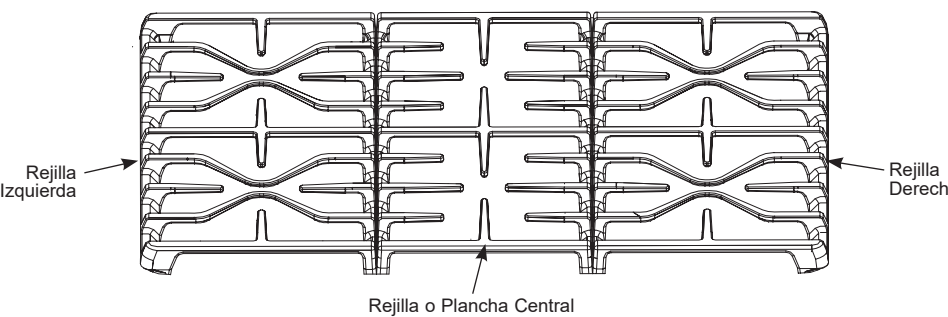
## 6 SUPERFICIALES QUEMADORES

**ADVERTENCIA** **Riesgo de Incendio o Explosión:** No use el quemador sin que todas las partes de los quemadores estén en sus respectivos lugares.

**A. Quemadores** - Coloque las cabezas de los quemadores en las posiciones correspondientes en la placa de cocción.

**B. Tapas** - Coloque las tapas en los quemadores de los tamaños correspondientes.

**C. Rejillas** - Las rejillas izquierda y derecha son intercambiables. Coloque las rejillas en la placa de cocción.



## 7 CONTROLE LAS CABEZAS DE LOS QUEMADORES

Presione y gire la perilla a la posición LITE (Luz). Un sonido de clic indica el correcto funcionamiento del sistema de encendido. Al iluminar cualquier quemador, se producirán chispas en todos los quemadores pero sólo saldrá gas del que fue seleccionado. Una vez que el aire se haya purgado de la línea de suministro, el quemador se deberá encender dentro de los 4 segundos. Luego de que el quemador se encienda, gire la perilla fuera de la posición LITE (Luz). Pruebe cada quemador de forma sucesiva hasta que todos los quemadores hayan sido controlados.

### Calidad de las Llamas

Determine la calidad de las llamas de forma visual. Las llamas normales de los quemadores se deberán ver como (A) o (B).



Las llamas largas de color amarillo brillante no son normales. Las llamas normales podrán mostrar signos de un tinte anaranjado cuando estén bien quemadas, o signos de anaranjado parpadeante debido a las partículas del gas o del aire.

## 8 INSTALE Y CONTROLE EL DISPOSITIVO ANTIVOLCADURAS

**ADVERTENCIA** Nunca retire completamente las patas niveladoras, ya que la cocina no estará asegurada de forma adecuada al dispositivo antivolcaduras.

Siga las instrucciones suministradas con el soporte ANTIVOLCADURAS.



## 9 NIVELACIÓN DE LA COCINA

**ADVERTENCIA** Nunca retire completamente las patas niveladoras, ya que la cocina no estará asegurada de forma adecuada al dispositivo anti-volcaduras.

**A.** Enchufe la unidad.

**B.** Mida la altura de su mostrador de encimera en la parte trasera de la abertura (X).

**C.** Ajuste las dos patas de nivelación traseras para que la parte trasera de la estufa se encuentre a la misma altura o más arriba que la mesada (Y).

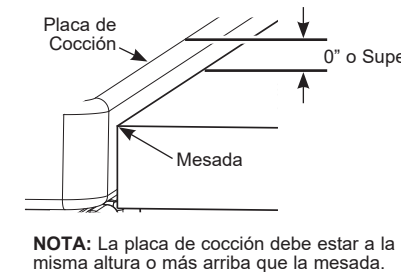
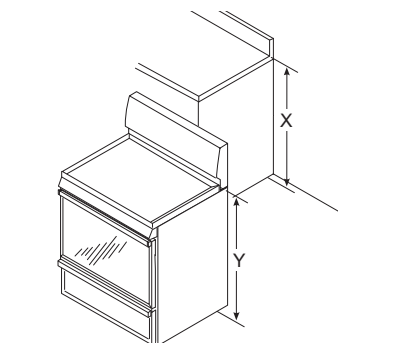
**D.** Deslice la unidad en su lugar.

**E.** Instale los estantes del horno en la unidad y coloque la cocina donde se instalará.

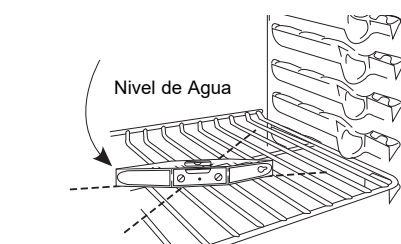
**F.** Controle la nivelación colocando un nivel de burbuja de aire sobre uno de los estantes del horno. Haga dos lecturas—con el nivel ubicado en diagonal primero en una dirección y luego en la otra.

**G.** Ajuste las patas de nivelación frontales hasta que la cocina quede nivelada.

**H.** Observe debajo de la unidad y verifique que la pata trasera esté completamente adherida al dispositivo antivolcaduras. De no ser así, retire la unidad y ajuste la altura de la pata trasera de modo que quede correctamente adherida.



**NOTA:** La placa de cocción debe estar a la misma altura o más arriba que la mesada.



## 4 INSTALACIÓN DE 4 ALAMBRES (CABLE DE CONEXIÓN A TIERRA SEPARADO)

**ADVERTENCIA** El cable neutral del circuito de suministro debe estar conectado a la terminal neutral ubicada en el centro inferior del bloque terminal. Los cables de energía deben estar conectados a las terminales inferior izquierda e inferior derecha del bloque terminal. El cuarto cable a tierra debe estar conectado al marco de la cocina con la placa de conexión a tierra y el tornillo a tierra.

**PARA INSTALACIÓN DE CABLE DE ENERGÍA**

**A.** Retire los 3 tornillos inferiores del bloque terminal. No afloje los tornillos superiores.

**B.** Retire el tornillo de conexión a tierra y la placa de conexión a tierra y retenga los mismos.

**C.** Corte la cinta de conexión a tierra que está debajo del bloque terminal, y descarte la sección inferior.

**D.** Inserte el tornillo de conexión a tierra, a través de la placa de conexión a tierra (retirada anteriormente) y nuevamente en la estructura de la cocina. Ajuste de forma segura, pero sin ajustar en exceso (entre 15 y 20 pulgadas/libra).

**E.** Inserte los 3 tornillos de la terminal a través de cada anillo terminal del cable de corriente y nuevamente al bloque terminal. Asegúrese de que el cable blanco se encuentre en el centro. Ajuste de forma segura cada tornillo (entre 35 y 50 pulgadas/libra).

**F.** Reinstale la tapa del bloque terminal.

**PARA INSTALACIÓN DE CONDUCTO PORTACABLES**

**A.** Retire los 3 tornillos inferiores del bloque terminal. No afloje los tornillos superiores.

**B.** Retire el tornillo de conexión a tierra y la placa de conexión a tierra y retenga los mismos.

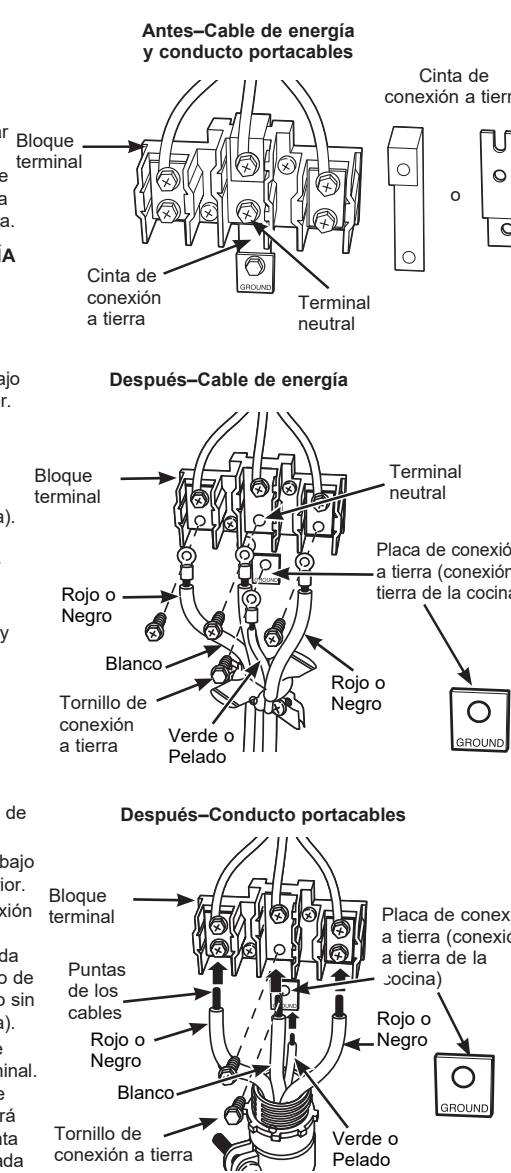
**C.** Corte la cinta de conexión a tierra que está debajo del bloque terminal, y descarte la sección inferior.

**D.** Inserte la punta del cable descubierto de conexión a tierra (sin aislante de 5/8") entre el marco de la cocina y la placa de conexión a tierra (retirada previamente) y asegure el mismo con el tornillo de conexión a tierra. Ajuste de forma segura, pero sin ajustar en exceso (entre 15 y 20 pulgadas/libra).

**E.** Inserte las puntas de los cables (sin aislante de 5/8") en las aberturas inferiores del bloque terminal. Asegúrese de que el cable blanco se encuentre en el centro. En ciertos modelos, el cable deberá ser insertado a través de una abertura de la cinta de conexión a tierra. Ajuste de forma segura cada tornillo en cada cable (entre 35 y 50 pulgadas/libra).

**F.** Reinstale la tapa del bloque terminal.

**NOTA:** Puede utilizarse cable de construcción de aluminio pero debe clasificarse para el amperaje y voltaje correctos para poder realizar la conexión.



## 10 LISTA DE CONTROL FINAL DE LA INSTALACIÓN

• Verifique que el interruptor de circuitos se encuentre cerrado (RESET) o que los fusibles del circuito se hayan reemplazado.

• Asegúrese de que se cuente con suministro eléctrico en el edificio.

• Controle que se haya quitado todo el material de empaque y la cinta. Esto incluye cinta sobre el panel de metal bajo las perillas de control (si corresponde), cinta adhesiva, ataduras de alambre, cartón y plástico protector. No quitar estos materiales puede provocar daños al electrodoméstico una vez que el aparato se haya encendido y las superficies se hayan calentado.

• Controle que la puerta y el cajón se encuentren paralelos y que los dos funcionen correctamente. Si no es así, consulte el Manual del propietario para un reemplazo adecuado.

• Controle que la pata de nivelación trasera esté bien introducida dentro del soporte anti-volcaduras y que el soporte se encuentre bien instalado.

### LISTA DE CONTROL DE FUNCIONAMIENTO

• Controle que el control del horno funcione correctamente. Si el control del horno no funciona de forma correcta, vuelva a controlar las conexiones de los cables.

• Asegúrese de que los controles de la cocina se encuentren en la posición OFF (apagado) antes de alejarse de la cocina.