

24" COMBI SPEED OVEN

700 SERIES OVEN



CODE ID

F7DSPD24S1



-  Microwave Cooking
-  Thawing
-  True Convection
-  Automatic Cooking
-  Cool Touch Door
-  Multi-level cooking

SPECIFICATIONS

OVEN

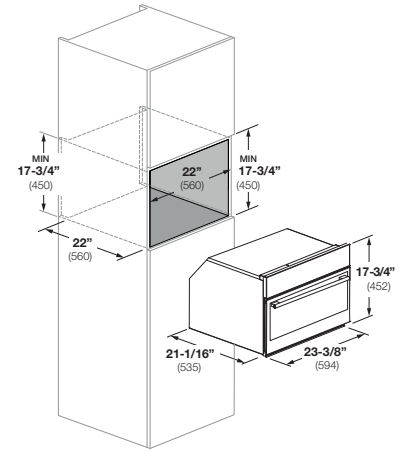
3 in 1 Oven:
Microwave, Convection, and Combi
Stainless Interior with broiler
Quick Access Menu
Single Keyboard
Automatic Programs
240 Volt Connection

PERFORMANCE

10 Combined Functions
Automatic Cooking
Pre-selected and customizable recipes
(weight, temperature, cooking time)
Microwave mode (6 levels)
Fan assisted mode
Combined Cooking mode
Microwave and Grill mode
Defrosting by time and weight

DISTINTO

24" COMBI SPEED OVEN



CODE ID		24" COMBI SPEED OVEN F7DSPD24S1	
Type	Microwave - Speed Oven		
Finish	Stainless steel		
Temperature Regulation	Electronic		
FUNCTIONS			
Microwave	•		
Convection roast	•		
Convection broil	•		
Broil	•		
Recipes	•		
Oven Lights	•		
CONTROL PANEL			
Control type	Dual Full Touch Keyboard - Electronic		
Display	TFT 3.5"		
Menu Recipes	•		
Language	4		
SPECIAL FEATURES			
12/24 hour clock format	•		
°C/°F	•		
OVEN DOOR(S)			
Cool door	•		
OVEN CAPACITY			
Gross Capacity (cuft)	1.2		
Usable Capacity (cuft)	1.0		
Cavity Enamel Color	Stainless Steel		
Rack Positions	3		
Oven Lights	1x20W Halogen		
Broil Upper Heating Element	1500W (240V)		
Convection Element Wattage	2300W (240V)		
ACCESSORIES			
Chrome racks	1		
Stainless Steel Tray	•		
SIZE			
Overall dim - width	23 - 3/8"		594 mm
Overall dim - height	17 - 3/4"		452 mm
Overall dim - depth	21 - 1/2"		546 mm
Recess (LxHxP) in/mm	(23 - 3/8" x 18" x 22")		(560 x 458 x 560 mm)
POWER / RATINGS			
KW/Amps rating at 240V, 60Hz	3.4kW - 14A		
KW/Amps rating at 208V, 60Hz	2.7kW - 13A		
Cable + Conduit	•		
INSTRUCTION FOR USE			
Use & Care Manual / Installation Manual	EN, SP, FR		