

## POLAR

### Version

FDPLR15I5SS-R / Island – 15"  
(40 cm) 500 CFM

### Collection

Design

### EAN code

8034122331393

## FEATURES

**Scotch brite stainless steel (AISI 304)**  
**Electronic control**  
**LED lighting**  
**Top filter, removable and washable**  
**Optional charcoal filter**  
**SRS Speed reduction system**

Recommended mounting height from cooking surface to hood bottom: 24" - 35"

## OPTIONAL ACCESSORIES

### FDNUVMTR600

FDNUVMTR600 - Motor 600 CFM

### FFCHAR3C0BL

FFCHAR3C0BL - Round charcoal filter Ø 6" - Type 6

### KACL.802

Glass island

### KACL.815

Protective cleaning cloths for stainless steel (box 10 pcs)

## TECHNICAL FEATURES

### Installation type

Island

### Dimensions

15 / 35 cm

### Finish

Scotch brite stainless steel (AISI 304)

### Motor

500 CFM

### Type of control

Electronic control

### Speed settings

4

### Lighting

Led 3x1,2 W - 3200 K

### Charcoal filter

FFCHAR3C0BL - Round charcoal filter Ø 6" - Type 6 (optional)

### Minimum distance

Gas hob: 24 in

Electric hob: 21 in



Photograph is for information purposes only  
May not correspond to the selected version

## PACKAGING:WEIGHTS AND VOLUMES

### Gross weight

64 lbs

### Net weight

53 lbs

### Volumes

11 ft<sup>3</sup>

### Packaging size

Length

40 in

Height

20 in

Depth

24 in

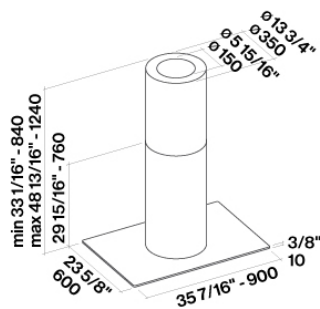
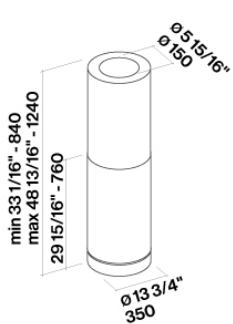
## CONSUMPTION AND CONNECTION FEATURES

### Maximum consumption

280 W

### Plug type

Hood comes standard with Nema 5-15P power cord



Hood with optional glass  
(FDPGL36I0TG)