

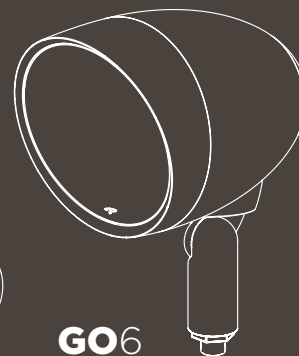


Paradigm[®]

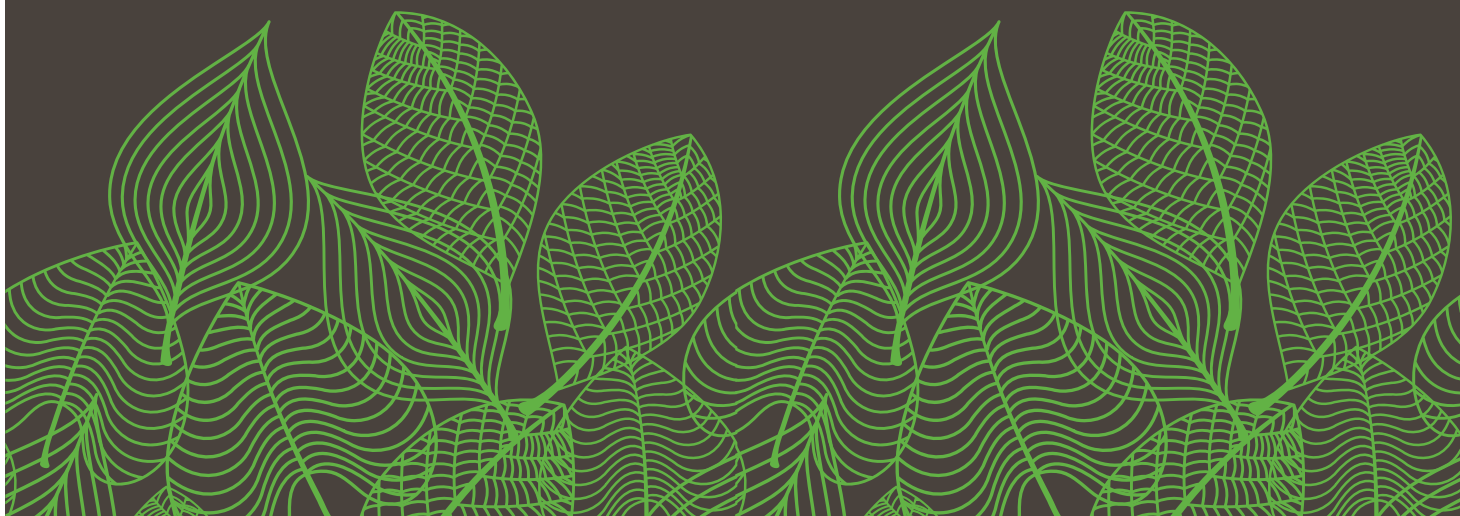
**Garden
Oasis**



GO4



GO6



GO4 | Outdoor
GO6 | Satellite
Speakers

OWNER'S MANUAL

TABLE OF CONTENTS

Overview	3
Garden Oasis Premium Satellite Speakers	3
Required Tools	3
Power	3
Planning The Install	4
Wiring Recommendations	5
Installation Considerations	5
Wiring & Speaker Installation	6
Mono Setup Using 4 Conductor Burial Cable & Crown Amplifier	6
Preparing the 4 Conductor Burial Cable	6
Installing Ground Stake Accessory & Attaching Speaker	7
Installing Surface Mount Accessory & Attaching Speaker	9
Speaker & Burial Cable Connections	11
Speaker Direction & Settings	11
Optional Inground Conduit Box	12
OPTION 1: PVC Conduit Installation	12
OPTION 2: Burial Cable Installation	12
Test System	13
To Avoid Speaker Damage	14
Listening Outdoors	14
Off Season Speaker Cover	14
Audio Settings Chart	15
Limited Warranty	16

OVERVIEW

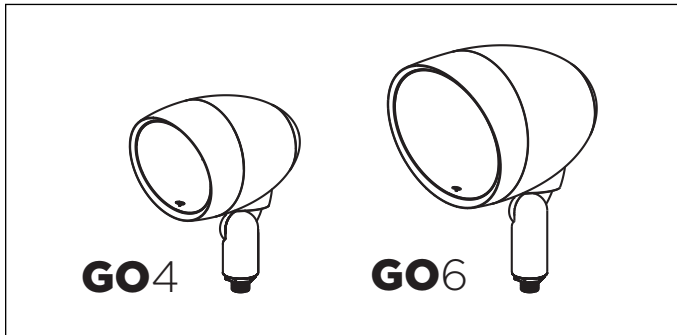
Garden Oasis Premium Satellite Speakers

The Garden Oasis series Satellite speakers are premium sounding all season outdoor speakers ideal for backyards ranging from 2,000 to 3,000 sq. feet.

GO4 and GO6 are sold individually and can be ordered in accordance with the area to be covered.

Made of durable UV treated ABS plastic, Garden Oasis speakers can endure the elements while providing years of trouble free service.

While installation is relatively easy, Paradigm's Garden Oasis series is designed to be installed by your authorized Paradigm dealer.



WARNING!



- *ACCOUNT FOR POTENTIAL ELECTRICAL, GAS, BURIED CABLES, PLUMBING OR OTHER OBSTACLES BEFORE INSTALLING GROUND STAKES.*



- *MANY LOCALITIES FORBID DIGGING WITHOUT PRIOR NOTIFICATION. CONTACT LOCAL AUTHORITIES BEFORE INSTALLATION.*



- *READ AND FOLLOW all instructions before beginning installation.*



PLEASE NOTE: CONTENTS OF GO4 AND GO6 SATELLITE SPEAKERS DO NOT CONTAIN MOUNTING OPTIONS. YOU MUST PURCHASE MOUNTING OPTIONS SEPARATELY:

Contents of GO4 and GO6:

- (1) Speaker with Mounting Arm
- (1) Off-Season Speaker Cover
- (2) Silicone-Filled Wire Connectors

Mounting Options *(Sold Separately)*:

- Ground Stake
- Surface Mount
- Inground Conduit Box

Required Tools:

- Shovel
- Cable Strippers
- Phillips Screwdriver
- Wrench

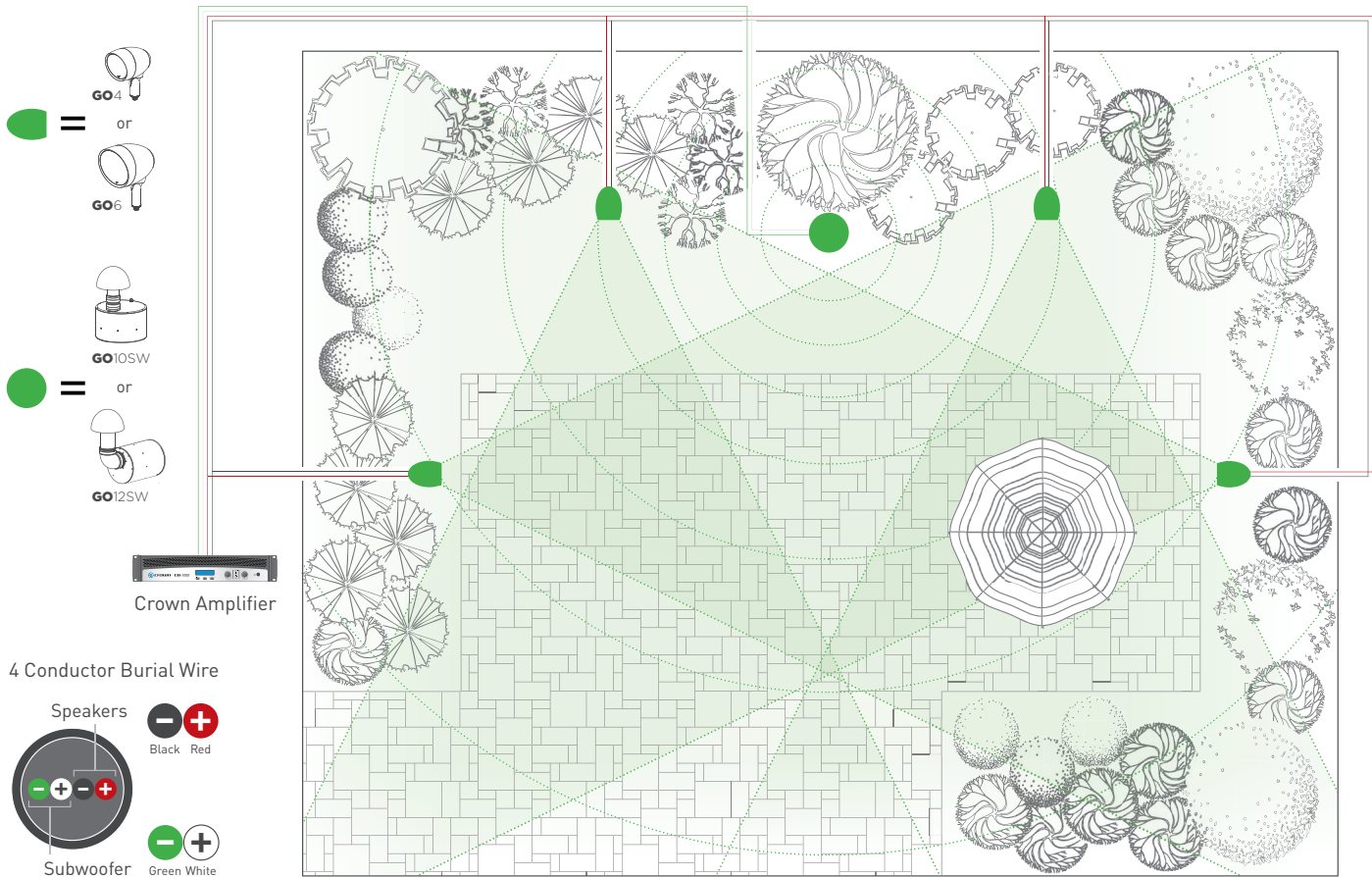
Power

Crown Amplifier (available direct from Paradigm).

The Paradigm GO4 and GO6 are passive speakers. These speakers are optimized for use with the Crown CDi 1000 amplifier which is pre-programmed with customized DSP settings for a variety of different speaker/subwoofer installation scenarios.

PLANNING THE INSTALL

- Identify the location.
- Determine the positioning of subwoofer and satellite speakers.
- Dig the trench according to speakers and accessories to be installed.
- The trench should be 6"-8" deep.



CABLE RECOMMENDATIONS

We strongly recommend using burial-rated cable (not included) when installing any of the Garden Oasis Satellite Speakers. In addition, it's critical to use the proper speaker cable gauge. Please review the chart below.

CABLE GAUGE CHART	
Cable Gauge	Distance
18 Gauge	Up to 100 feet (30 meters)
16 Gauge	Up to 150 feet (45 meters)
14 Gauge	Up to 200 feet (61 meters)
12 Gauge	Up to 400 feet (122 meters)
10 Gauge	Up to 650 feet (198 meters)

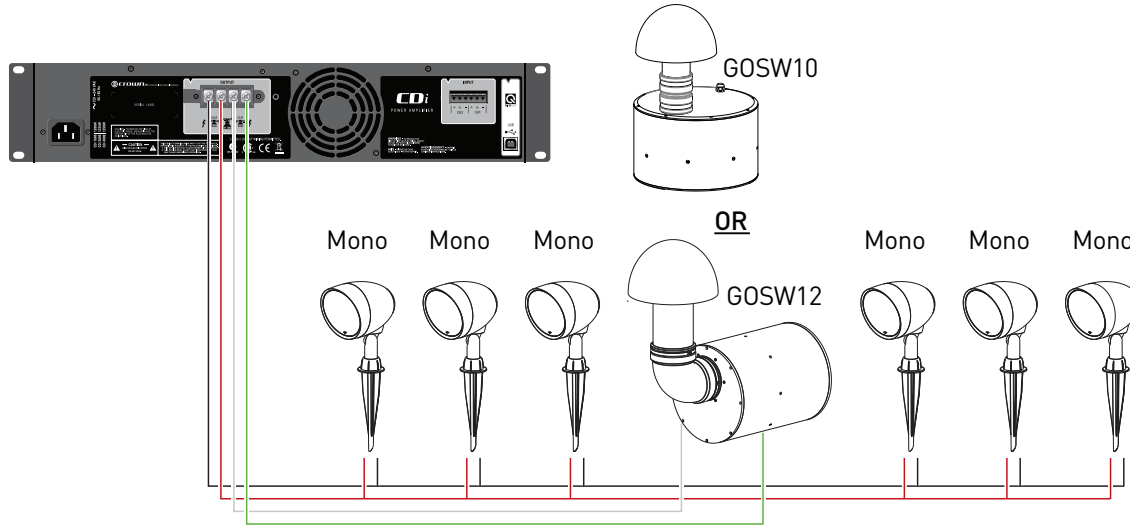
INSTALLATION CONSIDERATIONS

There are a few considerations before you start digging a trench:

- Ensure that ALL Speakers are tested prior to installation.
- Ensure that the proposed area is easily accessed and that the area is not prone to flooding, standing water or where the speakers can be easily damaged, kicked or struck.
- Consider Overall Landscape/Garden Design and positioning in relation to listening area

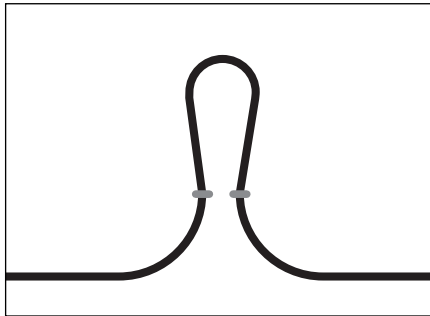
WIRING & SPEAKER INSTALLATION

Mono Setup Using 4 Conductor Burial Cable & Crown Amplifier

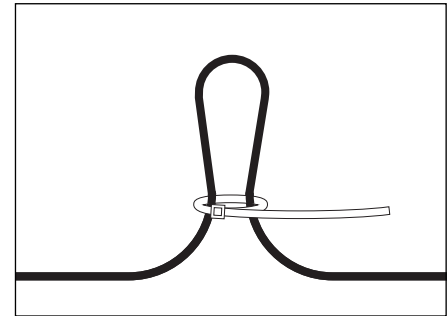


Preparing the 4 Conductor Burial Cable

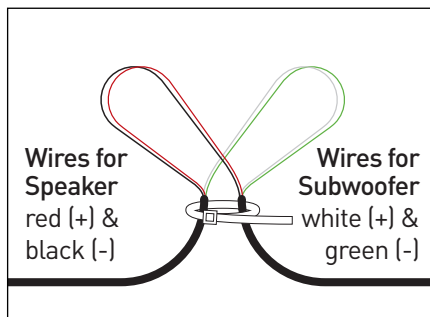
1. Starting with the first speaker and every speaker/sub that comes after, create a loop approximately 6" in length.



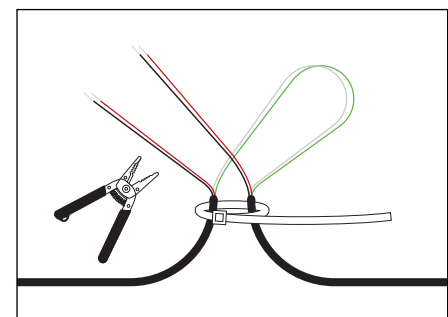
2. Recommended: Use a wire tie (not included) to keep the wire loop intact and act as a strain relief.



3. Use a Round Cable Stripper to remove the outside protective cable jacket to expose the four color-coded wires. Separate the wire loops as shown.



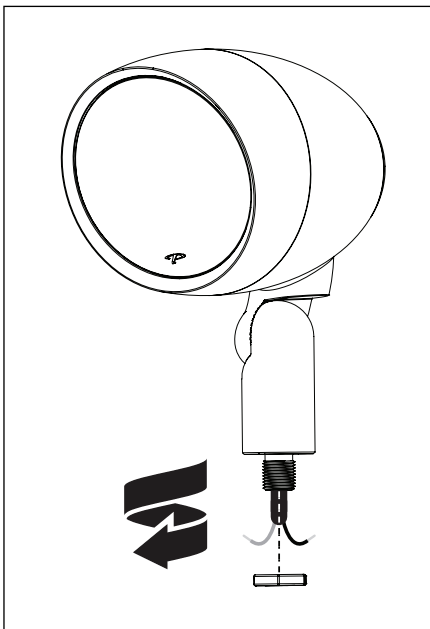
4. Cut the red (+) and black (-) wires with cable strippers and strip off 1 inch (25.4mm) of insulation from the ends if the wires to expose the copper conductor.



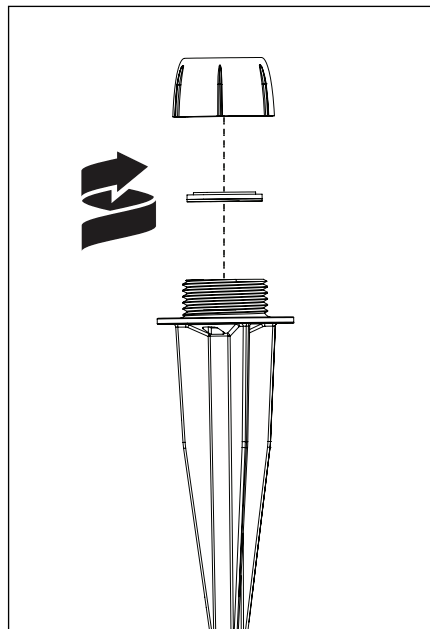
WIRING & SPEAKER INSTALLATION (CONT'D)

Installing Ground Stake Accessory & Attaching Speaker

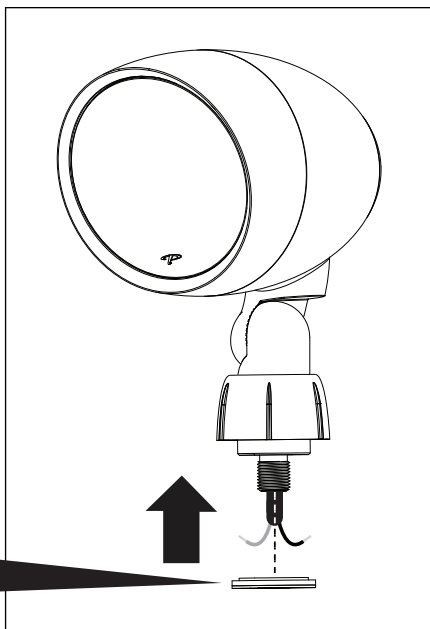
1. Remove nut from the threaded end of the speaker arm.



2. Remove the twist cap and gasketed aluminum washer from the ground stake accessory.

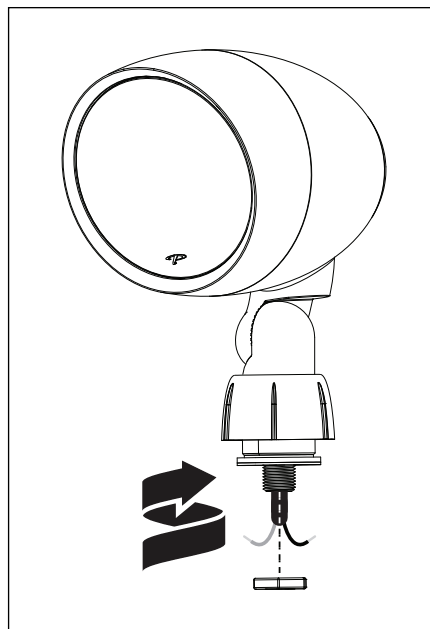


3. Slide the twist cap over the speaker arm then slide the gasketed aluminum washer (from the ground stake) over the threaded end of speaker arm.

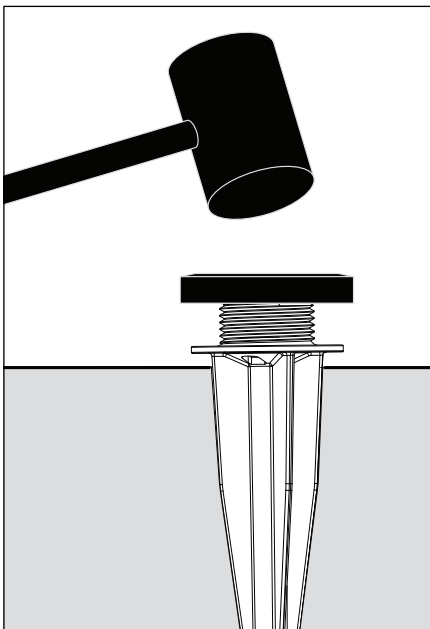


IMPORTANT!
The face of the aluminum washer with the smaller rubber gasket must be facing up.

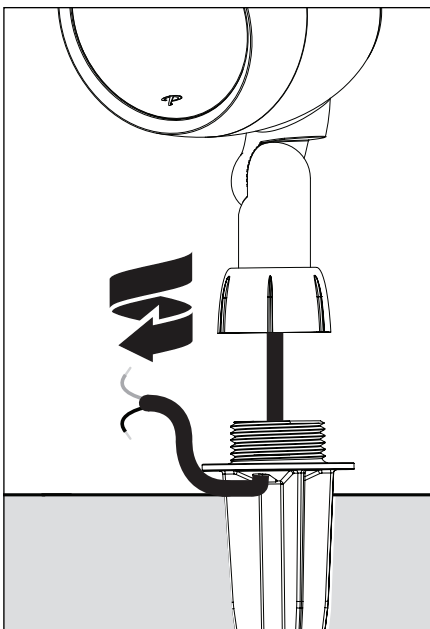
4. Using a wrench, thread and firmly tighten the nut (removed in step 1) over the threaded end of the speaker arm.



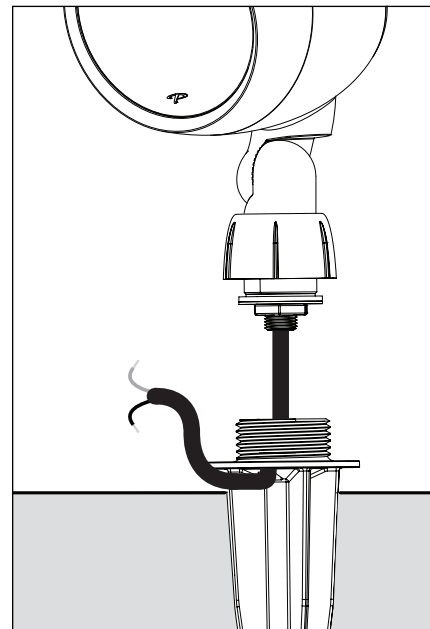
5. Using a mallet and a wooden block, pound the ground stake into the ground. Drive the ground stake down until the ground stake flange is nearly flush with the surface. **Note:** Leave a slight gap between the ground stake flange and the ground surface in order to thread speaker wiring through the wiring hole in the ground stake.



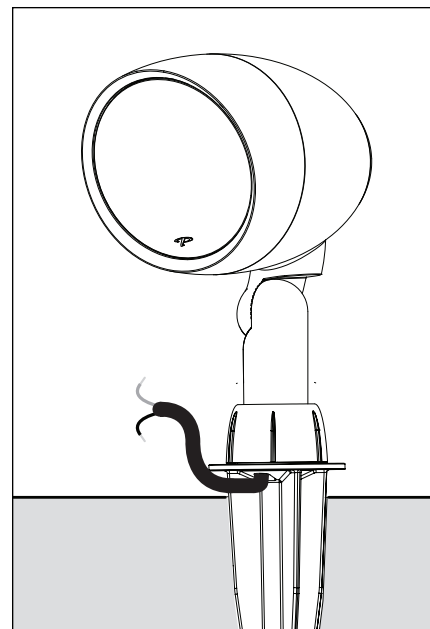
7. To attach the speaker to the ground stake, hand thread the twist cap to the ground stake.



6. Thread the speaker's wiring through the wiring hole in the ground stake.



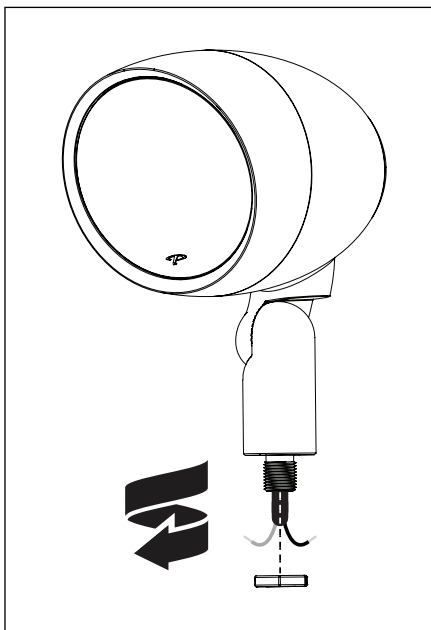
8. The speaker is now mounted to the ground stake. The next step is wiring, go the 'Wiring' section for instructions.



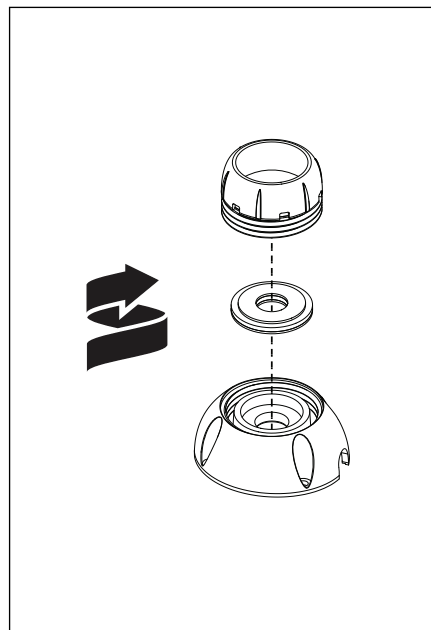
WIRING & SPEAKER INSTALLATION (CONT'D)

Installing Surface Mount Accessory & Attaching Speaker

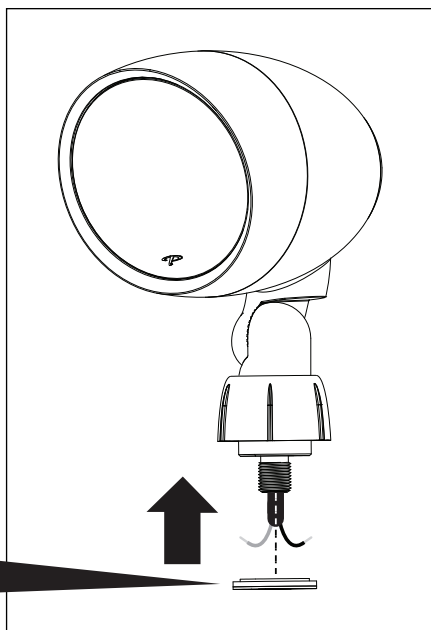
1. Remove nut from the threaded end of the speaker arm.



2. Remove the twist cap and gasketed aluminum washer from the surface mount accessory.

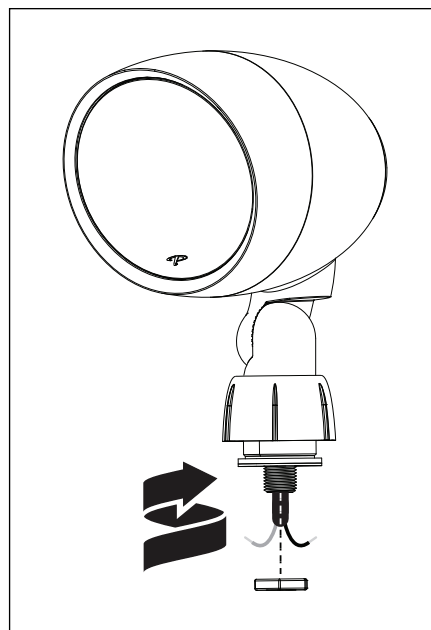


3. Slide the twist cap over the speaker arm then slide the gasketed aluminum washer (from the ground stake) over the threaded end of speaker arm.

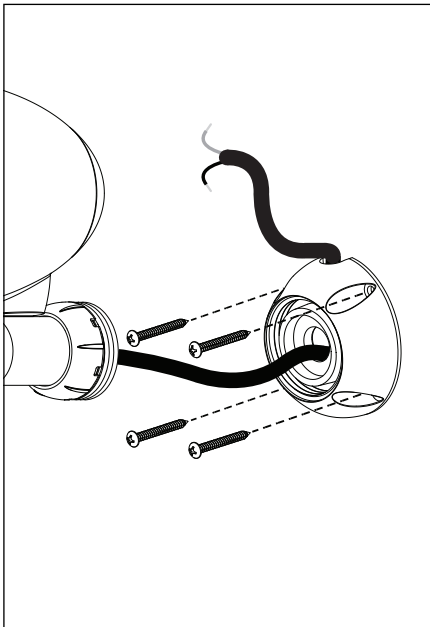


IMPORTANT!
The face of the aluminum washer with the smaller rubber gasket must be facing up.

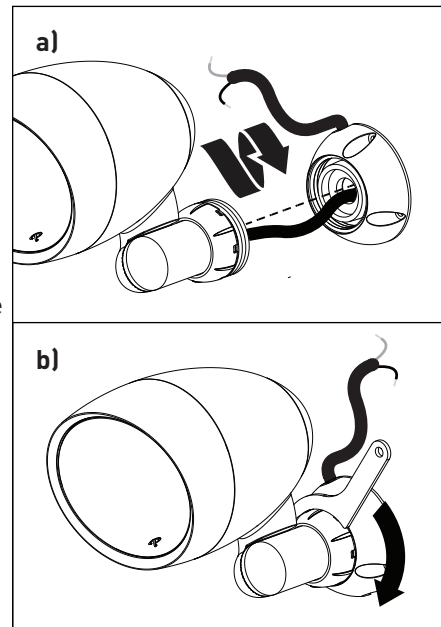
4. Using a wrench, thread and firmly tighten the nut (removed in step 1) over the threaded end of the speaker arm.



5. Thread the speaker wire through the center hole and out of the wire opening on the surface mount base. Place surface mount base flush against the surface you wish to install your speaker. To attach surface mount base to the surface, use appropriate screws (not supplied) for your installation. For specifications on screws, see your dealer for details.



6. To attach the speaker to the surface mount base: **a)** First hand thread the twist cap to the surface mount base. **b)** Now firmly tighten the twist cap with the provided wrench.



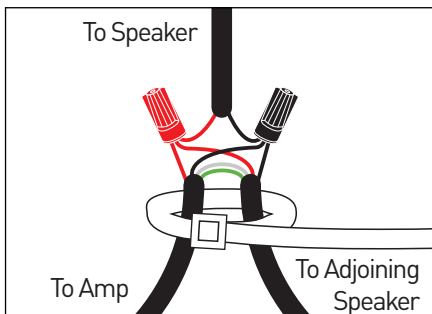
Note: For a wall mounted installation where a wire connection is contained within the surface mount base, please follow these instructions. It is recommended that the speaker wire be cut short and the wire sleeve should be removed to expose the red (+) and black (-) wires. Follow steps 6 a-b, but do not attach the assembled speaker with surface mount base until your wire connections are made with silicone-filled wire connectors covering the exposed wire connections. The wire connections with silicone-filled wire connectors must be stuffed inside the surface mount base before attaching to the desired surface with appropriate screws (not supplied) for your installation. For specifications on screws, see your dealer for details.

For wiring instructions see 'Speaker & Burial Cable Connections' on page 11.

WIRING & SPEAKER INSTALLATION (CONT'D)

Speaker & Burial Cable Connections

Combine and twist (clockwise) the red wires (as shown in the diagram) from the amp, speaker and to the next speaker. Secure these three wires using the provided silicone-filled wire connectors;



Repeat procedure for Black wires. **NOTE:** you may have to cut some of the speaker cable emanating from the speaker to a more manageable size.

Speaker Direction & Settings

1. Aim the speaker by loosening the screw in the speaker arm and re-tightening once the desired aim is achieved.
2. Once your system is setup, set the dial on each satellite speaker to correspond with the number of satellite speakers and subwoofers in the installation (see 'Audio Settings Chart' on page 15).



OPTIONAL INGROUND CONDUIT BOX

Following the same instructions outlined for the ground stake or surface mount accessory. The Garden Oasis Inground Conduit Box can be substituted. Knock out holes in the Inground Conduit Box as needed. Conduit is sold separately.

Included:

- (1) Inground Conduit Box
- (1) Two Piece Mounting Post
- (8) Stainless Steel Screws
- (4) Ground Stakes

Recommended Tools:

- Drill
- PVC Glue – for PVC conduit or fittings
- Silicone Caulk
- Shovel
- Hammer
- #2 Phillips Screwdriver
- Wrench

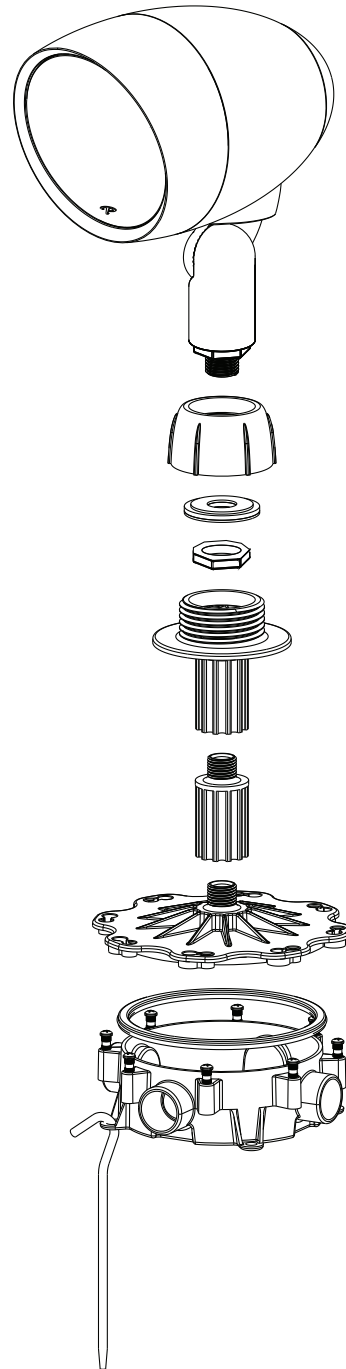
Installation Instructions



***IMPORTANT!** Test your system before gluing or caulking any part of the Inground Conduit Box or any conduit piping connections. Use silicone caulk to seal any openings used for cable. Allow caulk and glue to dry completely before burying the Inground Conduit Box.

OPTION 1: PVC Conduit Installation – Knock out the conduit openings to be used. Glue the conduit piping to the Inground Conduit Box.* Draw the cable through the conduit and pull at least 8 inches of cable into the box cavity.

Note: The Inground Conduit Box openings are 3/4" in diameter. Other conduit piping sizes may be used with adapters.



OPTIONAL INGROUND CONDUIT BOX (CONT'D)

OPTION 2: Inground Cable Installation – Drill a hole into the center of the knock out slightly larger than the cable. Route the cable through and pull at least 8 inches of cable into the box cavity. Seal the entrance completely with silicone.* Place the Inground Conduit Boxes in their appropriate trench location, ensuring a minimum depth of 6 inches.

3. Install the satellite speaker to the Inground Conduit Box lid, using the two piece post. Use silicone in the threads to enhance sealing of the Inground Conduit Box against moisture.*
4. Use the silicone-filled wire connectors included with the speaker to terminate the wiring connections. Turn the silicone-filled wire connectors clockwise by hand until they are tight.

5. The box may now be closed. A weatherproof gasket is attached to the cover, but for additional water intrusion protection, line the inside edge of the cover with silicone where it contacts the box, then assemble the box using the 8 screws.* Tighten the screws tightly by hand with a #2 screwdriver.
6. Anchor Inground Conduit Box in the hole using the 4 provided stakes. Install all speakers and test the system before burying the boxes and wiring.
7. Using a screw driver, adjust the speaker angle and position last.

*See **'Important!'** notice on the previous page.

TEST SYSTEM

After all satellites and subwoofer connections are completed, connect the wires to your receiver or amplifier.

IMPORTANT: Be sure not to let any stray '+' and '-' strands touch each other. Touching strands will cause a short circuit which could damage your amplifier.

Turn your receiver or amplifier 'On' and test the system with your favorite music. If the speakers are operating properly, refill the wire trench and enjoy your new speakers.

TO AVOID SPEAKER DAMAGE

Don't be fooled by your amplifier's volume control. It adjusts listening level—it does not indicate power output. If your speakers begin to sound harsh or grating, or if you hear the bass breaking up, turn the volume down immediately or you will damage your speakers! This type of damage constitutes abuse and is not covered by the warranty!

Tone controls and equalizers can demand even more power from an amplifier, lowering the point at which it produces clipping distortion. Use them sparingly, if at all, and do not use them when listening at loud levels.

LISTENING OUTDOORS

Outdoors there are no walls to contain sound. Background noise is louder and the distance listeners are from the speaker(s) is usually greater. Achieving a reasonable listening level can be more difficult. The tendency is to turn up the volume, however this may disturb neighbors and when turned up too high, can seriously damage the speakers or your amplifier.

The solution? In larger areas we recommend using multiple Paradigm Garden Oasis speakers. Using more speakers ensures that sound is evenly distributed, allowing for reasonable listening levels at lower volumes. Demand on the amplifier is reduced and neighbors are not disturbed. Think of it this way: When lighting a large outdoor area, using multiple floodlights on a dimmer set to a low setting is far more effective than using a single floodlight with the dimmer set to high.

OFF SEASON SPEAKER COVER

During the off season, when your speakers are not in use for prolonged periods, you can cover your speakers from the elements using the cover included. This cover is breathable, while protecting your speaker for harsh, inclement weather.

AUDIO SETTINGS CHART

INSTALLATION USING LONG WIRES (100 feet or longer)							
	CHANNEL #1 ON AMP	CHANNEL #2 ON AMP	PRESETS ON CROWN AMP	PRESET NAME	POWER OUTPUT	SET DIAL ON SATELLITE SPEAKER	
	<i>Wire Product to Channel #1 on the Crown Amplifier</i>	<i>Wire Product to Channel #2 on the Crown Amplifier</i>	<i>Select the Preset number on the Crown Amplifier specified below</i>		<i>Signal level provided to subwoofer / speakers</i>	<i>Remove the cap from the rear of the satellite speaker and position the dial to the appropriate wattage setting below</i>	
G010SW or G012SW plus G04 or G06 satellite speakers	G010SW	G04	Preset 2 for G010SW and G04	G04_10SW	8 ohm / 70V hybrid	Speakers: 1-12	30W (or less)
	G010SW	G06	Preset 3 for G010SW and G06	G06_10SW	8 ohm / 70V hybrid	Speakers: 13-24	15W (or less)
	G012SW	G04	Preset 4 for G012SW and G04	G04_12SW	8 ohm / 70V hybrid	Speakers: 25-50	7.5W (or less)
	G012SW	G06	Preset 5 for G012SW and G06	G06_12SW	8 ohm / 70V hybrid	Speakers: 50-100	3.8W (or less)
NO subwoofer and G04 or G06 satellite speakers	G04	G04	Preset 10 for G04 in Mono	GO_4_MO	NA / 70V	Speakers: 1-12	30W (or less)
	G06	G06	Preset 11 for G06 in Mono	GO_6_MO	NA / 70V	Speakers: 13-24	15W (or less)
	G04	G04	Preset 12 for G04 in Stereo	GO_4_ST	NA / 70V	Speakers: 25-50	7.5W (or less)
	G06	G06	Preset 13 for G06 in Stereo	GO_6_ST	NA / 70V	Speakers: 50-100	3.8W (or less)

INSTALLATION USING SHORT WIRES (less than 100 feet) FOR 4 OR FEWER SPEAKERS							
	CHANNEL #1 ON AMP	CHANNEL #2 ON AMP	PRESETS ON CROWN AMP	PRESET NAME	POWER OUTPUT	SET DIAL ON SATELLITE SPEAKER	
	<i>Wire Product to Channel #1 on the Crown Amplifier</i>	<i>Wire Product to Channel #2 on the Crown Amplifier</i>	<i>Select the Preset number on the Crown Amplifier specified below</i>		<i>Signal level provided to subwoofer / speakers</i>	<i>Remove the cap from the rear of the satellite speaker and position the dial to the appropriate wattage setting below</i>	
G010SW or G012SW plus 4 or less G04 or G06 satellite speakers	G010SW	G04	Preset 6 for G010SW and G04	8G0410SW	8 ohm / 8ohm	8ohms	
	G010SW	G06	Preset 7 for G010SW and G06	8G0610SW	8 ohm / 8ohm		
	G012SW	G04	Preset 8 for G012SW and G04	8G0412SW	8 ohm / 8ohm		
	G012SW	G06	Preset 9 for G012SW and G06	8G0612SW	8 ohm / 8ohm		
No Subwoofer and 4 or less G04 or G06 satellite speakers	G04	G04	Preset 14 for G04 in mono	8GO_4_MO	NA / 8ohm	8ohms	
	G06	G06	Preset 15 for G06 in mono	8GO_6_MO	NA / 8ohm		
	G04	G04	Preset 16 for G04 in stereo	8GO_4_ST	NA / 8ohm		
	G06	G06	Preset 17 for G06 in stereo	8GO_6_ST	NA / 8ohm		

LIMITED WARRANTY

Paradigm® Garden Oasis™ Satellite Speakers are warranted to be and remain free of manufacturing and/or material defects for a period of **three (3)** years from the date of original purchase. Within the time period specified, repair, replacement or adjustment of parts for manufacturing and/or material defects will be free of charge to the original owner. Thermal or mechanical abuse/misuse is not covered under warranty.

Limitations:

- Warranty begins on date of original retail purchase from an Authorized Paradigm® Dealer only. It is not transferable.
- Warranty applies to product in normal residential use only. If product is subjected to any of the conditions outlined in the next section, warranty is void.
- Warranty does not apply if the product is used in professional or commercial applications.
- Warranty also excludes normal cosmetic deterioration caused by environmental conditions.

Warranty is Void if:

- The product has been abused (intentionally or accidentally).
- The product has been used in conjunction with unsuitable or faulty equipment.
- The product has been subjected to damaging signals, derangement in transport, mechanical damage or any abnormal conditions.
- The product (including cabinet) has been tampered with or damaged by an unauthorized service facility.
- The serial number has been removed or defaced.

Owner Responsibilities:

- Provide normal/reasonable operating care and maintenance.
- Provide or pay for transportation charges for product to service facility.
- Provide proof of purchase (your sales receipt given at time of purchase from your Authorized Paradigm® Dealer must be retained for proof-of-purchase date).

Should servicing be required, contact your nearest Authorized Paradigm® Dealer, Paradigm Electronics Inc. or Import Distributor (outside the U.S. and Canada) to arrange, bring in or ship prepaid, any defective unit. Visit our website, www.paradigm.com for more information.

Paradigm Electronics Inc. reserves the right to improve the design of any product without assuming any obligation to modify any product previously manufactured.

This warranty is in lieu of all other warranties expressed or implied, of merchantability, fitness for any particular purpose and may not be extended or enlarged by anyone. In no event shall Paradigm Electronics Inc., their agents or representatives be responsible for any incidental or consequential damages. Some jurisdictions do not allow limitation of incidental or consequential damages, so this exclusion may not apply to you.

Retain this manual and your sales receipt for proof of warranty term and proof of purchase.

NOTES



Paradigm[®]

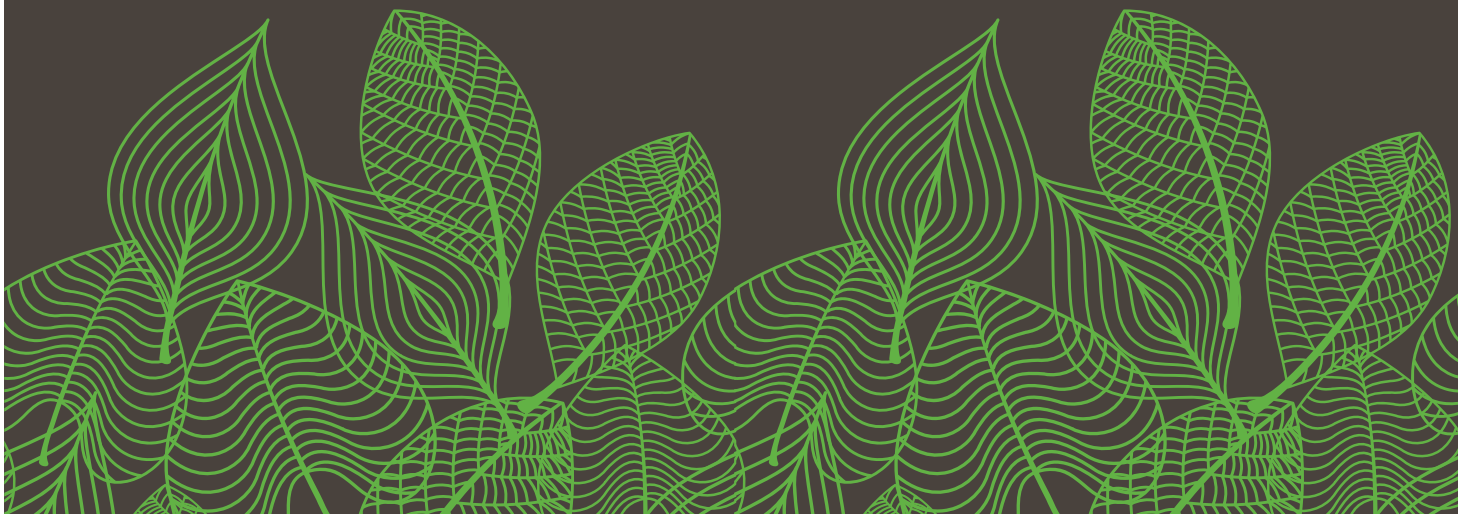
Garden
Oasis



GO4



GO6



GO4
GO6

Enceintes
satellites
extérieures

MANUEL DE L'UTILISATEUR

TABLE DES MATIÈRES

Aperçu	3
Enceintes satellites premium Garden Oasis	3
Outils nécessaires	3
Alimentation	3
Planification de l'installation	4
Recommandations en matière de câbles	5
Facteurs liés à l'installation	5
Installation des câbles et des enceintes	6
Configuration mono à l'aide de 4 câbles conducteurs souterrains et d'un amplificateur Crown	6
Préparation des 4 câbles conducteurs souterrains ...	6
Installation d'accessoire de piquet de terre et fixation des enceintes	7
Installation d'accessoire de montage en surface et fixation des enceintes	9
Raccordement entre l'enceinte et le câble souterrain ..	11
Orientation et paramètres des enceintes	11
Boîte de raccordement souterraine facultative	12
OPTION 1 : Installation avec conduit en PVC	12
OPTION 2 : Installation avec câble souterrain	12
Tester le système	13
Pour éviter les dommages aux enceintes	14
Écoute à l'extérieur	14
Couvercle d'enceinte hors saison	14
Tableau des pré réglages	15
Garantie limitée	16

APERÇU

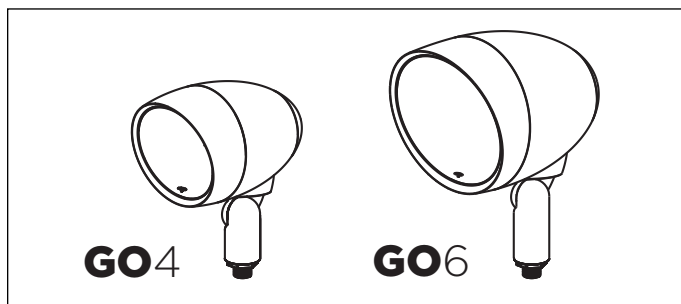
Enceintes satellites premium Garden Oasis

Les enceintes satellites de la série Garden Oasis sont des enceintes extérieures toutes saisons au son exceptionnel, parfaites pour les cours de 2000 à 3 000 pieds carrés.

Les modèles GO4 et GO6 sont vendus individuellement et peuvent être commandés en fonction de la zone à couvrir.

Faites de plastique ABS durable traité contre les rayons UV, les enceintes Garden Oasis peuvent résister aux éléments tout en offrant des années de fonctionnement sans tracas.

Bien que l'installation soit relativement facile, les enceintes de la série Garden Oasis de Paradigm sont conçues pour être installées par votre revendeur Paradigm autorisé.



MISE EN GARDE!



- *TENEZ COMPTE DES FILS ÉLECTRIQUES, DES CONDUITES DE GAZ, DES CÂBLES SOUTERRAINS, DES TUYAUX DE PLOMBERIE ET DES AUTRES OBSTACLES AVANT D'INSTALLER LES PIQUETS DE TERRE.*



- *DE NOMBREUSES LOCALITÉS INTERDISENT DE CREUSER SANS PRÉAVIS. COMMUNIQUEZ AVEC LES AUTORITÉS LOCALES AVANT L'INSTALLATION.*



- *VEUILLEZ LIRE ET SUIVRE toutes les instructions avant de commencer l'installation.*



VEUILLEZ NOTER : LE CONTENU DES ENCEINTES SATELLITES GO4 ET GO6 NE COMPREND PAS LES OPTIONS DE MONTAGE. VOUS DEVEZ ACHETER LES OPTIONS DE MONTAGE SÉPARÉMENT.

Contenu de GO4 et GO6 :

- (1) Enceinte avec bras de montage
- (1) Couvert d'enceinte hors saison
- (2) Capuchons de câble remplis de silicone

Options de montage (vendues séparément) :

- Piquet de terre
- Montage en surface
- Boîte de raccordement souterraine

Outils nécessaires :

- Pelle
- Pinces à dénuder
- Tournevis Phillips
- Clé à molette

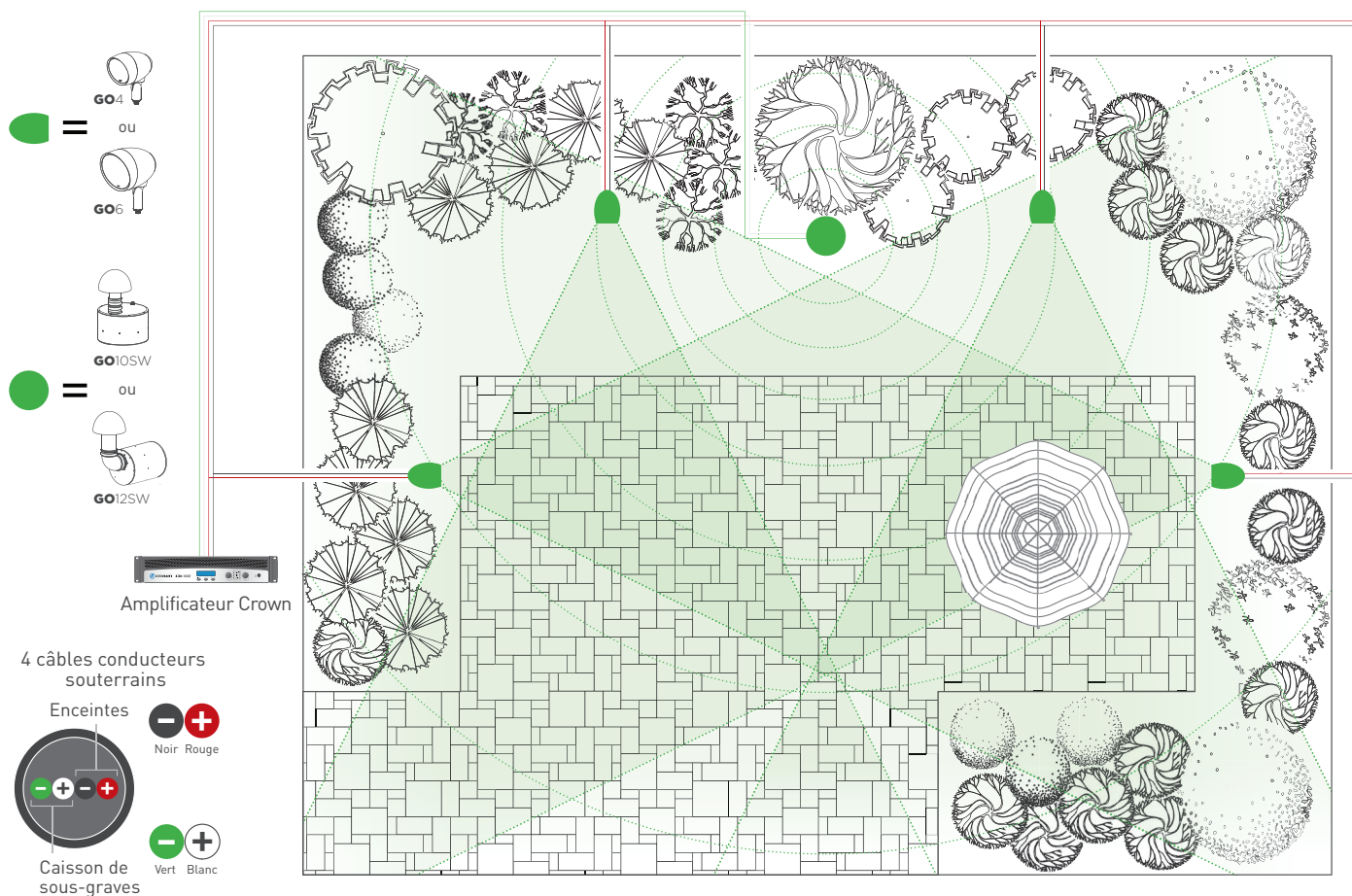
Alimentation

Amplificateur Crown (disponible directement de Paradigm).

Les enceintes CO4 et CO6 de Paradigm sont des enceintes passives. Ces enceintes sont optimisées pour une utilisation avec l'amplificateur Crown CDi 1000 qui est préprogrammé avec des paramètres DSP sur mesure pour différents scénarios d'installation d'enceintes/caissons de sous-graves.

PLANIFICATION DE L'INSTALLATION

- Déterminez l'emplacement.
- Déterminez le positionnement du caisson de sous-graves et des enceintes satellites.
- Creusez la tranchée en fonction des enceintes et des accessoires à installer.
- La tranchée doit avoir une profondeur de 6 à 8 po.



RECOMMANDATIONS EN MATIÈRE DE CÂBLES

Nous vous recommandons fortement d'utiliser un câble de type souterrain (non compris) lorsque vous installez tout type d'enceinte satellite Garden Oasis. De plus, il est essentiel d'utiliser le bon calibre de câble d'enceinte. Veuillez consulter le tableau ci-dessous.

TABLEAU DE CALIBRE DE CÂBLE	
Calibre de câble	Distance
Calibre 18	Jusqu'à 100 pieds (30 mètres)
Calibre 16	Jusqu'à 150 pieds (45 mètres)
Calibre 14	Jusqu'à 200 pieds (61 mètres)
Calibre 12	Jusqu'à 400 pieds (122 mètres)
Calibre 10	Jusqu'à 650 pieds (198 mètres)

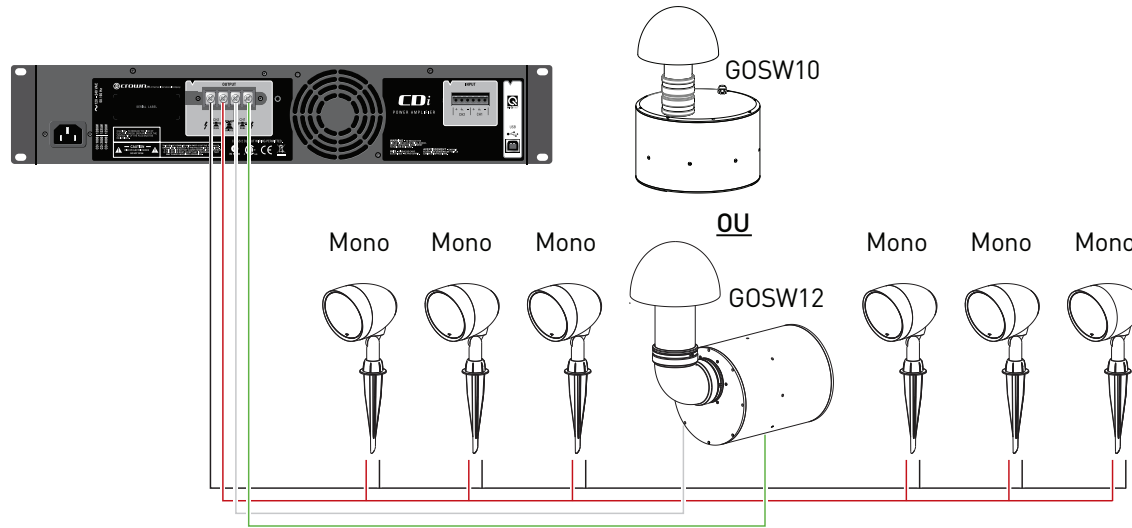
FACTEURS LIÉS À L'INSTALLATION

Vous devez examiner certains facteurs avant de commencer à creuser une tranchée :

- Assurez-vous que TOUTES les enceintes sont testées avant l'installation.
- Assurez-vous que la zone envisagée est facilement accessible et qu'elle n'est pas exposée aux inondations, à l'eau stagnante, ou que la zone n'est pas un endroit où les enceintes peuvent être endommagées, écrasées ou frappées.
- Réfléchissez au design de la cour et à l'aménagement paysager général en lien avec la zone d'écoute.

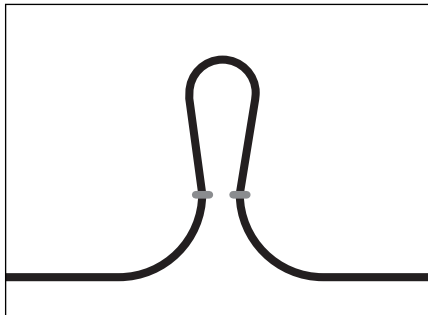
INSTALLATION DES CÂBLES ET DES ENCEINTES

Configuration mono à l'aide de 4 câbles conducteurs souterrains et d'un amplificateur Crown

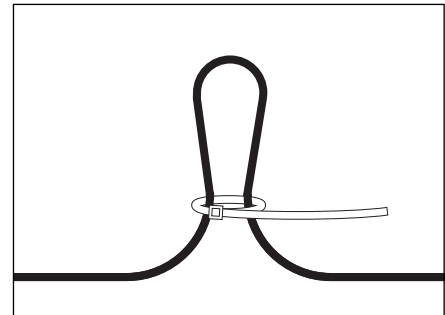


Préparation des 4 câbles conducteurs souterrains

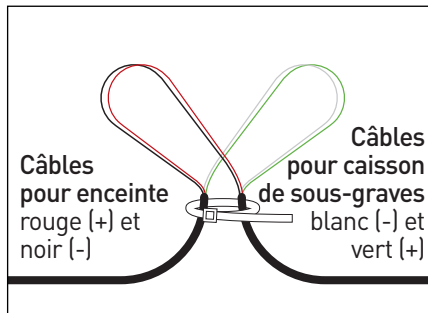
1. En commençant par la première enceinte et chaque enceinte/caisson qui vient après, créez une boucle d'une longueur d'environ 6 po.



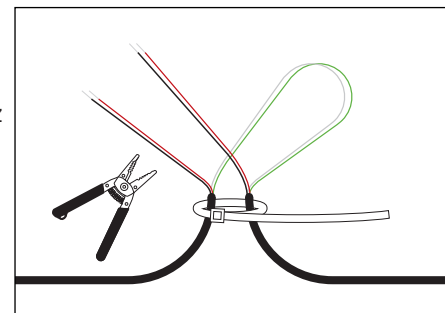
2. Recommandé : Utilisez un serre-câble (non compris) pour garder la boucle de câble intacte et en tant réducteur de tension.



3. Utilisez une pince à dénuder ronde pour enlever la gaine de câble protectrice extérieure pour exposer les quatre câbles à code de couleur. Séparez les boucles de câble comme illustré.



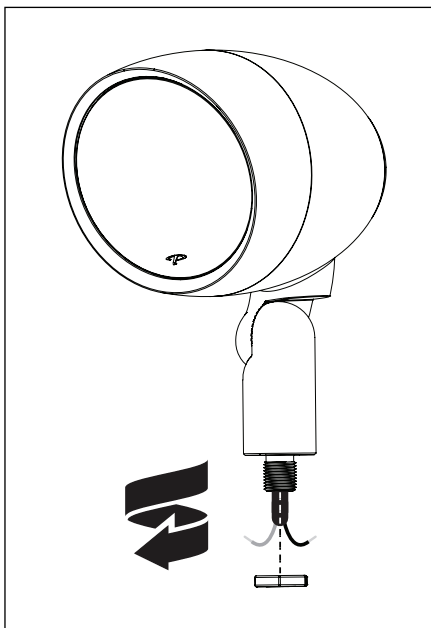
4. Coupez les câbles rouge (+) et noir (-) avec la pince à dénuder et enlevez un pouce (25,4 mm) d'isolation des extrémités afin d'exposer le conducteur en cuivre.



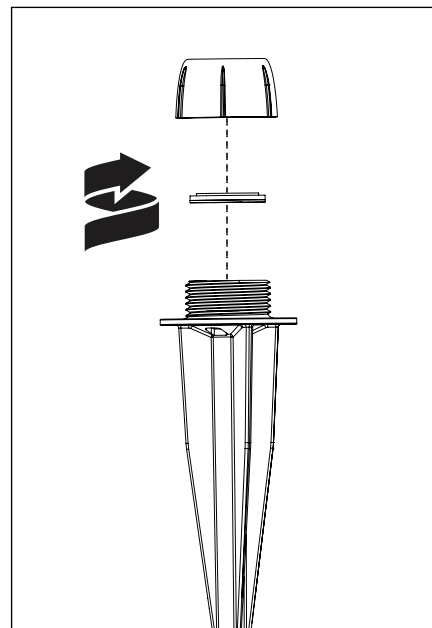
INSTALLATION DES CÂBLES ET DES ENCEINTES (SUITE)

Installation d'accessoire de piquet de terre et fixation des enceintes

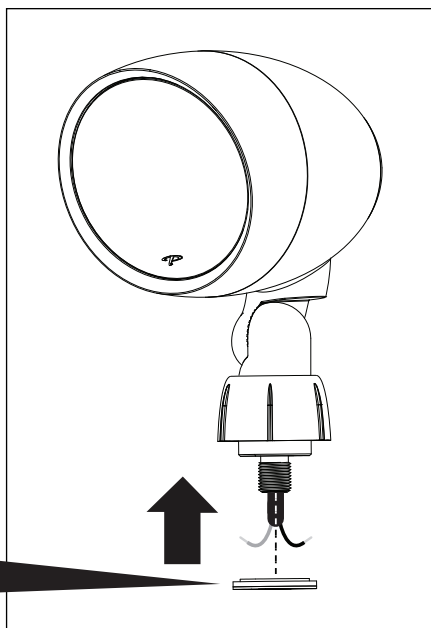
1. Enlevez l'écrou de l'extrémité fileté du bras d'enceinte.



2. Enlevez le capuchon dévissable et la rondelle d'étanchéité en aluminium du piquet de terre.



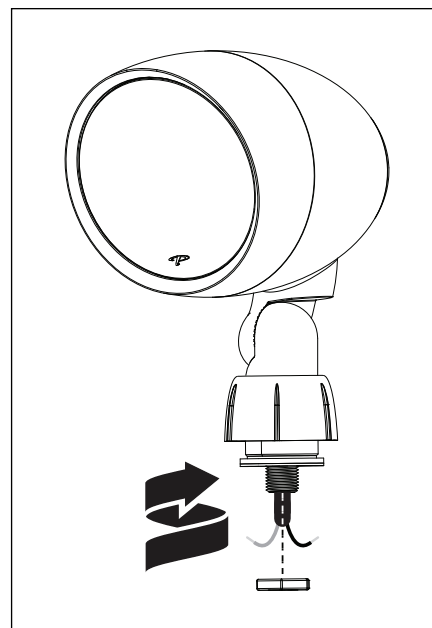
3. Glissez la rondelle d'étanchéité en aluminium (du piquet de terre) sur l'extrémité fileté du bras de l'enceinte.



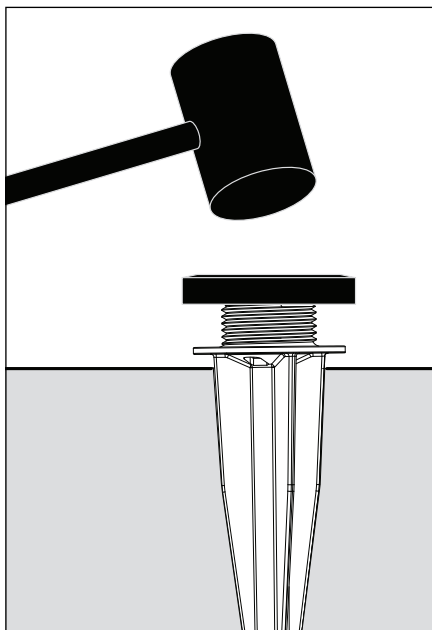
IMPORTANT!

La face de la rondelle en aluminium avec le petit joint en caoutchouc doit être orientée vers le haut.

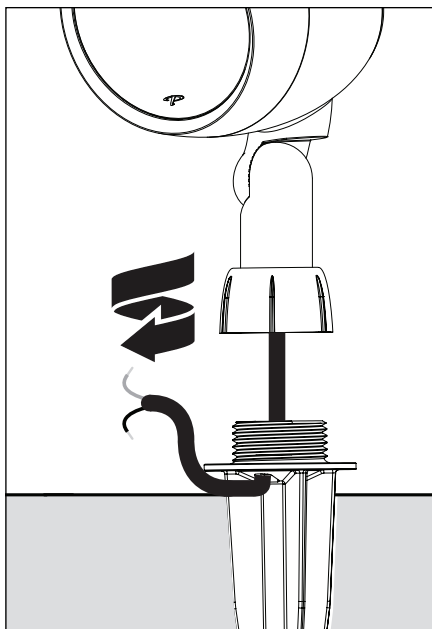
4. À l'aide d'une clé, filetez et serrez fermement l'écrou (enlevez à l'étape 1) sur l'extrémité fileté du bras de l'enceinte.



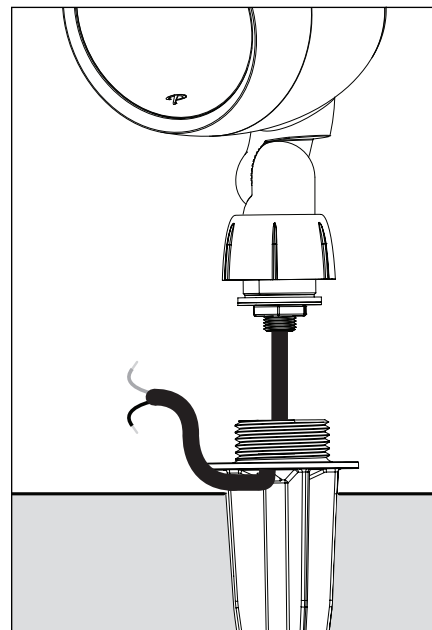
5. À l'aide d'un maillet et d'un bloc de bois, enfoncez le piquet de terre dans le sol. Enfoncez le piquet de terre aussi loin que possible, jusqu'à ce que la bride du piquet soit pratiquement égale à la surface.
- Remarque :** Laissez un espace entre la bride du piquet de terre et la surface du sol afin de pouvoir fileter le câble d'enceinte par le trou de câblage dans le piquet de terre.



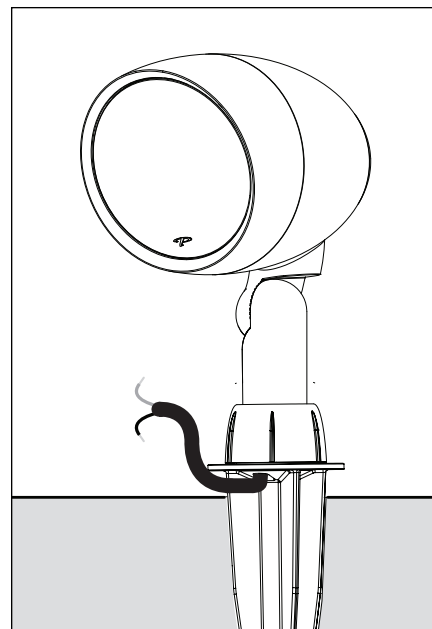
7. Pour fixer l'enceinte dans le piquet de terre, filetez à la main le capuchon dévissable sur le piquet de terre.



6. Filetez le câble d'enceinte dans le trou de câblage du piquet de terre.



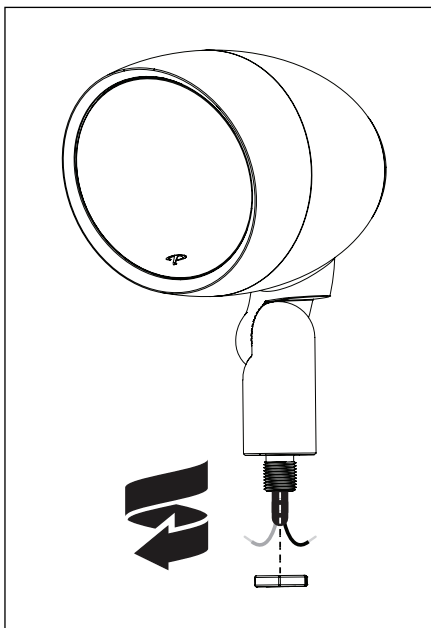
8. L'enceinte est maintenant montée sur le piquet de terre. La prochaine étape est le câblage; allez à la section « Câblage » pour obtenir des instructions.



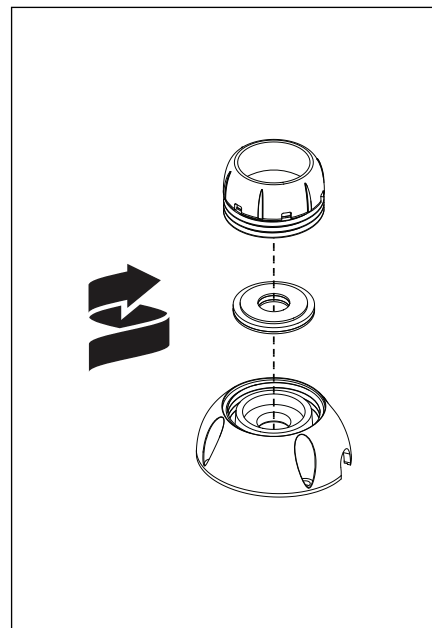
WIRING & SPEAKER INSTALLATION (CONT'D)

Installation d'accessoire de montage en surface et fixation des enceintes

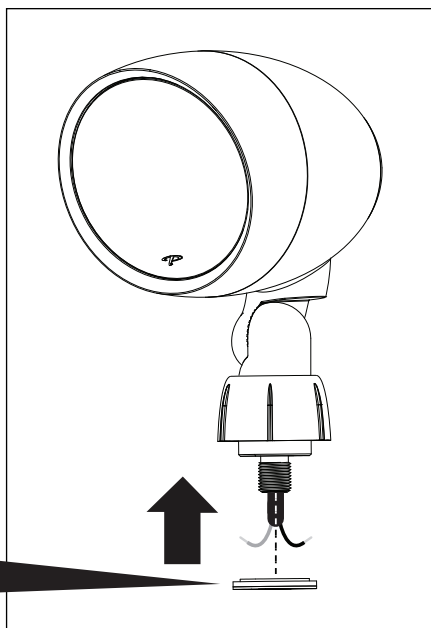
1. Enlevez l'écrou de l'extrémité fileté du bras d'enceinte.



2. Enlevez le capuchon dévissable et la rondelle d'étanchéité en aluminium du piquet de terre.



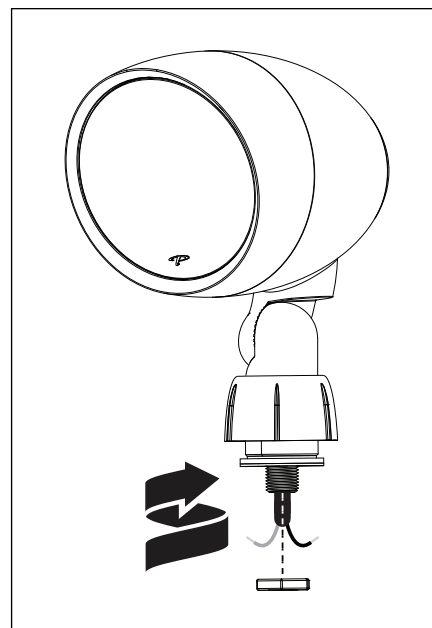
3. Glissez le capuchon dévissable sur le bras de l'enceinte, puis glissez la rondelle d'étanchéité en aluminium (du piquet de terre) sur l'extrémité fileté du bras de l'enceinte.



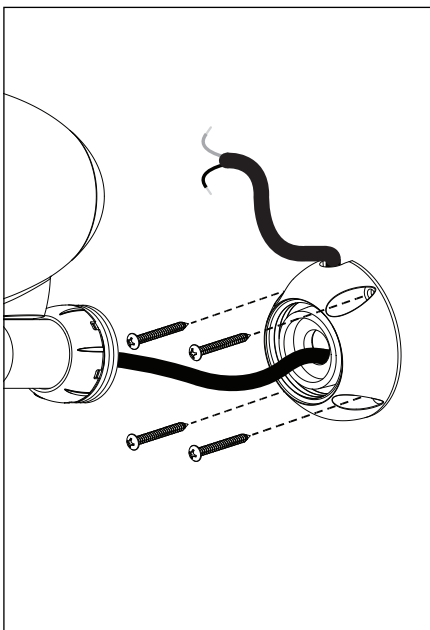
IMPORTANT!

La face de la rondelle en aluminium avec le petit joint en caoutchouc doit être orientée vers le haut.

4. À l'aide d'une clé, filetez et serrez fermement l'écrou (enlevez à l'étape 1) sur l'extrémité fileté du bras de l'enceinte.

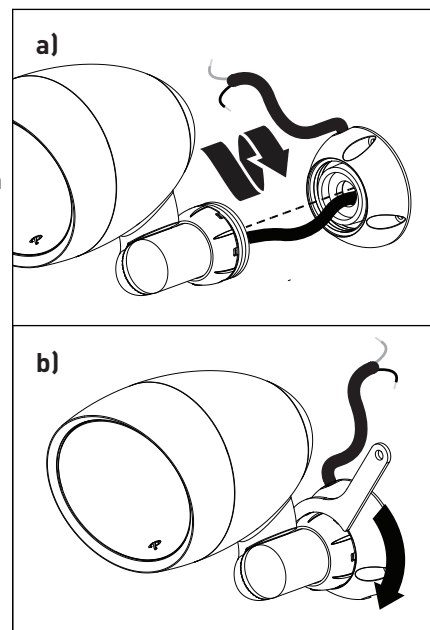


5. Filetez le câble d'enceinte dans le trou du centre et sortez-le par l'ouverture de câble sur la base du montage de surface. Placez la base du montage de surface à égalité sur la surface sur laquelle vous souhaitez installer l'enceinte. Pour fixer la base du montage de surface à la surface, utilisez les vis appropriées (non comprises) pour votre installation. Pour obtenir des spécifications sur les vis, consultez votre revendeur.



Remarque : Pour une installation avec montage au mur où une connexion par câble est comprise dans la base du montage de surface, veuillez suivre ces instructions. Il est recommandé que le câble d'enceinte soit coupé court, et la gaine du câble doit être enlevée pour exposer les câbles rouge (+) et noir (-). Suivez les tapes 6 a-b, mais ne fixez pas l'enceinte montée sur la base du montage de surface avant d'avoir fait les connexions de câble avec les capuchons de câble qui couvrent les connexions de câble exposées. Les connexions de câble avec les capuchons de câble doivent être insérées dans la base du montage de surface avant la fixation sur la surface désirée avec les vis appropriées (non comprises) pour votre installation. Pour obtenir des spécifications sur les vis, consultez votre revendeur.

6. Pour fixer l'enceinte à la base du montage de surface : **a)** Premièrement, filetez le bouchon dévissable à la main sur la base du montage de surface. **b)** Maintenant, serrez fermement le capuchon dévissable avec la clé fournie.

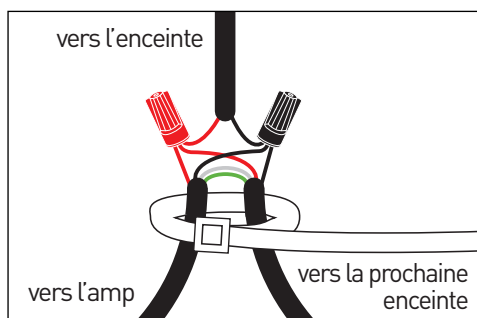


Pour les instructions concernant le câblage, consultez la section « Raccordement entre l'enceinte et le câble souterrain » à la page 11.

INSTALLATION DES CÂBLES ET DES ENCEINTES (SUITE)

Raccordement entre l'enceinte et le câble souterrain

Combinez et tournez (sens horaire) les câbles rouges (comme illustré dans le diagramme) de l'amplificateur, de l'enceinte et vers la prochaine enceinte. Sécurisez ces trois câbles à l'aide des capuchons de câble

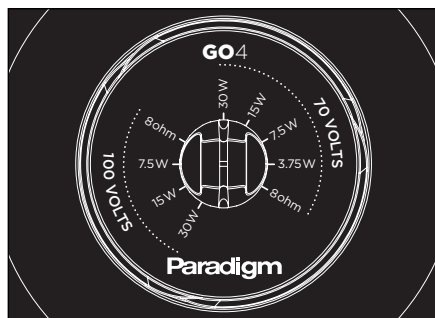


remplis de silicone; répétez la procédure pour les câbles noirs.

REMARQUE : vous pourriez devoir couper une certaine partie du câble d'enceinte qui dépasse de l'enceinte pour obtenir une longueur plus facile à gérer.

Orientation et paramètres des enceintes

1. Orientez l'enceinte en desserrant la vis dans le bras de l'enceinte et en la resserrant une fois l'orientation souhaitée obtenue.
2. Une fois que votre système est configuré, réglez le cadran sur chaque enceinte satellite afin qu'il corresponde au nombre d'enceintes satellites et de caissons de sous-graves de l'installation (voir « Tableau des pré-réglages » à la page 15 »).



BOÎTE DE RACCORDEMENT SOUTERRAINE FACULTATIVE

En suivant, les mêmes instructions que celles décrites pour le piquet de terre ou pour le montage en surface, la boîte de raccordement souterraine Garden Oasis peut être substituée. Défoncez les trous dans la boîte de raccordement souterraine, au besoin. Le conduit est vendu séparément.

Comprend :

- (1) Boîte de raccordement souterraine
- (1) Poteau de montage en deux pièces
- (8) Vis en acier inoxydable
- (4) Piquets de terre

Outils recommandés :

- Perceuse
- Colle à PVC – pour les conduits ou les raccords en PVC
- Mastic au silicone
- Pelle
- Marteau
- Tournevis Phillips no 2
- Clé à molette

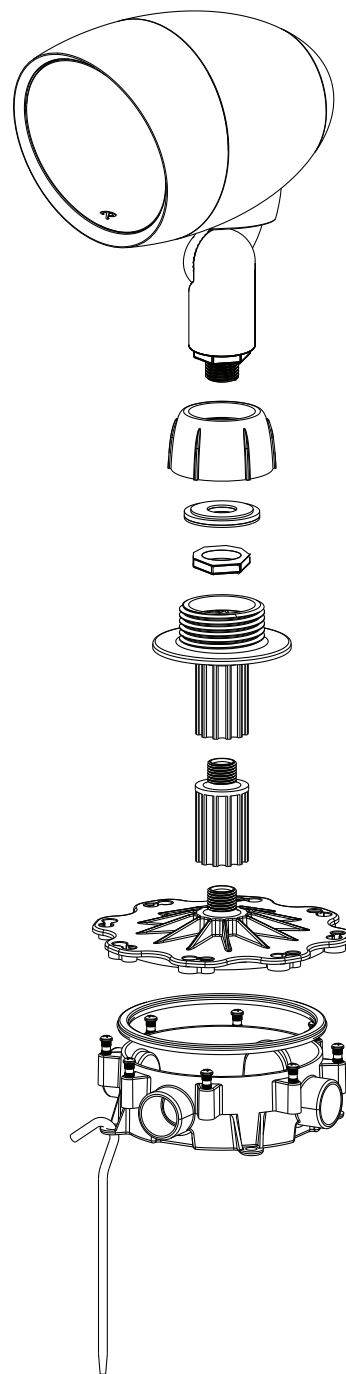
Instructions d'installation



***IMPORTANT!** Testez votre système avant de coller ou de calfeutrer la boîte de raccordement souterraine ou tout raccord de conduit de tuyauterie. Utilisez du mastic de silicone pour sceller toutes les ouvertures utilisées pour les câbles. Laissez sécher le mastic et la colle entièrement avant d'enterrer la boîte de raccordement souterraine.

OPTION 1 : Installation avec conduit en PVC – Défoncez les ouvertures du conduit à utiliser. Collez le tuyau du conduit sur la boîte de raccordement souterraine. Passez le câble dans le conduit et tirez au moins 8 pouces de câble dans la cavité de la boîte.

Remarque : Les ouvertures de boîte de raccordement souterraine ont un diamètre de 3/4 po. D'autres tailles de tuyauterie de conduite peuvent être utilisées avec des adaptateurs.



BOÎTE DE RACCORDEMENT SOUTERRAINE FACULTATIVE (SUITE)

OPTION 2 : Installation avec câbles souterrains – Percez un trou dans le centre de la pièce à défoncer, un petit peu plus grand que le câble. Passez le câble et tirez au moins 8 pouces de câble dans la cavité de la boîte. Scellez entièrement l'entrée avec du silicone.

Placez les boîtes souterraines dans leur emplacement approprié dans la tranchée, en vous assurant d'une profondeur minimale de 6 pouces.

3. Installez l'enceinte satellite sur le couvercle de la boîte de conduit souterraine, à l'aide du poteau en deux pièces. Utilisez du silicone dans les filetages pour accroître le scellage de la boîte de conduit souterraine contre l'humidité.
4. Utilisez les écrous de câble à l'épreuve de l'eau compris avec l'enceinte pour terminer les raccords de câble. Tournez l'écrou de câble à la main dans le sens horaire, jusqu'à ce qu'ils soient serrés.

5. La boîte peut maintenant être fermée. Un joint à l'épreuve de l'eau est fixé sur le couvercle, mais pour obtenir une protection accrue contre l'infiltration d'eau, appliquez du silicone sur le rebord intérieur du couvercle où il entre en contact avec la boîte, puis assemblez la boîte à l'aide des 8 vis. Serrez les vis fermement à la main, puis avec un tournevis no 2.
6. Ancrez la boîte de raccordement souterraine dans le trou à l'aide des 4 piquets fournis. Installez toutes les enceintes et testez le système avant d'enterrer les boîtes et les câbles.
7. À l'aide d'un tournevis, ajustez l'angle et la position de l'enceinte.

**Voir l'avis « Important! » à la page précédente.*

TESTER LE SYSTÈME

Une fois que tous les raccordements des enceintes satellites et des caissons de sous-graves sont terminés, raccordez les câbles à votre récepteur ou amplificateur.

IMPORTANT : Assurez-vous de ne pas laisser aucun brin de câble + et - se toucher. Les brins de câble qui se touchent causeront un court-circuit qui peut endommager votre amplificateur.

Allumez votre récepteur/amplificateur et testez le système avec votre musique favorite. Si les enceintes fonctionnent adéquatement, remplissez la tranchée et profitez de vos nouvelles enceintes.

POUR ÉVITER LES DOMMAGES AUX ENCEINTES

Ne vous laissez pas avoir par la commande de volume de votre amplificateur. Elle ajuste le niveau d'écoute – elle n'indique pas la puissance de sortie. Si vos enceintes commencent à produire un son dur ou râpeux, ou si les graves se brisent, baissez immédiatement le volume afin de ne pas endommager les enceintes! Ce type de dommage constitue une utilisation abusive et n'est pas couvert par la garantie.

Les commandes de ton et les égalisateurs peuvent demander encore plus de puissance d'un amplificateur, ce qui abaisse le point auquel il produit une distorsion d'écrêtage. Utilisez-les avec parcimonie, si vous les utilisez, et ne les utilisez pas lors d'une écoute à des niveaux élevés.

ÉCOUTE À L'EXTÉRIEUR

À l'extérieur, il n'y a pas de murs pour contenir le son. Les bruits de fond sont plus forts et habituellement, les auditeurs sont plus loin des enceintes. Il peut être plus difficile d'obtenir un niveau d'écoute raisonnable. Les gens ont tendance à monter le volume; toutefois, cela peut déranger les voisins, et lorsque le volume est trop haut, cela peut endommager les enceintes ou l'amplificateur.

La solution? Dans les zones plus grandes, nous recommandons d'utiliser plusieurs enceintes Paradigm

Garden Oasis. L'utilisation de plusieurs enceintes permet de s'assurer que le son est distribué uniformément, ce qui permet des niveaux d'écoute raisonnables à des volumes plus bas. La demande sur l'amplificateur est diminuée et les voisins ne sont pas dérangés. Voyez les choses de la façon suivante : lorsque vous éclairez une grande zone extérieure, l'utilisation de projecteurs avec un gradateur à un réglage bas est beaucoup plus efficace que l'utilisation d'un seul projecteur avec un gradateur à un réglage trop élevé.

COUVERCLE D'ENCEINTE HORS SAISON

Pendant la basse saison, lorsque les enceintes ne sont pas utilisées pendant une période prolongée, vous pouvez couvrir les enceintes à l'aide du couvercle fourni. Ce couvercle respire, tout en protégeant votre enceinte des intempéries.

TABLEAU DES PARAMÈTRES AUDIO

INSTALLATION AVEC DES CÂBLES LONGS (100 pi ou plus)							
	CANAL NO 1 SUR AMP	CANAL NO 2 SUR AMP	PRÉRÉGLAGES SUR AMP CROWN	NOM PRÉRÉGLÉ	PUISSANCE DE SORTIE	RÉGLER CADRAN SUR ENCEINTE SATELLITE	
	<i>Raccordez le produit au Canal no 1 sur l'amplificateur en couronne</i>	<i>Raccordez le produit au Canal no 2 sur l'amplificateur en couronne</i>	<i>Choisissez le numéro préréglé sur l'amplificateur Crown indiqué ci-dessous</i>		<i>Niveau de signal fourni au caisson de sous-graves/enceintes</i>	<i>Enlevez le couvert de la partie arrière de l'enceinte satellite et placez le cadran au numéro indiqué ci-dessous.</i>	
GO10SW ou GO12SW plus enceintes satellites GO4 ou GO6	GO10SW	GO4	Préréglé 2 pour GO10SW et GO4	GO4_10SW	8 ohm / 70V hybride	Enceintes : 1-12	30W (ou moins)
	GO10SW	GO6	Préréglé 3 pour GO10SW et GO6	GO6_10SW	8 ohm / 70V hybride	Enceintes : 13-24	15W (ou moins)
	GO12SW	GO4	Préréglé 4 pour GO12SW et GO4	GO4_12SW	8 ohm / 70V hybride	Enceintes : 25-50	7.5W (ou moins)
	GO12SW	GO6	Préréglé 5 pour GO12SW et GO6	GO6_12SW	8 ohm / 70V hybride	Enceintes : 50-100	3.8W (ou moins)
AUCUN caisson de sous-graves et enceintes satellites GO4 ou GO6	GO4	GO4	Préréglé 10 pour GO4 en Mono	GO_4_MO	na / 70V	Enceintes : 1-12	30W (ou moins)
	GO6	GO6	Préréglé 11 pour GO6 en Mono	GO_6_MO	na / 70V	Enceintes : 13-24	15W (ou moins)
	GO4	GO4	Préréglé 12 pour GO4 en stéréo	GO_4_ST	na / 70V	Enceintes : 25-50	7.5W (ou moins)
	GO6	GO6	Préréglé 13 pour GO6 in stéréo	GO_6_ST	na / 70V	Enceintes : 50-100	3.8W (ou moins)

INSTALLATION AVEC LES CÂBLES COURTS (moins de 100 pieds) POUR 4 ENCEINTES OU MOINS							
	CANAL NO 1 SUR AMP	CANAL NO 2 SUR AMP	PRÉRÉGLAGES SUR AMP CROWN	NOM PRÉRÉGLÉ	PUISSANCE DE SORTIE	RÉGLER CADRAN SUR ENCEINTE SATELLITE	
	<i>Raccordez le produit au Canal no 1 sur l'amplificateur en couronne</i>	<i>Raccordez le produit au Canal no 2 sur l'amplificateur en couronne</i>	<i>Choisissez le numéro préréglé sur l'amplificateur Crown indiqué ci-dessous</i>		<i>Niveau de signal fourni au caisson de sous-graves/enceintes</i>	<i>Enlevez le couvert de la partie arrière de l'enceinte satellite et placez le cadran au numéro indiqué ci-dessous.</i>	
GO10SW ou GO12SW plus 4 enceintes satellites GO4 ou GO6 ou moins	GO10SW	GO4	Préréglé 6 pour GO10SW et GO 4	8GO410SW	8 ohm / 8ohm	8ohms	
	GO10SW	GO6	Préréglé 7 pour GO10SW et GO 6	8GO610SW	8 ohm / 8ohm		
	GO12SW	GO4	Préréglé 8 pour GO12SW et GO4	8GO412SW	8 ohm / 8ohm		
	GO12SW	GO6	Préréglé 9 pour GO12SW et GO 6	8GO612SW	8 ohm / 8ohm		
Aucun caisson de sous-graves plus 4 enceintes satellites GO4 ou GO6 ou moins	GO4	GO4	Préréglé 14 pour GO4 en mono	8GO_4_MO	nd / 8ohm	8ohms	
	GO6	GO6	Préréglé 15 pour GO6 en mono	8GO_6_MO	nd / 8ohm		
	GO4	GO4	Préréglé 16 pour GO4 en stéréo	8GO_4_ST	nd / 8ohm		
	GO6	GO6	Préréglé 17 pour GO6 en stéréo	8GO_6_ST	nd / 8ohm		

GARANTIE LIMITÉE

Les enceintes Paradigm^{MD} Garden Oasis sont garanties contre les défauts de matériaux et de fabrication pendant une période de **trois (3) ans** à compter de la date d'achat d'origine. Durant cette période, la réparation, le remplacement ou le réglage de pièces pour des défauts de matériaux ou de fabrication ne seront pas à la charge du premier acheteur. Les dommages causés par l'exposition abusive à la chaleur ou l'usage abusif ne sont pas couverts par la présente garantie.

Restrictions :

- La garantie entre en vigueur à la date d'achat d'origine chez un revendeur autorisé Paradigm^{MD} seulement. La garantie n'est pas transférable.
- La garantie s'applique au produit pour une utilisation résidentielle normale uniquement. Si le produit est assujéti à l'une des conditions définies dans le paragraphe suivant, la garantie est annulée.
- La garantie ne s'applique pas à un usage commercial ou professionnel.
- La garantie exclut la détérioration cosmétique normale causée par les conditions environnementales.

La garantie est annulée si :

- Le produit est assujéti à un usage abusif (accidentel ou intentionnel);
- Le produit est utilisé avec du matériel défectueux ou non adéquat;
- Le produit est soumis à des signaux électriques dommageables, un transport dangereux, des dommages mécaniques ou toute autre condition anormale;
- Le produit (y compris le boîtier) est altéré ou endommagé lors d'une réparation non autorisée;
- La plaque du numéro de série de l'enceinte est enlevée ou défigurée.

Responsabilités du propriétaire :

- Apporter un soin et un entretien normaux et raisonnables;
- Fournir ou assumer les frais de transport jusqu'à l'atelier de réparation;
- Fournir une preuve d'achat (conserver le reçu fourni lors de l'achat par le revendeur autorisé Paradigm^{MD} comme preuve de la date d'acquisition).

Si une réparation est nécessaire, contactez le revendeur autorisé Paradigm^{MD}, Paradigm Electronics Inc. ou le distributeur à l'étranger (à l'extérieur du Canada et des États-Unis) pour planifier l'envoi prépayé de l'appareil défectueux. Consultez le site Web www.paradigm.com pour plus d'information.

Paradigm Electronics Inc. se réserve le droit d'améliorer la conception de tout produit sans obligations de modifier tout produit déjà fabriqué.

La présente garantie tient en lieu et place de toute autre garantie, explicite ou implicite, de qualité marchande et d'adéquation pour tout usage particulier, et ne peut être élargie ou étendue par quiconque. Paradigm Electronics Inc. et ses représentants ou agents ne peuvent pas être tenus responsables de dommages indirects ou consécutifs découlant de l'utilisation de ces produits en aucun cas. Dans les endroits où une réglementation spécifique interdit une telle limitation de la responsabilité, cette exclusion ne s'applique pas.

Conserver le présent manuel et le reçu comme preuve d'achat et de garantie.

NOTES