

CEILING-MOUNTED HOOD
INSTALLATION GUIDE

SPECIFICATIONS, INSTALLATION, AND MORE



Contents

- 3 Ceiling-Mounted Hood
- 4 Site Preparation
- 6 Specifications
- 8 Hood Installation: Internal Blower
- 11 Hood Installation: In-Line/Remote Blower
- 14 Troubleshooting

Features and specifications are subject to change at any time without notice. Visit wolfappliance.com/specs for the most up-to-date information.

Important Note

To ensure this product is installed and operated as safely and efficiently as possible, take note of the following types of highlighted information throughout this guide:

IMPORTANT NOTE highlights information that is especially important.

CAUTION indicates a situation where minor injury or product damage may occur if instructions are not followed.

WARNING states a hazard that may cause serious injury or death if precautions are not followed.

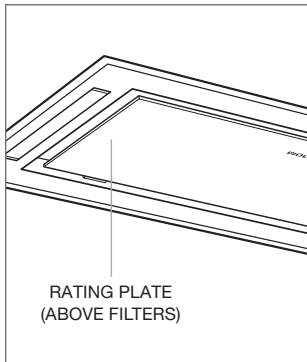
IMPORTANT NOTE: Throughout this guide, dimensions in parentheses are millimeters unless otherwise specified.

IMPORTANT NOTE: Save these instructions for the local electrical inspector.

Product Information

Important product information, including the model and serial number, are listed on the product rating plate. The rating plate is located under the left side of the hood, above the filters (filters must be removed). Refer to the illustration below.

If service is necessary, contact Wolf Factory Certified Service with the model and serial number. For the name of the nearest Wolf Factory Certified Service or for questions regarding the installation, visit the contact and support section of our website, wolfappliance.com, or call Wolf Customer Care at 800-222-7820.



Rating plate location

IMPORTANT INSTRUCTIONS

⚠ WARNING

TO REDUCE THE RISK OF FIRE, ELECTRIC SHOCK, OR INJURY TO PERSONS, OBSERVE THE FOLLOWING:

- a) Installation work and electrical wiring must be done by qualified person(s) in accordance with all applicable codes and standards, including fire-rated construction.
- b) Sufficient air is needed for proper combustion and exhausting of gases through the flue (chimney) of fuel burning equipment to prevent back drafting. Follow the heating equipment manufacturer's guideline and safety standards such as those published by the National Fire Protection Association (NFPA), and the American Society for Heating, Refrigeration and Air Conditioning Engineers (ASHRAE), and the local code authorities.
- c) When cutting or drilling into the wall or ceiling, do not damage electrical wiring and other hidden utilities.
- d) Ducted fans must always be vented to the outdoors.

Ducting

⚠ WARNING

Use only metal ducting.

IMPORTANT NOTE: Consult a qualified HVAC professional for specific installation and ducting applications.

The hood accommodates a 6" (152) round duct. Use only rigid metal ducting.

A straight, short duct run is most effective and will ensure proper performance. If the duct run exceeds 50' (15 m), a higher CFM blower may be required to maintain proper airflow. A remote blower installed on a short duct run may increase the potential for noise.

Internal and in-line blowers require a roof or wall cap. Use sheet metal screws and aluminum tape or high temperature duct tape to seal joints between ducting sections.

The hood includes a backdraft damper. Local codes may require the use of an additional backdraft and/or make-up air damper. Contact your local HVAC professional for specific requirements.

A make-up air damper is available through an authorized Wolf dealer. For local dealer information, visit the find a showroom section of our website, wolfappliance.com.

⚠ CAUTION

To reduce the risk of fire and to properly exhaust air, duct air outside. Do not vent exhaust air into spaces within walls, ceilings, attics, crawl spaces, or garages.

⚠ CAUTION

To reduce the risk of fire and electrical shock, only install this range hood with remote blower models rated a maximum of 3A suitable for use with solid state speed control or internal blowers manufactured by Wolf, "Blower—600 CFM".

SITE PREPARATION

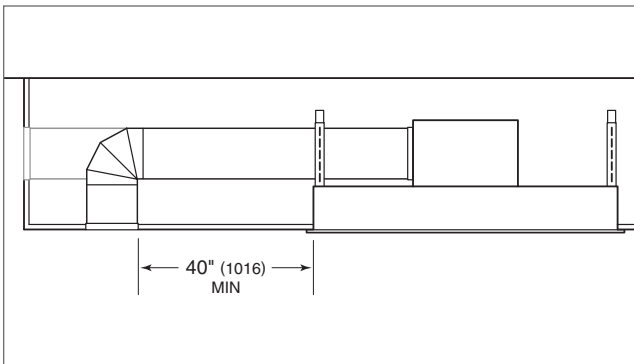
Ducting

RECIRCULATING APPLICATION

The hood with an internal blower, can be installed in a recirculating application. The air discharge must be a minimum of 40" (1016) from every side of the hood. Refer to the illustration below.

Ductwork and vent cover are not provided.

A recirculation kit, available through an authorized Wolf dealer, is required.



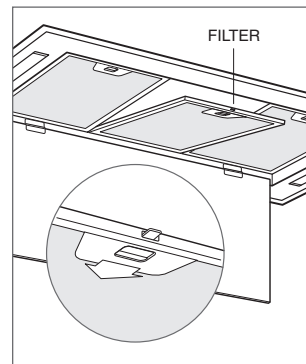
Recirculating application

Filter Removal

To access the grease filters, pull down the front edge of the bottom panel of the hood and allow it to rotate downward.

To remove the filters, refer to the illustration below.

IMPORTANT NOTE: Do not operate the ventilation hood without the grease filters.



Filter removal

SPECIFICATIONS

Installation Requirements

Install the hood 36" (914) to 84" (2134) from the bottom of the hood to the countertop.

The hood requires a 600 CFM internal or in-line blower assembly, or a 600 CFM or 1200 CFM remote blower assembly, available through an authorized Wolf dealer.

Consult a qualified HVAC professional for specific installation and ducting applications.

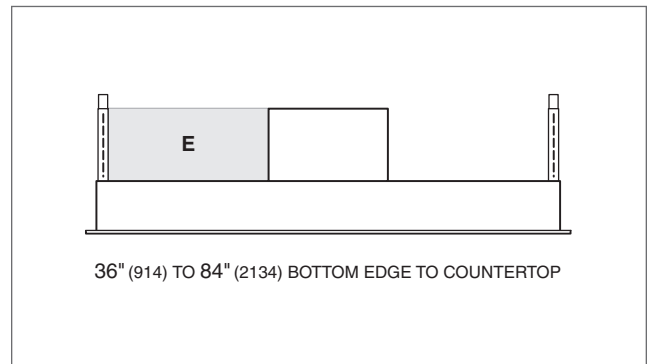
Electrical Requirements

Installation must comply with all applicable electrical codes.

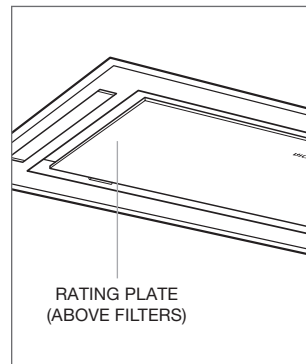
Locate the electrical supply within the shaded area shown in the illustration below. Allow a minimum 12" (305) wire (Romex) for connection. A separate circuit servicing only this appliance is required.

ELECTRICAL REQUIREMENTS

Electrical Supply	grounded, 120 VAC, 60 Hz
Service	15 amp dedicated circuit



Electrical location



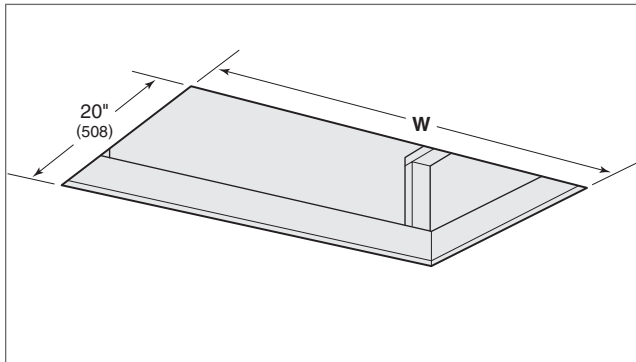
Rating plate location

SPECIFICATIONS

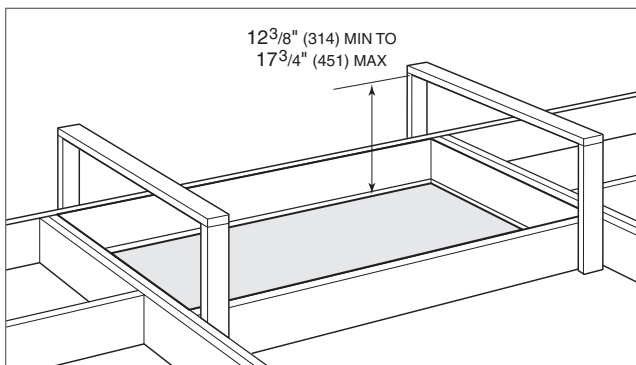
Ceiling Preparation

Refer to the chart and illustrations below for opening dimensions and typical framing. Construct the framing using minimum 2" x 4" lumber. Framing must be able to support a minimum of 100 lb (45 kg).

HOOD	W
36" Hood	34 ¹ / ₂ " (873)
48" Hood	46 ¹ / ₄ " (1175)



Opening dimensions

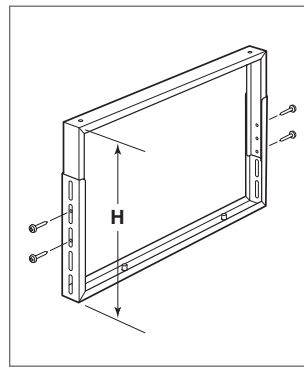


Support framing (typical)

Mounting Brackets

To determine the height of the adjustable mounting brackets, subtract 5" (127) from the support framing height (e.g. support framing height - 5" = H).

Use the ³/₈" (10) length screws provided to secure the brackets. Refer to the illustration below.



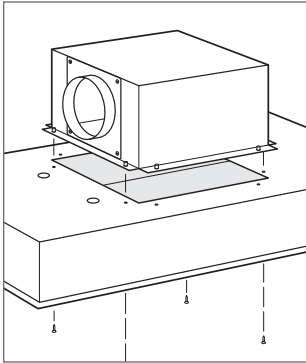
Bracket adjustment

INSTALLATION

Hood Installation—Internal Blower

BLOWER BOX REMOVAL

Remove the blower box from the hood by removing the four screws. Refer to the illustration below.

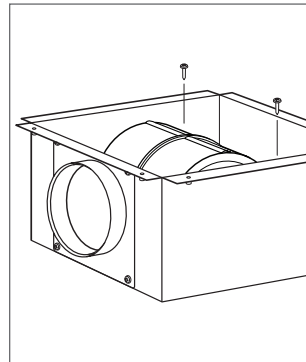


Blower box removal

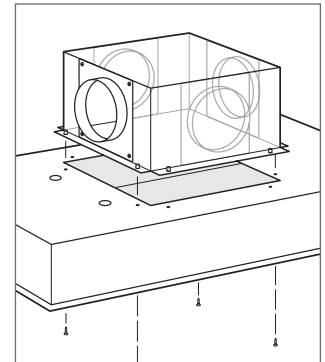
BLOWER INSTALLATION

IMPORTANT NOTE: The blower must be installed and plugged in prior to making the electrical connection to the hood.

- 1 Insert the round discharge on the blower into the round discharge on the blower box.
- 2 Secure the blower to the blower box with the two screws provided with the blower. Refer to the illustration below.
- 3 Rotate the blower box so the 6" (152) round discharge is properly located. Refer to the illustration below.
- 4 Secure the blower box to the hood with the existing screws.



Internal blower installation



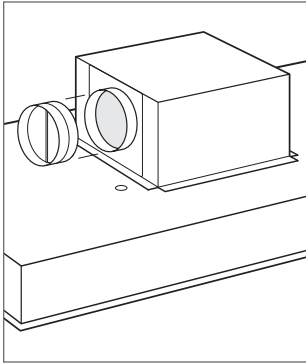
Discharge direction

INSTALLATION

Hood Installation—Internal Blower

DAMPER INSTALLATION

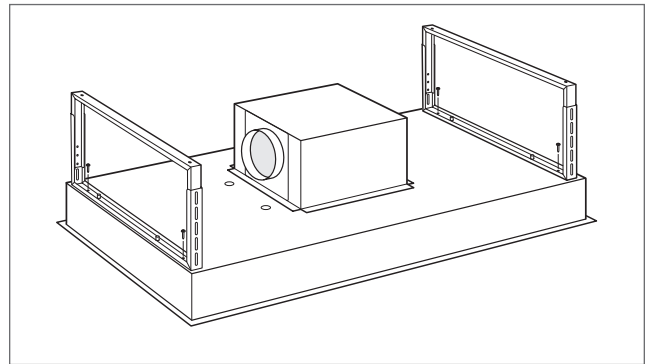
Place the round damper on the round discharge and secure with duct sealing tape. Refer to the illustration below.



Damper installation

BRACKET INSTALLATION

Secure the two mounting brackets to the hood using the four $\frac{9}{16}$ " (14) length screws provided. Refer to the illustration below.



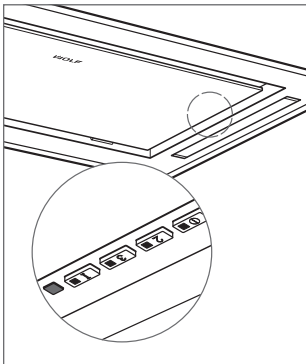
Bracket installation

Hood Installation—Internal Blower

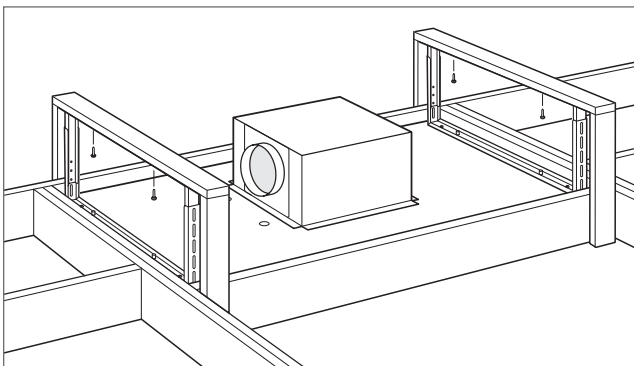
HOOD INSTALLATION

IMPORTANT NOTE: Mounting hardware is not provided.

- 1 Verify the control panel on the hood is located on the right. Refer to the illustration below.
- 2 Insert the hood into the opening.
- 3 Secure the hood to the ceiling support framing. Refer to the illustration below.
- 4 Connect the ductwork to the damper, then secure with duct sealing tape.



Control panel location



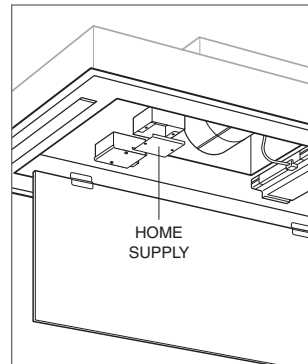
Hood installation

WIRING CONNECTIONS

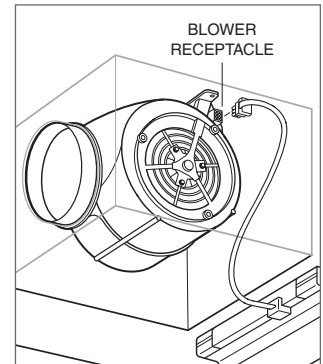
⚠ WARNING

Before making electrical connections, make sure the electrical power is turned off at the service panel.

- 1 Remove the knockout above the home supply junction box, then insert the home electrical supply (Romex) into the electrical box. Refer to the illustration below.
- 2 Secure the electrical supply to the electrical box with a UL or C/UL approved connector (not provided).
- 3 Connect the green or bare ground wire to the green grounding screw. Use appropriate wire connectors (not provided) to connect white to white and black to black.
- 4 Place all wiring connections inside the electrical box and install the cover. Verify all wires are secure and not pinched between the cover and electrical box.
- 5 Insert the plug from the control board housing into the receptacle on the blower. Refer to the illustration below.



Wiring connections



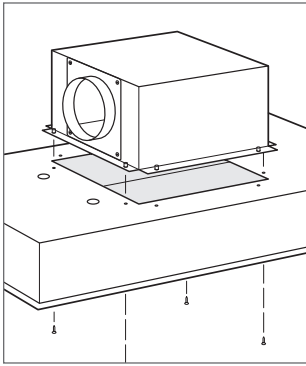
Blower connection

INSTALLATION

Hood Installation—In-Line/Remote Blower

BLOWER BOX REMOVAL

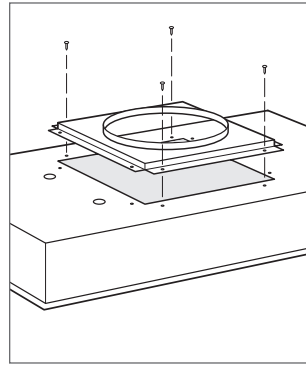
- 1 Remove the blower box from the hood by removing the four screws. Refer to the illustration below.
- 2 Discard the blower box and screws.



Blower box removal

FLANGE INSTALLATION

- 1 Place the flange on the top of the hood.
- 2 Secure the flange to the hood with the $\frac{1}{4}$ " (6) length screws provided. Refer to the illustration below.



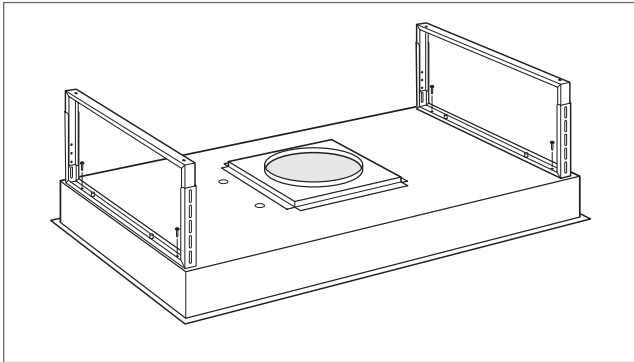
Flange installation

INSTALLATION

Hood Installation—In-Line/Remote Blower

BRACKET INSTALLATION

Secure the two mounting brackets to the hood using the four $\frac{9}{16}$ " (14) length screws provided. Refer to the illustration below.

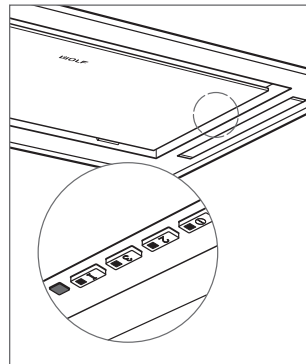


Bracket installation

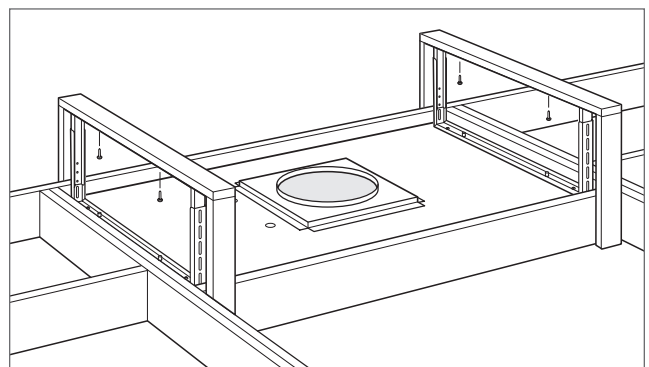
HOOD INSTALLATION

IMPORTANT NOTE: Mounting hardware is not provided.

- 1 Verify the control panel on the hood is located on the right. Refer to the illustration below.
- 2 Insert the hood into the opening.
- 3 Secure the hood to the ceiling support framing. Refer to the illustration below.
- 4 Connect the ductwork to the damper, then secure with duct sealing tape.



Control panel location



Hood installation

Hood Installation—In-Line/Remote Blower

WIRING CONNECTIONS

⚠ WARNING

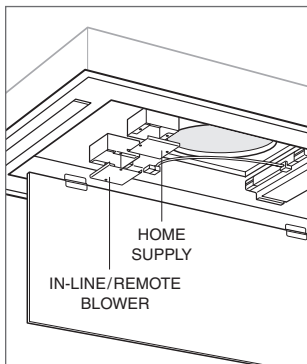
Before making electrical connections, make sure the electrical power is turned off at the service panel.

Home Supply:

- 1 Remove the knockout above the home supply junction box, then insert the home electrical supply (Romex) into the electrical box. Refer to the illustration below.
- 2 Secure the electrical supply to the electrical box with a UL or C/UL approved connector (not provided).
- 3 Connect the green or bare ground wire to the green grounding screw. Use appropriate wire connectors (not provided) to connect white to white and black to black.
- 4 Place all wiring connections inside the electrical box and install the cover. Verify all wires are secure and not pinched between the cover and electrical box.

In-Line/Remote Supply:

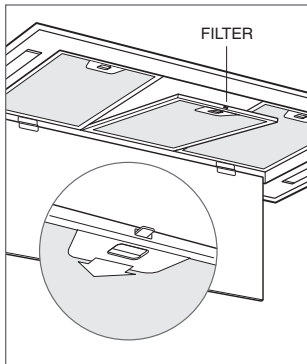
- 1 Remove the knockout above the in-line/remote blower junction box, then insert the blower electrical supply (Romex) into the electrical box.
- 2 Secure the electrical supply to the electrical box with a UL or C/UL approved connector (not provided).
- 3 Connect the green or bare ground wire to the green grounding screw. Use appropriate wire connectors (not provided) to connect white to blue and black to brown.
- 4 Place all wiring connections inside the electrical box and install the cover. Verify all wires are secure and not pinched between the cover and electrical box.
- 5 Insert the plug from the control board housing into the receptacle on the side of the junction box.



Wiring connections

Completion

- 1 Install the grease filters. Refer to the illustration below.
- 2 Rotate the bottom cover upward and into position.
- 3 Turn on the electrical supply at the circuit panel and verify operation.



Filter installation

Troubleshooting

IMPORTANT NOTE: If the hood does not operate properly, follow these troubleshooting steps:

- 1 Verify electrical power is supplied to the hood.
- 2 Verify proper wiring connections.
- 3 If the hood does not operate properly, contact Wolf Factory Certified Service. Do not attempt to repair the hood. Wolf is not responsible for service required to correct a faulty installation.

Sub-Zero, Sub-Zero & Design, Sub-Zero & Snowflake Design, Dual Refrigeration, The Living Kitchen, Great American Kitchens The Fine Art of Kitchen Design, Wolf, Wolf & Design, Wolf Gourmet, W & Design, red colored knobs, Cove, and Cove & Design are registered trademarks and service marks of Sub-Zero Group, Inc. and its subsidiaries. All other trademarks are property of their respective owners in the United States and other countries.

Contenido

- 3 Campana instalada en el techo
- 4 Preparación del sitio
- 6 Especificaciones
- 8 Instalación de la campana: Extractor interno
- 11 Instalación de la campana: Extractor en línea/remoto
- 14 Resolución de problemas

Las características y especificaciones están sujetas a cambios sin previo aviso. Visite wolfappliance.com/specs para obtener la información más actualizada.

Aviso importante

Para garantizar que este producto se instale y opere de la forma más segura y eficiente posible, tome nota de los siguientes tipos de información resaltada en este manual:

AVISO IMPORTANTE señala la información que es especialmente importante.

PRECAUCIÓN indica una situación en la que se pueden sufrir heridas leves o provocar daños al producto si no se siguen las instrucciones.

ADVERTENCIA indica peligro de que se produzcan heridas graves o incluso la muerte si no se siguen las precauciones.

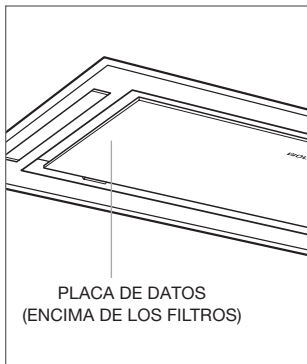
AVISO IMPORTANTE: en toda esta guía, las dimensiones entre paréntesis son milímetros, a menos que se especifique lo contrario.

AVISO IMPORTANTE: guarde estas instrucciones para el inspector eléctrico local.

Información del producto

La información importante del producto, incluido el modelo y número de serie de la unidad, se encuentra en la placa de datos del producto, que está debajo del costado izquierdo de la campana, encima de los filtros (se deben retirar los filtros). Consulte la siguiente ilustración.

Si es necesario realizar algún servicio, póngase en contacto con el Servicio certificado de fábrica de Wolf y tenga a mano el modelo y el número de serie. Para obtener los datos del centro de Servicio certificado de fábrica de Wolf más cercano o si tiene preguntas acerca de la instalación, visite la sección de contacto y soporte técnico en nuestra página de Internet wolfappliance.com; o bien, llame a la línea de atención al cliente de Wolf al 800-222-7820.



Ubicación de la placa de datos

INSTRUCCIONES IMPORTANTES

⚠ ADVERTENCIA

PARA REDUCIR EL RIESGO DE INCENDIO, DESCARGA ELÉCTRICA O LESIONES A LAS PERSONAS, TOMA LAS SIGUIENTES PRECAUCIONES:

- a) Una persona calificada debe realizar el trabajo de instalación y cableado eléctrico de conformidad con todos los códigos y normas aplicables, incluyendo la de construcción a prueba de fuego.
- b) Se necesita suficiente aire para permitir una combustión y escape de gases adecuados por el tubo de chimenea del equipo quemador de combustible para evitar que se produzcan llamaradas. Siga las directrices del fabricante del equipo de calefacción y las normas de seguridad como las publicadas por la Asociación Nacional de Protección contra Incendios (NFPA, por sus siglas en inglés) y la Sociedad Estadounidense de Ingenieros en Calefacción, Refrigeración y Aire Acondicionado (ASHRAE, por sus siglas en inglés) y los códigos de las autoridades locales.
- c) Al cortar o perforar la pared o el techo, no dañe el cableado eléctrico ni otros servicios ocultos.
- d) Los ventiladores con conductos siempre deben descargarse hacia el exterior.

Conductos

⚠️ ADVERTENCIA

Utilice solamente conductos metálicos.

Consulte a un profesional de climatización calificado para la instalación específica y las aplicaciones de conductos.

La campana admite un conducto redondo de 6" (152). Utilice solamente conductos metálicos rígidos.

Los tramos de conductos cortos y rectos son más efectivos y garantizarán un desempeño adecuado. Si el tramo de conducto supera los 50' (15 m), se puede necesitar un extractor CFM más alto para mantener un flujo de aire adecuado. La instalación de un extractor remoto en un tramo de conducto corto puede aumentar el ruido.

Los extractores internos y en línea necesitan una rejilla de techo o de pared. Utilice tornillos de metal y cinta de aluminio o cinta para conductos de alta temperatura para sellar las uniones entre las secciones de conductos.

La campana incluye una compuerta de contraflujo de aire. Es posible que los códigos locales exijan que se utilice una compuerta adicional de contraflujo o aire renovable. Comuníquese con un profesional local de climatización para conocer los requisitos específicos.

Una compuerta de aire renovable está disponible a través de un distribuidor autorizado de Wolf.

⚠️ PRECAUCIÓN

Para reducir el riesgo de incendio y extraer el aire de manera apropiada, dirija el aire hacia el exterior. No ventile el aire del escape en espacios cerrados por paredes, techos, áticos, espacios angostos o garajes.

⚠️ PRECAUCIÓN

Para reducir el riesgo de incendio y descargas eléctricas, instale solamente esta campana con los modelos de extractores que tengan una capacidad máxima de 3A y que sean adecuados para utilizarlos con el control de velocidad de estado sólido o el extractor interno "Extractor—600 CFM" fabricado por Wolf.

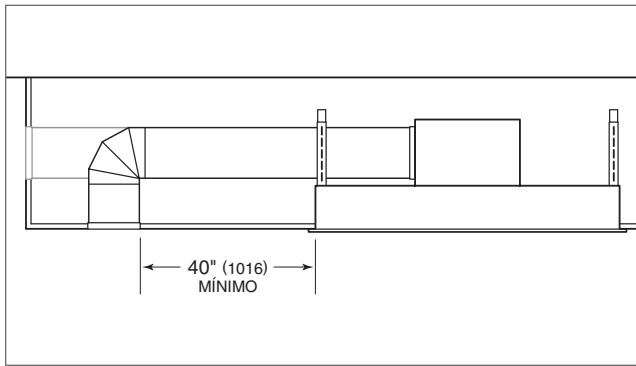
Conductos

APLICACIÓN DE RECIRCULACIÓN

La campana con un extractor interno se puede instalar en una aplicación de recirculación. La descarga de aire debe ser de un mínimo de 40" (1016) desde cada lado de la campana. Consulte la siguiente ilustración.

No se suministran los conductos y la tapa de la ventilación.

Se requiere un kit de recirculación, disponible a través de un distribuidor autorizado de Wolf.



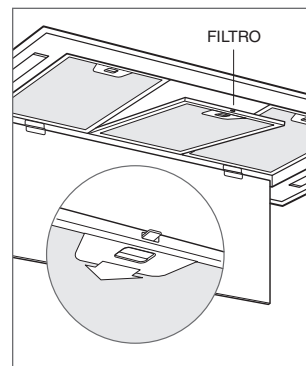
Aplicación de recirculación

Extracción del filtro

Para acceder a los filtros de grasa, hale hacia abajo el borde frontal del panel inferior de la campana y déjelo rotar hacia abajo.

Para retirar los filtros, consulte la ilustración a continuación.

AVISO IMPORTANTE: no opere la campana de ventilación sin los filtros de grasa.



Extracción del filtro

Requisitos de instalación

Instale la campana a 36" (914) y 84" (2134) de distancia desde la parte inferior de la campana a la encimera.

La campana requiere que se instale un extractor 600 CFM interno o en línea o 600 CFM o 1200 CFM remoto, que se puede obtener a través de un distribuidor autorizado de Wolf.

Consulte a un profesional de climatización calificado para la instalación específica y las aplicaciones de conductos.

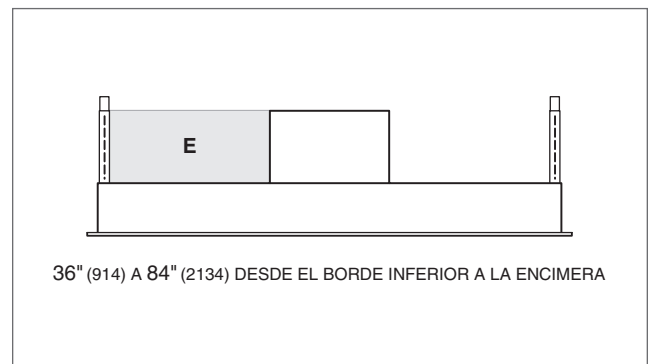
Instalación eléctrica

La instalación debe cumplir con todos los códigos eléctricos vigentes.

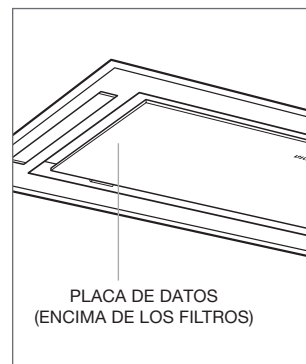
Localice el suministro eléctrico en la zona sombreada que se muestra en la ilustración a continuación. Deje como mínimo un cable (Romex) de 12" (305) para la conexión. Se necesita un circuito independiente que le suministre electricidad únicamente a este electrodoméstico.

REQUISITOS ELÉCTRICOS

Suministro eléctrico	Con conexión a tierra, 120 V CA, 60 Hz
Servicio	Circuito exclusivo de 15 amperes



Ubicación eléctrica



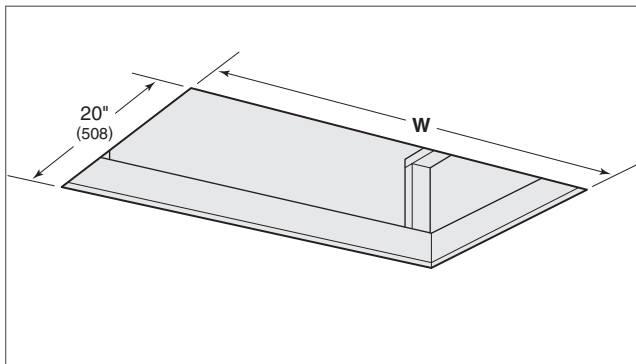
Ubicación de la placa de datos

ESPECIFICACIONES

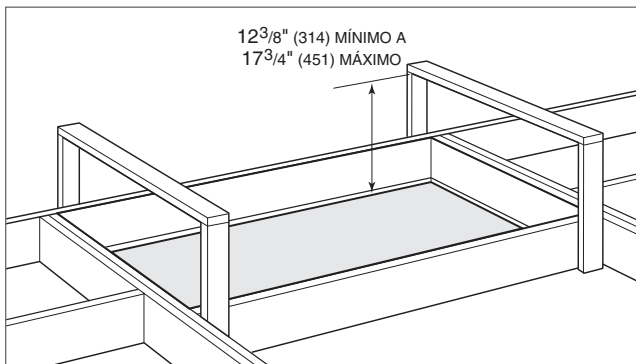
Preparación del techo

Consulte en la tabla y las ilustraciones siguientes las dimensiones de abertura y la estructura típica. Construya la estructura con madera de 2" x 4" como mínimo. La estructura debe poder soportar un peso mínimo de 100 lb (45 kg).

CAMPANA	Ancho (W)
Campana de 36" (76.2 cm)	34 ¹ / ₂ " (873)
Campana de 48" (76.2 cm)	46 ¹ / ₄ " (1175)



Dimensiones de abertura

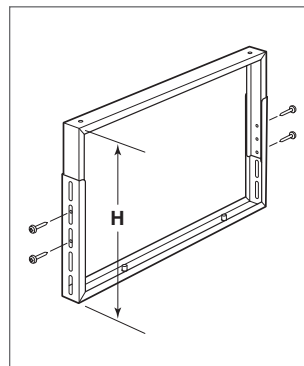


Estructura de soporte (típica)

Soportes para montaje

Para determinar la altura de los soportes de montaje ajustables, reste 5" (127) de la altura de la estructura de soporte (por ejemplo, altura de la estructura de soporte – 5" = Altura).

Utilice los tornillos de ³/₈" (10) de largo provistos para sujetar los soportes. Consulte la siguiente ilustración.

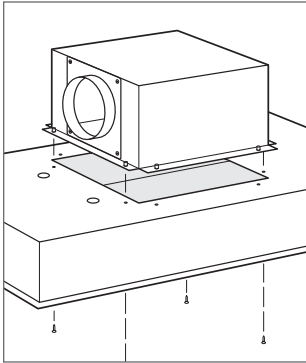


Ajuste de los soportes

Instalación de la campana - Extractor interno

EXTRACCIÓN DE LA CAJA DEL EXTRACTOR

Retire la caja del extractor de la campana quitando los cuatro tornillos. Consulte la siguiente ilustración.

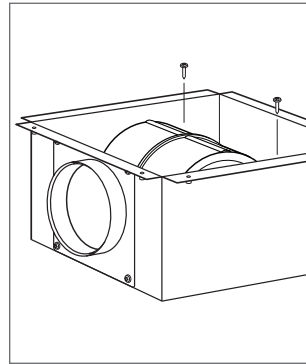


Extracción de la caja del extractor

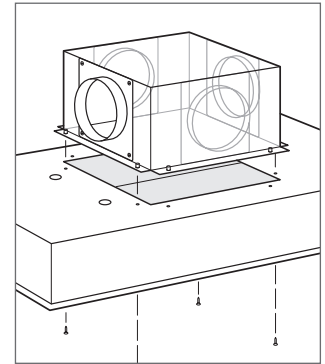
INSTALACIÓN DEL EXTRACTOR

AVISO IMPORTANTE: el extractor se debe instalar y enchufar antes de realizar la conexión eléctrica a la campana.

- 1 Inserte la descarga redonda del extractor en la descarga redonda en la caja del extractor.
- 2 Asegure el extractor en la caja del extractor con los dos tornillos incluidos con el extractor. Consulte la siguiente ilustración.
- 3 Rote la caja del extractor, de modo que la descarga redonda de 6" (152) quede ubicada correctamente. Consulte la siguiente ilustración.
- 4 Asegure la caja del extractor a la campana con los tornillos incluidos.



Instalación del extractor interno



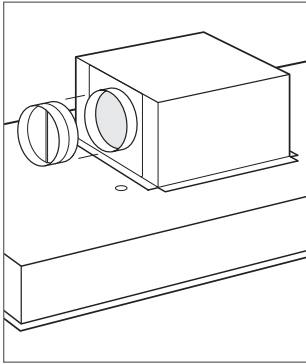
Dirección de la descarga interna

INSTALACIÓN

Instalación de la campana - Extractor interno

INSTALACIÓN DE LA COMPUERTA

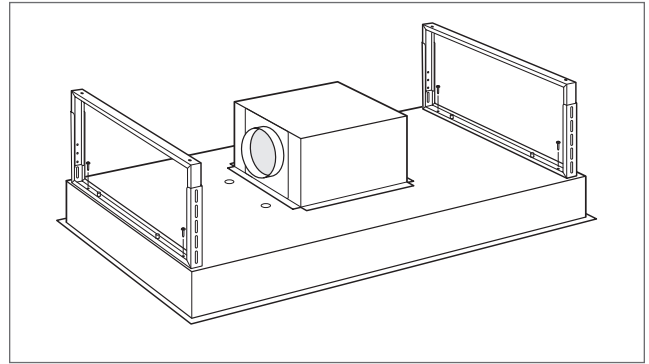
Coloque la compuerta redonda en la descarga redonda y asegure con cinta para sellado de conductos. Consulte la siguiente ilustración.



Instalación de la compuerta

INSTALACIÓN DE LOS SOPORTES

Asegure los dos soportes de montaje a la campana con los cuatro tornillos de $\frac{9}{16}$ " (14) de largo proporcionados. Consulte la siguiente ilustración.



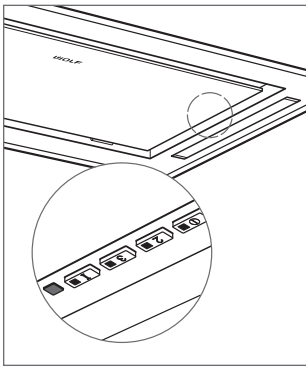
Instalación de los soportes

Instalación de la campana - Extractor interno

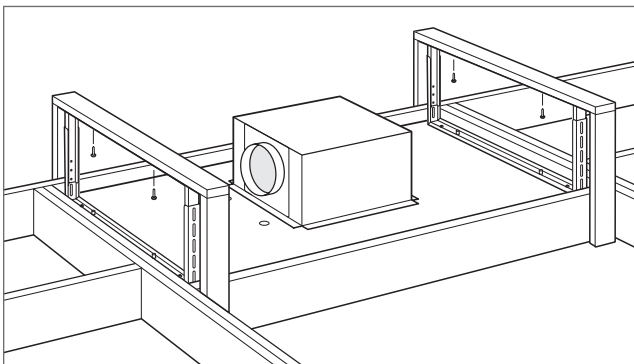
INSTALACIÓN DE LA CAMPANA

AVISO IMPORTANTE: no se suministran herrajes para montaje.

- 1 Verifique que el panel de control en la campana esté ubicado a la derecha. Consulte la siguiente ilustración.
- 2 Inserte la campana en la abertura.
- 3 Asegure la campana en la estructura de soporte del techo. Consulte la siguiente ilustración.
- 4 Conecte los conductos a la compuerta, luego asegure con cinta para sellado de conductos.



Ubicación del panel de control



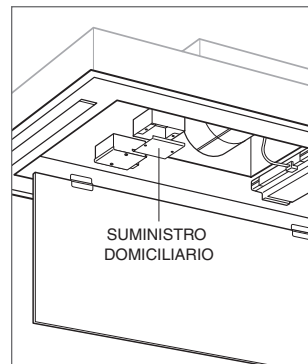
Instalación de la campana

CONEXIONES DE CABLEADO

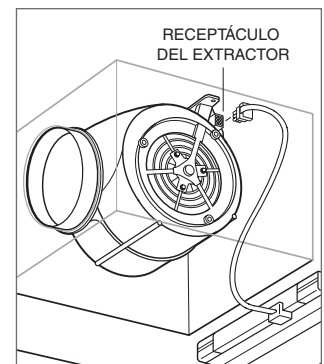
⚠ ADVERTENCIA

Antes de realizar las conexiones eléctricas, asegúrese de que la corriente eléctrica esté apagada en el panel de servicio.

- 1 Retire el prepunzonado sobre la caja de derivación de suministro domiciliario, luego introduzca el suministro eléctrico domiciliario (Romex) en la caja eléctrica. Consulte la siguiente ilustración.
- 2 Asegure el suministro eléctrico a la caja eléctrica con un conector aprobado por UL o C/UL (no se incluye).
- 3 Conecte el cable verde o desnudo de tierra al tornillo de conexión a tierra verde. Utilice conectores de cable apropiados (no se incluyen) para conectar blanco a blanco y negro a negro.
- 4 Coloque todas las conexiones de cableado dentro de la caja eléctrica y luego instale la tapa. Verifique que todos los cables estén asegurados y que no queden prensados entre la tapa y la caja eléctrica.
- 5 Introduzca el enchufe de la carcasa del tablero de control en el tomacorriente del extractor. Consulte la siguiente ilustración.



Conexiones de cableado



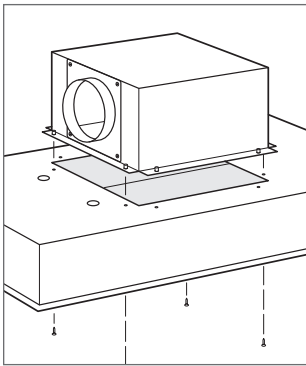
Conexión del extractor

INSTALACIÓN

Instalación de la campana - Extractor en línea/remoto

EXTRACCIÓN DE LA CAJA DEL EXTRACTOR

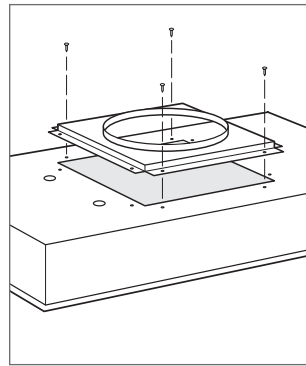
- 1 Retire la caja del extractor de la campana quitando los cuatro tornillos. Consulte la siguiente ilustración.
- 2 Deseche la caja del extractor y los tornillos.



Extracción de la caja del extractor

INSTALACIÓN DE LA BRIDA

- 1 Coloque la brida en la parte superior de la campana.
- 2 Asegure la brida a la campana con los tornillos de 1/4" (6) de largo provistos. Consulte la siguiente ilustración.

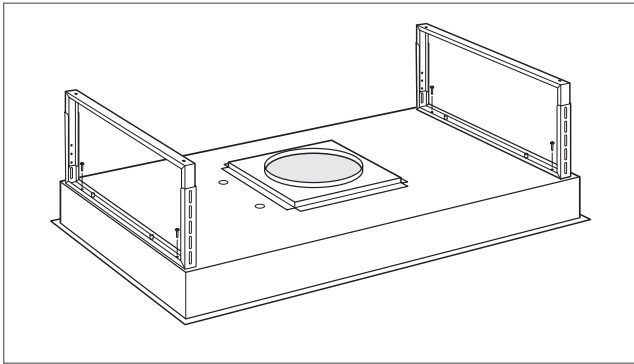


Instalación de la brida

Instalación de la campana - Extractor en línea/remoto

INSTALACIÓN DE LOS SOPORTES

Asegure los dos soportes de montaje a la campana con los cuatro tornillos de $\frac{9}{16}$ " (14) de largo proporcionados. Consulte la siguiente ilustración.

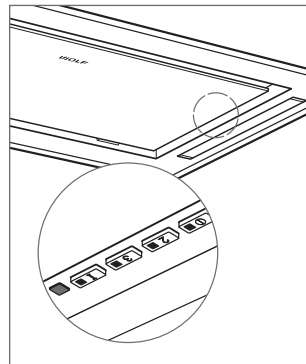


Instalación de los soportes

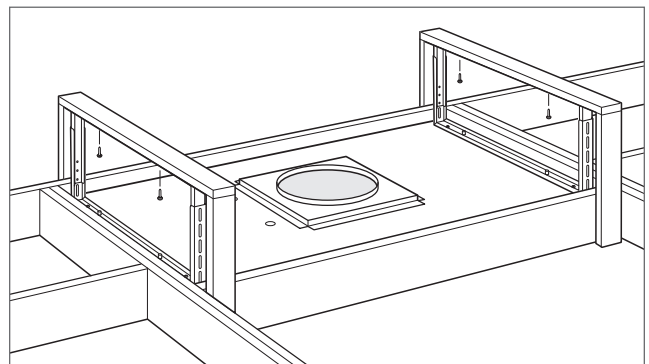
INSTALACIÓN DE LA CAMPANA

AVISO IMPORTANTE: no se suministran herrajes para montaje.

- 1 Verifique que el panel de control en la campana esté ubicado a la derecha. Consulte la siguiente ilustración.
- 2 Inserte la campana en la abertura.
- 3 Asegure la campana en la estructura de soporte del techo. Consulte la siguiente ilustración.
- 4 Conecte los conductos a la compuerta, luego asegure con cinta para sellado de conductos.



Ubicación del panel de control



Instalación de la campana

Instalación de la campana - Extractor en línea/remoto

CONEXIONES DE CABLEADO

⚠ ADVERTENCIA

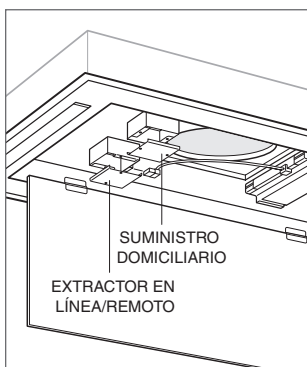
Antes de realizar las conexiones eléctricas, asegúrese de que la corriente eléctrica esté apagada en el panel de servicio.

Suministro domiciliario:

- 1 Retire el prepunzonado sobre la caja de derivación de suministro domiciliario, luego introduzca el suministro eléctrico domiciliario (Romex) en la caja eléctrica. Consulte la siguiente ilustración.
- 2 Asegure el suministro eléctrico a la caja eléctrica con un conector aprobado por UL o C/UL (no se incluye).
- 3 Conecte el cable verde o desnudo de tierra al tornillo de conexión a tierra verde. Utilice conectores de cable apropiados (no se incluyen) para conectar blanco a blanco y negro a negro.
- 4 Coloque todas las conexiones de cableado dentro de la caja eléctrica y luego instale la tapa. Verifique que todos los cables estén asegurados y que no queden prensados entre la tapa y la caja eléctrica.

Suministro en línea/remoto:

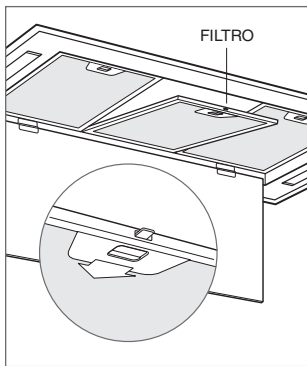
- 1 Retire el prepunzonado sobre la caja de derivación del extractor en línea/remoto, luego introduzca el suministro eléctrico del extractor (Romex) en la caja eléctrica.
- 2 Asegure el suministro eléctrico a la caja eléctrica con un conector aprobado por UL o C/UL (no se incluye).
- 3 Conecte el cable verde o desnudo de tierra al tornillo de conexión a tierra verde. Utilice conectores de cable apropiados (no se incluyen) para conectar el blanco con el azul y el negro con el marrón.
- 4 Coloque todas las conexiones de cableado dentro de la caja eléctrica y luego instale la tapa. Verifique que todos los cables estén asegurados y que no queden prensados entre la tapa y la caja eléctrica.
- 5 Introduzca el enchufe de la carcasa del tablero de control en el tomacorriente al lado de la caja de derivación.



Conexiones de cableado

Finalización

- 1 Instale los filtros de grasa. Consulte la siguiente ilustración.
- 2 Rote la tapa inferior hacia arriba y hacia su posición.
- 3 Encienda el suministro eléctrico en el panel de circuitos y verifique el funcionamiento.



Instalación del filtro

Solución de problemas

AVISO IMPORTANTE: si la campana no funciona correctamente, siga estos pasos para resolver problemas:

- 1 Compruebe que la campana tiene corriente eléctrica.
- 2 Compruebe que las conexiones de cableado estén correctas.
- 3 Si la campana no funciona correctamente, póngase en contacto con el centro de Servicio certificado de fábrica de Wolf. No intente reparar la campana. Wolf no es responsable del servicio necesario para corregir una instalación defectuosa.

Sub-Zero, Sub-Zero & Design, Sub-Zero & Snowflake Design, Dual Refrigeration, The Living Kitchen, Great American Kitchens The Fine Art of Kitchen Design, Wolf, Wolf & Design, Wolf Gourmet, W & Design, red colored knobs, Cove, and Cove & Design son marcas registradas y marcas de servicio de Sub-Zero Group, Inc. y sus filiales. Todas las demás marcas registradas son propiedad de sus dueños respectivos en los Estados Unidos y otros países.

Table des matières

- 3 Hotte installée au plafond
- 4 Préparation du site
- 6 Spécifications
- 8 Installation de la hotte: ventilateur interne
- 11 Installation de la hotte: ventilateur en ligne/à distance
- 14 Dépannage

Les caractéristiques et les spécifications peuvent être modifiées en tout temps sans préavis. Visitez wolfappliance.com/specs pour obtenir les renseignements les plus récents.

Remarque importante

Pour s'assurer que ce produit est installé et utilisé en toute sécurité et aussi efficacement que possible, prenez note des types de renseignement mis en évidence tout au long de ce guide :

REMARQUE IMPORTANTE met en évidence des renseignements qui sont particulièrement importants.

MISE EN GARDE indique une situation où une blessure mineure ou des dommages au produit peuvent se produire si les directives ne sont pas respectées.

AVERTISSEMENT décrit un danger qui peut causer une blessure grave ou la mort si les précautions ne sont pas respectées.

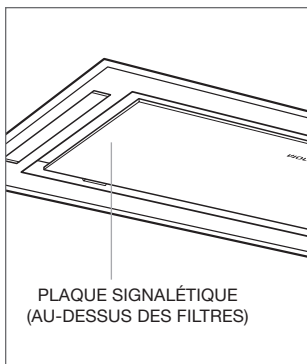
REMARQUE IMPORTANTE : Tout au long de ce guide, les dimensions entre parenthèses sont en millimètres à moins d'indication contraire.

REMARQUE IMPORTANTE : Conservez ces directives pour l'inspecteur en électricité local.

Renseignements sur le produit

Des renseignements importants sur le produit, y compris les numéros de modèle et de série, se trouvent sur la plaque signalétique du produit. La plaque signalétique est située sous le côté gauche de la hotte, au-dessus des filtres (les filtres doivent être enlevés). Reportez-vous à l'illustration ci-dessous.

Si vous avez besoin de service, communiquez avec le service Wolf certifié par l'usine avec les numéros de modèle et de série. Pour obtenir le nom du centre de service Wolf certifié par l'usine le plus près de chez vous ou si vous avez des questions concernant l'installation, consultez la section Contact et assistance de notre site Web, www.wolfappliance.com ou appelez le service à la clientèle de Wolf au 800-222-7820.



Emplacement de la plaque signalétique

DIRECTIVES IMPORTANTES

⚠ AVERTISSEMENT

EN VUE DE RÉDUIRE LE RISQUE D'INCENDIE, DE CHOC ÉLECTRIQUE OU DE BLESSURES, RESPECTEZ LES ÉLÉMENTS SUIVANTS :

- a) Le travail d'installation et le câblage électrique doivent être effectués par une (des) personne(s) qualifiée(s) conformément à tous les codes et normes applicables, y compris ceux concernant la construction résistante au feu.
- b) Il faut suffisamment d'air pour la combustion appropriée et l'évacuation des gaz dans le conduit (cheminée) de l'équipement de chauffage au mazout pour éviter le refoulement de l'air. Suivez les directives du fabricant de l'équipement de chauffage et les normes de sécurité comme celles publiées par la National Fire Protection Association (NFPA ou association nationale de protection contre les incendies), l'American Society for Heating, Refrigeration and Air Conditioning Engineers (ASHRAE ou société américaine des ingénieurs de chauffage, réfrigération et climatisation) et les autorités locales concernant les codes.
- c) Lorsque vous coupez ou percez dans un mur ou un plafond, n'endommagez pas les fils électriques ou d'autres services publics cachés.
- d) Les ventilateurs à enveloppe doivent toujours être ventilés vers l'extérieur.

Gaines

⚠ AVERTISSEMENT

Utilisez uniquement des gaines métalliques.

Consultez un professionnel en CVC qualifié pour des installations et des applications de gaines précises.

La hotte accepte une gaine ronde de 6 po (152). Utilisez uniquement des gaines métalliques rigides.

Un tracé de gaines court et droit est plus efficace et assure une meilleure performance. Si le tracé des gaines dépasse 50 pi (15 m), un ventilateur à débit plus élevé pourra être requis pour obtenir le débit d'air approprié. Un ventilateur à distance installé sur une gaine courte peut augmenter le niveau du bruit.

Les ventilateurs internes et en ligne nécessitent un capuchon de toit ou de mur. Utilisez des vis autotaraudeuses et du ruban d'aluminium ou du ruban adhésif en toile pour température élevée pour sceller les joints entre les sections de gaine.

La hotte comprend une persienne antiretour. Les codes locaux peuvent exiger l'utilisation d'une persienne antiretour ou d'air d'appoint. Communiquez avec votre professionnel en CVC local pour connaître les exigences précises.

Une persienne d'air d'appoint est offerte par les dépositaires Wolf autorisés.

⚠ MISE EN GARDE

En vue de réduire le risque d'incendie et de correctement évacuer l'air, acheminez l'air vers l'extérieur. Ne ventilez pas l'évacuation dans des espaces entre des murs, des plafonds, des greniers, des galeries ou des garages.

⚠ MISE EN GARDE

En vue de réduire le risque d'incendie et de choc électrique, installez cette hotte de cuisinière uniquement avec les modèles de ventilateur à distance classés pour un maximum de 3 ampères pour utilisation avec une commande de vitesse à semi-conducteur ou des ventilateurs internes fabriqués par Wolf, « Ventilateur – 600 pi³/min ».

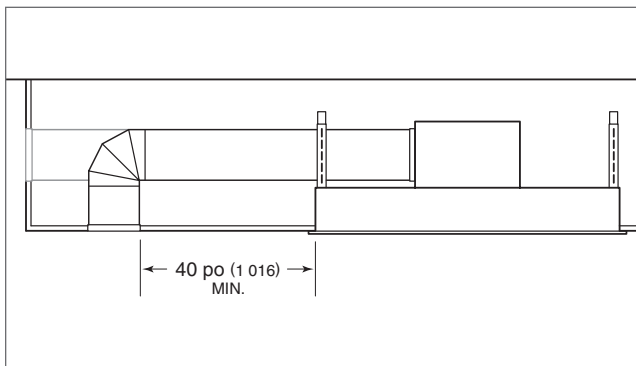
Gaines

APPLICATION DE REMISE EN CIRCULATION

La hotte avec un ventilateur interne peut être installée dans une application de remise en circulation. L'évacuation d'air doit mesurer au moins 40 po (1016) de chaque côté de la hotte. Reportez-vous à l'illustration ci-dessous.

Les gaines et le couvercle d'évent ne sont pas fournis.

Une trousse de remise en circulation, offerte par les déposi-taires Wolf autorisés, est requise.



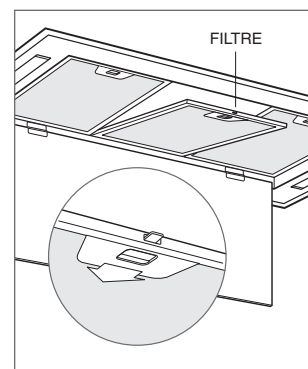
Application de remise en circulation

Retrait du filtre

Pour accéder aux filtres à graisse, tirez le rebord avant du panneau inférieur de la hotte vers le bas et laissez-le pivoter vers le bas.

Pour retirer les filtres, reportez-vous à l'illustration ci-dessous.

REMARQUE IMPORTANTE : Ne faites pas fonctionner la hotte de ventilation sans les filtres à graisse.



Retrait du filtre

Exigences d'installation

Installez la hotte à une distance de 36 po (914) à 84 po (2 134) de la partie inférieure de la hotte jusqu'au comptoir.

La hotte nécessite un assemblage de ventilateur 600 CFM interne ou a en ligne ou à 600 CFM ou a 1200 CFM distance, offert par les dépositaires Wolf autorisés.

Consultez un professionnel en CVC qualifié pour des installations et des applications de gaines précises.

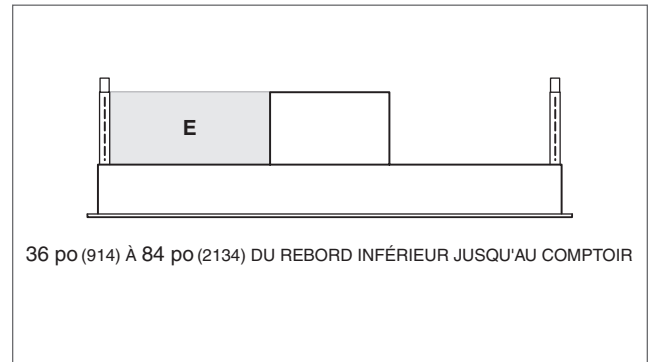
Électricité

L'installation doit se conformer à tous les codes électriques applicables.

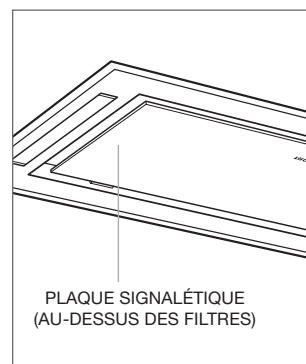
Repérez l'alimentation électrique dans la zone ombragée indiquée dans l'illustration ci-dessous. Ayez un fil (Romex) d'au moins 12 po (305) pour effectuer la connexion. Un circuit séparé servant uniquement cet appareil est requis.

EXIGENCES ÉLECTRIQUES

Alimentation électrique	mise à la terre, 120 volts CA, 60 Hz
Service	Circuit dédié de 15 ampères



Emplacement de l'électricité



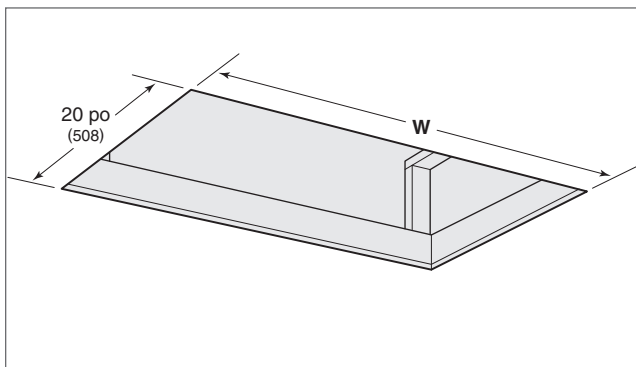
Emplacement de la plaque signalétique

SPÉCIFICATIONS

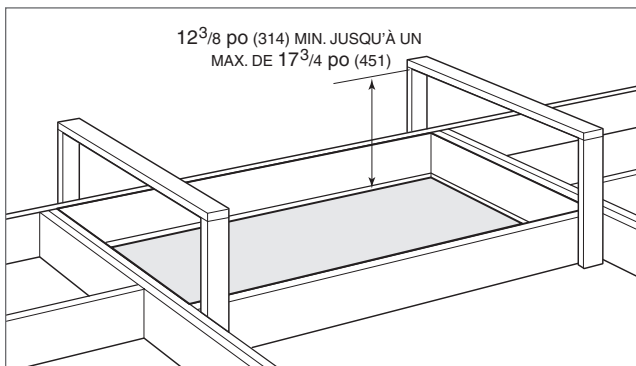
Préparation du plafond

Reportez-vous au tableau et aux illustrations ci-dessous pour la dimension des ouvertures et du cadre typique. Effectuez le cadre en utilisant du bois mesurant au moins 2 x 4 po (51 x 102). Le cadre doit pouvoir soutenir une charge d'au moins 100 lb (45 kg).

HOTTE	W
Hotte de 36 po	34 ¹ / ₂ po (873)
Hotte de 48 po	46 ¹ / ₄ po (1 175)



Dimension des ouvertures

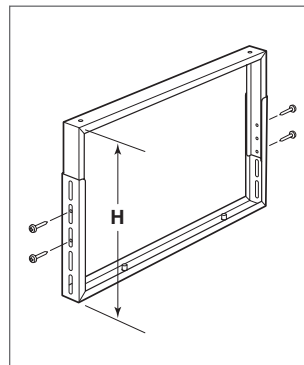


Cadre de soutien (typique)

Supports de montage

Pour déterminer la hauteur des supports de montage réglables, soustrayez 5 po (127) de la hauteur du cadre de soutien (p. ex., hauteur du cadre de soutien – 5 po = H).

Utilisez les vis de ³/₈ po (10) de longueur fournies pour fixer les supports. Reportez-vous à l'illustration ci-dessous.

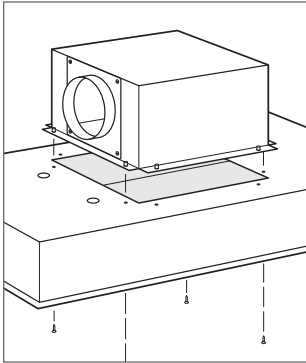


Réglage des supports

Installation de la hotte—ventilateur interne

RETRAIT DU BOÎTIER DU VENTILATEUR

Retirez le boîtier du ventilateur de la hotte en retirant les quatre vis. Reportez-vous à l'illustration ci-dessous.

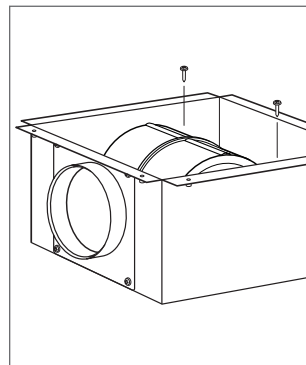


Retrait du boîtier du ventilateur

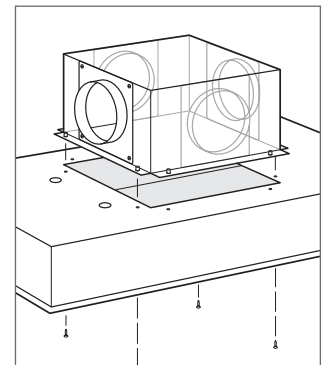
INSTALLATION DU VENTILATEUR

REMARQUE IMPORTANTE : Le ventilateur doit être installé et branché avant d'effectuer la connexion électrique jusqu'à la hotte.

- 1 Insérez l'évacuation ronde située sur le ventilateur dans l'évacuation ronde située sur le boîtier du ventilateur.
- 2 Fixez le ventilateur au boîtier du ventilateur avec le deux vis fournies avec le ventilateur. Reportez-vous à l'illustration ci-dessous.
- 3 Pivotez le boîtier du ventilateur de manière à ce que l'évacuation ronde de 6 po (152) soit correctement placée. Reportez-vous à l'illustration ci-dessous.
- 4 Fixez le boîtier du ventilateur à la hotte avec les vis existantes.



Installation du ventilateur interne



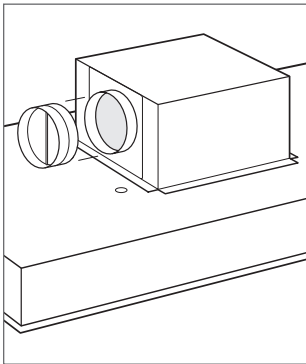
Direction de l'évacuation interne

INSTALLATION

Installation de la hotte—ventilateur interne

INSTALLATION DU REGISTRE

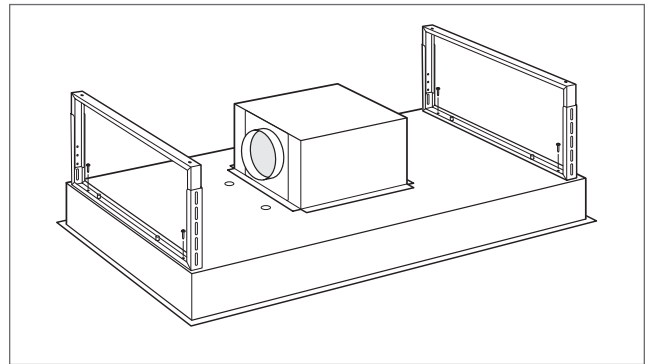
Placez le registre rond sur l'évacuation ronde et fixez avec du ruban adhésif en toile. Reportez-vous à l'illustration ci-dessous.



Installation du registre

INSTALLATION DES SUPPORTS

Fixez les deux supports de montage à la hotte en utilisant les quatre vis de $\frac{9}{16}$ po (14) de longueur fournies. Reportez-vous à l'illustration ci-dessous.



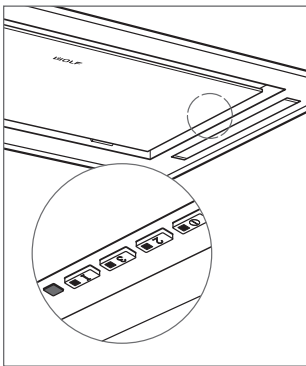
Installation des supports

Installation de la hotte—ventilateur interne

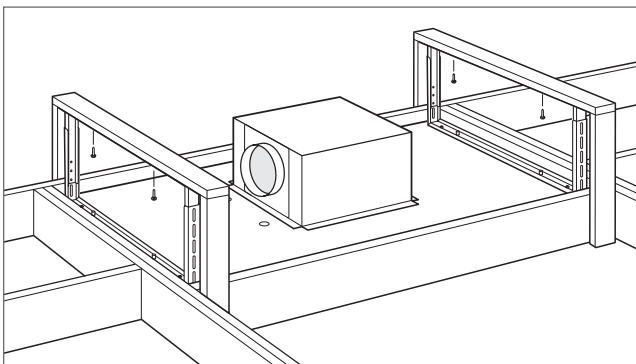
INSTALLATION DE LA HOTTE

REMARQUE IMPORTANTE : La quincaillerie de montage n'est pas fournie.

- 1 Vérifiez que le panneau de commande de la hotte se trouve du côté droit. Reportez-vous à l'illustration ci-dessous.
- 2 Insérez la hotte dans l'ouverture.
- 3 Fixez la hotte au cadre de soutien au plafond. Reportez-vous à l'illustration ci-dessous.
- 4 Reliez les gaines au registre, puis fixez avec du ruban adhésif en toile.



Emplacement du panneau de commande



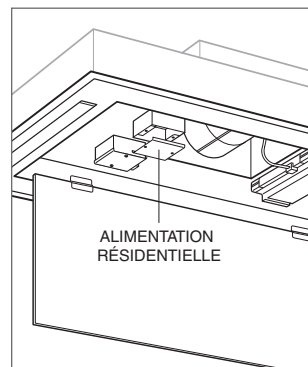
Installation de la hotte

CONNEXIONS

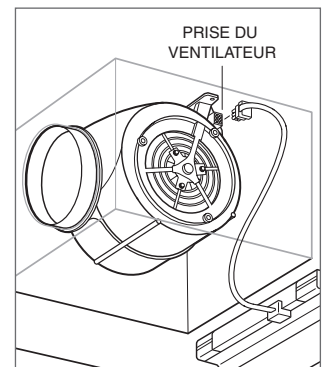
⚠ AVERTISSEMENT

Avant d'effectuer des connexions électriques, assurez-vous que l'alimentation est coupée au niveau du panneau de service.

- 1 Retirez l'alvéole défonçable située au-dessus de la boîte de connexion résidentielle, puis insérez le fil d'alimentation résidentiel (Romex) dans le coffret électrique. Reportez-vous à l'illustration ci-dessous.
- 2 Reliez l'alimentation électrique au coffret électrique avec un connecteur approuvé UL ou C/UL (non fourni).
- 3 Reliez le fil vert ou nu de mise à la terre à la vis verte de mise à la terre. Utilisez les connecteurs de fil appropriés (non fournis) pour effectuer les connexions de blanc à blanc et noir à noir.
- 4 Placez toutes les connexions de câblage à l'intérieur du coffret électrique, puis installez le couvercle. Vérifiez que tous les fils sont sécurisés et non coincés entre le couvercle et le coffret électrique.
- 5 Insérez la fiche du boîtier du panneau de commande dans la prise du ventilateur. Reportez-vous à l'illustration ci-dessous.



Connexions



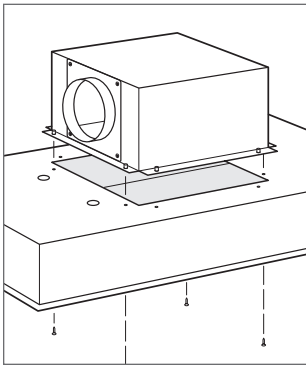
Connexion du ventilateur

INSTALLATION

Installation de la hotte—ventilateur en ligne/à distance

RETRAIT DU BOÎTIER DU VENTILATEUR

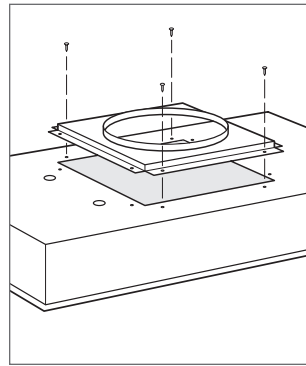
- 1 Retirez le boîtier du ventilateur de la hotte en retirant les quatre vis. Reportez-vous à l'illustration ci-dessous.
- 2 Éliminez le boîtier du ventilateur et les vis.



Retrait du boîtier du ventilateur

INSTALLATION DE LA BRIDE

- 1 Placez la bride sur le dessus de la hotte.
- 2 Fixez la bride à la hotte avec les vis de 1/4 po (6) de longueur fournies. Reportez-vous à l'illustration ci-dessous.

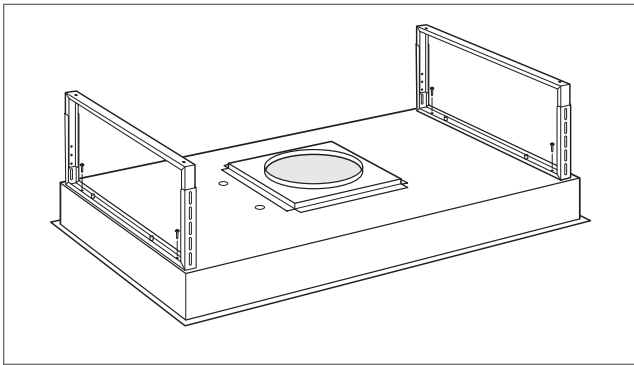


Installation de la bride

Installation de la hotte—ventilateur en ligne/à distance

INSTALLATION DES SUPPORTS

Fixez les deux supports de montage à la hotte en utilisant les quatre vis de $\frac{9}{16}$ po (14) de longueur fournies. Reportez-vous à l'illustration ci-dessous.

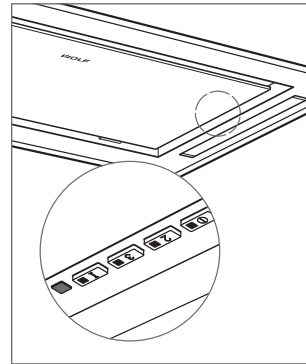


Installation des supports

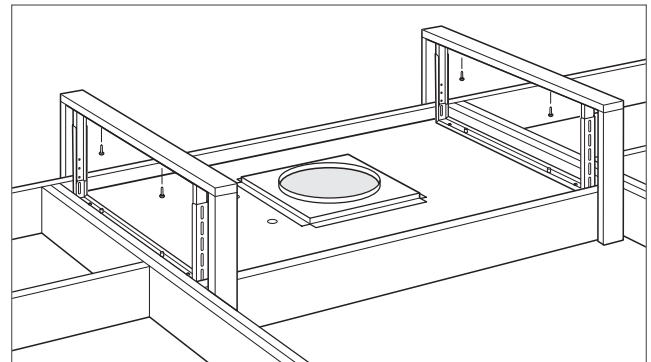
INSTALLATION DE LA HOTTE

REMARQUE IMPORTANTE : La quincaillerie de montage n'est pas fournie.

- 1 Vérifiez que le panneau de commande de la hotte se trouve du côté droit. Reportez-vous à l'illustration ci-dessous.
- 2 Insérez la hotte dans l'ouverture.
- 3 Fixez la hotte au cadre de soutien au plafond. Reportez-vous à l'illustration ci-dessous.
- 4 Reliez les gaines au registre, puis fixez avec du ruban adhésif en toile.



Emplacement du panneau de commande



Installation de la hotte

Installation de la hotte—ventilateur en ligne/à distance

CONNEXIONS

⚠ AVERTISSEMENT

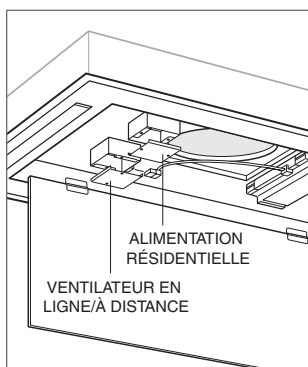
Avant d'effectuer des connexions électriques, assurez-vous que l'alimentation est coupée au niveau du panneau de service.

Alimentation résidentielle :

- 1 Retirez l'alvéole défonçable située au-dessus de la boîte de connexion résidentielle, puis insérez le fil d'alimentation résidentiel (Romex) dans le coffret électrique. Reportez-vous à l'illustration ci-dessous.
- 2 Fixez l'alimentation électrique au coffret électrique avec un connecteur approuvé UL ou C/UL (non fourni).
- 3 Reliez le fil vert ou nu de mise à la terre à la vis verte de mise à la terre. Utilisez les connecteurs de fil appropriés (non fournis) pour effectuer les connexions de blanc à blanc et noir à noir.
- 4 Placez toutes les connexions de câblage à l'intérieur du coffret électrique, puis installez le couvercle. Vérifiez que tous les fils sont sécurisés et non coincés entre le couvercle et le coffret électrique.

Alimentation en ligne/à distance :

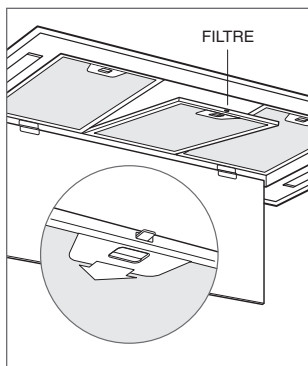
- 1 Retirez l'alvéole défonçable située au-dessus de la boîte de connexion en ligne/à distance du ventilateur, puis insérez le fil d'alimentation résidentiel (Romex) du ventilateur dans le coffret électrique.
- 2 Fixez l'alimentation électrique au coffret électrique avec un connecteur approuvé UL ou C/UL (non fourni).
- 3 Reliez le fil vert ou nu de mise à la terre à la vis verte de mise à la terre. Utilisez les connecteurs de fil appropriés (non fournis) pour effectuer les connexions de blanc à bleu et noir à brun.
- 4 Placez toutes les connexions de câblage à l'intérieur du coffret électrique, puis installez le couvercle. Vérifiez que tous les fils sont sécurisés et non coincés entre le couvercle et le coffret électrique.
- 5 Insérez la fiche du boîtier du panneau de commande dans la prise située sur le côté de la boîte de connexion.



Connexions

Achèvement

- 1 Installez les filtres à graisse. Reportez-vous à l'illustration ci-dessous.
- 2 Basculez le couvercle inférieur vers le haut pour le replacer.
- 3 Rétablissez l'alimentation électrique au niveau du panneau de circuit et vérifiez le fonctionnement.



Installation du filtre

Dépannage

REMARQUE IMPORTANTE : Si la hotte ne fonctionne pas correctement, suivez les étapes de dépannage suivantes :

- 1 Vérifiez l'alimentation électrique de la hotte.
- 2 Vérifiez les connexions.
- 3 Si la hotte ne fonctionne toujours pas correctement, communiquez avec un centre de service Wolf certifié par l'usine. Ne tentez pas de réparer la hotte. Wolf n'est pas responsable du service requis pour corriger une installation défectueuse.

Sub-Zero, Sub-Zero & Design, Sub-Zero & Snowflake Design, Dual Refrigeration, The Living Kitchen, Great American Kitchens The Fine Art of Kitchen Design, Wolf, Wolf & Design, Wolf Gourmet, W & Design, les boutons de couleur rouge, Cove et Cove & Design sont des marques déposées et de service de Sub-Zero Group, Inc. et ses filiales. Toutes les autres marques de commerce appartiennent à leurs propriétaires respectifs aux États-Unis et dans d'autres pays.



WOLF APPLIANCE, INC. P.O. BOX 44848 MADISON, WI 53744 WOLFAPPLIANCE.COM 800.222.7820

828138 REV-C

10/2018

