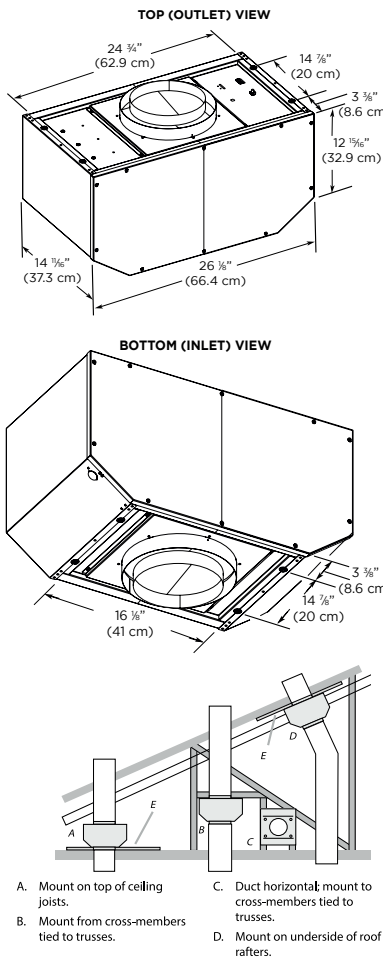
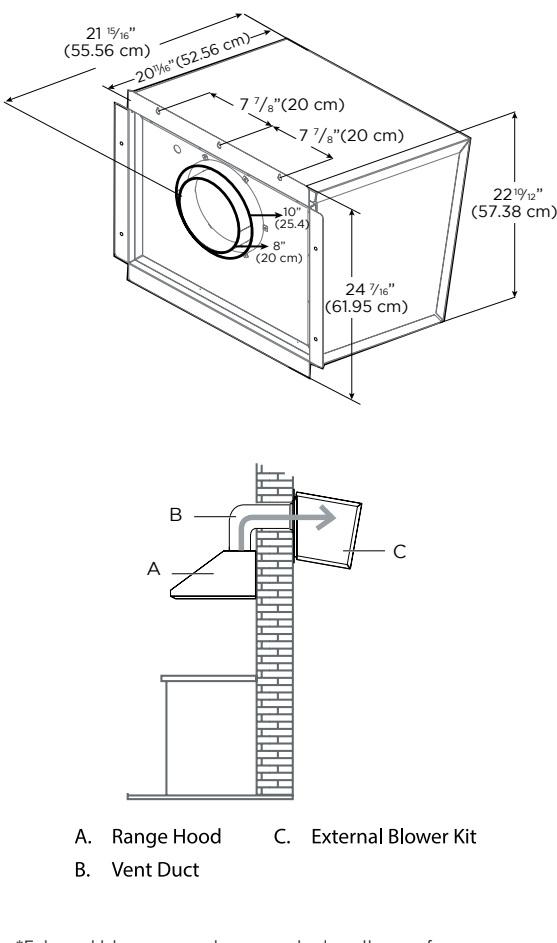


IN LINE & EXTERNAL BLOWER

SPECIFICATIONS



	IN LINE BLOWER	EXTERNAL BLOWER
Kit Model:	KIT0154387	KIT0153054
Dimensions:	24 3/4" x 14 7/8" x 12 15/16"	21 15/16" x 24 7/16" x 22 10/16"
Installation Type:	Indoor installation	Outdoor installation
Apt model:	Calabria, Capri, Arezzo, Trento, Leone, Leone Island, Vavano, Vavano Island	
Duct Transition:	8"-10" round vent system	8"-10" round vent system
Material:	Steel	Stainless Steel
CFM:	1200	1200
Electrical connection:	120 V AC, 60 Hz. 15 or 20 A Branch Circuit	
Parts needed (not included):	*Ducts	*Ducts
Line Drawing:		 <p>A. Range Hood C. External Blower Kit B. Vent Duct</p> <p>*External blower can be mounted on the roof</p>

NOTE

- *Ducting not supplied.
- *Please note that the blower that comes with the hood must be removed to be replaced by any of these kits.
- *For any additional information please refer to the installation manual.

PARTS AND SERVICE WARRANTY

For the period of two (2) years from the date of the original purchase, Elica will provide free of charge, non consumable parts or components that failed due to manufacturing defects. During these two (2) years limited warranty, Elica will also provide free of charge, all labor and in-home service to replace any defective parts.