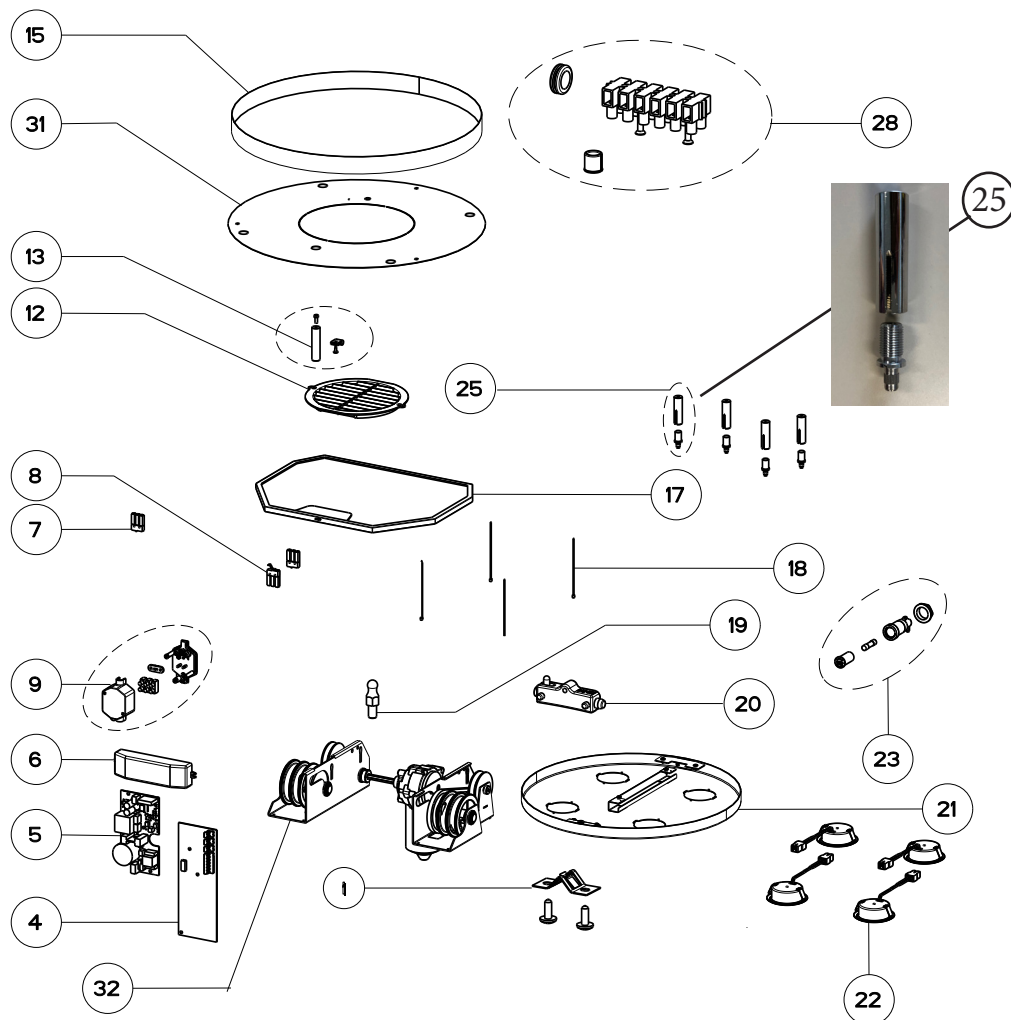


# ZOOM ISOLA (Serial Start 8,9 or A and forward)

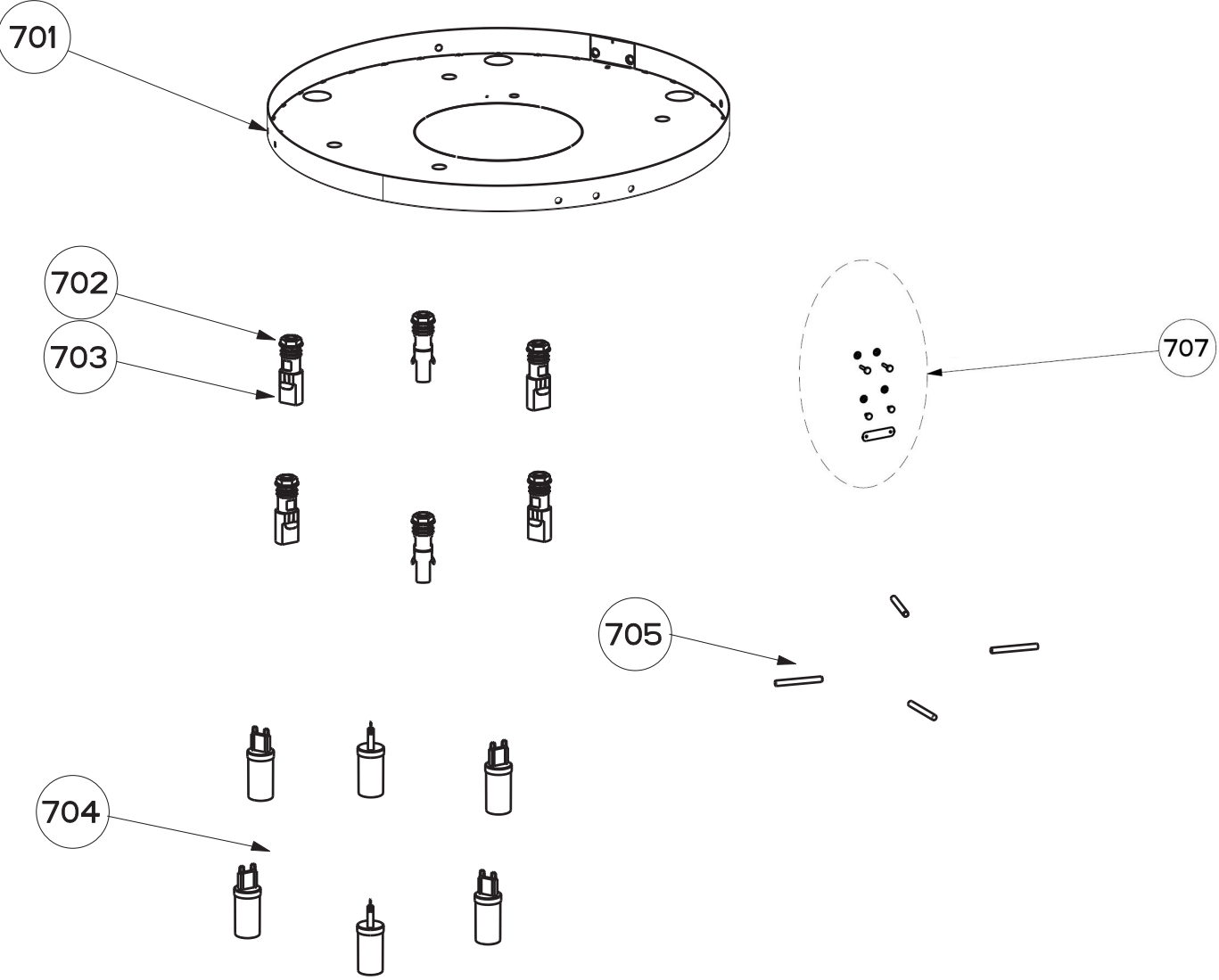
## body components



	Model Number	ZOOMIL16SS400	ZOOMIS16SS400-B	
Key	Description	16 Stainless	16 Stainless	Qty Req.
1	Panel Clip	133.0036.314	133.0036.314	
4	Control Board	133.0502.206	133.0502.206	1
5	Gear Motor	133.0433.328	133.0433.328	1
6	Transformer	133.0374.938	133.0374.938	1
7	Flat Arm Microswitch	133.0180.038	133.0180.038	2
8	Microswitch with Lever	133.0057.269	133.0057.269	1
9	Fuse Cover	133.0061.944	133.0061.944	1
12	Ductless Vent Grate	133.0539.624	133.0539.624	1
13	Stopper Pin	133.0439.784	133.0439.784	1
15	Stainless Trim Band	NA	133.0179.745	1
17	Grease Filter	133.0192.406	133.0192.406	1
18	Metal Hanging Cable	133.0179.817	133.0179.817	4
19	Hinge Pin Kit (2 in kit)	133.0017.004	133.0017.004	1
20	Panel Hinge	133.0017.597	133.0017.597	1
21	Light Panel Kit	133.0179.819	133.0179.819	1
22	LED Lights	133.0289.829	133.0289.829	4
23	Fuse Kit	133.0179.834	133.0179.834	1
25	Cable Hanging Kit	133.0439.783	133.0439.783	4
28	Terminal Plastic Board	133.0278.530	133.0278.530	1
31	Zoom IS Plate Cover	NA	133.0544.605	1
32	Gear Assembly	133.0260.469	133.0260.469	1

**ZOOM ISOLA (Serial Start 8,9 or A and forward)**

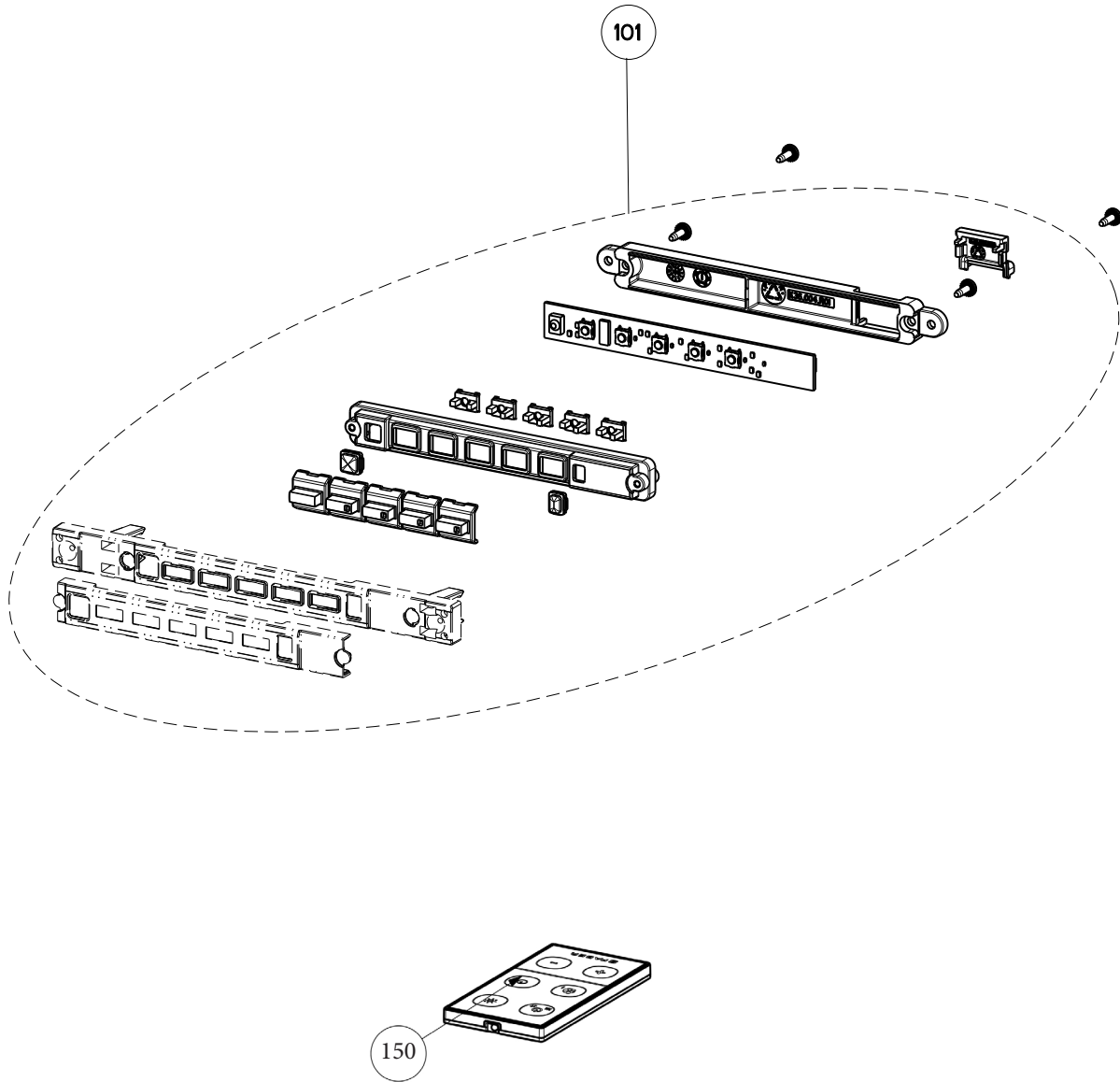
shade components



	Model Number	ZOOMIL16SS400	ZOOMIS16SS400-B	
Key	Description	16 Stainless	16 Stainless	Qty Req.
701	Zoom IL Plate Cover	133.0544.606	NA	1
702	Lamp Holder Connector	133.0545.113	NA	6
703	Lamp Holder Housing	133.0545.114	NA	6
704	LED Lamp (Ceiling Fixture)	133.0545.115	NA	6
705	Oceana Fixing Pin (FOR STAINLESS SHADE)	133.0545.116	NA	4
707	Vanilla Hardware Kit (FOR WHITE SHADE)	133.0180.297		3

# ZOOM ISOLA (Serial Start 8,9 or A and forward)

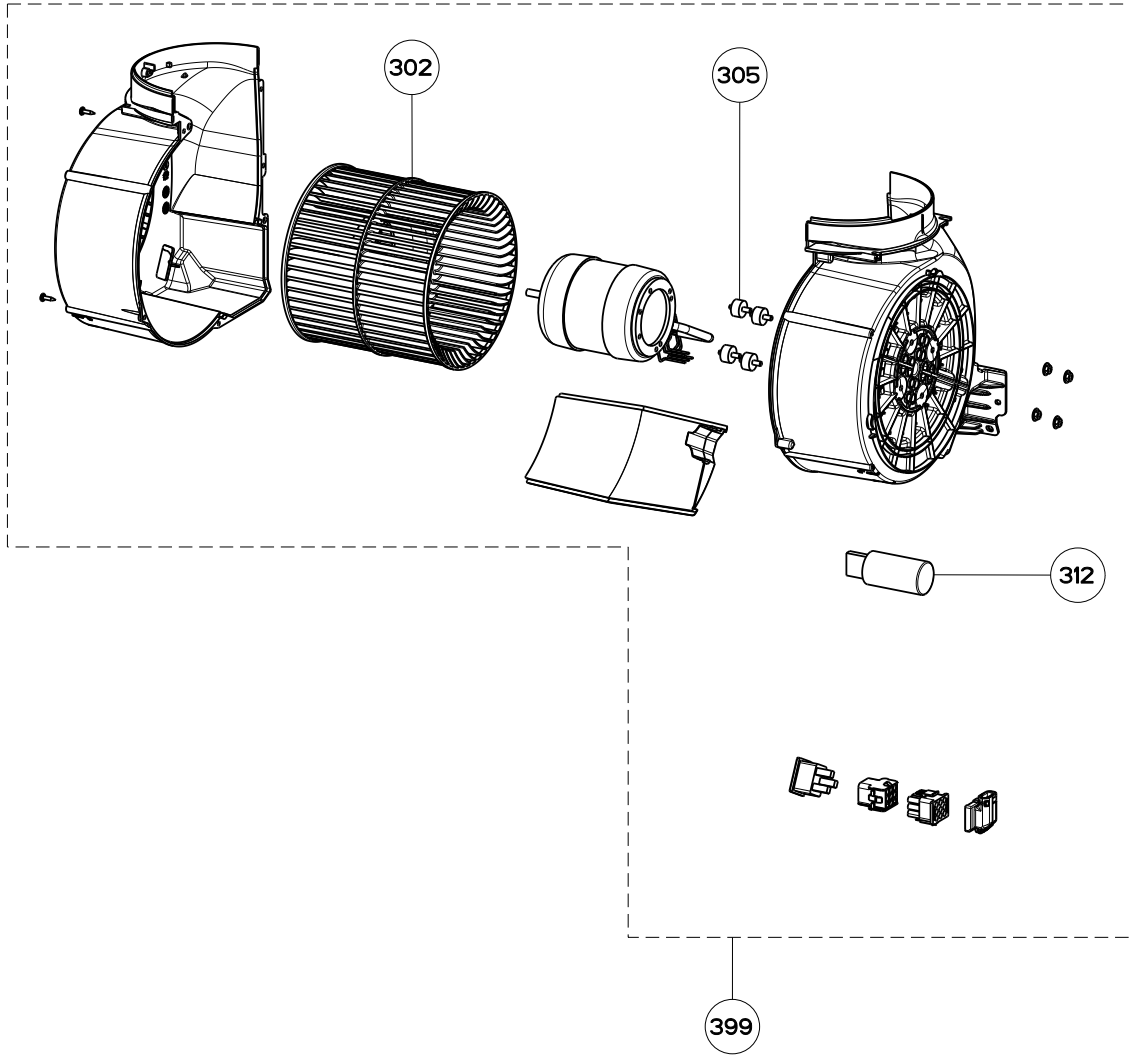
switch / control components



	Model Number	ZOOMIL16SS400	ZOOMIS16SS400-B	
Key	Description	16 Stainless	16 Stainless	Qty Req.
101	Switch Control Kit	133.0387.607	133.0387.607	1
150	Remote Control	REMCTRL2	REMCTRL2	1

# ZOOM ISOLA (Serial Start 8,9 or A and forward)

motor components



	Model Number	ZOOMIL16SS400	ZOOMIS16SS400-B	
Key	Description	16 Stainless	16 Stainless	Qty Req.
302	Impeller	133.0502.222	133.0502.222	1
305	Rubber Motor Mount Kit (2 in Kit)	133.0051.603	133.0051.603	1
312	Capacitor	133.0060.648	133.0060.648	1
399	Motor Group	133.0491.511	133.0491.511	1