



# INSTALLATION INSTRUCTIONS

**30", 36" and 48"**  
**All Gas Professional Ranges**

ENGLISH/FRANÇAIS/ESPAÑOL.

# Safety Information

Have a question or need assistance with your appliance? Try the Monogram website 24 hours a day, any day of the year! You can also shop for more great Monogram products and take advantage of all our on-line support services designed for your convenience. In the US: [monogram.com](http://monogram.com)

## IN THE COMMONWEALTH OF MASSACHUSETTS

- This product must be installed by a licensed plumber or gas fitter.
- When using ball type gas shut-off valves, they shall be the T-handle type.
- A flexible gas connector, when used, must not exceed 5 feet.

## **⚠ WARNING** FIRE OR EXPLOSION HAZARD

If the information in this manual is not followed exactly, a fire or explosion may result causing property damage, personal injury or death.

Installation must be performed by a qualified installer.

Read these instructions completely and carefully.

Installation of this range must conform with local codes, or in the absence of local codes, with the National Fuel Gas Code, ANSI Z223.1/NFPA.54, latest edition. In Canada, installation must conform with the current Natural Gas Installation Code, CAN/CGA-B149.1 or the current Propane (LP) Installation Code, CAN/CGA-B149.2, and with local codes where applicable. This range has been design-certified by CSA International according to ANSI Z21.1, latest edition and Canadian Gas Association according to CAN/CGA-1.1 latest edition.

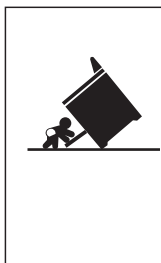
When installing a gas appliance the use of old flexible connectors can cause gas leaks and personal injury. Always use a NEW flexible connector.

Leak testing of the appliance shall be conducted according to the manufacturer instructions.

The range must be electrically grounded in accordance with local codes or, in the absence of local codes, in accordance with the National Electrical Code (ANSI/NFPA 70, latest edition). In Canada, electrical grounding must be in accordance with the current CSA C22.1 Canadian Electrical Code Part 1 and/or local codes. See Electrical Connections in this section.

Do not install this product with an air curtain hood or other range hood that operates by blowing air down on the cooktop. This airflow may interfere with operation of the gas burners resulting in fire or explosion hazard.

## FOR YOUR SAFETY

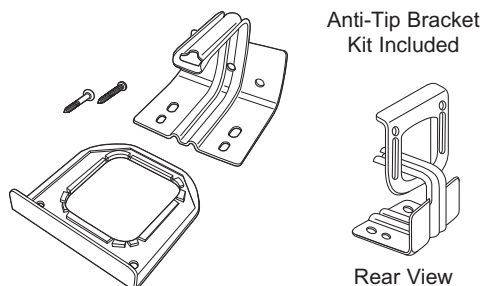


### **⚠ WARNING**

#### Tip-Over Hazard

- A child or adult can tip the range and be killed.
- Install the anti-tip bracket to the wall or floor.
- Engage the range to the anti-tip bracket by sliding the range back such that the foot is engaged.
- Re-engage the anti-tip bracket if the range is moved.
- Failure to do so can result in death or serious burns to children or adults.

If you did not receive an anti-tip bracket with your purchase, call 1.800.626.8774 to receive one at no cost. (In Canada, call 1.800.561.3344.) For installation instructions of the bracket, visit: [GEAppliances.com](http://GEAppliances.com). (In Canada, [GEAppliances.ca](http://GEAppliances.ca).)



### **⚠ WARNING**

Before beginning the installation, switch power off at service panel and lock the service disconnecting means to prevent power from being switched on accidentally. When the service disconnecting means cannot be locked, securely fasten a prominent warning device, such as a tag, to the service panel.

# READ AND SAVE THESE INSTRUCTIONS

# Safety Information

## BEFORE YOU BEGIN

Read these instructions completely and carefully.

- **IMPORTANT** — Save these instructions for local inspector's use.
- **IMPORTANT** — Observe all governing codes and ordinances.
- **IMPORTANT** — Remove all packing material and literature from oven before connecting gas and electrical supply to range.
- **IMPORTANT** — To avoid damage to your cabinets, check with your builder or cabinet supplier to make sure that the materials used will not discolor, delaminate or sustain other damage. This oven has been designed in accordance with the requirements of UL and CSA International and complies with the maximum allowable wood cabinet temperatures of 194°F (90°C).
- **Note to Installer** — Be sure to leave these instructions with the consumer.
- **Note to Consumer** — Keep these instructions with your Owner's Manual for future reference.
- **Service** — The electrical diagram is in an envelope attached to the back of the range.
- Proper installation is the responsibility of the installer.
- Product failure due to improper installation is not covered under warranty.
- Before installing your range on linoleum or any other synthetic floor covering, make sure the floor covering can withstand 180°F without shrinking, warping or discoloring. Do not install the range over carpeting unless a sheet of 1/4" thick plywood or similar insulator is placed between the range and carpeting.
- For Monogram Parts and Accessories, visit our website at [monogram.com/ownership/parts/](http://monogram.com/ownership/parts/)
- If you received a damaged range, you should contact your dealer.

## IF SOLD OUTSIDE THE U.S. AND CANADA

**▲ WARNING** If you wish to use this product with Liquefied Petroleum (LP) gas containing greater than 10% butane, you must purchase the HA Propane conversion accessory kit #ZXBUPR01. To order, please call 1.888.664.8403 or 1.787.276.4051. Failure to do so may result in carbon monoxide or fire hazard.

## VENT HOOD COMBINATIONS

A suitable overhead vent hood is required for models with a grill and is recommended for all other models.

Due to the high heat capacity of this unit, particular attention should be paid to the hood and ductwork installation to assure it meets local building codes.

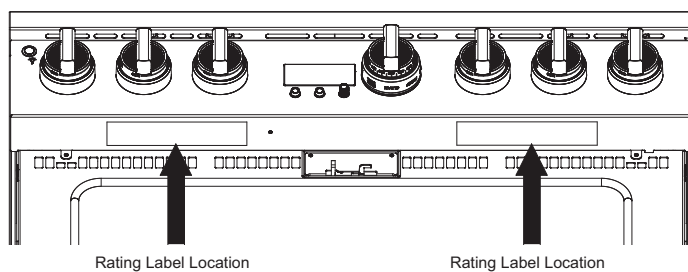
Clearances to horizontal surfaces above the range, measured to the cooking surface are below. Failure to comply may result in fire hazard.

- Installations without a hood require 48" minimum to combustibles except model ZGP486 where a suitable vent hood is required.
- A custom hood installation with exposed horizontal combustibles surfaces must have an Auto-On feature.
- For other installations with a hood, refer to hood installation instructions for specific hood clearances.

**▲ CAUTION** These ranges weigh up to 700 pounds. Some disassembly will reduce the weight considerably. Due to the weight and size of the range and to reduce the risk of personal injury or damage to the product:

TWO PEOPLE ARE REQUIRED FOR PROPER INSTALLATION OF 36" AND 30" RANGES.

THREE PEOPLE ARE REQUIRED FOR PROPER INSTALLATION OF 48" RANGES.



## READ AND SAVE THESE INSTRUCTIONS

# Contents

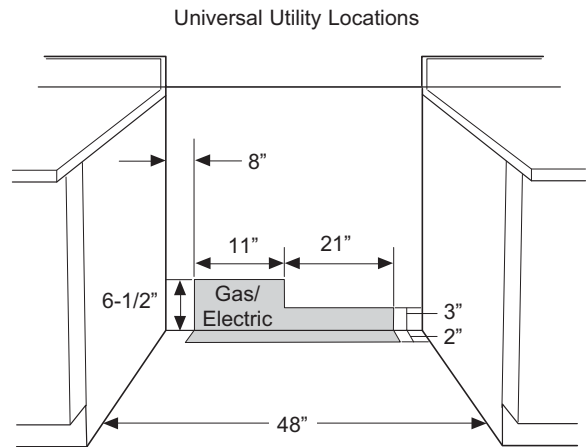
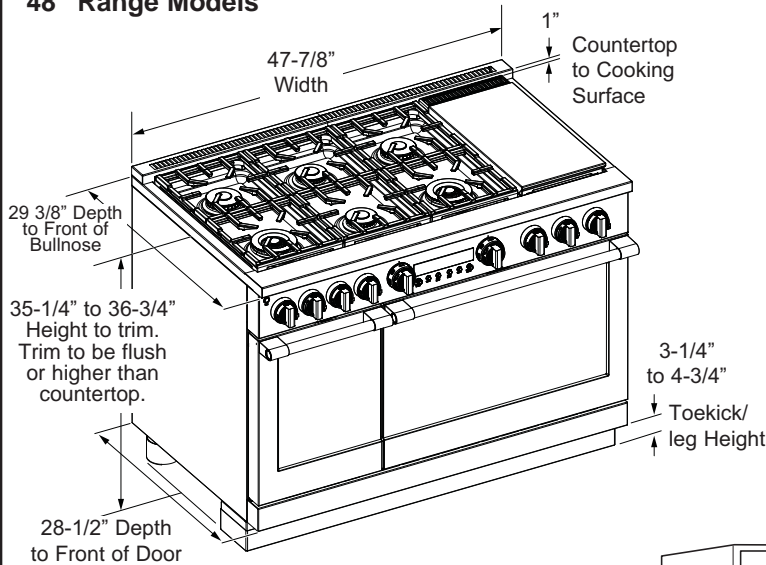
## CONTENTS

<b>Safety Information</b> .....	2	Converting to Propane (LP) Gas or Converting Back to Natural Gas From Propane (LP).....	13
<b>Design Information</b>		Gas Supply.....	13
Product Dimensions and Clearances.....	5	Electrical Connections.....	14
<b>Installation Information</b>		Roll Range into Position.....	14
High Altitude Kit.....	9	Level the Range.....	15
Materials Provided.....	9	Replace Oven Door(s).....	15
Materials Required (not provided).....	9	Check Burners.....	16
Tools Required.....	9	Check Surface Burners.....	16
<b>Installation</b>		Finalize Installation.....	16
Remove Packaging.....	10	When All Hookups Are Completed.....	16
Move the Range Indoors.....	11	<b>Accessory Installation</b>	
Install Anti-Tip Device.....	12	Toekick (included).....	17

# Design Information

## PRODUCT DIMENSIONS AND CLEARANCES

### 48" Range Models



### ⚠ WARNING

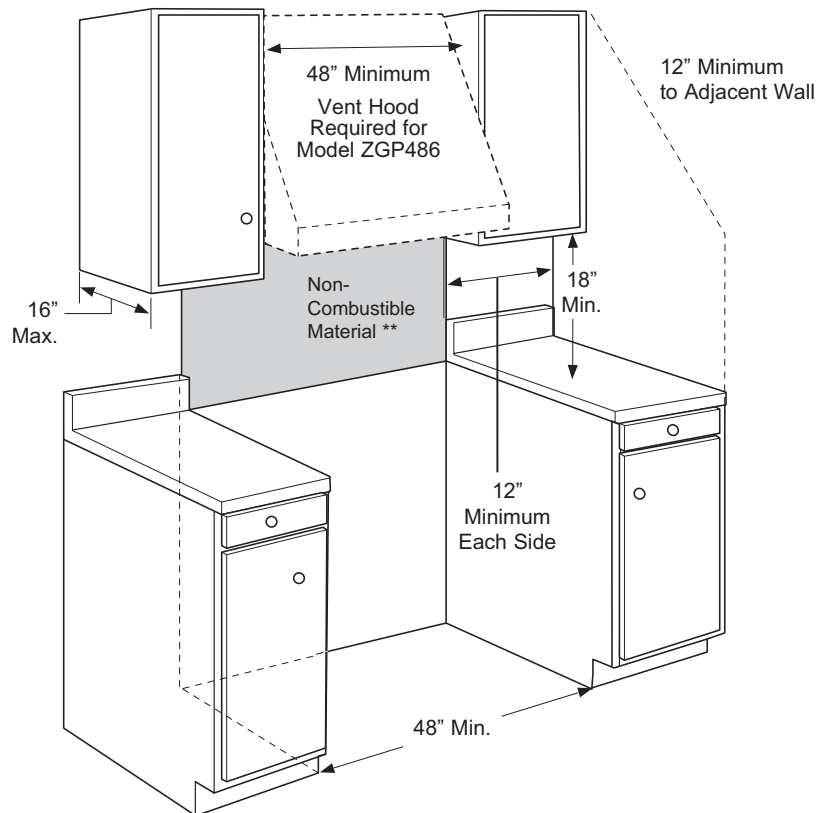
A suitable overhead vent hood is required for model ZGP486. A custom hood installation with exposed horizontal combustible surfaces must have an Auto-On feature. Refer to hood installation instructions for specific hood clearances.

The surface of the entire back wall above the range and below the hood must be covered with a non-combustible material such as metal, ceramic tile, brick, marble or other stone.

### ⚠ CAUTION

To prevent drafts from affecting burner operation, seal all openings in floor under appliance and behind appliance wall.

\*\* As defined in the National Fuel Gas Code (ANSI Z223.1/CSA B149.1, Current Edition). Clearances from non-combustible materials are not part of the ANSI Z21.1/CSA 1.1 scope and are not certified by CSA. Clearances less than 12" must be approved by local codes and/or the authority having jurisdiction.

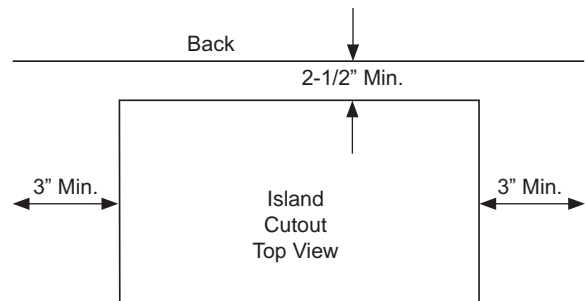


### ADDITIONAL CLEARANCES:

Allow 12" minimum clearance to an adjacent wall on each side.

Working areas adjacent to the rangetop should have 18" minimum clearance between countertop and the bottom of the wall cabinet.

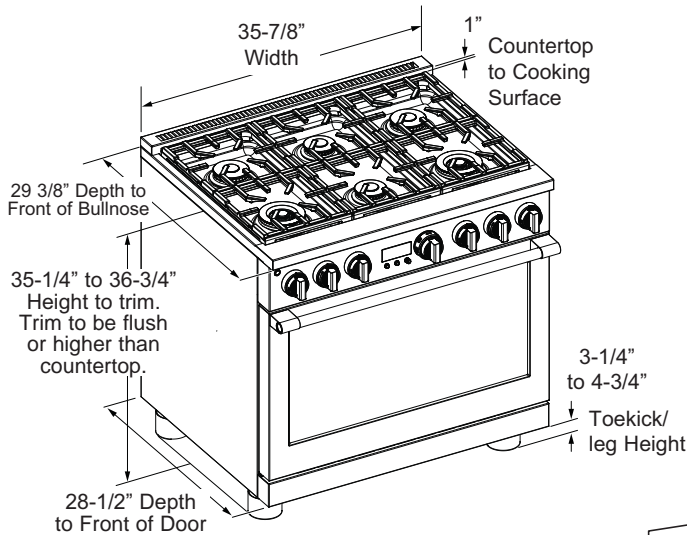
For island installation, maintain 2-1/2 in. minimum from cutout to back edge of countertop and 3 in. minimum from cutout to side edges of countertop (see top view).



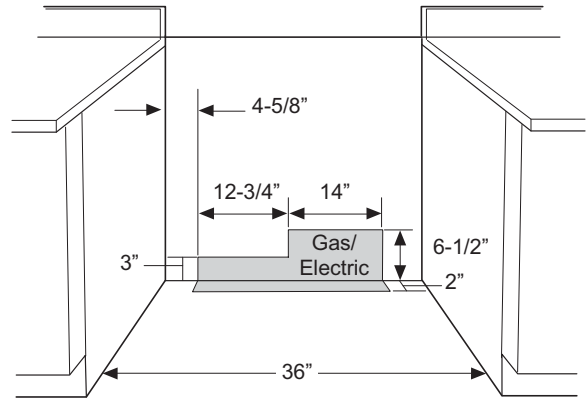
# Design Information

## PRODUCT DIMENSIONS AND CLEARANCES

### 36" Range Models



Universal Utility Locations

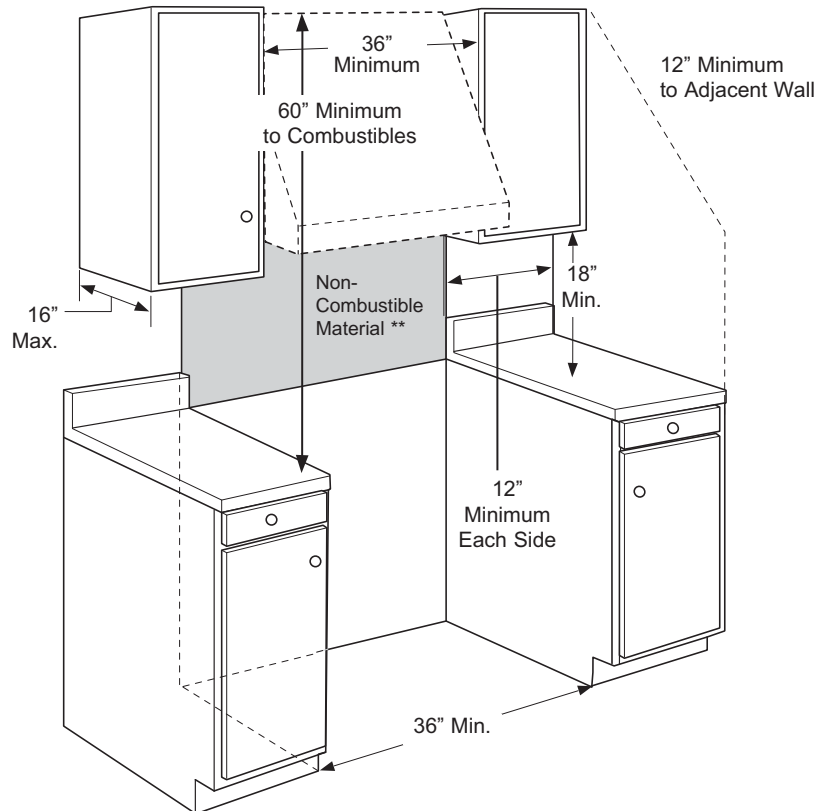


**⚠ WARNING** Installations without a hood require 60" minimum to combustibles. A custom hood installation with exposed horizontal combustible surfaces must have an Auto-On feature. Refer to hood installation instructions for specific hood clearances.

The surface of the entire back wall above the range and below the hood must be covered with a non-combustible material such as metal, ceramic tile, brick, marble or other stone.

**⚠ CAUTION** To prevent drafts from affecting burner operation, seal all openings in floor under appliance and behind appliance wall.

\*\* As defined in the National Fuel Gas Code (ANSI Z223.1/CSA B149.1, Current Edition). Clearances from non-combustible materials are not part of the ANSI Z21.1/CSA 1.1 scope and are not certified by CSA. Clearances less than 12" must be approved by local codes and/or the authority having jurisdiction.

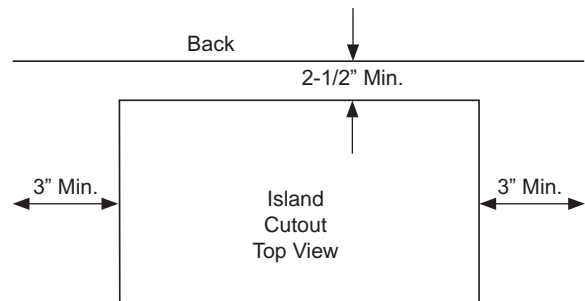


### ADDITIONAL CLEARANCES:

Allow 12" minimum clearance to an adjacent wall on each side.

Working areas adjacent to the rangetop should have 18" minimum clearance between countertop and the bottom of the wall cabinet.

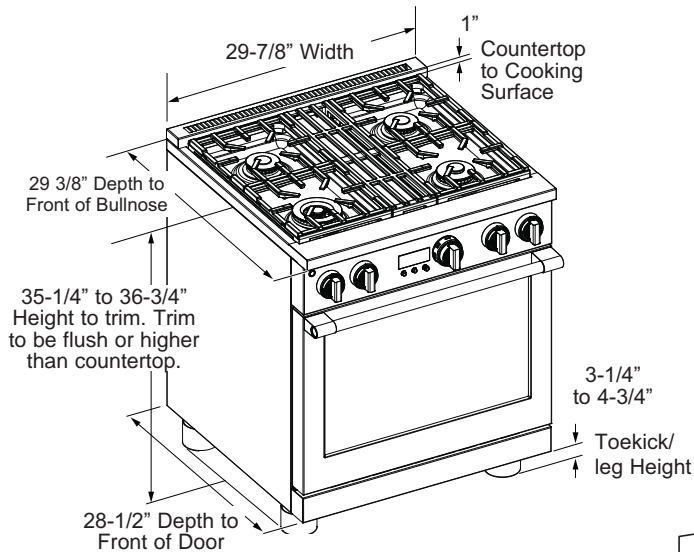
For island installation, maintain 2-1/2 in. minimum from cutout to back edge of countertop and 3 in. minimum from cutout to side edges of countertop (see top view).



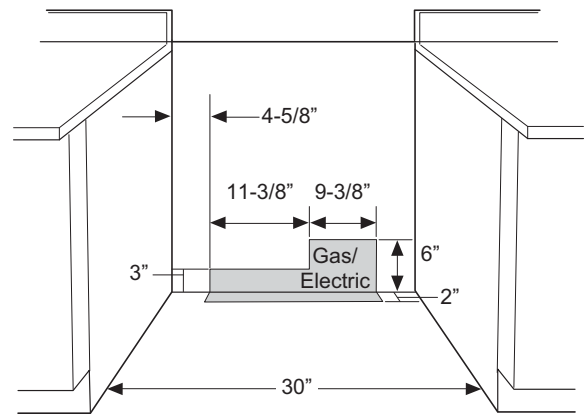
# Design Information

## PRODUCT DIMENSIONS AND CLEARANCES

### 30" Wide Range Models



Universal Utility Locations



### ⚠ WARNING

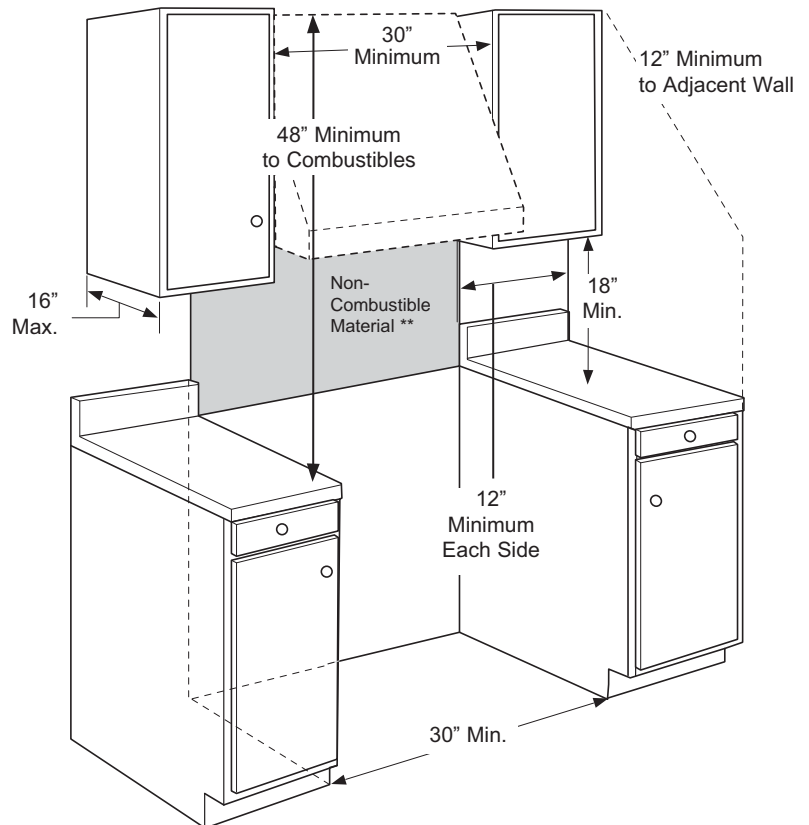
Installations without a hood require 48" minimum to combustibles. A custom hood installation with exposed horizontal combustible surfaces must have an Auto-On feature. Refer to hood installation instructions for specific hood clearances.

The surface of the entire back wall above the range and below the hood must be covered with a non-combustible material such as metal, ceramic tile, brick, marble or other stone.

### ⚠ CAUTION

To prevent drafts from affecting burner operation, seal all openings in floor under appliance and behind appliance wall.

\*\* As defined in the National Fuel Gas Code (ANSI Z223.1/CSA B149.1, Current Edition). Clearances from non-combustible materials are not part of the ANSI Z21.1/CSA 1.1 scope and are not certified by CSA. Clearances less than 12" must be approved by local codes and/or the authority having jurisdiction.

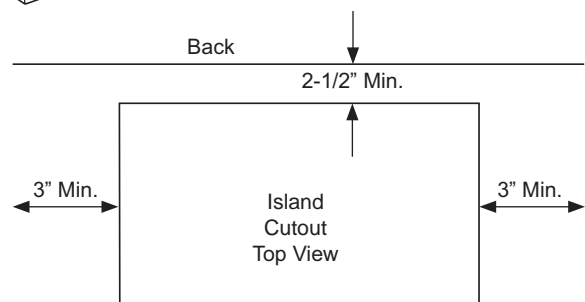


### ADDITIONAL CLEARANCES:

Allow 12" minimum clearance to an adjacent wall on each side.

Working areas adjacent to the rangetop should have 18" minimum clearance between countertop and the bottom of the wall cabinet.

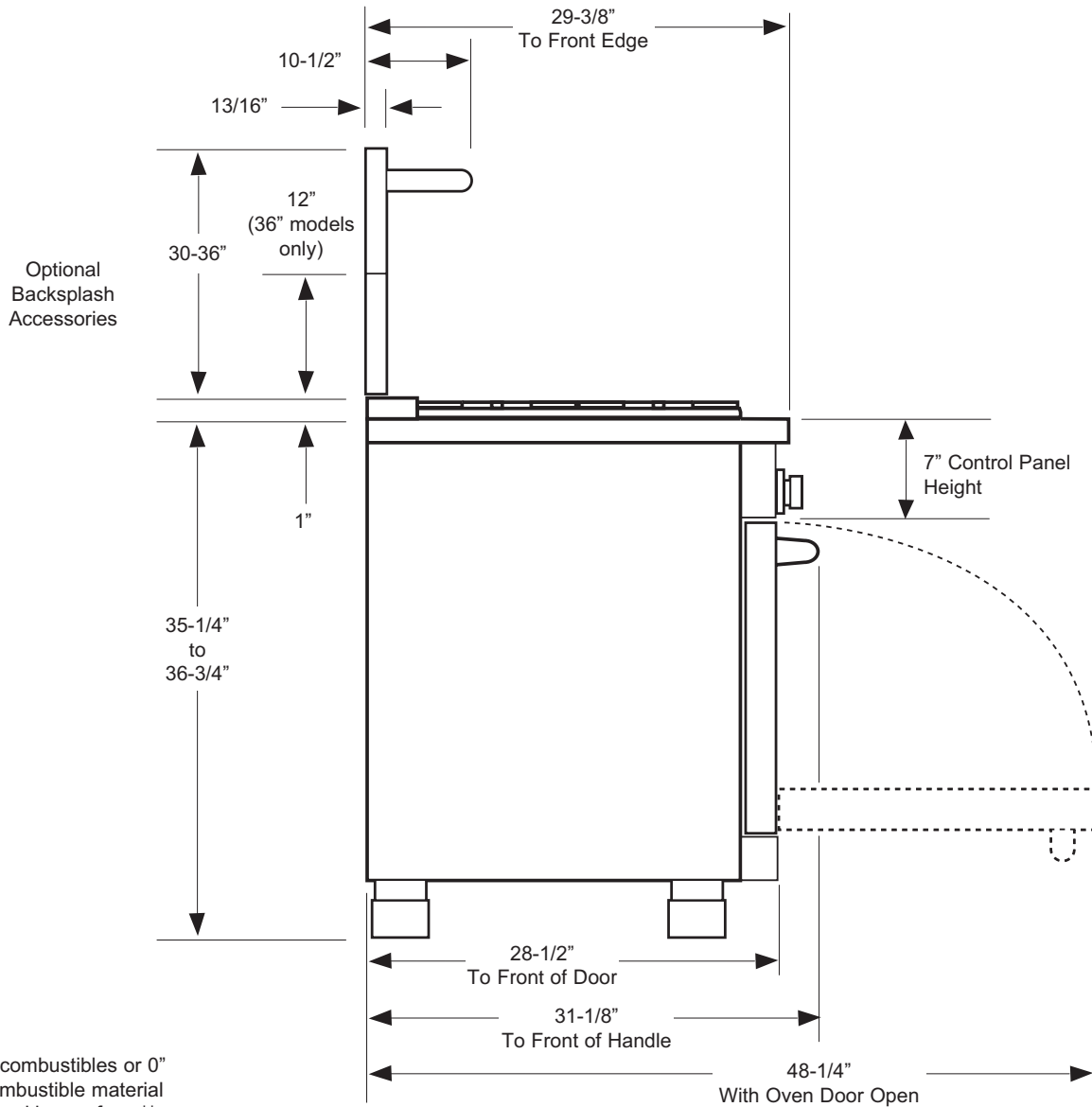
For island installation, maintain 2-1/2 in. minimum from cutout to back edge of countertop and 3 in. minimum from cutout to side edges of countertop (see top view).



# Design Information

## PRODUCT DIMENSIONS AND CLEARANCES

48", 36" and 30" Range Models

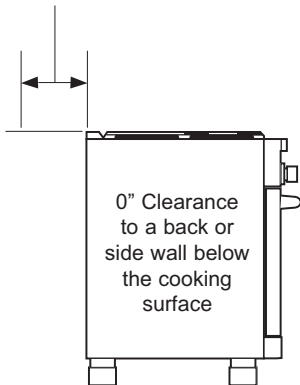


\*\* As defined in the National Fuel Gas Code (ANSI Z223.1/CSA B149.1, Current Edition). Clearances from non-combustible materials are not part of the ANSI Z21.1/CSA 1.1 scope and are not certified by CSA. Clearances less than 12" must be approved by local codes and/or the authority having jurisdiction.

### **WARNING**

The 12" high stainless steel backsplash accessory must be installed in combination with a custom non-combustible backsplash. The finished backsplash must cover the entire back wall up to the bottom of a hood, or when there is no hood, 48" to combustibles.

(12" high stainless steel backsplash accessory is only available for the 36" model)



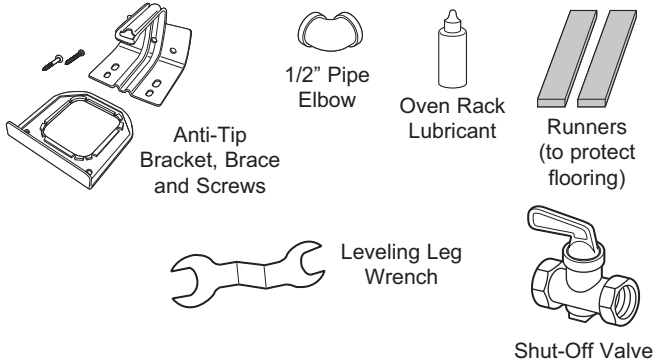


# Installation Information

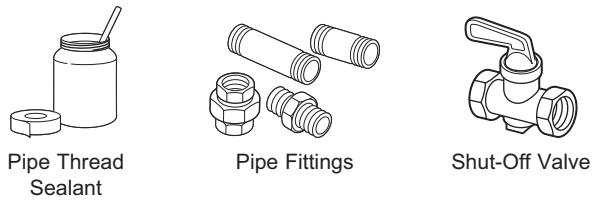
## INSTALLATION AT HIGH ALTITUDE

Over 6000ft, product configured for natural gas or propane requires installation of kit (WB28X39726 for natural gas and WB28X39727 for propane gas). Follow the instructions included with the kit.

## MATERIALS PROVIDED



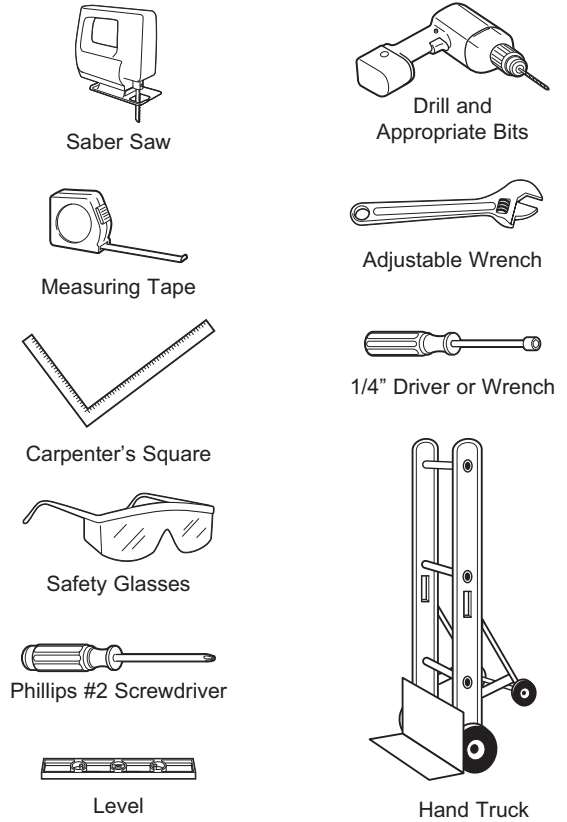
## MATERIALS REQUIRED (not provided)



5-foot maximum length, 5/8" O.D. CSA-approved flexible metal gas supply

**NOTE:** Purchase new flexible line; do not use previously used flexible gas line.

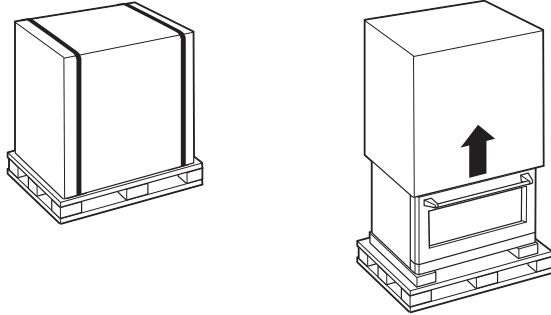
## TOOLS REQUIRED



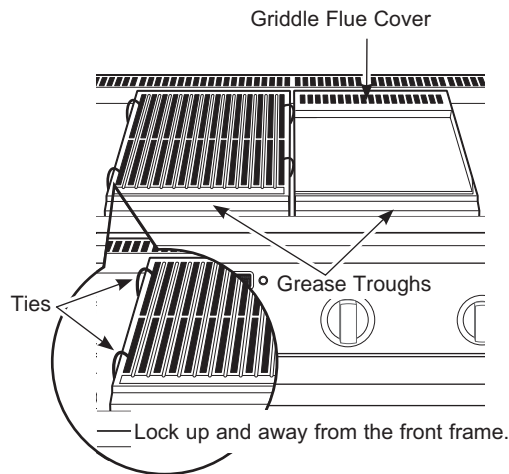
# Installation

## 1 REMOVE PACKAGING

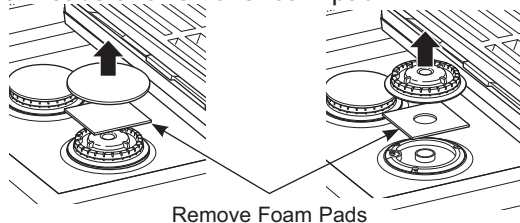
**CAUTION** Stand clear. The ends of the cut metal banding may snap toward you.



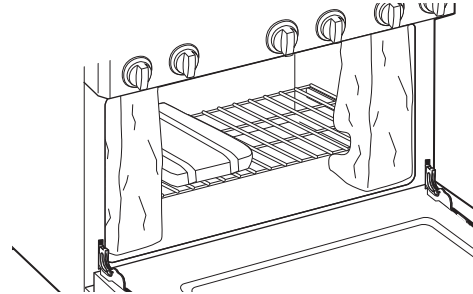
- Cut the metal banding. Lift the carton straight up.
- Locate the two runner strips from the top of the packaging. These strips will be used to protect the kitchen floor during installation.
- Remove corner posts. Dispose of packaging materials.
- Remove grill/griddle covers, grill grate and burner grates.
- Lift out cast-iron griddle flue cover, grease troughs and pads.
- Cut the ties holding the grill grate to the grill frame.



- Lift off burner caps and remove foam pad, then lift off burner heads and remove foam pad.

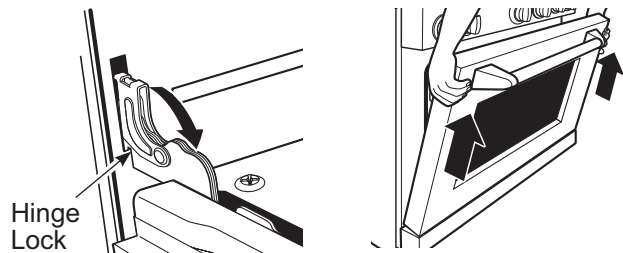


- Open oven door(s) and remove packaging. Remove shelf holding broiler pan, tape, literature package, shelf lubricant and probe.



**CAUTION** Doors and passageways leading to the installation location require at least 32" opening. If the opening is less than 32", the oven door(s) and control knobs must be removed.

REMOVE THE OVEN DOOR(S) ONLY IF NECESSARY to move the range through the doorways. To prevent damage to the sides of the range, it will be necessary to pad the corners beneath the straps on the hand-truck.



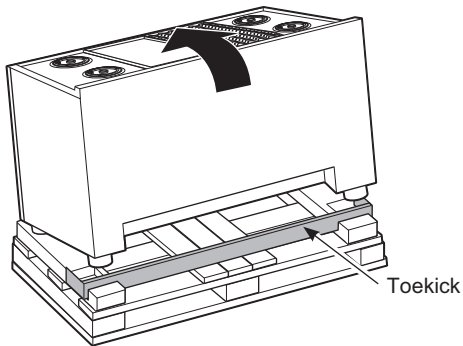
### To remove the oven door(s):

- To remove the oven door(s):
- Fully open the door.
- Each hinge has a hinge lock. Pull the hinge.
- Firmly grasp the door at the top sides.
- Close the door to the near-vertical position.
- Lift the door up and pull straight out.

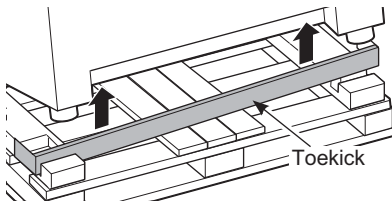
# Installation

## 2 MOVE THE RANGE INDOORS

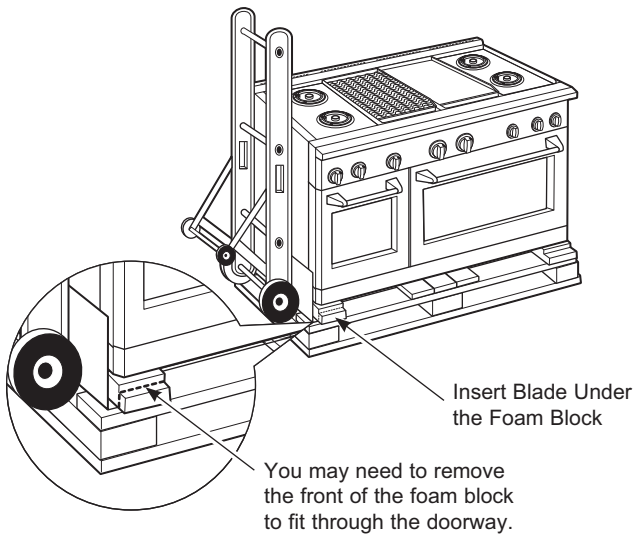
1. Tilt the range forward on the skid.



2. Lift the toekick out of the foam base.



3. Drive the blade of the hand-truck beneath the foam block.

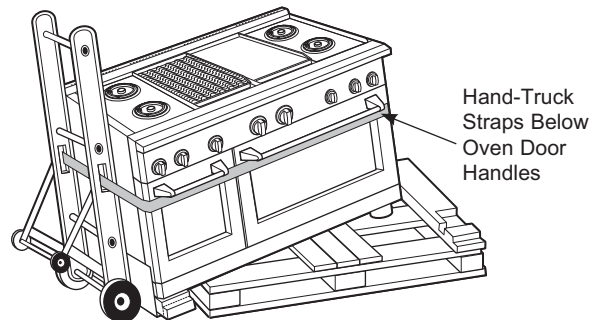


**IMPORTANT:** Do not remove the base foam block while the hand-truck is in use. Place the hand-truck blade underneath the base foam block and transport the range to the final location.

4. Attach the hand-truck straps around the unit.

**IMPORTANT:** Place the hand-truck straps below the oven door handles. To avoid damaging the side panels, place a pad between the hand-truck and the range.

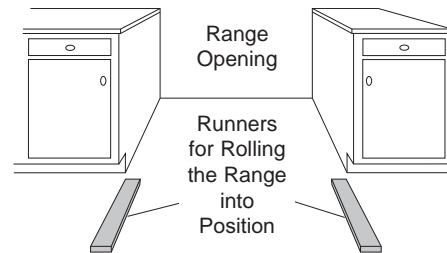
5. Tilt the range to lower the hand-truck wheels off the skid.



6. Place the appliance runners on the floor at the left and right sides in front of the opening.

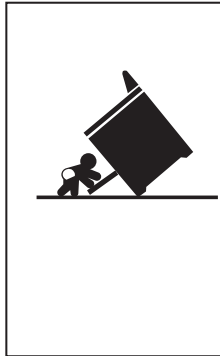
**IMPORTANT:** The runners provide a surface for rolling the range into the final position and will protect the floor finish. The runners must be removed before leveling the range.

7. Move the range indoors. Position the range in front of the installation location, onto the runners.



# Installation

## 3 INSTALL ANTI-TIP DEVICE



### ⚠ WARNING

#### Tip-Over Hazard

- A child or adult can tip the range and be killed.
- Install the anti-tip bracket to the wall or floor.
- Engage the range to the anti-tip bracket by sliding the range back such that the foot is engaged.
- Re-engage the anti-tip bracket if the range is moved.
- Failure to do so can result in death or serious burns to children or adults.

To reduce the risk of tipping the range, the range must be secured by a properly installed anti-tip bracket. See installation instructions shipped with the bracket for complete details before attempting to install.

To check if the bracket is installed and engaged properly, look underneath the range. The anti-tip bracket should be inserted into the opening on the anti-tip brace on the range. If the bracket arm misses the brace to the left or right, or the bracket arm is not protruding through the brace opening, the bracket must be reinstalled.

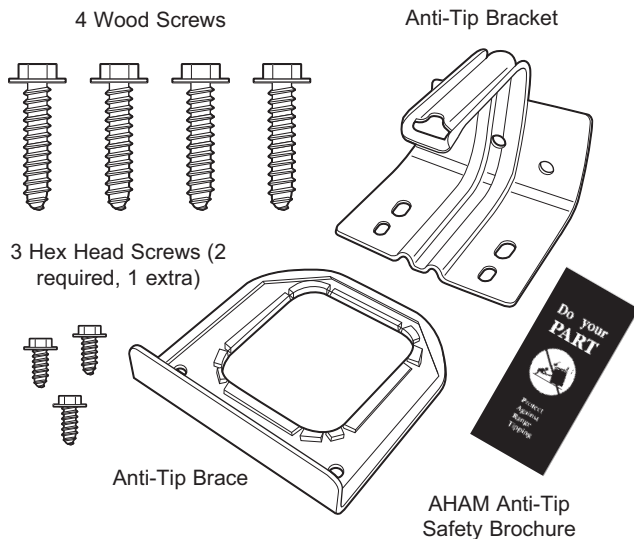
If the range is pulled from the wall for any reason, always repeat this procedure to verify the range is properly secured by the anti-tip bracket.

If your range has no anti-tip bracket, call 1.800.626.8774 to receive one at no cost.

If the anti-tip device supplied with the range does not fit this application, use the universal Anti-Tip Device WB2X7909.

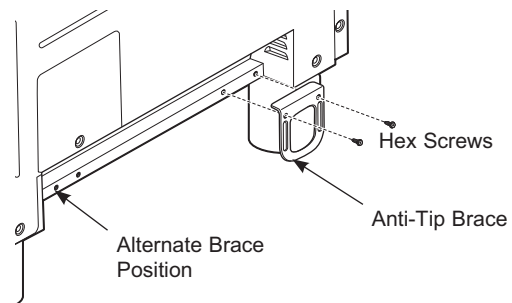
Read the AHAM Anti-Tip Safety Brochure packed with the bracket.

### Anti-Tip Parts Provided



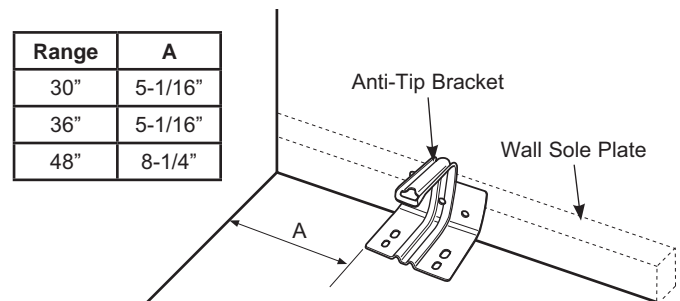
- Attach the anti-tip brace onto the bottom of the range in the recessed area. Install 2 hex screws (provided) through the brace and into the range.

**NOTE:** This anti-tip device may be installed on the opposite side of the range.



- Measure and mark Dimension A (see table below) from the left (or right) side of the installation location. If the countertop has an overhang, add that dimension to Dimension A.
- Place the anti-tip bracket against the floor and back wall at the marked location. Mark screw holes for fastening the bracket to the wall sole plate and the floor.
- Drill 1/8" pilot holes at a 20° angle.
- Secure the bracket to the wall and/or floor with at least 2 wood screws (provided).

**For Concrete or Cement Construction:** You must use appropriate fastening hardware (not provided).



Range	A
30"	5-1/16"
36"	5-1/16"
48"	8-1/4"

# Installation

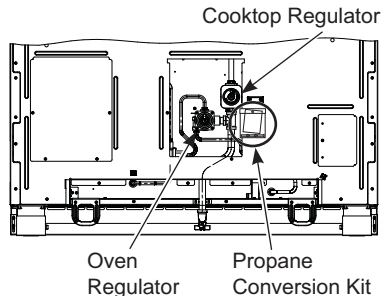
## 4 CONVERTING TO PROPANE (LP) GAS OR CONVERTING BACK TO NATURAL GAS FROM PROPANE (LP)

This range leaves the factory set for use with natural gas. If you want to convert to propane (LP) gas, the conversion must be performed by a qualified propane (LP) gas installer.

The conversion orifices and instructions can be found on back of the range.

Keep these instructions and all orifices in case you want to convert back to natural gas.

**NOTE:** Location varies by model.



## 5 GAS SUPPLY

**▲WARNING** Fire Hazard: Do not use a flame to check for gas leaks.

**▲WARNING** Explosion Hazard: Do not exceed 25 ft-lbs of torque when making gas line connections. Overtightening may damage the pressure regulator resulting in fire or explosion hazard.

### Gas Pressure Regulator

You must use the gas pressure regulator supplied with this range. For proper operations the inlet pressure to the regulator should be as follows:

#### Natural Gas:

Minimum pressure: 6" of Water Column

Maximum pressure: 13" of Water Column

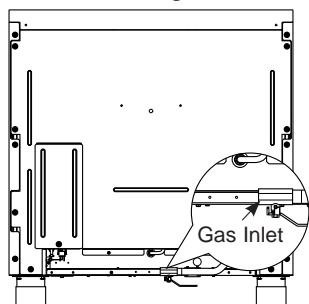
#### Propane (LP) Gas:

Minimum pressure: 11" of Water Column

Maximum pressure: 13" of Water Column

If you are not sure about the inlet pressure contact local gas supplier.

**NOTE:** A gas shutoff valve is shipped with this range and should be installed at the rear of the range near the floor with the handle facing downward. This shutoff valve is to be used in the event that service is required. To access the shutoff valve, remove the toe-kick panel and reach under the range. An optional 1/2" elbow is provided for connection to the range gas inlet.



## 5 GAS SUPPLY (cont.)

Shut off the main gas supply valve before disconnecting the old range and leave it off until the new hook-up has been completed. Don't forget to relight the pilot on other gas appliances when you turn the gas back on.

Because hard piping restricts movement of the range, the use of a CSA International-certified flexible metal appliance connector is recommended unless local codes require a hard-piped connection.

If the hard piping method is used, you must carefully align the pipe; the range cannot be moved after the connection is made.

To prevent gas leaks, put pipe thread sealant on, or wrap pipe thread tape with Teflon\* around, all male (external) pipe threads.

- Install a manual shut-off valve in the gas line in an easily accessed location outside of the range. Make sure everyone operating the range knows where and how to shut off the gas supply to the range.
- Install male 1/2" flare union adapter to the 1/2" NPT internal thread at inlet of the shut-off valve on the range. Use a backup wrench on the shut-off valve to avoid damage.
- Install male 1/2" or 3/4" flare union adapter to the NPT internal thread of the house shut-off valve, taking care to back-up the shut-off valve to keep it from turning.
- Connect flexible metal appliance connector to the adapter on the range. Position range to permit connection at the house shut-off valve.
- When all connections have been made, make sure all range controls are in the off position and turn on the main gas supply valve. Use a liquid leak detector at all gas connections to check for leaks in the system.

When using pressures greater than 1/2 psig to pressure test the gas supply system of the residence, disconnect the range and individual shut-off valve from the gas supply piping. When using pressures of 1/2 psig or less to pressure test the gas supply system, simply isolate the range from the gas supply system by closing the individual shut-off valve.

When checking for proper operation of the regulator, the inlet pressure must be at least 1" greater than the operating (manifold) pressure as given on rating label of product.

\*Teflon: Registered trademark of DuPont

# Installation

## 6 ELECTRICAL CONNECTIONS

**⚠ WARNING** Shock Hazard: This appliance must be properly grounded. Failure to do so can result in electric shock.

Electrical Requirements - 120-volt, 60 Hertz, properly grounded dedicated circuit protected by a 15-amp or 20-amp circuit breaker or time delay fuse.

**NOTE:** Use of automatic, wireless, or wired external switches that shut off power to the appliance are not recommended for this product.

### Grounding

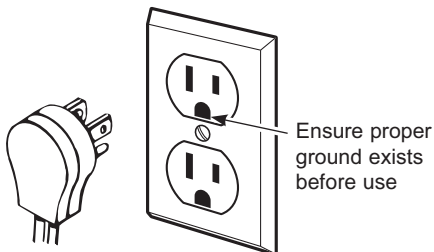
The power cord of this appliance is equipped with a three-prong (grounding) plug which plugs into a standard three-prong grounding wall receptacle to minimize the possibility of electric shock hazard from this appliance.

The customer should have the wall receptacle and circuit checked by a qualified electrician to make sure the receptacle is properly grounded.

Where a standard two-prong wall receptacle is encountered, it is the personal responsibility and obligation of the customer to have it replaced with a properly grounded three-prong wall receptacle.

**DO NOT, UNDER ANY CIRCUMSTANCES, CUT OR REMOVE THE THIRD (GROUND) PRONG FROM THE POWER CORD. DO NOT USE AN ADAPTER. DO NOT USE AN EXTENSION CORD.**

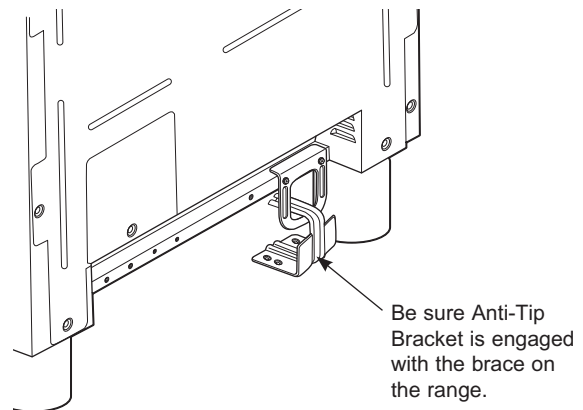
Ground Fault Circuit Interrupters (GFCI's) are not required or recommended for gas range receptacles. Performance of the range will not be affected if operated on a GFCI-protected circuit but occasional nuisance tripping of the GFCI breaker is possible.



## 7 ROLL RANGE INTO POSITION

**⚠ WARNING** The Anti-Tip Bracket must be properly installed to prevent tipping of the range. Failure to do so can cause serious damage or injury.

- Check to be sure the appliance runners are beneath the wheels.
- The range is shipped with the wheels in the down position. Carefully roll the range into position, being careful not to entangle or pinch the power cord and flexible gas tubing.
- Remove the runners beneath the range.



# Installation

## 8 LEVEL THE RANGE

### ▲WARNING

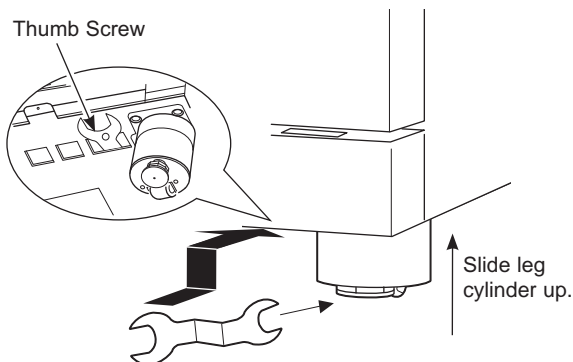
The range must be level and be supported by the legs—not the wheels. The range could move if the wheels make contact with the floor. Be sure all legs make contact with the floor in any installation.

- All legs must be leveled after the product is installed.
- Check to be sure the adjoining cabinets/countertops are level, front to back and left to right across the opening of the range.
- Measure the distance from the floor to the top of the countertop in the left and right rear corners.
- Adjust the height of the range to countertop height or higher.

**IMPORTANT:** This range should always be installed at countertop height or higher. **DO NOT INSTALL THE RANGE LOWER THAN ADJACENT COUNTERTOP HEIGHT.** The range must be supported by all 4 legs, regardless of countertop height.

### FRONT LEG ADJUSTMENT

- A leveling leg wrench is supplied. Reach under the front of the range near the right leg. Locate and remove a thumb screw, then slide wrench out of the slot.
- Slide front cylinders up to access front leveling legs. Be careful not to damage cylinder.



- Use the supplied wrench to adjust the front leveling legs. Turn clockwise to extend the legs to lift and stabilize the range. Turn counterclockwise to retract the legs and allow the range to rest on its rollers.
- Be sure to return the wrench to its storage slot for future use.

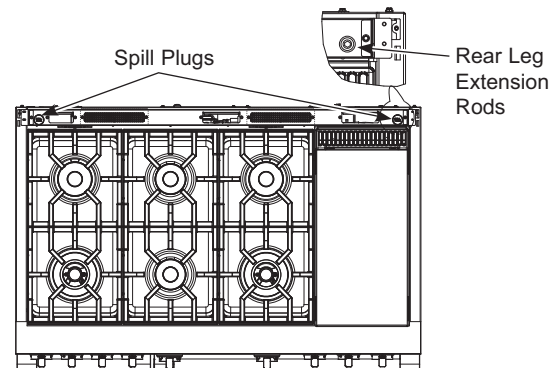
## 8 LEVEL THE RANGE (cont.)

### REAR LEG ADJUSTMENT

### ▲WARNING

To reduce the risk of fire or electric shock, always replace the spill plugs in the leveling rod holes.

- Remove two screws from rear vent trim. Slide vent trim forward, then lift up to remove.
- Remove the 2 spill plugs to locate the rear leg extension leveling rods. Use a 1/4" driver or socket wrench to adjust the left or right rear legs.
- Find the two rear leg extension rods. Use a 1/4" driver or wrench to adjust the left or right rear legs.
- Replace the 2 spill plugs and then replace the rear vent trim using the original screws.



## 9 REPLACE OVEN DOOR(S)

**Skip this step if oven doors are in place.**

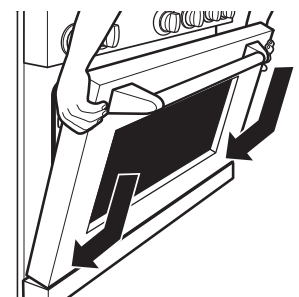
**IMPORTANT:** Do not lift the door by the handle.

**To replace the oven doors:**

- Firmly grasp the door **at the top sides. This is critical.**
- Approach the range with the door angled in a vertical position.
- Guide the hinges into the slots.
- Push the door in firmly while opening.
- Once in position, open the door completely. Push the hinge locks back in toward the front frame.

### ▲CAUTION

Take care when replacing the oven doors. If the hinge latch is not securely locked, the hinge may snap back and separate. If the hinge separates, you must apply pressure (possibly with your foot) to press it back together and then engage the hinge latch.

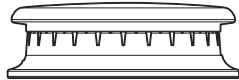


# Installation

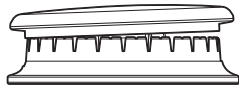
## 10 CHECK BURNERS

**⚠ WARNING** Fire or Explosion Hazard: Do not operate the burner without all burner parts in place.

- A. **Burners** - Place surface burners into corresponding positions on cooktop.
- B. **Caps** - Place caps on proper size burner.
- C. **Grates** - The left and right grates are interchangeable. Place the grates on the cooktop.



Burner Cap Properly Seated



Burner Cap Not Properly Seated

## 11 CHECK SURFACE BURNERS

Push and turn a knob to the LITE position. A clicking sound indicates proper operation of the ignition system. When lighting any burner, sparks will appear at all burners but gas flows from only the one selected. Once air is purged from the supply line, burner should light within 4 seconds. After burner lights, rotate the knob out of the LITE position. Try each burner in succession until all burners have been checked.

### Quality of Flames

Determine the quality of flames visually. Normal burner flames should look like (A) or (B).



(A) Soft blue flames—  
Normal for natural gas



(B) Yellow tips on  
outer cones—  
Normal for propane (LP) gas

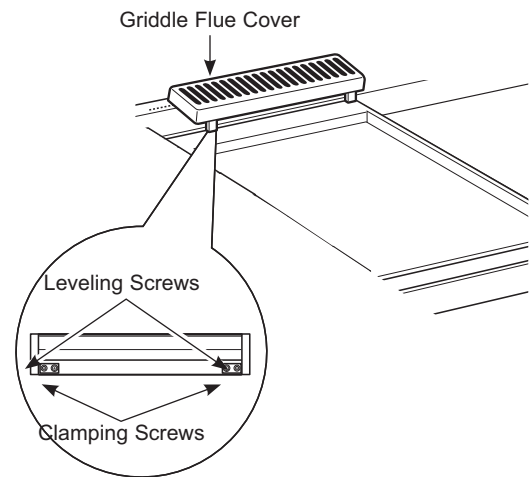
Long, bright yellow flames are not normal. Normal flames may show signs of an orange tint when well heated or signs of flickering orange due to particles in the gas or air.

## FINALIZE INSTALLATION

Place the burner grates over the burners. The grates should be seated and should not rock.

The griddle is secured with screws. It is designed to be stationary and should not be removed.

The griddle has two leveling screws beneath the rear flue cover that can be used to adjust to the desired slope.



The two inner screws are clamping screws for securing the griddle in place. Loosen these two screws before leveling. Do not remove these two screws.

The two outer screws are leveling screws. Do not remove these two screws. They can be turned to level the griddle or to provide a forward slope to help grease and oils drain away from the food being cooked.

After leveling the griddle, hand-tighten the clamping screws; do not over-tighten.

## WHEN ALL HOOKUPS ARE COMPLETED

Make sure all controls are left in the off position. Make sure the flow of combustion and ventilation air to the range is unobstructed.

Check that all packing materials and tape have been removed. This will include tape on metal panel under control knobs (if applicable), adhesive tape, wire ties, cardboard, and protective plastic. Failure to remove these materials could result in damage to the appliance once the appliance has been turned on and surfaces have heated.



# Accessory Installation

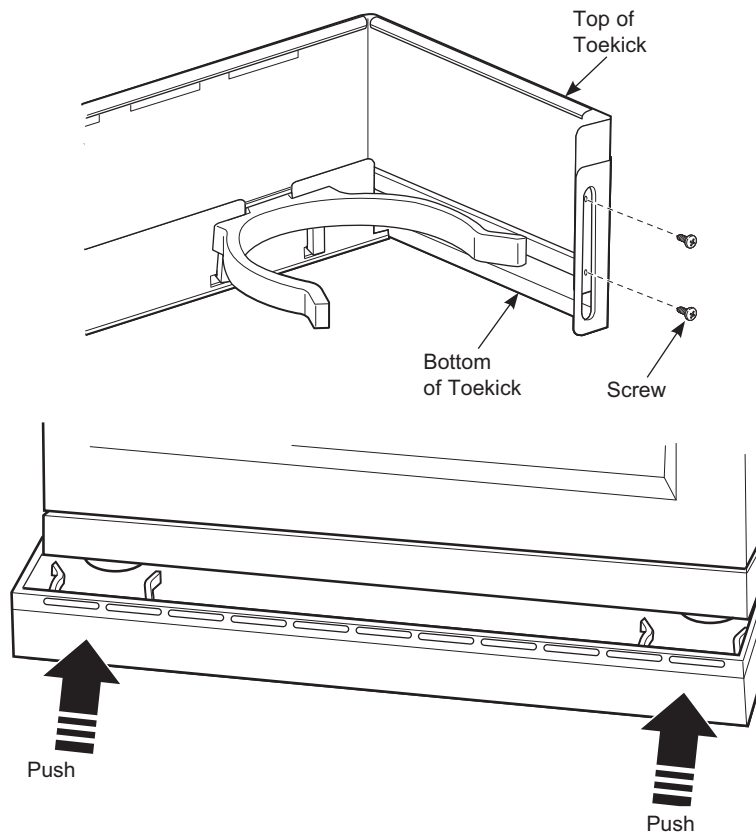
## TOEKICK (included)

- Install the toekick after the range has been leveled.
- Measure the distance between the floor and the bottom of range.
- The toekick has 1.5" of total height adjustment. To adjust, loosen the two screws on each end and slide the upper and lower pieces apart to 1/8" less than the measured height.

**NOTE:** The top screw may be removed for maximizing the height of the toekick

- Secure the top and bottom sections by tightening the 2 screws on each end.
- Push toekick against range leg until clip snaps to legs.

**NOTE:** Be sure the toekick snaps securely to the leg.



# Notes

---

# Notes

---

**NOTE:** While performing installations described in this book, safety glasses or goggles should be worn.

**NOTE:** Product improvement is a continuing endeavor at GE Appliances. Therefore, materials, appearance and specifications are subject to change without notice.



# INSTRUCTIONS D'INSTALLATION

**Pour toutes les cuisinières professionnelles au gaz  
de 30" (76 cm), 36" (91 cm) et de 48" (121 cm)**

FRANÇAIS

MONOGRAM.COM

# Consignes de Sécurité

Vous avez une question ou vous avez besoin d'aide pour votre appareil électroménager? Visitez le site Web Monogram 24 heures par jour, tous les jours de l'année! Vous pouvez aussi y trouver d'autres produits Monogram formidables et tirer avantage de tous nos services d'assistance en ligne. Aux États-Unis : [monogram.com](http://monogram.com)

## DANS LE COMMONWEALTH DU MASSACHUSETTS

- Ce produit doit être installé par un plombier ou un monteur d'installations au gaz agréés.
- Si l'on utilise des robinets de sectionnement du gaz à rotule, ils doivent comporter une poignée en « T ».
- Un raccord de gaz flexible, le cas échéant, ne doit pas excéder 1,5 m (5 pi).

## **⚠ AVERTISSEMENT** RISQUE D'INCENDIE OU D'EXPLOSION

Si les instructions contenues dans ce manuel ne sont pas observées rigoureusement, un incendie ou une explosion peuvent en résulter et causer des dommages à la propriété, des blessures corporelles ou la mort.

L'installation doit être effectuée par un installateur qualifié.

Lisez ces instructions au complet et attentivement.

L'installation de cette cuisinière doit se conformer aux codes locaux, ou en l'absence de codes locaux, conformément au National Fuel Gas Code, ANSI Z223.1/NFPA.54, dernière édition. Au Canada, l'installation doit se conformer au Code d'installation du gaz naturel actuel CAN/CGA-B149.1 ou au Code d'installation du propane (LP) CAN/CGA-B149.2, ainsi qu'à tous les codes locaux en vigueur. Cette cuisinière a été certifiée par CSA International selon la norme ANSI Z21.1, dernière édition, et par l'Association canadienne du gaz selon la norme CAN/CGA-1.1, dernière édition.

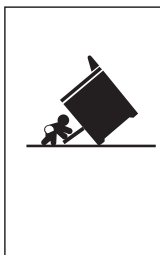
Lors de l'installation d'un appareil au gaz, l'utilisation de vieux raccords flexibles peut causer des fuites de gaz et des blessures. Utilisez toujours un raccord flexible NEUF.

La détection de fuites sur cet appareil doit être effectuée conformément aux instructions du fabricant.

La cuisinière doit être mise à la terre électriquement conformément aux codes locaux ou, en l'absence de codes locaux, conformément au National Electrical Code (ANSI/NFPA 70, dernière édition). Au Canada, la mise à la terre électrique doit se conformer à la norme CSA C22.1 de la Partie 1 du Code canadien de l'électricité actuel et/ou aux codes locaux. Consultez la rubrique Raccordements électriques dans cette section.

N'installez pas ce produit avec une hotte à rideau d'air ou d'autres hottes de cuisinière qui fonctionnent en soufflant de l'air vers le bas sur la table de cuisson. Ce flux d'air peut gêner le fonctionnement des brûleurs à gaz et poser un risque d'incendie ou d'explosion.

## POUR VOTRE SÉCURITÉ

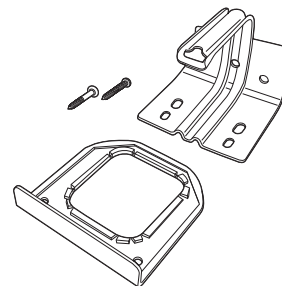


### **⚠ AVERTISSEMENT**

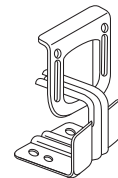
#### Risque de basculement

- Un enfant ou un adulte peut faire basculer la cuisinière et ainsi perdre la vie.
- Posez la ferrure antibasculement sur le mur ou le plancher.
- Remettez la cuisinière en place en la glissant de façon que son pied s'insère dans la ferrure antibasculement.
- Insérez le pied de nouveau si vous déplacez la cuisinière.
- L'omission d'observer ces consignes peut occasionner la mort ou des brûlures graves aux enfants ou aux adultes.

Si vous n'avez pas reçu une ferrure antibasculement avec votre achat, composez le 1.800.626.8774 pour en obtenir une gratuitement. (Au Canada, composez le 1.800.561.3344.) Pour des instructions d'installation de la ferrure, visitez : [GEAppliances.com](http://GEAppliances.com). (Au Canada, [GEAppliances.ca](http://GEAppliances.ca).)



Trousse de ferrure antibasculement incluse



Vue arrière

### **⚠ AVERTISSEMENT**

Avant de commencer l'installation, coupez l'alimentation électrique au panneau de service et verrouillez ce panneau de façon à empêcher le rétablissement accidentel du courant électrique. S'il est impossible de verrouiller le panneau de service, fixez solidement un avertissement bien visible, par exemple une étiquette, sur le panneau de service.

# LISEZ ET CONSERVEZ CES INSTRUCTIONS

# Consignes de Sécurité

## AVANT DE COMMENCER

Lisez attentivement l'ensemble des consignes.

- **IMPORTANT** — Conservez ces instructions pour l'inspecteur local.
- **IMPORTANT** — Respectez toutes les normes ainsi que les recommandations préconisées par les autorités compétentes.
- **IMPORTANT** — Retirez tout le matériel d'emballage et la documentation dans le four avant de raccorder les alimentations en gaz et électrique à la cuisinière.
- **IMPORTANT** — Pour éviter d'endommager vos armoires, vérifiez auprès de votre entrepreneur ou votre fournisseur d'armoires si les matériaux utilisés résisteront à la décoloration, la délamination et à d'autres dommages. La conception de ce four est conforme aux exigences des organismes de certification UL et CSA International et satisfait la température maximale admissible de 90 °C (194 °F) pour armoires en bois.
- **Remarque à l'attention de l'installateur** — BAssurez-vous de laisser ces instructions au consommateur.
- **Note au consommateur** — Gardez ces instructions avec votre manuel d'utilisation pour référence ultérieure.
- **Technicien en réparation** — Le schéma électrique se trouve dans une enveloppe attachée à l'arrière de la cuisinière.
- L'exactitude de l'installation relève de la responsabilité de l'installateur.
- La garantie ne couvre pas un produit défectueux en raison d'une installation incorrecte.
- Avant d'installer votre cuisinière sur du linoléum ou tout autre recouvrement de plancher synthétique, assurez-vous que le recouvrement peut supporter une température de 180 °F sans rétrécir, gauchir ou se décolorer. N'installez pas la cuisinière sur un tapis à moins de poser un contreplaqué de 1/4 po d'épaisseur ou un matériau isolant similaire entre la cuisinière et le tapis.
- Pour les pièces et accessoires Monogram, visitez notre site sur [monogram.com/ownership/parts/](http://monogram.com/ownership/parts/).
- Si vous recevez une cuisinière défective, veuillez contacter votre revendeur.

## SI L'ARTICLE EST VENDU À L'EXTÉRIEUR DES É.-U. OU DU CANADA

### ▲ AVERTISSEMENT

Si vous souhaitez utiliser ce produit avec un gaz de pétrole liquéfié (LP) qui contient plus de 10 % de butane, vous devez vous procurer la trousse de conversion au propane ZXBUPR01 de Haier Appliances. Pour commander, veuillez composer le 1.888.664.8403 ou le 1.787.276.4051. Le non-respect de cette consigne pourrait présenter un risque d'incendie ou d'intoxication au monoxyde de carbone.

## DISPOSITIONS DE HOTTE D'EXTRACTION

Une hotte d'aspiration appropriée est nécessaire pour les modèles à barbecue et est recommandée pour tous les autres modèles.

Cet appareil produisant une importante quantité de chaleur, vous devez porter une attention toute particulière à l'installation de la hotte et de la conduite d'aération afin de vous assurer qu'elle répond aux normes de construction en vigueur dans votre région.

Il faut prévoir les dégagements ci-dessous par rapport aux surfaces horizontales qui se trouvent au-dessus de la cuisinière. Le non-respect de cette consigne pourrait présenter un risque d'incendie.

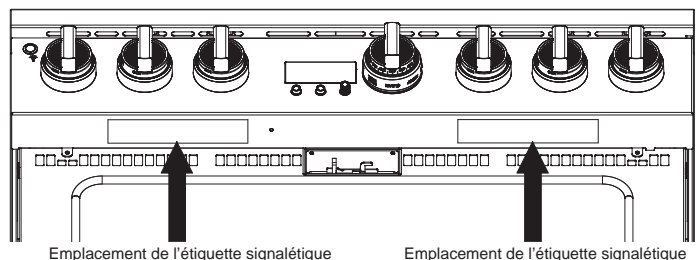
- Les installations sans hotte nécessitent une distance minimale de 48 po aux combustibles à l'exception du modèle ZDP484 qui nécessite une hotte à évacuation adéquate.
- Il est possible d'installer une hotte spéciale à proximité d'éléments horizontaux inflammables dans la mesure où celle-ci dispose d'une fonction de mise en marche automatique.
- Pour obtenir les spécifications relatives aux espaces d'autres installations pourvues d'une hotte, veuillez vous reporter aux instructions fournies avec celle-ci.

### ▲ ATTENTION

Ces cuisinières pèsent plus de 300 kg. Afin d'éviter tout risque de blessure ou d'endommagement de l'appareil et compte tenu du poids et de la taille de la cuisinière :

DEUX PERSONNES SONT NÉCESSAIRES POUR UNE INSTALLATION ADÉQUATE DES CUISINIÈRES 30" (76 cm) et 36" (91 cm).

TROIS PERSONNES SONT NÉCESSAIRES POUR UNE INSTALLATION ADÉQUATE DES CUISINIÈRES 48" (121 CM).



## LISEZ ET CONSERVEZ CES INSTRUCTIONS

# Table des Matières

## TABLE DES MATIÈRES

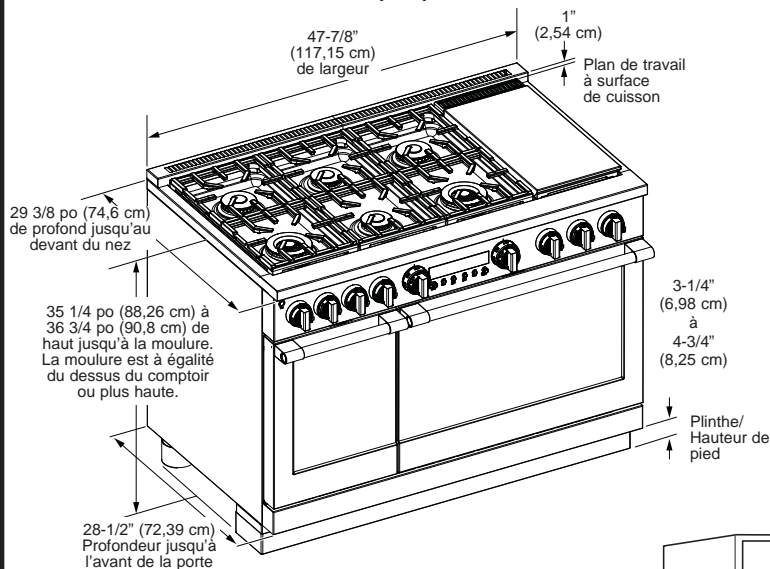
<b>Consignes de Sécurité</b> .....	2	Conversion au gaz propane (GPL) ou reconversion au gaz naturel à partir du propane (GPL).....	13
<b>Caractéristiques</b>		Alimentation en gaz.....	13
Dimensions du Produit et Espaces de Séparation.....	5	Branchements Électriques .....	14
<b>Consignes d'installation</b>		Placez la Cuisinière Dans a Position Finale en la Faisant Rouler.....	14
Kit Haute Altitude .....	9	Ajustez Le Niveau de la Cuisinière .....	15
Matériel Fourni .....	9	Remplacez La(Les) Porte(S) du Four.....	15
Matériel Nécessaire (non fourni) .....	9	Vérifiez les Brûleurs .....	16
Outils Nécessaires .....	9	Vérification des brûleurs de surface.....	16
<b>Installation</b>		Terminez L'installation.....	16
Sortez L'appareil De Son Emballage .....	10	Une fois tous les raccordements terminés.....	16
Déplacez La Cuisinière À L'intérieur.....	11	<b>Installation d'accessoires</b>	
Installez Le Support Anti-Basculement .....	12	Plinthe (incluse).....	17



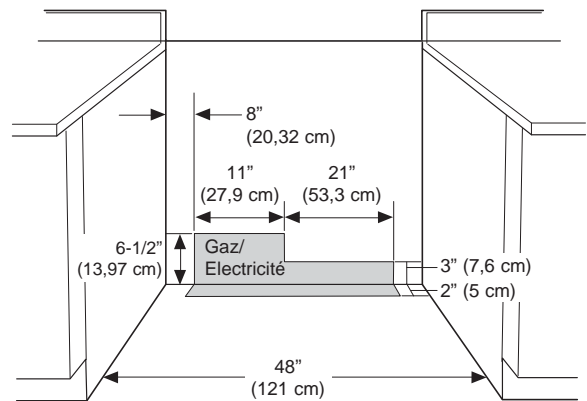
# Caractéristiques

## DIMENSIONS DU PRODUIT ET ESPACES DE SÉPARATION

### Modèles de cuisinière 121 cm (48")



### Emplacements de raccord universels



### ⚠ AVERTISSEMENT

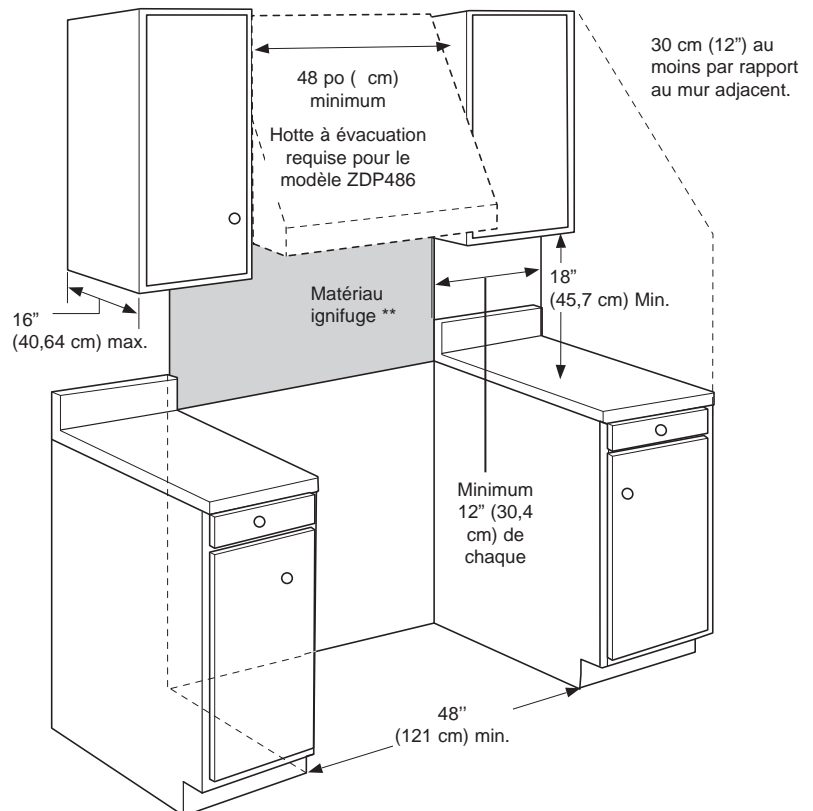
Une hotte à évacuation adéquate est requise pour le modèle ZDP4846. Il est possible d'installer une hotte spéciale à proximité d'éléments horizontaux inflammables dans la mesure où celle-ci dispose d'une fonction de mise en marche automatique. Pour obtenir les spécifications d'espace pour d'autres installations pourvues d'une hotte, veuillez vous reporter aux instructions fournies avec celle-ci.

La surface de la totalité du mur arrière au-dessus de la cuisinière et au-dessous de la hotte doit être recouverte d'un matériau incombustible tel que métal, carreau de céramique, brique, marbre ou autre pierre.

### ⚠ ATTENTION

Afin d'éviter que les courants d'air ne gênent le fonctionnement du brûleur, scellez toutes les ouvertures dans le plancher sous l'appareil et derrière la paroi de celui-ci.

\*\* Selon la définition du National Fuel Gas Code (ANSI Z223.1/CSA B149.1, édition courante). Les dégagements à partir des matériaux incombustibles ne sont pas du ressort de la norme ANSI Z21.1/CSA 1.1 et ils ne sont pas certifiés par la CSA. Les dégagements inférieurs à 30,5 cm (12 po) doivent être approuvés d'après les codes locaux et/ou par les autorités compétentes.

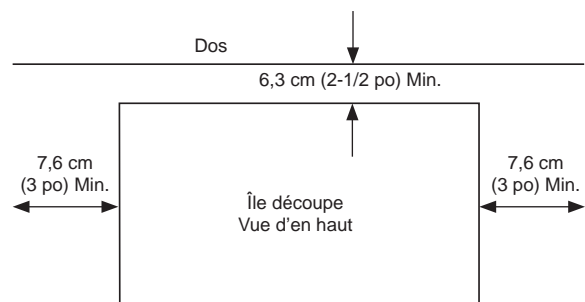


### ESPACES SUPPLÉMENTAIRES :

Prévoyez un espace minimum de 30 cm (12") par rapport au mur adjacent sur chaque côté.

Les espaces de transit autour de la table de cuisson doivent être séparés par un espace d'au moins 45,7 cm (18") entre le plan de travail et le bas du placard mural.

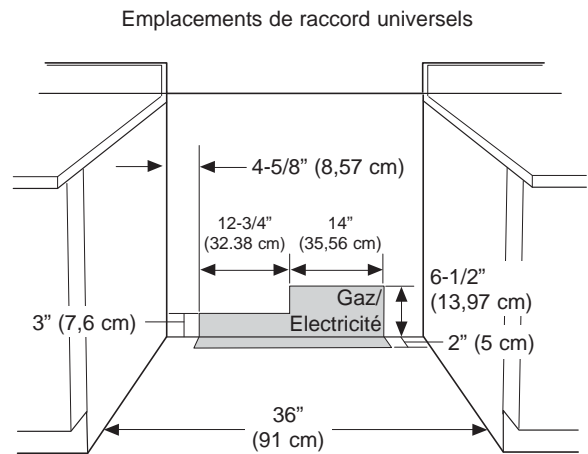
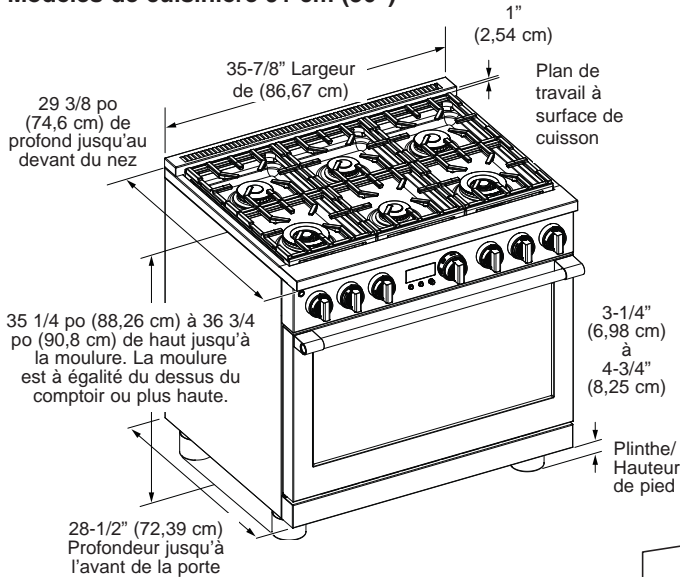
Pour une installation en îlot, maintenir une distance minimum de 6,3 cm (2 1/2 po) entre le bord et le dos du comptoir et 7,6 cm (3 po) minimum sur les côtés du comptoir (voir vue de dessus).



# Caractéristiques

## DIMENSIONS DU PRODUIT ET ESPACES DE SÉPARATION

### Modèles de cuisinière 91 cm (36")



### ⚠ AVERTISSEMENT

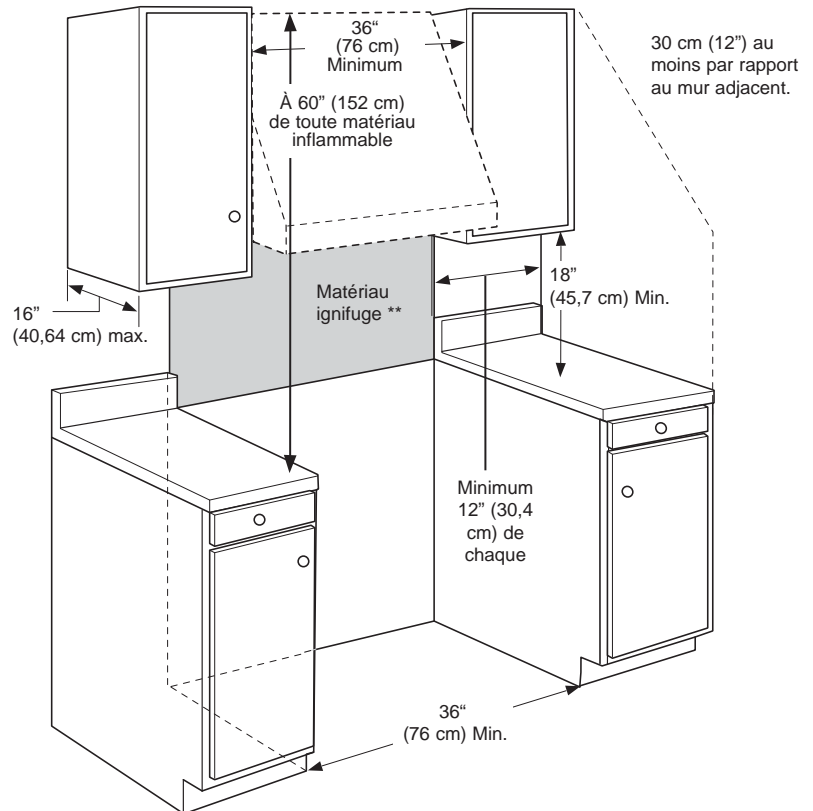
Pour les installations dépourvues de hotte, prévoyez au minimum un espace de 60" (152 cm) entre l'appareil et toute matière inflammable. Il est possible d'installer une hotte spéciale à proximité d'éléments horizontaux inflammables dans la mesure où celle-ci dispose d'une fonction de mise en marche automatique. Pour obtenir les spécifications d'espace pour d'autres installations pourvues d'une hotte, veuillez vous reporter aux instructions fournies avec celle-ci.

La surface de la totalité du mur arrière au-dessus de la cuisinière et au-dessous de la hotte doit être recouverte d'un matériau incombustible tel que métal, carreau de céramique, brique, marbre ou autre pierre.

### ⚠ ATTENTION

Afin d'éviter que les courants d'air ne gênent le fonctionnement du brûleur, scellez toutes les ouvertures dans le plancher sous l'appareil et derrière la paroi de celui-ci.

\*\* Selon la définition du National Fuel Gas Code (ANSI Z223.1/ CSA B149.1, édition courante). Les dégagements à partir des matériaux incombustibles ne sont pas du ressort de la norme ANSI Z21.1/CSA 1.1 et ils ne sont pas certifiés par la CSA. Les dégagements inférieurs à 30,5 cm (12 po) doivent être approuvés d'après les codes locaux et/ou par les autorités compétentes.

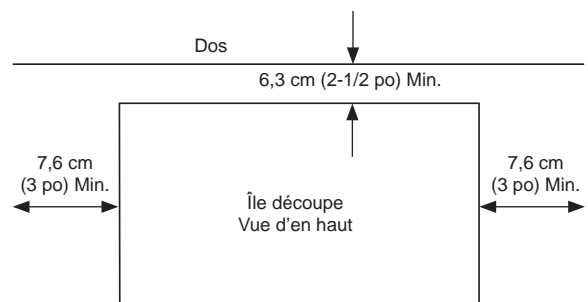


### ESPACES SUPPLÉMENTAIRES :

Prévoyez un espace minimum de 30 cm (12") par rapport au mur adjacent sur chaque côté.

Les espaces de transit autour de la table de cuisson doivent être séparées par un espace d'au moins 45,7 cm (18") entre le plan de travail et le bas du placard mural.

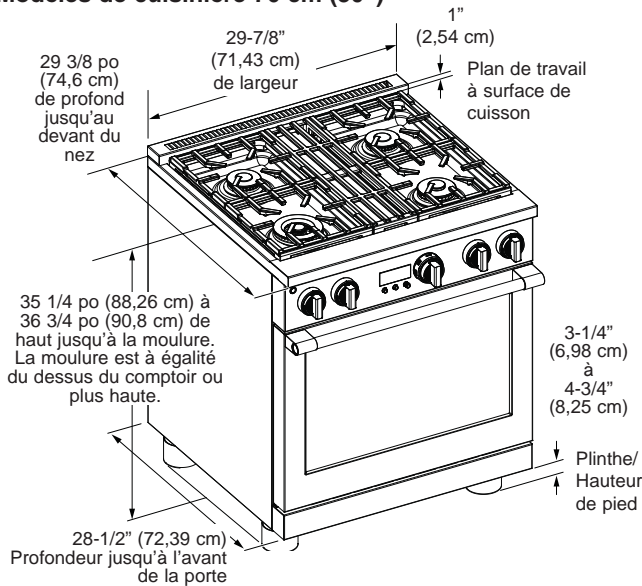
Pour une installation en îlot, maintenir une distance minimum de 6,3 cm (2 1/2 po) entre le bord et le dos du comptoir et 7,6 cm (3 po) minimum sur les côtés du comptoir (voir vue de dessus).



# Caractéristiques

## DIMENSIONS DU PRODUIT ET ESPACES DE SÉPARATION

### Modèles de cuisinière 76 cm (30")



### ⚠ AVERTISSEMENT

Pour les installations dépourvues de hotte, prévoyez au minimum un espace de 48" (122 cm) entre l'appareil et toute matière inflammable. Il est possible d'installer une hotte spéciale à proximité d'éléments horizontaux inflammables dans la mesure où celle-ci dispose d'une fonction de mise en marche automatique. Pour obtenir les spécifications d'espace pour d'autres installations pourvues d'une hotte, veuillez vous reporter aux instructions fournies avec celle-ci.

La surface de la totalité du mur arrière au-dessus de la cuisinière et au-dessous de la hotte doit être recouverte d'un matériau incombustible tel que métal, carreau de céramique, brique, marbre ou autre pierre.

### ⚠ ATTENTION

Afin d'éviter que les courants d'air ne gênent le fonctionnement du brûleur, scellez toutes les ouvertures dans le plancher sous l'appareil et derrière la paroi de celui-ci.

\*\* Selon la définition du National Fuel Gas Code (ANSI Z223.1/ CSA B149.1, édition courante). Les dégagements à partir des matériaux incombustibles ne sont pas du ressort de la norme ANSI Z21.1/CSA 1.1 et ils ne sont pas certifiés par la CSA. Les dégagements inférieurs à 30,5 cm (12 po) doivent être approuvés d'après les codes locaux et/ou par les autorités compétentes.

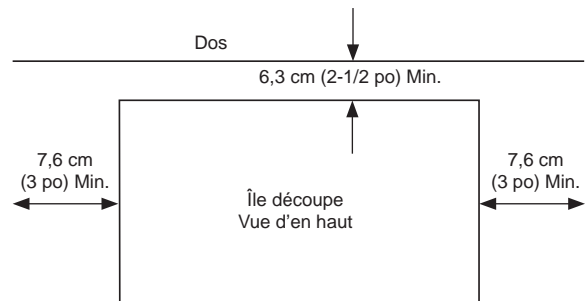
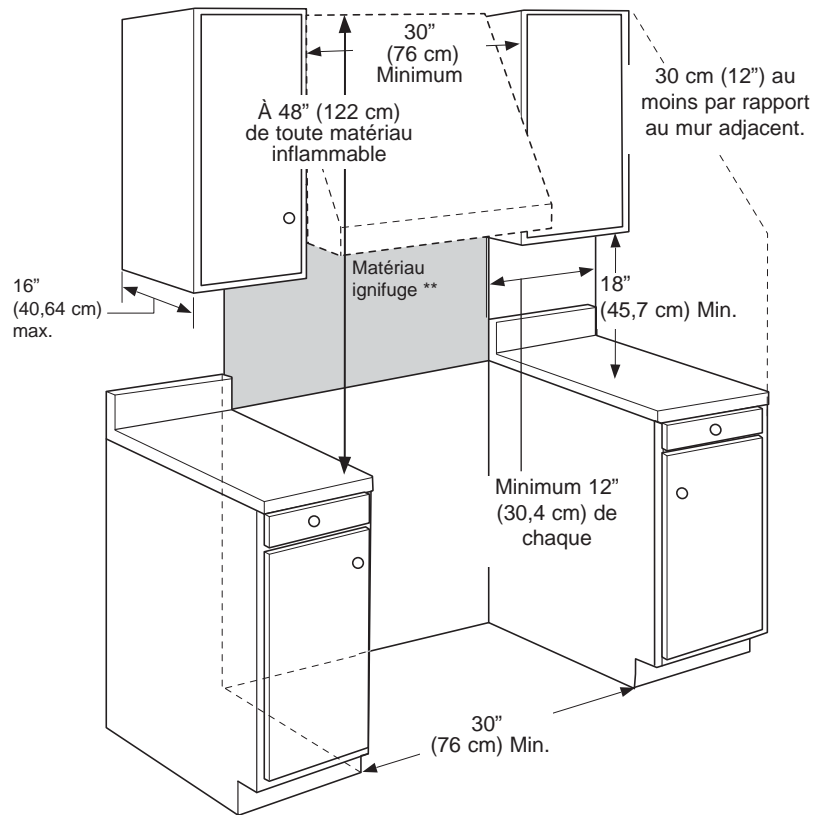
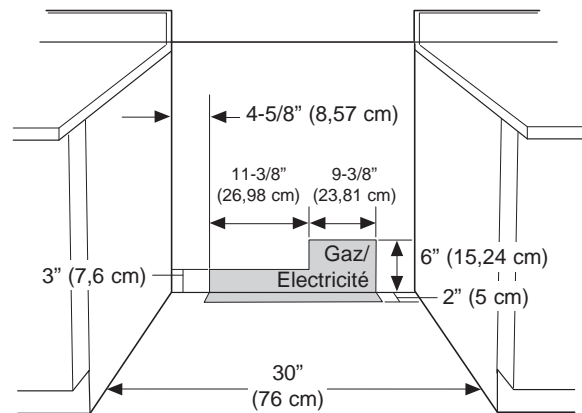
### ESPACES SUPPLÉMENTAIRES :

Prévoyez un espace minimum de 30 cm (12") par rapport au mur adjacent sur chaque côté.

Les espaces de transit autour de la table de cuisson doivent être séparés par un espace d'au moins 45,7 cm (18") entre le plan de travail et le bas du placard mural.

Pour une installation en îlot, maintenir une distance minimum de 6,3 cm (2 1/2 po) entre le bord et le dos du comptoir et 7,6 cm (3 po) minimum sur les côtés du comptoir (voir vue de dessus).

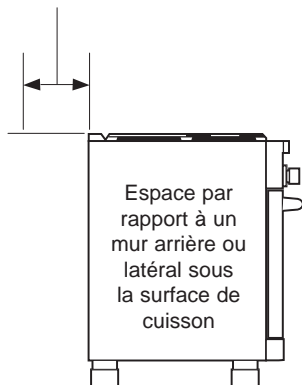
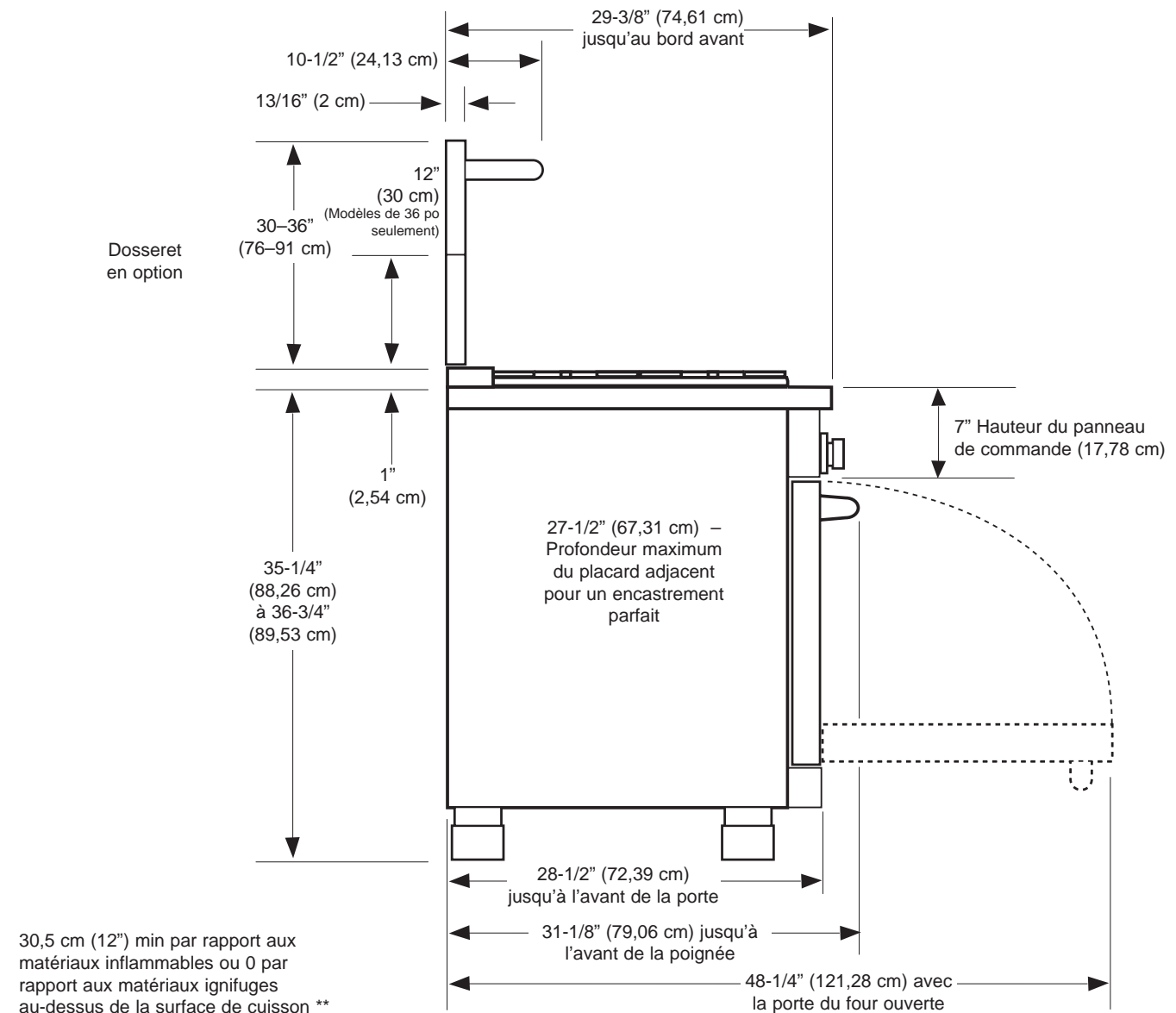
### Emplacements de raccord universels



# Caractéristiques

## DIMENSIONS DE L'APPAREIL ET ESPACES

Modèles de cuisinière 76 cm (30"), 91 cm (36") et 121 cm (48")



\*\* Selon la définition du National Fuel Gas Code (ANSI Z223.1/CSA B149.1, édition courante). Les dégagements à partir des matériaux incombustibles ne sont pas du ressort de la norme ANSI Z21.1/CSA 1.1 et ils ne sont pas certifiés par la CSA. Les dégagements inférieurs à 30,5 cm (12 po) doivent être approuvés d'après les codes locaux et/ou par les autorités compétentes.

### ⚠ AVERTISSEMENT

Le un dosseret de 12" (30 cm) en acier inoxydable doit être installé avec un dosseret ignifuge personnalisé.

Le dosseret fini doit recouvrir la totalité du mur arrière jusqu'au bas de la hotte, ou en l'absence de hotte, 48" (121 cm) aux matériaux inflammables.

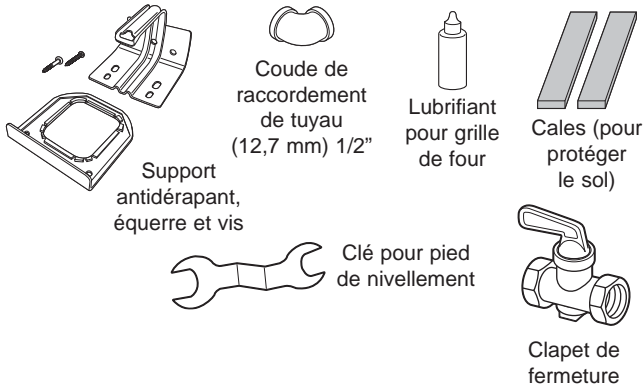
(Le dosseret en acier inoxydable de 12 po (30,5 cm) de haut n'est disponible que pour le modèle 36 po.)

# Consignes d'installation

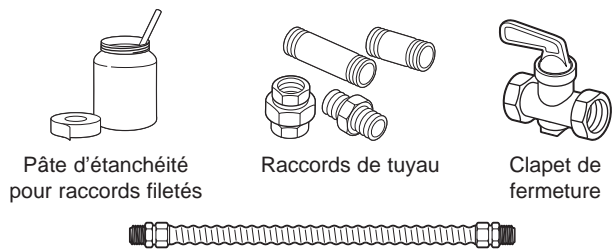
## INSTALLATION EN HAUTE ALTITUDE

Au-delà de 6000 pi (1830 m), un produit configuré pour le gaz naturel ou le propane nécessite l'installation d'une trousse (WB28X39726 pour le gaz naturel et WB28X39727 pour le propane). Suivez les instructions incluses dans la trousse.

## MATÉRIEL FOURNI

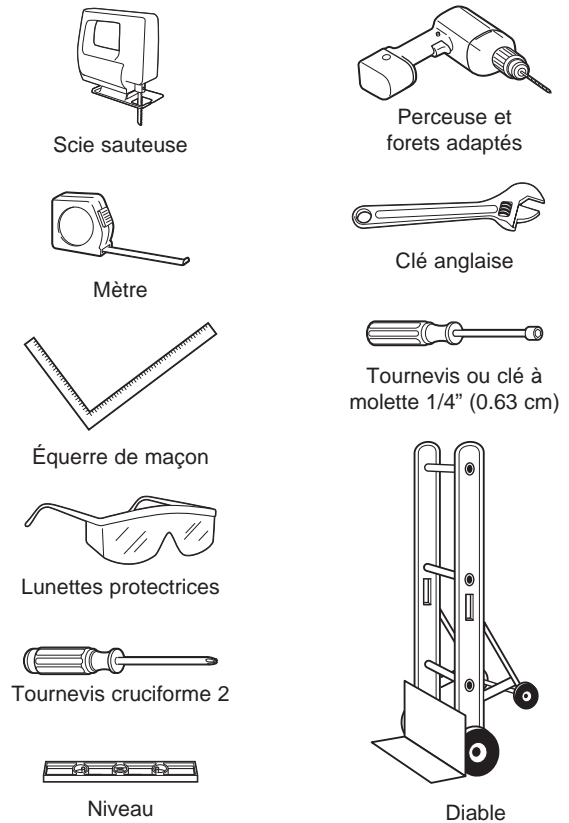


## MATÉRIEL NÉCESSAIRE (non fourni)



**REMARQUE** : procurez-vous un tuyau flexible neuf, n'utilisez pas un tuyau ayant déjà été utilisé.

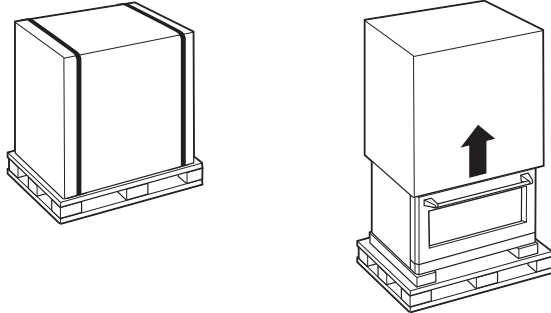
## OUTILS NÉCESSAIRES



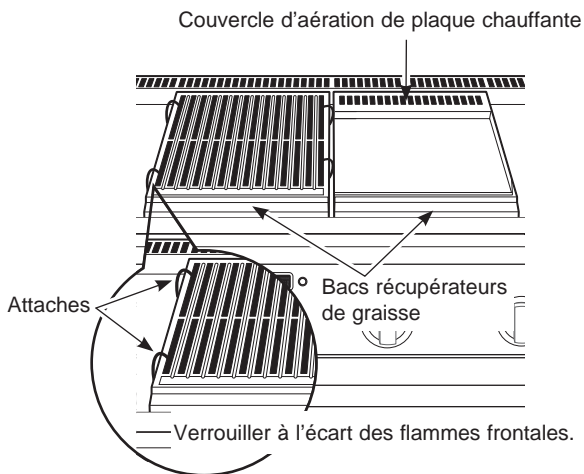
# Installation

## 1 SORTEZ L'APPAREIL DE SON EMBALLAGE

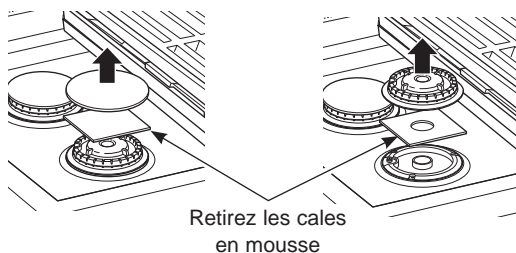
**ATTENTION** Maintenez-vous à l'écart. Les extrémités des bandes métalliques découpées peuvent vous blesser.



- Coupez les bandes métalliques. Soulevez le carton.
- Localisez les deux bandes du dessus de l'emballage. Ces bandes serviront à protéger le sol de la cuisine pendant l'installation.
- Retirez les montants d'angle. Jetez les matériaux d'emballage.
- Retirez les couvercles de la plaque chauffante/du grill, les grilles du grill et des brûleurs.
- Soulevez le couvercle en fonte de la plaque chauffante, les bacs récupérateurs de graisse et les cales.
- Coupez les attaches qui fixent la grille du grill au cadre du grill.

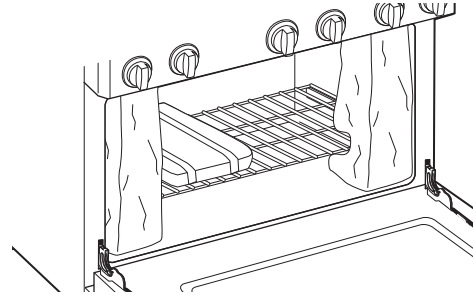


- Soulevez les chapeaux des brûleurs et retirez la cale en mousse, puis soulevez les têtes des brûleurs et retirez la cale en mousse.



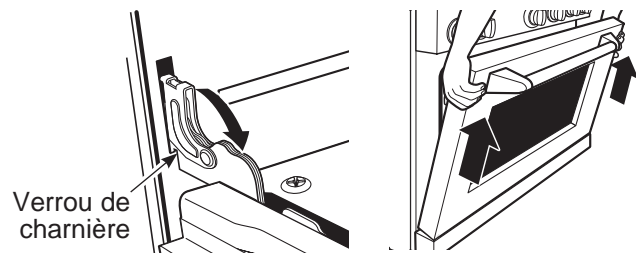
Retirez les cales en mousse

- Ouvrez la(les) porte(s) du four et retirez l'emballage. Retirez l'étagère qui supporte le plat de cuisson, le ruban, l'emballage, le lubrifiant pour étagère et la sonde.



**ATTENTION** Les portes et les voies de passage menant à l'emplacement d'installation requièrent un espace de (80 cm) 32". Si l'espace est inférieur à 80 cm, la (les) porte(s) du four et les boutons de commande doivent être retirés.

RETIREZ LA(LES) PORTE(S) DU FOUR QUE SI CELA S'AVÈRE NECESSAIRE pour déplacer la cuisinière sur les entrées de porte. Afin ne pas endommager les flancs de la cuisinière, il sera nécessaire de rembourrer les coins sous les bandes sur le diable.



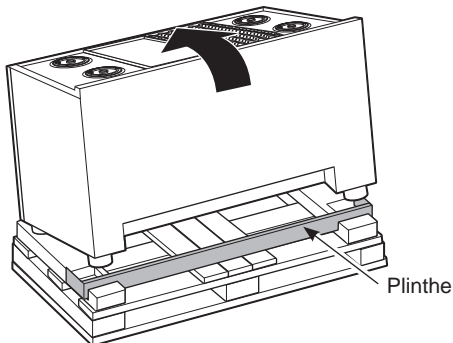
**Pour retirer la(les) porte(s) :**

- Ouvrez la porte en grand.
- Chaque charnière est munie d'un verrou. Tirez la charnière.
- Tenez fermement la porte sur les côtés supérieurs.
- Fermez la porte en position quasi verticale.
- Soulevez la porte et tirez verticalement.

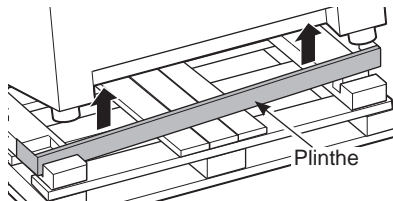
# Installation

## 2 DÉPLACEZ LA CUISINIÈRE À L'INTÉRIEUR

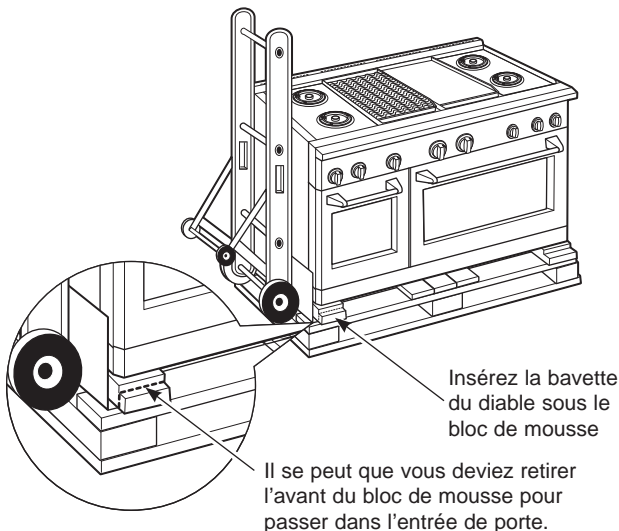
1. Inclinez la cuisinière vers l'avant sur le patin.



2. Soulevez la plinthe du socle en mousse.



3. Poussez la bavette du diable sous le bloc de mousse.

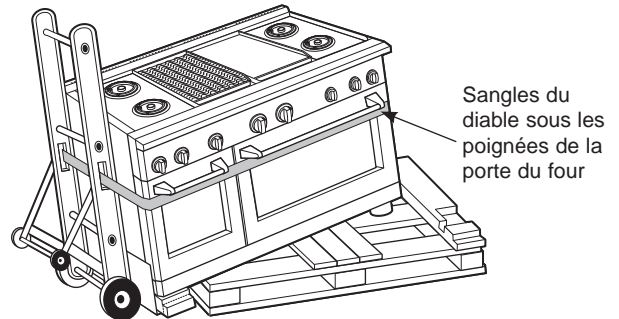


**IMPORTANT :** Ne retirez pas le bloc de mousse de base pendant l'utilisation du chariot manuel. Placez la lame du chariot sous le bloc de mousse puis transportez la cuisinière à sa destination finale.

4. Attachez les sangles du chariot de manutention autour de l'appareil.

**IMPORTANT :** Placez les sangles du diable sous les poignées de la porte du four. Pour éviter endommager les panneaux latéraux, placez un coussin entre le diable et la cuisinière.

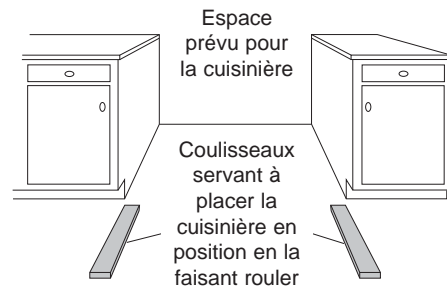
5. Inclinez la cuisinière pour abaisser les roulettes du diable hors du frein antidérapant.



6. Placez les coulisseaux de l'appareil sur le sol sur les côtés gauche et droite à l'avant de l'ouverture.

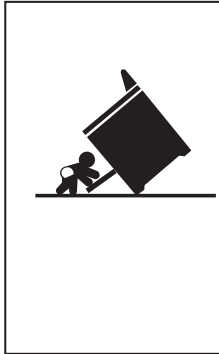
**IMPORTANT :** Les coulisseaux fournissent une surface pour faire rouler la cuisinière dans sa position finale et protéger la finition du sol. Retirez les coulisseaux avant d'ajuster le niveau de la cuisinière.

7. Déplacez la cuisinière. Posez la cuisinière en face de l'emplacement de l'installation, sur les guides.



# Installation

## 3 INSTALLEZ LE SUPPORT ANTI-BASCULEMENT



### ⚠ AVERTISSEMENT

#### Risque de basculement

- Un enfant ou un adulte peut faire basculer la cuisinière et ainsi perdre la vie.
- Posez la ferrure antibasculement sur le mur ou le plancher.
- Remettez la cuisinière en place en la glissant de façon que son pied s'insère dans la ferrure antibasculement.
- Insérez le pied de nouveau si vous déplacez la cuisinière.
- L'omission d'observer ces consignes peut occasionner la mort ou des brûlures graves aux enfants ou aux adultes.

Afin d'éviter que la cuisinière ne bascule, il est nécessaire de la fixer à l'aide d'un support anti-basculement. Reportez-vous aux consignes d'installation fournies avec le support pour en savoir plus avant de procéder à l'installation.

Afin de vérifier la bonne installation du support, regardez au-dessous de la cuisinière. Le support anti-basculement devrait être inséré dans l'ouverture de l'équerre anti-basculement sur la cuisinière. Si le bras du support manque l'équerre sur le côté droit au gauche, ou le bras du support ne dépasse pas à travers l'ouverture de l'équerre, réinstallez le support.

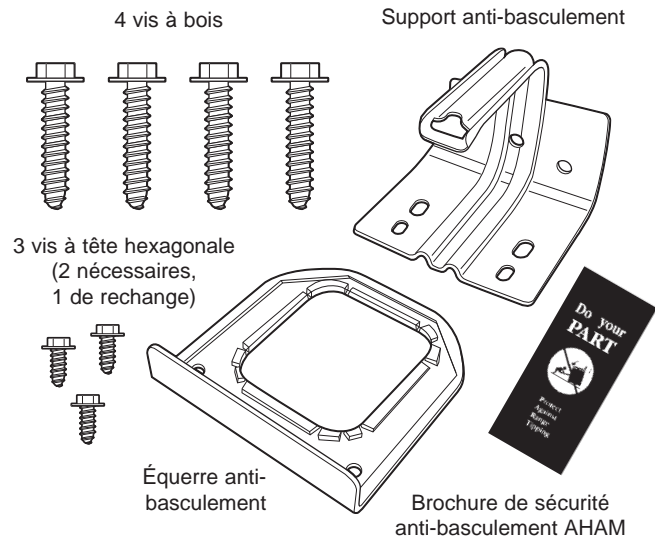
Si la cuisinière est tirée du mur, répétez cette procédure afin de vérifier si la cuisinière est correctement fixée par le support anti-basculement.

Si votre cuisinière ne dispose pas support anti-basculement, appelez le 1.800.626.8774 pour en recevoir un gratuitement.

Si le support anti-basculement fourni avec la cuisinière n'adapte pas dans cette application, utilisez le support anti-basculement universel WB2X7909.

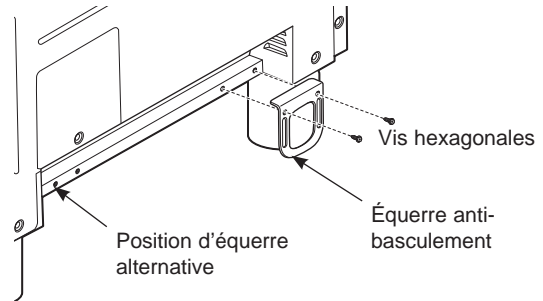
Veuillez lire la brochure de sécurité contre les basculements AHAM livrée avec le support.

#### Pièces du support anti-basculement fournies



- Fixez l'équerre anti-basculement au bas de la cuisinière dans l'espace en retrait. Installez 2 vis hexagonales (fournies) sur l'équerre et la cuisinière.

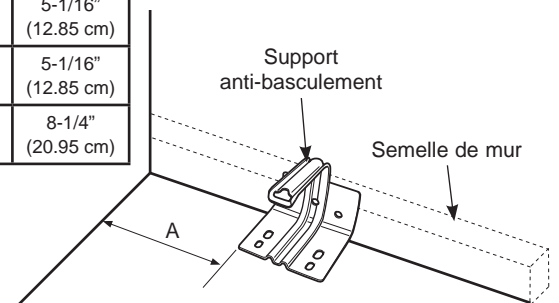
**REMARQUE :** Ce dispositif anti-basculement peut être installé sur le côté opposé de la cuisinière.



- Mesurez et marquez Dimensionnez A (voir le tableau ci-dessous) du côté gauche (ou droit) de l'emplacement d'installation, Si le plan de travail est doté d'un surplomb, ajoutez cette dimension à Dimensionnez A.
- Placez le support anti-basculement sur le sol et le mur selon l'emplacement marqué. Marquez des repères pour les trous à vis pour la fixation du support sur la semelle du mur et le sol.
- Percez des trous repère de 31 mm (1/8") à un angle de 20°.
- Fixez le support sur le sol et/ou le mur à l'aide les 2 vis à bois (fournies).

**Pour les constructions en ciment ou béton :** Vous devez utiliser les éléments fixation appropriés (non fournis).

La Cuisinière	A
30" (76 cm)	5-1/16" (12.85 cm)
36" (91 cm)	5-1/16" (12.85 cm)
48" (121 cm)	8-1/4" (20.95 cm)





# Installation

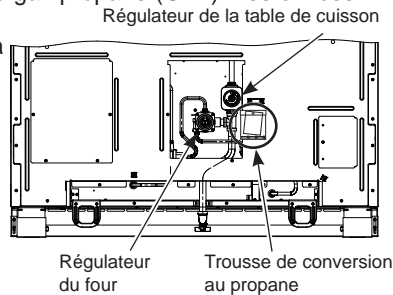
## 4 CONVERSION AU GAZ PROPANE (GPL) OU RECONVERSION AU GAZ NATUREL À PARTIR DU PROPANE (GPL)

Cette cuisinière quitte l'usine avec une configuration pour le gaz naturel. Si vous souhaitez vous convertir au gaz propane (GPL), la conversion doit être réalisée par un installateur agréé pour le gaz propane (GPL). Les orifices et les instructions de conversion se trouvent à l'arrière de la cuisinière.

Conservez ces instructions et tous les orifices dans l'éventualité d'un retour au gaz naturel.

### REMARQUE :

L'emplacement varie selon le modèle.



## 5 ALIMENTATION EN GAZ

### ⚠ AVERTISSEMENT

Risque d'incendie : N'utilisez pas une flamme pour détecter les fuites de gaz.

### ⚠ AVERTISSEMENT

Risque d'explosion : Le couple de serrage des raccords à la conduite de gaz ne doit pas excéder 25 lb-pi. Un serrage trop élevé peut endommager le régulateur de pression et poser un risque d'incendie ou d'explosion.

### Régulateur de pression du gaz

Vous devez utiliser le régulateur de pression fourni avec cette cuisinière. Pour un bon fonctionnement, la pression d'admission de gaz au régulateur doit présenter les valeurs suivantes :

#### Gaz naturel :

Pression minimale : 6 podes colonne d'eau

Pression maximale : 13 podes colonne d'eau

#### Propane (LP) :

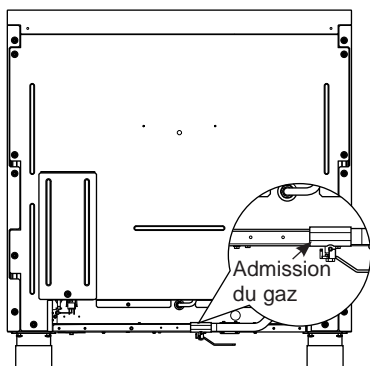
Pression minimale : 11 podes colonne d'eau

Pression maximale : 13 podes colonne d'eau

Si vous doutez de connaître la pression d'admission de gaz, communiquez avec votre fournisseur de gaz local.

**REMARQUE :** Un robinet de sectionnement du gaz, livré avec cette cuisinière, doit être installée à l'arrière de la cuisinière près du plancher avec sa poignée orientée vers le bas. Ce clapet de fermeture est utilisé

lorsqu'une réparation est requise. Pour atteindre ce clapet de fermeture, retirez le bras sous la cuisinière. Un coude de 1/2 po facultatif est fourni pour la connexion à l'orifice d'entrée du gaz de la cuisinière.



## 5 ALIMENTATION EN GAZ (suite)

Fermez le robinet d'alimentation en gaz principal avant de déconnecter l'ancienne cuisinière et ne rétablissez l'alimentation que lorsque le nouveau raccordement est terminé. N'oubliez pas de rallumer la veilleuse du nouveau dispositif lors du rétablissement du gaz.

Étant donné que la tuyauterie rigide restreint le mouvement de la cuisinière, l'utilisation d'un raccord métallique flexible certifié par CSA International est recommandé sauf si les codes locaux exigent un raccordement par tuyauterie rigide.

Si la méthode par tuyauterie rigide est utilisée, vous devez aligner minutieusement le tuyau car la cuisinière ne pourra pas être déplacée une fois le raccordement effectué.

Afin de prévenir les fuites de gaz, mettez de la pâte d'étanchéité pour joints filetés, ou du ruban pour filets de tuyau Teflon\*, sur tous les filets de tuyaux mâles (extérieurs).

- Installez un robinet de sectionnement manuel sur la conduite de gaz à un endroit facilement accessible à l'extérieur de la cuisinière. Assurez-vous que tous les usagers de la cuisinière sauront l'endroit où se trouve ce robinet et la façon de fermer l'alimentation de gaz à la cuisinière.
- Vissez un raccord union conique mâle de 1/2 po sur le filet intérieur 1/2 po NPT de l'orifice d'admission du robinet de sectionnement de la cuisinière. Utilisez une deuxième clé de serrage sur le robinet de sectionnement pour prévenir les dommages.
- Vissez un raccord union mâle de 1/2 ou 3/4 po sur le filet NPT intérieur du robinet de sectionnement du domicile, en veillant à immobiliser le robinet de sectionnement avec une clé pour l'empêcher de tourner.
- Posez le raccord métallique flexible pour électroménagers sur l'adaptateur de la cuisinière. Placez la cuisinière de façon à permettre le raccordement au robinet de sectionnement du domicile.
- Une fois tous les raccords effectués, assurez-vous que toutes les commandes de la cuisinière se trouvent à la position d'arrêt (OFF) et ouvrez le robinet d'alimentation en gaz principal. Utilisez un détecteur de fuites liquide à tous les raccords de gaz afin de détecter d'éventuelles fuites de gaz dans le système.

Si vous utilisez une pression supérieure à 1/2 psig pour l'essai de pression du système d'alimentation en gaz du domicile, déconnectez la cuisinière et le robinet de sectionnement individuel de la tuyauterie d'alimentation en gaz. Si vous utilisez une pression égale ou supérieure à 1/2 psig pour l'essai de pression du système d'alimentation en gaz, isolez simplement la cuisinière du système d'alimentation en gaz en fermant le robinet de sectionnement individuel.

Lors de la vérification du bon fonctionnement du régulateur, la pression d'admission doit être supérieure d'au moins 1 po par rapport à la pression de service (collecteur) indiquée sur l'étiquette signalétique du produit.

\*Teflon : Marque déposée de DuPont.

# Installation

## 6 BRANCHEMENTS ÉLECTRIQUES

### ⚠ AVERTISSEMENT

Risque de décharge électrique : Cet appareil doit être mis à la terre correctement. L'omission de procéder ainsi peut occasionner une décharge électrique.

Exigences électriques - 120-volts, 60 hertz, circuit dédié correctement mis à la terre par un disjoncteur de 15 ou 20 ampères ou un fusible temporisé.

**REMARQUE :** Pour ce produit, il est recommandé d'utiliser des interrupteurs extérieurs câblés, sans fil ou automatiques qui coupent le courant à l'appareil.

### Mise à la terre

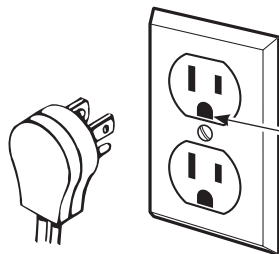
Le cordon électrique de cet appareil est muni d'une fiche à trois broches (avec terre) qui s'insère dans une prise murale à trois fentes standard afin de minimiser le risque de décharge électrique de cet appareil.

Le client devrait faire inspecter la prise murale et le circuit par un électricien agréé pour s'assurer que la prise est correctement mise à la terre.

Si la prise murale disponible est à deux fentes seulement, le client a la responsabilité et l'obligation de la remplacer par une prise murale à trois broches correctement mise à la terre.

**EN AUCUNE CIRCONSTANCE VOUS NE DEVEZ COUPER OU ENLEVER LA TROISIÈME BROCHE (TERRE) DE LA FICHE DU CORDON ÉLECTRIQUE. N'UTILISEZ PAS UN ADAPTATEUR. N'UTILISEZ PAS UN CORDON DE RALLONGE.**

Les disjoncteurs différentiels de fuite à la terre (DDFT) ne sont pas requis ni recommandés pour les prises électriques de cuisinières au gaz. Un circuit protégé par un disjoncteur DDFT ne nuira pas au rendement de la cuisinière mais un déclenchement occasionnel de ce disjoncteur est possible.



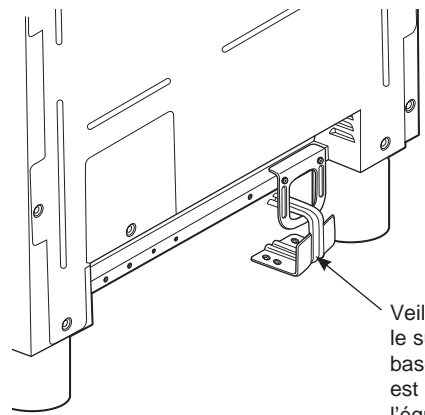
S'assurer d'une mise à la terre correcte avant l'utilisation

## 7 PLACEZ LA CUISINIÈRE DANS A POSITION FINALE EN LA FAISANT ROULER

### ⚠ AVERTISSEMENT

Le support antibasculement doit être correctement installé pour éviter le basculement de la cuisinière, afin d'éviter des blessures graves ou des dommages matériels.

- Assurez-vous que les coulisseaux se trouvent sous les roulettes.
- La cuisinière est livrée avec les roulettes pliées. Faites rouler la cuisinière vers sa position finale, en prenant soin de ne pas coincer ou d'emmêler le cordon d'alimentation ou les tuyaux flexibles d'alimentation en gaz.
- Retirez les coulisseaux du dessous la cuisinière.



Veillez à ce que le support antibasculement est inséré avec l'équerre sur la cuisinière

# Installation

## 8 AJUSTEZ LE NIVEAU DE LA CUISINIÈRE

### ⚠ AVERTISSEMENT

La cuisinière doit être à plat et reposer sur des pieds et non pas des roulettes. La cuisinière pourrait bouger si les roulettes touchent le sol. Veillez à ce que les pieds touchent le sol quelque soit l'installation.

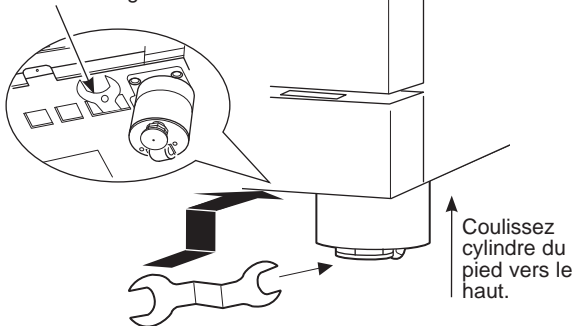
- Tous les pieds doivent être à plat après installation de l'appareil.
- Veillez à ce que les placards/plans de travail situés à côté soient à plat, de haut en bas et de gauche à droite sur l'espace de la cuisinière.
- Mesurez la distance qui sépare le sol du haut du plan de travail au niveau des coins supérieurs droit et gauche.
- Réglez la hauteur de la cuisinière sur la hauteur du plan de travail ou plus haut.

**IMPORTANT :** Cette cuisinière doit toujours être installée à la hauteur du plan de travail ou plus haut. **N'INSTALLEZ PAS LA CUISINIÈRE PLUS BAS QUE LE PLAN DE TRAVAIL ADJACENT.** La cuisinière doit être posée sur 4 pieds, indépendamment de la hauteur du plan de travail.

### AJUSTEMENT DU PIED AVANT

- Un clé pour pied de support est fournie. Accédez au dessous de la cuisinière à proximité du pied droit. Localisez et retirez une vis de serrage à main, puis dégagez la clé de la rainure.
- Glissez les cylindres avant vers le haut pour accéder aux pieds de nivellement avant. Prenez soin de ne pas endommager le cylindre.

Vis de serrage à main



- Utilisez la clé fournie pour régler les pieds de nivellement avant. Tournez dans le sens des aiguilles pour allonger les pieds afin de soulever et stabiliser la cuisinière. Tournez dans le sens contraire des aiguilles pour rentrer les pieds et faire reposer la cuisinière sur ses roulettes.
- Veuillez ranger la clé dans son étui de rangement pour la réutiliser ultérieurement.

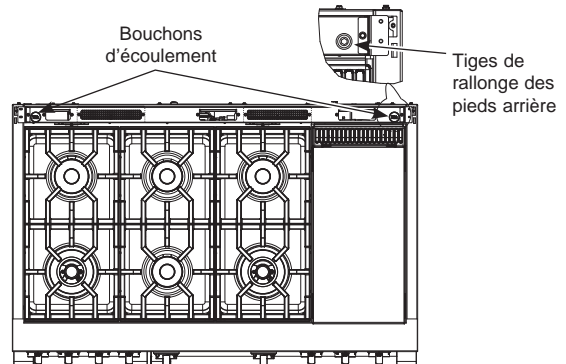
## 8 AJUSTEZ LE NIVEAU DE LA CUISINIÈRE (suite)

### AJUSTEMENT DU PIED ARRIÈRE

### ⚠ AVERTISSEMENT

Afin de réduire le risque d'incendie ou de choc électrique, remplacez toujours les bouchons d'écoulement dans les trous des tiges de rallonge.

- Retirez les deux vis de la plaque d'aération arrière. Faites coulisser la plaque d'aération vers l'avant, puis soulevez-la pour la retirer.
- Retirez les deux (2) bouchons d'écoulement pour repérer les tiges de rallonge des pattes arrière. Utilisez un tournevis ou une clé à douille ¼ po pour ajuster les pieds arrière gauche ou droit.
- Saisissez-vous des deux tiges de rallonge de pied. Utilisez un tournevis ou une clé 0,53 cm (1/4") pour ajuster les pieds arrière gauche et droit.
- Remplacez les deux (2) bouchons d'écoulement ainsi que la plaque d'aération arrière à l'aide des vis d'origine.



## 9 REMPLACEZ LA(LES) PORTE(S) DU FOUR

Passer à l'étape suivante si les portes du four sont installées.

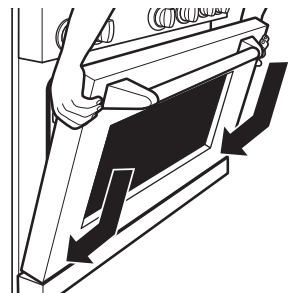
**IMPORTANT :** Ne soulevez pas la porte par la poignée.

**Pour remplacer les portes du four :**

- Tenez fermement la porte par le haut. C'est essentiel.
- Rapprochez la cuisinière avec la porte inclinée en position verticale.
- Coulissez les charnières dans les rainures.
- Poussez la porte pour ouvrir.
- Une fois en position, ouvrez la porte en grand. Rabattez ou déployez les verrous de charnière vers le cadre avant.

### ⚠ ATTENTION

Remplacez les portes du four avec précaution. Si le loquet de la charnière n'est pas correctement verrouillé, la charnière pourrait se rétracter et se détacher. Si la charnière se détache, vous devez appliquer une pression (avec votre pied) pour la plaquer et enclencher le loquet.



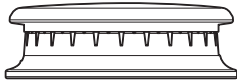
# Installation

## 10 VÉRIFIEZ LES BRÛLEURS

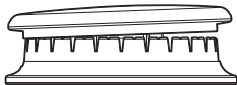
### ⚠ AVERTISSEMENT

Risque d'incendie ou d'explosion :  
Ne faites pas fonctionner le brûleur sans que toutes ses pièces ne soient en place.

- A. **Brûleur** - Placez les brûleurs de surface dans les positions correspondantes sur la table de cuisson.
- B. **Chapeaux** - Placez les chapeaux sur les brûleurs de taille appropriée.
- C. **Grilles** - Les grilles gauche et droite sont interchangeables. Placez les grilles sur la table de cuisson.



Chapeau de brûleur incorrectement installé



Chapeau de brûleur correctement installé

## 11 VÉRIFICATION DES BRÛLEURS DE SURFACE

Poussez et tournez un bouton jusqu'à la position LITE. Un clic indique le bon fonctionnement du système d'allumage. Lors de l'allumage d'un brûleur, des étincelles apparaîtront dans tous les brûleurs mais le gaz alimentera uniquement celui qui est sélectionné. Une fois l'air purgée de la conduite d'alimentation, le brûleur devrait s'allumer sous 4 secondes. Une fois le brûleur allumé, tournez le bouton à l'écart de la position LITE. Essayez chaque brûleur successivement jusqu'à ce que tous les brûleurs soient vérifiés.

### Qualité des flammes

Déterminez la qualité des flammes visuellement. Des flammes de brûleur normales devraient ressembler à (A) ou (B).



(A) **Flammes d'un bleu doux** —  
Normal pour le gaz naturel



(B) **Extrémités jaunes sur les cônes extérieurs** —  
Normal pour le propane (LP)

Des flammes longues d'un jaune vif ne sont pas normales. Des flammes normales peuvent présenter une touche d'orange lorsque bien chauffées ou des signes de vacillement orange causé par des particules dans le gaz ou l'air.

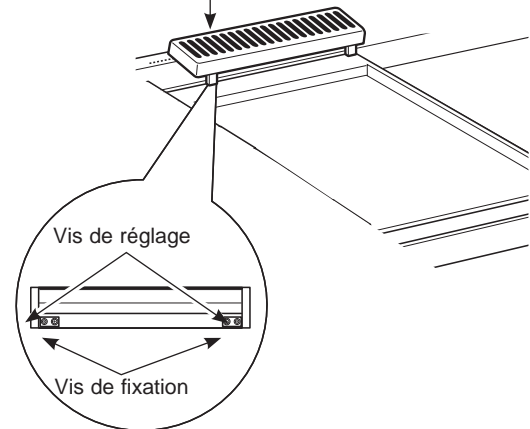
## TERMINEZ L'INSTALLATION

Placez les grilles des brûleurs sur les brûleurs. Les grilles doivent être posées et ne devraient pas bouger.

La plaque chauffante est fixée à l'aide de vis. Elle a été conçue pour être statique et elle ne doit pas être retirée.

La plaque chauffante est dotée de deux vis de réglage sous le couvercle d'aération arrière que vous pouvez utiliser pour ajuster l'inclinaison de votre choix.

Couvercle d'aération de la plaque chauffante



Les deux vis intérieures sont des vis de fixation qui maintiennent la plaque en place. Desserrez les deux vis avant de régler. Ne retirez pas ces deux vis.

Les deux vis externes sont des vis de réglage. Ne retirez pas ces deux vis. Elles peuvent être vissées pour régler le niveau de la plaque chauffante ou pour créer une inclinaison vers l'avant permettant d'évacuer la graisse et l'huile des aliments cuisinés.

Après avoir réglé le niveau de la plaque chauffante, serrez les deux vis de fixation à la main, en prenant soin de ne pas trop serrer.

## UNE FOIS TOUS LES RACCORDEMENTS TERMINÉS

Assurez-vous que toutes les commandes sont dans la position d'arrêt (OFF). Assurez-vous que la circulation de l'air de combustion et de ventilation de la cuisinière n'est pas obstruée.

Vérifiez que tout le matériel et le ruban d'emballage a été retiré. Cela inclut le ruban sur le panneau métallique en dessous des boutons de commande (s'il y a lieu), le ruban adhésif, les attaches de câble, le carton et le plastique de protection. L'omission de retirer ce matériel posera un risque d'endommagement lorsque les surfaces de cet électroménager deviendront chaudes suite à sa mise en service.

# Installation d'accessoires

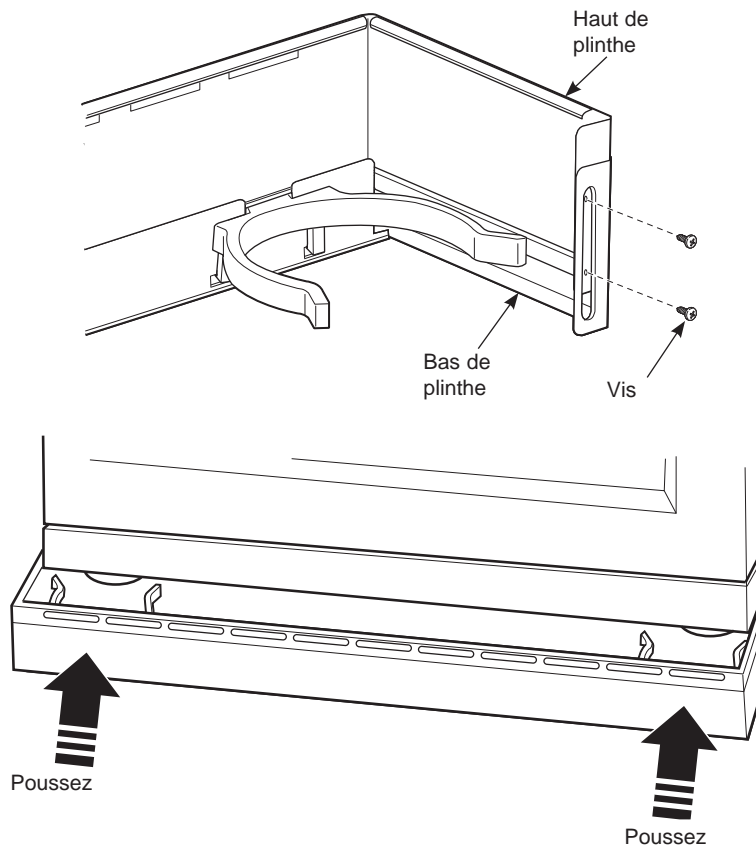
## PLINTHE (incluse)

- Installez la plinthe après avoir ajusté la position de la cuisinière.
- Mesurez la distance entre le sol et le bas de la cuisinière.
- Desserrez les deux vis sur chaque extrémité. Ajustez la hauteur de la plinthe en faisant coulisser les pièces supérieur et inférieur 1/8" de moins que la hauteur mesurée.
- La plinthe est dotée d'un ajustement total en hauteur de 1,5 po (3,8 cm). Pour ajuster, desserrez les deux vis à chaque extrémité et écartez les parties supérieure et inférieure de 1/8 po de moins que la hauteur mesurée.

**REMARQUE :** La vis supérieure peut être retirée pour obtenir une hauteur maximale de la plinthe.

- Fixez les parties inférieure et supérieure en serrant les 2 vis sur chaque extrémité.
- Plaquez la plinthe contre le pied de la cuisinière jusqu'à ce que le clip s'encastre dans les pieds.

**REMARQUE :** Veillez à ce que la plinthe s'emboîte correctement dans le pied.



**REMARQUE** : Il est recommandé de porter des lunettes de sécurité ou des lunettes étanches lors de l'installation de cet appareil.

**REMARQUE** : Au sein de GE Appliances, nous nous efforçons toujours d'améliorer nos produits. Ainsi, les matériaux, l'aspect et les spécifications peuvent être modifiés sans préavis.



# INSTRUCCIONE DE INSTALACIÓN

**Estufas profesionales completamente a gas  
de 30", 36" y 48"**

ESPAÑOL.

MONOGRAM.COM

# Información de Seguridad

¿Desea realizar una consulta o necesita ayuda con su electrodoméstico? ¡Intente a través del sitio Web de Monogram las 24 horas del día, cualquier día del año! También puede comprar más grandiosos productos de Monogram y sacar ventaja de todos nuestros servicios de soporte a través de Internet, diseñados para su conveniencia. En EE.UU.: [monogram.com](http://monogram.com).

## EN EL COMMONWEALTH DE MASSACHUSETTS

- Este producto debe ser instalado por un plomero licenciado o un mecánico gasista.
- Al usar un conector de gas flexible no deberá exceder los 5 pies.
- Al usar válvulas de cierre de gas tipo balón, deberán ser del tipo de manija T.

## ⚠ ADVERTENCIA RIESGO DE INCENDIO O EXPLOSIÓN

Si la información de este manual no se sigue exactamente, se podrá producir un incendio o explosión, ocasionando daños sobre la propiedad, lesiones o la muerte.

La instalación deberán ser realizadas por un instalador calificado.

Lea estas instrucciones en su totalidad y atentamente.

Esta estufa se deberá instalar de acuerdo con los códigos locales, o en la ausencia de códigos locales, con el Código de Gas Combustible Nacional, ANSI Z223.1/NFPA.54, última edición. En Canadá, la instalación deberá ser conforme con el Código de Instalación de Gas Natural actual, CAN/CGA-B149.1 o el Código de Instalación de Propano actual, CAN/CGA-B149.2, y con los códigos locales cuando corresponda. Esta estufa fue diseñada y certificada por CSA International, de acuerdo con ANSI Z21.1, última edición y con la Canadian Gas Association (Asociación de Gas de Canadá) CAN/CGA-1.1 última edición.

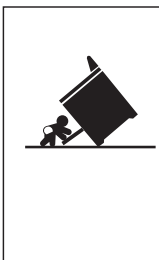
Al instalar un electrodoméstico a gas, el uso de conectores flexibles viejos puede ocasionar pérdidas y lesiones personales. Siempre use un conector flexible NUEVO.

La prueba de goteras del electrodoméstico se deberá realizar de acuerdo con las instrucciones del fabricante.

La estufa deberá estar correctamente conectada a tierra de acuerdo con los códigos y ordenanzas locales o, en ausencia de códigos locales, de acuerdo con el Código Nacional de Electricidad (National Electric Code), (ANSI/NFPA NO. 70., última edición). En Canadá, la conexión a tierra se deberá realizar de acuerdo con la Parte 1 del Código de Electricidad de Canadá CSA C22.1 y/o los códigos locales. En esta sección, consulte las Conexiones Eléctricas

No instale este producto con una campana con cortina de aire u otra campana de estufa que funcione llevando aire a la placa de cocción. El flujo de aire podrá interferir en el funcionamiento de los quemadores de gas, produciendo riesgos de incendio o explosión.

## PARA SU SEGURIDAD

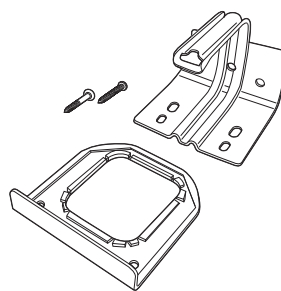


### ⚠ ADVERTENCIA

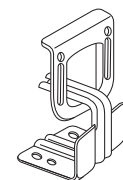
#### Riesgo de Caída

- Un niño o adulto pueden volcar la cocina y morir.
- Instale el soporte anti-volcaduras sobre la pared o el piso.
- Asegúrese la estufa al soporte anti-volcaduras deslizando la unidad hacia atrás de tal manera que la pata niveladora sea enganchada.
- Vuelva a adherir el soporte anti-volcaduras si la estufa se mueve de lugar.
- Si esto no se hace, se podrá producir la muerte o quemaduras graves en niños o adultos.

Si no recibió un soporte anti volcaduras con su compra, llame al 1.800.626.8774 para recibir uno sin costo. (En Canadá, llame al 1.800.561.3344). Para recibir instrucciones de instalación del soporte, visite: [GEAppliances.com](http://GEAppliances.com) (En Canadá, [GEAppliances.ca](http://GEAppliances.ca)).



Kit de soporte anti-volcaduras incluido



Vista Trasera

### ⚠ ADVERTENCIA

Antes de comenzar la instalación, apague el encendido en el panel de servicio y bloquee el medio de desconexión del servicio a fin de evitar que el encendido se active de forma accidental. Cuando el medio de desconexión del servicio no se pueda bloquear, ajuste de manera segura un ítem de advertencia que esté bien visible, tal como una etiqueta, sobre el panel de servicio.

# LEA Y GUARDE ESTAS INSTRUCCIONES



# Información de Seguridad

## ANTES DE COMENZAR

Lea estas instrucciones por completo y con detenimiento.

- **IMPORTANTE** — Conserve estas instrucciones para uso del inspector de electricidad local.
- **IMPORTANTE** — Cumpla con todos los códigos y ordenanzas gubernamentales.
- **IMPORTANTE** — Retire todo el material de embalaje y material escrito del horno antes de conectar el gas y el suministro de corriente a la estufa.
- **IMPORTANTE** — A fin de evitar daños en los gabinetes, controle con su constructor o proveedor de gabinetes que los materiales usados no descolorarán, deslaminarán ni sostendrán otro daño. Este horno fue diseñado de acuerdo con los requisitos de UL y CSA International y cumple con las temperaturas máximas permitidas para gabinetes de madera de 194° F (90° C).
- **Nota para el Instalador** — Asegúrese de que estas instrucciones queden en manos del comprador.
- **Nota para el Consumidor** — Guarde estas instrucciones para referencia futura.
- **Servicio Técnico** — El diagrama eléctrico se encuentra en un sobre adjunto al reverso de la estufa.
- La correcta instalación del producto es responsabilidad del instalador.
- Si se producen fallas en el producto debido a una instalación inadecuada, la Garantía no cubrirá las mismas.
- Antes de instalar su estufa sobre linóleo y cualquier otro revestimiento de piso sintético, asegúrese de que el revestimiento del piso resista los 180° F sin contraerse, combarse o descolorarse. No instale la estufa sobre alfombras, a menos que haya una hoja de contrachapado de un grosor de ¼" o un aislante similar entre la estufa y la alfombra.
- Para acceder a Piezas y Accesorios de Monogram, visite nuestro sitio web en [monogram.com/ownership/parts/](http://monogram.com/ownership/parts/)
- Si ha recibido una estufa dañada, usted debe comunicarse con su vendedor.

## SI ESTE PRODUCTO ES PARA SER USADO FUERA DE LOS EE.UU. O CANADÁ

**▲ ADVERTENCIA** Si desea utilizar este producto con gas Líquido de Propano (LP) que contiene más de 10% de butano, usted deberá adquirir el kit del accesorio de conversión a Propano HA nº ZXBUPR01. Para pedir, llame al 1.888.664.8403 o 1.787.276.4051. No hacerlo puede provocar un peligro de monóxido de carbono o de incendio.

## COMBINACIONES DE CAPUCHAS DE VENTILACIÓN

Se requiere una campana superior de ventilación adecuada para los modelos con parrilla y también se recomienda para todo los demás modelos.

Debido a la elevada capacidad de calor de esta unidad, debe prestarse especial atención a la instalación de la capucha y de la red de conductos para garantizar que cumpla con los códigos de construcción locales.

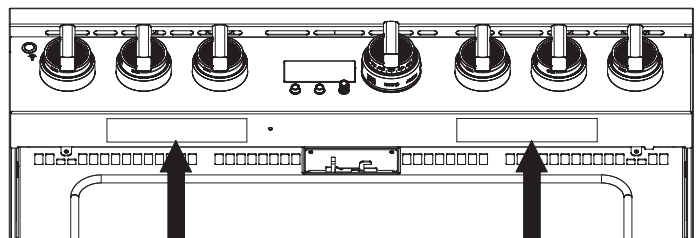
Distancias respecto de superficies horizontales sobre la estufa, medidas en relación a la superficie de cocción. No cumplir con esto puede provocar un peligro de incendio.

- Las instalaciones sin campana requieren un mínimo de 48" en relación a los combustibles, excepto el modelo ZDP486 con el cual se requiere un a campana de ventilación adecuada.
- Una instalación de capucha a medida con superficies expuestas horizontales combustibles debe contar con una función de encendido automático.
- Para otras instalaciones con una capucha, consulte las instrucciones de instalación de capuchas sobre espacios específicos para capuchas.

**▲ PRECAUCIÓN** Estas estufas pesan hasta 700 libras. Desmontar algunos elementos reducen su peso en forma considerable. Debido al peso y tamaño de la estufa y para reducir el riesgo de lesiones personales o daños al producto:

SE REQUIEREN DOS PERSONAS PARA UNA INSTALACIÓN ADECUADA DE LAS ESTUFAS DE 36" Y 30".

SE REQUIEREN TRES PERSONAS PARA UNA INSTALACIÓN ADECUADA DE LAS ESTUFAS DE 48".



Ubicación de la Etiqueta de Especificaciones Técnicas

# LEA Y GUARDE ESTAS INSTRUCCIONES

# Contenidos

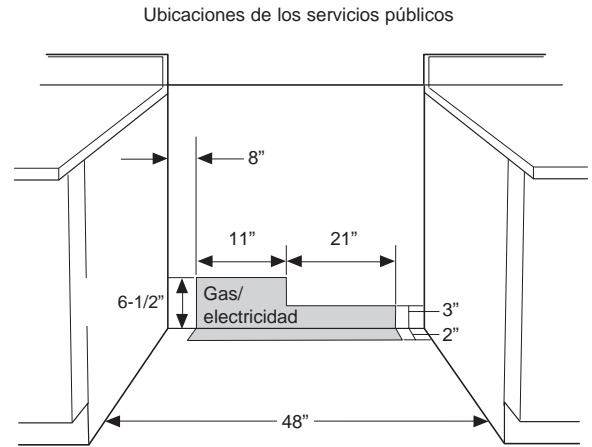
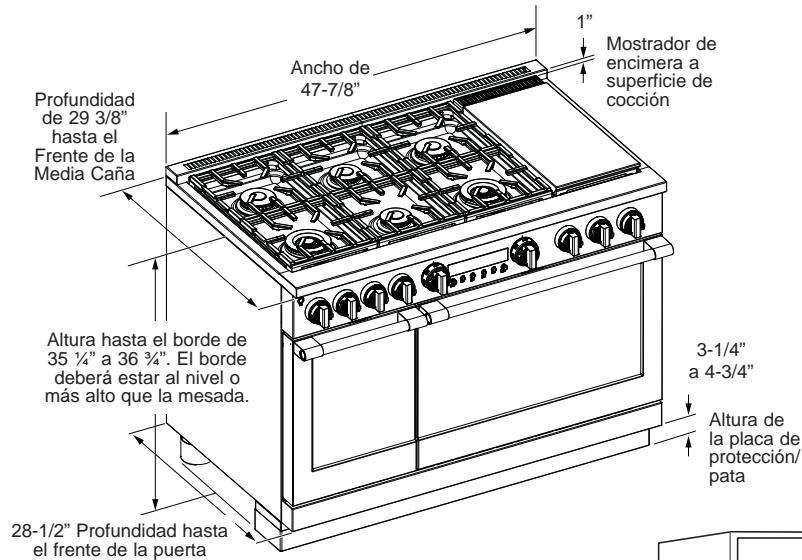
## CONTENIDOS

<b>Información de Seguridad</b> .....	2	Conversión a Gas Propano (LP) o Conversión Nuevamente a Gas Natural desde Propano (LP).....	13
<b>Información de diseño</b>		Suministro de Gas.....	13
Dimensiones y Espacios del Producto.....	5	Conexiones Eléctricas.....	14
<b>Información de instalación</b>		Coloque la Estufa en su Posición.....	14
Kit Para Altitudes Elevadas.....	9	Nivele la Estufa.....	15
Materiales Provistos.....	9	Reemplace las Puertas del Horno.....	15
Materiales Requeridos (no provistos).....	9	Controle los Quemadores.....	16
Herramientas Requeridas.....	9	Controle las Cabezas de los Quemadores.....	16
<b>Instalación</b>		Finalice la Instalación.....	16
Quite el Empaque.....	10	Una Vez Completadas Todas las Conexiones.....	16
Traslade la Estufa al Interior.....	11	<b>Instalación de accesorios</b>	
Instale el Dispositivo Anti-Volcaduras.....	12	Placa de Protección (incluida).....	17

# Información de diseño

## DIMENSIONES Y ESPACIOS DEL PRODUCTO

### Modelos de estufa de 48"



### ⚠️ ADVERTENCIA

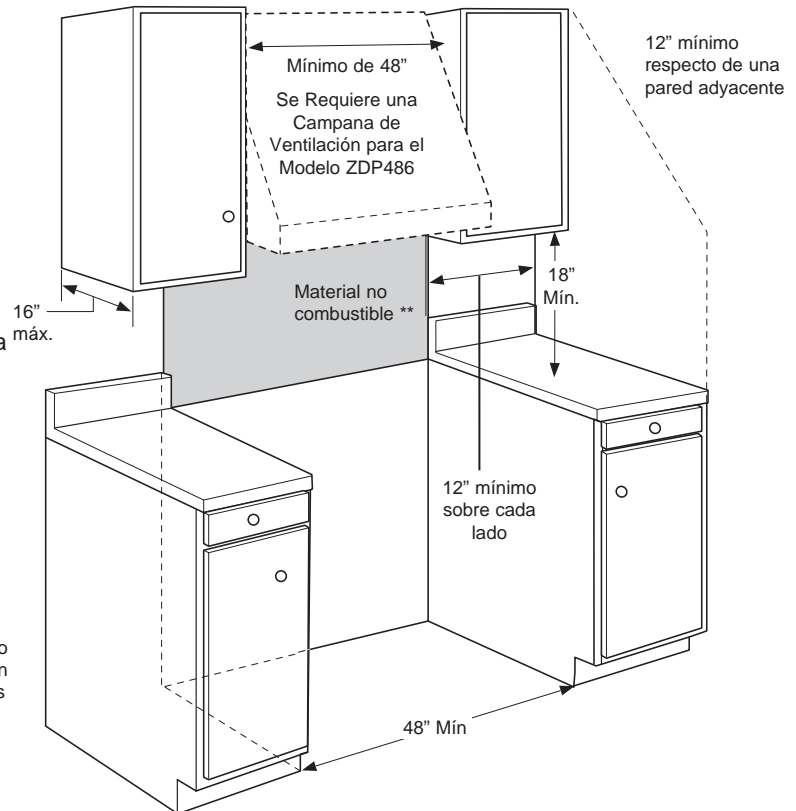
Se requiere una campana de ventilación en la parte superior para el modelo ZDP486. Una instalación de capucha a medida con superficies expuestas horizontales combustibles debe contar con una función de encendido automático. Consulte las instrucciones de instalación de la capucha para obtener espacios específicos de las capuchas.

La superficie de toda la pared trasera sobre la estufa y debajo de la campana deberá estar cubierta con un material no combustible tal como metal, azulejos de cerámica, ladrillo, mármol u otra piedra.

### ⚠️ PRECAUCIÓN

Para evitar que una corriente de aire afecte el funcionamiento del quemador, selle todas las aberturas sobre el piso debajo del electrodoméstico y detrás de la pared del mismo.

\*\* De acuerdo con lo definido por el National Fuel Gas Code (Código Nacional de Gas Combustible) (ANSI Z223.1/CSA B149.1, Edición Actual). Los espacios de despeje para materiales no combustibles no están dentro del alcance del ANSI Z21.1/CSA 1.1 y no están certificados por CSA. Los espacios de despeje inferiores a 12" deberán ser aprobados por los códigos locales y/o por la autoridad con jurisdicción.

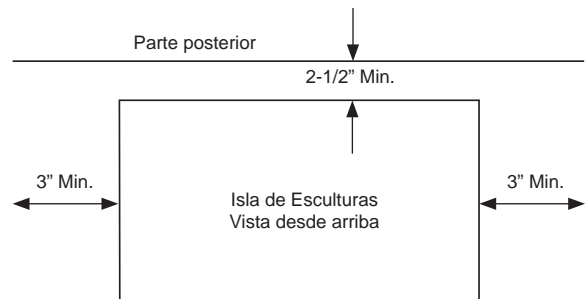


### ESPACIOS ADICIONALES:

Deje un espacio mínimo de 12" respecto de una pared adyacente sobre cada lado.

Las áreas de trabajo adyacentes a la estufa deben contar con un espacio mínimo de 18" entre el mostrador de encimera y la parte inferior del gabinete de pared.

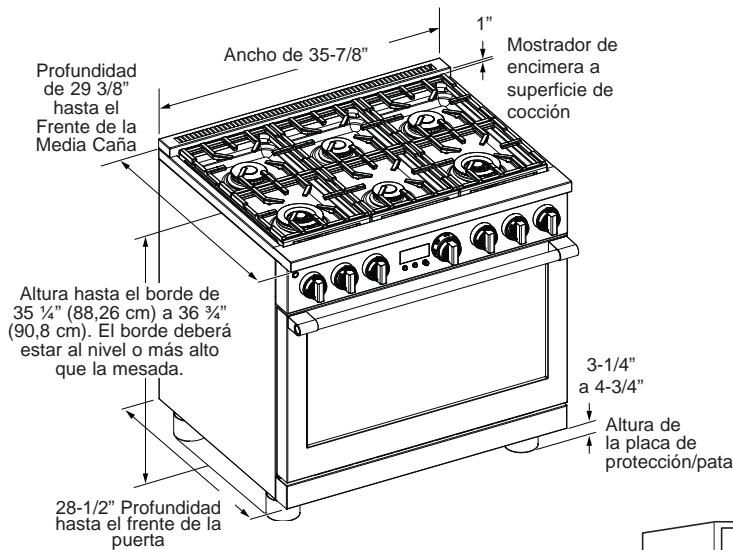
Para la instalación de la isla, deje un espacio mínimo de 2-1/2" entre la abertura y el extremo trasero de la mesada y un mínimo de 3" entre la abertura y los extremos laterales de la mesada (ver la vista superior).



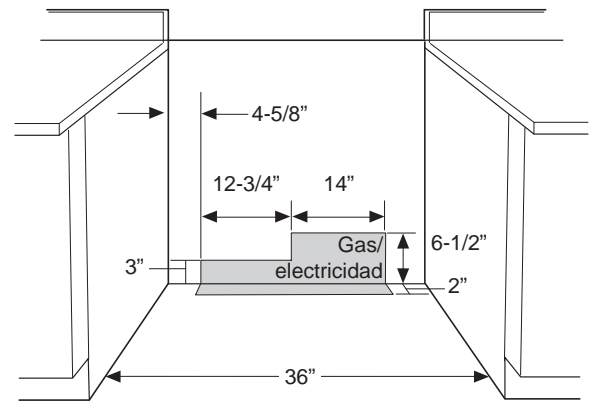
# Información de diseño

## DIMENSIONES Y ESPACIOS DEL PRODUCTO

### Modelos de estufa de 36"



### Ubicaciones de los servicios públicos



### ⚠ ADVERTENCIA

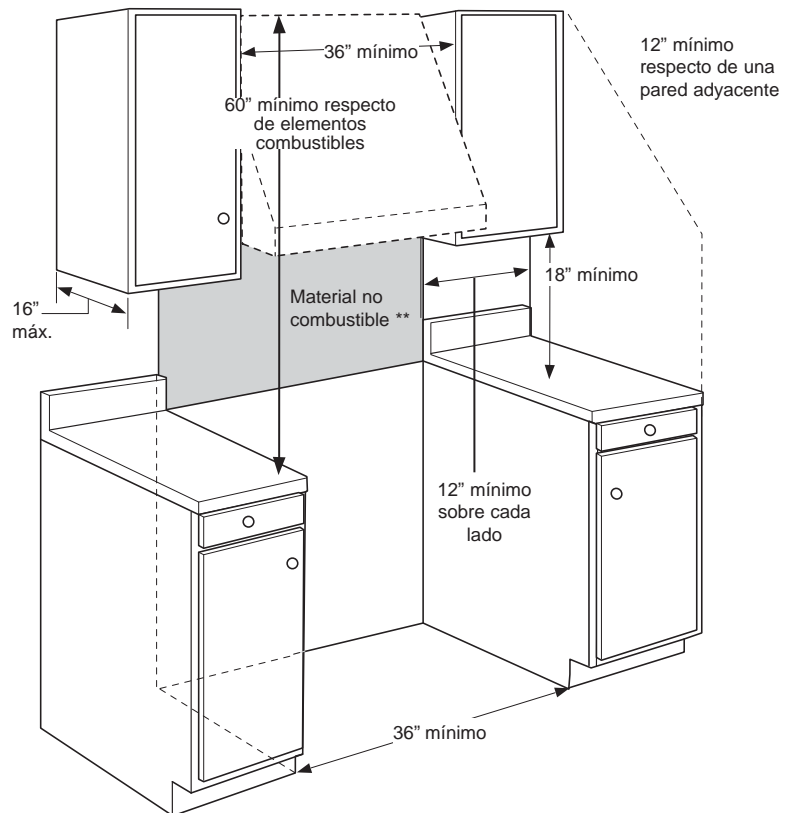
Las instalaciones sin capucha requieren un mínimo de 60" respecto de elementos combustibles. Una instalación de capucha a medida con superficies expuestas horizontales combustibles debe contar con una función de encendido automático. Consulte las instrucciones de instalación de la capucha para obtener espacios específicos de las capuchas.

La superficie de toda la pared trasera sobre la estufa y debajo de la campana deberá estar cubierta con un material no combustible tal como metal, azulejos de cerámica, ladrillo, mármol u otra piedra.

### ⚠ PRECAUCIÓN

Para evitar que una corriente de aire afecte el funcionamiento del quemador, selle todas las aberturas sobre el piso debajo del electrodoméstico y detrás de la pared del mismo.

\*\* De acuerdo con lo definido por el National Fuel Gas Code (Código Nacional de Gas Combustible) (ANSI Z223.1/CSA B149.1, Edición Actual). Los espacios de despeje para materiales no combustibles no están dentro del alcance del ANSI Z21.1/CSA 1.1 y no están certificados por CSA. Los espacios de despeje inferiores a 12" deberán ser aprobados por los códigos locales y/o por la autoridad con jurisdicción.

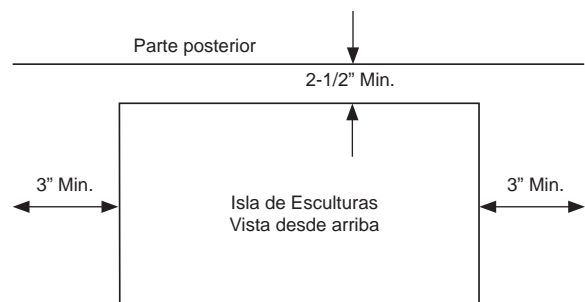


### ESPACIOS ADICIONALES:

Deje un espacio mínimo de 12" respecto de una pared adyacente sobre cada lado.

Las áreas de trabajo adyacentes a la estufa deben contar con un espacio mínimo de 18" entre el mostrador de encimera y la parte inferior del gabinete de pared.

Para la instalación de la isla, deje un espacio mínimo de 2-1/2" entre la abertura y el extremo trasero de la mesada y un mínimo de 3" entre la abertura y los extremos laterales de la mesada (ver la vista superior).

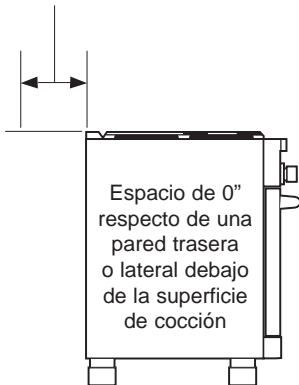
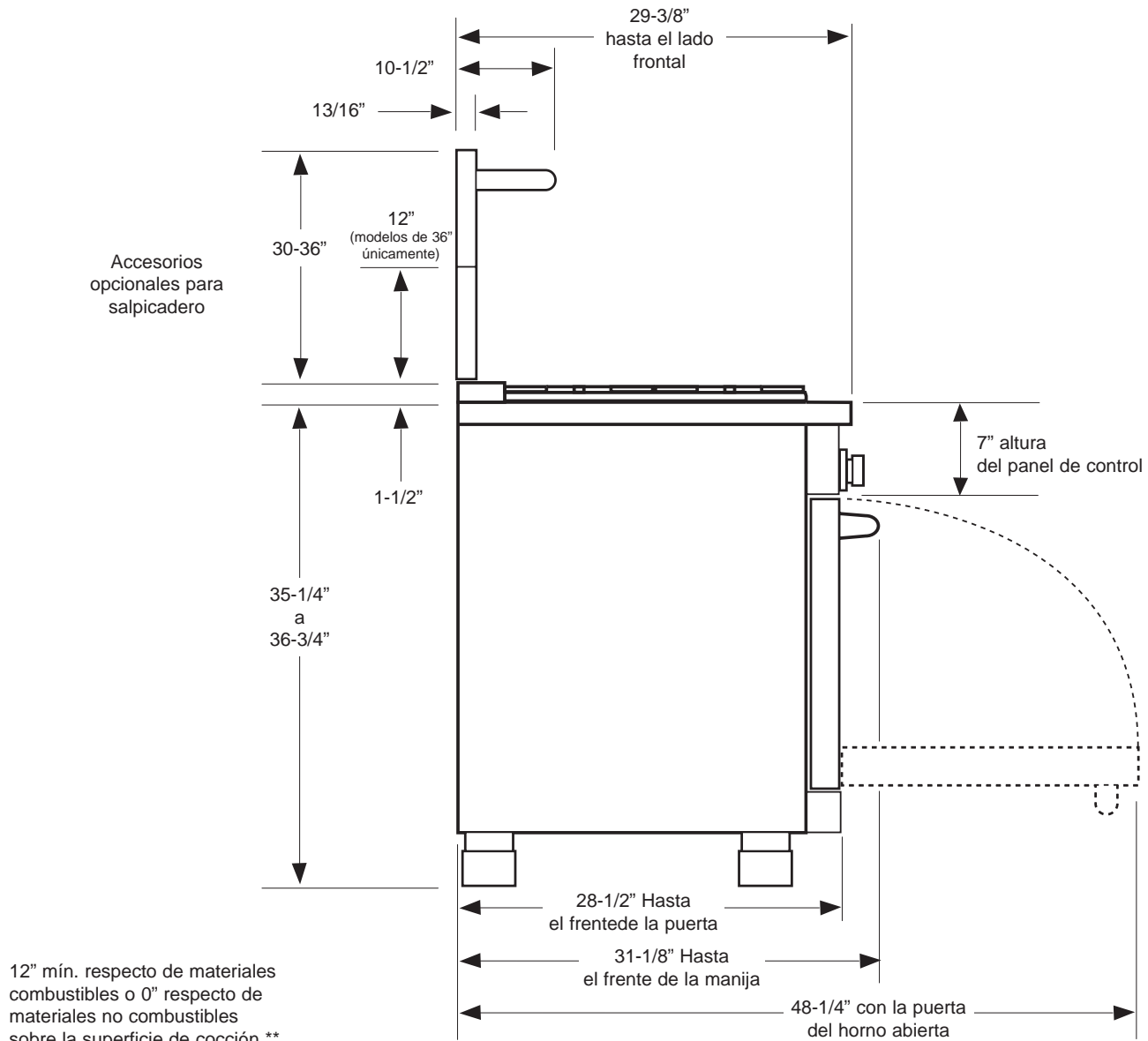




# Información de diseño

## DIMENSIONES Y ESPACIOS DEL PRODUCTO

Modelos de estufas de 48", 36" y 30"



\*\* De acuerdo con lo definido por el National Fuel Gas Code (Código Nacional de Gas Combustible) (ANSI Z223.1/CSA B149.1, Edición Actual). Los espacios de despeje para materiales no combustibles no están dentro del alcance del ANSI Z21.1/CSA 1.1 y no están certificados por CSA. Los espacios de despeje inferiores a 12" deberán ser aprobados por los códigos locales y/o por la autoridad con jurisdicción.

### ⚠ ADVERTENCIA

El accesorio para salpicadero de acero inoxidable de 12" de altura debe instalarse en combinación con un salpicadero no combustible a medida.

El salpicadero terminado debe cubrir toda la pared trasera hasta la parte inferior de una capucha, o cuando no haya una capucha, 48" respecto de elementos combustibles.

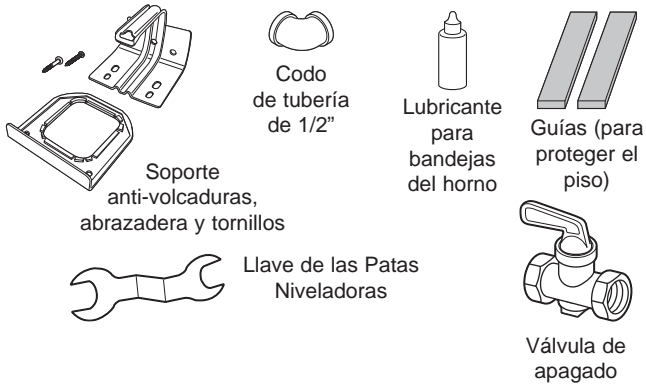
(El accesorio del tablero posterior de acero inoxidable de 12" sólo está disponible para el modelo de 36")

# Información de instalación

## INSTALACIÓN EN ALTITUD ELEVADA

A más de 6000 pies, el producto configurado para gas natural o gas propano requerirá la instalación del kit (WB28X39726 para gas natural y WB28X39727 para gas propano). Siga las instrucciones provistas con el kit.

## MATERIALES PROVISTOS



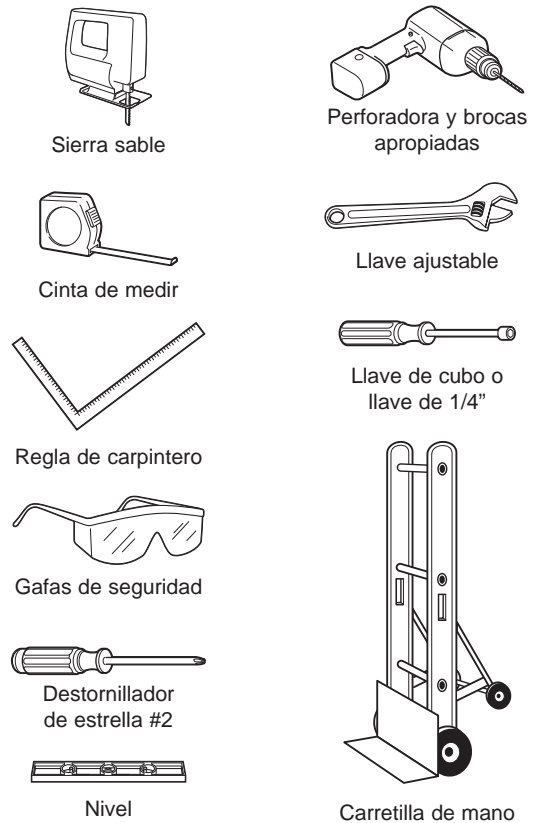
## MATERIALES REQUERIDOS (no provistos)



Longitud máxima de 5 pies, 5/8" DE. Suministro de gas de metal flexible aprobado por CSA

**NOTA:** Adquiera una línea flexible nueva; no utilice una línea de gas flexible previamente usada.

## HERRAMIENTAS REQUERIDAS



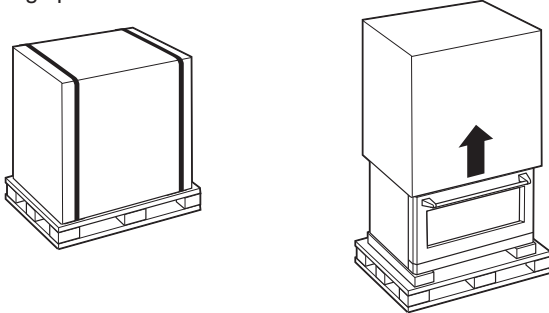
# Instalación

## 1 QUITAR EL EMPAQUE

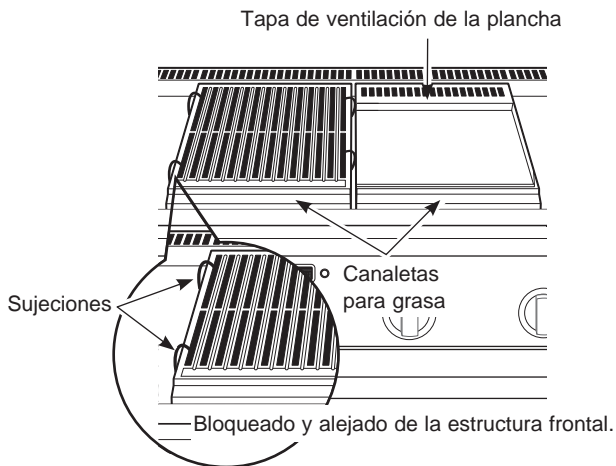
### ⚠ PRECAUCIÓN

Mantenga una distancia prudencial.

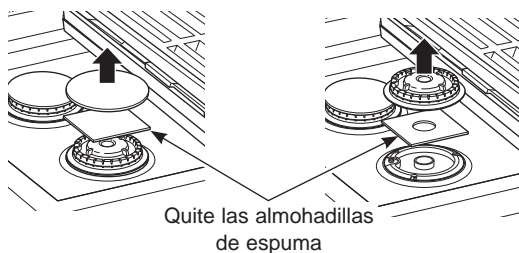
Cuando se cortan, los extremos de los precintos de metal pueden golpearlo.



- Corte los precintos de metal. Levante la caja hacia arriba.
- Ubique las dos guías en la parte superior del empaque. Estas guías se utilizarán para proteger el piso de la estufa durante la instalación.
- Quite las protecciones de las esquinas. Deseche todo el material de empaque.
- Quite las tapas de la parrilla/plancha, la rejilla de la parrilla y las rejillas de los quemadores.
- Levante y quite la tapa de ventilación de la plancha de hierro fundido, las canaletas para grasa y las almohadillas.
- Corte las sujeciones que sostienen la rejilla de la parrilla al armazón de la parrilla.

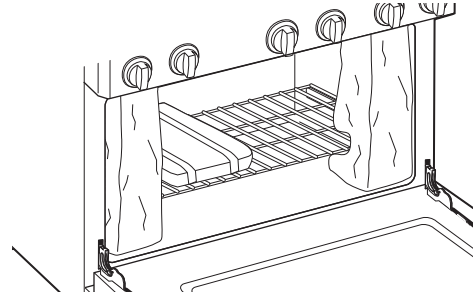


- Levante las tapas de los quemadores y quite las almohadillas de espuma, luego levante los cabezales de los quemadores y quite las almohadillas de espuma.



Quite las almohadillas de espuma

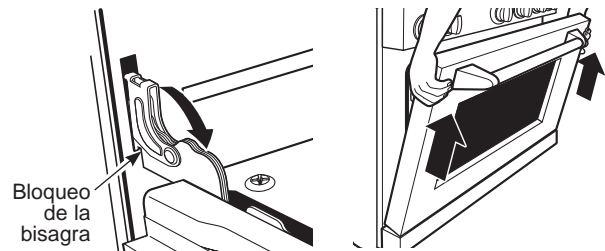
- Abra la(s) puerta(s) del horno y quite los elementos de empaque. Quite la asadera que sostiene el estante, la cinta, el paquete con las instrucciones, el lubricante de bandejas y la sonda.



### ⚠ PRECAUCIÓN

Las puertas y pasillos que lleven a la ubicación de la instalación requieren de una abertura de por lo menos 32". Si la abertura es menor a los 32", deben quitarse la(s) puerta(s) del horno y las perillas de control.

QUITAR LA(S) PUERTA(S) DEL HORNO SÓLO SI ES NECESARIO para trasladar la estufa a través de las puertas. Para evitar daños a los lados de la estufa, será necesario colocar almohadillas en las esquinas debajo de las cintas de la carretilla de mano.



### Para quitar la(s) puerta(s) del horno:

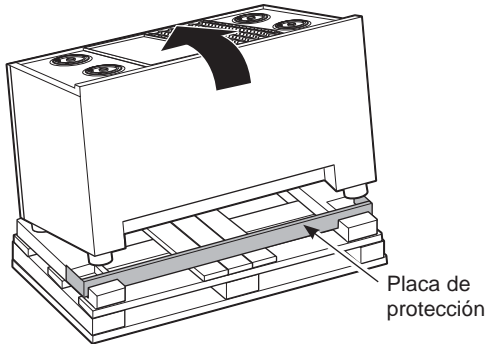
- Abra la puerta por completo.
- Cada bisagra cuenta con un bloqueo de bisagra. Empuje la bisagra hacia usted.
- Tome firmemente la puerta de los lados superiores.
- Cierre la puerta hasta una posición casi vertical.
- Levante la puerta hacia arriba y hálala hacia afuera.



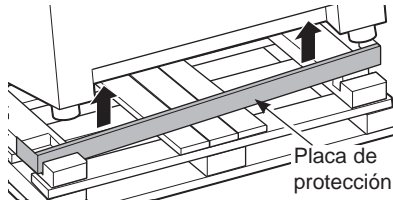
# Instalación

## 2 TRASLADAR LA ESTUFA AL INTERIOR

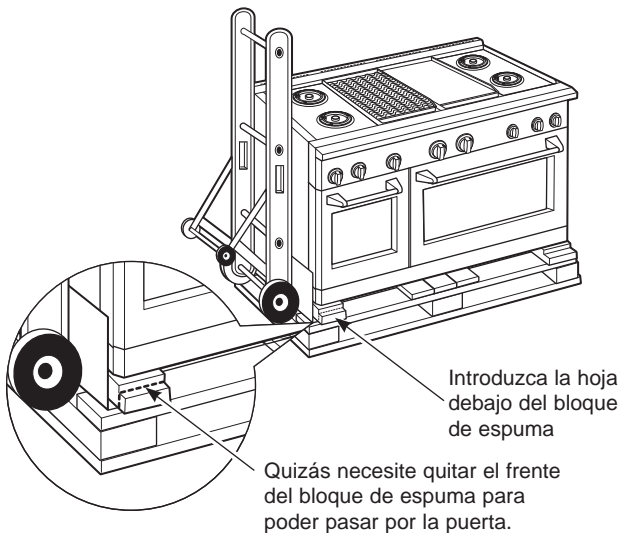
1. Incline la estufa hacia adelante sobre el patín.



2. Quite la placa de protección de la base de espuma.



3. Coloque la hoja de la carretilla de mano debajo del bloque de espuma.

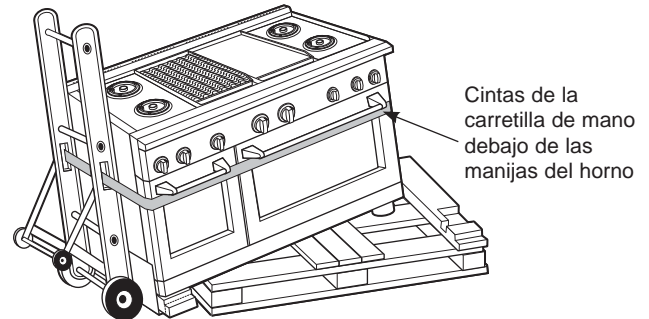


**IMPORTANTE:** No retire el bloque de espuma de la base mientras la carretilla elevadora se encuentre en uso. Coloque la hoja de la carretilla elevadora debajo del bloque de espuma de la base y transporte la sierra hasta la ubicación final.

4. Sujete las correas de la carretilla de mano alrededor de la unidad.

**IMPORTANTE:** Coloque las cintas de la carretilla de mano debajo de las manijas de la puerta del horno. A fin de evitar dañar los paneles laterales, coloque una almohadilla entre la carretilla de mano y la estufa.

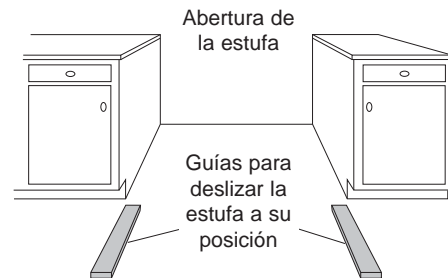
5. Incline la estufa para bajar las ruedas de la carretilla de mano del patín.



6. Coloque las guías del aparato sobre el piso en los lados izquierdo y derecho en frente de la abertura.

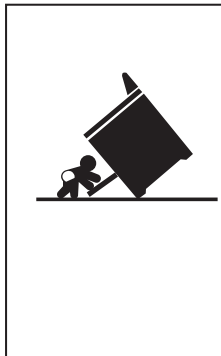
**IMPORTANTE:** Las guías brindan una superficie para deslizar la estufa a su posición final y protegen el acabado del piso. Las guías deben quitarse antes de nivelar la estufa.

7. Traslade la estufa al interior. Coloque la estufa frente a la ubicación de la instalación, sobre las guías.



# Instalación

## 3 INSTALE EL DISPOSITIVO ANTI-VOLCADURAS



### ⚠ ADVERTENCIA

#### Riesgo de Caída

- Un niño o adulto pueden volcar la cocina y morir.
- Instale el soporte anti-volcaduras sobre la pared o el piso.
- Asegúrese la estufa al soporte anti-volcaduras deslizando la unidad hacia atrás de tal manera que la pata niveladora sea enganchada.
- Vuelva a adherir el soporte anti-volcaduras si la estufa se mueve de lugar.
- Si esto no se hace, se podrá producir la muerte o quemaduras graves en niños o adultos.

Para reducir el riesgo de volcar la estufa, ésta debe sujetarse mediante un soporte anti-volcaduras con una adecuada instalación. Ver las instrucciones de instalación enviadas con el soporte para obtener detalles completos antes de iniciar la instalación.

Para controlar que el soporte esté instalado y sujetado de forma adecuada, observe la parte inferior de la estufa. El soporte anti-Volcaduras se debe insertar en la abertura correspondiente a la abrazadera anti-volcaduras de la estufa. Si el brazo del soporte pierde la abrazadera en la parte izquierda o derecha, o si el brazo del soporte no sobresale a través de la apertura de la abrazadera, la abrazadera se deberá volver a instalar.

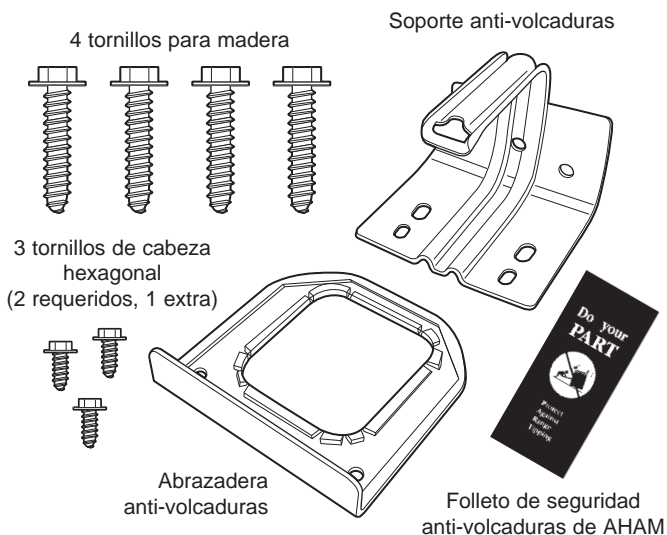
Si la estufa se separa de la pared por cualquier razón, siempre repita este procedimiento para verificar que la estufa esté bien sujeta mediante el soporte anti-volcaduras.

Si su estufa no cuenta con un soporte anti-volcaduras, llame al 1.800.626.8774 para recibir uno sin costo alguno.

Si el dispositivo anti-volcaduras suministrado con la estufa no es apto para la aplicación, utilice el dispositivo anti-volcaduras WB2X7909.

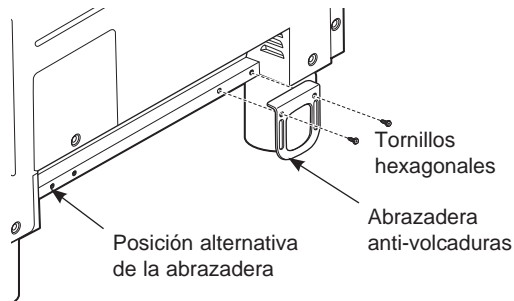
Lea el Folleto de seguridad anti-volcaduras de AHAM enviado con el soporte.

#### Piezas anti-volcaduras provistas



- Sujete la abrazadera anti-volcaduras a la parte inferior de la estufa en el área empotrada. Instale 2 tornillos hexagonales (provistos) a través de la abrazadera y dentro de la estufa.

**NOTA:** Este dispositivo anti-volcaduras puede instalarse en el lado opuesto de la estufa.



- Mida y marque Dimensión A (vea la tabla abajo) desde el lado izquierdo (o derecho) de la ubicación de la instalación. Si el mostrador de encimera tiene una saliente, agregue esa dimensión a Dimensión A.

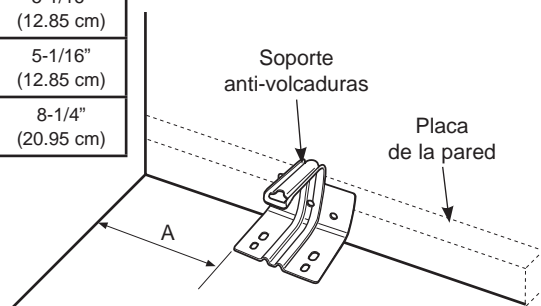
- Coloque el soporte anti-volcaduras contra el piso y pared trasera en la ubicación marcada. Marque los orificios de los tornillos para sujetar el soporte a la placa de la pared y el piso.

- Perfore orificios piloto de 1/8" a un ángulo de 20°.

- Sujete el soporte a la pared y/o piso mediante por lo menos 2 tornillos para madera (provistos).

**Para construcciones de concreto o cemento:** Deben utilizarse elementos de sujeción apropiados (no provistos).

La Estufa	A
30" (76 cm)	5-1/16" (12.85 cm)
36" (91 cm)	5-1/16" (12.85 cm)
48" (121 cm)	8-1/4" (20.95 cm)

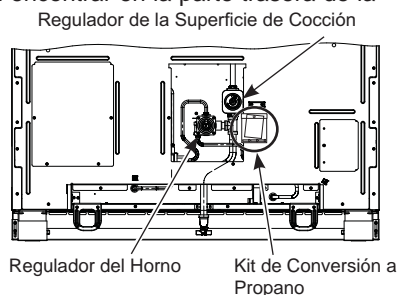


# Instalación

## 4 CONVERTIR A PROPANO (LP) O CONVERTIR NUEVAMENTE A GAS NATURAL DESDE PROPANO (LP)

Esta estufa deja la configuración de fábrica para uso con gas natural. Si desea realizar la conversión a propano (LP), la conversión deberá ser realizada por un instalador de gas propano (LP) calificado. Los orificios de conversión y las instrucciones se podrán encontrar en la parte trasera de la estufa.

Guarde estas instrucciones y todo orificios en caso de que lo desee convertir nuevamente a gas natural. **NOTA:** La ubicación varía de acuerdo al modelo.



## 5 SUMINISTRO DE GAS

**▲ADVERTENCIA** Riesgo de incendio: No use una llama para controlar las pérdidas de gas.

**▲ADVERTENCIA** Riesgo de Explosión: No supere una torsión máxima de 25 pies-libras al realizar conexiones de tuberías de gas. Cualquier ajuste en exceso podrá dañar el regulador de presión, resultando en riesgo de incendio o explosión.

### Regulador de Presión de Gas

Se deberá usar el regulador de presión de gas suministrado con esta estufa. Para un funcionamiento adecuado, la presión de entrada al regulador deberá ser la siguiente:

#### Gas Natural:

Presión mínima: Columna de Agua de 6"

Presión máxima: Columna de Agua de 13"

#### Gas Propano:

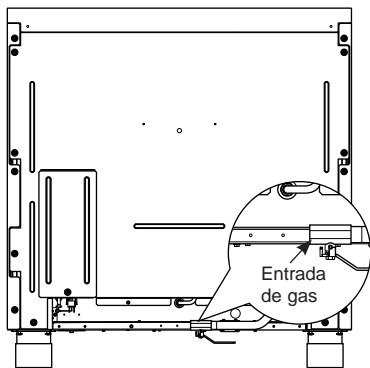
Presión mínima: Columna de Agua de 11"

Presión máxima: Columna de Agua de 13"

Si no está seguro sobre cuál es la presión de entrada, comuníquese con el proveedor de gas local.

**NOTA:** Se envía con esta estufa una válvula de cierre, y la misma se deberá instalar en la parte trasera de la estufa,

cerca del piso con la manija mirando hacia abajo. Esta llave de cierre se debe usar en caso de necesitar realizar el servicio técnico. Para acceder a la válvula de cierre, retire el panel del zócalo y acceda a la parte inferior de la estufa. Se brinda un codo opcional de 1/2" para la conexión a la entrada de gas de la estufa.



## 5 SUMINISTRO DE GAS (Cont.)

Cierre la válvula principal de suministro de gas antes de desconectar su vieja estufa y deje la misma apagada hasta que la nueva conexión se haya completado. **No olvide volver a encender el piloto en otros electrodomésticos a gas cuando vuelva a encender el gas.**

Debido a que las tuberías duras restringen el movimiento de la estufa, se recomienda el uso del conector para electrodomésticos de metal flexible con certificación internacional de CSA, a menos que los códigos locales requieran una conexión de tubería dura.

Si se usa el método de tubería dura, deberá alinear la misma con cuidado; la estufa no se podrá mover una vez realizada la conexión.

A fin de evitar pérdidas de gas, coloque el sellador de roscas de tuberías, o envuelva la cinta para roscas de tuberías con Teflón\* alrededor de todas las roscas de tubería macho (externas).

- Instale una válvula de cierre manual de la línea de gas en la línea de gas, en una ubicación de fácil acceso fuera de la estufa. Asegúrese de que todas las personas que usen la estufa sepan dónde y cómo cerrar el suministro de gas de la estufa.
- Instale el adaptador para uniones cónicas macho de 1/2" a la rosca interna de NPT de 1/2" en la entrada de la válvula de cierre de la estufa. Use la llave de repuesto en la válvula de cierre para evitar daños.
- Instale el adaptador para uniones cónicas macho de 1/2" o 3/4" a la rosca interna de NPT de la válvula de cierre del hogar, procurando evitar que la válvula de cierre no gire.
- Conecte el conector de metal flexible del electrodoméstico al adaptador de la estufa. Posicione la estufa para permitir la conexión en la válvula de cierre del hogar.
- Cuando todas las conexiones se hayan realizado, asegúrese de que todos los controles de la estufa estén en la posición de apagado y encienda la válvula de suministro principal de gas. Use un detector de pérdida de líquido en todas las conexiones de gas, a fin de controlar pérdidas en el sistema.

Al usar presión superior a 1/2 psig para controlar la presión del sistema de suministro de gas de la residencia, desconecte la estufa y la válvula de cierre individual de la tubería de suministro de gas. Al usar las presiones de prueba de 1/2 psig o menos para controlar el sistema de suministro de gas, simplemente aisle la estufa del sistema de suministro de gas, cerrando la válvula de cierre individual.

Al controlar el funcionamiento adecuado del regulador, la presión de entrada deberá ser por lo menos 1" mayor que la presión de funcionamiento (tubo) como en la etiqueta de calificación del producto.

\*Teflón: Marca registrada por DuPont

# Instalación

## 6 CONEXIONES ELÉCTRICAS

### ⚠ ADVERTENCIA

**Riesgo de Descarga:** Este electrodoméstico deberá estar conectado a tierra de forma adecuada. Si no cumple con esto se podrán producir descargas eléctricas.

Requisitos Eléctricos - Circuito específico de 120 voltios, 60 Hertz, correctamente conectado a tierra por un disyuntor de 15 o 20 amperes o fusible de retraso.

**NOTA:** No se recomienda para este producto el uso de interruptores automáticos, inalámbricos o con cableado externo que apagan la corriente del electrodoméstico.

### Conexión a Tierra

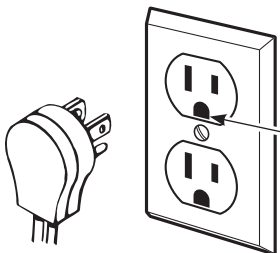
El cable de corriente de este electrodoméstico cuenta con un enchufe de 3 patas (conexión a tierra) que se conecta a un tomacorriente de pared estándar de 3 cables para minimizar la posibilidad de riesgos de descargas eléctricas por parte del mismo.

El cliente deberá contratar a un electricista calificado para que controle el circuito, a fin de asegurar que el tomacorriente esté correctamente conectado a tierra.

En caso de contar con un tomacorriente de pared de 2 cables, es la responsabilidad y obligación del cliente reemplazarlo por un tomacorriente de pared de 3 cables correctamente conectado a tierra.

**NUNCA, BAJO NINGUNA CIRCUNSTANCIA, CORTE NI ELIMINE EL TERCER CABLE (TIERRA) DEL CABLE DE CORRIENTE. NO USE UN ADAPTADOR. NO USE UN PROLONGADOR.**

No se requieren ni se recomiendan Interruptores con Detección de Falla a Tierra (GFCI) en receptáculos de estufas a gas. El funcionamiento de la estufa no se verá afectado si se utiliza en un circuito GFCI protegido, pero es posible que se produzcan detenciones ocasionales no deseadas del interruptor GFCI.



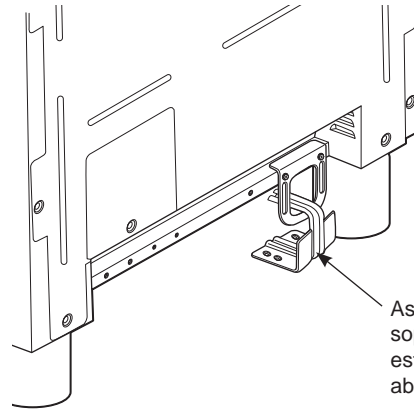
Asegúrese de contar con una conexión a tierra adecuada antes de usar.

## 7 COLOQUE LA ESTUFA EN SU POSICIÓN

### ⚠ ADVERTENCIA

El soporte anti-volcaduras debe instalarse adecuadamente para evitar la volcadura accidental de la estufa. No hacerlo puede provocar daños o lesiones graves.

- Asegúrese de que las guías del aparato se encuentren debajo de las ruedas.
- La estufa se envía con la ruedas en la posición baja. Con mucho cuidado deslice la estufa a su posición, asegurándose de no enroscar o pellizcar el cable de energía y la tubería flexible de gas.
- Quite las guías ubicadas debajo de la estufa.



Asegúrese de que el soporte anti-volcaduras esté sujeto a la abrazadera de la estufa.

# Instalación

## 8 NIVELE LA ESTUFA

### ▲ADVERTENCIA

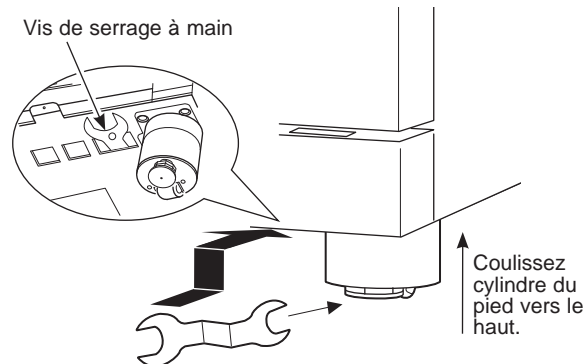
La estufa debe estar nivelada y sostenida por las patas, no por las ruedas. La estufa podría desplazarse si las ruedas hacen contacto con el piso. Asegúrese de que todas las patas estén en contacto con el piso en cualquier instalación.

- Todas las patas deben nivelarse después de que el producto se haya instalado.
- Asegúrese de que los gabinetes/mostradores de encimera cercanos se encuentren nivelados, desde el frente a la parte trasera y de izquierda a derecha a lo largo de la abertura de la estufa.
- Mida la distancia desde el piso hasta el extremo superior del mostrador de encimera en las esquinas traseras izquierda y derecha.
- Ajuste la altura de la estufa a la altura del mostrador de encimera o a una altura superior.

**IMPORTANTE:** Esta estufa siempre debe instalarse a la altura del mostrador de encimera o a una altura superior. **NO INSTALE LA ESTUFA POR DEBAJO DE LA ALTURA DEL MOSTRADOR DE ENCIMERA ADYACENTE.** Esta estufa debe hallarse sostenida por las 4 patas, independientemente de la altura del mostrador de encimera.

### AJUSTE DE LAS PATAS DELANTERAS

- El aparato cuenta con una llave para nivelar las patas. Ubique la misma debajo del frente de la estufa, cerca de la pata derecha. Ubique y quite un tornillo de apriete manual y luego saque la llave de la ranura.
- Deslice el cilindro frontal hacia arriba para acceder a las patas niveladoras frontales. Tenga cuidado de no dañar el cilindro.



- Use la llave suministrada para ajustar las patas niveladoras frontales. Gire en dirección de las agujas del reloj para extender las patas a fin de elevar y estabilizar la estufa. Gire en dirección contraria a las agujas del reloj para retraer las patas y permitir que la estufa se apoye sobre sus ruedas.
- Asegúrese de volver a colocar la llave en su ranura de almacenamiento para usos posteriores.

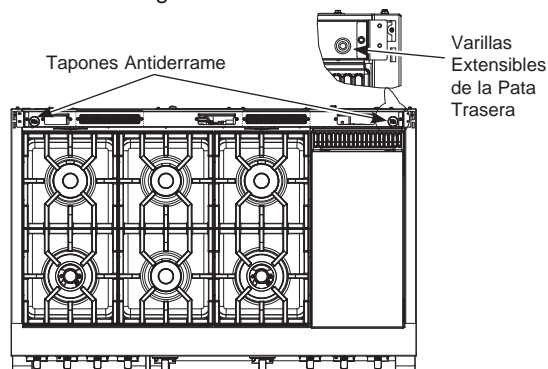
## 8 NIVELE LA ESTUFA (cont.)

### AJUSTE DE LAS PATAS TRASERAS

### ▲ADVERTENCIA

A fin de reducir el riesgo de incendios o descargas eléctricas, siempre vuelva a colocar los tapones antiderrame en los agujeros de la varilla de nivelación.

- Quite dos tornillos del reborde de ventilación trasero. Deslice el reborde de ventilación hacia adelante y luego levántelo.
- Retire los 2 tapones antiderrame para ubicar las varillas de nivelación extensibles de la pata trasera. Use una llave de tubo o destornillador de 1/4" para ajustar las patas traseras izquierdas o derechas.
- Busque las dos varillas de extensión de las patas traseras. Utilice una llave de cubo o llave de 1/4" para ajustar las patas traseras izquierda o derecha.
- Vuelva a colocar los 2 tapones antiderrame y luego vuelva a colocar el borde de ventilación trasero utilizando los tornillos originales.



## 9 REEMPLACE LAS PUERTAS DEL HORNO

Saltee este paso si las puertas del horno se encuentran en su lugar.

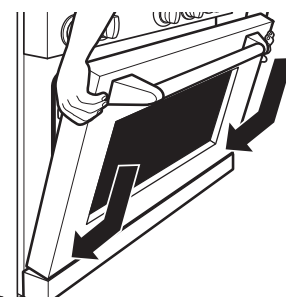
**IMPORTANTE:** No levante la puerta tomándola de la manija.

**Para reemplazar las puertas del horno:**

- Tome firmemente la puerta de los lados superiores. Esto es fundamental.
- Acérquese a la estufa con la puerta en posición vertical.
- Guíe las bisagras dentro de las ranuras.
- Presione la puerta firmemente hacia adentro mientras la abre.
- Una vez que esté en su posición, abra la puerta por completo. Presione las trabas de la bisagra hacia adentro y hacia el armazón frontal.

### ▲PRECAUCIÓN

Tenga cuidado al reemplazar las puertas del horno. Si la traba de la bisagra no se encuentra bien bloqueada, la bisagra puede saltar y separarse. Si la bisagra se separa, debe aplicarse presión (posiblemente con el pie) para unirla y enganchar de nuevo la traba de la bisagra.



# Instalación

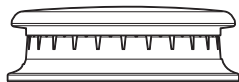
## 10 CONTROLE LOS QUEMADORES

### ⚠ ADVERTENCIA

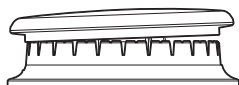
Riesgo de Incendio o Explosión:

No use el quemador sin que todas las partes de los quemadores estén en sus respectivos lugares.

- A. **Quemadores** - Coloque las cabezas de los quemadores en las posiciones correspondientes en la placa de cocción.
- B. **Tapas** - Coloque las tapas en los quemadores de los tamaños correspondientes.
- C. **Rejillas** - Las rejillas izquierda y derecha son intercambiables. Coloque las rejillas en la placa de cocción.



Tapa del quemador bien colocada



Tapa del quemador mal colocada

## 11 CONTROLE LAS CABEZAS DE LOS QUEMADORES

Presione y gire la perilla a la posición LITE (Luz). Un sonido de clic indica el correcto funcionamiento del sistema de encendido. Al iluminar cualquier quemador, se producirán chispas en todos los quemadores pero sólo saldrá gas del que fue seleccionado. Una vez que el aire se haya purgado de la línea de suministro, el quemador se deberá encender dentro de los 4 segundos. Luego de que el quemador se encienda, gire la perilla fuera de la posición LITE (Luz). Pruebe cada quemador de forma sucesiva hasta que todos los quemadores hayan sido controlados.

### Calidad de las Llamas

Determine la calidad de las llamas de forma visual. Las llamas normales de los quemadores se deberán ver como (A) o (B).



(A) Llamas azul suave — Normal para gas natural



(B) Puntas amarillas en conos externos — Normal para el gas propano (LP)

Las llamas largas de color amarillo brillante no son normales. Las llamas normales podrán mostrar signos de un tinte anaranjado cuando estén bien quemadas, o signos de anaranjado parpadeante debido a las partículas del gas o del aire.

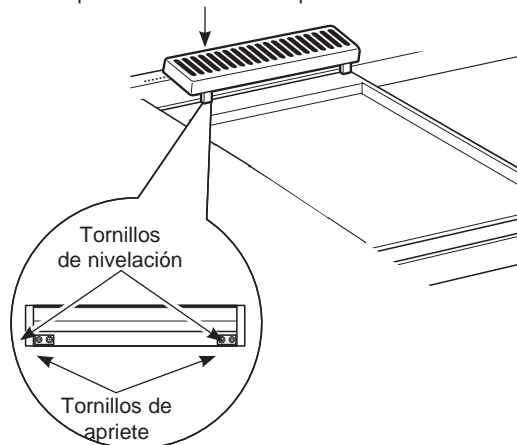
## FINALICE LA INSTALACIÓN

Coloque las rejillas de los quemadores sobre los quemadores. Las rejillas deben estar bien asentadas y no deben moverse.

La plancha se halla sujeta con tornillos. Se encuentra diseñada para permanecer en un lugar fijo y no debe quitarse.

La plancha cuenta con dos tornillos de nivelación debajo de tapa de ventilación trasera que pueden usarse para ajustar la inclinación deseada.

Tapa de ventilación de la plancha



Los dos tornillos internos son tornillos de apriete para asegurar la plancha en su lugar. Afloje los dos tornillos antes de nivelar. No quite estos dos tornillos.

Los dos tornillos exteriores son tornillos de nivelación. No quite estos dos tornillos. Pueden girarse para nivelar la plancha o para brindar una inclinación hacia adelante para que las grasas y aceites se escurran de los alimentos que se están cocinando.

Después de nivelar la plancha, ajuste los tornillos de apriete a mano; no ajuste de más.

## CUANDO TODAS LAS CONEXIONES SE HAYAN COMPLETADO

Asegúrese de que todos los controles queden en la posición de apagado. Asegúrese de que el flujo de la combustión y el aire de ventilación a la estufa estén desobstruidos.

Asegúrese que todos los materiales de empaque y cintas se hayan retirado. Esto incluye cintas sobre el panel metálico debajo de las perillas de control (si corresponde), cinta adhesiva, cintas para ajuste de cables, cartón y plástico protector. Si estos materiales no se retiran, se podrá producir como resultado un daño sobre el electrodoméstico, una vez que el mismo haya sido encendido y las superficies estén calientes.

# Instalación de accesorios

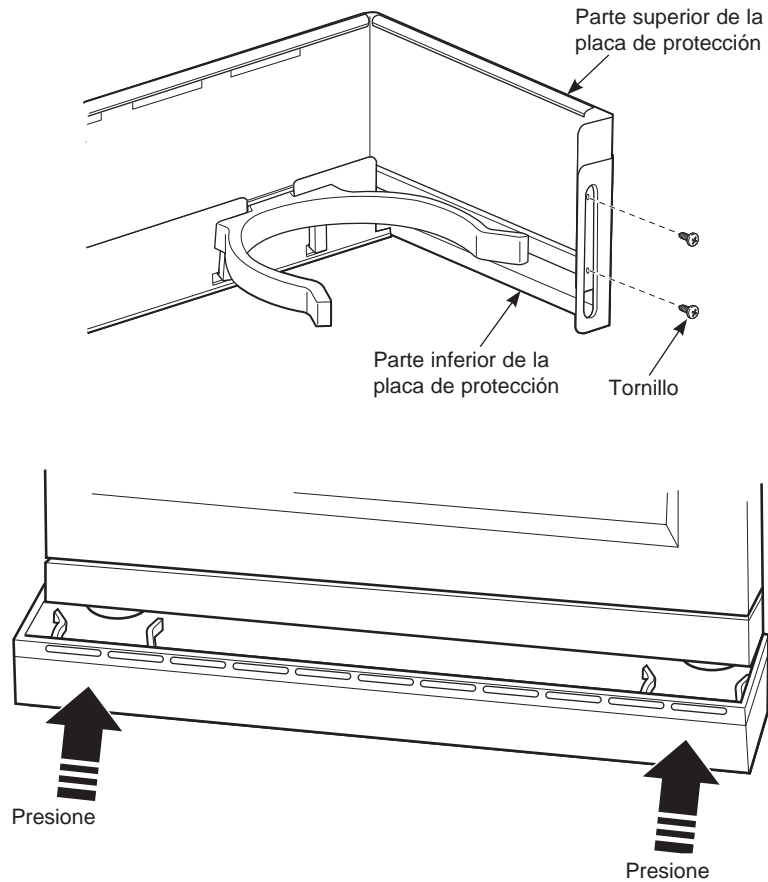
## PLACA DE PROTECCIÓN (incluida)

- Instale la placa de protección después de que se haya nivelado la estufa.
- Mida la distancia entre el piso y la parte inferior de la estufa.
- El zócalo posee un ajuste de altura total de 1.5". Para su ajuste, afloje los dos tornillos sobre cada extremo y aleje las piezas superior e inferior deslizando las mismas 1/8" menos que la altura medida.

**NOTA:** El tornillo superior se podrá retirar a fin de maximizar la altura del zócalo.

- Fije las secciones superior e inferior ajustando los 2 tornillos de cada extremo.
- Presione la placa de protección contra la pata de la estufa hasta que se trabase sobre las patas.

**NOTA:** Asegúrese de que la placa de protección quede bien sujeta a la pata.



**NOTA:** Al realizar las instalaciones descritas en este libro, se deberán usar anteojos o gafas de seguridad.

**NOTA:** Monogram Appliances se esfuerza de forma constante para mejorar sus productos. Por lo tanto, los materiales, el aspecto y las especificaciones están sujetos a cambios sin aviso previo