

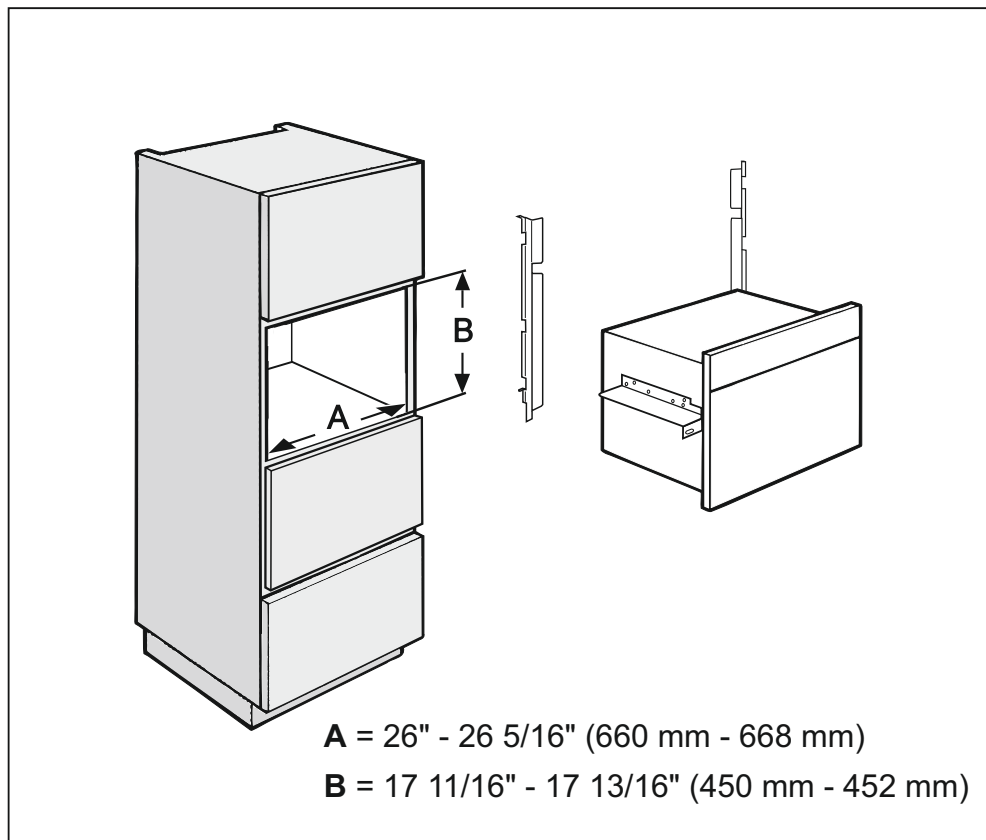
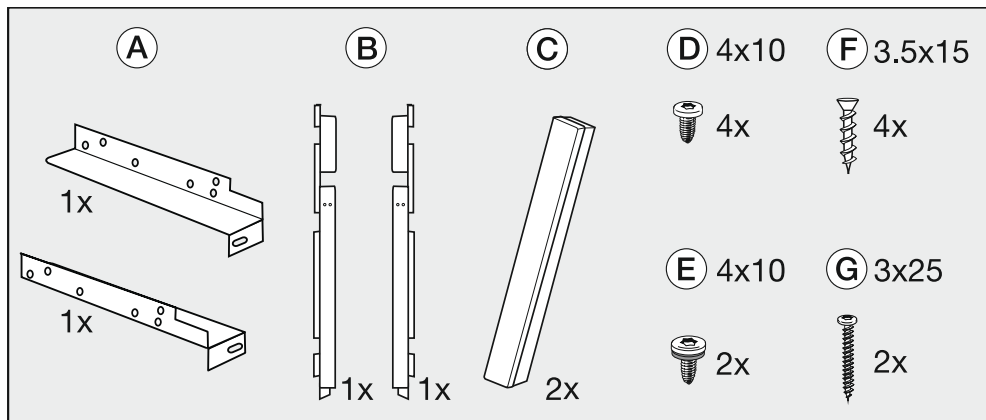
Trim Kit

Trousse de finition

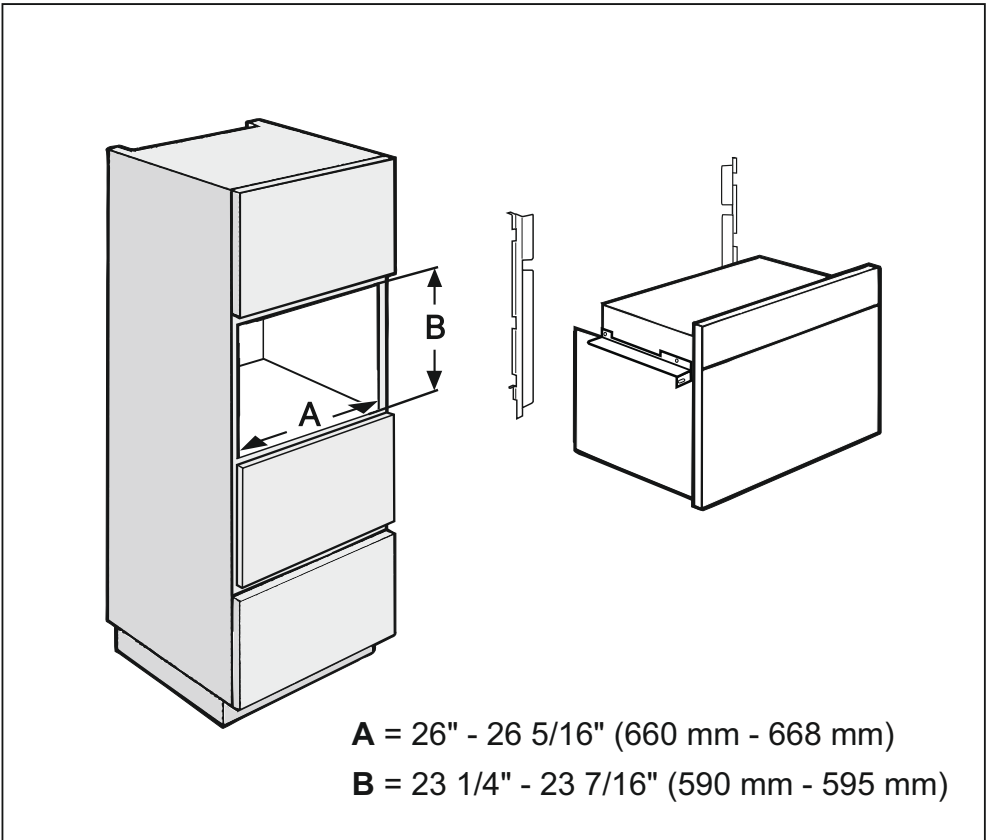
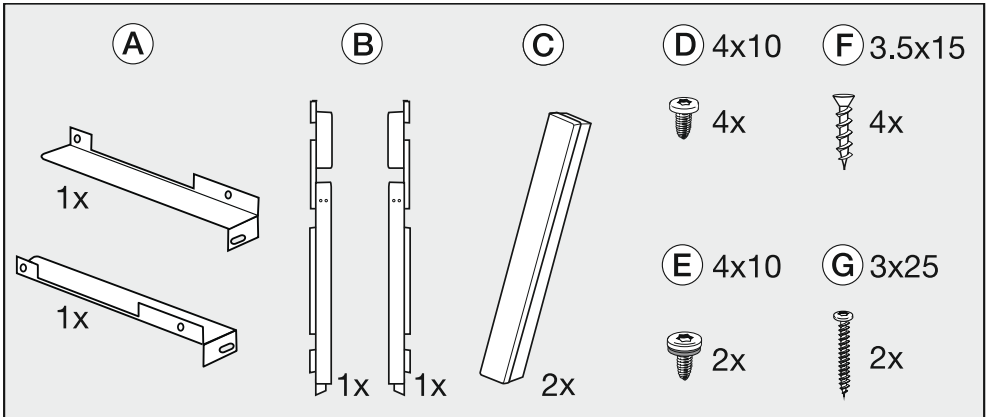
Montagem de adaptador

EBA6707; EBA6767; EBA6708;
EBA6808; EBA6768; EBA6868

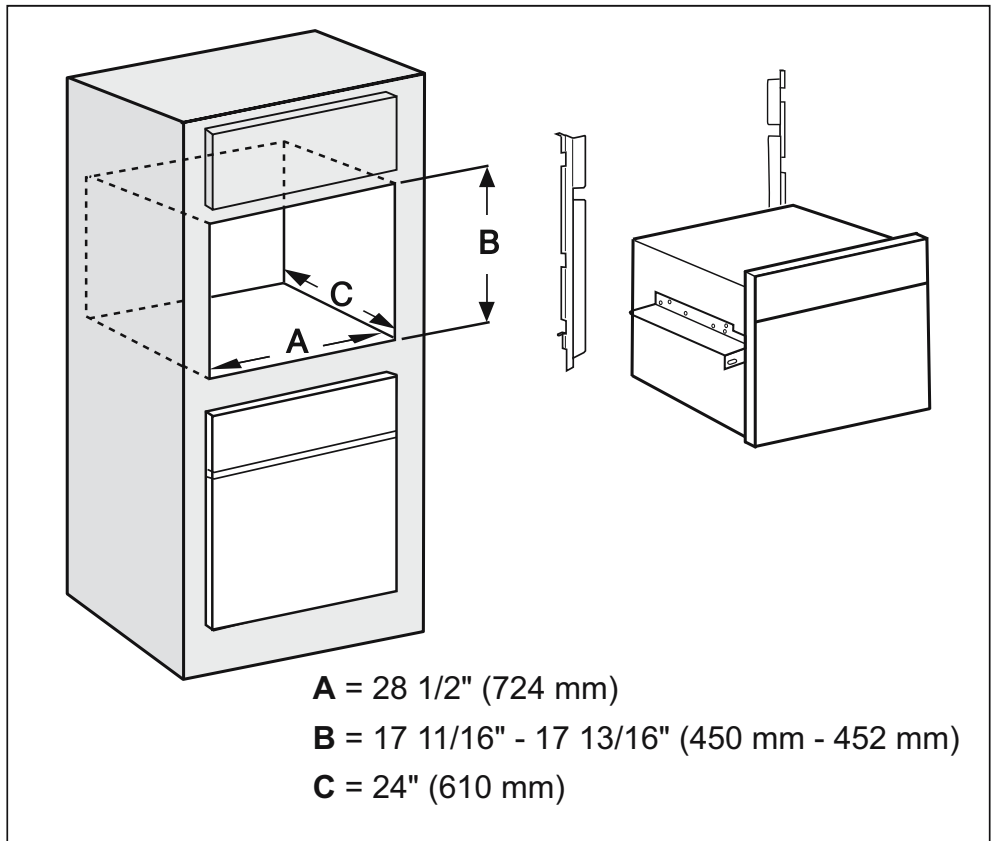
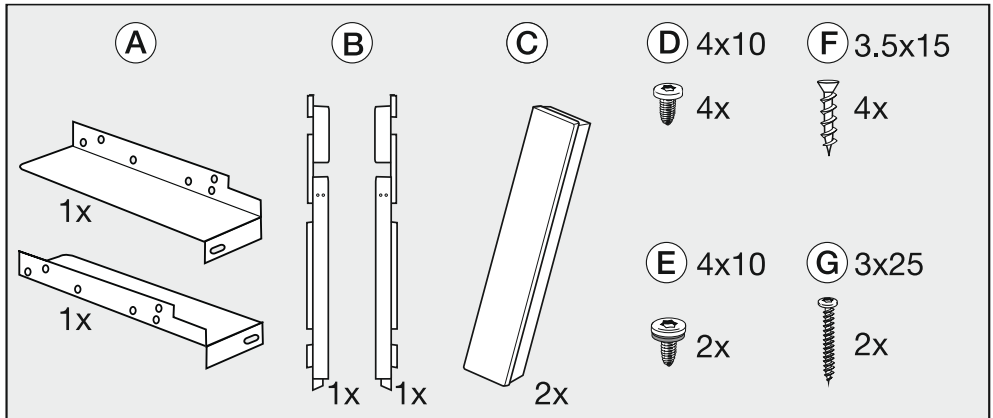
EBA6707 (70 cm)



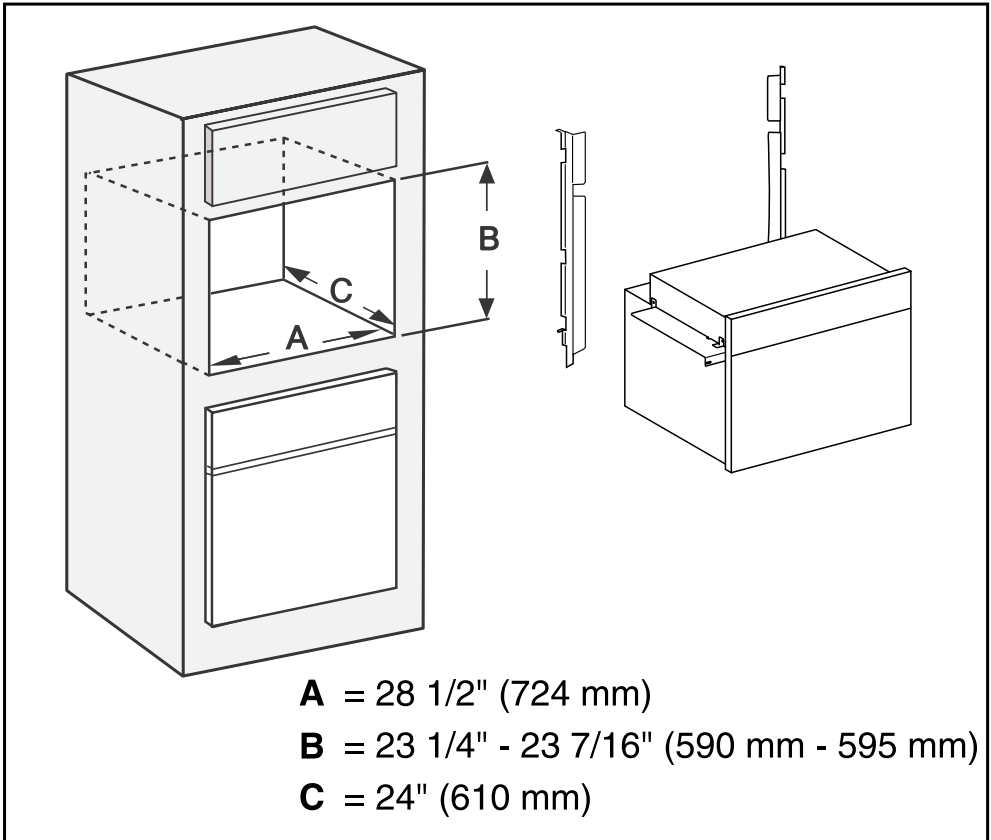
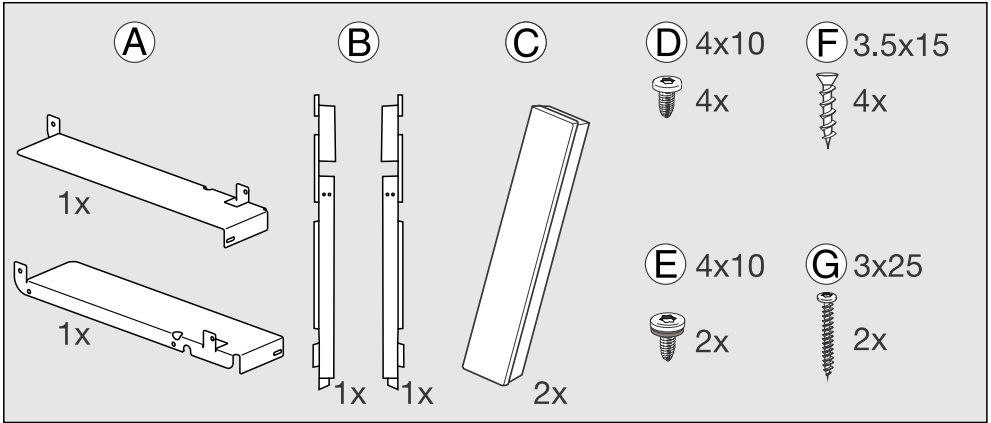
EBA6767 (70 cm)



EBA6708 / EBA6808 (30")

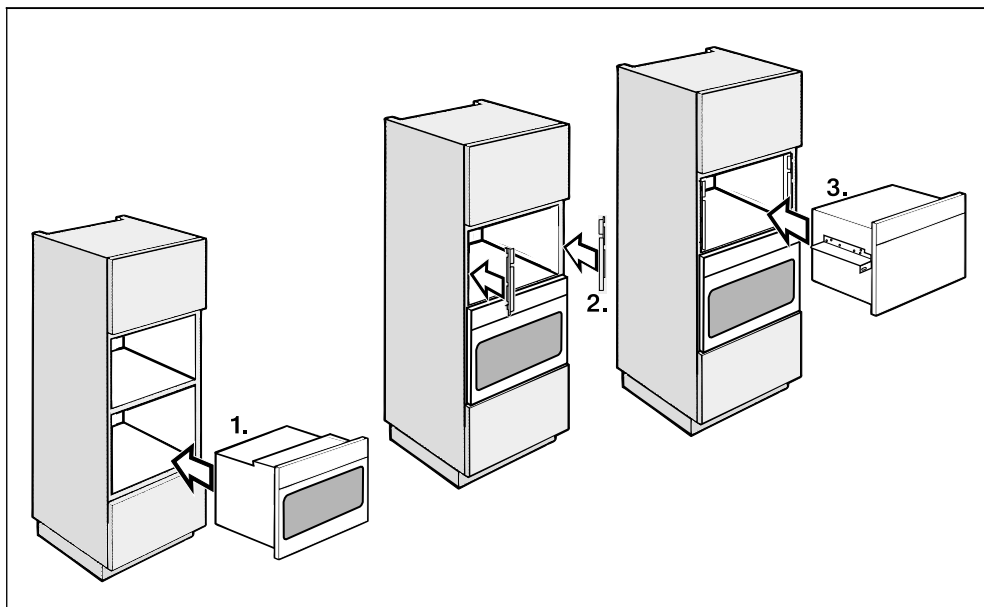


EBA6768 / EBA6868 (30")

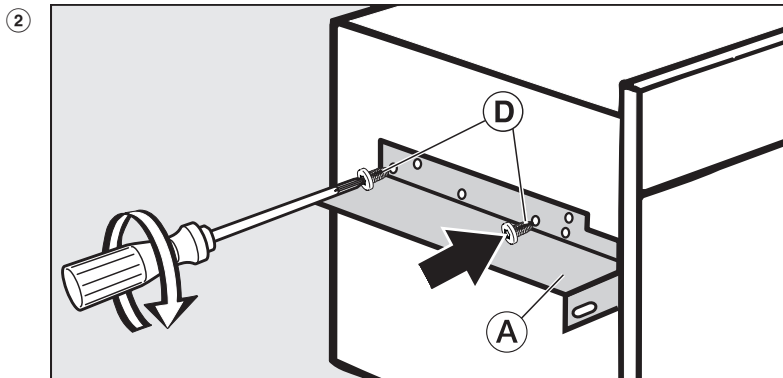


EBA6707/6767 (70 cm); EBA6708/6808/6768/6868 (30")

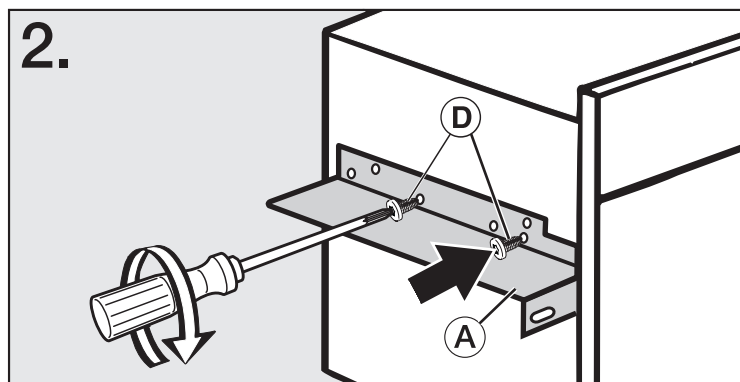
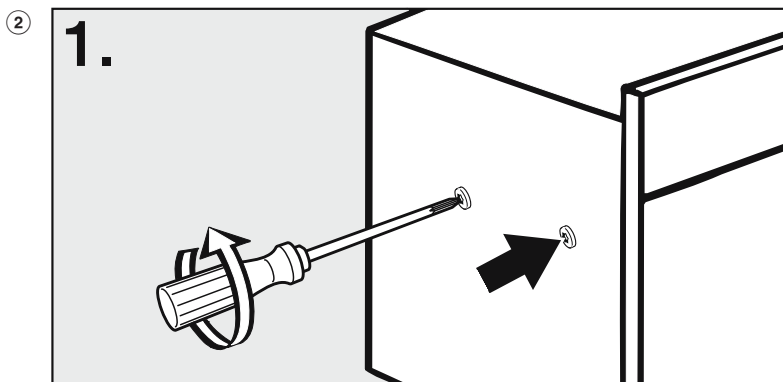
①



H 6xxx BM



DG 6x0x

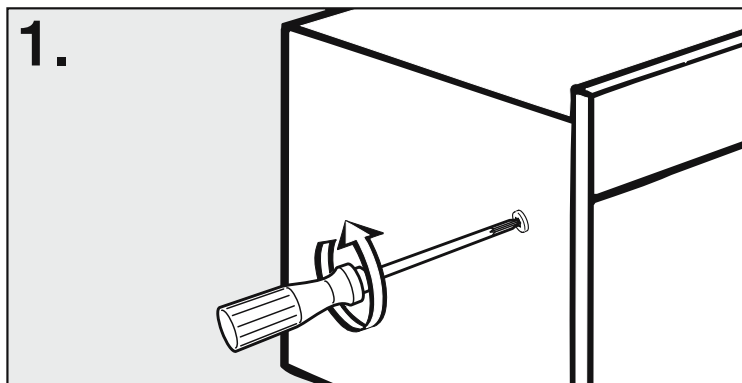


EBA6707 (70 cm); EBA6708/6808 (30")

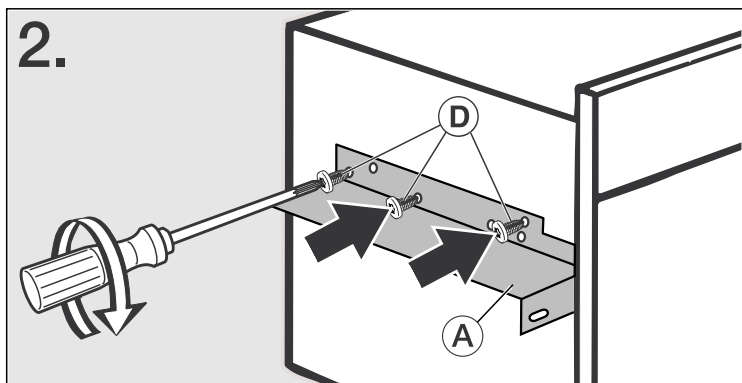
DGC 6x0x

②

1.

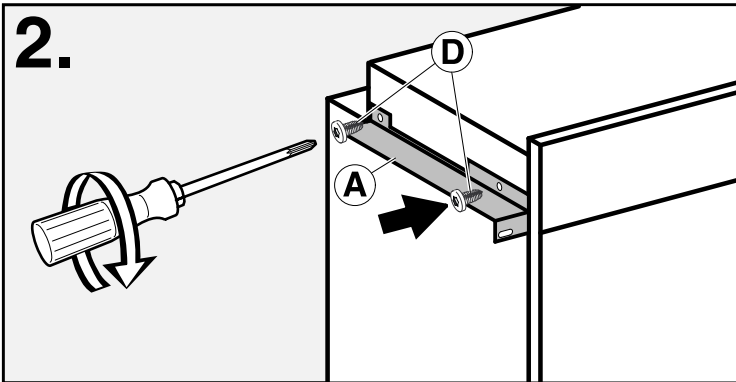
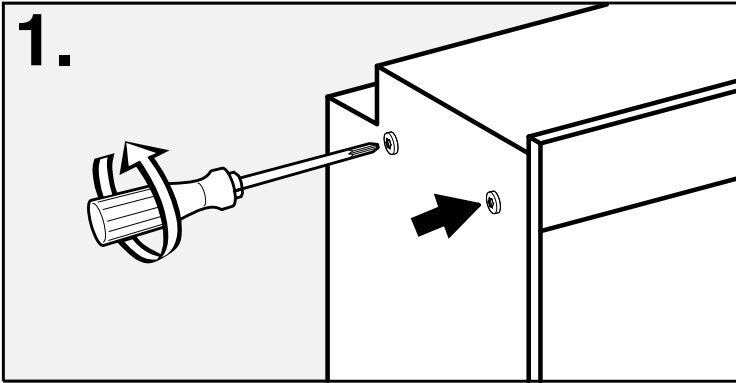


2.



H 2x6x, H 6x6x

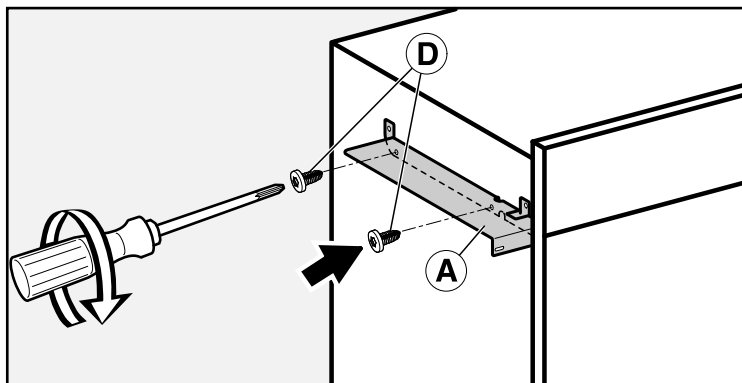
②



EBA6768/6868 (30")

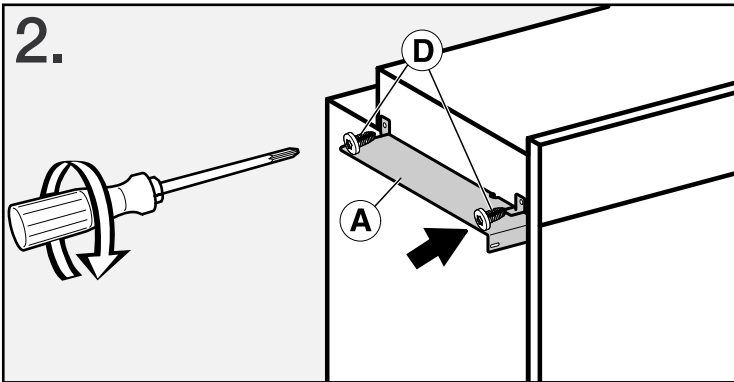
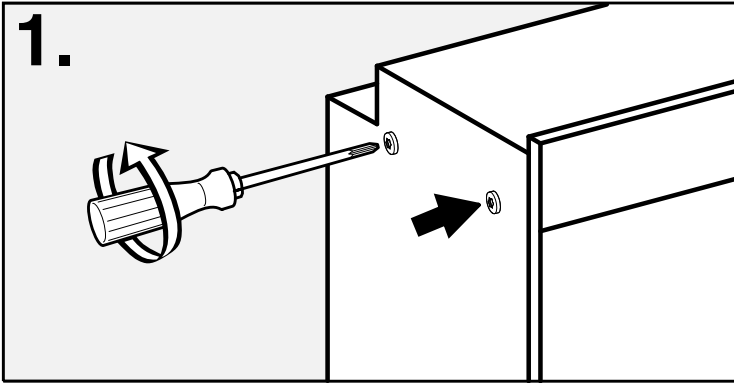
DGC 6x6x

②



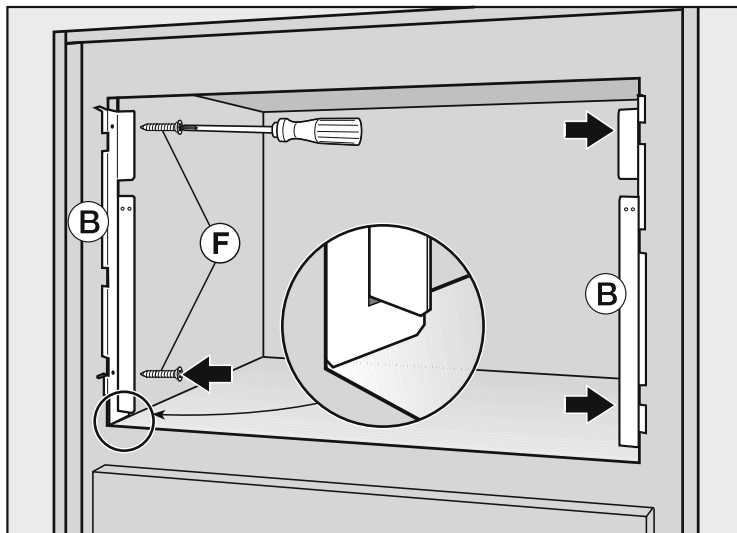
H 2x6x, H 6x6x

②

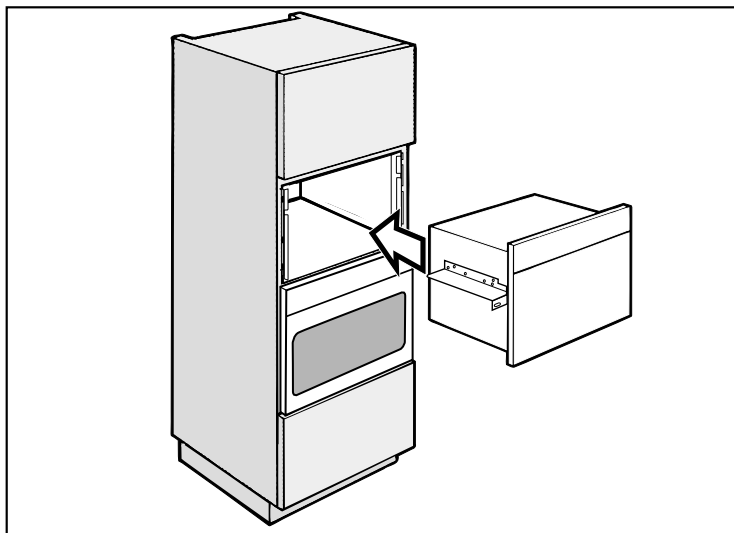


EBA6707/6767 (70 cm); EBA6708/6808/6768/6868 (30")

3

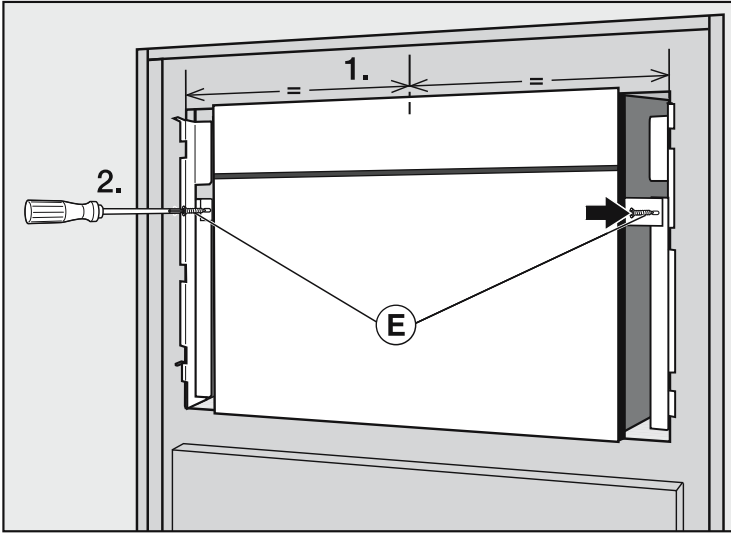


4



EBA6707/6767 (70 cm); EBA6708/6808/6768/6868 (30")

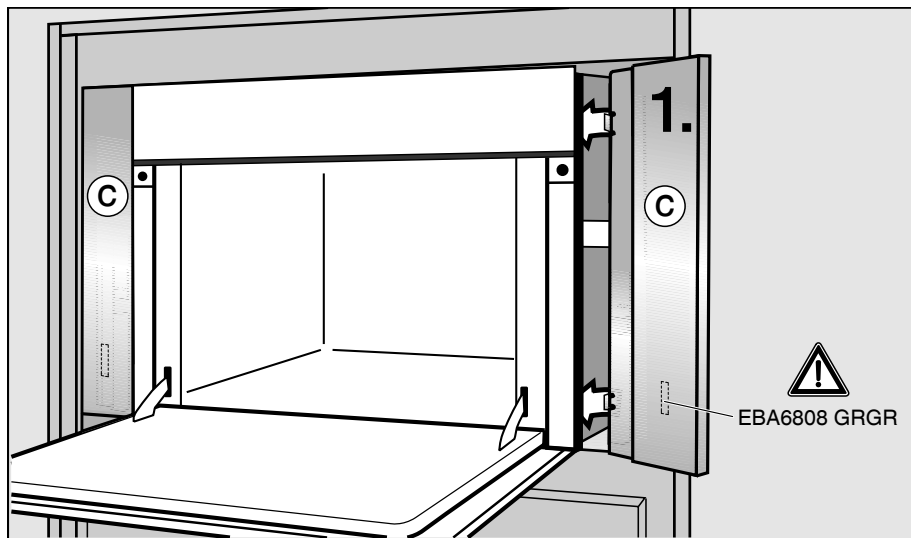
5



EBA6707/6767 (70 cm); EBA6708/6808/6768/6868 (30")

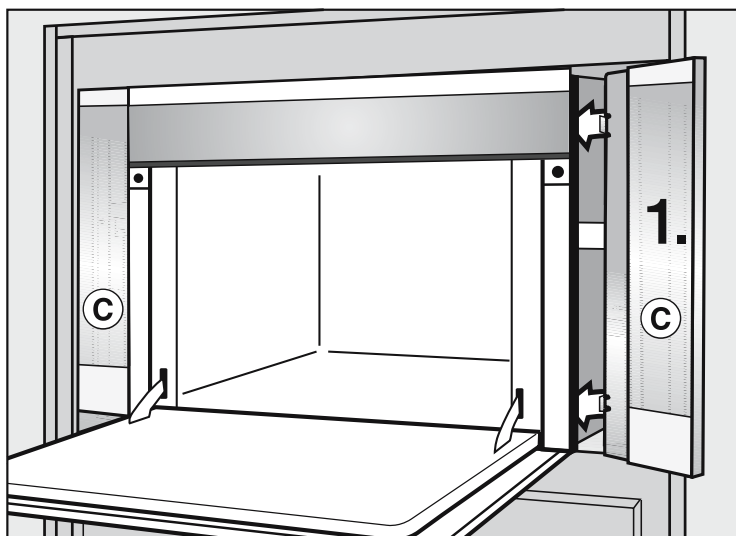
⑥ ⚠

EBA6707 EDST/CLST, EBA6767 EDST/CLST (70 cm)
EBA6708 EDST/CLST, EBA6808 HVBR, OBSW, BRWS, GRGR,
EBA6768 EDST/CLST, EBA6868 OBSW, BRWS (30")

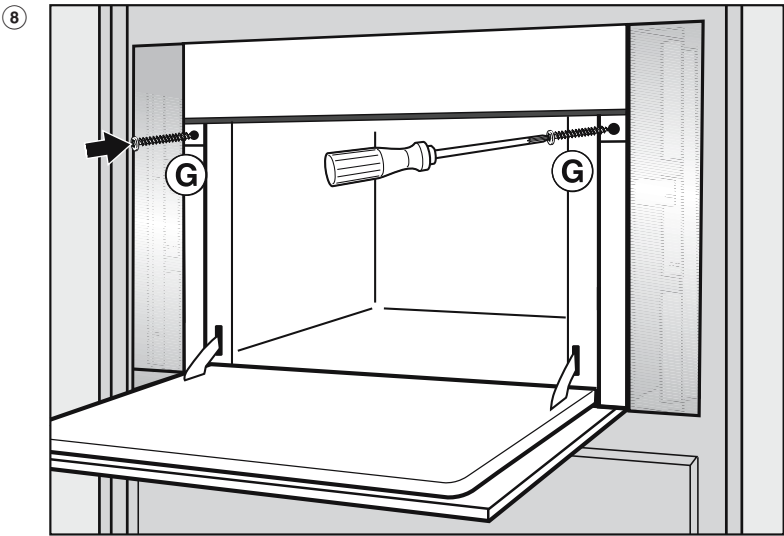
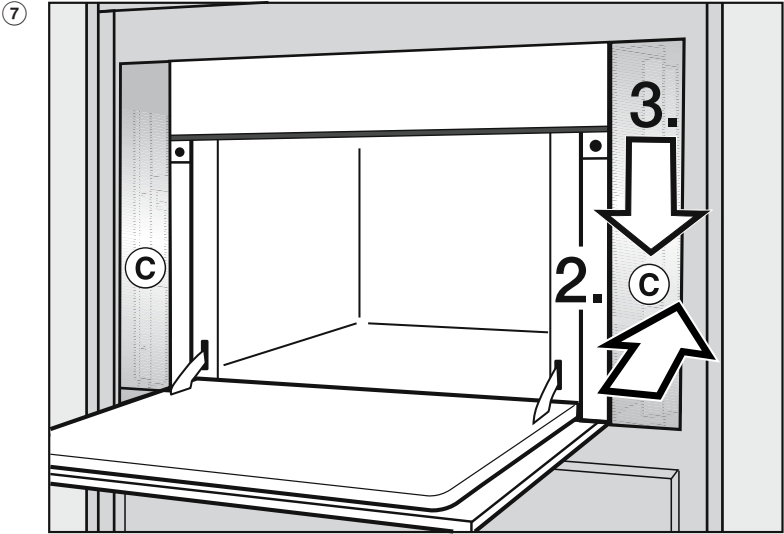


⚠

EBA6808 EDST/CLST, EBA6868 EDST/CLST (30")




EBA6707/6767 (70 cm); EBA6708/6808/6768/6868 (30")



EBA6707/6767 (70 cm); EBA6708/6808/6768/6868 (30")

de

Stellen Sie sicher, dass die Oberkante der Abdeckung bündig mit der Oberkante des Geräts abschließt und dass die Schraublöcher direkt übereinander liegen.

- Halten Sie die Abdeckung fest und befestigen Sie das Gerät mit den Schrauben .

en

Please ensure that the top edge of the panel sits flush with the top edge of the appliance and that the screw holes are aligned correctly.

- Hold the panel in position and secure the appliance using screws .

fr

Vérifiez que l'arête supérieure du bandeau est bien alignée avec l'arête supérieure de l'appareil et que les trous de vissage sont l'un au-dessus de l'autre.

- Tenez le bandeau et fixez l'appareil avec les vis .

es

Tenga en cuenta que el borde superior del panel queda al nivel del borde superior del aparato y que los orificios de la unión roscada están unos encima de otros.

- Sostenga el panel y fija el aparato con los tornillos .

pt

Verifique se a parte superior do painel está nivelado com a parte superior do aparelho e se os orifícios dos parafusos estão alinhados.

- Segure a tampa e fixe o aparelho com os parafusos .



United Kingdom

Miele Co. Ltd.
Fairacres, Marcham Road
Abingdon, Oxon, OX14 1TW
Tel: 0330 160 6600
Internet: www.miele.co.uk/service
E-mail: info@miele.co.uk

Australia

Miele Australia Pty. Ltd.
ACN 005 635 398
ABN 96 005 635 398
1 Gilbert Park Drive
Knoxfield, VIC 3180
Tel: 1300 464 353
Internet: www.miele.com.au

China

Miele (Shanghai) Trading Ltd.
1-3 Floor, No. 82 Shi Men Yi Road
Jing' an District
200040 Shanghai, PRC
Tel: +86 21 6157 3500
Fax: +86 21 6157 3511
E-mail: info@miele.cn
Internet: www.miele.cn

Miele (Hong Kong) Limited

41/F - 4101, Manhattan Place
23 Wang Tai Road
Kowloon Bay, Hong Kong
Tel: (852) 2610 1025
Fax: (852) 3579 1404
Email:
customerservices@miele.com.hk
Website: www.miele.hk

India

Miele India Pvt. Ltd.
Ground Floor
Copia Corporate Suites
Plot No. 9, Jasola
New Delhi - 110025
Tel: 011-46 900 000
Fax: 011-46 900 001
E-mail: customercare@miele.in
Internet: www.miele.in

Ireland

Miele Ireland Ltd.
2024 Bianconi Avenue
Citywest Business Campus
Dublin 24
Tel: (01) 461 07 10
Fax: (01) 461 07 97
E-Mail: info@miele.ie
Internet: www.miele.ie

Malaysia

Miele Sdn Bhd
Suite 12-2, Level 12
Menara Sapura Kencana
Petroleum
Solaris Dutamas No. 1
Jalan Dutamas 1
50480 Kuala Lumpur, Malaysia
Phone: +603-6209-0288
Fax: +603-6205-3768

New Zealand

Miele New Zealand Limited
IRD 98 463 631
Level 2, 10 College Hill
Freemans Bay, Auckland 1011
New Zealand
Tel: 0800 464 353
Internet: www.miele.co.nz

Singapore

Miele Pte. Ltd.
163 Penang Road
04 - 03 Winsland House II
Singapore 238463
Tel: +65 6735 1191
Fax: +65 6735 1161
E-Mail: info@miele.com.sg
Internet: www.miele.sg

South Africa

Miele (Pty) Ltd
63 Peter Place, Bryanston 2194
P.O. Box 69434, Bryanston 2021
Tel: (011) 875 9000
Fax: (011) 875 9035
E-mail: info@miele.co.za
Internet: www.miele.co.za

Taiwan

K.E. & Kingstone Co., Ltd.
6th Fl., No. 120, Sec. 2
Jianguo N. Rd.
Taipei, Taiwan
TEL: +886 2 2502-7256
FAX: +886 2 2502-3077
E-mail: kenk@kenk.com.tw
Website:
www.kenk.com.tw/ke/miele

Thailand

BHIRAJ TOWER at EmQuartier
43rd Floor Unit 4301-4303
689 Sukhumvit Road
North Klongton Sub-District
Vadhana District
Bangkok 10110, Thailand

United Arab Emirates

Miele Appliances Ltd.
Showroom 1
Eiffel 1 Building
Sheikh Zayed Road, Umm Al Sheif
P.O. Box 114782 - Dubai
Tel. +971 4 3044 999
Fax. +971 4 3418 852
800-MIELE (64353)
E-Mail: info@miele.ae
Website: www.miele.ae

Manufacturer: Miele & Cie. KG, Carl-Miele-Straße 29, 33332 Gütersloh, Germany



Deutschland:

Miele & Cie. KG, Carl-Miele-Straße 29, 33332 Gütersloh
Telefon: 05241 89-0, Telefax: 05241 89-2090
Miele im Internet: www.miele.de

USA:

Miele, Inc.
9 Independence Way
Princeton, NJ 08540
Phone: 800-843-7231
Fax: 609-419-4298
Customer Service: 888-99-MIELE(64353)
www.mieleusa.com

Canada :

Miele Limitée
161 Four Valley Drive
Vaughan, ON L4K 4V8
Téléphone : 800 565-6435
www.miele.ca
customercare@miele.ca

México:

Miele S.A. de C.V.
Miele Experience Center
Arquímedes No. 43
Colonia Polanco Chapultepec
Delegación Miguel Hidalgo
C.P. 11560, Cd. de México
01800 MIELE 00
info@miele.com.mx
www.miele.com.mx

Brasil:

Miele do Brasil Participações Ltda
Alameda Gabriel Monteiro da Silva 819
Sao Paulo – SP – 01441-000
Fone: (11) 3061-0430
Brasil

EBA6707; EBA6767; EBA6708; EBA6808; EBA6768;
EBA6868

de, en, fr, es, pt – AU, BR,
CA, GB, MX, NZ, US, ZA

M.-Nr. 09 374 273 / 02