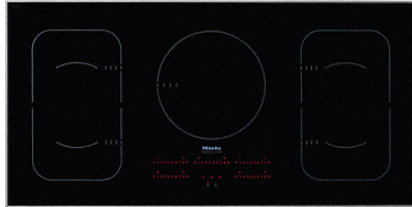


KM 6377

Induction Cooktop

in maximum width for the best possible cooking and user convenience.



- Quick selection using numerical linear keybanks - Direct control plus
- Attractive design - 42 5/8 (1,080)Inch wide with stainless steel frame
- Versatile and fast – 4 cooking zones incl. 2 PowerFlex areas
- Communication with the hood - automatic function Con@ctivity
- Broad performance spectrum - keeping warm function and TwinBooster

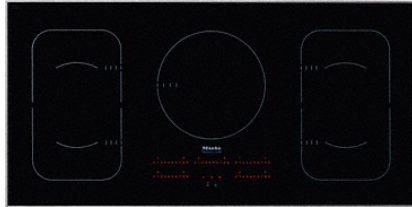
EAN: 4002515472798 / material number: 09775930

Type of heating	
Fuel type	Induction
Construction type	
Independent of oven	•
Design	
Elegant glass ceramic surface	•
Ceramic surface color	Black
Print design	LightPrint
All-round stainless steel frame	•
Proud-mounted installation	•
Ring features	
No. of rings	5
PowerFlex cooking zone	
Number	4
Size in inches (mm)	Ø 150 – 230
Max. rating in W	2200
Max. booster rating in W	3100
Max. TwinBooster rating in W	3850
Ring	
Position	left centre
Type	PowerFlex bridge
Size in inches (mm)	230x390
Max. rating in W	3550
Position	Centred
Type	Variable cooking zone
Size in inches (mm)	Ø 180-280
Max. rating in W	2500
Max. booster rating in W	3100
Position	right
Type	PowerFlex bridge
Size in inches (mm)	230x390
Max. rating in W	3550
Max. booster rating in W	5000
Max. TwinBooster rating in W	7700
Control panel	
Operation via touchpad sensors	Multiple direct dial
Display color	Red
Pan/Pan-size sensors	•
Stop & Go function	•
Minute minder	•
Automatic switch-off for all rings	•
AutoBoost	•
Keep-warm function	•
Cleaning convenience	
Easy to clean ceramic surface	•

KM 6377

Induction Cooktop

in maximum width for the best possible cooking and user convenience.

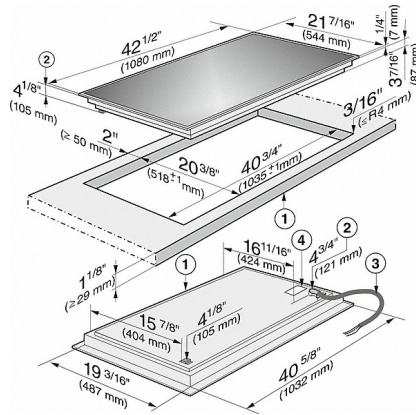
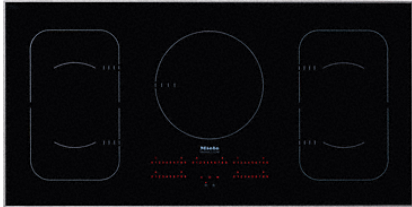


Safety	
Safety cut-out	•
Lock function	•
System lock	•
Integrated cooling blower	•
Overheating protection	•
Residual heat indicator	•
Technical data	
Dimensions in in. (width)	42 5/8 (1,080)
Dimensions (height) in in.(mm)	5 1/8 (128)
Built-in height with mains connection box in in.(mm)	4 7/8 (121)
Dimensions (depth) in in.(mm)	21 1/2 (544)
Cutout dimensions in in. (width) with proud-mounted installation	40 3/4 (1,035)
Cutout dimensions in in. (depth) with proud-mounted installation	20 1/2 (518)
Weight in lbs. (kg)	66 (30)
Total connected load in kW	11.5
Power cord length in m	3 (1.2)
Standard accessories	
Connection wire	•

KM 6377

Induction Cooktop

in maximum width for the best possible cooking and user convenience.



KM 6377 (Installation drawing)

- 1) Front
- 2) Casing depth
- 3) Flexible metal Extension hose L = 47 1/4" (1200 mm)
- 4) Data plate