



Summit Kamado S6

OWNER'S GUIDE

REGISTER YOUR GRILL

Thank you for purchasing a WEBER grill. Take a few minutes to protect your investment by registering your grill online at www.weber.com. Reference the serial number on the front cover of this owner's guide.



⚠ DANGER

If you smell gas:

- Shut off gas to the appliance.
- Extinguish any open flames.
- Open lid.
- If odor continues, keep away from the appliance and immediately call your gas supplier or your fire department.

Failure to follow these instructions could result in fire or explosion which could cause property damage, personal injury or death.

⚠ DANGER

- Never operate this appliance unattended.
- Never operate this appliance within 24 inches (61 cm) of any structure, combustible material or other gas cylinder.
- Never operate this appliance within 25 ft (7.5 m) of any flammable liquid.
- If a fire should occur, keep away from the appliance and immediately call your fire department. Do not attempt to extinguish an oil or grease fire with water.

Failure to follow these instructions could result in fire, explosion or burn hazard, which could cause property damage, personal injury or death.

This instruction manual contains important information necessary for the proper assembly and safe use of the appliance.

Read and follow all warnings and instructions before assembling and using the appliance.

Follow all warnings and instructions when using the appliance.

Keep this manual for future reference.

Carefully follow all leak-check procedures in this Owner's Guide prior to grill operation. Do this even if the grill was dealer-assembled.

Do not ignite this appliance without first reading the burner ignition sections of this manual.

THIS GAS APPLIANCE IS DESIGNED FOR OUTDOOR USE ONLY.



53237

US/esMX/frCA
10/23/20



SAFETY

Failure to follow the DANGERS, WARNINGS, and CAUTIONS contained in this owner's guide may result in serious bodily injury or death, or may result in a fire or an explosion causing damage to property.

DANGER:

Indicates a hazardous situation which, if not avoided, will result in death or serious injury.

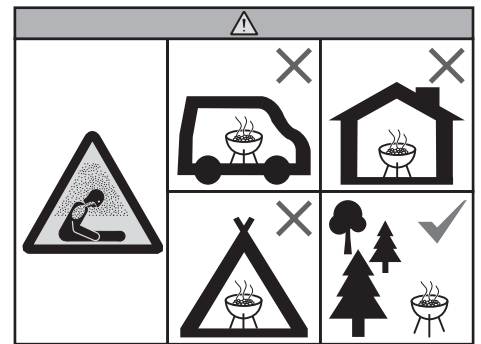
- ⚠ Only use the grill outdoors in a well-ventilated area. Do not use in a garage, building, breezeway, tent, any other enclosed area, or beneath overhead combustible construction.
- ⚠ The grill is not intended for and should never be used as a heater.
- ⚠ Keep the cooking area clear of flammable vapors and liquids such as gasoline, alcohol, etc., and combustible materials.
- ⚠ Always open the lid before lighting the gas burner, either manually or with the igniter. Lid must remain open until charcoal is fully ignited.
- ⚠ Should a grease fire occur, turn off the burner and leave lid closed until fire is out.
- ⚠ The grill should never be used by children. Accessible parts of the grill may be very hot. Keep children and pets away while the grill is in use.
- ⚠ Do not attempt to disconnect the gas cylinder while the grill is in operation.
- ⚠ Should the burner go out while the grill is in operation, turn the gas valve off. Open the lid and wait five minutes before attempting to relight.
- ⚠ Do not operate the grill if there is a gas leak present.
- ⚠ Do not use a flame to check for gas leaks.
- ⚠ Do not put a grill cover or anything flammable on, or in the storage area under the grill, while grill is in operation or is hot.
- ⚠ If you see, smell, or hear the hiss of gas escaping from the liquid propane cylinder:
 1. Move away from liquid propane cylinder.
 2. Do not attempt to correct the problem yourself.
 3. Call your fire department.
- ⚠ Liquid propane gas is not natural gas. The conversion or attempted use of natural gas in a liquid propane gas unit or liquid propane gas in a natural gas unit is dangerous and will void your warranty.
- ⚠ Do not enlarge burner ports when cleaning the burner.
- ⚠ Do not store an extra (spare) or disconnected liquid propane cylinder under or near the grill.

WARNING:

Indicates a hazardous situation which, if not avoided, could result in death or serious injury.

- ⚠ The grill should never be left unattended or moved while in operation.
- ⚠ After a period of storage and/or nonuse, the grill should be checked for gas leaks and burner obstructions before use. See instructions in this owner's guide for correct procedures.
- ⚠ Do not use the grill unless all parts are in place. Grill must be properly assembled according to the assembly instructions.
- ⚠ Do not build this model of grill in any built-in or slide-in construction.
- ⚠ Never lean over an open grill while igniting or cooking.
- ⚠ Use heat-resistant barbecue mitts or gloves at all times when operating the grill.
- ⚠ Use proper tools, with long, heat-resistant handles.
- ⚠ Do not place hands or fingers on the front edge of the bowl while the grill is hot or the lid is open.
- ⚠ Use the pressure regulator that is supplied with the grill.
- ⚠ Keep any electrical supply cord and the fuel supply hose away from any heated surfaces.
- ⚠ The use of alcohol, prescription drugs, non-prescription drugs, or illegal drugs may impair the consumer's ability to properly and safely assemble, move, store, or operate the grill.
- ⚠ Always put charcoal on top of the fuel grate. Do not put charcoal directly in the bottom of the bowl or on the diffuser plate.
- ⚠ The grill should be thoroughly cleaned on a regular basis.
- ⚠ Never dump hot charcoal where it might be stepped on or be a fire hazard. Never dump ashes or charcoal before they are fully extinguished.
- ⚠ When cooking, the grill must be on a level, stable surface in an area clear of combustible material.
- ⚠ Lining the bowl with aluminum foil will obstruct the air flow. Instead, use a drip pan to catch drippings from meat when cooking using the indirect method.
- ⚠ Grill brushes should be checked for loose bristles and excessive wear on a regular basis. Replace brush if any loose bristles are found on cooking grate or brush. WEBER recommends purchasing a new stainless steel bristle grill brush at the beginning of every spring.

- ⚠ Do not wear clothing with loose flowing sleeves while lighting or using the grill.
- ⚠ Never touch the cooking or fuel grate, ashes, charcoal, or the grill to see if they are hot.
- ⚠ This WEBER grill is not intended to be installed in or on recreational vehicles and/or boats.
- ⚠ Do not use lighter fluid, gasoline, alcohol, or other highly volatile fluids to ignite or reignite charcoal.
- ⚠ WARNING! Do not use the grill in a confined and/or habitable space e.g. houses, tents, caravans, motor homes, boats. Danger of carbon monoxide poisoning fatality.



CAUTION:

Indicates a hazardous situation which, if not avoided, could result in minor or moderate injury.

- ⚠ Do not remove ashes until all charcoal is completely burned out and fully extinguished and grill is cool.
- ⚠ Do not store grill until ashes and charcoal are fully extinguished.
- ⚠ The grill is not intended for commercial use.
- ⚠ Do not use water to control flare-ups or to extinguish charcoal.
- ⚠ Do not use grill in high winds.
- ⚠ Extinguish charcoal when finished cooking. To extinguish, close bowl vent, lid and RAPIDFIRE lid damper.

CALIFORNIA PROPOSITION 65

⚠ WARNING: Combustion byproducts produced when using this product contain chemicals known to the state of California to cause cancer, birth defects, or other reproductive harm.

⚠ PROPOSITION 65 WARNING: Handling the brass material on this product exposes you to lead, a chemical known to the state of California to cause cancer, birth defects, or other reproductive harm. Wash hands after handling this product.



WARRANTY



Thank you for purchasing a WEBER product. Weber-Stephen Products LLC, 1415 S. Roselle Road, Palatine, Illinois 60067 ("WEBER") prides itself on delivering a safe, durable, and reliable product.

This is WEBER's Voluntary Warranty provided to you at no extra charge. It contains the information you will need to have your WEBER product repaired in the unlikely event of a failure or defect.

Pursuant to applicable laws, the customer has several rights in case the product is defective. Those rights include supplementary performance or replacement, abatement of the purchasing price, and compensation. In the European Union, for example, this would be a two-year statutory warranty starting on the date of the handover of the product. These and other statutory rights remain unaffected by this warranty provision. In fact, this warranty grants additional rights to the Owner that are independent from statutory warranty provisions.

WEBER'S VOLUNTARY WARRANTY

WEBER warrants, to the purchaser of the WEBER product (or in the case of a gift or promotional situation, the person for whom it was purchased as a gift or promotional item), that the WEBER product is free from defects in material and workmanship for the period(s) of time specified below when assembled and operated in accordance with the accompanying Owner's Manual. (Note: If you lose or misplace your WEBER Owner's Manual, a replacement is available online at www.weber.com, or such country-specific website to which Owner may be redirected.) Under normal, private single family home or apartment use and maintenance, WEBER agrees within the framework of this warranty to repair or replace defective parts within the applicable time periods, limitations, and exclusions listed below. TO THE EXTENT ALLOWABLE BY APPLICABLE LAW, THIS WARRANTY IS EXTENDED ONLY TO THE ORIGINAL PURCHASER AND IS NOT TRANSFERABLE TO SUBSEQUENT OWNERS, EXCEPT IN THE CASE OF GIFTS AND PROMOTIONAL ITEMS AS NOTED ABOVE.

OWNER'S RESPONSIBILITIES UNDER THIS WARRANTY

To ensure trouble-free warranty coverage, it is important (but it is not required) that you register your WEBER product online at www.weber.com, or such country-specific website to which Owner may be redirected. Please also retain your original sales receipt and/or invoice. Registering your WEBER product confirms your warranty coverage and provides a direct link between you and WEBER in case we need to contact you.

The above warranty only applies if the Owner takes reasonable care of the WEBER product by following all assembly instructions, usage instructions, and preventative maintenance as outlined in the accompanying Owner's Manual, unless the Owner can prove that the defect or failure is independent of non-compliance with the above mentioned obligations. If you live in a coastal area, or have your product located near a pool, maintenance includes regular washing and rinsing of the exterior surfaces as outlined in the accompanying Owner's Manual.

WARRANTY HANDLING / EXCLUSION OF WARRANTY

If you believe that you have a part which is covered by this Warranty, please contact WEBER Customer Service using the contact information on our website (www.weber.com, or such country-specific website to which Owner may be redirected). WEBER will, upon investigation, repair or replace (at its option) a defective part that is covered by this Warranty. In the event that repair or replacement are not possible, WEBER may choose (at its option) to replace the grill in question with a new grill of equal or greater value. WEBER may ask you to return parts for inspection, shipping charges to be pre-paid.

This WARRANTY lapses if there are damages, deteriorations, discolorations, and/or rust for which WEBER is not responsible caused by:

- Abuse, misuse, alteration, modification, misapplication, vandalism, neglect, improper assembly or installation, and failure to properly perform normal and routine maintenance;
- Insects (such as spiders) and rodents (such as squirrels), including but not limited to damage to burner tubes and/or gas hoses;
- Exposure to salt air and/or chlorine sources such as swimming pools and hot tubs/spas;
- Severe weather conditions such as hail, hurricanes, earthquakes, tsunamis or surges, tornadoes or severe storms.

The use and/or installation of parts on your WEBER product that are not genuine WEBER parts will void this Warranty, and any damages that result hereby are not covered by this Warranty. Any conversion of a gas grill not authorized by WEBER and performed by a WEBER authorized service technician will void this Warranty.

PRODUCT WARRANTY PERIODS

Bowl and lid assembly:
10 years, no rust through/burn through

Stainless steel cooking grates:
5 years, no rust through/burn through

ONE-TOUCH cleaning system:
5 years, no rust through/burn through

Plastic components:
5 years, excluding fading or discoloration

All remaining parts:
2 years

DISCLAIMERS

APART FROM THE WARRANTY AND DISCLAIMERS AS DESCRIBED IN THIS WARRANTY STATEMENT, THERE ARE EXPLICITLY NO FURTHER WARRANTY OR VOLUNTARY DECLARATIONS OF LIABILITY GIVEN HERE WHICH GO BEYOND THE STATUTORY LIABILITY APPLYING TO WEBER. THE PRESENT WARRANTY STATEMENT ALSO DOES NOT LIMIT OR EXCLUDE SITUATIONS OR CLAIMS WHERE WEBER HAS MANDATORY LIABILITY AS PRESCRIBED BY STATUTE.

NO WARRANTIES SHALL APPLY AFTER THE APPLICABLE PERIODS OF THIS WARRANTY. NO OTHER WARRANTIES GIVEN BY ANY PERSON, INCLUDING A DEALER OR RETAILER, WITH RESPECT TO ANY PRODUCT (SUCH AS ANY "EXTENDED WARRANTIES"), SHALL BIND WEBER. THE EXCLUSIVE REMEDY OF THIS WARRANTY IS REPAIR OR REPLACEMENT OF THE PART OR PRODUCT.

IN NO EVENT UNDER THIS VOLUNTARY WARRANTY SHALL RECOVERY OF ANY KIND BE GREATER THAN THE AMOUNT OF THE PURCHASE PRICE OF THE WEBER PRODUCT SOLD.

YOU ASSUME THE RISK AND LIABILITY FOR LOSS, DAMAGE, OR INJURY TO YOU AND YOUR PROPERTY AND/OR TO OTHERS AND THEIR PROPERTY ARISING OUT OF THE MISUSE OR ABUSE OF THE PRODUCT OR FAILURE TO FOLLOW INSTRUCTIONS PROVIDED BY WEBER IN THE ACCOMPANYING OWNER'S MANUAL.

PARTS AND ACCESSORIES REPLACED UNDER THIS WARRANTY ARE WARRANTED ONLY FOR THE BALANCE OF THE ABOVE MENTIONED ORIGINAL WARRANTY PERIOD(S).

THIS WARRANTY APPLIES TO PRIVATE SINGLE FAMILY HOME OR APARTMENT USE ONLY AND DOES NOT APPLY TO WEBER GRILLS USED IN COMMERCIAL, COMMUNAL OR MULTI-UNIT SETTINGS SUCH AS RESTAURANTS, HOTELS, RESORTS, OR RENTAL PROPERTIES.

WEBER MAY FROM TIME TO TIME CHANGE THE DESIGN OF ITS PRODUCTS. NOTHING CONTAINED IN THIS WARRANTY SHALL BE CONSTRUED AS OBLIGATING WEBER TO INCORPORATE SUCH DESIGN CHANGES INTO PREVIOUSLY MANUFACTURED PRODUCTS, NOR SHALL SUCH CHANGES BE CONSTRUED AS AN ADMISSION THAT PREVIOUS DESIGNS WERE DEFECTIVE.

**Weber-Stephen PRODUCTS LLC
Customer Service Center
1415 S. Roselle Road
Palatine, IL 60067
U.S.A.**

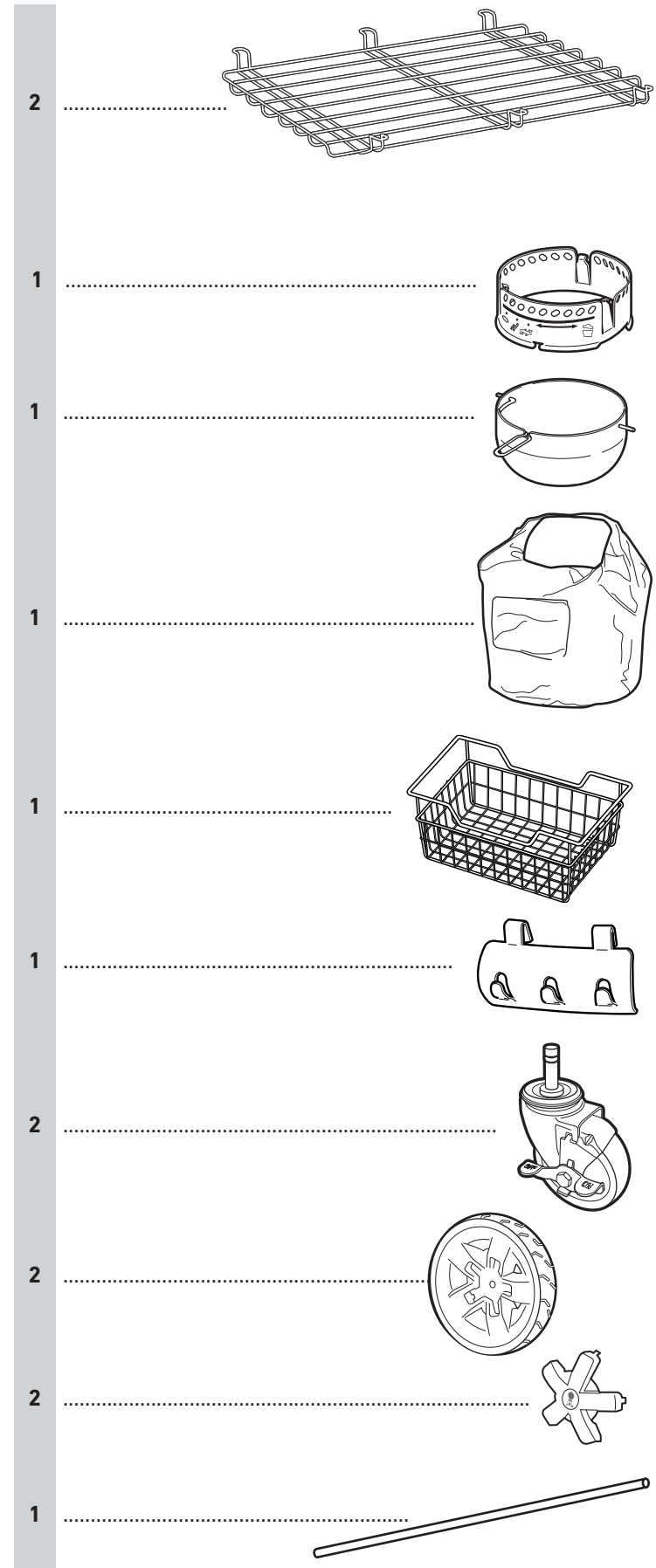
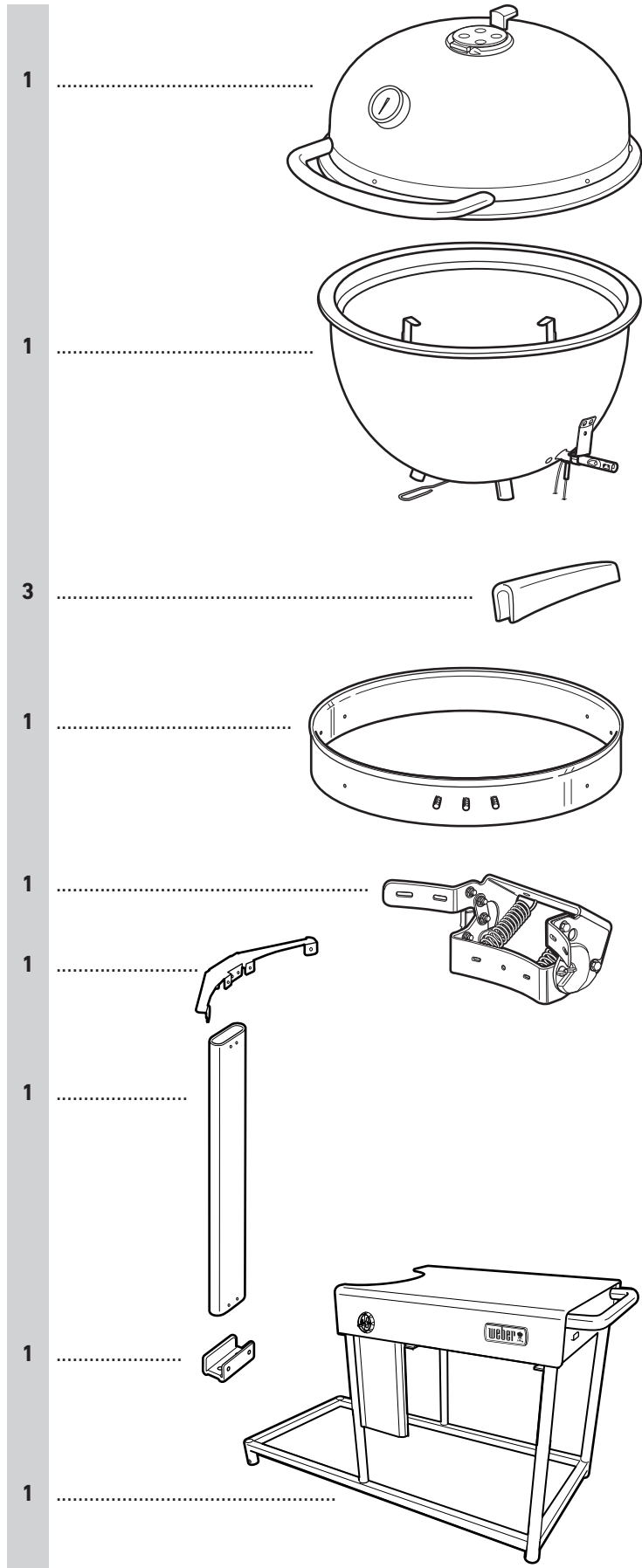
**For replacement parts, call:
1-800-446-1071**

TABLE OF CONTENTS

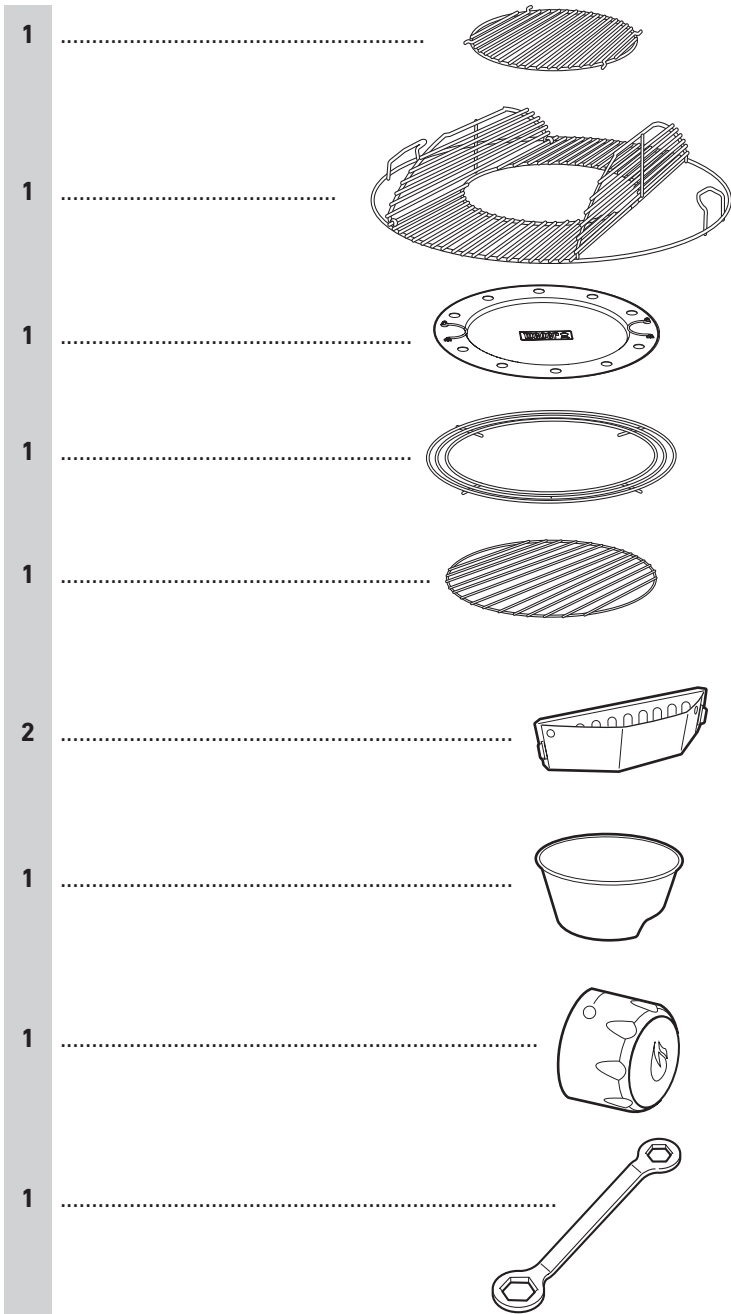
- 2 Safety
- 3 Warranty
- 4 Assembly
- 16 Cooking System
- 17 Features
- 18 Important Information About LP Gas & Gas Connections
- 19 Preparing to Use Your Barbecue
- 20 Before Lighting
 - Choose a Proper Location to Barbecue
 - Choose How Much Charcoal to Use
 - The Very First Time You Barbecue
 - Preparing the Barbecue for Lighting
- 21 Lighting Charcoal
 - Lighting the Charcoal Using a Chimney Starter
 - Lighting the Charcoal Using Lighter Cubes
 - Lighting the Charcoal Using CHAR-BASKETS
- 22 Burner Ignition - Snap-Jet Gas Ignition System
- 24 Barbecueing Methods
 - Direct Heat
 - Indirect Heat
 - Smoking
- 27 Tips and Tricks for Barbecueing Success
- 28 Maintenance
- 31 Replacement Parts

Visit www.weber.com, select your country of origin, and register your barbecue today.

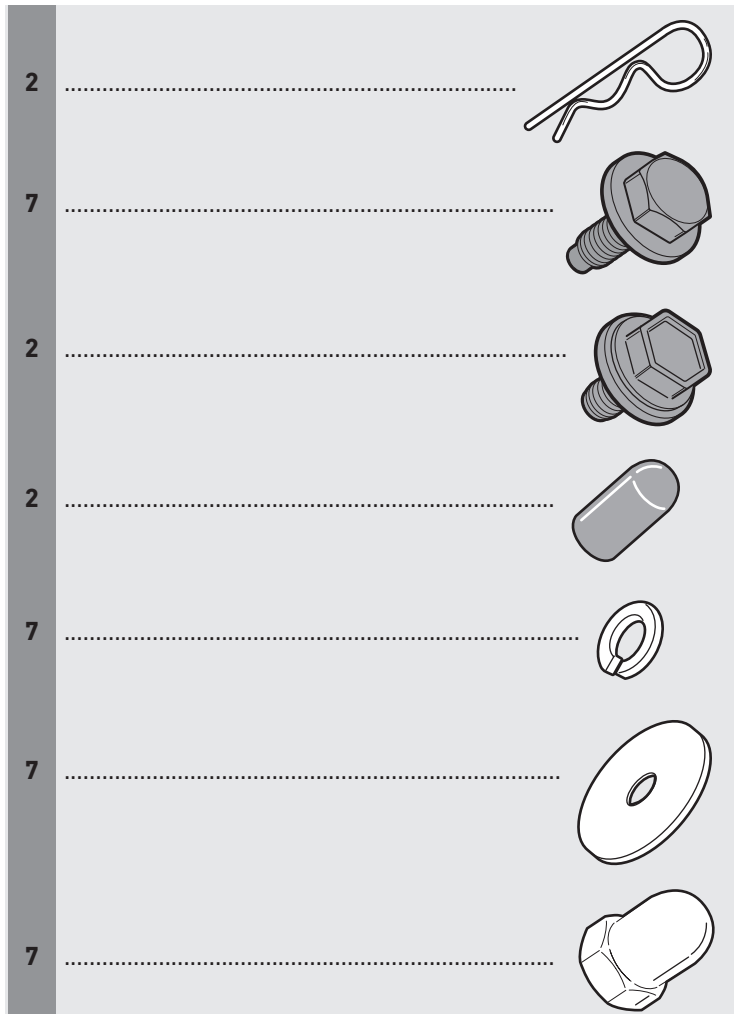
ASSEMBLY · ENSAMBLAJE · ASSEMBLAGE



ASSEMBLY · ENSAMBLAJE · ASSEMBLAGE

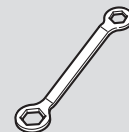


- US** ⚠ Remove protective film from stainless steel parts before installing.
- ES** ⚠ Retire la película protectora de las piezas de acero inoxidable antes de la instalación del asador.
- FC** ⚠ Avant de procéder à l'assemblage, retirez le film protecteur qui recouvre les pièces en acier inoxydable.



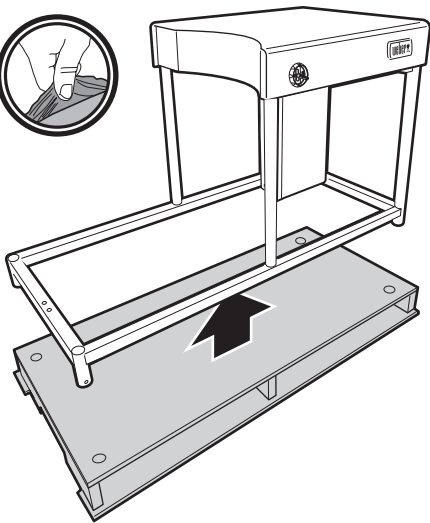
- US** Download the free BILT app for 3D step-by-step instructions.
- ES** Descargue gratis la app BILT para recibir instrucciones paso a paso en 3D.
- FC** Téléchargez l'appli gratuite BILT qui vous expliquera le montage étape par étape en 3D.


- US** TOOLS NEEDED:
- ES** HERRAMIENTAS REQUERIDAS:
- FC** OUTILS NECESSAIRES:

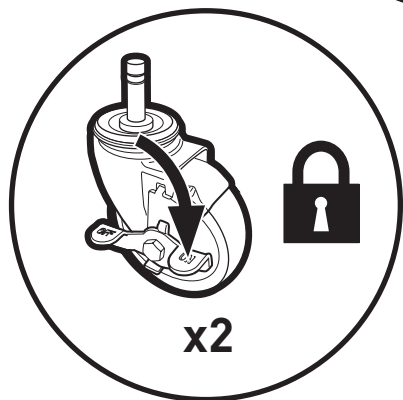
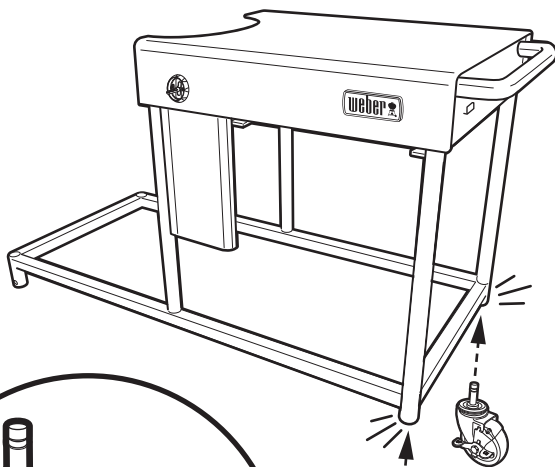


ASSEMBLY · ENSAMBLAJE · ASSEMBLAGE

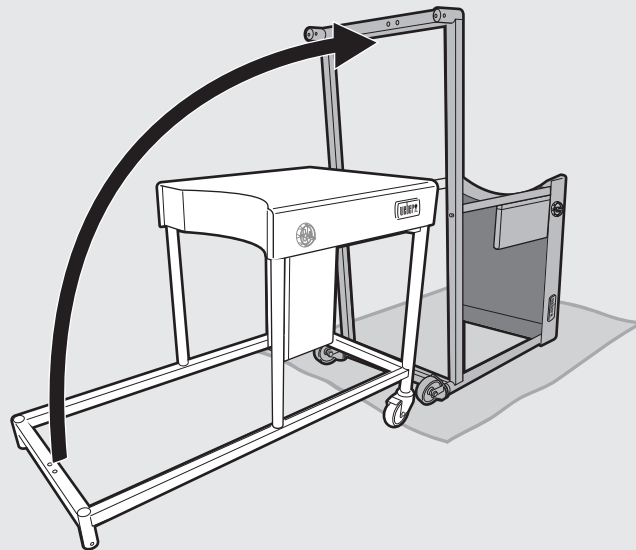
1  x2



2  - 2  x2

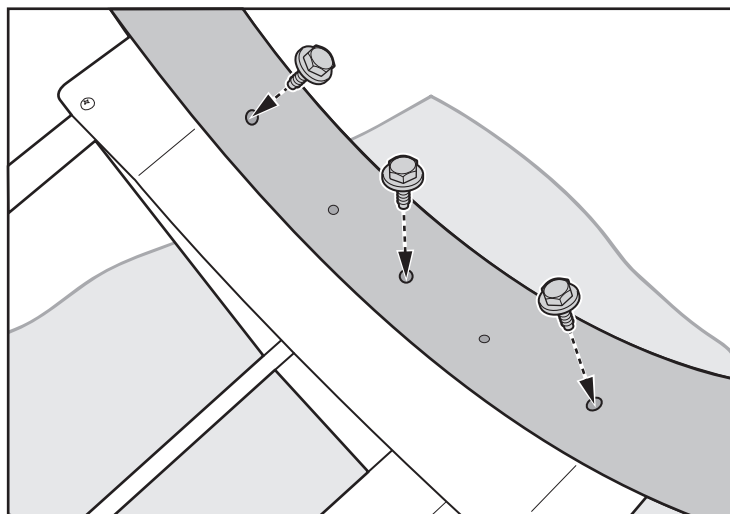
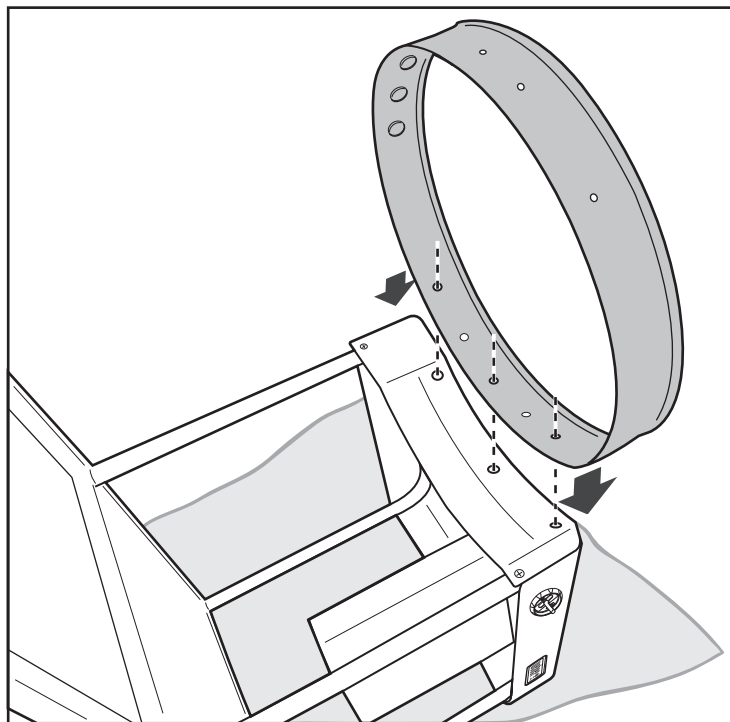


3  x2

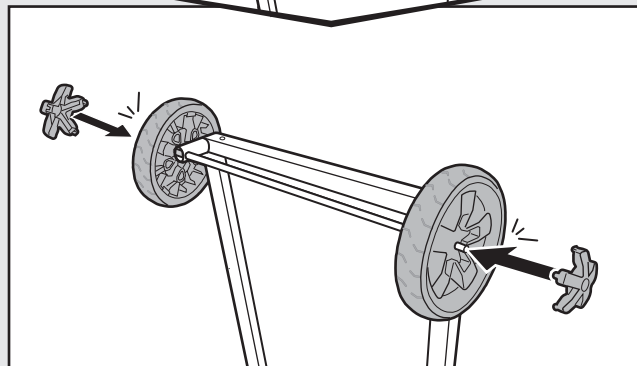
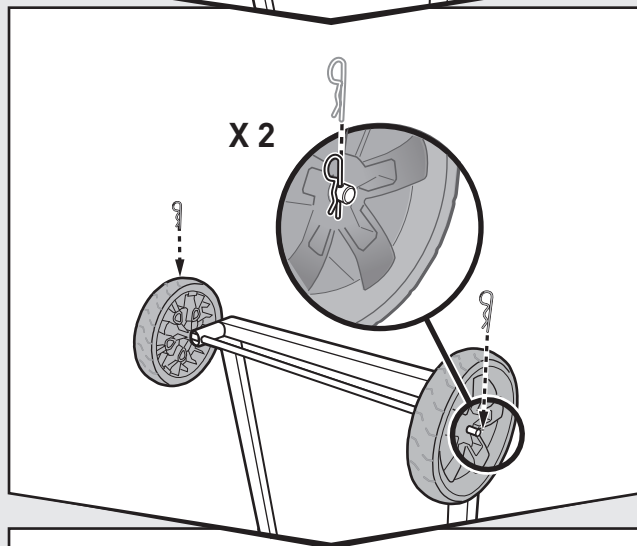
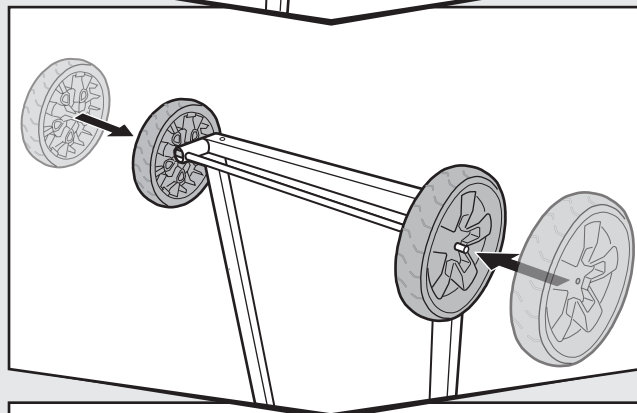
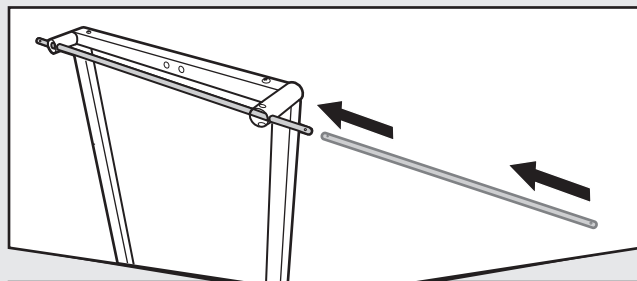


ASSEMBLY · ENSAMBLAJE · ASSEMBLAGE

4

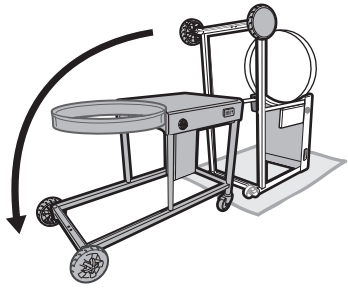


5

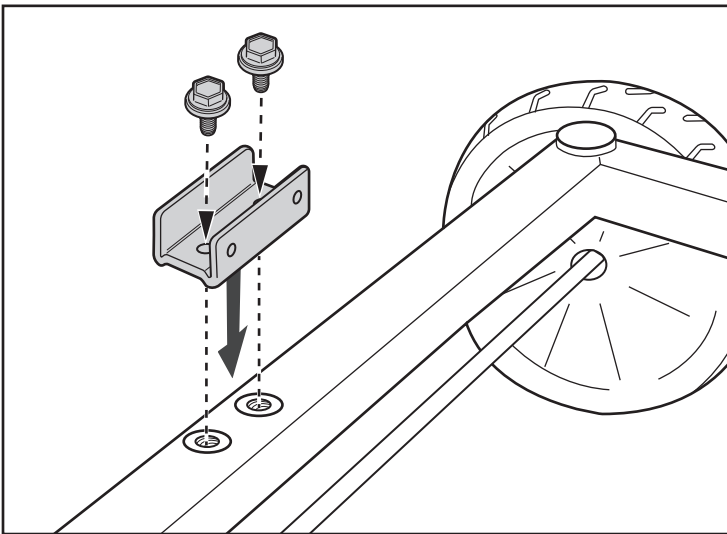


ASSEMBLY · ENSAMBLAJE · ASSEMBLAGE

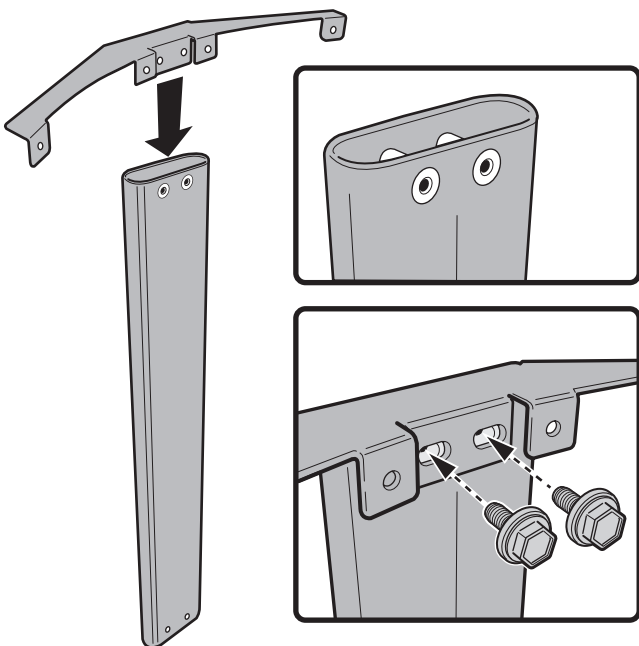
6



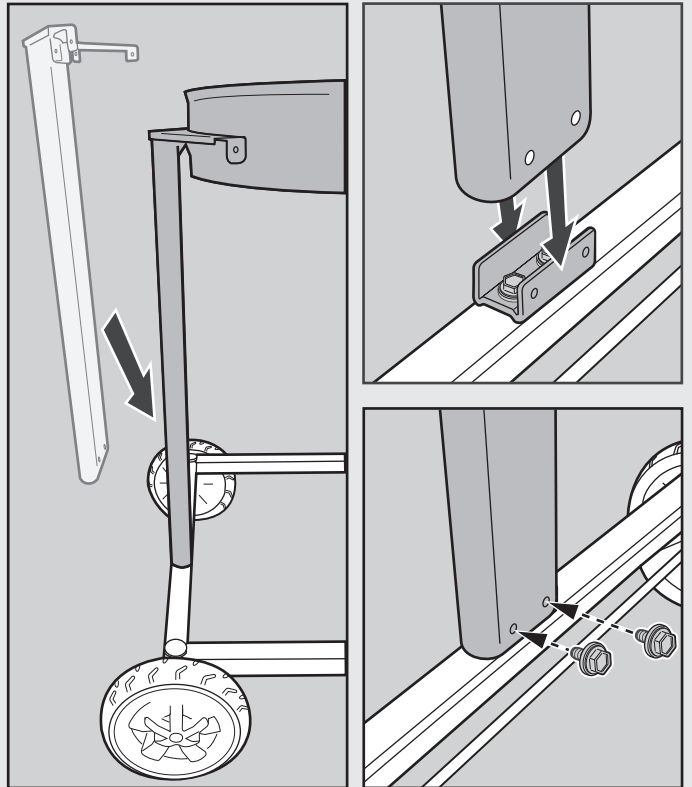
7



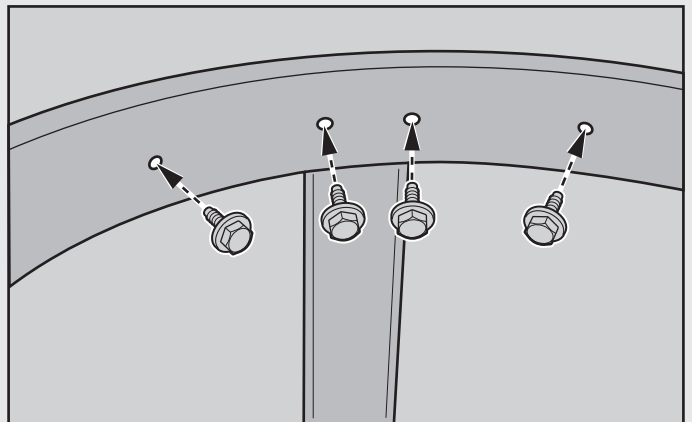
8



9

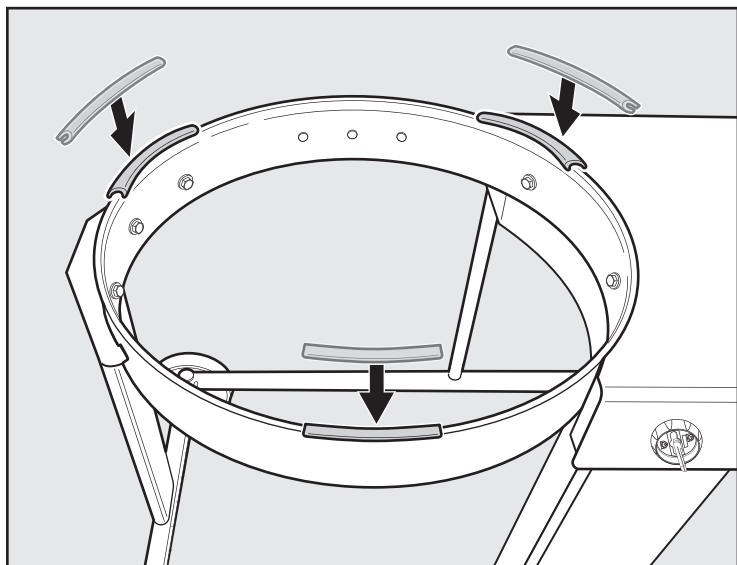
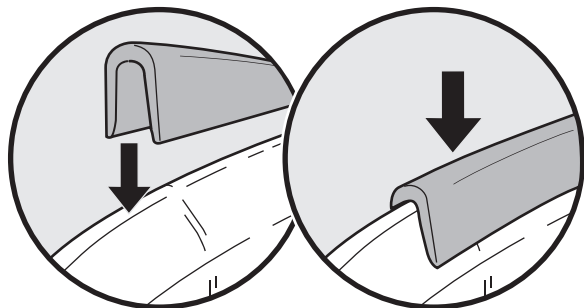


10

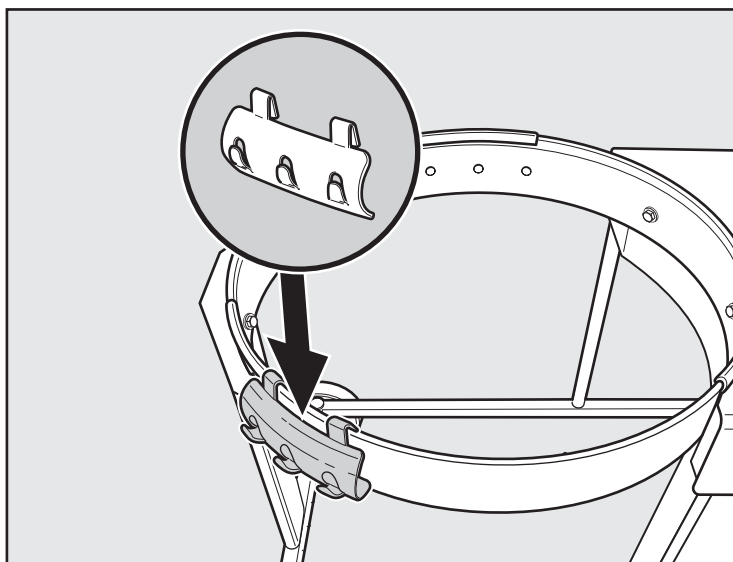


ASSEMBLY · ENSAMBLAJE · ASSEMBLAGE

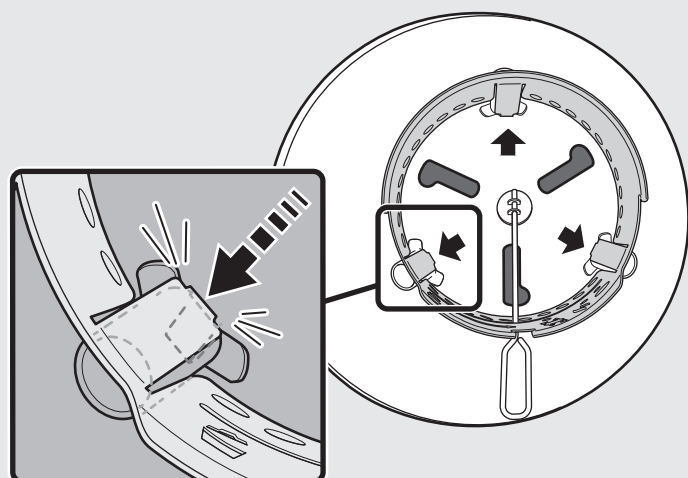
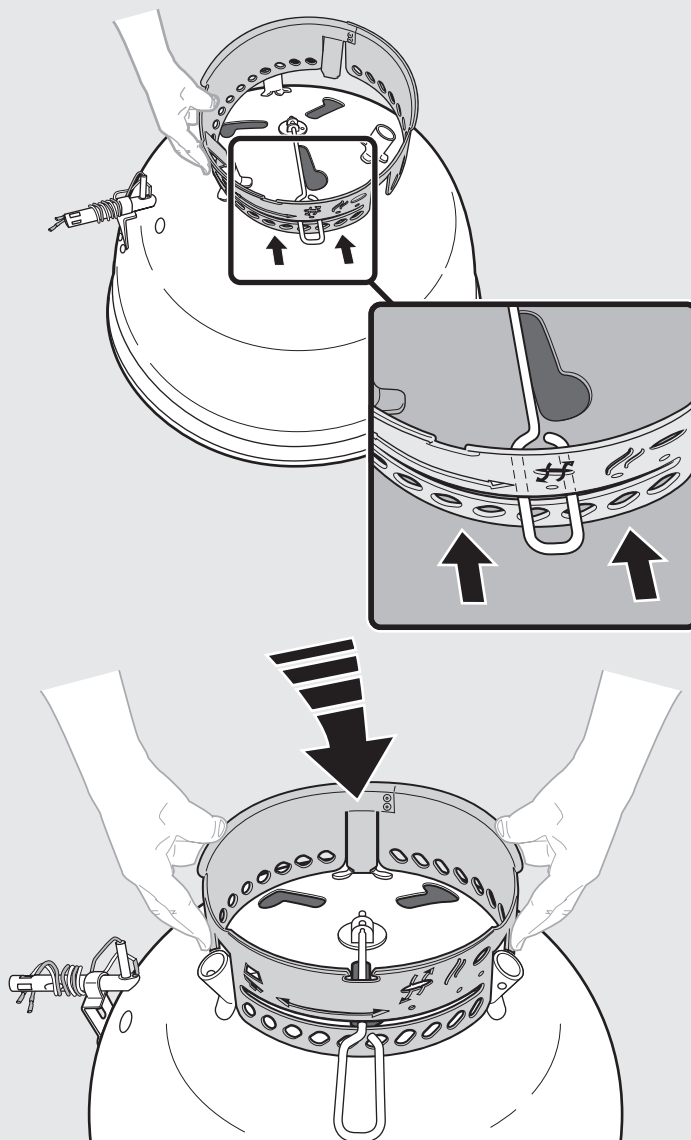
11 - 3



12

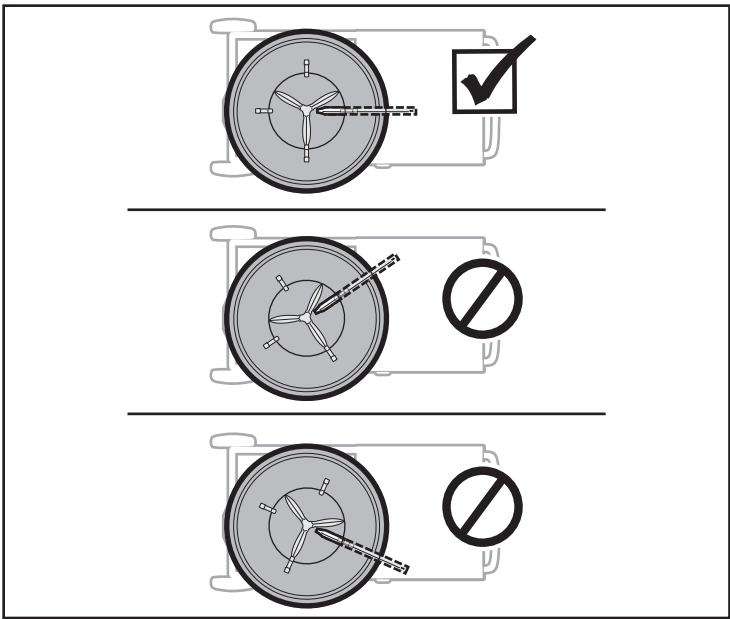
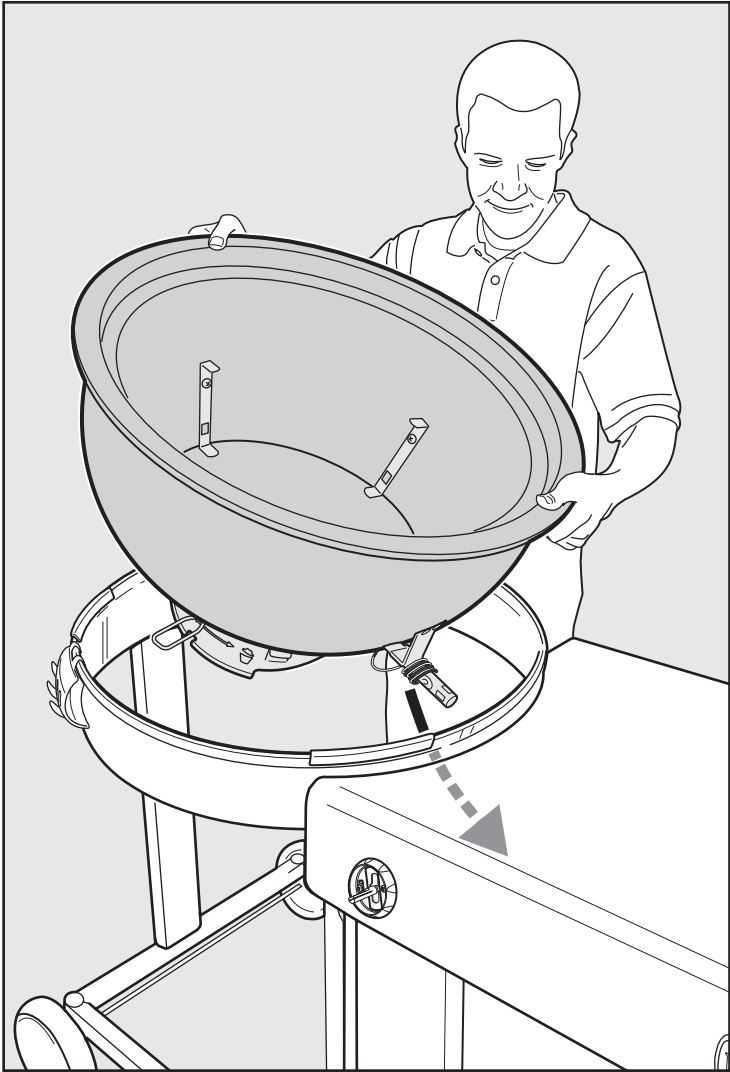


13

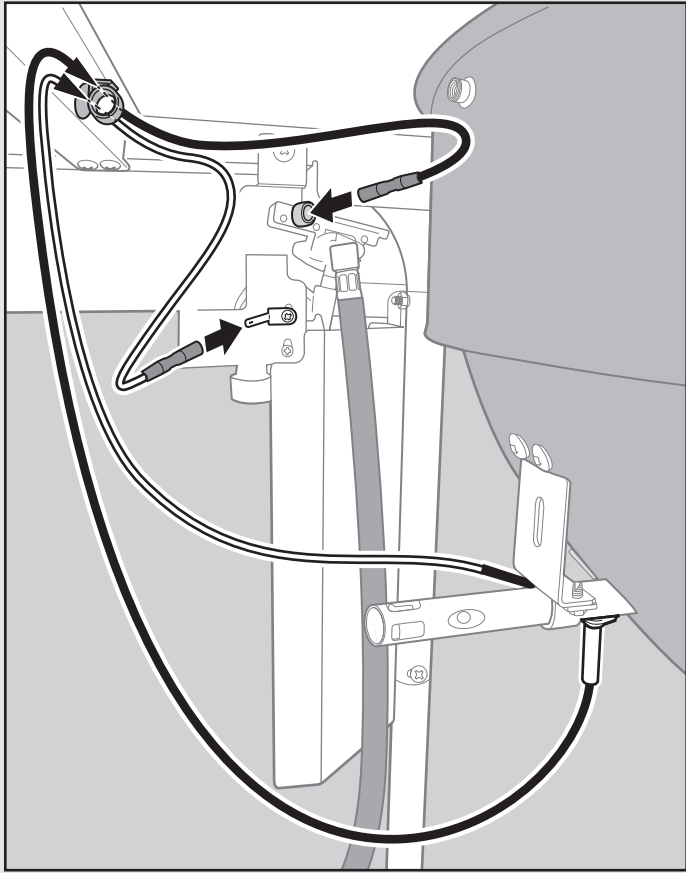
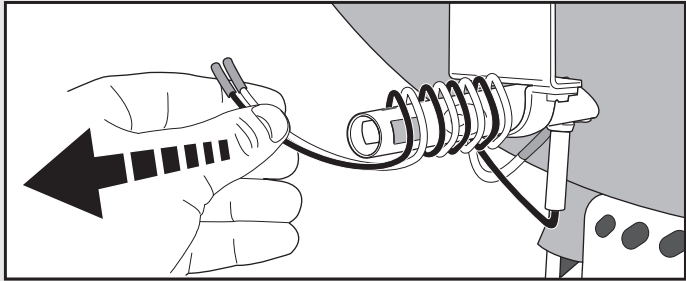


ASSEMBLY · ENSAMBLAJE · ASSEMBLAGE

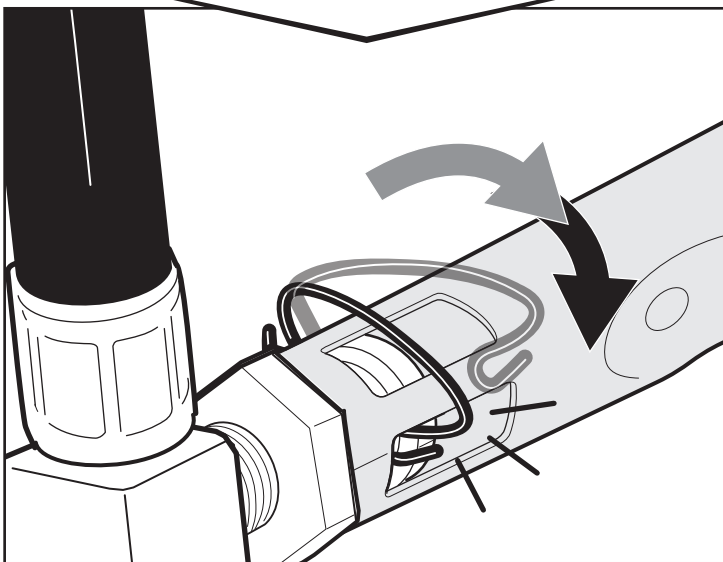
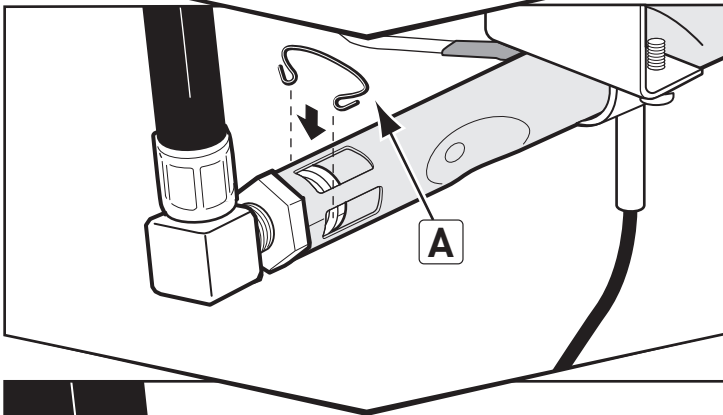
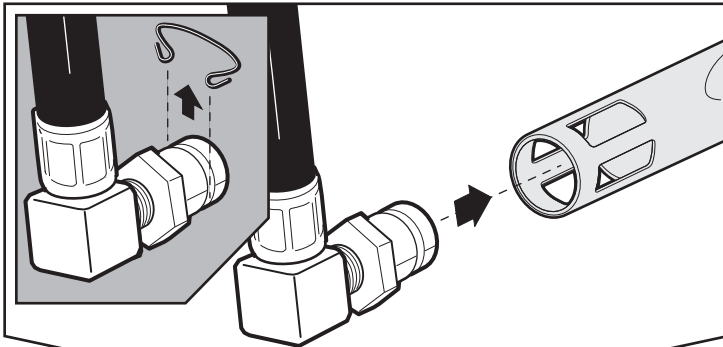
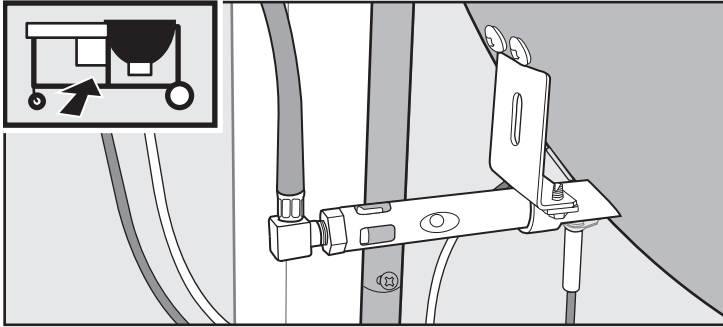
14



15



16



US

⚠ DANGER

Do not use the SNAP-JET gas ignition system if the retaining clip (A) securing the gas line and orifice into the burner tube is missing. A missing retaining clip can cause the gas hose and orifice to move out of the burner tube. This can cause a fire resulting in serious bodily injury or death and damage to property.

⚠ WARNING: Prior to use, pull the gas hose and orifice to make sure that the retaining clip is in place and that the gas hose and orifice is securely attached inside the burner tube.

ES

⚠ PELIGRO

No utilice el sistema de encendido de gas SNAP-JET si la horquilla de retención (A) que asegura el conducto y el orificio del gas en el tubo del quemador no está instalada. Una horquilla de retención faltante puede hacer que la manguera y el orificio del gas se separen del tubo del quemador. Esto puede provocar un incendio que ocasionará lesiones físicas graves o la muerte, así como daños materiales.

⚠ ADVERTENCIA: Antes de usar la barbacoa, hale la manguera y el orificio del gas para asegurarse que la horquilla de retención esté instalada correctamente y que la manguera y el orificio del gas estén firmemente acoplados al interior del tubo del quemador.

FC

⚠ DANGER

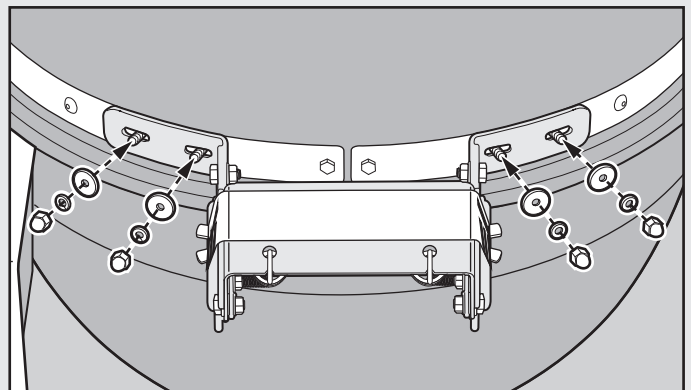
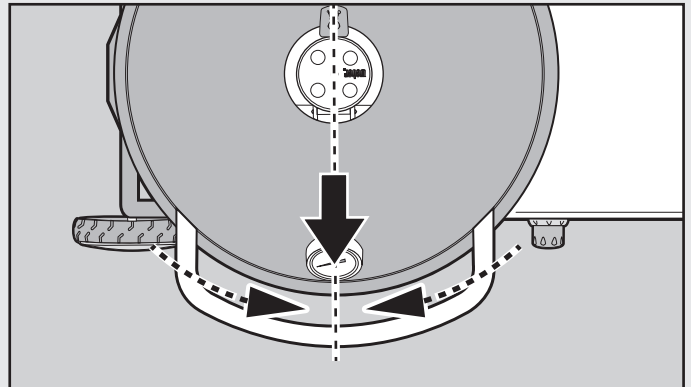
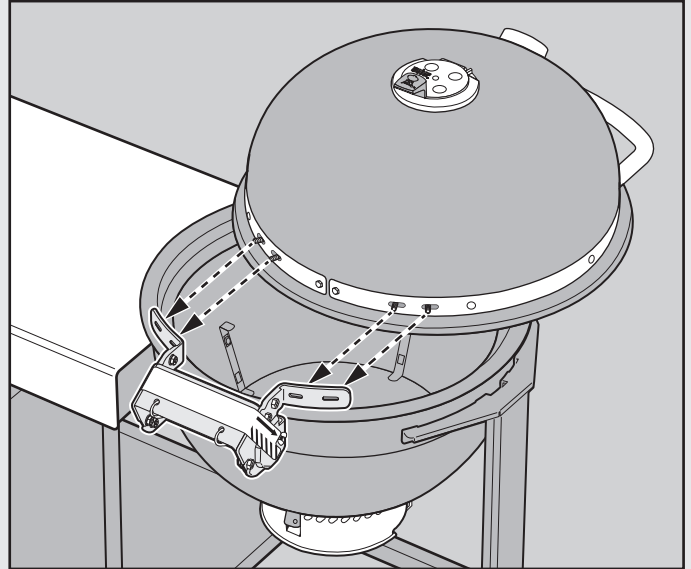
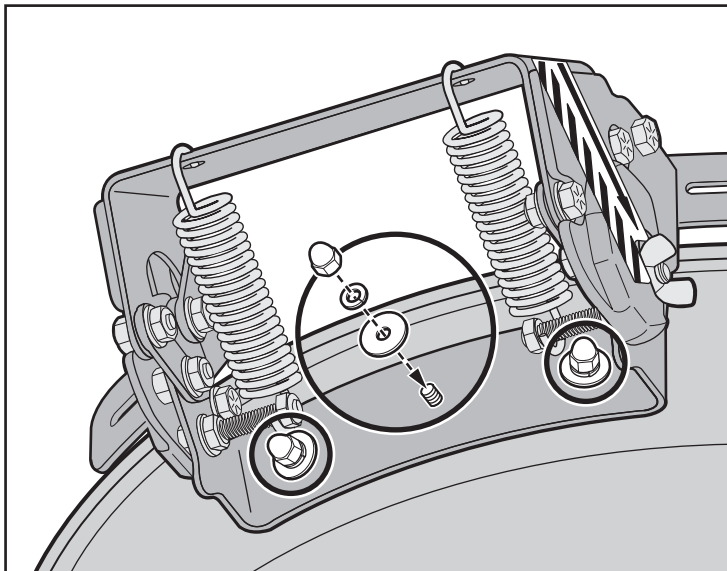
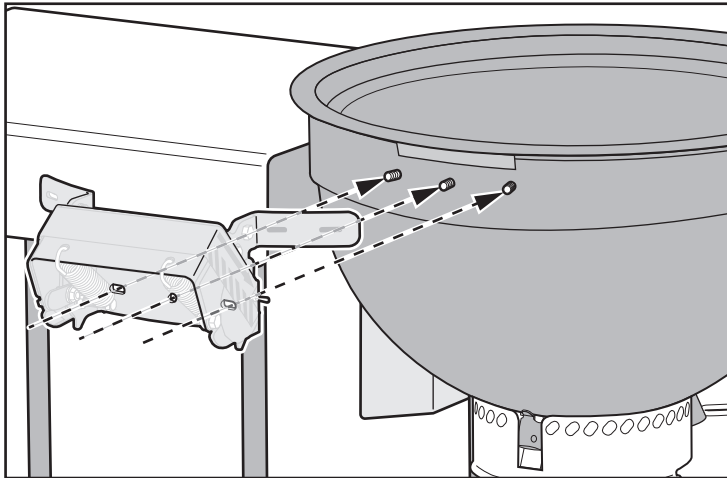
Ne pas utiliser le système d'allumage au gaz SNAP-JET si la bride de retenue (A) qui fixe le flexible de gaz et l'orifice dans le brûleur est manquante. L'absence de bride de retenue peut causer l'expulsion du flexible de gaz et de l'orifice du brûleur. Ceci peut provoquer un départ de feu pouvant causer des blessures graves, voire mortelles, et des dégâts matériels.

⚠ AVERTISSEMENT : Avant utilisation, tirer sur le flexible de gaz et l'orifice pour s'assurer que la bride de retenue est en place et que le flexible de gaz et l'orifice sont solidement attachés à l'intérieur du brûleur.

ASSEMBLY · ENSAMBLAJE · ASSEMBLAGE



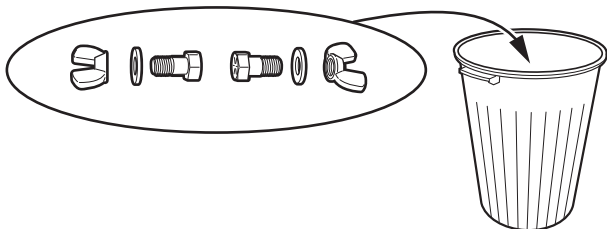
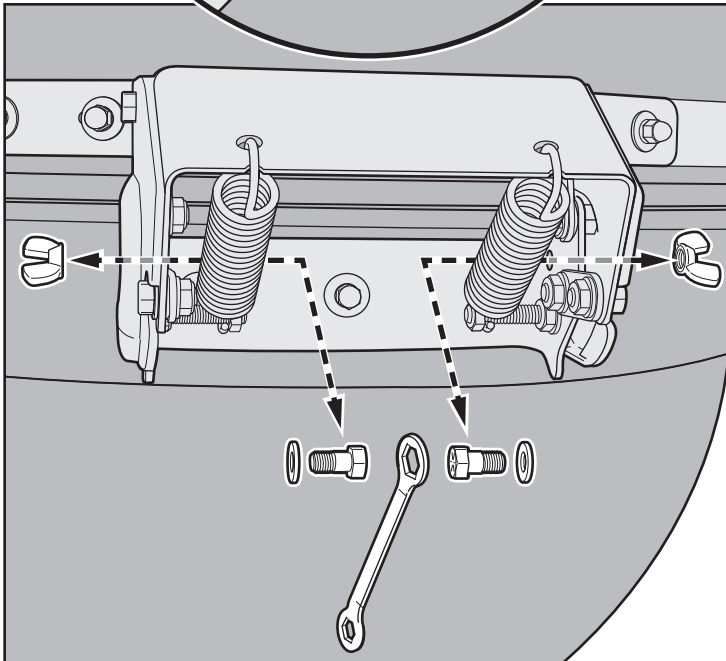
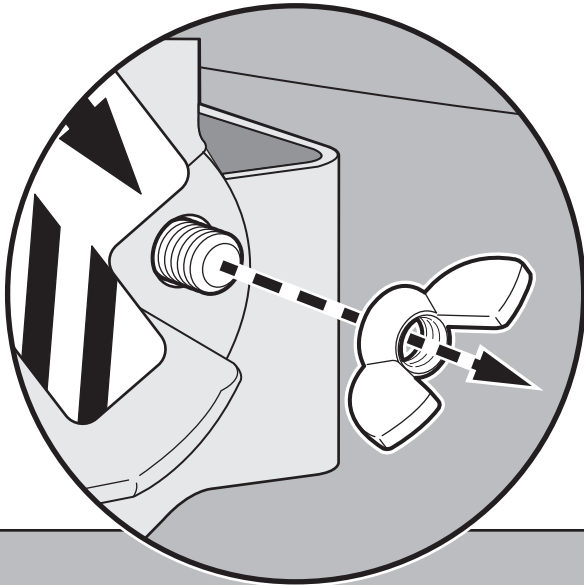
- US** ⚠ **CAUTION: DO NOT REMOVE SAFETY BOLTS UNTIL LID INSTALLATION IS COMPLETE.**
- ES** ⚠ **PRECAUCIÓN: NO quite los pernos de seguridad hasta que la instalación de la tapa se haya completado.**
- FC** ⚠ **ATTENTION : NE PAS ENLEVER LES BOULONS DE SÉCURITÉ TANT QUE L'INSTALLATION DU COUVERCLE N'EST PAS TERMINÉE.**



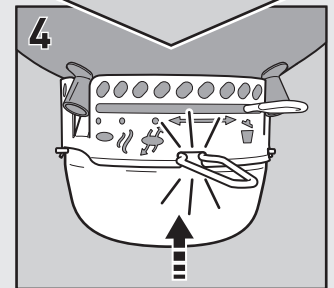
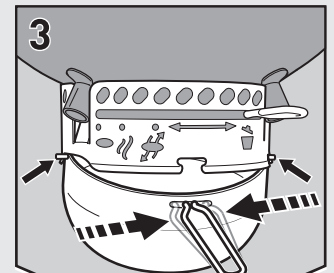
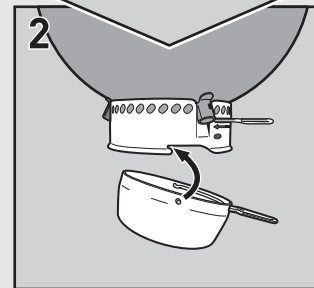
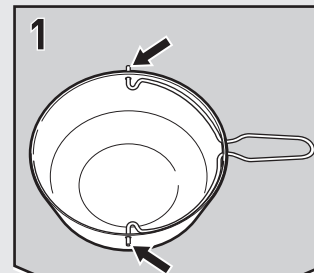
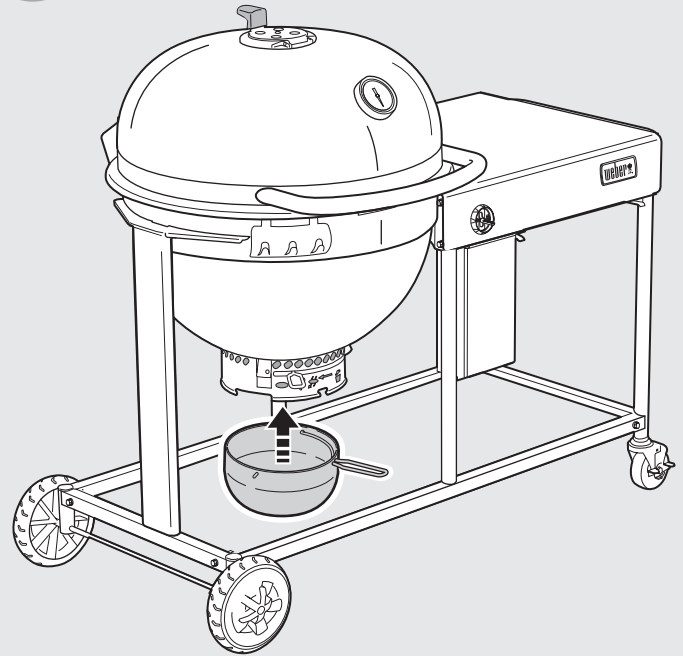
ASSEMBLY · ENSAMBLAJE · ASSEMBLAGE

19

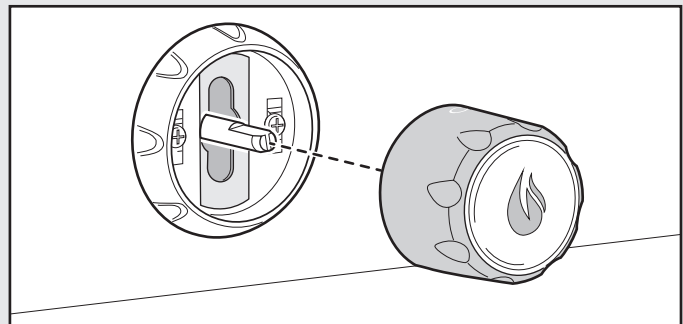
- US DO NOT LIFT THE LID UNTIL THE SAFETY BOLTS ARE REMOVED.
- ES NO LEVANTE LA TAPA SIN ANTES QUITAR LOS PERNOS DE SEGURIDAD.
- FC NE PAS SOULEVER LE COUVERCLE TANT QUE LES BOULONS DE SÉCURITÉ NE SONT PAS ENLEVÉS.



20

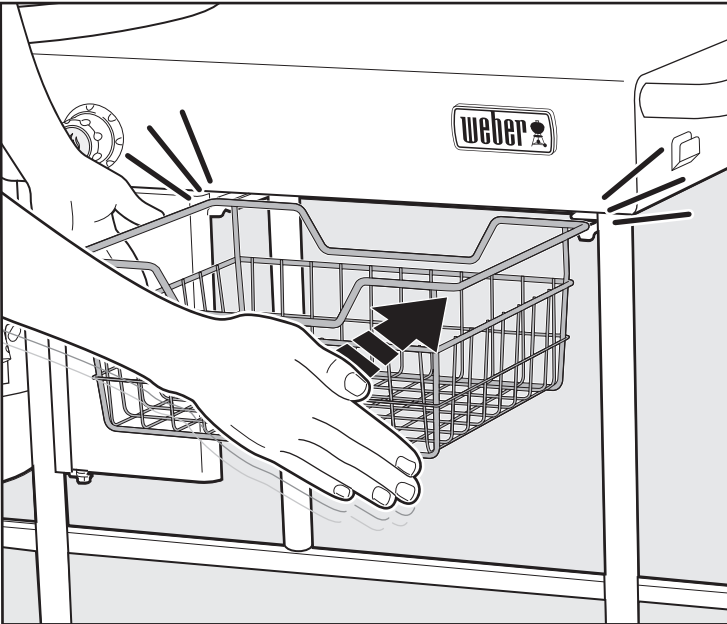
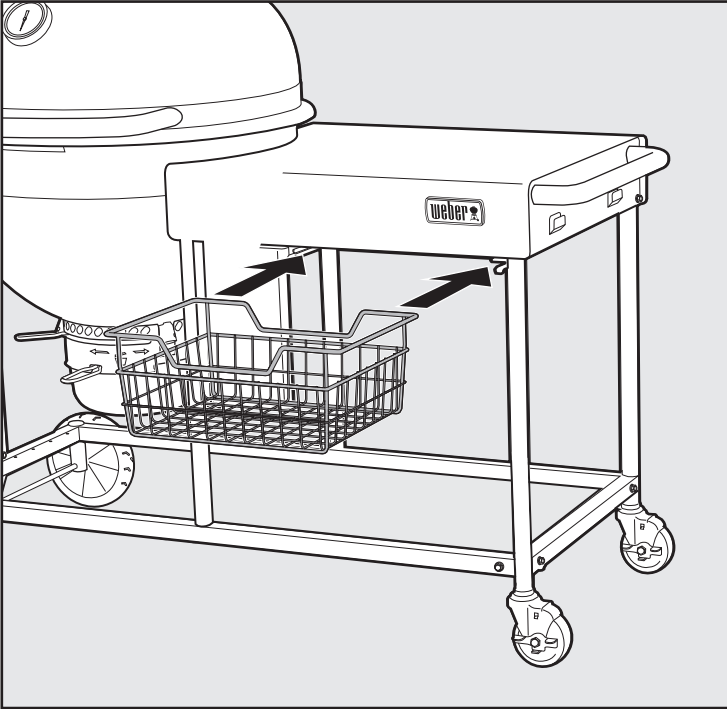


21

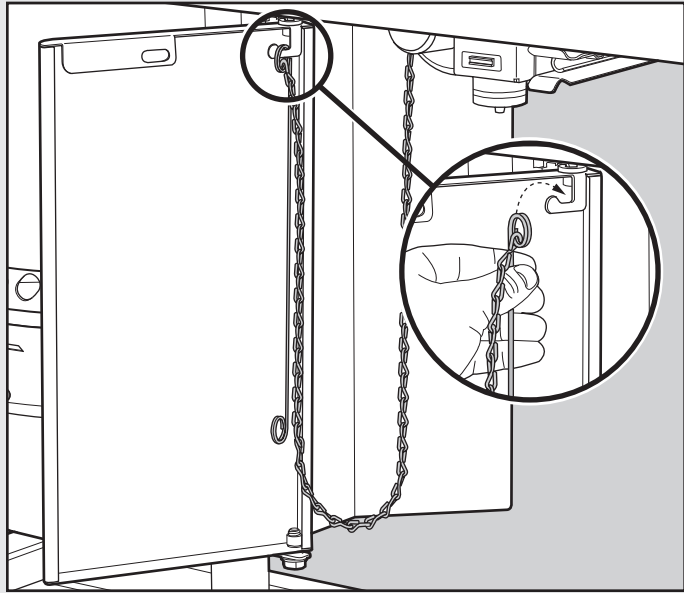


ASSEMBLY · ENSAMBLAJE · ASSEMBLAGE

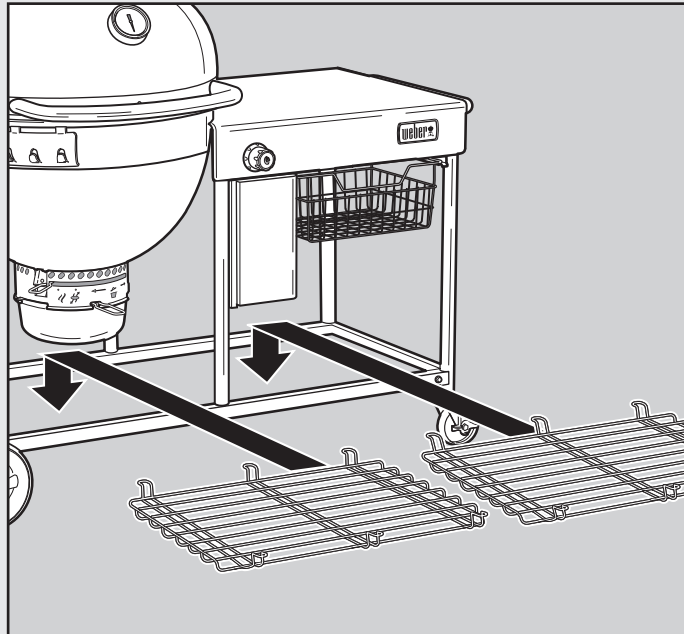
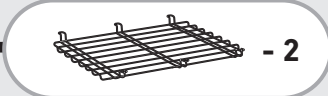
22



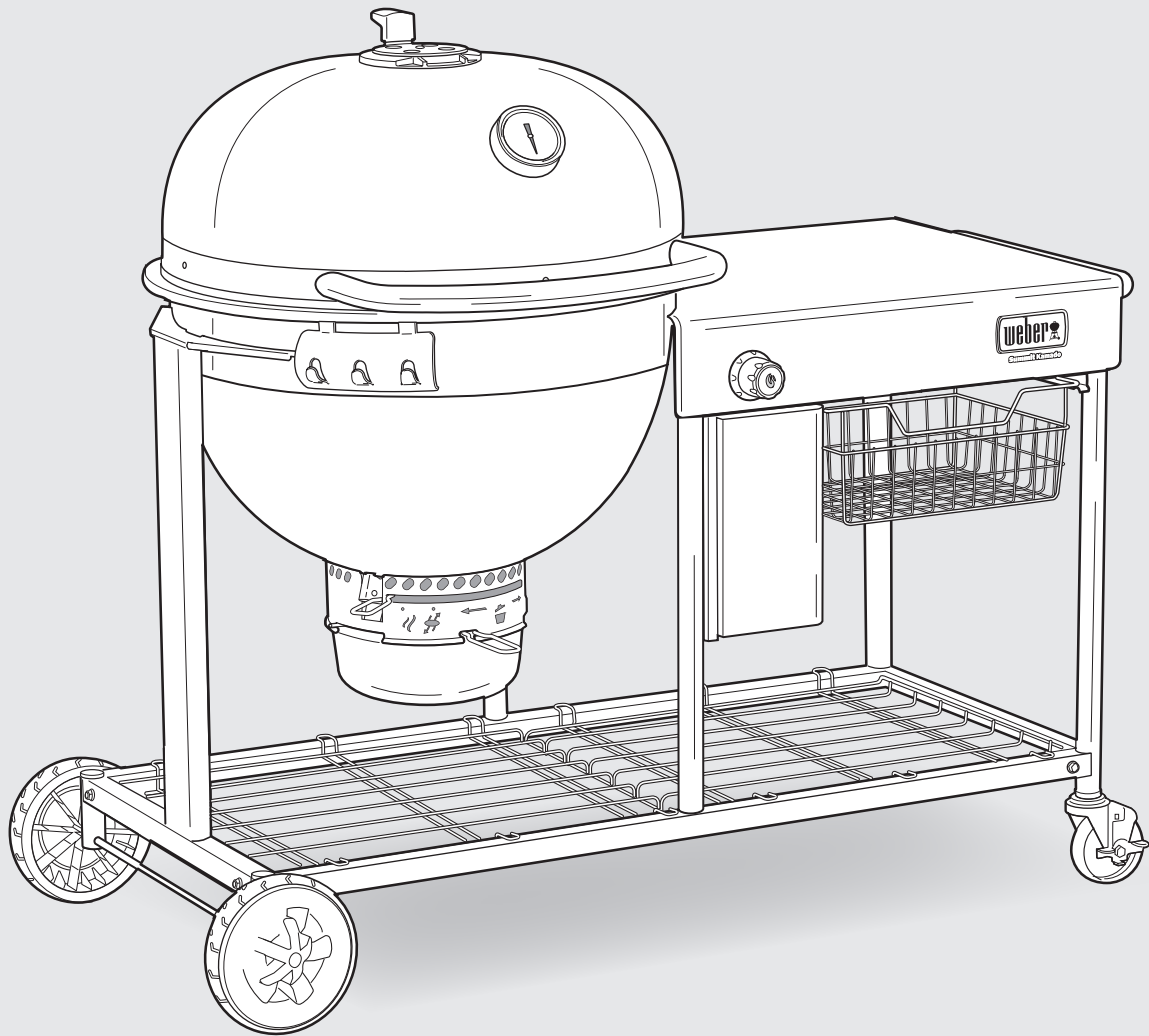
23



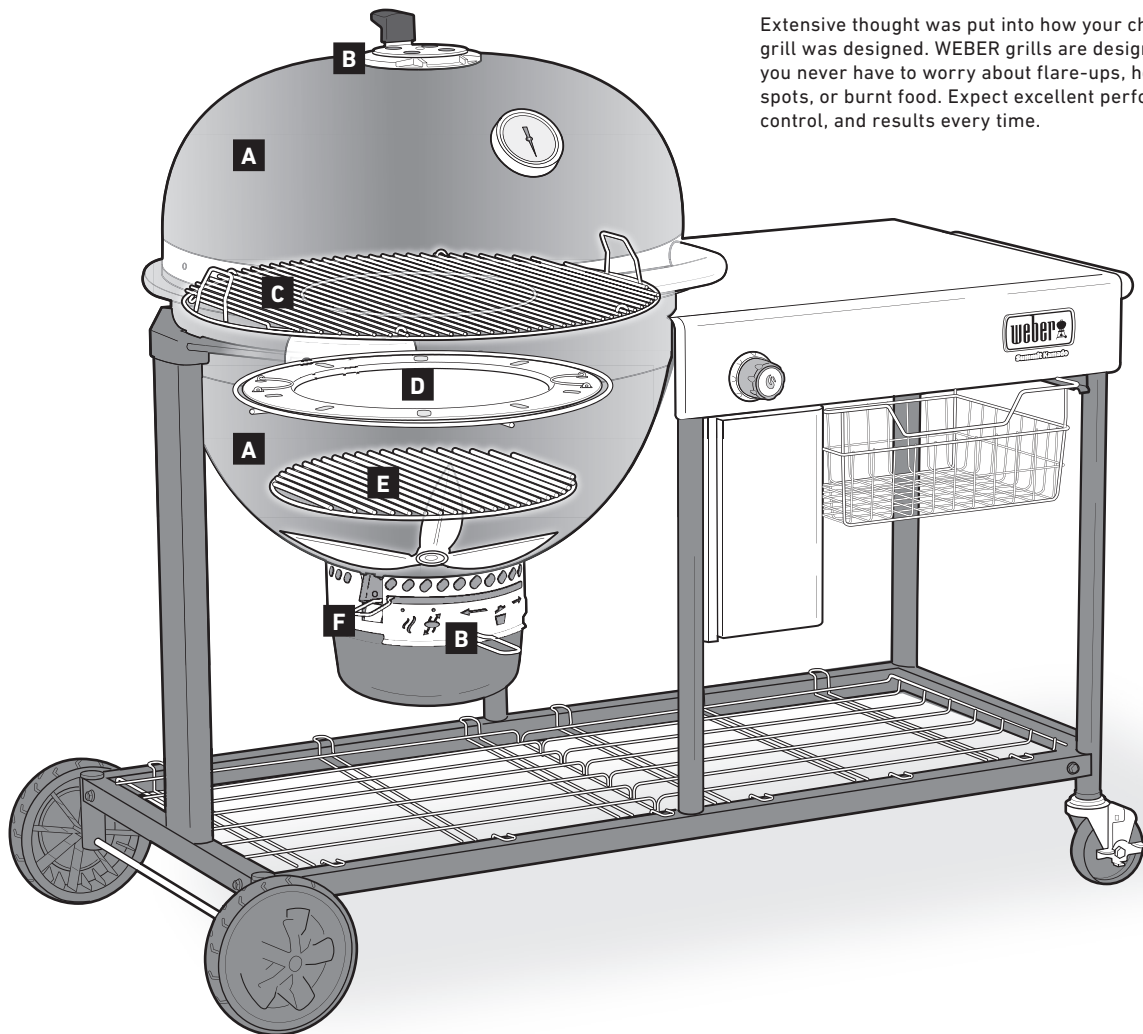
24



ASSEMBLY · ENSAMBLAJE · ASSEMBLAGE



- US** Make sure that all parts are assembled and hardware is fully tightened before operating the grill.
- ES** Asegúrese que todas las partes estén bien montadas y que apretó totalmente todos los herrajes antes de poner en funcionamiento el asador.
- FC** Veuillez à ce que toutes les pièces soient montées et que la visserie est bien serrée avant d'utiliser le barbecue.



Extensive thought was put into how your charcoal grill was designed. WEBER grills are designed so that you never have to worry about flare-ups, hot and cold spots, or burnt food. Expect excellent performance, control, and results every time.

A Bowl and Lid

The air-insulated, double-wall bowl and lid retain heat for longer cook times and excellent temperature control. The unique kettle shape of your SUMMIT charcoal grill allows for true convection cooking.

B Dampers and Vents

A major component in charcoal grilling is air. The more air allowed into the grill, the hotter the fire will grow (to a point) causing the charcoal to burn much faster. The bowl vent on the bottom of the grill should be open while grilling or in the smoke position while smoking. The top damper is used to control the temperature within the grill; however, should never be completely closed.

C Cooking Grate

Made of heavy-duty stainless steel, the cooking grate provides ample area to make all of your favorite meals.

D Diffuser Plate

The stainless steel diffuser plate is used to maintain a consistent temperature and to direct heat and smoke around the food. It is always used while smoking. However, it can also be used while cooking indirectly to maximize grilling space.

E Fuel Grate

The fuel grate has what it takes to withstand the heat of any charcoal fire. Made of heavy-duty steel, this durable grate will not warp or burn through. The grate can be moved to a higher position in the bowl for grilling and lower position for smoking.

F ONE-TOUCH Cleaning System

The stainless steel ONE-TOUCH cleaning system makes cleanup hassle free. As you move the handle back and forth, the three blades in the bowl move ash from the bottom of the grill into the high capacity ash catcher for quick and clean ash removal. These same vents act as a bowl damper, to help bring oxygen up to the fire or to allow you to easily extinguish the fire.



The WEBER SUMMIT KAMADO S6 isn't just your typical grill. The top-of-the-line features and innovative design allow you to grill or smoke your food with convenience and ease.

A GOURMET BBQ SYSTEM

The GOURMET BBQ SYSTEM cooking grate is the circular center grate within the hinged cooking grate. It is removable and can be replaced with any of the WEBER GOURMET BBQ SYSTEM inserts (sold separately). For a full product line of GOURMET BBQ SYSTEM inserts, visit our website at www.weber.com.

B SNAP-JET Gas Ignition System

Lighting charcoal has never been easier with the SNAP-JET gas ignition system. Simply pile charcoal above the burner tube and ignite it with the burner control knob.

C High Capacity Ash Catcher

The fully enclosed high capacity ash catcher keeps ashes from blowing around and easily detaches for quick and clean ash removal. (Not pictured)

D Stainless Steel Diffuser Plate

This specially designed diffuser plate is used specifically for smoking food, as well as indirect cooking.

E Built-In Thermometer

The large, durable, built-in lid thermometer allows you to easily monitor your grill's temperature. The "smoke" zone on the thermometer indicates when the grill has reached the ideal temperature for smoking.

F RAPIDFIRE Lid Damper

The hinged RAPIDFIRE lid damper maximizes airflow and increases temperature quickly to get you up and grilling within 20 minutes. It also aids in a quick temperature recovery rate.

G Fuel Storage Bag

The portable fuel storage bag stores up to 20 lbs of charcoal and ensures that the fuel stays dry and is protected from the elements.

H Easy-Open Lid Hinge

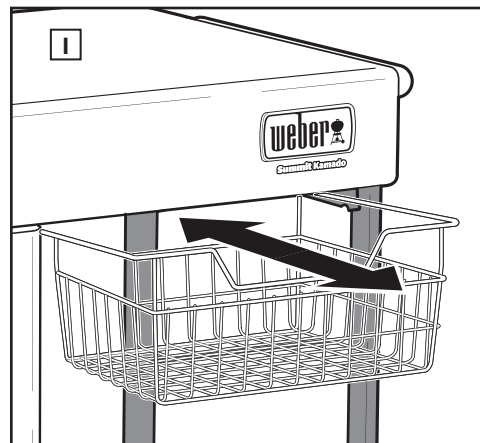
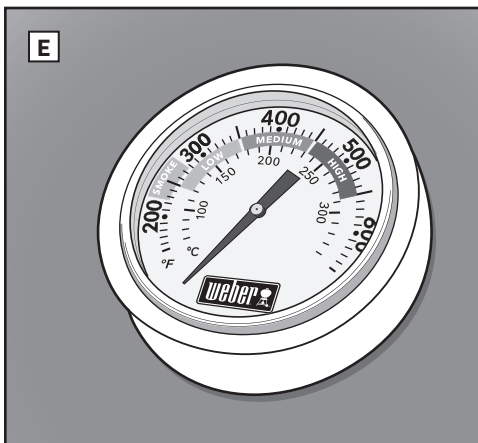
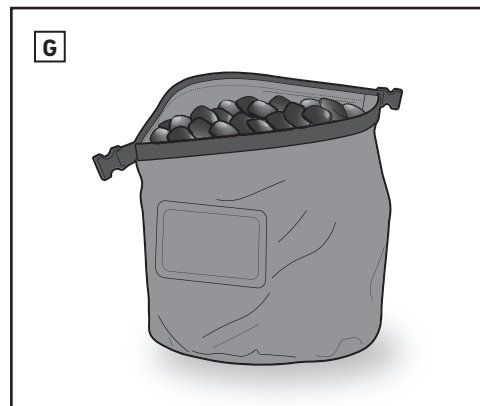
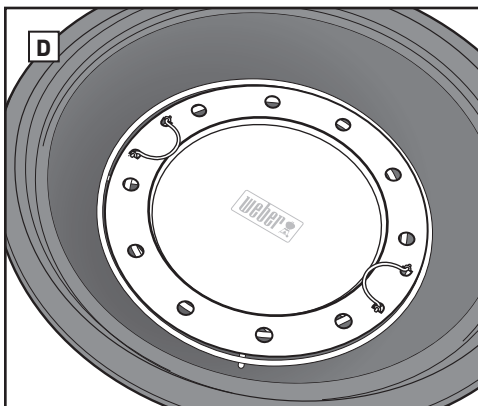
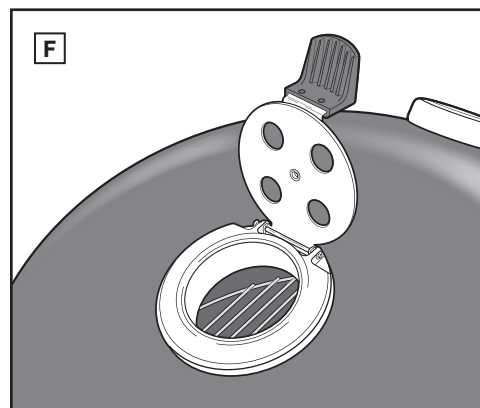
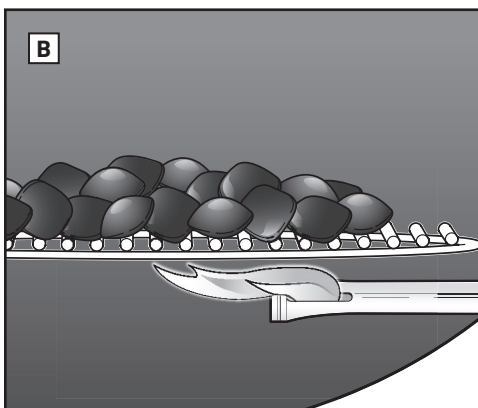
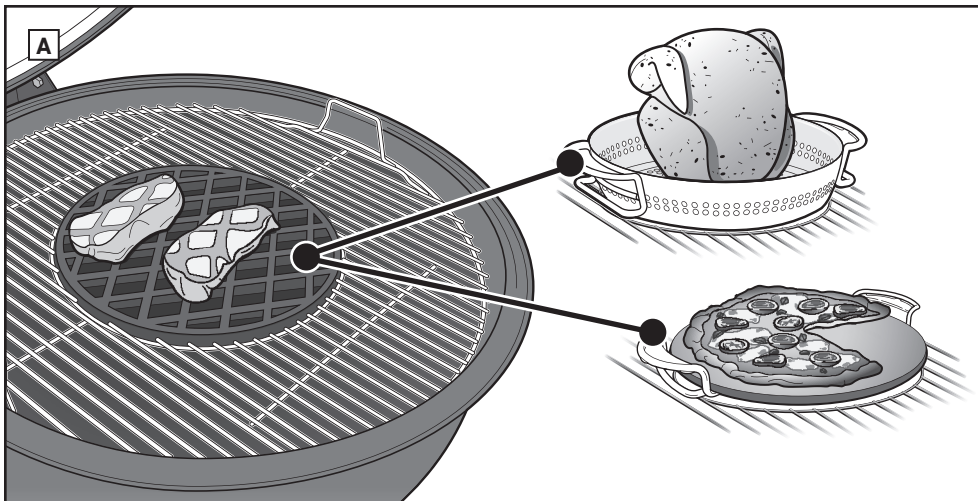
The lid of your grill was designed with a spring hinge to make opening and closing the lid simple and safe. The hinge prevents the lid from slamming shut, preventing possible injury or damage to the grill. (Not pictured)

I Stainless Steel Wire Basket

Removable stainless steel wire basket is great for storing accessories and barbecuing tools. Conveniently located under the stainless steel table for easy access while barbecuing.

J Bowl Vents for Low Temperature Grilling and Smoking

The shape of these bowl vents allow the perfect amount of airflow for low temperature grilling and smoking. (Not pictured)





IMPORTANT INFORMATION ABOUT LP GAS & GAS CONNECTIONS

WHAT IS LP GAS?

Liquefied petroleum gas, also called LP, LP gas, liquid propane, or simply propane or butane, is the flammable, petroleum-based product used to fuel your grill. It is a gas at moderate temperatures and pressure when it is not contained. But at moderate pressure inside a container, such as a cylinder, LP is a liquid. As pressure is released from the cylinder, the liquid readily vaporizes and becomes LP gas.

- LP has an odor similar to natural gas. You should be aware of this odor.
- LP is heavier than air. Leaking LP gas may collect in low areas and resist dispersion.

⚠ DANGER

NEVER store a spare LP cylinder under or near WEBER gas appliances. Failure to follow this statement exactly may result in a fire causing death or serious injury.

SAFE HANDLING TIPS FOR LP GAS CYLINDERS

There are various guidelines and safety factors that you need to keep in mind when using LP gas. Carefully follow these instructions before using your WEBER gas grill.

- Do not use a damaged, dented, or rusty LP cylinder.
- Handle "empty" LP cylinders with the same care as you handle full cylinders. Even when an LP cylinder is empty of liquid, there may still be gas pressure inside the cylinder.
- LP cylinders should not be dropped or handled roughly.
- Never store or transport the LP cylinder where temperatures can reach 125° F (51.7° C) (the cylinder will become too hot to hold by hand). For example: do not leave the LP cylinder in a car on a hot day.
- LP cylinders must be kept out of reach of children.

STORAGE AND/OR NONUSE

For grills that have been stored or left unused for a while, it is important to follow these guidelines:

- Disconnect the cylinder if: 1) it is empty; 2) the grill is being stored in a garage or other enclosed area; 3) the grill is being transported; 4) the grill is not in use.
- Place dust cap on cylinder valve outlet when cylinder is not in use.
- Do not store a disconnected LP cylinder in a building, garage, or any other enclosed area.
- The WEBER gas grill should be checked for gas leaks and any obstructions in the burner tube before it is used. (Refer to "CHECKING FOR GAS LEAKS" and "ANNUAL MAINTENANCE.")
- Check that the bowl and the high capacity ash catcher are free from debris that might obstruct the flow of combustion or ventilation air.
- The burner tube should also be checked for any obstructions. (Refer to "ANNUAL MAINTENANCE.")

U.S. INSTALLATION CODES

Installation must conform with local codes or, in the absence of local codes, with the latest edition of the National Fuel Gas Code, ANSI Z223.1/NFPA 54.

CANADIAN INSTALLATION CODES

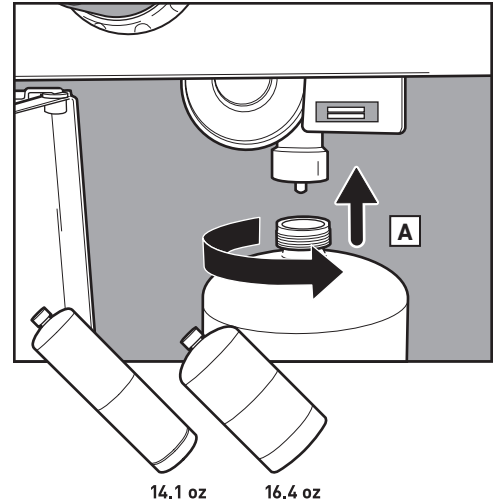
These instructions, while generally acceptable, do not necessarily comply with the Canadian installation codes. In Canada, the installation of this appliance must comply with local codes and/or the latest edition of Standard CAN/CSA-B149.2 (Propane Storage and Handling Code).

NOTE: Your retailer can help you match a replacement cylinder to your grill.

REGULATOR CONNECTIONS

Your WEBER gas grill is equipped with a pressure regulator, which is a device to control and maintain uniform gas pressure as gas is released from the LP cylinder. Each WEBER pressure regulator is designed for vapor withdrawal.

- The pressure regulator supplied with the WEBER gas grill must be used. This regulator is set for 11 inches of water column pressure.



BURNER USAGE

The gas burner feature on your SUMMIT charcoal grill operates at 10,000 BTU's. It is for igniting the charcoal only. It should never be used for cooking.

INSTALLING THE LP CYLINDER

Use disposable LP cylinders with a capacity of either 14.1 oz. or 16.4 oz. equipped with a CGA #600 connection.

⚠ CAUTION: Use cylinders that are marked "Propane Fuel" only.

1. Make sure that the burner control knob is turned off by pushing it in and turning it clockwise to the off (O) position.
2. Push the propane cylinder into the regulator and turn clockwise until tight (A).

⚠ WARNING: Do not use a wrench to tighten the connection. Using a wrench could damage the regulator coupling and could cause a leak.

REMOVING THE LP CYLINDER

When your LP cylinder needs to be replaced, follow these instructions to remove it.

1. Make sure that the burner control knob is turned off by pushing it in and turning it clockwise to the off (O) position.
2. Unscrew propane cylinder from regulator.



WHAT IS A LEAK CHECK?

The fuel system in your grill features connections and fittings. A leak check is a reliable way to make sure that no gas is escaping from any of the connections or fittings.

Although all factory-made connections have been thoroughly checked for gas leaks, it's important to perform a leak check before using your grill for the first time, as well as anytime you disconnect and reconnect a fitting and each time you perform routine maintenance.

⚠ DANGER

Do not use an open flame to check for gas leaks. Be sure that there are no sparks or open flames in the area while you check for leaks. Sparks or open flames will result in a fire or explosion, which can cause serious bodily injury or death and damage to property.

⚠ WARNING: The gas connections of your gas grill have been factory tested. We do, however, recommend that you leak check all gas connections before operating your gas grill.

⚠ WARNING: Perform these leak checks even if your grill was dealer or store assembled.

⚠ WARNING: Check for gas leaks every time you disconnect and reconnect a gas fitting.

NOTE: All factory-made connections have been thoroughly checked for gas leaks and the burner has been flame-tested. As a safety precaution, however, you should check all fittings for leaks before using your WEBER gas grill. Shipping and handling may loosen or damage a gas fitting.

CHECKING FOR GAS LEAKS

You will need: A spray bottle or brush or rag and a soap and water solution. (You can make your own soap and water solution by mixing 20% liquid soap with 80% water; or, you can purchase leak check solution in the plumbing section of any hardware store.)

1. Make sure burner control knob is turned off by pushing it in and turning it clockwise to the off (O) position.

⚠ WARNING: Do not ignite burner when leak checking.

2. To check for leaks, wet fittings with the soap and water solution, using a spray bottle, brush or rag. If bubbles form, or if a bubble grows, there is a leak. Apply the soap and water solution to the following connections:

a. Regulator-to-cylinder connection (A).

⚠ WARNING: If there is a leak at connection (A), remove propane cylinder. DO NOT OPERATE THE GRILL. Install a different propane cylinder and recheck for leaks with soap and water solution. If a leak persists after installing a different propane cylinder, remove propane cylinder. DO NOT OPERATE THE GRILL. Contact the Customer Service Representative in your area using the contact information on our website. Log onto: www.weber.com.

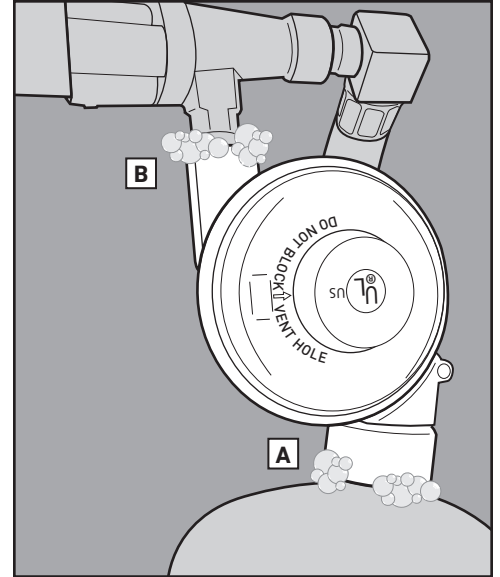
b. Valve-to-regulator connection (B).

⚠ WARNING: If there is a leak at connection (B), remove the propane cylinder. DO NOT OPERATE THE GRILL. Contact the Customer Service Representative in your area using the contact information on our website. Log onto: www.weber.com.

3. When leak checking is complete, rinse connections with water.

NOTE: Since some leak test solutions, including soap and water, may be slightly corrosive, all connections should be rinsed with water after checking for leaks.

Now you are ready to use your grill.



REPLACEMENT HOSE, REGULATOR AND VALVE ASSEMBLY

⚠ IMPORTANT NOTICE:

We recommend that you replace the gas hose assembly on your WEBER gas grill every five years. Some countries may have requirements that the gas hose be replaced within less than five years, in which case that country's requirement would take precedence.

For replacement hose, regulator, and valve assemblies, contact the Customer Service Representative in your area using the contact information on our web site.

Log on to www.weber.com.



BEFORE LIGHTING

Choose a Proper Location to Grill

- Only use this grill outdoors in a well-ventilated area. Do not use in a garage, building, breezeway, or any other enclosed area.
- Keep the grill on a secure, level surface at all times.
- Do not use the grill within 5 feet (1.5 M) of any combustible material. Combustible materials include, but are not limited to, wood or treated wood decks, patios, and porches.

Choose How Much Charcoal to Use

Choosing charcoal or briquette quantity depends on what you are grilling and the size of your grill. If you are grilling small, tender pieces of food that take less than 20 minutes, refer to the *Charcoal Quantity for Direct Heat* chart. If you are grilling or smoking larger cuts of meat that require 20 minutes or more of grilling time, or delicate foods, refer to the *Charcoal Quantity for Indirect Heat* chart. For more details about the difference between direct and indirect cooking, refer to the *GRILLING METHODS* section of this manual.

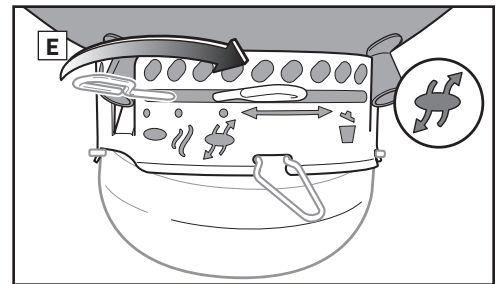
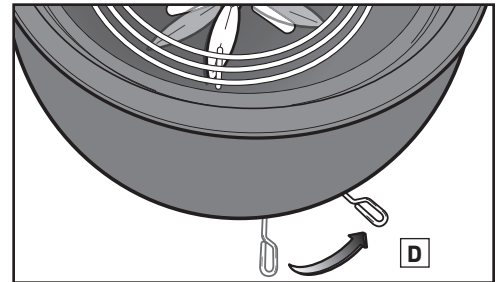
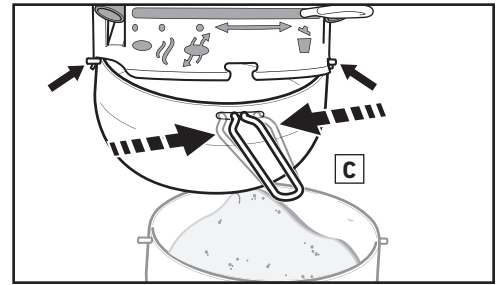
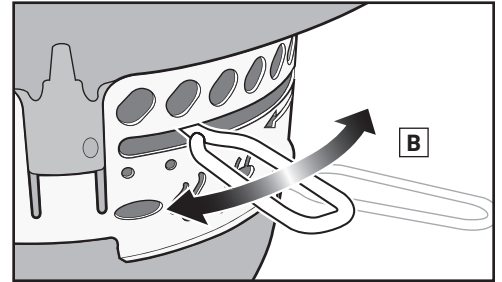
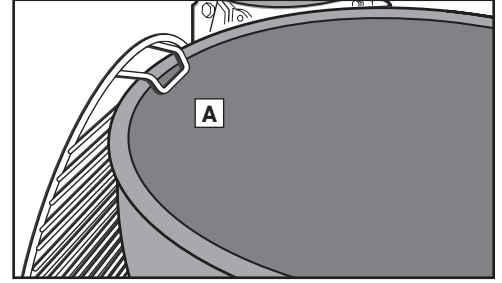
The Very First Time You Grill

It is recommended that the grill be heated up and the fuel kept red hot, with the lid on, for at least 30 minutes prior to cooking for the first time to burn off any manufacturing residue.

Preparing the Grill for Lighting

1. Open the lid.
2. Remove the cooking grate from the grill. For convenience, hang the cooking grate on the bowl of your grill by its curved handles (A).
3. Remove the charcoal (bottom) grate and clear ashes or chunks of old charcoal from the bottom of the bowl. Charcoal requires oxygen to burn, so be sure that nothing clogs the vents. Using the ONE-TOUCH cleaning system, move the handle back and forth to move ash from the bottom of the grill into the ash catcher (B).
4. Squeeze the ash catcher handle to release it from the grill (C).
5. Open bowl vent by moving the handle all the way to the right (D) or by moving the handle to the open position (E).
6. Reinstall the charcoal (bottom) grate.

Note: Instructions for using lighter fluid was purposely left out of this owner's guide. Lighter fluid is messy and can transmit a chemical taste to your food, while lighter cubes (sold separately) do not. If you choose to use lighter fluid, follow the manufacturer's instructions and NEVER add lighter fluid to a burning fire.



Charcoal Quantity for Direct Heat

Charcoal Briquettes	Lump Charcoal*	WEBER Briquettes
60 briquettes (1½ cups)	3½ cups	40 briquettes (1 cup)

* When measuring charcoal quantities, use the charcoal measuring cup provided with your grill.

Charcoal Quantity for Indirect Heat

Charcoal Briquettes for first hour (per side)	Charcoal Briquettes to add for each additional hour (per side)
30 briquettes (¾ cup)	9 briquettes (¼ cup)

Lump Charcoal* for first hour (per side)	Lump Charcoal* to add for each additional hour (per side)
2 cups	½ cup

WEBER Briquettes for first hour (per side)	WEBER Briquettes to add for each additional hour (per side)
20 briquettes (½ cup)	8 briquettes (¼ cup)

* When measuring charcoal quantities, use the charcoal measuring cup provided with your grill.



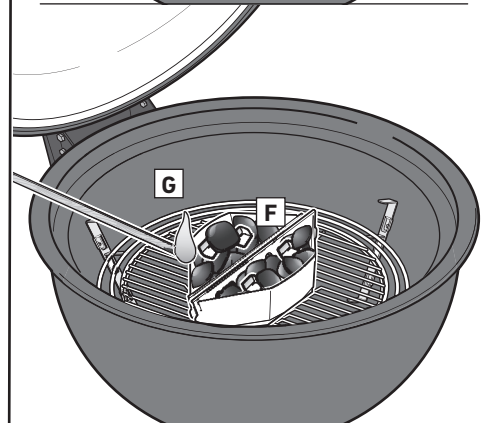
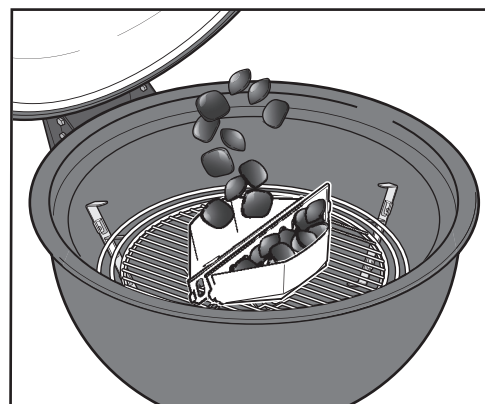
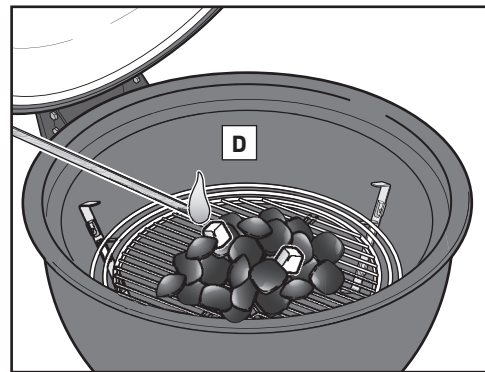
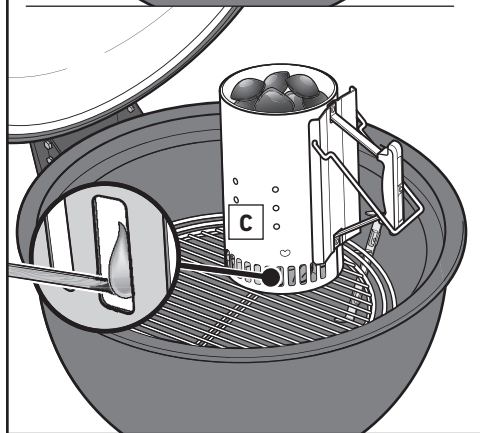
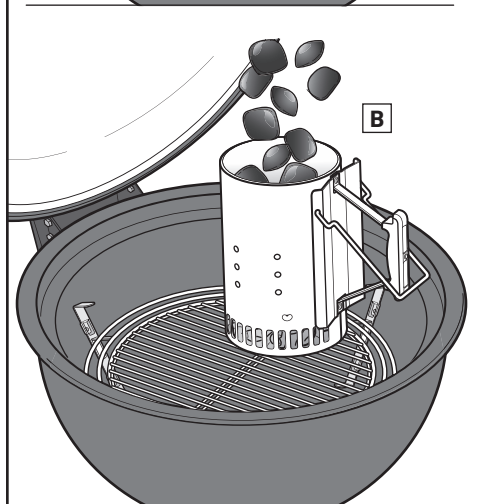
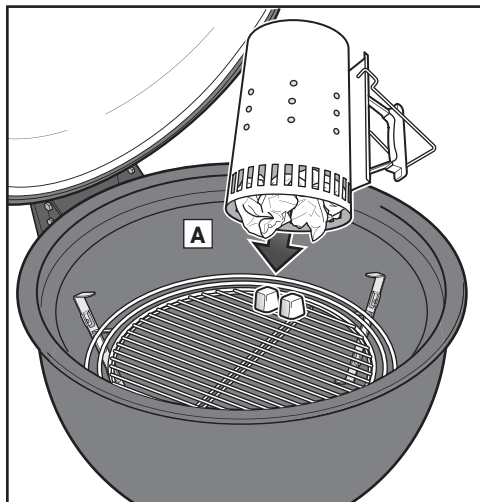
Lighting the Charcoal Using a Chimney Starter

The simplest way to light any kind of charcoal is to use a chimney starter; the WEBER RAPIDFIRE chimney starter (sold separately). Refer to the cautions and warnings included with the RAPIDFIRE chimney starter before lighting. When igniting fuel ensure all dampers are fully opened.

1. Put a few sheets of wadded up newspaper in the bottom of the chimney starter and set the chimney starter on the charcoal grate (A); or put a few lighter cubes near the center of the charcoal grate and place the chimney starter over them.
2. Fill the chimney starter with charcoal (B).
3. Light the lighter cubes or newspaper through the holes on the side of the chimney starter (C).
4. Keep the chimney starter in place until the charcoal is fully lit. You can tell when the charcoal is fully lit when it is covered with a coating of white ash. This can take anywhere from 15 to 30 minutes. Never close the lid with the chimney starter inside the grill.

Note: The lighter cubes used must be completely consumed and the coals ashed over before placing food on the cooking grate.

5. Once the charcoal is fully lit, continue to the following pages for instructions on how to arrange your charcoal and begin cooking according to your desired cooking method.



Lighting the Charcoal Using Lighter Cubes

When igniting charcoal, ensure all lid and bowl dampers are fully opened.

1. Build a pyramid of charcoal in the center of the charcoal (bottom) grate and insert a couple of lighter cubes (sold separately) within the pyramid (D).
2. Using a long match or lighter, light the lighter cubes. The lighter cubes will then ignite the charcoal.
3. Wait for the charcoal to fully light. You can tell when the charcoal is fully lit when it is covered with a coating of white ash. This can take anywhere from 15 to 30 minutes.

Note: The lighter cubes used must be completely consumed and the coals ashed over before placing food on the cooking grate.

4. Once the charcoal is fully lit, continue to the following pages for instructions on how to arrange your fuel and begin cooking according to your desired cooking method.

Lighting the Charcoal Using CHAR-BASKETS

When igniting charcoal, ensure all lid and bowl dampers are fully opened.

1. Place the CHAR-BASKETS on the center of the charcoal grate and fill the CHAR-BASKETS with charcoal (E).
2. Insert a couple of lighter cubes (sold separately) into each of the CHAR-BASKETS (F). Make sure to nestle them within the charcoal.
3. Using a long match or lighter, light the lighter cubes. The lighter cubes will then ignite the charcoal (G).
4. Wait for the fuel to fully light. You can tell when the charcoal is fully lit when it is covered with a coating of white ash. This can take anywhere from 15 to 30 minutes.

Note: The lighter cubes used must be completely consumed and the coals ashed over before placing food on the cooking grate.

5. Once the charcoal is fully lit, continue to the following pages for instructions on how to arrange your charcoal and begin cooking according to your desired cooking method.

⚠ Use heat-resistant barbecue gloves or mitts while cooking, adjusting air vents (dampers), adding charcoal, and handling thermometer or lid.

⚠ Never close the lid with the chimney starter in the barbecue.



BURNER IGNITION - SNAP-JET GAS IGNITION SYSTEM

METHODS OF BURNER IGNITION

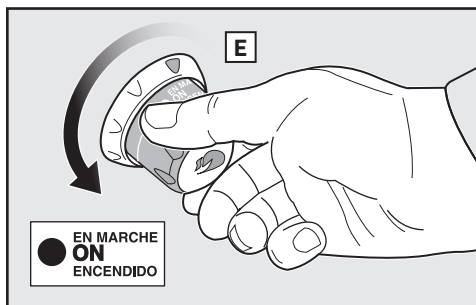
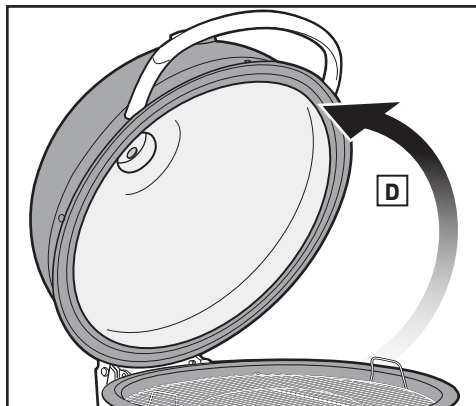
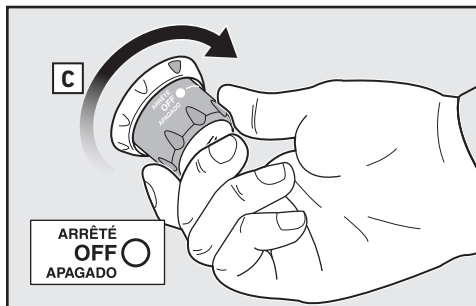
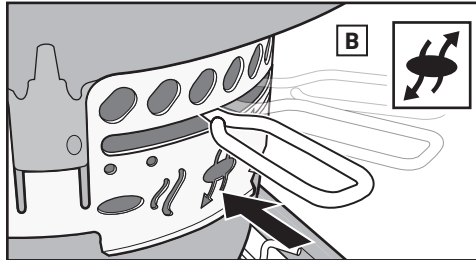
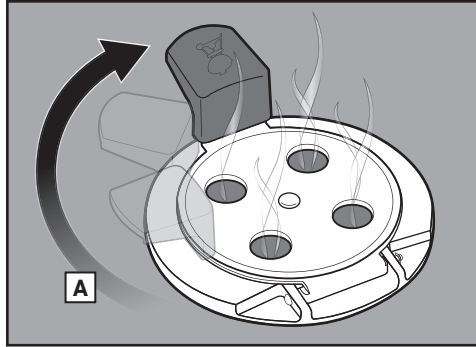
There are two ways to ignite the burner. The first is by using the SNAP-JET gas ignition system built into the burner control knob on your grill. The second is with a match.

Next are the steps for igniting your grill using the SNAP-JET gas ignition system. On the follow page are steps for igniting your grill with a match.

Summarized lighting instructions are also located on the ignition box.

Burner Ignition – Lighting with SNAP-JET Gas Ignition System

1. Rotate the RAPIDFIRE lid damper to the open position (A).
2. Slide the bowl vent arm to the open position (B).
3. Make sure that the burner control knob is turned to the OFF (○) position (C). Check by pushing burner control knob in and turning it clockwise until it stops.
4. Confirm that the cylinder is properly installed. Refer to "INSTALLING THE LP CYLINDER."
5. Open the grill lid (D).



⚠ DANGER

Failure to open the lid before igniting the grill's burner, or not waiting five minutes to allow the gas to clear if the grill does not light, may result in an explosive flare-up which can cause serious bodily injury or death.

6. Position the charcoal on the fuel grate. Refer to the "GRILLING METHODS" sections for proper fuel grate placement and charcoal placement.
7. Push burner control knob in and turn it counterclockwise to the on (●) position (E). You will hear the igniter click. Repeat until burner ignites.
8. Check that the burner is lit by observing a flame.

⚠ WARNING: If burner fails to ignite within five seconds, stop, turn the burner control knob to off, and wait five minutes to allow the gas to clear before you try again or light with a match.

⚠ WARNING: Do not lean over the open grill while igniting.

⚠ CAUTION: Flame may be hard to see on a bright day.

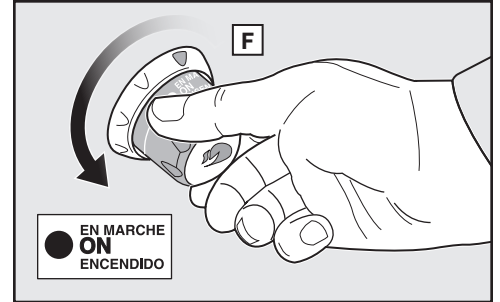
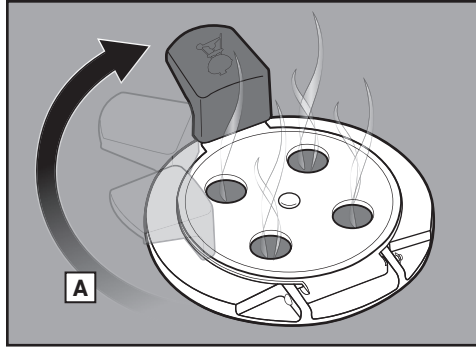
9. Turn the burner control knob to the the OFF (○) position after 12-14 minutes if cooking directly or indirectly. However, if smoking, turn the burner control knob to the the OFF (○) position after 7-10 minutes.

NOTE: The burner is only meant for igniting charcoal, not for cooking. Turn burner control knob off promptly after charcoal is lit to preserve the fuel in your disposable cylinder.



Burner Ignition – Lighting with a Match

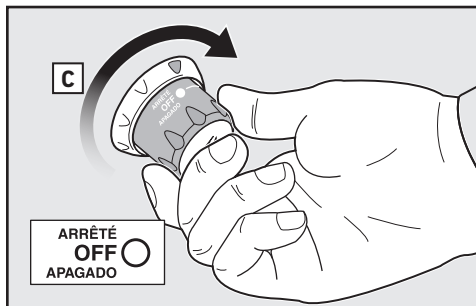
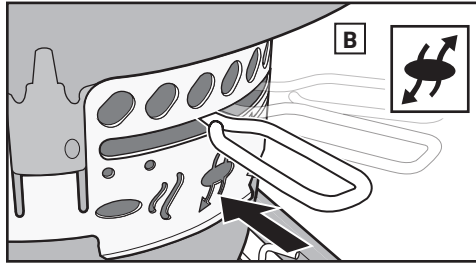
1. Rotate the RAPIDFIRE lid damper to the open position (A).
2. Slide the bowl vent arm to the open position (B).
3. Make sure that the burner control knob is turned to the OFF (O) position (C). Check by pushing burner control knob in and turning it clockwise until it stops.
4. Confirm that the cylinder is properly installed. Refer to "INSTALLING THE LP CYLINDER."
5. Open the grill lid (D).



⚠ DANGER

Failure to open the lid before igniting the grill's burner, or not waiting five minutes to allow the gas to clear if the grill does not light, may result in an explosive flare-up which can cause serious bodily injury or death.

6. Refer to the "GRILLING METHODS" sections for proper fuel grate placement and charcoal placement. Position the charcoal on the fuel grate.
7. Insert match into the matchstick holder (attached to the inside of the door) and strike the match. Insert matchstick holder with lit match under charcoal next to the tip of the burner tube (E).



⚠ **WARNING: Do not place hand directly above burner when match lighting.**

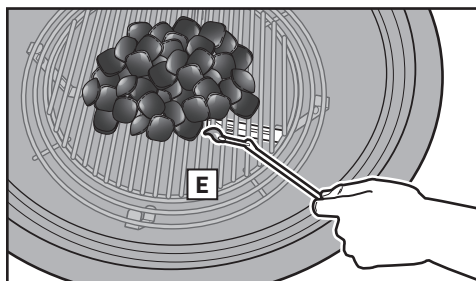
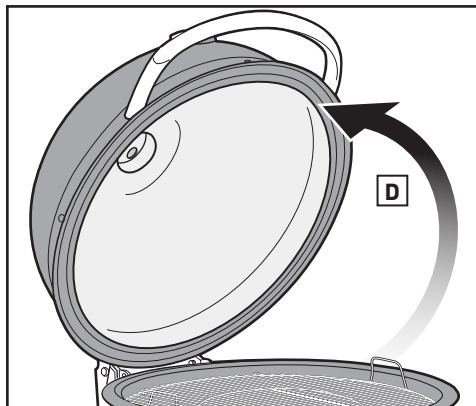
8. Push burner control knob in and turn it *slowly* counterclockwise to the on (●) position (F).
9. Check that the burner is lit by observing a flame.

⚠ **WARNING: If burner fails to ignite within five seconds, stop, turn the burner control knob off, and wait five minutes to allow the gas to clear before you try again or light with a match.**

⚠ **WARNING: Do not lean over the open grill while igniting.**

⚠ **CAUTION: Flame may be hard to see on a bright day.**

10. Turn the burner control knob to the the OFF (O) position after 12-14 minutes if cooking directly or indirectly. However, if smoking, turn the burner control knob to the the OFF (O) position after 7-10 minutes.



NOTE: The burner is only meant for igniting charcoal, not for cooking. Turn burner control knob off promptly after charcoal is lit to preserve the fuel in your disposable cylinder.



GRILLING METHODS - DIRECT HEAT

The WEBER SUMMIT KAMADO can be used for three grilling methods: Direct Grilling, Indirect Grilling, and Smoking. Before continuing, determine which grilling method will be used and follow the appropriate grilling instructions in this owner's guide.

NOTE: Grilling in a colder climate or higher altitude will extend your cooking time. Windy weather conditions will raise the grill's temperature.

GRILLING WITH DIRECT HEAT

Use the direct method for small, tender pieces of food that take less than 20 minutes to cook, such as: hamburgers, steaks, chops, kabobs, boneless chicken pieces, fish fillets, shellfish, and sliced vegetables.

With direct heat, the fire is right below the food (A). It sears the surfaces of the food, developing flavors, texture, and delicious caramelization while cooking the food all the way to the center.

A direct fire creates both radiant and conductive heat. Radiant heat from the charcoal quickly cooks the surface of the food closest to it. At the same time, the fire heats the cooking grate rods, which conducts heat directly to the surface of the food and creates those unmistakable and lovely grill marks.

Grill Setup For Direct Heat

1. Place center support ring (B) in the middle position of the bowl, then place the fuel grate (C) within the center support ring.
2. Pile charcoal on the fuel grate above the tip of the burner tube (D).
3. Ignite the charcoal. Refer to the "BURNER IGNITION - SNAP-JET GAS IGNITION SYSTEM" section in this owner's guide.

NOTE: Lid, dampers, and vents must remain open when igniting charcoal.

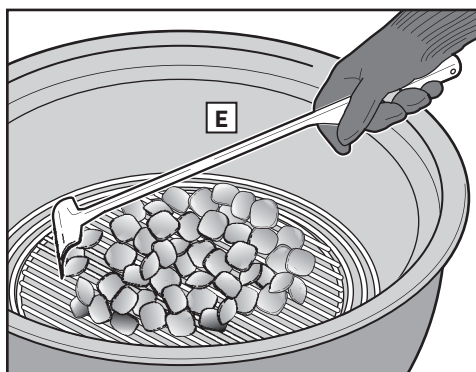
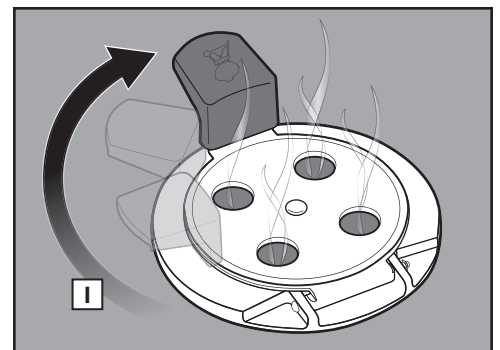
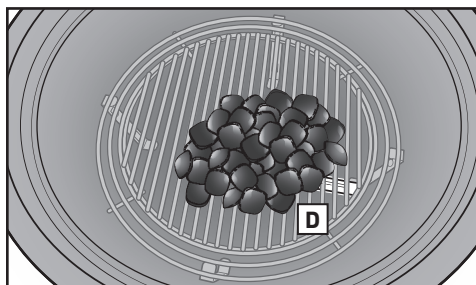
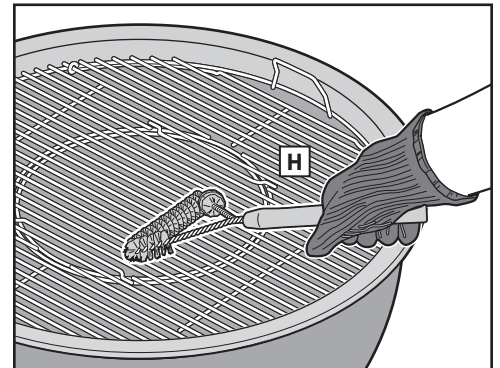
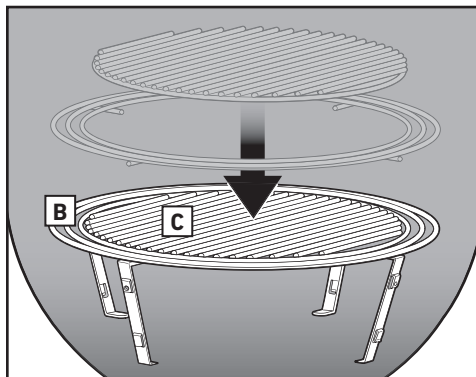
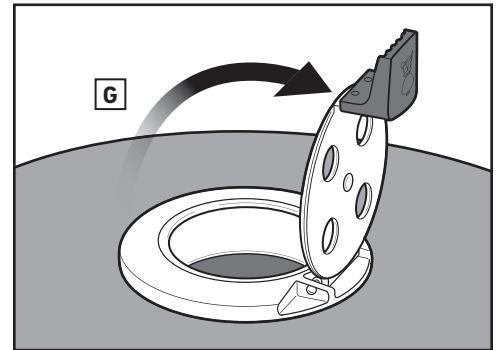
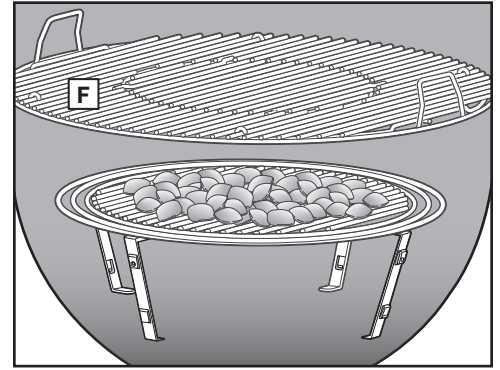
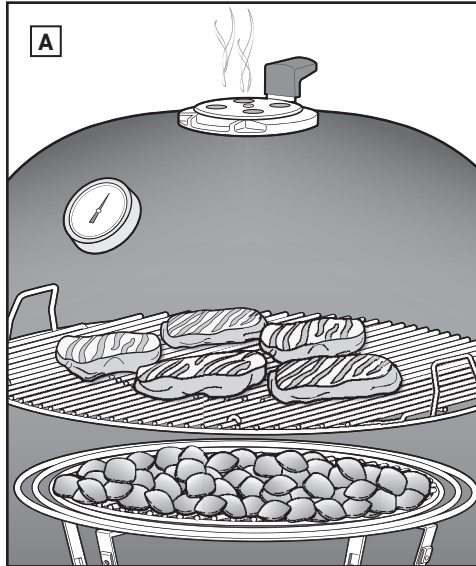
4. Once the charcoal is lit, put on barbecue mitts or gloves. Using long tongs or a charcoal rake, spread the charcoal evenly across the charcoal grate (E). Make sure the lit coals are in contact with the unlit coals.
5. Place the cooking grate in the top position of the bowl (F).
6. Close the grill lid and flip open the RAPIDFIRE lid damper (G).
7. Preheat the cooking grate for approximately 5-10 minutes or until desired grill temperature is reached.
8. Once the cooking grate is preheated, using a stainless steel bristle grill brush or scraper, clean the cooking grate (H).

NOTE: Use a stainless steel bristle grill brush. Replace brush if any loose bristles are found on cooking grate or brush.

9. Place the food on the cooking grate and close the grill lid. Rotating the RAPIDFIRE lid damper will increase or decrease the desired heat inside the grill (I). Consult recipe for recommended cooking times and temperature. Reference the lid thermometer for the desired internal grill temperature.

When Finished Cooking

Close the lid damper and bowl vents to extinguish the charcoal.





GRILLING WITH INDIRECT HEAT

Use the indirect method for larger cuts of meat that require 20 minutes or more of grilling time, or for foods so delicate that direct exposure to the heat would dry them out or scorch them, such as: roasts, bone-in poultry pieces, whole fish, delicate fish fillets, whole chickens or turkeys, and ribs. Indirect heat can also be used for finishing thicker foods or bone-in cuts that have been seared or browned first over direct heat.

With indirect heat, the heat is on both sides of the grill (A), or off to one side of the grill. The food sits on the portion of the cooking grate without charcoal directly below it.

The radiant and conductive heat are still factors, but they are not as intense while indirect cooking. However, if the lid of the grill is closed, as it should be, there is another kind of heat generated: convection heat. Heat rises, reflects off the lid and inside surfaces of the grill, and circulates to slowly cook the food evenly on all sides.

Convection heat doesn't sear the surface of the food the way radiant and conductive heat do. It cooks it more gently all the way to the center, like the heat in an oven.

Grill Setup For Indirect Heat

1. Place center support ring (B) in the middle position of the bowl, then place the fuel grate (C) within the center support ring.
2. Place charcoal in the CHAR-BASKETS on the fuel grate above the tip of the burner tube (D). Arrange CHAR-BASKETS so that they run parallel to the burner tube.
3. Light the charcoal. Refer to the "BURNER IGNITION - SNAP-JET GAS IGNITION SYSTEM" section in this owner's guide.

NOTE: Lid, dampers, and vents must remain open when igniting charcoal.

4. Once the charcoal is lit, put on barbecue mitts or gloves conforming to EN 407, Contact Heat rating level 2 or greater. With long tongs, move the CHAR-BASKETS so that they will be set on both sides of the food (E).

NOTE: A disposable drip pan should be placed between the CHAR-BASKETS to collect drippings and minimize cleaning time.

NOTE: Alternatively, this grill has ample cooking space to cook indirectly and directly simultaneously. By moving both CHAR-BASKETS to one side of the grill, you can cook directly over the baskets and use the remaining side of the cooking grate to cook indirectly.

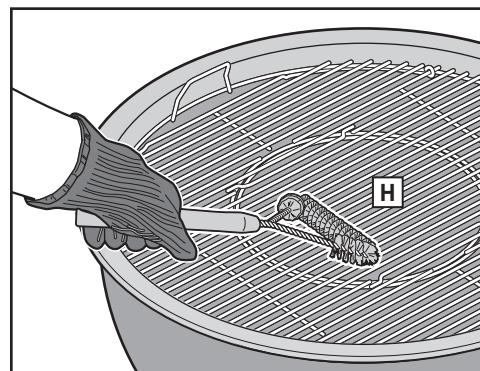
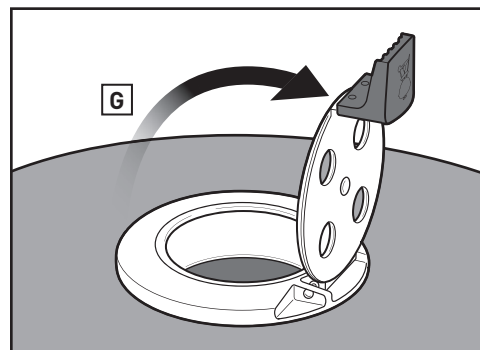
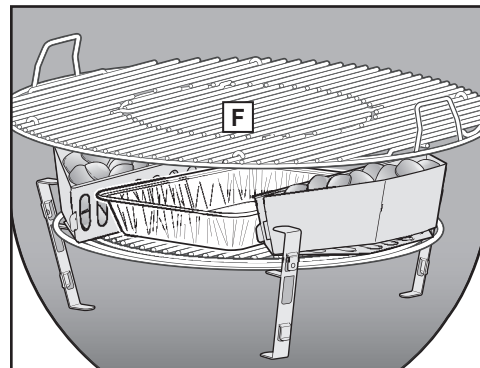
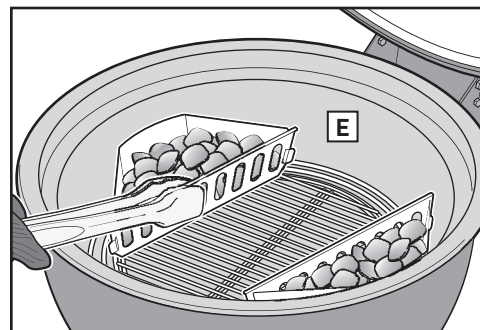
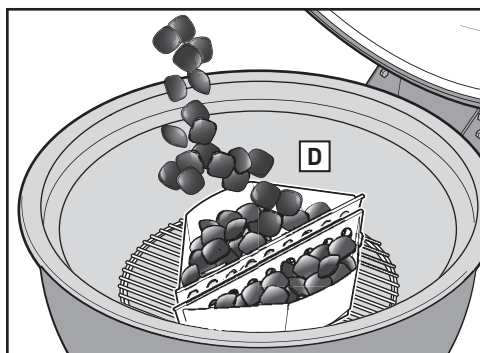
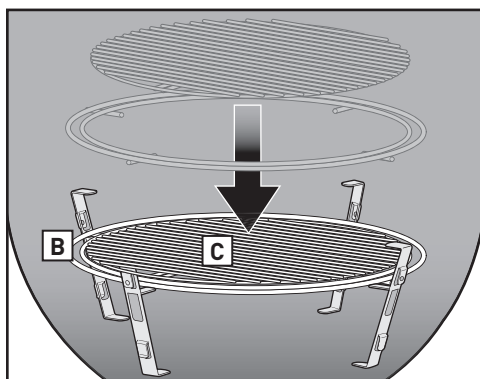
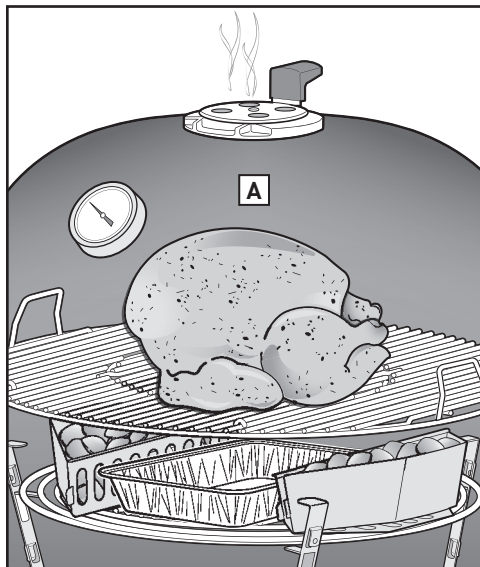
5. Place the cooking grate in the top position of the bowl (F).
6. Close the grill lid and flip open the RAPIDFIRE lid damper (G).
7. Preheat the cooking grate for approximately 5-10 minutes or until desired grill temperature is reached.
8. Once the cooking grate is preheated, using a stainless steel bristle grill brush or scraper, clean the cooking grate (H).

NOTE: When using a stainless steel bristle grill brush, replace brush if any loose bristles are found on cooking grate or brush.

9. Place the food on the cooking grate in between the CHAR-BASKETS and close the grill lid. Rotating the RAPIDFIRE lid damper will increase or decrease the desired heat inside the grill (I). Consult recipe for recommended cooking times and temperature. Reference the lid thermometer for the desired internal grill temperature.

When Finished Cooking

Close the lid damper and bowl vents to extinguish the charcoal.





GRILLING METHODS - SMOKING

SMOKING

Smoking is cooking food at a low temperature, over an extended period of time using chunks or chips of genuine hardwood (A). This technique is also referred to as the "low and slow method". Cooking low and slow keeps the juices and flavor in your food to produce an extremely tender piece of meat. Smoking works great for large cuts of meat such as: brisket, turkey, pork shoulder, ribs, and whole chicken.

NOTE: Grilling in a colder climate or higher altitude will extend your cooking time. Windy weather conditions will raise the grill's temperature.

Grill Setup For Smoking

1. Place charcoal grate (B) in the bottom position of the bowl then place the center support ring in the middle position of the bowl (C).

NOTE: 35-45 briquettes will provide 8-10 hours of cooking time. For foods that require longer to cook, more charcoal will be needed. Refer to the "Smoking & Cooking Times" chart for more information.

2. Pile charcoal on the fuel grate above the tip of the burner tube (D).
3. Light the charcoal. Refer to the "BURNER IGNITION - SNAP-JET GAS IGNITION SYSTEM" section of this owner's guide.

NOTE: Lid, dampers, and vents must remain open when igniting charcoal.

4. Once the charcoal is lit, put on barbecue mitts or gloves. Using long tongs, add WEBER wood chunks or chips to the perimeter of the lit charcoal (E).

5. Place the diffuser plate within the center support ring (F).

NOTE: A disposable drip pan should be placed on the diffuser plate to collect drippings and minimize cleaning time. Add two drip pans when smoking larger pieces of meat.

6. Place the cooking grate in the top position of the bowl (G).
7. Close the grill lid.

8. Once the grill reaches the smoke zone on the thermometer (H), slide the bowl vent arm to the smoking position (I) and rotate the RAPIDFIRE lid damper (J) accordingly to maintain recommended smoking temperature.

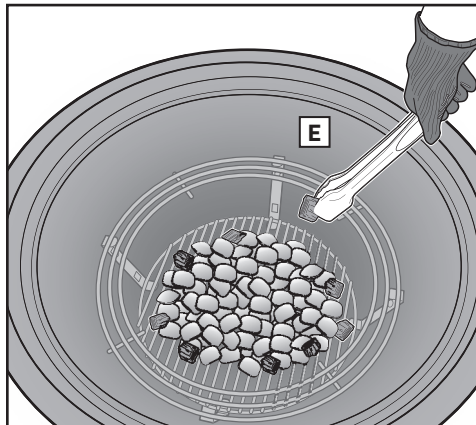
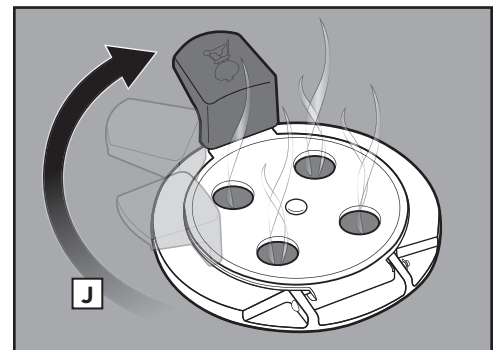
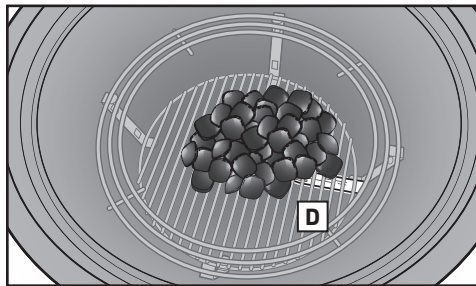
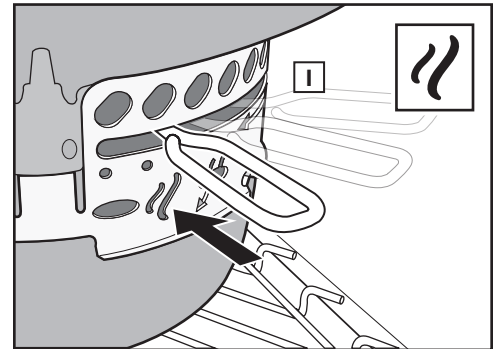
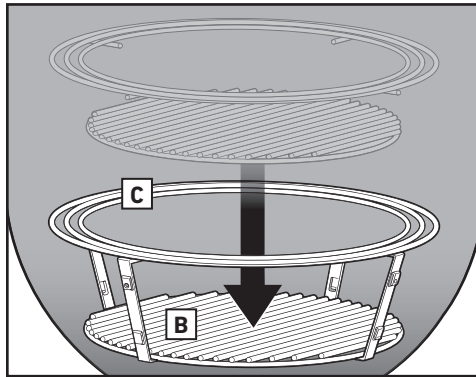
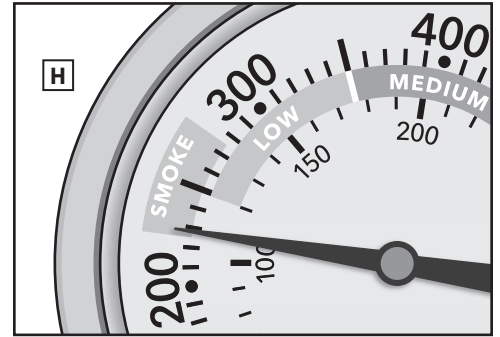
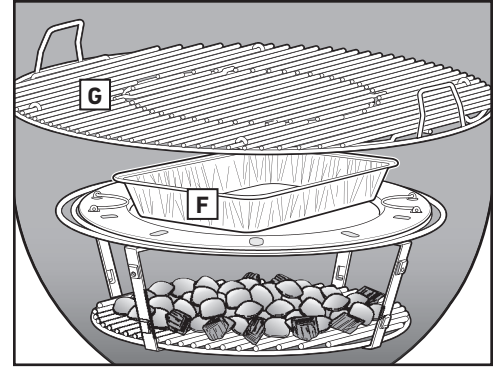
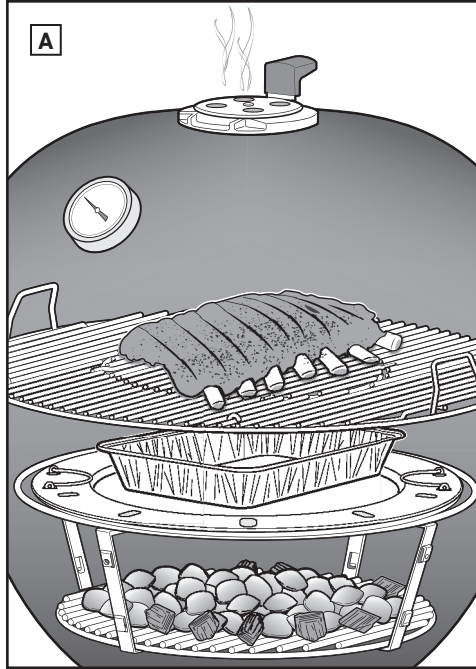
9. Open the grill lid and clean the cooking grate using a stainless steel bristle grill brush or scraper.

NOTE: When using a stainless steel bristle grill brush, replace brush if any loose bristles are found on cooking grate or brush.

10. Place the food on the center of the cooking grate. Consult recipe for recommended cooking times.

When Finished Cooking

Close the lid damper and bowl vents to extinguish the charcoal.





Charcoal Quantity for Smoking & Cooking Times

	Weight	Cooking Time	Charcoal Briquettes	Wood Chunks
FISH	1 lb to 3 lb (0.45 - 1.36 kg)	1 to 2½ hours	60 to 80 briquettes (1¾ cups)	2 to 4
	3 lb to 6 lb (1.36 - 2.7 kg)	2½ to 4 hours	60 to 80 briquettes (1¾ cups)	2 to 4
POULTRY	2 lb to 3 lb (0.9 - 1.36 kg)	2 to 3½ hours	60 to 80 briquettes (1¾ cups)	1 to 3
	4 lb to 8 lb (1.81 - 3.62 kg)	3½ to 4 hours	80 to 100 briquettes (2¾ cups)	2 to 4
	8 lb to 12 lb (3.62 - 5.44 kg)	4 to 5 hours	80 to 100 briquettes (2¾ cups)	3 to 4
	12 lb to 18 lb (5.44 - 8.1 kg)	8 to 10 hours	100 to 120 briquettes (2¾ cups)	3 to 5
PORK	4 lb to 8 lb (1.81 - 3.62 kg)	5 to 8 hours	80 to 100 briquettes (2¾ cups)	3 to 4
	8 lb to 12 lb (3.62 - 5.44 kg)	8 to 12 hours	100 to 120 briquettes (2¾ cups)	3 to 5
BEEF	4 lb to 8 lb (1.81 - 3.62 kg)	7 to 12 hours	80 to 120 briquettes (2¾ cups)	3 to 5
	8 lb to 12 lb (3.62 - 5.44 kg)	12 to 18 hours	120 to 140 briquettes (3¾ cups)	3 to 5

Cooking times for beef use the USDA's definition of medium doneness. Cooking times listed are for foods that have been completely thawed. The weights, charcoal quantities, and cooking times are meant to be guidelines rather than hard and fast rules. Factors such as altitude, wind, and outside temperature can affect cooking times.

⚠ WARNING: Never use charcoal impregnated with charcoal lighter fluid.

Wood Flavors for Smoking

Wood Flavor	Characteristics	Pairs With
Apple	SUBTLE Slightly sweet with a dense, fruity smoke flavor	Fish Poultry Pork (particularly ham) Vegetables
Cherry	SUBTLE Slightly sweet with a fruity smoke flavor	Fish Poultry Pork Vegetables
Hickory	RICH Pungent and smoky with a bacon-like flavor	Poultry Pork Beef
Beech	SUBTLE Delicate with a mildly smoky flavor	Fish Poultry Pork Lamb Vegetables
Pecan	RICH Pungent with a sweet flavor. Ideal for smoking at a very low heat.	Fish Poultry Pork Lamb Beef
Mesquite	BOLD Big, bold smoke flavor with a borderline bitter finish.	Pork Lamb Beef

TIPS & TRICKS FOR GRILLING SUCCESS

Choose a Proper Location to Grill

- Only use this grill outdoors in a well-ventilated area. Do not use in a garage, building, breezeway, or any other enclosed area.
- Keep the grill on a secure, level surface at all times.
- Do not use grill within two feet of any combustible material. Combustible materials include, but are not limited to, wood or treated wood decks, patios, and porches.

Preheat the Grill

Preheating your grill is a key factor when grilling both directly and indirectly; though should not be done before smoking. With all of the charcoal glowing red, the temperature under the lid should reach 500°F after 7-10 minutes. The heat loosens pieces of food stuck to the grate, making it easy to brush off with a stainless steel bristle grill brush. Preheating also gets the grate hot enough to sear properly and helps prevent food from sticking to the grate.

Wear Gloves

Always wear barbecue mitts when using your charcoal grill. Vents, dampers, handles, and the bowl will all get hot during the grilling process, so be sure to keep your hands and forearms protected.

No Ignition Fuel, No Problem

If the fuel tank is empty, or running on low, you may also light your grill manually, as you would any other charcoal grill. WEBER recommends using a chimney starter (sold separately) and lighter cubes (sold separately) to ignite charcoal manually. Refrain from using lighter fluid as it is messy and can transmit a chemical taste to your food.

Oil the Food, Not the Grate

Lightly oiling your food adds flavor and moisture, while also preventing the food from sticking to the grate. We do not recommend oiling the grate, as this could cause unnecessary flare-ups.

Put a Lid On It

Keep the lid closed as much as possible for these reasons:

1. Keeps the grate hot enough to sear the food when cooking directly.
2. Traps the smokiness that develops when fat and juices vaporize in the grill.
3. Prevents flare-ups by limiting oxygen.

Diffuser Plate Do's and Don'ts

When smoking, the diffuser plate helps to maintain consistent low temperatures and redirects the heat and smoke around the food. However, the diffuser plate can also be used when cooking indirectly to maximize cooking space. Never put food or fuel on the diffuser plate.

Tame the Flame

Flare-ups happen, which is typically good because the flames sear the surface of the food. However, too many flare-ups can cause the food to burn. Keeping the lid closed as much as possible limits the amount of oxygen inside the grill, which will help extinguish any flare-ups. If the flames become out of control, temporarily move the food over indirect heat until they die down.

Watch the Time and Temperature

Grilling in a colder climate or higher altitude will extend your cooking time. Hard blowing wind will raise the grill's temperature.

Keep It Clean

Follow the basic routine maintenance instructions to keep your grill looking and grilling better for years to come. Be sure to remove accumulated ashes and old charcoal from the bottom of the kettle and the ash catcher before every use.

Smoking with Wood

Experimenting with different woods while smoking is encouraged to find the perfect balance of sweet and savory. While smoking over long periods of time, be sure to always use wood chunks instead of wood chips. Chunks allow for a longer smoke that penetrates slowly over a long cooking time. Wood chips work best for a shorter cooking time because they do not last as long during a long smoke.



MAINTENANCE

CLEANING THE INSIDE OF THE GRILL

Cleaning the inside of your grill before each use is essential to keep your grill operating at peak performance for years to come.

⚠ WARNING: Turn grill off and wait for it to cool before giving it a thorough cleaning.

Cleaning the Lid

From time to time you may notice "paint-like" flakes on the inside of the lid. During use, grease and smoke vapors slowly change into carbon and deposit on the inside of your lid. This deposit will eventually peel, and looks very similar to paint. These deposits are nontoxic, but the flakes could fall onto your food if you do not clean the lid regularly.

You will need: A non-abrasive, nylon mesh scrubbing pad and a paper towel.

1. Scrub the carbonized grease on the inside of the lid with a scrubbing pad (A). To minimize future grease buildup, wipe the inside of the lid with a paper towel after each use; do so when the grill is warm (not hot) to the touch.

Cleaning the Grates & Diffuser Plate

If you have been cleaning your cooking grates routinely after preheating, the debris on them should be minimal. You should also make an effort to keep the debris and buildup on your diffuser plate to a minimum between meals. Utilization of a disposable drip pan will minimize the amount of cleaning.

You will need: A stainless steel bristle grill brush.

1. With cooking grates installed, brush the debris off your cooking grate with a stainless steel bristle grill brush (B).

⚠ CAUTION: Grill brushes should be checked for loose bristles and excessive wear on a regular basis. Replace brush if any loose bristles are found on cooking grates or brush. WEBER recommends purchasing a new stainless steel bristle grill brush at the beginning of every spring.

2. Remove cooking grates.
3. With diffuser plate installed, brush the debris off the plate with a stainless steel bristle grill brush.
4. Remove the diffuser plate.
5. With fuel grate installed, brush the debris off the fuel grate with a stainless steel bristle grill brush.

Quick Cleaning the Burner Tube

The burner tube should be periodically checked for blockage and quickly cleaned. Directions for a more thorough cleaning can be found in the ANNUAL MAINTENANCE section.

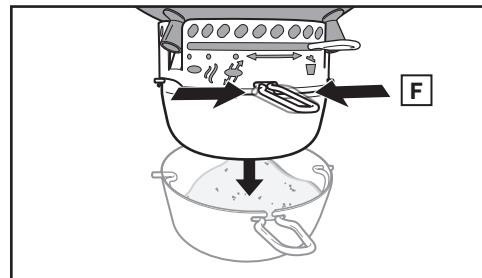
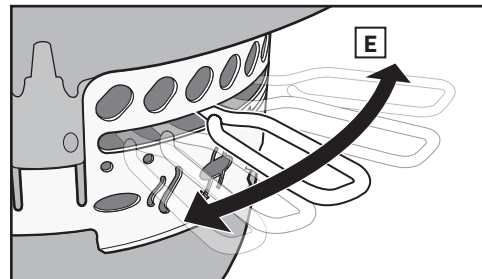
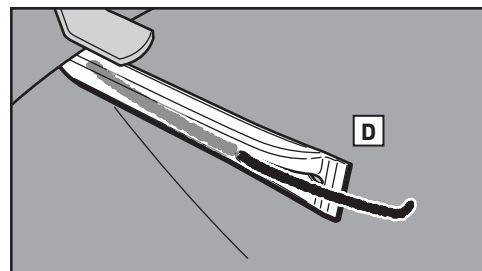
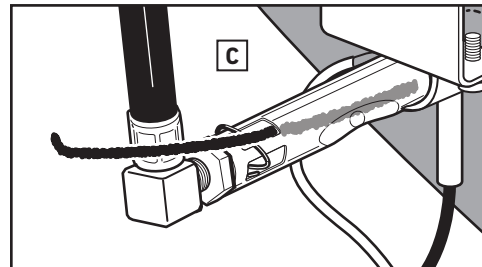
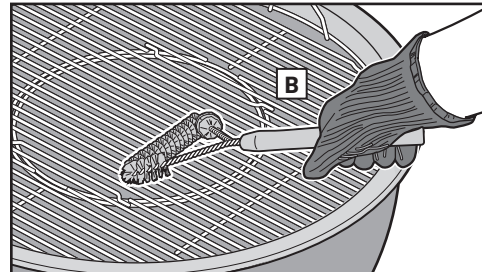
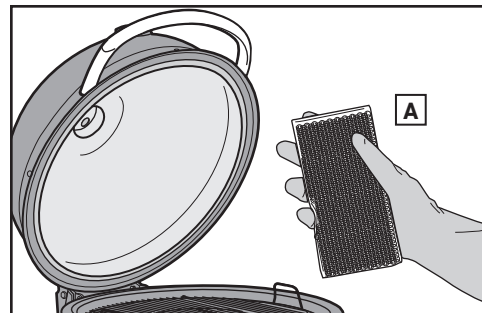
You will need: A chenille pipe cleaner and a clean stainless steel bristle grill brush. Do not use a brush that has already been used to clean the cooking grates.

1. Insert the pipe cleaner through the end of the burner tube (C). Be careful not to damage the igniter electrode.
2. Insert the pipe cleaner through the burner slots (D).
3. Brush the outside of the burner tube with a stainless steel bristle brush.

Cleaning the Bowl

For proper air flow and better grilling, remove accumulated ashes and old charcoal from the bottom of the kettle and the ash catcher before every use.

1. Open lid and remove the cooking grates, fuel grate, and diffuser plate.
2. Clear ashes or chunks of old charcoal from the bottom of the bowl. Charcoal requires oxygen to burn, so be sure that nothing clogs the vents. Move the handle of the ONE-TOUCH cleaning system back and forth to move ash from the bottom of the grill into the ash catcher (E).
3. Squeeze the ash catcher handle to release it from the grill (F).

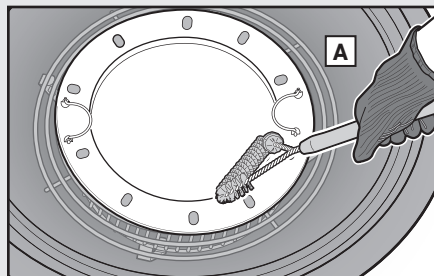


Alternative Method for Cleaning the Diffuser Plate

To remove heavy build-up on the diffuser plate it can be cleaned while it is warm.

You will need: A stainless steel bristle grill brush.

1. During preheating of grill, when temperature is 350° or below, brush the debris off the diffuser plate with a stainless steel bristle grill brush (A).





CLEANING THE OUTSIDE OF THE GRILL

The outside of your grill may include stainless steel, porcelain-enameled, and plastic surfaces. WEBER recommends the following methods based on the surface type. Make sure that all of the charcoal is fully extinguished and the grill is cool before doing so.

Stainless Steel Surfaces

Clean stainless steel using a non-toxic, non-abrasive stainless steel cleaner or polish designed for use on outdoor products and grills. Do not risk scratching your stainless steel with abrasive pastes that do not clean or polish but change the color of the metal by removing the top chromium oxide film coating. Do not use paper towels.

You will need: A microfiber cloth, stainless steel cleaner.

1. Spray cleaner onto the stainless steel areas of the grill. Using a microfiber cloth, clean in the direction of the grain of the stainless steel.

Painted, Porcelain-Enameled Surfaces, and Plastic Components

Clean painted, porcelain-enameled, and plastic surfaces on the outside of your grill with warm soapy water.

You will need: Warm soapy water, paper towels or cloth.

1. Wipe down the surfaces with warm soapy water. Rinse and dry thoroughly.

⚠ IMPORTANT: Do not use any of the following to clean your grill: abrasive stainless steel polishes or paints, cleaners that contain acid, mineral spirits or xylene, oven cleaner, abrasive cleansers (kitchen cleansers), and abrasive cleaning pads.

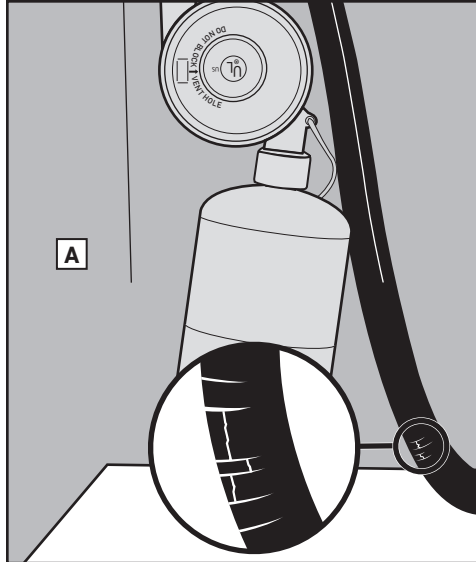
CLEANING THE OUTSIDE OF GRILLS THAT ARE IN UNIQUE ENVIRONMENTS

If your grill is subject to a particularly harsh environment, you will want to clean the outside more often. Acid rain, pool chemicals, and salt water can cause surface rusting to appear. Wipe down the outside of your grill with warm soapy water. Follow up with a rinse and thorough drying. Additionally, you may want to apply a stainless steel cleaner weekly to prevent surface rust.

INSPECTING THE HOSE

1. Visually inspect the hose for any signs of cracking (A).

⚠ WARNING: Check hose before each use of grill for nicks, cracking, abrasions, or cuts. If the hose is found to be damaged in any way, do not use the grill. Replace using only WEBER authorized replacement hose. Contact the Customer Service Representative in your area using the contact information on our website. Log onto www.weber.com.





MAINTENANCE

To keep your grill performing as safely and efficiently as it did on day one, we strongly recommend that you inspect and clean the burner tube at least once a year. Over time, the burner tube (A) may become dirty and blocked. Spiders and insects can nest in the venturi (B) section of the burner tube causing gas to flow back out of the air shutter (C). Blocked and dirty burner slots (D) can restrict full gas flow. This obstruction could result in a fire in and around the burner tube under or near the ignition box, causing serious damage to your grill.

Common symptoms of blocked or dirty tubes may include:

- Gas smell in conjunction with the burner flames appearing very yellow and lazy.
- Burner making popping noises.

⚠ DANGER

Failure to correct any problems described on this page may result in a fire, which can cause serious bodily injury or death, and cause damage to property.

BURNER FLAME PATTERN

The burner tube in your grill was manufactured for the correct air and gas mixture. When the burner tube is performing correctly, you will see a specific flame pattern. The tips should flicker yellow (E), with dark blue in the middle (F) and light blue at the burner tube (G). If the flames do not match the above flame pattern description, or if "popping" noises occur, it could be an indication that the burner needs cleaning.

THOROUGH CLEANING OF THE BURNER TUBE

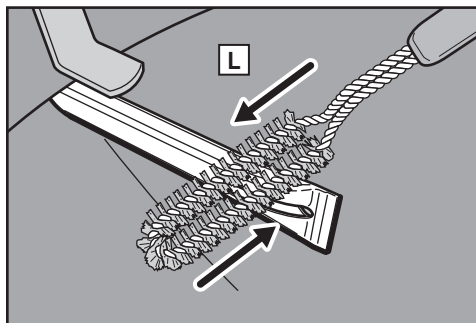
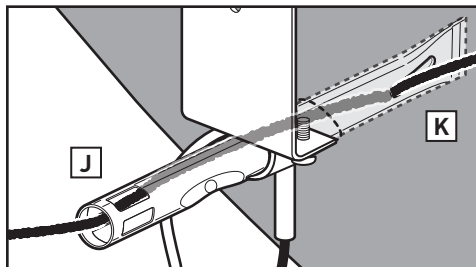
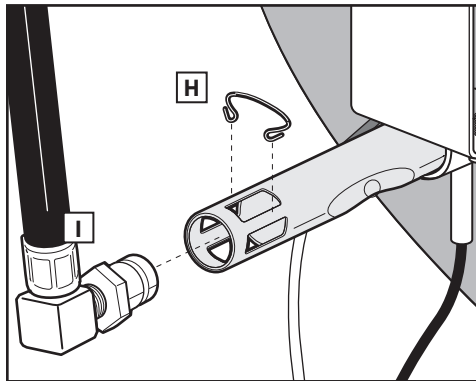
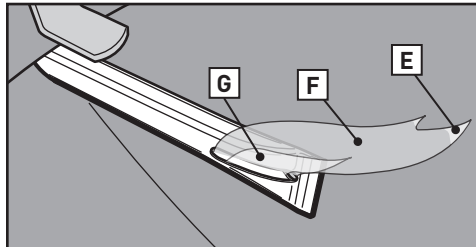
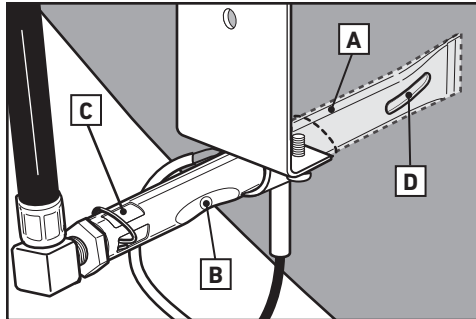
You will need: A torch, chenille pipe cleaner, and a clean stainless steel bristle brush. Do not use a brush that has already been used to clean the cooking grates.

1. Confirm that grill is off and cool.
2. Remove retaining clip (H) and hose fitting (I) from the burner tube.
3. Look inside the burner tube with a flashlight and insert the pipe cleaner through the end of the burner tube (J). Be careful not to damage the igniter electrode.
4. Insert the pipe cleaner through the burner slots (K).
5. Brush the outside of the burner tube with a stainless steel bristle brush (L).
6. Reinstall hose fitting and retaining clip onto burner tube.

⚠ **WARNING:** Prior to use, pull the hose fitting to make sure that the retaining clip is in place and the hose fitting is securely attached inside the burner tube.

CALL CUSTOMER SERVICE

If you are still experiencing issues after cleaning the burner tube, contact the Customer Service Representative in your area using the contact information at www.weber.com.



SNAP-JET GAS IGNITION SYSTEM OPERATION

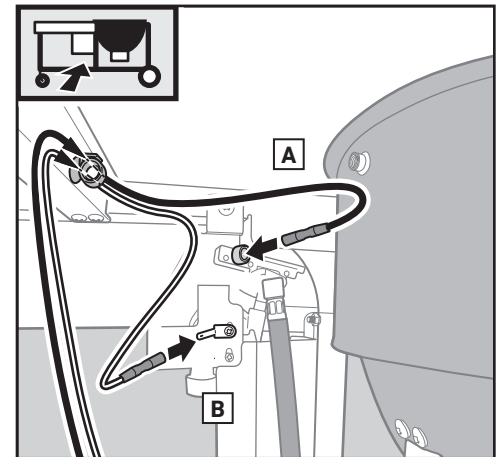
The burner control knob has a built-in igniter. The igniter supplies a spark to the igniter electrode assembly. Whether you are performing routine maintenance or a troubleshooting check on the SNAP-JET gas ignition system, read the following to keep the system working properly.

⚠ **WARNING:** The burner control knob should be in the OFF position.

If the grill fails to ignite when you push the burner control knob in and turn it slowly, you will need to pinpoint where the problem is occurring: with the gas flow or with the ignition system. Begin by attempting to match light your burner. Refer to "BURNER IGNITION – Lighting with a Match". If match lighting is successful, the problem lies in the SNAP-JET gas ignition system.

MAINTAINING THE IGNITION COMPONENTS

1. Confirm that grill is off and cool.
2. Check that the black wire is connected to the red terminal on the valve (A).
3. Check that the white wire is connected to the ground terminal at screw (B).

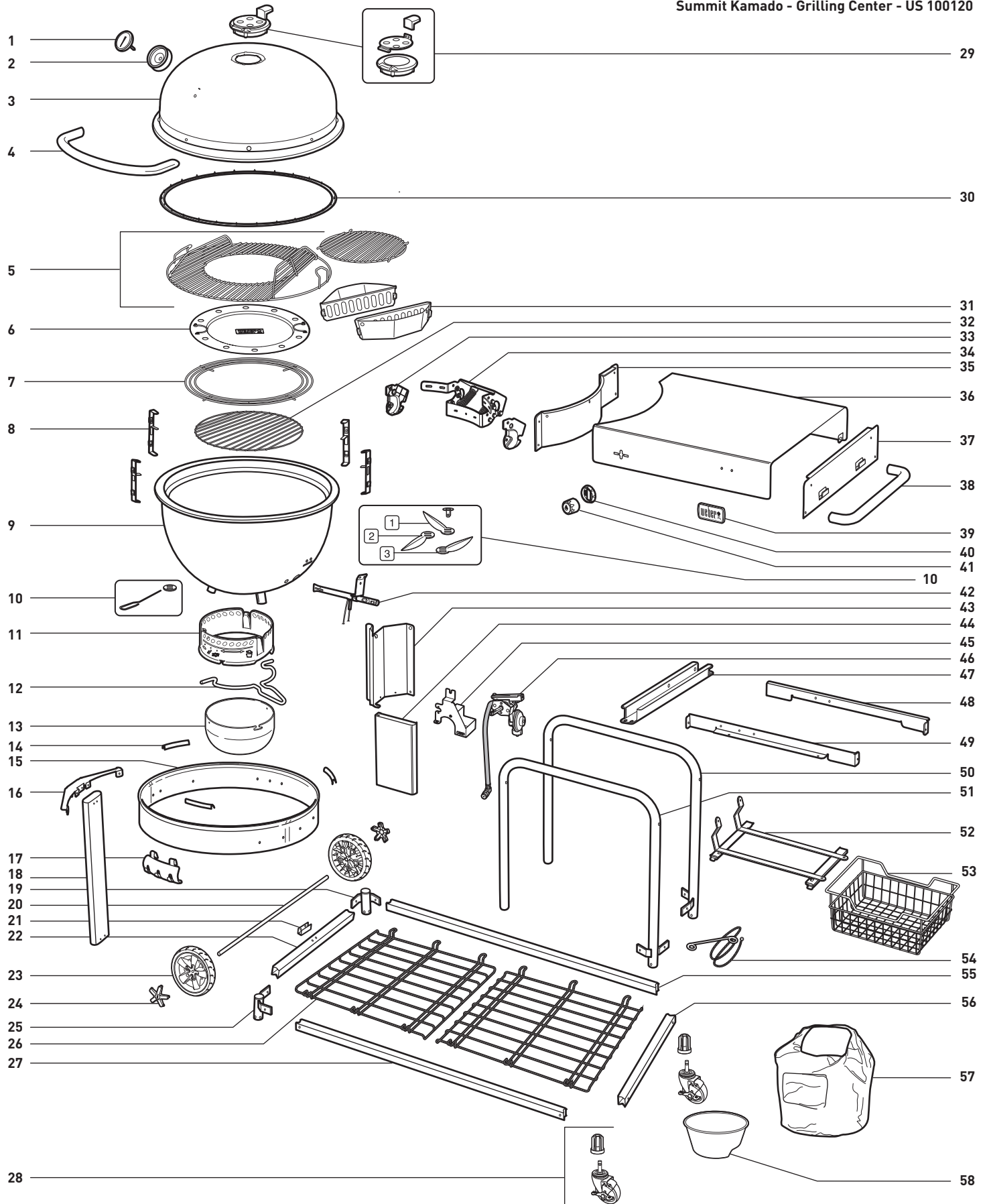




REPLACEMENT PARTS

US

Summit Kamado - Grilling Center - US 100120



GENERAL TROUBLESHOOTING

Problems	Solutions
Burner does not ignite when you push in and turn the burner control knob.	<p>Be sure that there is gas flow to the burner by attempting to match light your burner. Refer to "BURNER IGNITION - Lighting with a Match". If match lighting is successful, the problem lies in the ignition system. Refer to "SNAP-JET GAS IGNITION SYSTEM OPERATION" in the "MAINTENANCE" section.</p> <p>Be sure that wires are correctly inserted into terminals. Check that the black wire is connected to the red terminal on the valve. Check that the white wire is connected to the ground terminal at screw. Refer to "MAINTAINING THE IGNITION COMPONENTS" in the "MAINTENANCE" section.</p>
Burner does not ignite, or flame is low.	LP fuel could be low or empty. Replace LP cartridge. Refer to "REMOVING THE CARTRIDGE".
Burner flame pattern is erratic. Burner burns with a yellow or orange flame, in conjunction with the smell of gas.	Inspect burner tube for possible obstructions. Refer to the "MAINTENANCE" section.
Inside of lid appears to be "peeling." (Resembles paint peeling.)	The inside of the lid is aluminum. It is not painted. It cannot "peel". What you are seeing is baked-on grease that has turned to carbon and is flaking off. THIS IS NOT A DEFECT. Clean thoroughly. Refer to "CLEANING THE INSIDE OF THE GRILL" in the "MAINTENANCE" section.

If problems cannot be corrected by using these methods, please contact the Customer Service Representative in your area using the contact information on our website. Log onto www.weber.com.



Weber-Stephen Products LLC
www.weber.com



Summit® Kamado S6

GUÍA DEL PROPIETARIO

REGISTRE SU ASADOR

Gracias por adquirir un asador WEBER. Dedique unos minutos a proteger su inversión registrando su asador en línea en www.weber.com. Consulte el número de serie en la portada de esta guía del propietario.



⚠ PELIGRO

Si percibe olor a gas:

- Interrumpa el suministro de gas al aparato.
- Extinga las llamas abiertas.
- Abra la tapa.
- Si el olor no se disipa, manténgase alejado del aparato y avise inmediatamente a su proveedor de gas o al servicio de bomberos.

Las fugas de gas pueden causar incendios o explosiones resultantes en lesiones personales graves, muertes o daños materiales.

⚠ PELIGRO

- Nunca use este aparato sin prestarle atención.
- No use esta barbacoa a menos de 610 mm (2 ft) de materiales combustibles. Se consideran materiales combustibles, entre otros, las plataformas, patios y porches de madera o madera tratada.
- No use este aparato a menos de 7,5 m (25 ft) de líquidos inflamables.
- Si se produce un incendio, manténgase alejado del aparato y avise inmediatamente al servicio de bomberos. No intente extinguir un incendio de aceite o grasa con agua.

Ignorar estas instrucciones puede dar lugar a incendios, explosiones o quemaduras resultantes en daños materiales, lesiones personales y muertes.

⚠ ADVERTENCIA: Siga con atención todos los procedimientos de prueba de fugas descritos en esta guía del propietario antes de usar la barbacoa. Hágalo incluso si la barbacoa fue montada e instalada por su distribuidor.

⚠ ADVERTENCIA: No encienda este aparato sin leer antes la sección ENCENDIDO DEL QUEMADOR de esta guía del propietario.

ESTE APARATO DE GAS ESTÁ DISEÑADO EXCLUSIVAMENTE PARA EL USO AL AIRE LIBRE.

Esta guía del propietario contiene información importante y necesaria para el montaje correcto y el uso seguro del aparato.

Lea y respete todas las advertencias e instrucciones antes de montar y usar el aparato.





El incumplimiento de las instrucciones relativas a los PELIGROS, ADVERTENCIAS y PRECAUCIONES contenidas en la presente guía del propietario podría causar lesiones graves o muertes, u originar un incendio o explosión que resultara en daños materiales.

PELIGRO:

Indica una situación peligrosa que, de no evitarse, provocará muertes o lesiones graves.

- ⚠ El uso de este asador solo debe tener lugar al aire libre, en áreas bien ventiladas. Se prohíbe el uso en garajes, edificios, pasajes cubiertos, tiendas de campaña y otras áreas cerradas, así como debajo de techos combustibles.
- ⚠ Este asador no ha sido diseñado para usarse como calentador y no debe emplearse jamás como tal.
- ⚠ Mantenga el área destinada a la preparación de alimentos libre de vapores y líquidos inflamables, como gasolina, alcohol, etc., así como de materiales combustibles.
- ⚠ Abra siempre la tapa antes de encender el quemador de gas manualmente o mediante el sistema de encendido. La tapa debe permanecer abierta hasta que el carbón esté totalmente encendido.
- ⚠ Si la grasa liberada por los alimentos provocase un incendio, apague el quemador y mantenga la tapa cerrada hasta que las llamas se extingan.
- ⚠ Este asador no debe ser usado jamás por niños. Algunas piezas del asador al alcance del usuario pueden estar muy calientes. Los niños y mascotas deben mantenerse alejados durante el uso del asador.
- ⚠ No intente desconectar el cilindro de gas con el asador en funcionamiento.
- ⚠ En caso de que el quemador se apague con el asador en funcionamiento, cierre la válvula de gas. Abra la tapa y espere 5 minutos antes de intentar volver a encender el asador.
- ⚠ No use el asador si presenta una fuga de gas.
- ⚠ No use una llama para revisar la existencia de fugas de gas.
- ⚠ No coloque la funda del asador ni ningún otro objeto inflamable dentro o encima del espacio de almacenamiento localizado debajo del mismo durante el uso del asador o mientras este se encuentre caliente.
- ⚠ Si observa, huele o escucha un escape de gas procedente del cilindro de propano líquido:
 1. Aléjese del cilindro de propano líquido.
 2. No intente corregir el problema personalmente.
 3. Avise al departamento de bomberos.
- ⚠ El gas propano líquido no es un gas natural. La conversión o el intento de uso de gas natural en un equipo de gas propano líquido, o gas propano líquido en un equipo de gas natural, es una operación peligrosa y constituye un motivo de invalidación de la garantía.
- ⚠ No amplíe los orificios del quemador al limpiarlos.

- ⚠ No guarde cilindros de propano líquido desconectados (o de repuesto) debajo de este asador ni cerca de él.

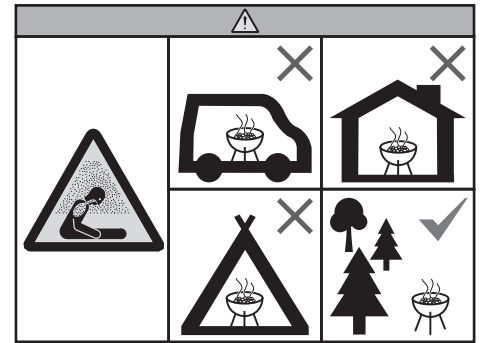
ADVERTENCIA:

Indica una situación peligrosa que, de no evitarse, puede provocar muertes o lesiones graves.

- ⚠ El asador no debe dejarse desatendido ni desplazarse estando en funcionamiento.
- ⚠ Luego de un período de almacenamiento y/o desuso, debe revisarse el asador para determinar si sufre fugas de gas u obstrucciones en los quemadores antes del uso. Consulte en esta guía del propietario las instrucciones para proceder de la manera correcta.
- ⚠ No use el asador si no están instaladas todas las partes. El asador debe ser armado adecuadamente de acuerdo con las instrucciones de armado.
- ⚠ No instale este modelo de asador en una estructura empotrada o móvil.
- ⚠ No se incline sobre el asador durante el encendido o la preparación de alimentos si la tapa está abierta.
- ⚠ Use manoplas o guantes para asar resistentes al calor en todo momento durante el uso del asador.
- ⚠ Use herramientas apropiadas, equipadas con mangos largos y resistentes al calor.
- ⚠ No apoye las manos ni los dedos en el borde delantero del cuerpo mientras el asador esté caliente o la tapa esté abierta.
- ⚠ Use el regulador de presión proporcionado con el asador.
- ⚠ Mantenga los cables de alimentación eléctrica y la manguera de suministro de combustible alejados de las superficies calientes.
- ⚠ El consumo de alcohol, medicamentos (bajo supervisión médica o no) y drogas ilegales puede afectar a la capacidad del usuario para armar, trasladar, guardar y usar el asador correctamente y con seguridad.
- ⚠ Coloque siempre el carbón encima de la parrilla de combustible. No lo coloque directamente en el fondo del cuerpo ni en el plato difusor.
- ⚠ El asador deberá limpiarse a fondo de forma periódica.
- ⚠ No vierta carbón caliente en lugares de paso o en los que hacerlo represente un riesgo de incendio. No deseché las cenizas ni el carbón antes de que se hayan apagado por completo.
- ⚠ Al cocinar, el asador debe permanecer sobre una superficie nivelada y estable, en una zona libre de materiales combustibles.
- ⚠ Forrar el cuerpo del asador con papel aluminio puede dificultar la circulación de aire. En vez de eso, use una bandeja para escurrimientos para recoger los jugos desprendidos por la carne al cocinarla usando el método indirecto.
- ⚠ Revise periódicamente si sus cepillos para parrillas presentan cerdas sueltas o un desgaste excesivo. Sustituya los cepillos si encuentra cerdas desprendidas en las parrillas de cocción o en los mismos cepillos. WEBER recomienda adquirir nuevos cepillos para

parrillas con cerdas de acero inoxidable al principio de cada primavera.

- ⚠ No use prendas con mangas sueltas o vaporosas durante el encendido y el uso del asador.
- ⚠ Nunca toque la parrilla de cocción, la rejilla de combustible, las cenizas, el carbón ni el asador para verificar si están calientes.
- ⚠ Este asador WEBER no ha sido diseñado para su instalación en el interior o encima de vehículos recreativos y/o embarcaciones.
- ⚠ No use líquidos de encendido, gasolina, alcohol ni ningún otro fluido altamente volátil para encender o volver a encender el carbón.
- ⚠ ¡ADVERTENCIA! No use este asador en espacios cerrados y/o habitables (como casas, tiendas de campaña, remolques de auto, casas móviles o embarcaciones). Peligro de muerte por inhalación de monóxido de carbono.



PRECAUCIÓN:

Indica una situación peligrosa que, de no evitarse, puede provocar lesiones leves o moderadas.

- ⚠ No retire las cenizas hasta que se haya apagado y extinguido completamente todo el carbón y el asador esté frío.
- ⚠ No guarde el asador hasta que las cenizas y el carbón se hayan apagado por completo.
- ⚠ Este asador de gas no ha sido diseñado para uso comercial.
- ⚠ No use agua para controlar las llamaradas ni para apagar el carbón.
- ⚠ No use el asador si sopla viento fuerte.
- ⚠ Apague el carbón cuando haya terminado de cocinar. Para apagarlo, cierre los orificios de ventilación del cuerpo, la tapa y el regulador RAPIDFIRE.

PROPUESTA 65 DEL ESTADO DE CALIFORNIA

- ⚠ ADVERTENCIA: Las sustancias derivadas de la combustión que genera este producto durante su uso contienen químicos que el estado de California considera cancerígenos y causantes de defectos congénitos u otros daños reproductivos.
- ⚠ ADVERTENCIA DE LA PROPUESTA 65: La manipulación de las piezas de bronce que contiene este producto expone al usuario al contacto con plomo, un elemento químico que, según el estado de California, provoca cáncer, defectos de nacimiento y otras lesiones reproductivas. *Lávese las manos después de manipular este producto.*



GARANTÍA

Gracias por adquirir un producto WEBER. Weber-Stephen Products LLC, 1415 S. Roselle Road, Palatine, Illinois 60067, EE. UU. (en adelante, "WEBER"), se enorgullece de fabricar productos seguros, duraderos y confiables.

WEBER ofrece esta Garantía Voluntaria sin costo adicional. Aquí encontrará la información necesaria si su producto WEBER requiere reparación, en el caso improbable de que sufra una falla o un defecto.

Según la legislación vigente, el cliente tiene diversos derechos en caso de que el producto resulte defectuoso. Tales derechos incluyen desempeño complementario o sustitución, rebaja del precio de compra y compensación. En la Unión Europea, por ejemplo, esto constituye una garantía legal de dos años a partir de la fecha de transmisión de la propiedad del producto. Las cláusulas de esta Garantía no afectan a tales derechos legales ni a ningún otro. De hecho, esta Garantía proporciona al Propietario derechos que van más allá de los que le otorga la garantía legal.

GARANTÍA VOLUNTARIA DE WEBER

WEBER garantiza al comprador del producto WEBER (o, en caso de que sea un regalo o promoción, la persona para quien haya sido adquirido como regalo o artículo promocional) que este se encontrará libre de defectos de materiales y mano de obra durante los períodos de tiempo especificados a continuación, siempre que su armado y uso tengan lugar de acuerdo con el manual del propietario que lo acompaña. (Nota: En caso de pérdida o extravío del manual del propietario del producto WEBER, se puede descargar una copia en www.weber.com o en el sitio web correspondiente al país de residencia del Propietario). En las condiciones de uso y mantenimiento típicas de viviendas o departamentos unifamiliares normales y privados, WEBER acepta, en el marco de esta Garantía, reparar o sustituir las partes defectuosas dentro de los períodos de tiempo correspondientes y según las limitaciones y exclusiones indicadas a continuación. EN LA MEDIDA EN QUE LO PERMITA LA LEGISLACIÓN APLICABLE, ESTA GARANTÍA SOLO SERÁ VÁLIDA PARA EL COMPRADOR ORIGINAL Y NO PODRÁ TRANSFERIRSE A POSTERIORES PROPIETARIOS, EXCEPTO EN CASO DE REGALO O ENTREGA COMO ARTÍCULO PROMOCIONAL, SEGÚN LO DESCRITO ANTERIORMENTE.

RESPONSABILIDADES DEL PROPIETARIO BAJO ESTA GARANTÍA

A fin de asegurar la debida cobertura de la Garantía, es importante (aunque no obligatorio) registrar el producto WEBER en www.weber.com o el sitio web correspondiente al país de residencia del Propietario. Deben conservarse el recibo y/o la factura de compra originales. Al registrar el producto WEBER, se confirma la cobertura de la Garantía y se establece un vínculo directo con WEBER que el fabricante puede usar si necesita contactar con el Propietario.

La Garantía anterior solo será válida si el Propietario cuida razonablemente el producto WEBER de acuerdo con las instrucciones de armado, las instrucciones de uso y las indicaciones de mantenimiento preventivo descritas en el manual del propietario que lo acompaña, a menos que el Propietario pueda demostrar que la falla o el defecto no guarda relación con el incumplimiento de tales obligaciones. Si el producto se instala en una zona costera o cerca de una alberca, el lavado y enjuague periódicos de las superficies exteriores se considerarán parte del mantenimiento, según lo descrito en el manual del propietario.

GESTIONES EN GARANTÍA Y SITUACIONES NO CUBIERTAS

Si cree estar en una situación cubierta por esta Garantía, contacte con el Servicio de Atención al Cliente de WEBER usando la información de contacto disponible en nuestro sitio web (www.weber.com o el sitio web correspondiente al país de residencia del Propietario). Luego de llevar a cabo las investigaciones que correspondan, WEBER reparará o sustituirá (a decisión propia) la parte defectuosa cubierta por esta Garantía. En caso de que la reparación o sustitución no sea posible, WEBER podrá (a decisión propia) reemplazar el asador en cuestión por otro nuevo de igual o mayor valor. Es posible que WEBER le pida que regrese las partes afectadas para su inspección (deberá cubrir los gastos de transporte).

Esta GARANTÍA no cubre partes dañadas, deterioradas, decoloradas y/u oxidadas por motivos de los que WEBER no sea responsable y tengan su origen en:

- Abuso, mal uso, alteración, modificación, uso indebido, vandalismo, negligencia, armado o instalación incorrectos, u omisión al llevar a cabo las labores normales y rutinarias de mantenimiento.
- Insectos (como arañas) y roedores (como ardillas), incluidos, entre otros, los daños que puedan causar en los tubos de los quemadores y/o las mangueras de gas.
- Exposición a atmósferas salinas y/o fuentes de cloro, como albercas, tinas de hidromasaje o espás.
- Condiciones meteorológicas severas, como granizo, huracanes, terremotos, tsunamis o temporales, tornados o grandes tormentas.

El uso y/o la instalación de partes no fabricadas por WEBER en el producto WEBER es motivo de invalidación de esta Garantía, que no cubrirá los daños que resulten de tales acciones. Toda conversión de un asador de gas no autorizada por WEBER y llevada a cabo por un técnico autorizado por WEBER dará lugar a la invalidación de esta Garantía.

PERÍODOS DE GARANTÍA DEL PRODUCTO

Conjunto de cuerpo y tapa:
10 años sin agrietamiento por corrosión/quemadura

Parrillas de cocción de acero inoxidable:
5 años sin agrietamiento por corrosión/quemadura

Sistema de limpieza ONE-TOUCH:
5 años sin agrietamiento por corrosión/quemadura

Componentes de plástico:
5 años, excepto desvanecimiento o decoloración

Todas las partes restantes:
2 años

EXENCIONES DE RESPONSABILIDADES

APARTE DE LAS GARANTÍAS Y EXENCIONES DESCRITAS COMO PARTE DE ESTA DECLARACIÓN DE GARANTÍA, NO EXISTEN OTRAS GARANTÍAS O DECLARACIONES VOLUNTARIAS DE RESPONSABILIDAD EXPLÍCITAS, MÁS ALLÁ DE LA RESPONSABILIDAD LEGAL APLICABLE A WEBER. ASIMISMO, LA PRESENTE DECLARACIÓN DE GARANTÍA NO LIMITA NI EXCLUYE AQUELLAS SITUACIONES O RECLAMACIONES DE LAS QUE WEBER DEBA HACERSE RESPONSABLE SEGÚN LO PREVISTO EN LA LEY.

NO SE CONSIDERARÁ VÁLIDA NINGUNA OTRA GARANTÍA UNA VEZ VENCIDA ESTA GARANTÍA. WEBER NO ASUMIRÁ NINGUNA OTRA GARANTÍA (INCLUIDAS LAS "GARANTÍAS AMPLIADAS") OFRECIDA POR NINGUNA PERSONA, DISTRIBUIDOR O AGENTE COMERCIAL, EN RELACIÓN CON NINGÚN PRODUCTO. EL ÚNICO OBJETO DE ESTA GARANTÍA ES LA REPARACIÓN O SUSTITUCIÓN DE LA PARTE O EL PRODUCTO EN CUESTIÓN.

ESTA GARANTÍA VOLUNTARIA NO CUBRIRÁ EN NINGÚN CASO IMPORTES ECONÓMICOS SUPERIORES AL PRECIO DE COMPRA DEL PRODUCTO WEBER ADQUIRIDO.

EL USUARIO ASUME EL RIESGO Y LA RESPONSABILIDAD DERIVADOS DE AQUELLAS PÉRDIDAS, DAÑOS O LESIONES SUFRIDOS POR AQUEL Y SU PROPIEDAD Y/U OTRAS PERSONAS Y SUS PROPIEDADES QUE SE DERIVEN DEL MAL USO O ABUSO DEL PRODUCTO, O DE NO RESPETAR LAS INSTRUCCIONES FACILITADAS POR WEBER EN EL MANUAL DEL PROPIETARIO QUE LO ACOMPAÑA.

LAS PARTES Y ACCESORIOS SUSTITUIDOS EN EL MARCO DE ESTA GARANTÍA GOZARÁN DE UN PERÍODO DE GARANTÍA EQUIVALENTE AL TIEMPO RESTANTE DEL PERÍODO DE GARANTÍA ORIGINAL INDICADO ANTERIORMENTE.

ESTA GARANTÍA SOLO ES VÁLIDA PARA EL USO EN VIVIENDAS O DEPARTAMENTOS UNIFAMILIARES PRIVADOS, NO ASÍ PARA ASADORES WEBER DESTINADOS AL USO EN INSTALACIONES COMERCIALES, COMUNITARIAS O DE UNIDADES MÚLTIPLES, COMO RESTAURANTES, HOTELES, COMPLEJOS TURÍSTICOS O PROPIEDADES DE RENTA.

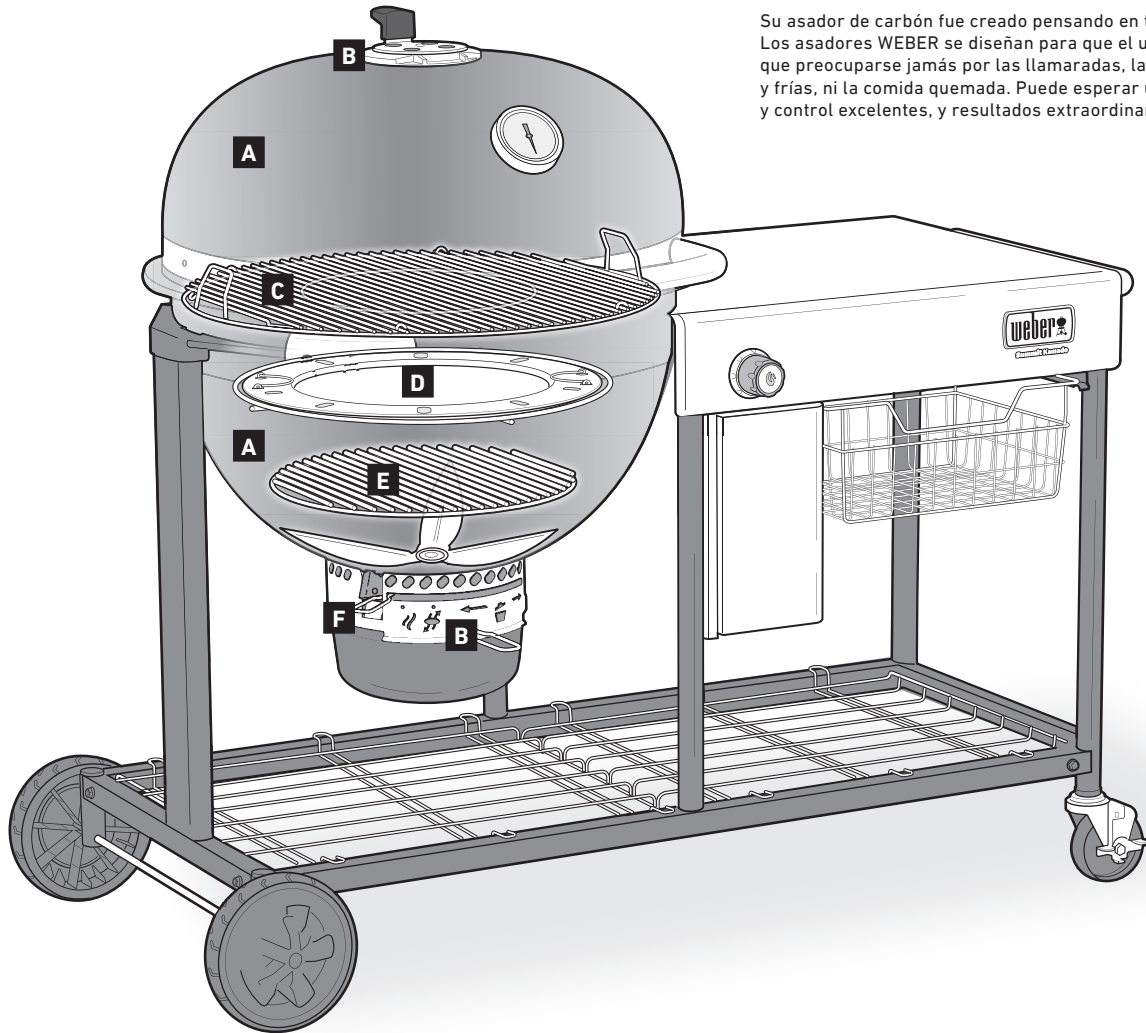
WEBER PUEDE ALTERAR EL DISEÑO DE SUS PRODUCTOS CADA CIERTO TIEMPO. NINGUNA DE LAS ESTIPULACIONES QUE CONTIENE ESTA GARANTÍA DEBE CONSIDERARSE CONSTITUYENTE DE UNA OBLIGACIÓN POR PARTE DE WEBER DE INCORPORAR TALES CAMBIOS DE DISEÑO A PRODUCTOS FABRICADOS ANTERIORMENTE; DEL MISMO MODO, LA APLICACIÓN DE TALES CAMBIOS NO CONSTITUIRÁ UNA ADMISIÓN DEL CARÁCTER DEFECTUOSO DE LOS DISEÑOS ANTERIORES.

Consulte la lista de delegaciones comerciales internacionales que encontrará al final de este manual del propietario para obtener información de contacto adicional.

ÍNDICE

- 34 Seguridad
- 35 Garantía
- 4 Ensamblaje
- 36 Sistema de asado
- 37 Características
- 38 Información importante acerca del gas LP y las conexiones de gas
- 39 Preparativos para usar el asador
- 40 Antes del encendido
 - Elección de un lugar apropiado para asar
 - Elección de la cantidad de carbón
 - La primera vez que use el asador
 - Preparación del asador para el encendido
- 41 Encendido del carbón
 - Encendido del carbón usando un encendedor de carbón
 - Encendido del carbón usando cubos de encendido
 - Encendido del carbón usando CHAR-BASKETS
- 42 Encendido del quemador: sistema de encendido por gas SNAP-JET
- 44 Métodos de asado
 - Fuego directo
 - Fuego indirecto
 - Ahumado
- 47 Trucos y consejos para asar con éxito
- 48 Mantenimiento
- 51 Refacciones

Visite www.weber.com, seleccione su país de residencia y registre hoy mismo su asador.



Su asador de carbón fue creado pensando en todos los detalles. Los asadores WEBER se diseñan para que el usuario no tenga que preocuparse jamás por las llamaradas, las áreas calientes y frías, ni la comida quemada. Puede esperar un funcionamiento y control excelentes, y resultados extraordinarios siempre.

A Cuerpo y tapa

El cuerpo y la tapa, de doble pared y aislados por aire, conservan el calor durante más tiempo para prolongar la cocción y mantener la temperatura bajo control. La exclusiva forma de bola del asador de carbón SUMMIT le permite cocinar realmente por convección.

B Reguladores y ventilas

Uno de los factores más determinantes a la hora de cocinar con carbón es el aire. Cuanto más aire atraviesa un asador, más arde el fuego (hasta un cierto punto), provocando que el carbón se consuma mucho más rápido. La ventila del cuerpo, ubicada en la parte inferior del asador, debe permanecer abierta al cocinar a la parrilla o en la posición de ahumado al ahumar. El regulador superior se utiliza para controlar la temperatura dentro del asador; no obstante, este nunca debe cerrarse completamente.

C Parrilla de cocción

Fabricada en acero inoxidable de alta resistencia, la parrilla de cocción le ofrece espacio en abundancia para cocinar sus platos favoritos.

D Placa difusora

La placa difusora de acero inoxidable se usa para mantener constante la temperatura, dirigir el calor hacia los alimentos y rodearlos de humo. Siempre se usa al ahumar. No obstante, también se puede usar para maximizar el espacio de cocción al cocinar indirectamente.

E Rejilla de combustible

La rejilla de combustible está diseñada para soportar el calor generado por el carbón encendido. Hecha de acero de uso rudo, esta durable rejilla no se deformará ni sufrirá efectos de la combustión. La rejilla se puede colocar en una posición elevada del cuerpo para cocinar a la parrilla y en otra más baja para ahumar.

F Sistema de limpieza ONE-TOUCH

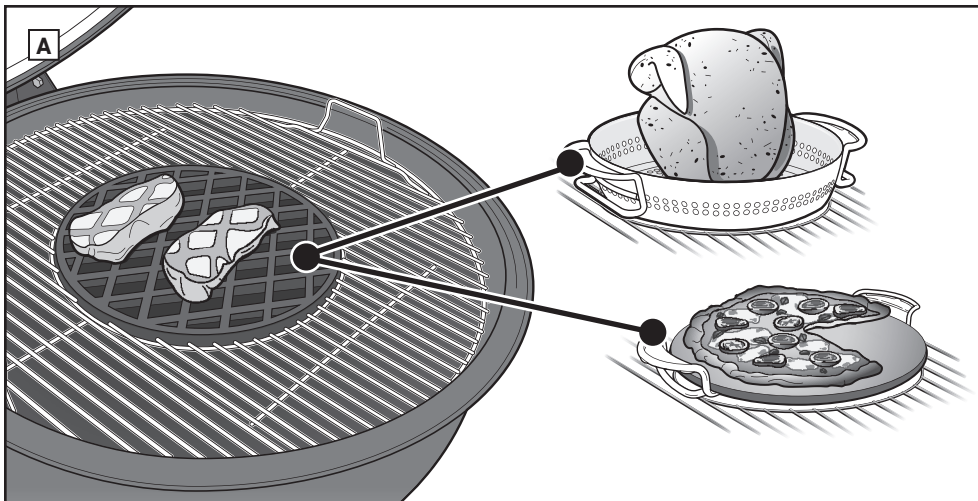
El sistema de limpieza de acero inoxidable ONE-TOUCH convierte la limpieza en un sencillo proceso. Con solo mover la palanca hacia atrás y hacia delante, las tres aspas del cuerpo transfieren las cenizas desde el fondo del asador hasta el cenicero de alta capacidad para que deshacerse de ellas sea una tarea rápida e higiénica. Las mismas aspas funcionan como regulador de ventilación del cuerpo del asador suministrando oxígeno al fuego o permitiéndole extinguirlo fácilmente.



El asador WEBER SUMMIT KAMADO S6 no es un asador cualquiera. Sus extraordinarias características e innovador diseño le permiten cocinar y ahumar los alimentos cómoda y fácilmente.

A GOURMET BBQ SYSTEM

La parrilla de cocción GOURMET BBQ SYSTEM es la parrilla central de forma circular en el interior de la parrilla de cocción articulada. Es extraíble y puede reemplazarse con cualquiera de los accesorios WEBER GOURMET BBQ SYSTEM (de venta por separado). Para conocer la gama completa de accesorios GOURMET BBQ SYSTEM, visite nuestro sitio web en: www.weber.com.



B Sistema de encendido por gas SNAP-JET

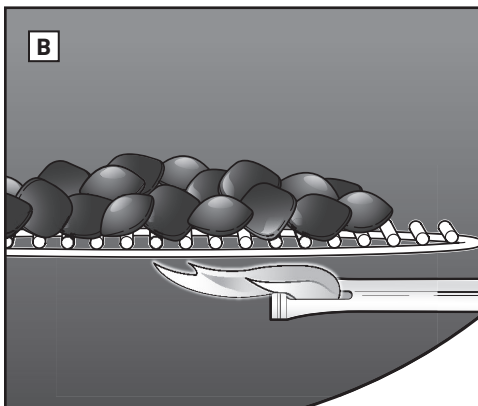
Gracias al sistema de encendido por gas SNAP-JET, encender el carbón nunca había sido tan fácil. Solo hay que apilar el carbón encima del tubo del quemador y encenderlo usando la perilla de control del quemador.

C Cenicero de alta capacidad

El cenicero de alta capacidad, perfectamente aislado, evita que vuelen las cenizas y se separa fácilmente para deshacerse de ellas rápidamente y con limpieza. (No se muestra en las ilustraciones).

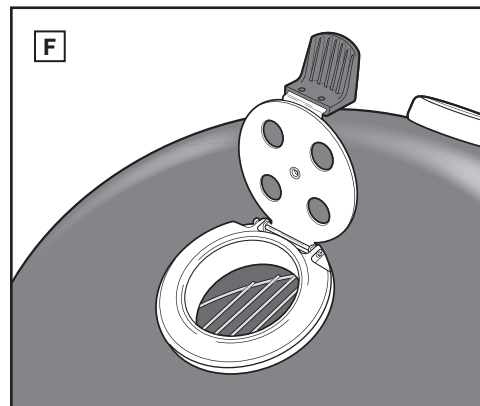
D Plato difusor de acero inoxidable

Este plato difusor especialmente diseñado se utiliza específicamente para ahumar alimentos, así como para la cocción indirecta.



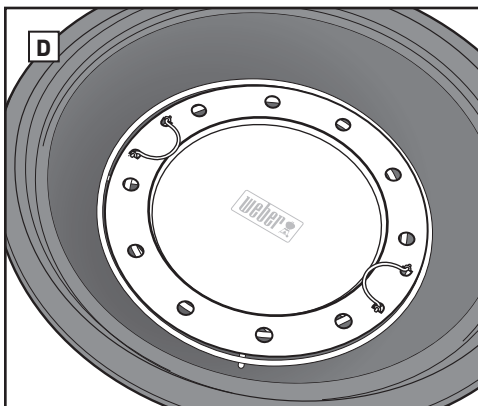
E Termómetro integrado

El resistente termómetro integrado en la tapa le permite controlar fácilmente la temperatura del asador. La zona de "ahumado" del termómetro indica cuándo se ha alcanzado la temperatura ideal para ahumar.



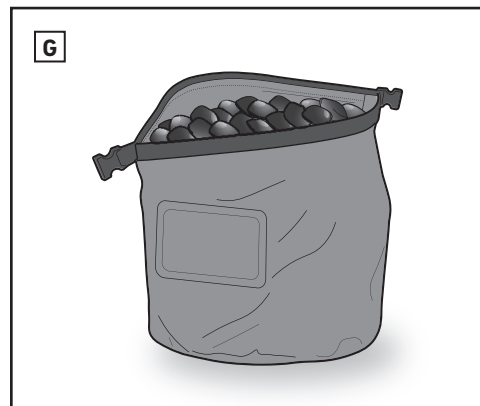
F Regulador RAPIDFIRE

El regulador RAPIDFIRE con bisagras maximiza el flujo de aire e incrementa rápidamente la temperatura para que todo esté listo para cocinar en menos de 20 minutos. También contribuye a recuperar la temperatura con rapidez.



G Bolsa de almacenamiento de combustible

La bolsa portátil de almacenamiento de combustible permite almacenar hasta 9.1 kg de carbón y mantiene el combustible seco y protegido frente a los elementos.

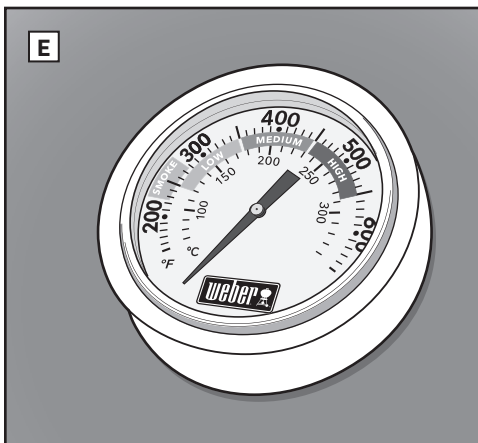


H Bisagra Easy-Open

La tapa del asador incorpora una bisagra con resorte que permite abrirla y cerrarla fácilmente y con seguridad. La bisagra impide que la tapa se cierre bruscamente, evitando así posibles lesiones o daños a el asador. (No se muestra en las ilustraciones).

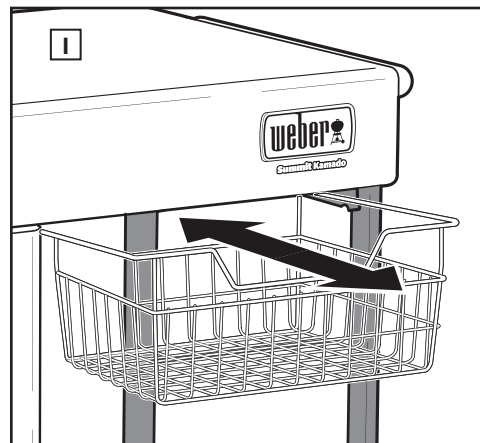
I Canastilla de acero inoxidable

La canastilla de acero inoxidable desmontable es fantástica para guardar accesorios y utensilios de asado. Ingeniosamente ubicada debajo de la mesa de acero inoxidable, es muy fácil acceder a ella durante la cocción.



J Ventiladas del cuerpo para cocinar a baja temperatura y ahumar

La forma de las ventiladas del cuerpo garantiza el flujo de aire perfecto para cocinar a baja temperatura y ahumar. (No se muestra en las ilustraciones).





INFORMACIÓN IMPORTANTE ACERCA DEL GAS LP Y LAS CONEXIONES DE GAS LP

¿QUÉ ES EL GAS LP?

El gas licuado de petróleo, también conocido como LP, gas LP, propano líquido o, simplemente, propano o butano, es un producto inflamable derivado del petróleo que debe usar como combustible para su asador. A temperaturas y presiones moderadas, fuera de un contenedor, es un gas. Sin embargo, a presiones moderadas adentro de un contenedor (como un cilindro), el gas LP es un líquido. Conforme se libera la presión del cilindro, el líquido se evapora rápidamente, convirtiéndose en gas LP.

- El GLP tiene un olor similar al gas natural. Debe permanecer alerta ante su aparición.
- El GLP es más pesado que el aire. Una fuga de este gas puede acumularse en áreas bajas y resistirse a la dispersión.

⚠ PELIGRO

NUNCA guarde un cilindro de gas LP de repuesto debajo de un aparato de gas WEBER o cerca de él. El incumplimiento de esta indicación específica puede causar un incendio que resulte en muertes o lesiones graves.

CONSEJOS DE SEGURIDAD PARA EL MANEJO DE CILINDROS DE GAS LP

Existen varias directrices y factores de seguridad a considerar cuando use gas LP. Siga con atención estas instrucciones antes de usar su asador de gas WEBER.

- No emplee cilindros de gas LP dañados, abollados u oxidados.
- Maneje los cilindros de gas LP vacíos con el mismo cuidado que lo haría con los llenos. Aunque un cilindro de gas LP ya no contenga líquido, puede existir todavía gas a presión en su interior.
- Los cilindros de gas LP no deben dejarse caer ni manipularse con brusquedad.
- No almacene ni transporte un cilindro de gas LP a temperaturas superiores a 51.7 °C (el cilindro se calentaría demasiado como para sujetarlo con la mano). Por ejemplo, no debe dejarse un cilindro de gas LP adentro de un auto en un día caluroso.
- Los cilindros de gas LP deben mantenerse fuera del alcance de los niños.

ALMACENAMIENTO Y/O DESUSO

Si el asador ha permanecido guardado o sin usar por algún tiempo, es importante respetar las siguientes directrices:

- Desconecte el cilindro si: 1) este se encuentra vacío; 2) el asador se almacena en una cochera u otro espacio cerrado; 3) el asador está siendo transportado; o 4) el asador no está en uso.
- Coloque la cubierta de protección sobre la válvula de salida del cilindro cuando este no se encuentre en uso.
- No almacene un cilindro de gas LP desconectado en un edificio, una cochera o cualquier otro espacio cerrado.
- Antes de usar este asador WEBER, revise que no existan fugas de gas o cualquier tipo de obstrucción en el tubo del quemador. (Consulte las secciones "PRUEBA DE FUGAS DE GAS" y "MANTENIMIENTO ANUAL").
- Revise que el cuerpo del asador y el cenicero de alta capacidad se encuentren libres de residuos que puedan obstruir el flujo de combustión o la ventilación.
- Debe revisarse también que el tubo del quemador no presente ninguna obstrucción. (Consulte la sección "MANTENIMIENTO ANUAL").

CÓDIGOS DE INSTALACIÓN ESTADOUNIDENSES

La instalación debe tener lugar de acuerdo con los códigos locales o, en ausencia de códigos locales, de conformidad con la edición más reciente de la norma "National Fuel Gas Code, ANSI Z223.1/NFPA 54".

CÓDIGOS DE INSTALACIÓN CANADIENSES

En los casos en los que se considera generalmente aceptable, estas instrucciones no cumplen necesariamente los códigos de instalación canadienses. En Canadá, la instalación de este aparato debe cumplir los requisitos establecidos por los códigos locales y/o la edición más reciente de la norma "CAN/CSA-B149.2 (Propane Storage and Handling Code)".

NOTA: Su distribuidor puede indicarle cuál es el cilindro de repuesto adecuado para su asador.

CONEXIÓN DEL REGULADOR

Su asador de gas WEBER está equipado con un regulador de presión, que es un dispositivo destinado a controlar y mantener uniforme la presión del gas mientras este se libera desde el cilindro de gas LP. Los reguladores de presión WEBER están diseñados para eliminar el vapor.

- Debe emplearse el regulador de presión suministrado con este asador de gas WEBER. Dicho regulador está ajustado a una presión de 279 mm.c.a.

USO DEL QUEMADOR

El quemador de gas de su asador de carbón SUMMIT funciona a 10,000 BTU. Está diseñado exclusivamente para encender el carbón. No debe emplearse para cocinar bajo ninguna circunstancia.

INSTALACIÓN DEL CILINDRO DE GAS LP

Use cilindros de gas LP desechables con una capacidad de 450 g o 465 g, equipados con conexión CGA 600.

⚠ PRECAUCIÓN: Use solo cilindros que estén marcados con las palabras "Propane Fuel" (propano combustible).

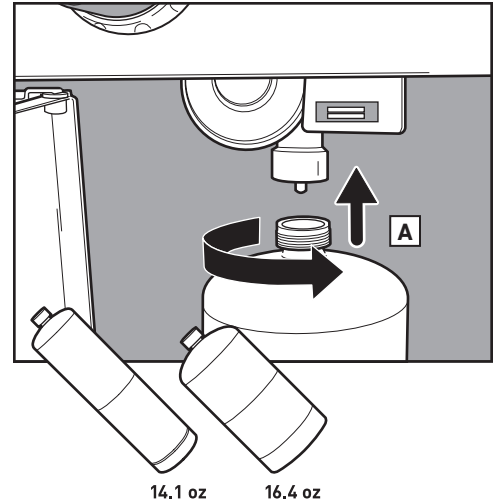
1. Asegúrese de que la perilla de control del quemador esté apagada presionándola hacia dentro y girándola en sentido horario hasta la posición de cierre (O).
2. Inserte el cilindro de propano en el regulador y gírelo en sentido horario hasta que quede bien ajustado (A).

⚠ ADVERTENCIA: No use una llave española para apretar la conexión. Si usa una llave, podría dañar el acoplamiento del regulador y provocar una fuga.

DESINSTALACIÓN DEL CILINDRO DE GAS LP

Si necesita sustituir el cilindro de gas LP, desinstálelo siguiendo las instrucciones descritas a continuación.

1. Asegúrese de que la perilla de control del quemador esté apagada presionándola hacia dentro y girándola en sentido horario hasta la posición de cierre (O).
2. Desenrosque el cilindro de propano del regulador.





¿QUÉ ES UNA PRUEBA DE FUGAS?

El sistema de combustible de este asador cuenta con diferentes conexiones y puertos. Una prueba de fugas es una manera confiable de garantizar que no existan escapes de gas en ninguna conexión ni puerto.

Aunque se ha comprobado exhaustivamente que ninguna de las conexiones realizadas en la fábrica presenta fugas de gas, es importante efectuar una prueba de fugas antes de usar el asador por vez primera, así como cada vez que se desconecte y se vuelva a conectar un puerto o se lleve a cabo el mantenimiento periódico.

⚠ PELIGRO

No use llamas abiertas para comprobar la existencia de fugas de gas. Asegúrese de que no se generen chispas ni llamas abiertas en la zona durante la prueba de fugas. Lo anterior puede causar un incendio explosión que resulte en lesiones personales graves, muertes y daños materiales.

⚠ **ADVERTENCIA:** Las conexiones de gas de su asador han sido comprobadas en la fábrica. Le recomendamos, no obstante, realizar una prueba de fugas de todas las conexiones de gas antes de usar su asador.

⚠ **ADVERTENCIA:** Lleve a cabo estas pruebas incluso si su asador se montó en el distribuidor o en el establecimiento de venta.

⚠ **ADVERTENCIA:** Revise que no existan fugas de gas cada vez que desconecte y vuelva a conectar una conexión de gas.

NOTA: Todas las conexiones realizadas en la fábrica atraviesan pruebas exhaustivas de detección de fugas; el quemador, además, supera diferentes pruebas de prendido de llamas. No obstante, como precaución, antes de usar su asador de gas WEBER, debe comprobar que no existan fugas en ninguna de las conexiones. Durante el transporte, podría haberse soltado o dañado alguna conexión de gas.

PRUEBA DE FUGAS DE GAS

Necesitará: un pulverizador, una brocha o un trapo y una solución de agua y jabón. (Puedes hacer tu propia solución de agua y jabón mezclando un 20 % de jabón líquido y un 80 % de agua; también puedes adquirir una solución de prueba de fugas en la sección de plomería de cualquier tienda de bricolaje).

1. Asegúrese de que la perilla de control del quemador esté apagada presionándola hacia adentro y girándola en sentido horario hasta la posición de cierre (O).

⚠ **ADVERTENCIA:** No encienda el quemador durante la prueba de fugas.

2. Para comprobar si existen fugas, humedezca las conexiones con la solución de agua y jabón empleando un pulverizador, una brocha o un trapo. Si se forman burbujas o crece una de ellas, existirá una fuga. Aplica la solución de agua y jabón a las siguientes conexiones:

a. Conexión entre el regulador y el cilindro (A).

⚠ **ADVERTENCIA:** De existir una fuga en la conexión (A), retire el cilindro de propano. **NO USE EL ASADOR.** Instale otro cilindro de propano y vuelva a revisar la existencia de fugas empleando una solución de agua y jabón. Si la fuga no desaparece luego de instalar otro cilindro de propano, retire el cilindro de propano. **NO USE EL ASADOR.** Póngase en contacto con el representante de atención al cliente de su zona mediante la información de contacto disponible en nuestro sitio web. Visite www.weber.com.

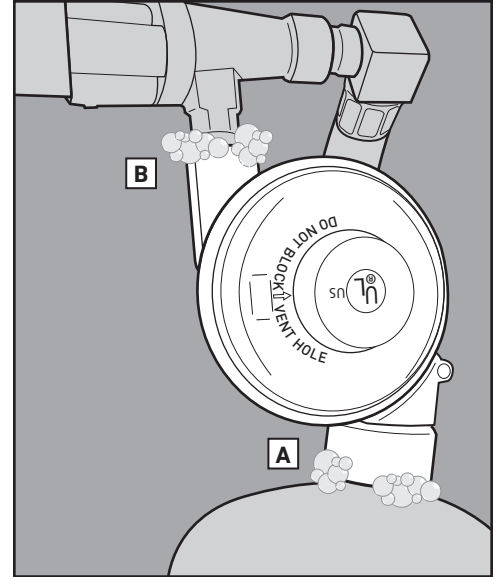
b. Conexión entre la válvula y el regulador (B).

⚠ **ADVERTENCIA:** De existir una fuga en la conexión (B), retire el cilindro de propano. **NO USE EL ASADOR.** Póngase en contacto con el representante de atención al cliente de su zona mediante la información de contacto disponible en nuestro sitio web. Visite www.weber.com.

3. Al completar la prueba de fugas, enjuague las conexiones con agua.

NOTA: Ciertas soluciones de prueba de fugas, incluidas las compuestas de agua y jabón, pueden resultar ligeramente corrosivas, por lo que es importante enjuagar bien todas las conexiones con agua después de la prueba.

Ahora ya tienes todo listo para usar el asador.



SUSTITUCIÓN DE LA MANGUERA, EL REGULADOR Y LA VÁLVULA

⚠ **NOTA IMPORTANTE:**

Se recomienda sustituir el conjunto de la manguera de gas de la barbacoa WEBER cada cinco años. Puede que las normativas de ciertos países exijan sustituir la manguera de gas antes de cinco años; en tal caso, la normativa del país correspondiente tendrá prioridad.

Póngase en contacto con el representante del Servicio de Atención al Cliente de su zona usando la información de contacto disponible en nuestro sitio web si necesita adquirir mangueras, reguladores o válvulas de repuesto. Visite www.weber.com.



ANTES DEL ENCENDIDO

Elección de un lugar apropiado para asar

- Este asador solo se debe usar al aire libre, en áreas bien ventiladas. Se prohíbe el uso en cocheras, edificios, pasillos cubiertos u otras áreas cerradas.
- Mantenga el asador en todo momento sobre una superficie firme y nivelada.
- No use el asador a menos de 1.5 m de cualquier material combustible. Se consideran materiales combustibles, entre otros, las plataformas, patios y porches de madera o madera tratada.

Elección de la cantidad de carbón

La cantidad de carbón o briquetas a elegir dependerá de lo que se vaya a asar y del tamaño de su asador. Para cocinar piezas pequeñas y tiernas que requieran menos de 20 minutos, consulte la tabla *Carbón necesario para fuego directo*. Para cocinar a la parrilla o ahumar piezas más grandes que requieran 20 minutos o más, o alimentos delicados, consulte la tabla *Carbón necesario para fuego indirecto*. Para más información acerca de la diferencia entre el asado directo y el asado indirecto, consulte las secciones *MÉTODOS DE ASADO*.

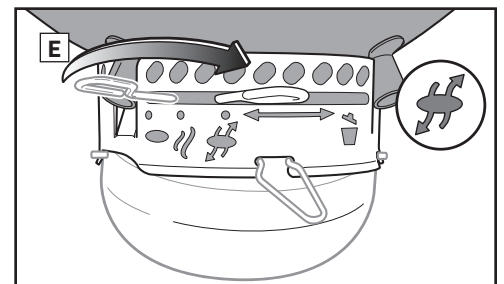
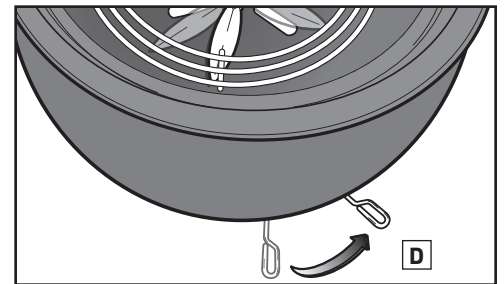
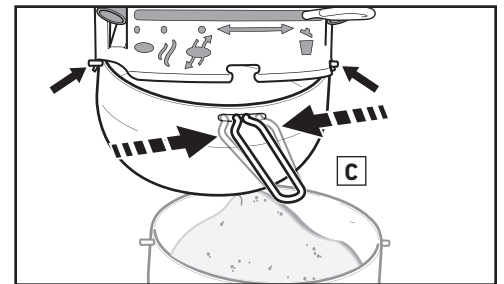
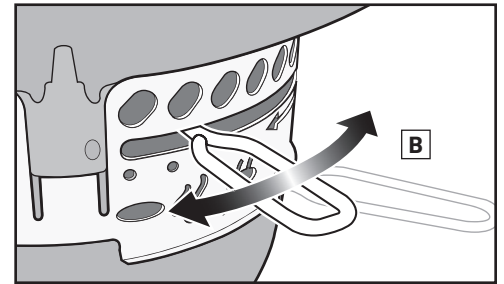
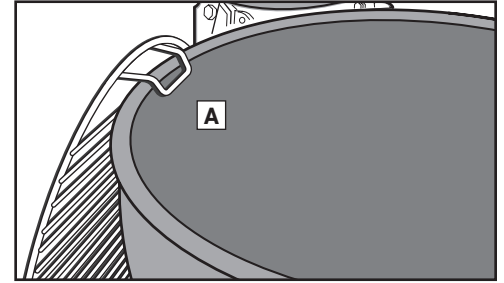
La primera vez que use el asador

Se recomienda calentar el asador y mantener el combustible al rojo vivo con la tapa puesta durante al menos 30 minutos antes de cocinar por primera vez con la finalidad de incinerar los residuos del proceso de fabricación.

Preparación del asador para el encendido

1. Abra la tapa.
2. Extraiga la parrilla de cocción del asador. Para mayor comodidad, cuelgue la parrilla de cocción en el cuerpo del asador por sus asas curvadas (A).
3. Saque la rejilla para carbón (inferior) y limpie el fondo del cuerpo de cenizas y terrones de carbón. El carbón requiere oxígeno para arder, así que asegúrese de que nada obstruya las ventilas. Usando el sistema de limpieza ONE-TOUCH, mueva la palanca hacia atrás y hacia adelante para pasar las cenizas del fondo del asador al cenicero (B).
4. Sujete el mango del cenicero para sacarlo del asador (C).
5. Abra la ventila del cuerpo moviendo el mango al tope derecho (D) o a la posición de apertura (E).
6. Vuelva a instalar la rejilla para carbón (inferior).

Nota: Las instrucciones para el uso de líquidos de encendido se han excluido deliberadamente de esta guía del propietario. Los líquidos de encendido son incómodos y pueden transmitir un sabor a químico a los alimentos, lo cual no sucede con los cubos de encendido (a la venta por separado). Si prefiere usar un líquido de encendido, siga las instrucciones del fabricante y NUNCA lo aplique directamente sobre las llamas.



Carbón necesario para fuego directo

Briquetas de carbón	Carbón vegetal*	Briquetas WEBER
60 briquetas (1.5 cubetas)	3.5 cubetas	40 briquetas (1 cubeta)

* Use la cubeta medidora incluida con el asador para medir las cantidades de carbón.

Carbón necesario para fuego indirecto

Briquetas de carbón necesarias para la primera hora (por lado)	Briquetas de carbón a agregar por cada hora adicional (por lado)
30 briquetas (0.75 cubetas)	9 briquetas (0.25 cubetas)

Carbón vegetal* necesario para la primera hora (por lado)	Carbón vegetal* a agregar por cada hora adicional (por lado)
2 cubetas	0.5 cubetas

Briquetas WEBER necesarias para la primera hora (por lado)	Briquetas WEBER a agregar por cada hora adicional (por lado)
20 briquetas (0.5 cubetas)	8 briquetas (0.25 cubetas)

* Use la cubeta medidora incluida con el asador para medir las cantidades de carbón.



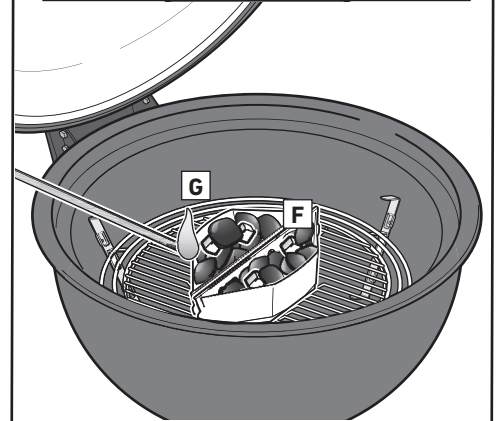
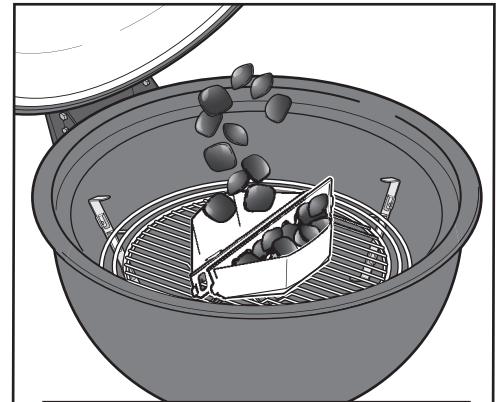
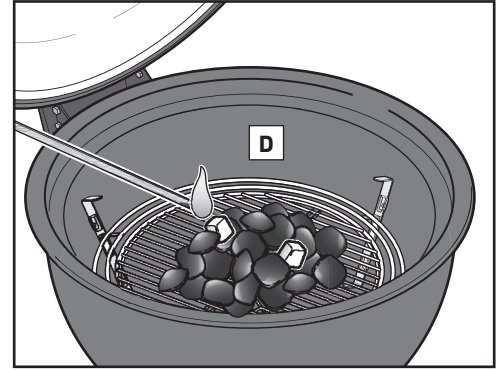
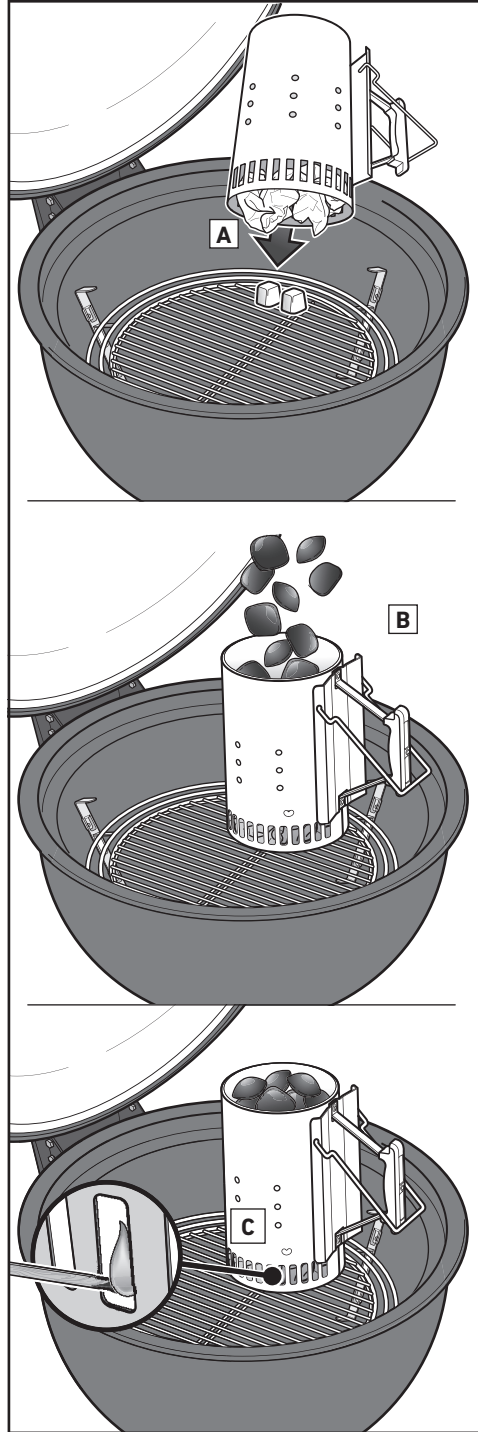
Encendido del carbón usando un encendedor de carbón

La forma más sencilla de encender cualquier tipo de carbón es usar un encendedor de carbón: el encendedor de carbón WEBER RAPIDFIRE (a la venta por separado). Consulte las precauciones y advertencias incluidas con el encendedor de carbón RAPIDFIRE antes de encender carbón. Cuando encienda el carbón, asegúrese de que todos los reguladores estén completamente abiertos.

1. Introduzca un par de hojas de papel de periódico arrugado en el fondo del encendedor de carbón y colóquelo en la rejilla para carbón (A); alternativamente, ponga unos cuantos cubos de encendido en el centro de la rejilla para carbón y coloque el encendedor de carbón sobre ellos.
2. Llene el encendedor de carbón con carbón (B).
3. Encienda los cubos de encendido o el periódico a través de los orificios que se ubican por un lado del encendedor de carbón (C).
4. Mantenga el encendedor de carbón en su lugar hasta que el carbón esté completamente encendido. Sabrá cuándo se ha encendido por completo el carbón porque se cubrirá con una capa de ceniza blanca. Esto puede tardar entre 15 y 30 minutos. Nunca cierre la tapa con el encendedor de carbón dentro del asador.

Nota: Los cubos de encendido usados deben haberse consumido totalmente y el carbón debe haberse cubierto con una capa de ceniza antes de poner alimentos en la parrilla de cocción.

5. Cuando el carbón esté completamente encendido, siga las instrucciones descritas en las páginas siguientes acerca de la distribución del carbón y del inicio de la cocción según el método de cocción que desee aplicar.



Encendido del carbón usando cubos de encendido

Cuando encienda el carbón, asegúrese de que todos los reguladores del cuerpo y la tapa estén completamente abiertos.

1. Forme una pirámide con el carbón en medio de la rejilla para carbón (inferior) e inserte un par de cubos de encendido (a la venta por separado) en la pirámide (D).
2. Prenda los cubos de encendido con un encendedor de cocina o un cerillo largo. Los cubos de encendido prenderán entonces el carbón.
3. Espere hasta que el carbón esté completamente encendido. Sabrá cuándo se ha encendido por completo el carbón porque se cubrirá con una capa de ceniza blanca. Esto puede tardar entre 15 y 30 minutos.

Nota: Los cubos de encendido usados deben haberse consumido totalmente y el carbón debe haberse cubierto con una capa de ceniza antes de poner alimentos en la parrilla de cocción.

4. Cuando el carbón esté completamente encendido, siga las instrucciones descritas en las páginas siguientes acerca de la distribución del carbón y del inicio de la cocción según el método de cocción que desee aplicar.

Encendido del carbón usando CHAR-BASKETS

Cuando encienda el carbón, asegúrese de que todos los reguladores del cuerpo y la tapa estén completamente abiertos.

1. Coloque las CHAR-BASKETS en el centro de la rejilla para carbón y llénelas de carbón (E).
2. Inserte un par de cubos de encendido (a la venta por separado) en cada una de las CHAR-BASKETS (F). Asegúrese de anidarlos en el carbón.
3. Prenda los cubos de encendido con un encendedor de cocina o un cerillo largo. Los cubos de encendido prenderán entonces el carbón (G).
4. Espere hasta que el carbón esté completamente encendido. Sabrá cuándo se ha encendido por completo el carbón porque se cubrirá con una capa de ceniza blanca. Esto puede tardar entre 15 y 30 minutos.

Nota: Los cubos de encendido usados deben haberse consumido totalmente y el carbón debe haberse cubierto con una capa de ceniza antes de poner alimentos en la parrilla de cocción.

5. Cuando el carbón esté completamente encendido, siga las instrucciones descritas en las páginas siguientes acerca de la distribución del carbón y del inicio de la cocción según el método de cocción que desee aplicar.

⚠ Use guantes para asar resistentes al calor al cocinar, ajustar las ventilas (reguladores), agregar carbón y manipular el termómetro o la tapa.

⚠ No cierre la tapa con el encendedor de carbón dentro del asador.



ENCENDIDO DEL QUEMADOR: SISTEMA DE ENCENDIDO POR GAS SNAP-JET

MÉTODOS DE ENCENDIDO DEL QUEMADOR

Existen dos modos de encender el quemador. El primero es usar el sistema de encendido por gas SNAP-JET integrado en la perilla de control del quemador del asador. El segundo es con un cerillo.

A continuación se describen los pasos necesarios para encender el asador usando el sistema de encendido por gas SNAP-JET. En la página siguiente encontrará los pasos necesarios para encender el asador usando un cerillo.

Las instrucciones de encendido resumidas están disponibles también en el módulo de encendido.

Encendido del quemador: encendido con el sistema de encendido por gas SNAP-JET

1. Gire el regulador RAPIDFIRE hasta la posición de apertura (A).
2. Deslice el brazo de la ventila del cuerpo del asador hasta la posición de apertura (B).
3. Asegúrese de que la perilla de control del quemador se encuentre en la posición de cierre (O) (C). Revíselo presionando la perilla hacia adentro y girándola en sentido horario hasta que se detenga.
4. Verifique que el cilindro esté correctamente instalado. Consulte la sección "INSTALACIÓN DEL CILINDRO DE GAS LP".
5. Abra la tapa del asador (D).

⚠ PELIGRO

En caso de no abrir la tapa antes de encender el quemador del asador, o de no esperar cinco minutos para que el gas se disipe si el asador no se enciende, se podría producir una llamarada explosiva con resultado de lesiones graves o muertes.

6. Ubique el carbón sobre la parrilla de combustible. Consulte las secciones "MÉTODOS DE ASADO" para más información acerca de la posición correcta de la parrilla de combustible y el carbón.
7. Presione la perilla de control del quemador y gírela en sentido antihorario hasta la posición de encendido (●) (E). Al hacerlo, oírás los chasquidos del sistema de encendido. Repita este paso hasta que el quemador se encienda.
8. Revise que el quemador se encienda buscando una llama.

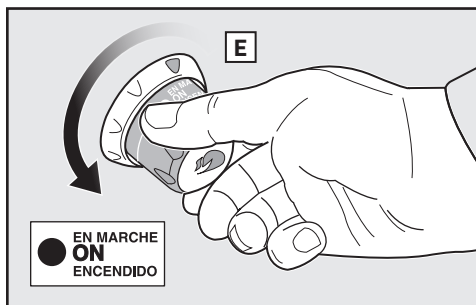
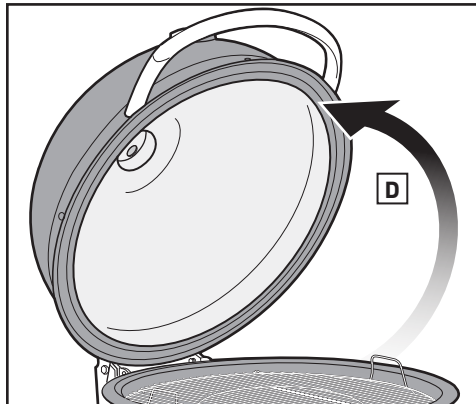
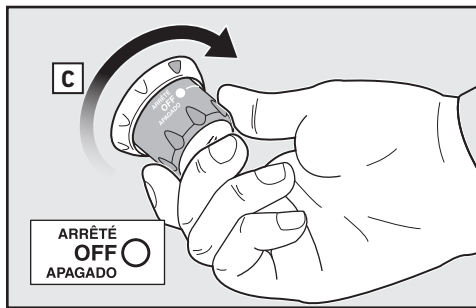
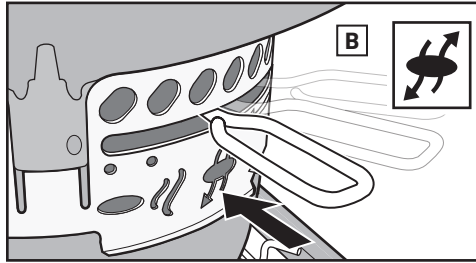
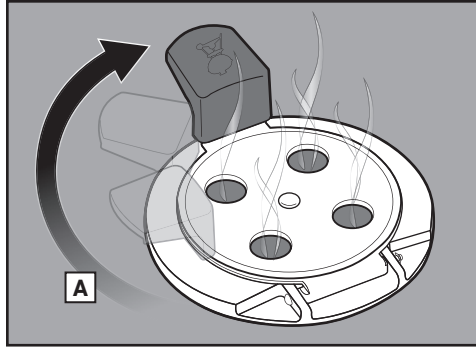
⚠ ADVERTENCIA: Si el quemador no se enciende antes de cinco segundos, deje de presionar, gire la perilla de control hasta la posición de cierre y espere cinco minutos para que el gas se disipe antes de volver a intentarlo o usar un cerillo.

⚠ ADVERTENCIA: No se incline sobre el asador abierto durante el encendido.

⚠ PRECAUCIÓN: Es posible que la llama resulte difícil de ver en un día luminoso.

9. Coloque la perilla de control del quemador en la posición de cierre (O) después de 12-14 minutos para cocción directa o indirecta. Para ahumar, no obstante, coloque la perilla de control del quemador en la posición de cierre (O) luego de 7-10 minutos.

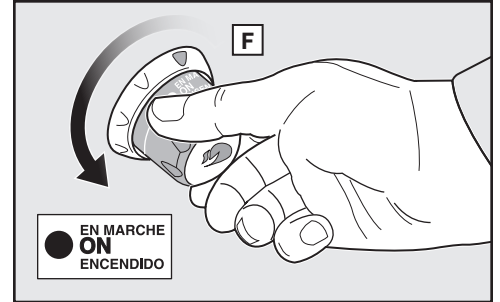
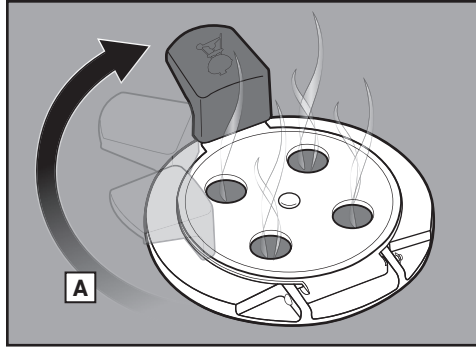
NOTA: El quemador solo se debe usar para encender el carbón, no para cocinar. Gire la perilla de control del quemador hasta la posición de cierre en cuanto el carbón esté encendido para no malgastar el combustible del cilindro desechable.





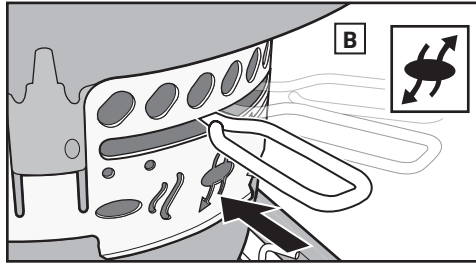
ENCENDIDO DEL QUEMADOR: encendido con un cerillo

1. Gire el regulador RAPIDFIRE hasta la posición de apertura (A).
2. Deslice el brazo de la ventila del cuerpo del asador hasta la posición de apertura (B).
3. Asegúrese de que la perilla de control del quemador se encuentre en la posición de cierre (O) (C). Revíselo presionando la perilla hacia adentro y girándola en sentido horario hasta que se detenga.
4. Verifique que el cilindro esté correctamente instalado. Consulte la sección "INSTALACIÓN DEL CILINDRO DE GAS LP".
5. Abra la tapa del asador (D).

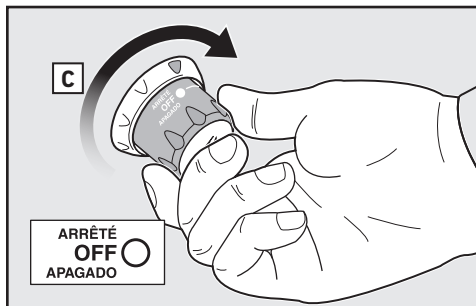


⚠ PELIGRO

En caso de no abrir la tapa antes de encender el quemador del asador, o de no esperar cinco minutos para que el gas se disipe si el asador no se enciende, se podría producir una llamarada explosiva con resultado de lesiones graves o muertes.



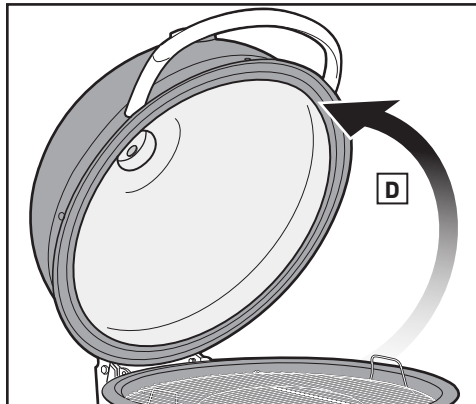
6. Consulte las secciones "MÉTODOS DE ASADO" para más información acerca de la posición correcta de la parrilla de combustible y el carbón. Ubique el carbón sobre la parrilla de combustible.
7. Inserte el cerillo en el portacerillos que encontrará en la cara interior de la puerta y encienda el cerillo. Inserte el portacerillos con el cerillo encendido bajo el carbón, junto a la punta del tubo del quemador (E).



⚠ ADVERTENCIA: No ponga la mano directamente sobre el quemador mientras lo enciende con un cerillo.

8. Presione la perilla de control del quemador y gírela *lentamente* en sentido antihorario hasta la posición de encendido (●) (F).
9. Revise que el quemador se encienda buscando una llama.

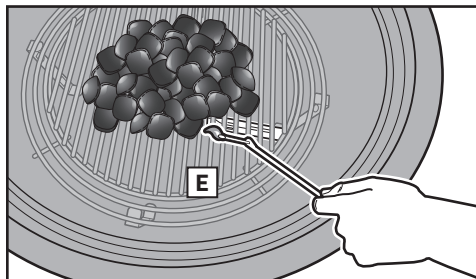
⚠ ADVERTENCIA: Si el quemador no se enciende antes de cinco segundos, deténgase, gire la perilla de control del quemador hasta la posición de cierre y espere cinco minutos para que el gas se disipe antes de volver a intentarlo o usar un cerillo.



⚠ ADVERTENCIA: No se incline sobre el asador abierto durante el encendido.

⚠ PRECAUCIÓN: Es posible que la llama resulte difícil de ver en un día luminoso.

10. Coloque la perilla de control del quemador en la posición de cierre (O) después de 12-14 minutos para cocción directa o indirecta. Para ahumar, no obstante, coloque la perilla de control del quemador en la posición de cierre (O) luego de 7-10 minutos.



NOTA: El quemador solo se debe usar para encender el carbón, no para cocinar. Gire la perilla de control del quemador hasta la posición de cierre en cuanto el carbón esté encendido para no malgastar el combustible del cilindro desechable.



MÉTODOS DE ASADO: FUEGO DIRECTO

La barbacoa WEBER SUMMIT KAMADO puede usarse para tres métodos de cocción: fuego directo, fuego indirecto y ahumado. Antes de continuar, determine el método de cocción más adecuado y siga las instrucciones de cocción correspondientes descritas en esta guía del propietario.

NOTA: Cocinar en climas fríos o a gran altura prolonga los tiempos de cocción. Las condiciones climáticas de viento aumentarán la temperatura de la barbacoa.

COCCIÓN A LA BARBACOA CON FUEGO DIRECTO

Use el método directo para cocinar alimentos tiernos de pequeño tamaño que requieran menos de 20 minutos de cocción, como hamburguesas, filetes, chuletas, kebabs, piezas de pollo sin hueso, filetes de pescado, marisco y verduras en rodajas.

Con la cocción directa, el fuego se sitúa justo bajo el alimento (A). La superficie se marca, se desarrollan los sabores y texturas, y tiene lugar una deliciosa caramelización mientras el alimento se cocina hasta el centro.

El fuego directo genera calor radiante y calor conductivo. El calor radiante que desprende el carbón cocina rápidamente la cara del alimento más cercana a él. Entretanto, el fuego calienta las varillas de la rejilla de cocción, que transmiten el calor directamente a la superficie de los alimentos y crean esas inconfundibles marcas de parrilla.

Preparación de la barbacoa para fuego directo

1. Coloque el anillo de soporte central (B) en el centro de la cuba; coloque entonces la rejilla de combustible (C) en el anillo de soporte central.
2. Amontone el carbón en la rejilla de combustible, justo encima de la punta del tubo del quemador (D).
3. Encienda el carbón. Consulte la sección "ENCENDIDO DEL QUEMADOR: SISTEMA DE ENCENDIDO POR GAS SNAP-JET" en esta guía del propietario.

NOTA: La tapa, los reguladores y los orificios de ventilación deben permanecer abiertos durante el encendido del carbón.

4. Una vez que se haya encendido el carbón, use manoplas o guantes de barbacoa con nivel 2 o superior de resistencia al calor por contacto según la norma EN 407. Distribuya el carbón uniformemente por la rejilla para carbón (E) usando unas pinzas largas o un rastrillo para carbón. Asegúrese de que las piezas de carbón encendidas estén en contacto con las que todavía no se hayan encendido.

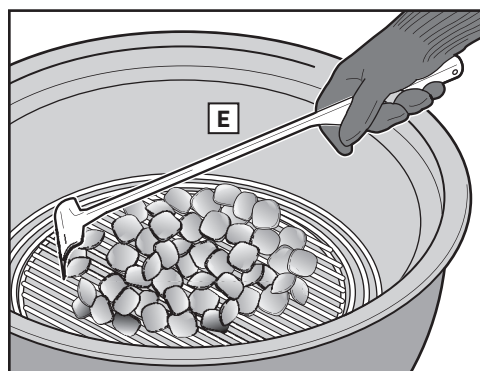
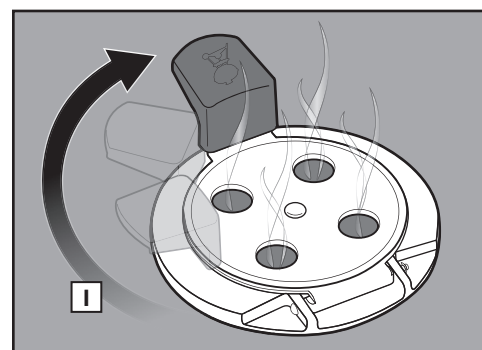
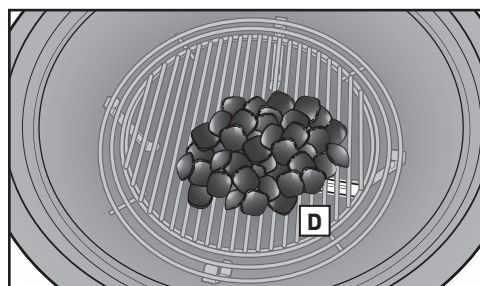
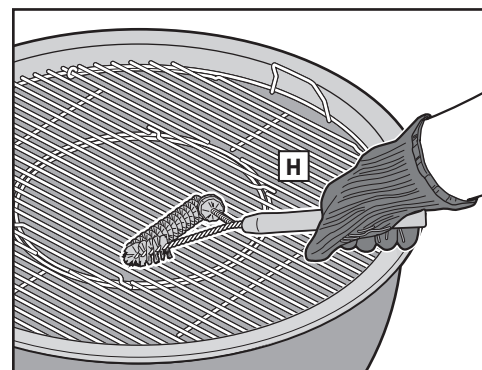
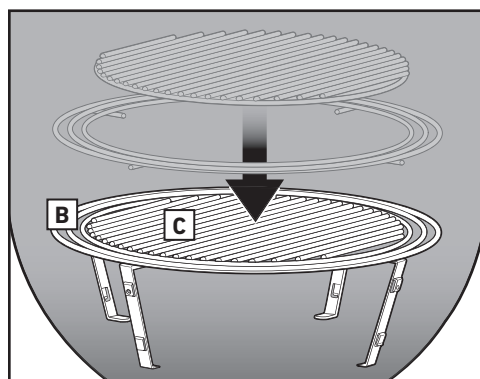
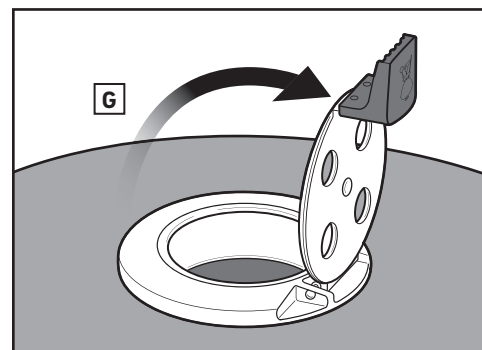
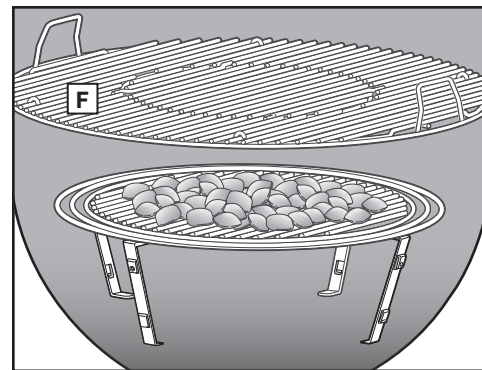
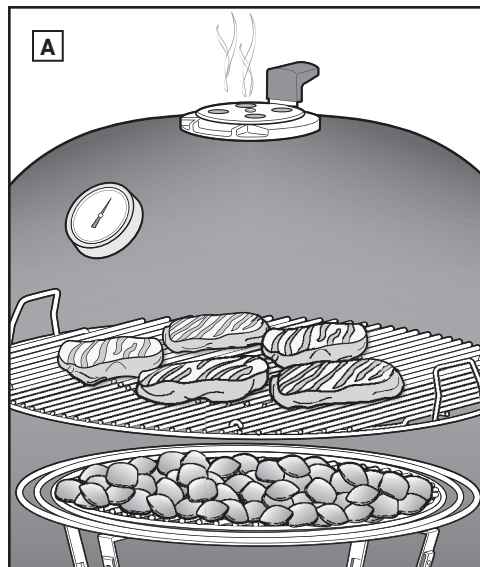
5. Coloque la rejilla de cocción en la posición superior de la cuba (F).
6. Cierre la tapa de la barbacoa y abra completamente el regulador RAPIDFIRE (G).

7. Precaliente la rejilla de cocción durante, aproximadamente, 5-10 minutos, o hasta que la barbacoa alcance la temperatura deseada.

8. Cuando la rejilla de cocción se haya precalentado, límpiela usando un cepillo para parrillas con cerdas de acero inoxidable o un rascador (H).

NOTA: Use un cepillo para parrillas con cerdas de acero inoxidable. Sustituya el cepillo si encuentra cerdas desprendidas en la rejilla de cocción o el propio cepillo.

9. Coloque los alimentos en la rejilla de cocción y cierre la tapa de la barbacoa. Gire el regulador RAPIDFIRE para aumentar o reducir el fuego en el interior de la barbacoa (I). Consulte los tiempos de cocción y temperaturas recomendados en la receta. Consulte el termómetro de la tapa para controlar la temperatura interna de la barbacoa.



Cuando haya terminado de cocinar

Cierre el regulador y los orificios de ventilación de la cuba para apagar el carbón.



COCCIÓN CON FUEGO INDIRECTO

Use el método indirecto para cocinar piezas de carne gruesas que requieran un tiempo de cocción superior a 20 minutos o alimentos tan delicados que la exposición directa al calor pudiera secalos o quemarlos (como asados, piezas de pollo con hueso, pescados enteros, filetes de pescado delicados, pollos o pavos enteros, o costillas). La cocción indirecta se puede usar también para acabar alimentos muy gruesos o cortes con hueso previamente marcados o dorados con la cocción directa.

Con la cocción indirecta, el fuego se sitúa en ambos lados de la barbacoa (A) o solo en uno de ellos. En este caso, el alimento debe colocarse en la parte de la rejilla de cocción en la que el carbón no lo calienta directamente.

El calor radiante y el calor conductivo siguen estando presentes, pero no con tanta intensidad. Sin embargo, cuando la tapa está cerrada (como debe ser), se genera además otro tipo de calor: calor por convección. La temperatura aumenta y el calor se refleja en la tapa y las superficies interiores de la barbacoa, circulando para cocinar el alimento lenta y uniformemente por todas partes.

El calor por convección no marca la superficie del alimento, como sucede en el caso del calor radiante y el calor conductivo. En su lugar, lo cocina más despacio y hasta el centro, como si se tratase de un horno.

Preparación de la barbacoa para cocción indirecta

1. Coloque el anillo de soporte central (B) en el centro de la cuba; coloque entonces la rejilla de combustible (C) en el anillo de soporte central.
2. Vierta carbón en las CHAR-BASKETS y colóquelas en la rejilla de combustible, justo encima de la punta del tubo del quemador (D). Sitúe las CHAR-BASKETS en paralelo con el tubo del quemador.
3. Encienda el carbón. Consulte la sección "ENCENDIDO DEL QUEMADOR: SISTEMA DE ENCENDIDO POR GAS SNAP-JET" en esta guía del propietario.

NOTA: La tapa, los reguladores y los orificios de ventilación deben permanecer abiertos durante el encendido del carbón.

4. Una vez que se haya encendido el carbón, use manoplas o guantes de barbacoa con nivel 2 o superior de resistencia al calor por contacto según la norma EN 407. Con unas pinzas largas, coloque las CHAR-BASKETS de forma que se sitúen a ambos lados de la comida (E).

NOTA: Se recomienda colocar una bandeja de goteo desechable entre las CHAR-BASKETS para recoger los jugos y simplificar la limpieza posterior.

NOTA: Esta barbacoa también posee espacio de cocción suficiente como para cocinar directa e indirectamente a la vez. Situando ambas CHAR-BASKETS a un lado de la barbacoa, es posible cocinar directamente sobre ellas y usar el otro lado de la rejilla de cocción para hacerlo indirectamente.

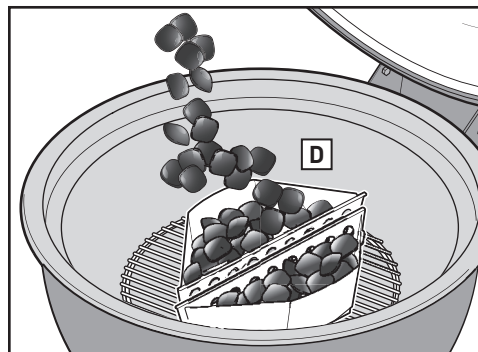
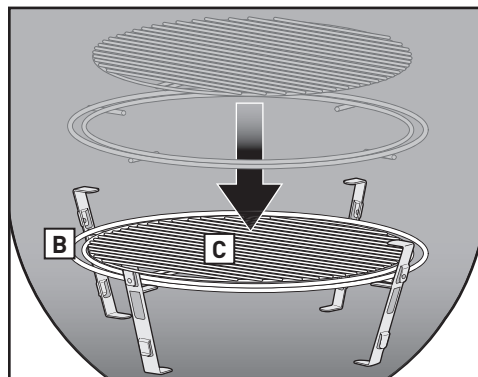
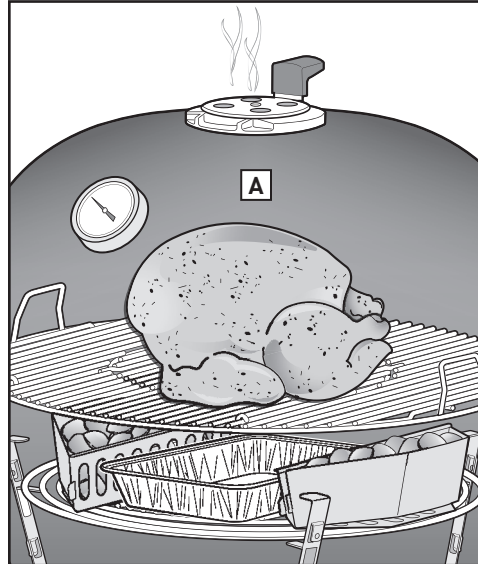
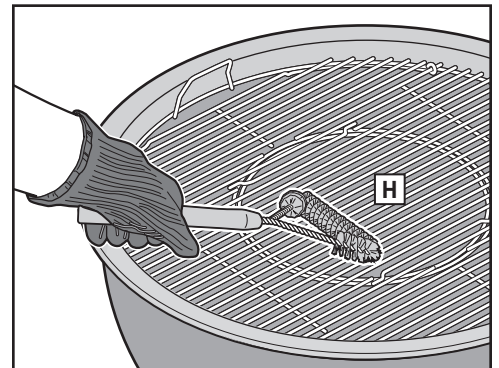
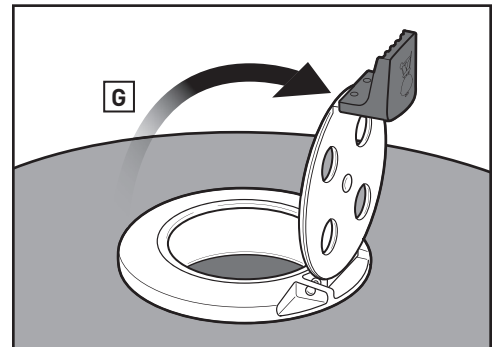
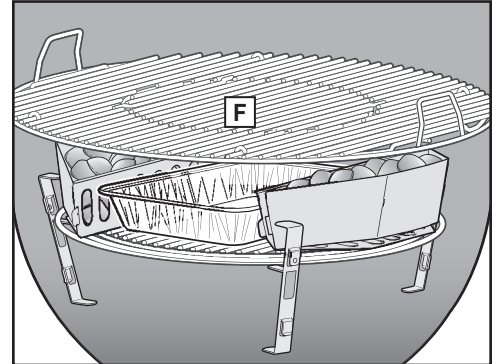
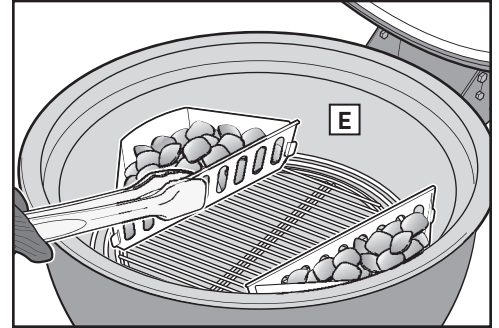
5. Coloque la rejilla de cocción en la posición superior de la cuba (F).
6. Cierre la tapa de la barbacoa y abra completamente el regulador RAPIDFIRE (G).
7. Precaliente la rejilla de cocción durante, aproximadamente, 5-10 minutos, o hasta que la barbacoa alcance la temperatura deseada.
8. Cuando la rejilla de cocción se haya precalentado, límpiela usando un cepillo para parrillas con cerdas de acero inoxidable o un rascador (H).

NOTA: Si usa un cepillo para parrillas con cerdas de acero inoxidable y encuentra cerdas desprendidas en la rejilla de cocción o el propio cepillo, sustitúyalo.

9. Coloque los alimentos en la rejilla de cocción entre las CHAR-BASKETS y cierre la tapa de la barbacoa. Gire el regulador RAPIDFIRE para aumentar o reducir el fuego en el interior de la barbacoa (I). Consulte los tiempos de cocción y temperaturas recomendados en la receta. Consulte el termómetro de la tapa para controlar la temperatura interna de la barbacoa.

Cuando haya terminado de cocinar

Cierre el regulador y los orificios de ventilación de la cuba para apagar el carbón.





MÉTODOS DE ASADO: AHUMADO

AHUMADO

Ahumar consiste en cocinar alimentos a baja temperatura durante períodos prolongados de tiempo empleando tacos o astillas de madera natural (A). Esta técnica se conoce también como "método low'n'slow". Al cocinar low'n'slow, los jugos y sabores se mantienen dentro de los alimentos, dando lugar a piezas de carne extremadamente tiernas. El ahumado funciona estupendamente con cortes grandes de carne, como falda, pavos enteros, paleta de cerdo, costillas y pollos enteros.

NOTA: Cocinar en climas fríos o a gran altura prolonga los tiempos de cocción. Las condiciones climáticas de viento aumentarán la temperatura de la barbacoa.

Preparación de la barbacoa para ahumar

1. Coloque la rejilla para carbón (B) en el fondo de la cuba; coloque entonces el anillo de soporte central en el centro de la cuba (C).

NOTA: 35-45 briquetas proporcionarán 8-10 horas de cocción. Para los alimentos que requieren más tiempo de cocción, se necesitará más carbón. Consulte la tabla "Carbón necesario según tiempos de ahumado y cocción" para obtener más información.

2. Amontone el carbón en la rejilla de combustible, justo encima de la punta del tubo del quemador (D).
3. Encienda el carbón. Consulte la sección "ENCENDIDO DEL QUEMADOR: SISTEMA DE ENCENDIDO POR GAS SNAP-JET" en esta guía del propietario.

NOTA: La tapa, los reguladores y los orificios de ventilación deben permanecer abiertos durante el encendido del carbón.

4. Una vez que se haya encendido el carbón, use manoplas o guantes de barbacoa con nivel 2 o superior de resistencia al calor por contacto según la norma EN 407. Usando unas pinzas largas, agregue tacos o astillas de madera WEBER alrededor del carbón encendido (E).

5. Inserte la placa difusora en el anillo de soporte central (F).

NOTA: Se recomienda colocar una bandeja de goteo desechable sobre la placa difusora para recoger los jugos y simplificar la limpieza posterior. Coloque dos bandejas de goteo si va a ahumar grandes piezas de carne.

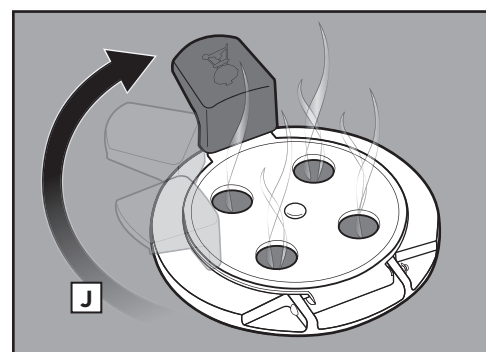
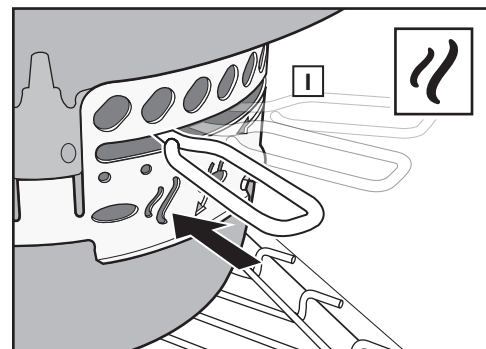
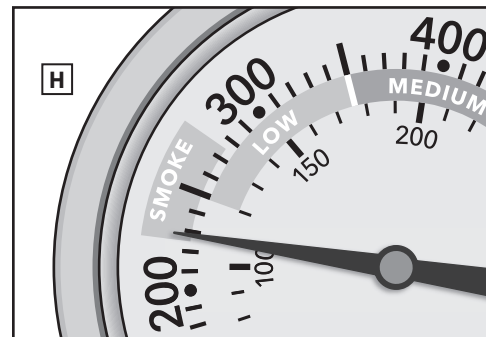
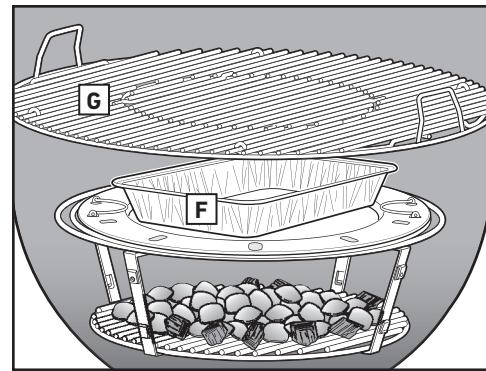
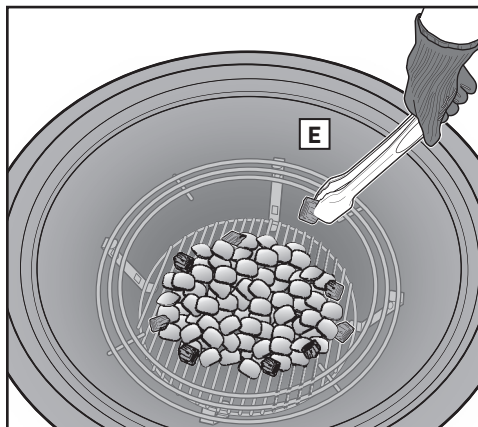
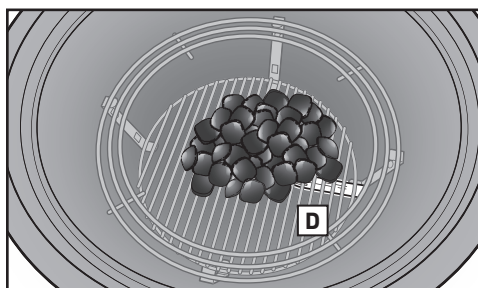
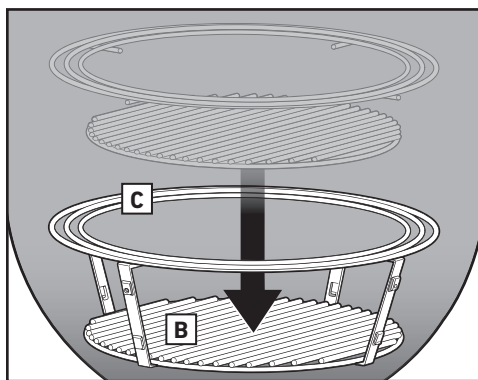
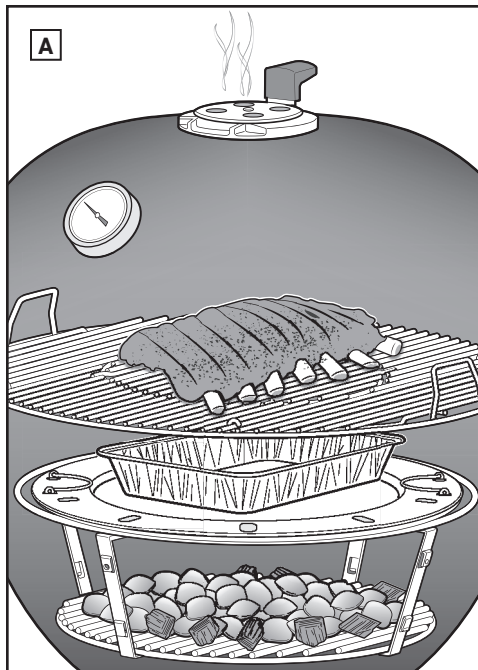
6. Coloque la rejilla de cocción en la posición superior de la cuba (G).
7. Cierre la tapa de la barbacoa.
8. Cuando la barbacoa alcance la zona "SMOKE" en el termómetro (H), coloque la palanca de ventilación de la cuba en la posición de ahumado (I) y gire el regulador RAPIDFIRE (J) según corresponda para mantener la temperatura de ahumado recomendada.
9. Abra la tapa de la barbacoa y limpie la rejilla de cocción usando un cepillo para parrillas con cerdas de acero inoxidable o un rascador.

NOTA: Si usa un cepillo para parrillas con cerdas de acero inoxidable y encuentra cerdas desprendidas en la rejilla de cocción o el propio cepillo, sustitúyalo.

10. Coloque el alimento en el centro de la rejilla de cocción. Consulte los tiempos de cocción recomendados en la receta.

Cuando haya terminado de cocinar

Cierre el regulador y los orificios de ventilación de la cuba para apagar el carbón.





Carbón necesario según tiempos de ahumado y cocción

	Peso	Tiempo de cocción	Briquetas de carbón	Trozos de madera
PESCADOS	0.45-1.36 kg	1-2.5 horas	60-80 briquetas (1.75 cubetas)	2-4
	1.36-2.7 kg	2.5-4 horas	60-80 briquetas (1.75 cubetas)	2-4
AVES	0.9-1.36 kg	2-3.5 horas	60-80 briquetas (1.75 cubetas)	1-3
	1.81-3.62 kg	3.5-4 horas	80-100 briquetas (2.25 cubetas)	2-4
	3.62-5.44 kg	4-5 horas	80-100 briquetas (2.25 cubetas)	3-4
	5.44-8.1 kg	8-10 horas	100-120 briquetas (2.75 cubetas)	3-5
CERDO	1.81-3.62 kg	5-8 horas	80-100 briquetas (2.25 cubetas)	3-4
	3.62-5.44 kg	8-12 horas	100-120 briquetas (2.75 cubetas)	3-5
RES	1.81-3.62 kg	7-12 horas	80-120 briquetas (2.5 cubetas)	3-5
	3.62-5.44 kg	12-18 horas	120-140 briquetas (3.25 cubetas)	3-5

Los tiempos de cocción para ternera se basan en la definición de cocción al punto de la USDA. Los tiempos de cocción indicados son válidos para alimentos completamente descongelados. Los pesos, las cantidades de carbón y los tiempos de cocción tienen por objeto servir como guías más que como reglas absolutas. Factores como la altitud, el viento y la temperatura exterior pueden influir en los tiempos de cocción.

⚠ADVERTENCIA: Nunca use carbón impregnado con líquido de encendido para carbón.

TRUCOS Y CONSEJOS PARA COCINAR A LA PARRILLA CON ÉXITO

Elección de un lugar apropiado para asar

- Este asador solo se debe usar al aire libre, en áreas bien ventiladas. Se prohíbe el uso en cocheras, edificios, pasillos cubiertos u otras áreas cerradas.
- Mantenga el asador en todo momento sobre una superficie firme y nivelada.
- No use el asador a menos de 61 cm de cualquier material combustible. Se consideran materiales combustibles, entre otros, las plataformas, patios y porches de madera o madera tratada.

Pre calentamiento del asador

El pre calentamiento del asador es un factor clave al cocinar con fuego directo o fuego indirecto, pero no debe llevarse a cabo antes de ahumar. Con el carbón al rojo vivo, la temperatura debajo de la tapa debe alcanzar 260 °C en 7-10 minutos. El calor desprende los restos de alimentos adheridos a la parrilla, lo que facilita su eliminación con un cepillo para parrillas con cerdas de acero inoxidable. El pre calentamiento contribuye también a calentar la parrilla de cocción lo suficiente como para marcar correctamente los alimentos e impide que estos se peguen a ella.

Uso de guantes

Siempre use unos guantes para asar al utilizar su asador de carbón. Las ventilas, los reguladores, las manijas y el cuerpo del asador se calentarán durante el proceso de asado, por lo que debe asegurarse de mantener protegidos sus antebrazos y manos.

Si no queda combustible para encender, no hay problema

Si el tanque de combustible está vacío o se está agotando, puede encender el asador manualmente, como si se tratara de cualquier otro asador de carbón. WEBER recomienda el uso de un encendedor de carbón (a la venta por separado) y cubos de encendido (a la venta por separado) para encender manualmente el carbón. Absténgase de usar líquidos de encendido: son difíciles de controlar y transfieren un desagradable sabor a químico a los alimentos.

Mejor engrasar los alimentos que la parrilla

Engrase ligeramente los alimentos para que queden más sabrosos y jugosos, evitando al mismo tiempo que se peguen a la parrilla. No se recomienda engrasar la parrilla, ya que ello podría dar lugar a llamaradas innecesarias.

Con la tapa puesta

Mantenga la tapa cerrada el máximo tiempo posible por las siguientes razones:

1. Mantiene la parrilla lo suficientemente caliente como para sellar los alimentos al cocinar directamente.
2. El sabor ahumado que se produce cuando la grasa y los jugos se vaporizan en la parrilla se queda adentro del asador.
3. Limitar el oxígeno previene las llamaradas.

Plato difusor: qué hacer y qué no

Al ahumar, la placa difusora contribuye a mantener baja y constante la temperatura, haciendo circular el calor y el humo alrededor de los alimentos. No obstante, la placa difusora es útil también al cocinar indirectamente para maximizar el espacio de cocción. No coloque alimentos ni combustible directamente sobre la placa difusora.

Tipos de madera para ahumar

Tipo de madera	Características	Combina con
Manzano	SUTIL Ligeramente dulce, con un denso y afrutado sabor a humo.	Pescado Aves Cerdo (especialmente, jamón) Verduras
Cerezo	SUTIL Ligeramente dulce, con un afrutado sabor a humo.	Pescado Aves Cerdo Verduras
Nogal	RICO Penetrante y ahumado, con notas de tocino.	Pollo Cerdo Ternera
Haya	SUTIL Delicado, con un dulce sabor ahumado.	Pescado Pollo Cerdo Cordero Verduras
Pecanero	RICO Penetrante y con un sabor meloso. Ideal para ahumar a muy baja temperatura.	Pescado Pollo Cerdo Cordero Ternera
Mezquite	PRONUNCIADO Intenso sabor a humo muy perceptible, con final al borde de lo amargo.	Cerdo Cordero Ternera

Las llamas, a raya

Las llamaradas son inevitables e incluso beneficiosas, pues sellan la superficie de los alimentos. No obstante, un exceso de llamaradas puede llegar a quemarlos. Mantener la tapa cerrada el mayor tiempo posible limita el volumen de oxígeno en el interior del asador, lo cual contribuye a extinguir las posibles llamaradas. Si las llamas se descontrolan, pase los alimentos temporalmente a la zona de fuego indirecto hasta que se extingan.

Atención al tiempo y la temperatura

Cocinar a la parrilla en climas fríos o a mayor altitud prolongará el tiempo de cocción. El viento fuerte eleva la temperatura del asador.

Limpieza en todo momento

Siga las instrucciones básicas de mantenimiento periódico para que su asador luzca y cocine de maravilla durante muchos años. Asegúrese de desechar las cenizas y el carbón antiguo acumulados en el fondo del cuerpo y el cenicero antes de cada uso.

Ahumado con madera

Se aconseja experimentar con distintos tipos de madera al ahumar para encontrar el equilibrio perfecto entre dulce y sazonado. Para ahumar durante períodos largos, es mejor usar trozos de madera en lugar de astillas. Los trozos desprenden humo durante más tiempo y este penetra lentamente en los alimentos durante la cocción. Las astillas de madera funcionan mejor al cocinar durante períodos cortos porque no duran tanto como para ahumar durante mucho tiempo.



LIMPIEZA DEL INTERIOR DEL ASADOR

Limpiar el interior del asador antes de cada uso es fundamental para mantener su funcionamiento óptimo durante muchos años.

⚠ ADVERTENCIA: Apague el asador y espere a que se enfríe antes de realizar una limpieza integral.

Limpieza de la tapa

De vez en cuando, es probable que descubra lo que parecen ser "hojuelas de pintura" por dentro de la tapa. Durante el uso, la grasa y los vapores se convierten poco a poco en carbón y se acumulan en el interior de la tapa del asador. Tales depósitos acaban desprendiéndose y adquieren un aspecto muy similar al de la pintura. Aunque no son tóxicas, las hojuelas pueden caer sobre los alimentos si no limpia la tapa periódicamente.

Necesitará: una fibra de nailon no abrasiva y papel absorbente.

1. Frote la grasa carbonizada del interior de la tapa del asador con la fibra (A). Para minimizar la acumulación de grasa en el futuro, limpie el interior de la tapa con papel absorbente después de cada uso; hágalo con el asador templado (no caliente) al tacto.

Limpieza de las parrillas y la placa difusora

Si limpia sistemáticamente las parrillas de cocción después de precalentar, la acumulación de residuos en ellas será mínima. Trate también de minimizar la acumulación de suciedad y residuos en el plato difusor entre comidas. El uso de una bandeja para escurrimientos desechable contribuirá a aligerar la limpieza.

Necesitará: un cepillo para parrillas con cerdas de acero inoxidable.

1. Con las parrillas de cocción instaladas, limpie los residuos adheridos a las mismas con un cepillo para parrillas con cerdas de acero inoxidable (B).

⚠ PRECAUCIÓN: Revise periódicamente si sus cepillos para parrillas presentan cerdas sueltas o desgaste excesivo. Sustitúyalos si encuentra cerdas desprendidas en las parrillas de cocción o en los cepillos. WEBER recomienda adquirir nuevos cepillos para parrillas con cerdas de acero inoxidable al principio de cada primavera.

2. Retire las parrillas de cocción.
3. Con el plato difusor instalado, limpie los residuos adheridos con un cepillo para parrillas con cerdas de acero inoxidable.
4. Retire el plato difusor.
5. Con la parrilla de combustible instalada, limpie los residuos adheridos con un cepillo para parrillas con cerdas de acero inoxidable.

Limpieza rápida del tubo del quemador

El tubo del quemador debe revisarse periódicamente en busca de obstrucciones y limpiarse con rapidez. Encontrará instrucciones para llevar a cabo una limpieza más profunda en la sección MANTENIMIENTO ANUAL.

Necesitará: un limpiapipas y un cepillo para parrillas con cerdas de acero inoxidable limpio. No use un cepillo que haya usado previamente para limpiar las parrillas de cocción.

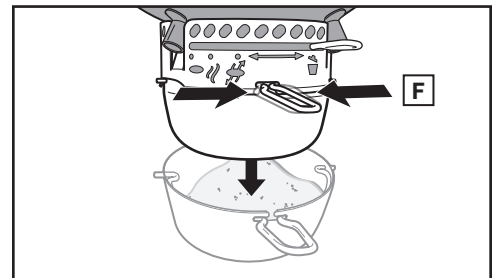
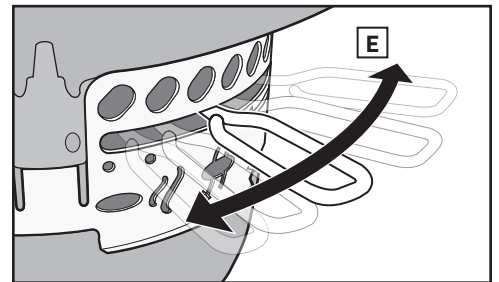
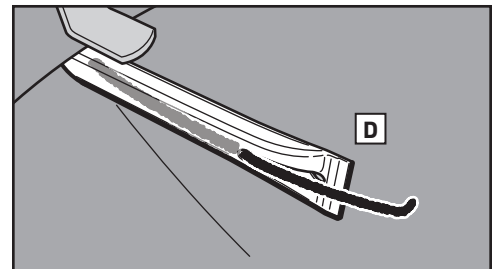
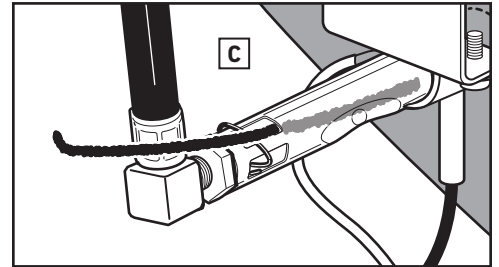
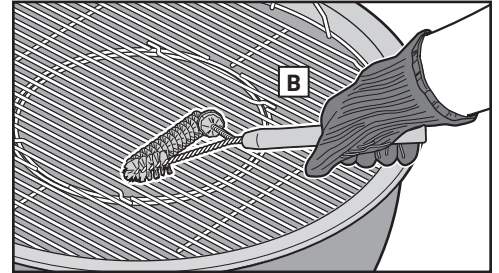
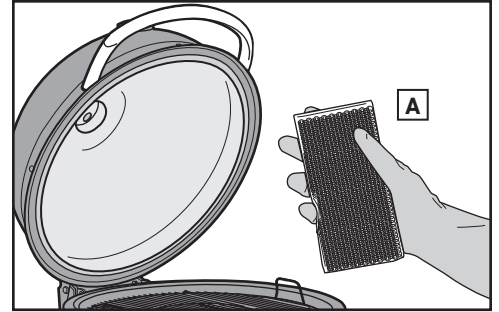
1. Inserte el limpiapipas a través del extremo del tubo del quemador (C). Evite dañar el electrodo del módulo de encendido.
2. Inserte el limpiapipas a través de las ranuras del quemador (D).

3. Cepille el tubo del quemador por fuera con un cepillo con cerdas de acero inoxidable.

Limpieza del cuerpo

Para que el aire circule adecuadamente y los alimentos se asen mejor, retire las cenizas y el carbón viejo acumulados en el fondo del asador y en el cenicero antes de cada uso.

1. Abra la tapa y extraiga las parrillas de cocción, la parrilla de combustible y el plato difusor.
2. Deseche las cenizas y los terrones de carbón antiguo del fondo del cuerpo. El carbón requiere oxígeno para arder, así que asegúrese de que nada obstruya las ventilas. Mueva la palanca del sistema de limpieza ONE-TOUCH hacia atrás y hacia delante para pasar las cenizas del fondo del asador al cenicero (E).
3. Sujete el mango del cenicero para sacarlo del asador (F).

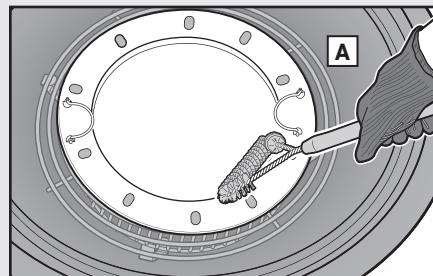


Método alternativo para limpiar la placa difusora

Elimine la suciedad más resistente acumulada mientras la placa todavía está caliente.

Necesitará: un cepillo para parrillas con cerdas de acero inoxidable.

1. Durante el precalentamiento de la barbacoa, a una temperatura de 176 °C o menos, cepille los residuos de la placa difusora empleando un cepillo para parrillas con cerdas de acero inoxidable (A).





LIMPIEZA EXTERIOR DEL ASADOR

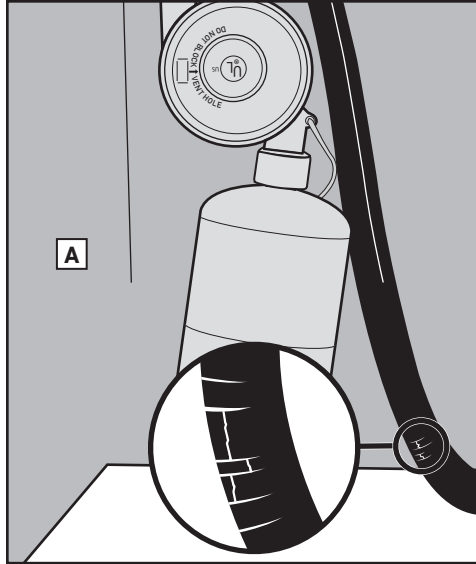
Por afuera, el asador puede incluir superficies de acero inoxidable, porcelanizadas y de plástico. WEBER recomienda los siguientes métodos en función del tipo de superficie. Asegúrese de que todo el carbón esté completamente apagado y de que el asador esté frío antes de llevar a cabo esta acción.

Superficies de acero inoxidable

Limpie el acero inoxidable empleando un producto de limpieza o un abrillantador de acero inoxidable no tóxico ni abrasivo, diseñado para productos de uso al aire libre y asadores. No se arriesgue a arañar el acero inoxidable empleando pastas abrasivas que no limpian ni pulen, y solo cambian el color del metal eliminando el revestimiento superficial de óxido de cromo. No use papel absorbente.

Necesitará: una franela de microfibra y un producto de limpieza para acero inoxidable.

1. Rocíe el producto de limpieza sobre las superficies de acero inoxidable del asador. Use la franela de microfibra para limpiar en la dirección de las vetas del acero inoxidable.



Componentes pintados, porcelanizados y de plástico

Limpie los componentes pintados, porcelanizados y de plástico localizados fuera del asador con una solución de agua templada y jabón.

Necesitará: una solución de agua templada y jabón, y papel absorbente o una franela.

1. Limpie las superficies con la solución de agua templada y jabón. Enjuáguelas y séquelas bien.

⚠ IMPORTANTE: No use nada de lo siguiente para limpiar el asador: abrillantadores de acero inoxidable abrasivos, pinturas, productos de limpieza que contengan ácido, alcoholes minerales, xileno, productos de limpieza de hornos, limpiadores abrasivos (limpiadores de cocina) o esponjas de limpieza abrasivas.

LIMPIEZA EXTERIOR DE ASADORES INSTALADOS EN ENTORNOS POCO FRECUENTES

Si el asador se encuentra instalado en un entorno particularmente extremo, es probable que quiera limpiarlo por fuera con más frecuencia. La lluvia ácida, los productos químicos para albercas y el agua salada pueden causar corrosión superficial. Limpie el exterior del asador con agua tibia mezclada con jabón. Para concluir la limpieza, enjuague el asador y séquelo bien. Asimismo, puede aplicar semanalmente algún producto de limpieza de acero inoxidable para evitar la corrosión superficial.

INSPECCIÓN DE LA MANGUERA

1. Inspeccione visualmente la manguera para comprobar que no presente señales de agrietamiento (A).

⚠ ADVERTENCIA: Cada vez que vaya a usar el asador, revise primero que la manguera no presente muescas, grietas, abrasiones ni cortes. No use el asador si la manguera sufre algún tipo de daño. Sustitúyala solo por una manguera de repuesto autorizada por WEBER. Póngase en contacto con el representante de atención al cliente de su zona mediante la información de contacto disponible en nuestro sitio web. Visite www.weber.com☼



MANTENIMIENTO

Para que la barbacoa siga funcionando de forma tan segura y eficiente como el primer día, se recomienda encarecidamente inspeccionar y limpiar el tubo del quemador, al menos, una vez al año. Con el tiempo, puede que el tubo del quemador (A) se ensucie y obstruya. Las arañas e insectos pueden anidar en la sección de Venturi (B) del tubo del quemador, forzando el retroceso del gas y provocando su salida por las aberturas de aire (C). Asimismo, cuando están sucias o bloqueadas, las ranuras del quemador (D) pueden impedir el paso libre del gas. Dichas obstrucciones pueden causar la aparición de llamas en el tubo del quemador y alrededor del mismo (bajo el módulo de encendido o a su alrededor), provocando graves daños a la barbacoa.

Los síntomas más comunes de la obstrucción o la presencia de suciedad en los tubos son:

- Olor a gas y llamas de aspecto muy amarillento y débil en el quemador.
- Pequeñas explosiones audibles procedentes del quemador.

⚠ PELIGRO

No corregir los problemas descritos en esta página puede dar lugar a incendios resultantes en lesiones personales graves o muertes, así como daños materiales.

ASPECTO DE LA LLAMA DEL QUEMADOR

El tubo del quemador de la barbacoa está diseñado para proporcionar la mezcla correcta de aire y gas. Cuando el tubo del quemador funciona correctamente, la llama presenta un aspecto específico. Deben producirse destellos amarillos (E) en la punta de la llama, cuyo cuerpo debe ser de color azul oscuro en el centro (F) y azul claro junto al tubo del quemador (G). Si la llama no se asemeja al patrón descrito anteriormente o se escuchan "pequeñas explosiones", puede que sea necesario limpiar el quemador.

LIMPIEZA DEL TUBO DEL QUEMADOR EN PROFUNDIDAD

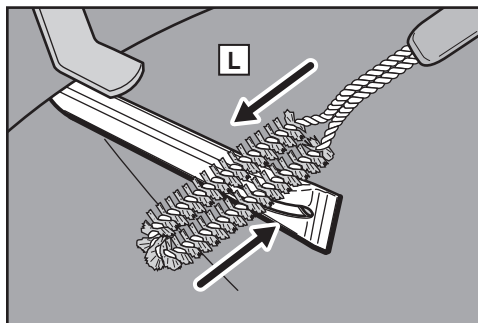
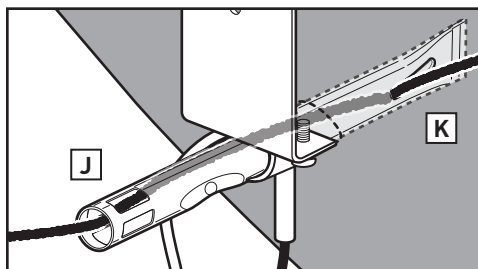
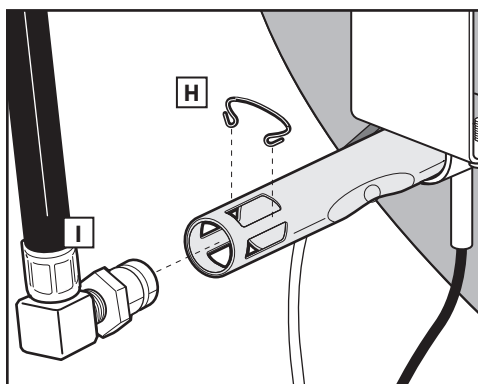
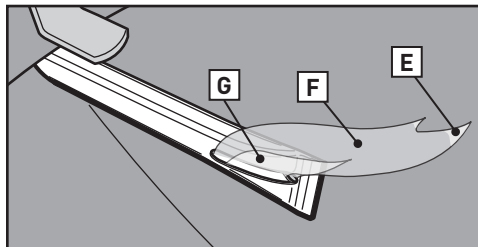
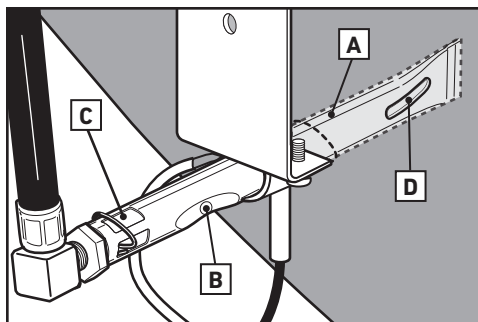
Necesitará: una linterna, un pequeño cepillo para tuberías y un cepillo con cerdas de acero inoxidable limpio. No use un cepillo que ya se haya usado para limpiar las rejillas de cocción.

1. Compruebe que la barbacoa esté apagada y fría.
2. Retire la abrazadera (H) y el adaptador para manguera (I) del tubo del quemador.
3. Observe el interior del tubo del quemador con ayuda de una linterna e inserte el cepillo para tuberías a través del extremo del tubo del quemador (J). Preste atención al electrodo de encendido para no dañarlo.
4. Inserte el cepillo para tuberías a través de las ranuras del quemador (K).
5. Cepille por fuera el tubo del quemador usando un cepillo con cerdas de acero inoxidable (L).
6. Instale de nuevo el adaptador para manguera y la abrazadera en el tubo del quemador.

⚠ **ADVERTENCIA:** Antes del uso, tire del adaptador para manguera para asegurarse de que la abrazadera esté bien instalada y que el adaptador para manguera esté conectado correctamente al tubo del quemador.

LLAME AL SERVICIO DE ATENCIÓN AL CLIENTE

Si sigue experimentando problemas después de limpiar el tubo del quemador, póngase en contacto con el representante del Servicio de Atención al Cliente de su zona usando la información de contacto disponible en www.weber.com.



FUNCIONAMIENTO DEL SISTEMA DE ENCENDIDO POR GAS SNAP-JET

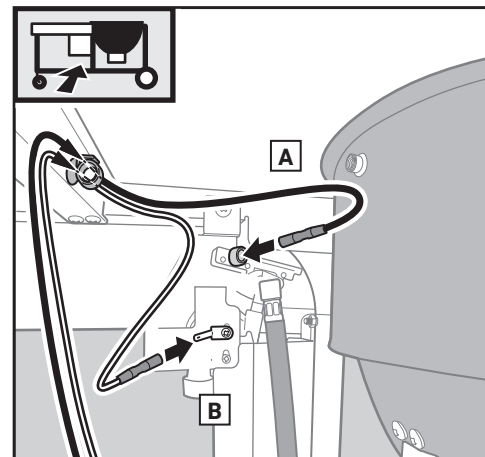
El mando de control del quemador cuenta con un encendedor integrado. Dicho encendedor genera una chispa mediante el electrodo de encendido. Antes de llevar a cabo una operación de mantenimiento periódico o comprobar si el sistema de encendido por gas SNAP-JET presenta algún problema, lea la información descrita a continuación para garantizar su correcto funcionamiento.

⚠ **ADVERTENCIA:** El mando de control del quemador debe permanecer en la posición de cierre.

Si la barbacoa no se enciende al presionar el mando de control del quemador y girarlo lentamente, deberá determinar el punto en el que tiene su origen el problema: el caudal de gas o el sistema de encendido. Comience tratando de encender el quemador con una cerilla. Consulte la sección "ENCENDIDO DEL QUEMADOR: encendido con una cerilla". Si es posible encender el quemador con una cerilla, el problema tendrá su origen en el sistema de encendido por gas SNAP-JET.

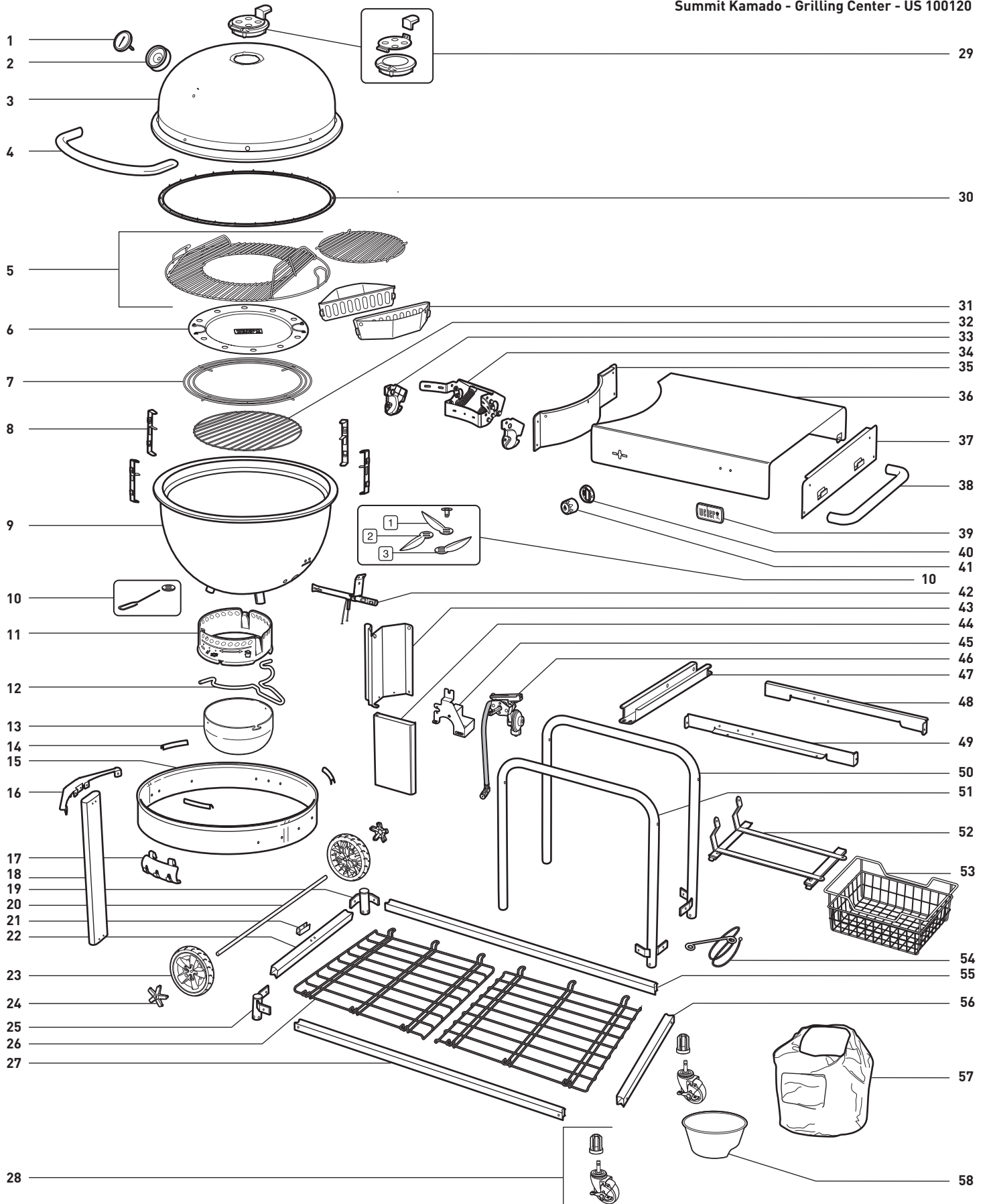
MANTENIMIENTO DE LOS COMPONENTES DEL SISTEMA DE ENCENDIDO

1. Compruebe que la barbacoa esté apagada y fría.
2. Compruebe que el cable negro esté conectado al terminal rojo de la válvula (A).
3. Compruebe que el cable blanco esté conectado al terminal de tierra del tornillo (B).





Summit Kamado - Grilling Center - US 100120



RESOLUCIÓN DE PROBLEMAS GENERALES

Problemas	Soluciones
<p>El quemador no se enciende al presionar y girar su mando de control.</p>	<p>Asegúrese de que fluya gas hacia el quemador intentando encenderlo con una cerilla. Consulte la sección "ENCENDIDO DEL QUEMADOR: encendido con una cerilla". Si es posible encender el quemador con una cerilla, el problema tendrá su origen en el sistema de encendido. Consulte "FUNCIONAMIENTO DEL SISTEMA DE ENCENDIDO POR GAS SNAP-JET" en la sección "MANTENIMIENTO".</p> <p>Asegúrese de que los cables estén bien insertados en los terminales. Compruebe que el cable negro esté conectado al terminal rojo de la válvula. Compruebe que el cable blanco esté conectado al terminal de tierra del tornillo. Consulte "MANTENIMIENTO DE LOS COMPONENTES DEL SISTEMA DE ENCENDIDO" en la sección "MANTENIMIENTO".</p>
<p>El quemador no se enciende o la llama es débil.</p>	<p>Puede que quede poco combustible GLP, o este se haya agotado. Sustituya el cartucho de GLP. Consulte la sección "DESCONEXIÓN DEL CARTUCHO".</p>
<p>Las llamas del quemador forman un patrón errático.</p> <p>El quemador arde con una llama amarillenta o anaranjada y huele a gas.</p>	<p>Compruebe si el tubo del quemador sufre alguna obstrucción. Consulte la sección "MANTENIMIENTO".</p>
<p>El interior de la tapa parece estar pelándose (el fenómeno se asemeja al desprendimiento de pintura).</p>	<p>El interior de la tapa es de aluminio. No está pintado, por lo que no puede pelarse. Lo que ve es la grasa evaporada de los alimentos, que se ha carbonizado y se está agrietando. ESTO NO CONSTITUYE UN DEFECTO. Limpie a fondo la tapa. Consulte "LIMPIEZA INTERIOR DE LA BARBACOA" en la sección "MANTENIMIENTO".</p>

Si el problema no se puede corregir aplicando los métodos descritos, póngase en contacto con el representante del Servicio de Atención al Cliente de su zona usando la información de contacto disponible en nuestro sitio web. Visite www.weber.com.



Weber-Stephen Products LLC
www.weber.com



Summit Kamado S6

GUÍA DEL PROPIETARIO

ENREGISTREZ VOTRE BARBECUE

Merci d'avoir acheté un barbecue WEBER. Prenez quelques minutes pour protéger votre investissement en enregistrant votre barbecue en ligne sur www.weber.com. Faites référence au numéro de série figurant sur la couverture de ce manuel de l'utilisateur.



⚠ DANGER

En cas d'odeur de gaz :

- Éteignez le gaz sur l'appareil.
- Éteignez toute flamme nue.
- Ouvrez le couvercle.
- Si l'odeur persiste, écartez-vous de l'appareil et appelez immédiatement votre fournisseur de gaz ou les pompiers.

Une fuite de gaz peut entraîner un incendie ou une explosion et causer des blessures physiques graves voire la mort, ainsi que des dégâts matériels.

⚠ DANGER

- Ne laissez jamais l'appareil sans surveillance lorsqu'il fonctionne.
- N'utilisez pas le barbecue à moins de 610 mm (2 pieds) de tout matériau combustible. En font partie notamment le bois ou les terrasses et porches en bois traité.
- N'utilisez jamais cet appareil à moins de 7,5 m (25 pieds) de tout liquide inflammable.
- En cas d'incendie, écartez-vous de l'appareil et appelez immédiatement les pompiers. N'essayez pas d'éteindre un feu d'huile ou de graisse avec de l'eau.

Le non-respect de ces instructions pourrait engendrer un incendie, une explosion ou des brûlures et causer des dégâts matériels, des blessures physiques voire la mort.

⚠ AVERTISSEMENT : Avant d'utiliser le barbecue, suivez attentivement toutes les procédures de vérification d'étanchéité reprises dans le présent Mode d'emploi. Et ce, même si l'appareil a été monté par le revendeur.

⚠ AVERTISSEMENT : N'allumez pas cet appareil avant d'avoir lu les sections « ALLUMAGE DU BRÛLEUR » du présent Mode d'emploi.

CET APPAREIL À GAZ EST CONÇU POUR UN USAGE EXTÉRIEUR UNIQUEMENT.

Ce Mode d'emploi présente des informations importantes nécessaires pour un montage adéquat et une utilisation sûre de l'appareil.

Lisez et suivez tous les avertissements et toutes les instructions avant d'assembler et d'utiliser l'appareil.





Le non-respect des indications DANGER, AVERTISSEMENT et ATTENTION fournies dans ce manuel de l'utilisateur peut entraîner des blessures corporelles graves voire la mort, ou peut causer un incendie ou une explosion entraînant des dégâts matériels.

DANGER :

Indique une situation dangereuse qui, si elle n'est pas évitée, entraînera la mort ou des blessures graves.

- ⚠ Utilisez le barbecue à l'extérieur seulement, dans un endroit bien aéré. Ne l'utilisez pas dans un garage, un immeuble, un passage recouvert, une tente ni tout autre endroit couvert, ou sous une structure combustible.
- ⚠ Le barbecue n'est pas destiné à servir de chauffage et ne doit jamais être utilisé en tant que tel.
- ⚠ Assurez-vous de l'absence de vapeurs et de liquides inflammables (essence, alcool, etc.) ainsi que de matériaux combustibles à proximité de la zone de cuisson.
- ⚠ Ouvrez toujours le couvercle avant d'allumer le brûleur à gaz, soit que vous l'allumiez manuellement, soit avec le système d'allumage. Le couvercle doit rester ouvert jusqu'à ce que le charbon soit complètement allumé.
- ⚠ En cas de feu de friture, arrêtez tous les brûleurs et laissez le couvercle fermé jusqu'à ce que le feu soit éteint.
- ⚠ Le barbecue ne doit jamais être utilisé par des enfants. Certaines parties accessibles peuvent devenir très chaudes. Maintenez les enfants et les animaux de compagnie à bonne distance pendant l'utilisation du barbecue.
- ⚠ Ne tentez pas de débrancher la bouteille de gaz pendant que le barbecue fonctionne.
- ⚠ Si le brûleur s'éteint pendant que le barbecue fonctionne, fermez le robinet de gaz. Ouvrez le couvercle et attendez cinq minutes avant de tenter de rallumer.
- ⚠ N'utilisez pas le barbecue si vous avez détecté une fuite de gaz.
- ⚠ N'utilisez pas de flamme pour vérifier les fuites de gaz.
- ⚠ Ne placez pas de housse ni d'objets inflammables sur le barbecue ou dans l'espace de rangement sous le barbecue lorsque ce dernier fonctionne ou est chaud.
- ⚠ Si vous voyez du gaz s'échapper de la bouteille de propane liquide, sentez une odeur de gaz ou encore entendez un sifflement :
 1. Éloignez-vous de la bouteille de propane liquide.
 2. N'essayez pas de corriger le problème vous-même.
 3. Communiquez avec votre service d'incendie.
- ⚠ Le propane liquide n'est pas du gaz naturel. Toute tentative de conversion ou d'utilisation du gaz naturel dans un appareil au propane liquide ou vice versa est dangereux et entraîne l'annulation de la garantie.
- ⚠ N'agrandissez pas les orifices du brûleur lors du nettoyage du brûleur.

⚠ N'entreposez pas de bouteille de propane liquide supplémentaire (de recharge) ou déconnectée sous le barbecue ou à proximité de ce dernier.

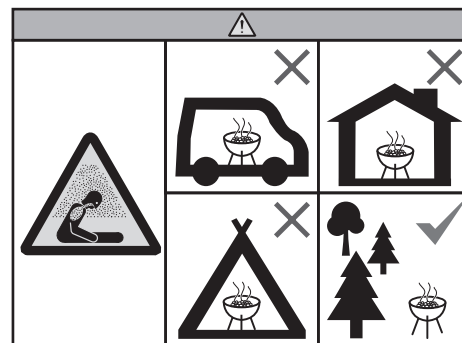
AVERTISSEMENT :

Indique une situation dangereuse qui, si elle n'est pas évitée, peut entraîner la mort ou des blessures graves.

- ⚠ Le barbecue ne doit jamais être laissé sans surveillance ou déplacé pendant son fonctionnement.
- ⚠ Après une période d'entreposage ou de non-utilisation, le barbecue doit être vérifié avant utilisation pour détecter les fuites de gaz et les obstructions du brûleur. Consultez les instructions de ce manuel de l'utilisateur pour les procédures correctes.
- ⚠ N'utilisez pas ce barbecue si tous ses éléments ne sont pas à leur place. Ce barbecue doit être correctement assemblé en suivant les instructions prévues à cet effet.
- ⚠ N'installez pas ce modèle de barbecue dans un espace encastré ni dans un aménagement sur glissières.
- ⚠ Ne vous penchez jamais au-dessus du barbecue ouvert pendant que vous l'allumez ou y faites cuire des aliments.
- ⚠ Utilisez en permanence des mitaines ou des gants résistant à la chaleur lorsque vous utilisez votre barbecue.
- ⚠ Utilisez des ustensiles adéquats munis de poignées longues et thermorésistantes.
- ⚠ Ne placez pas les mains ou les doigts sur le bord avant de la cuve lorsque le barbecue est chaud ou que le couvercle est ouvert.
- ⚠ Utilisez le détendeur fourni avec le barbecue.
- ⚠ Maintenez éloignés des surfaces chauffantes tout cordon d'alimentation électrique ainsi que le flexible d'alimentation en combustible.
- ⚠ L'usage d'alcool, de médicaments avec ordonnance ou sans ordonnance ainsi que de drogues illégales peut altérer les capacités de l'utilisateur et l'empêcher d'assembler, de déplacer, de ranger ou d'utiliser le barbecue d'une manière adéquate et sécuritaire.
- ⚠ Placez toujours le charbon sur la grille foyère. Ne placez pas de charbon directement sur le fond de la cuve ni sur la plaque de diffusion de chaleur.
- ⚠ Le barbecue doit être nettoyé soigneusement et régulièrement.
- ⚠ Ne déposez jamais de charbon chaud dans un endroit où l'on pourrait marcher dessus et où il risquerait de provoquer un incendie. Ne jetez jamais de cendre ou de charbon avant qu'il ne soient complètement éteints.
- ⚠ Lors de la cuisson, le barbecue doit être sur une surface stable de niveau dans une zone loin de matériaux combustibles.
- ⚠ Le fait d'étaler une couche de papier aluminium dans le fond de la cuve obstruera le flux d'air. Utilisez plutôt une lèchefrite pour recueillir les jus de viande lorsque vous utilisez la méthode de cuisson indirecte.
- ⚠ Vérifiez régulièrement que les brosses pour grille de cuisson ne perdent pas leurs poils ou ne présentent pas de signe d'usure excessive. Remplacez la brosse si vous détectez des poils

lâches sur les grilles de cuisson ou la brosse. Weber recommande d'acheter une nouvelle brosse à barbecue en acier inoxydable chaque année, au début du printemps.

- ⚠ Lorsque vous allumez ou utilisez le barbecue, ne portez pas de vêtements dotés de manches amples ou flottantes.
- ⚠ Ne touchez jamais la grille de cuisson, la grille foyère, les cendres, le charbon ou le barbecue pour savoir s'ils sont chauds.
- ⚠ Ce barbecue WEBER n'est pas fait pour être installé sur des véhicules de loisirs ou des bateaux.
- ⚠ N'utilisez pas de liquide d'allumage, d'alcool ou d'autres liquides très volatils pour allumer le charbon.
- ⚠ AVERTISSEMENT! N'utilisez pas le barbecue dans un espace clos et/ou habitable, par exemple une maison, une tente, une caravane, une autocaravane ou un bateau. Danger d'intoxication au monoxyde de carbone causant la mort.



ATTENTION :

Indique une situation dangereuse qui, si elle n'est pas évitée, peut entraîner des blessures mineures ou modérées.

- ⚠ N'enlevez pas les cendres avant que tout le charbon soit complètement brûlé et éteint et que le barbecue ait refroidi.
- ⚠ Ne rangez pas le barbecue avant que les cendres et les braises ne soient totalement éteints.
- ⚠ Le barbecue n'est pas destiné à un usage commercial.
- ⚠ N'utilisez pas d'eau pour maîtriser les flambées ou éteindre le charbon.
- ⚠ N'utilisez pas le barbecue par vent fort.
- ⚠ Éteignez le charbon lorsque la cuisson est terminée. Pour éteindre le feu, fermez les orifices d'aération de la cuve et le registre de couvercle RAPIDFIRE, puis placez le couvercle sur la cuve.

PROPOSITION 65, CALIFORNIE

⚠ AVERTISSEMENT : Les sous-produits de combustion qui se dégagent lors de l'utilisation de ce produit contiennent des produits chimiques que l'État de la Californie reconnaît comme pouvant causer le cancer, des anomalies congénitales ou d'autres effets nuisibles sur la reproduction.

⚠ AVERTISSEMENT SUR LA PROPOSITION 65 : La manipulation des composantes en laiton de ce barbecue est susceptible de vous exposer à du plomb, un produit chimique reconnu par l'État de la Californie comme une cause de cancer, d'anomalies congénitales ou d'autres dangers pour le système de reproduction. *Lavez les mains après la manipulation de ce produit.*



GARANTIE

Merci d'avoir acheté un produit WEBER. Weber-Stephen Products LLC, 1415 S. Roselle Road, Palatine, Illinois 60067 (ci-après « WEBER ») est fière d'offrir un produit sécuritaire, durable et fiable.

Voici la Garantie volontaire WEBER qui vous est offerte. Elle comprend des renseignements dont vous aurez besoin pour faire réparer votre produit WEBER dans le cas improbable d'une défaillance ou d'un défaut.

Conformément aux lois applicables, le client dispose de plusieurs droits si le produit est défectueux. Ces droits comprennent la réparation des défauts ou le remplacement, la réduction du prix d'achat et une indemnisation. Dans l'Union européenne, par exemple, il pourrait s'agir d'une garantie légale de deux ans entrant en vigueur à la date de la remise du produit. Ces droits et les autres droits légaux ne sont pas touchés par cette disposition de garantie. Au contraire, cette garantie confère des droits supplémentaires au propriétaire, indépendamment des dispositions de garantie légale.

GARANTIE VOLONTAIRE WEBER

WEBER garantit à l'acheteur du produit WEBER (ou, dans le cas d'un cadeau ou d'une situation promotionnelle, à la personne pour laquelle il a été acheté comme cadeau ou article promotionnel) que le produit WEBER ne comporte pas de défauts de matériaux ou de fabrication pour la ou les périodes spécifiées ci-après, s'il est assemblé et utilisé conformément au manuel du propriétaire ci-joint. (Remarque : si vous perdez ou égarez votre manuel du propriétaire WEBER, vous trouverez une copie de ce dernier en ligne au www.weber.com ou sur le site Web d'un pays vers lequel le propriétaire peut être redirigé.) Si le produit est utilisé et entretenu normalement par une seule famille en maison ou en appartement, WEBER accepte, en vertu de la présente garantie, de réparer ou de remplacer les pièces défectueuses selon les délais, limitations et exclusions applicables énumérés ci-dessous. **DANS LES LIMITES PRÉVUES PAR LA LOI APPLICABLE, LA PRÉSENTE GARANTIE N'EST OFFERTE QU'AU PREMIER ACHETEUR ET ELLE N'EST PAS TRANSFÉRABLE AUX PROPRIÉTAIRES SUBSÉQUENTS, SAUF EN CAS DE CADEAUX ET D'ARTICLES PROMOTIONNELS, COMME IL A ÉTÉ MENTIONNÉ CI-DESSUS.**

RESPONSABILITÉS DU PROPRIÉTAIRE EN VERTU DE LA PRÉSENTE GARANTIE

Pour profiter sans problème de la garantie, il est important (mais non obligatoire) d'enregistrer votre produit WEBER en ligne sur www.weber.com ou sur le site Web d'un pays vers lequel le propriétaire peut être redirigé. Veuillez également conserver votre facture d'achat. L'enregistrement de votre produit WEBER confirme votre couverture de garantie et instaure un lien direct entre vous et WEBER au cas où nous devrions vous contacter.

La garantie ci-dessus s'applique uniquement si le propriétaire prend raisonnablement soin du produit WEBER en suivant les consignes d'assemblage, d'utilisation et d'entretien préventif dont il est fait mention dans le manuel du propriétaire, sauf si le propriétaire peut prouver que la défaillance ou le défaut est survenu indépendamment du non-respect des obligations mentionnées ci-dessus. Si vous habitez une région côtière ou que votre produit est placé près d'une piscine, un nettoyage et un rinçage réguliers des surfaces extérieures font également partie de l'entretien normal, comme expliqué dans le manuel du propriétaire ci-joint.

TRAITEMENT DE LA GARANTIE/EXCLUSION DE LA GARANTIE

Si vous croyez qu'une pièce est couverte par cette garantie, veuillez communiquer avec le service à la clientèle WEBER aux coordonnées figurant sur notre site (www.weber.com ou sur le site Web d'un pays vers lequel le propriétaire peut être redirigé). Après enquête, Weber réparera ou remplacera (à sa discrétion) toute pièce défectueuse couverte par cette garantie. Si la réparation ou le remplacement est impossible, Weber peut choisir (à sa discrétion) de remplacer le barbecue en question par un nouveau, de valeur égale ou supérieure. WEBER peut vous demander de retourner les pièces aux fins d'inspection. Les frais d'expédition doivent être prépayés.

Cette GARANTIE est annulée si les dommages, la détérioration, la décoloration et la rouille sont causés par :

- Une utilisation abusive, la modification, le mauvais usage, le vandalisme, la négligence, une installation ou un assemblage inadéquat, ou toute négligence concernant l'entretien régulier;
- Des insectes (comme des araignées) et rongeurs (comme des écureuils), comprenant, sans s'y limiter, tout dommage aux brûleurs ou conduites de gaz;
- L'exposition à l'air salin ou à des sources de chlore comme des piscines, jacuzzis et spas;
- Des conditions météorologiques extrêmes comme la grêle, un ouragan, un séisme, un tsunami, un raz-de-marée, une tornade ou un orage violent.

L'utilisation ou l'installation sur votre produit WEBER de pièces autres que des pièces d'origine WEBER annulera la présente garantie, et tout dommage en découlant ne sera pas couvert par la présente garantie. Toute conversion non autorisée d'un barbecue au gaz par WEBER et effectuée par un technicien autorisé par WEBER annulera cette garantie.

PÉRIODES DE GARANTIE DU PRODUIT

Assemblage de la cuve et du couvercle :
10 ans, aucun trou de rouille ou de calcination

Grilles de cuisson en acier inoxydable :
5 ans, aucun trou de rouille ou de calcination

Système de nettoyage One-Touch :
5 ans, aucun trou de rouille ou de calcination

Composants en plastique :
5 ans, à l'exception du ternissement ou de la décoloration

Autres pièces :
2 ans

AVIS DE NON-RESPONSABILITÉ

OUTRE LA GARANTIE ET LES CLAUSES DE NON-RESPONSABILITÉ DÉCRITES DANS CETTE DÉCLARATION DE GARANTIE, IL N'EXISTE EXPLICITEMENT AUCUNE AUTRE GARANTIE OU DÉCLARATION VOLONTAIRE DE RESPONSABILITÉ FIGURANT ICI ALLANT AU-DELÀ DE LA RESPONSABILITÉ LÉGALE APPLICABLE À WEBER. LA PRÉSENTE DÉCLARATION DE GARANTIE NE LIMITE NI N'EXCLUT LES SITUATIONS OU REQUÊTES POUR LESQUELLES WEBER A UNE RESPONSABILITÉ OBLIGATOIRE EN VERTU DE LA LÉGISLATION.

AUCUNE GARANTIE NE S'APPLIQUERA APRÈS LA DURÉE D'APPLICATION DE CETTE GARANTIE. WEBER N'EST ENGAGÉE PAR AUCUNE AUTRE GARANTIE FOURNIE PAR UN TIERS, Y COMPRIS UN CONCESSIONNAIRE OU REVENDEUR, EN LIEN AVEC AUCUN PRODUIT (COMME UNE « EXTENSION DE GARANTIE »). LA RÉPARATION OU LE REMPLACEMENT D'UNE PIÈCE OU DU PRODUIT CONSTITUE LE RECOURS EXCLUSIF PERMIS DANS LE CADRE DE LA PRÉSENTE GARANTIE.

LA VALEUR DE TOUT REMPLACEMENT OU DE TOUTE RÉPARATION AU TITRE DE CETTE GARANTIE VOLONTAIRE NE SERA EN AUCUN CAS SUPÉRIEURE AU MONTANT DU PRIX D'ACHAT DU PRODUIT WEBER VENDU.

VOUS ASSUMEZ LES RISQUES ET LA RESPONSABILITÉ EN CAS DE PERTE, DE DOMMAGE OU DE BLESSURE TOUCHANT VOUS OU VOS BIENS OU LES AUTRES ET LEURS BIENS CAUSÉS PAR UNE MAUVAISE UTILISATION OU UNE UTILISATION ABUSIVE DU PRODUIT OU LE NON-RESPECT DES INSTRUCTIONS PRÉSENTÉES PAR WEBER DANS LE MANUEL DU PROPRIÉTAIRE FOURNI.

LES PIÈCES ET LES ACCESSOIRES REMPLACÉS DANS LE CADRE DE LA PRÉSENTE GARANTIE SONT GARANTIS UNIQUEMENT POUR LA PÉRIODE RESTANTE DE LA GARANTIE D'ORIGINE MENTIONNÉE CI-DESSUS.

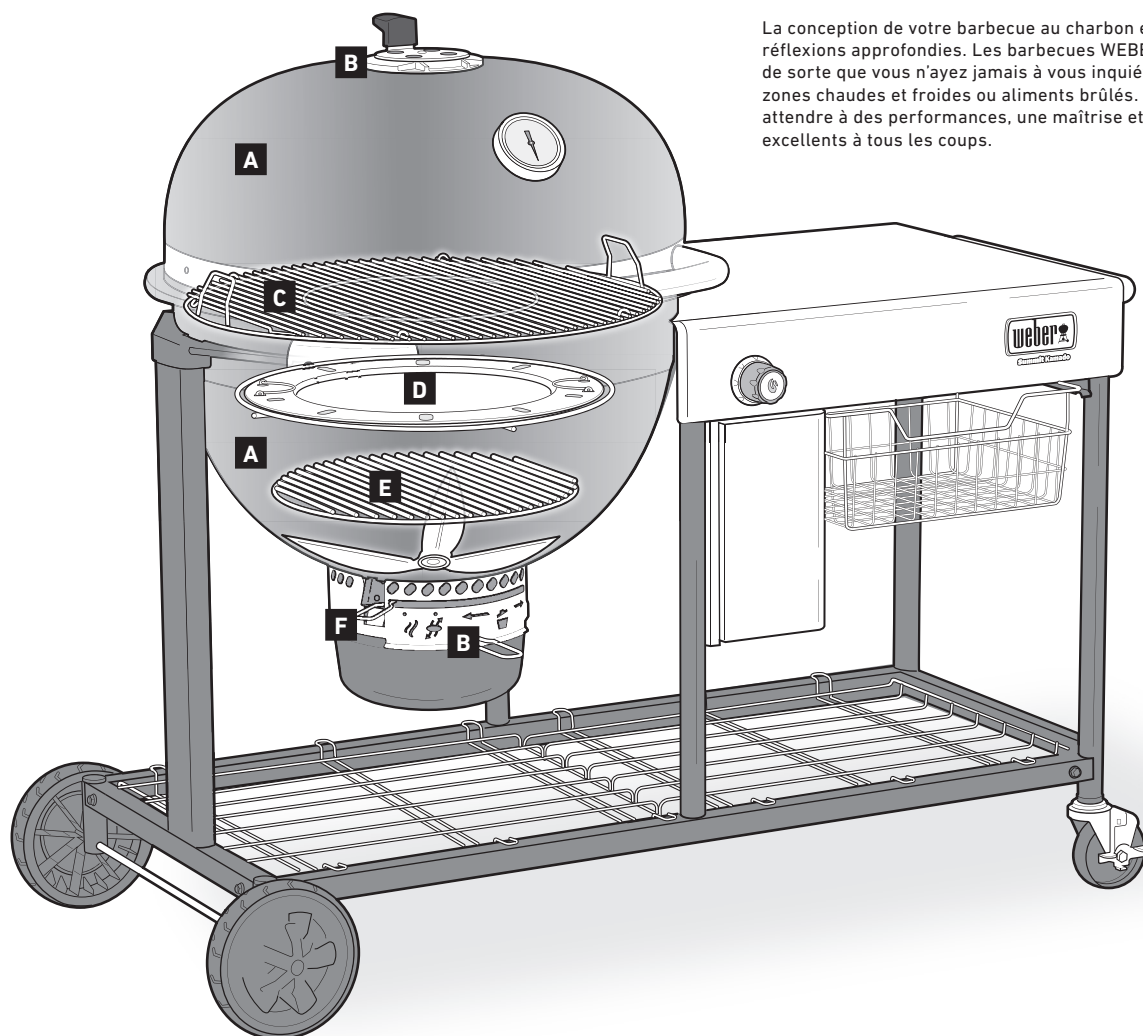
LA PRÉSENTE GARANTIE S'APPLIQUE UNIQUEMENT AUX PRODUITS UTILISÉS PAR UNE SEULE FAMILLE EN MAISON OU EN APPARTEMENT. ELLE NE S'APPLIQUE PAS AUX BARBECUES WEBER UTILISÉS PAR PLUSIEURS FAMILLES NI À CEUX UTILISÉS DANS UN CONTEXTE COMMERCIAL OU COMMUNAUTAIRE, COMME DANS DES RESTAURANTS, DES HÔTELS, DES COMPLEXES OU DES ÉTABLISSEMENTS LOCATIFS.

WEBER PEUT PARFOIS MODIFIER LA CONCEPTION DE SES PRODUITS. AUCUN RENSEIGNEMENT COMPRIS DANS LA PRÉSENTE GARANTIE NE DOIT ÊTRE INTERPRÉTÉ COMME OBLIGEANT WEBER À INTÉGRER CES CHANGEMENTS DE CONCEPTION AUX PRODUITS FABRIQUÉS PRÉCÉDEMMENT. DE PLUS, AUCUN CHANGEMENT NE DOIT ÊTRE INTERPRÉTÉ COMME UNE ADMISSION DE DÉFECTUOSITÉ SUR LES CONCEPTIONS PRÉCÉDENTES.

Consultez la liste des unités commerciales internationales à la fin du présent manuel de l'utilisateur pour obtenir des coordonnées supplémentaires.

TABLE DES MATIÈRES

- 54 Sécurité
- 55 Garantie
- 4 Assemblage
- 56 Système de cuisson
- 57 Caractéristiques
- 58 Renseignements importants sur les branchements de gaz propane liquide et de gaz
- 59 Préparation à l'utilisation du barbecue
- 60 Avant l'allumage
 - Choisir un endroit adéquat
 - Choisir la quantité de charbon à utiliser
 - Première utilisation de votre barbecue
 - Préparer le barbecue pour l'allumage
- 61 Allumer le charbon
 - Allumer le charbon à l'aide d'une cheminée d'allumage
 - Allumer le charbon à l'aide de cubes d'allumage
 - Allumer le charbon à l'aide de paniers à charbon Char-Basket
- 62 Allumage du brûleur - Système d'allumage au gaz Snap-Jet
- 64 Méthodes de cuisson
 - Cuisson directe
 - Cuisson indirecte
 - Fumage
- 67 Trucs et astuces pour réussir vos grillades
- 68 Entretien
- 71 Pièces de rechange



La conception de votre barbecue au charbon est le fruit de réflexions approfondies. Les barbecues WEBER sont conçus de sorte que vous n'ayez jamais à vous inquiéter de flambées, zones chaudes et froides ou aliments brûlés. Vous pouvez vous attendre à des performances, une maîtrise et des résultats excellents à tous les coups.

A Cuve et couvercle

La cuve et le couvercle à double paroi et isolés à l'air retiennent la chaleur pour des durées de cuisson plus longues et un excellent contrôle de la température. La forme en bouilloire unique de votre barbecue SUMMIT KAMADO permet une véritable cuisson par convection.

B Registres et orifices d'aération

L'air fait partie intégrante de la cuisson au charbon. Plus on fait entrer d'air dans le barbecue plus la chaleur du feu augmente (jusqu'à un certain point), ce qui fait que le charbon brûle beaucoup plus vite. L'orifice d'aération de la cuve situé au fond du barbecue doit être ouvert pendant la cuisson ou être en position de fumage pendant le fumage. Le registre supérieur est utilisé pour contrôler la température à l'intérieur du barbecue.

C Grille de cuisson

Fabriquée en acier inoxydable robuste, la grille de cuisson offre beaucoup d'espace pour préparer tous vos plats préférés.

D Plaque de diffusion de chaleur

La plaque de diffusion en acier inoxydable est utilisée pour maintenir une température constante et pour diriger la chaleur et la fumée autour des aliments. Elle doit toujours être utilisée lors du fumage d'aliments. Elle peut également être utilisée lors de la cuisson indirecte pour maximiser l'espace de cuisson.

E Grille foyère

La grille foyère peut résister à la chaleur dégagée par n'importe quel feu de charbon. Fabriquée en acier robuste, cette grille solide ne peut pas se déformer ni se transpercer. La grille peut être déplacée à une position supérieure dans la cuve pour les grillades et à une position inférieure pour le fumage.

F Système de nettoyage ONE-TOUCH

Le système de nettoyage ONE-TOUCH en acier inoxydable vous permet de nettoyer le barbecue sans tracas. En faisant glisser la poignée d'avant en arrière, les trois pales situées dans la cuve envoient les cendres du fond du barbecue vers le cendrier à grande capacité pour une élimination rapide et propre des cendres. Ces orifices servent également de registres qui aident à alimenter le feu en oxygène ou vous permettent de l'éteindre facilement.



Le WEBER SUMMIT KAMADO S6 n'est pas seulement un barbecue ordinaire. Les caractéristiques haut de gamme et la conception novatrice vous permettent de griller ou de fumer vos aliments avec facilité et commodité.

A GOURMET BBQ SYSTEM

La grille de cuisson GOURMET BBQ SYSTEM est la grille circulaire centrale dans la grille de cuisson articulée. Elle est amovible et elle peut être remplacée par tout insert WEBER GOURMET BBQ SYSTEM (inserts vendus séparément). Pour la gamme complète d'inserts GOURMET BBQ SYSTEM, consultez notre site web : www.weber.com.

B Système d'allumage au gaz Snap-Jet

Allumer le charbon n'a jamais été aussi facile grâce au système d'allumage au gaz Snap-Jet. Empilez simplement du charbon au-dessus du tube du brûleur et allumez-le avec le bouton de commande du brûleur.

C Cendrier à grande capacité

Le cendrier à grande capacité entièrement recouvert empêche les cendres de se disperser dans la cuve et permet de retirer facilement et rapidement les cendres. (Non illustré)

D Plaque de diffusion en acier inoxydable

Cette plaque de diffusion spécialement conçue est utilisée spécifiquement pour le fumage des aliments, ainsi que pour la cuisson indirecte.

E Thermomètre intégré

Le thermomètre résistant intégré au couvercle vous permet de surveiller aisément la température de votre barbecue. La zone « fumée » du thermomètre indique quand le barbecue a atteint la température idéale pour le fumage.

F Registre de couvercle RAPIDFIRE

Le registre de couvercle RAPIDFIRE à charnière maximise le débit d'air et augmente la température rapidement afin que vous puissiez cuire en 20 minutes. Il permet également un rétablissement rapide de la température.

G Sac de rangement de combustible

Le sac portable de rangement de combustible permet de stocker jusqu'à 20 livres de charbon et garantit que le combustible reste sec et protégé des éléments.

H Couvercle à charnière facile à ouvrir

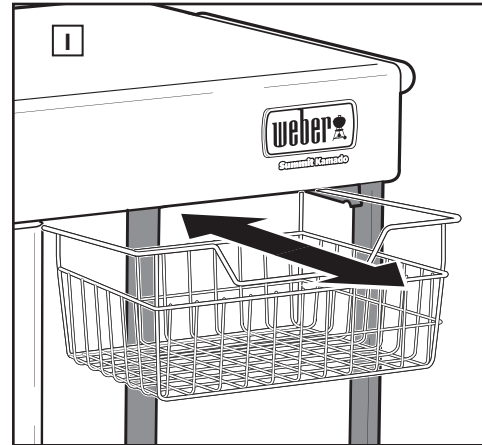
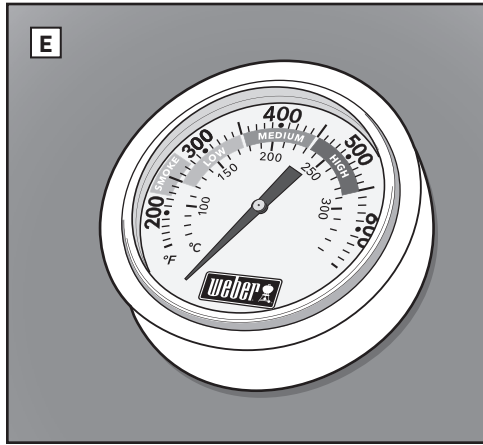
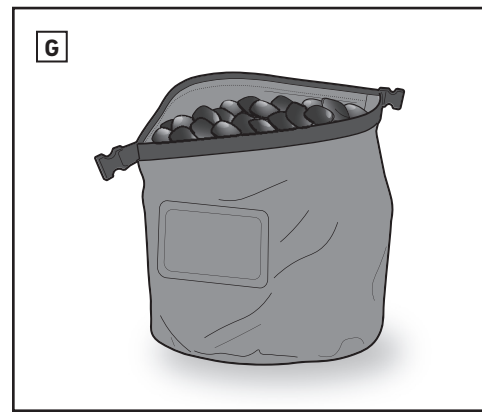
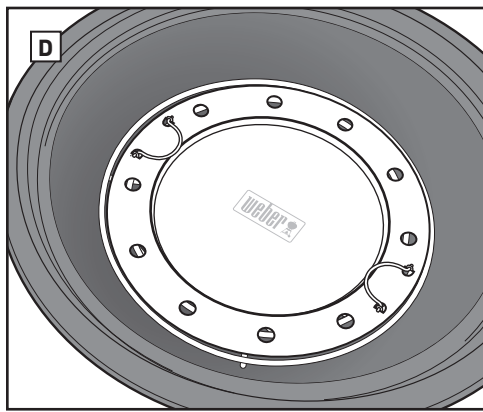
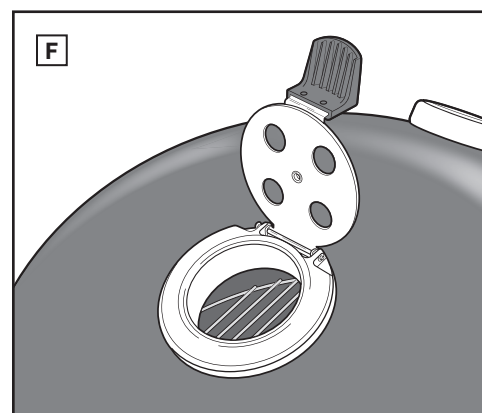
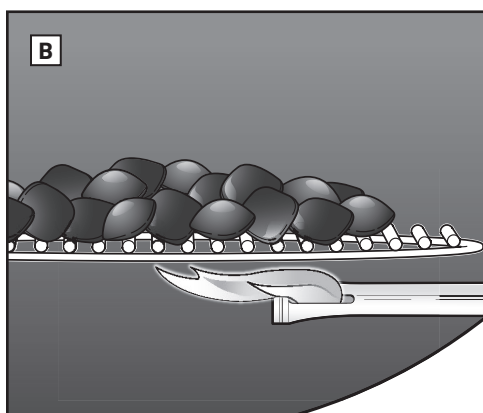
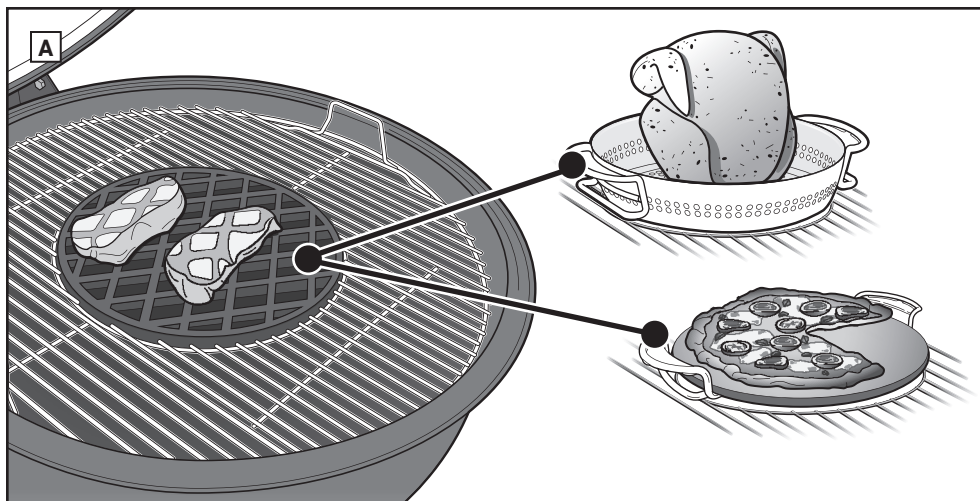
Le couvercle de votre barbecue a été conçu avec une charnière à ressort pour rendre l'ouverture et la fermeture du couvercle simple et sécuritaire. La charnière empêche le couvercle de se refermer, ce qui évite d'éventuels blessures ou dommages au barbecue. (Non illustré)

I Panier en fil d'acier inoxydable

Le panier amovible en fil d'acier inoxydable est idéal pour ranger les accessoires et les ustensiles de cuisson. Idéalement situé sous la table en acier inoxydable pour un accès facile pendant la cuisson.

J Orifices d'aération de la cuve pour la cuisson et le fumage à basse température

La forme de ces orifices d'aération de la cuve assure une ventilation parfaite pour la cuisson et le fumage à basse température. (Non illustré)





QU'EST-CE QUE LE GAZ PROPANE LIQUIDE?

Le gaz de pétrole liquéfié, également appelé « propane liquide », PL, « gaz propane liquide » ou simplement « propane » ou « butane », est le produit à base de pétrole inflammable utilisé pour alimenter votre barbecue. Il est dans un état gazeux à une pression et à des températures modérées lorsqu'il n'est pas emprisonné. Toutefois, placé dans un contenant à une pression modérée comme une bouteille, le propane liquide passe à l'état liquide. Lorsque la pression est relâchée de la bouteille, le liquide s'évapore rapidement et devient du gaz propane liquide.

- Le propane liquide a une odeur semblable au gaz naturel. Vous devriez être conscient de cette odeur.
- Le propane liquide est plus lourd que l'air. Le gaz propane liquide qui fuit peut s'accumuler dans les zones basses et résister à la dispersion.

⚠ DANGER

N'entrez jamais JAMAIS de bouteille de propane liquide de rechange sous le barbecue ou à proximité des appareils à gaz WEBER. Le non-respect de ces directives à la lettre peut causer un incendie et entraîner la mort ou des blessures graves.

CONSIGNES POUR UNE MANIPULATION SÉCURITAIRE DES BOUTEILLES DE PROPANE LIQUIDE

Il existe plusieurs directives et facteurs de sécurité que vous devez garder à l'esprit lorsque vous utilisez du propane liquide. Suivez attentivement ces instructions avant d'utiliser votre barbecue au gaz WEBER.

- N'utilisez pas une bouteille de propane liquide endommagée, bosselée ou rouillée.
- Manipulez les bouteilles de propane liquide « vides » avec le même soin que vous manipulez les bouteilles pleines. Même lorsqu'une bouteille de propane liquide est vide, il peut y avoir une pression de gaz à l'intérieur de la bouteille.
- Les bouteilles de propane liquide ne doivent pas tomber ou être manipulées brutalement.
- Ne rangez ni ne transportez jamais la bouteille de propane liquide dans des endroits où les températures peuvent atteindre 51,7 °C (125 °F) (la bouteille deviendra trop chaude pour être manipulée avec les mains). Par exemple : ne laissez pas la bouteille de propane liquide dans une voiture un jour de chaleur.
- Les bouteilles de propane liquide doivent être tenues hors de portée des enfants.

ENTREPOSAGE ET NON-UTILISATION

Pour les barbecues qui ont été stockés ou laissés inutilisés pendant un certain temps, il est important de suivre ces directives :

- Déconnectez la bouteille si : 1) la bouteille est vide; 2) le barbecue est entreposé dans un garage ou dans un espace clos; 3) le barbecue doit être transporté; 4) le barbecue n'est pas utilisé.
- Installez un capuchon antipoussières sur l'extrémité du robinet de la bouteille lorsque vous n'utilisez pas la bouteille.
- N'entrez pas une bouteille de propane liquide déconnectée dans un bâtiment, un garage ou tout autre espace clos.
- Avant d'utiliser le barbecue à gaz WEBER, il faut vérifier qu'il n'y a pas de fuites de gaz ni d'obstructions dans le tube de brûleur. (Consultez la section « VÉRIFICATION DES FUITES DE GAZ » et « ENTRETIEN ANNUEL ».)

- Vérifiez que la cuve et le cendrier à grande capacité sont exempts de débris susceptibles d'obstruer le flux d'air de combustion ou de ventilation.
- Le tube de brûleur doit également être vérifié pour détecter d'éventuelles obstructions. (Consultez « ENTRETIEN ANNUEL »)

U.S. CODES EN MATIÈRE D'INSTALLATION AUX ÉTATS-UNIS

Aux États-Unis, l'installation doit être conforme aux codes locaux en vigueur. En l'absence de codes locaux, les codes applicables selon le type d'appareil sont les suivants : le National Fuel Gas Code, ANSI Z223.1/ NFPA 54.

CODES CANADIENS EN MATIÈRE D'INSTALLATION

Les présentes instructions, bien que généralement acceptables, ne respectent pas nécessairement toutes les dispositions des codes canadiens en matière d'installation. Au Canada, l'installation de ce barbecue doit être conforme aux codes locaux en vigueur et à la version la plus récente de la norme CAN/CSA-B149.2 (Code de stockage et de maintenance du propane).

REMARQUE : Votre détaillant peut vous aider à trouver une bouteille de rechange adéquate pour votre barbecue.

RACCORDS DU DÉTENDEUR

Votre barbecue au gaz WEBER est muni d'un détendeur de pression qui contrôle et maintient une pression de gaz uniforme lorsque le gaz s'échappe de la bouteille de propane liquide. Chaque détendeur WEBER est conçu pour le retrait de la vapeur.

- Le détendeur fourni avec le barbecue à gaz WEBER doit être utilisé. Ce détendeur est réglé pour une pression de 11 pouces de colonne d'eau.

UTILISATION DU BRÛLEUR

Le brûleur à gaz figurant sur votre barbecue à charbon SUMMIT fonctionne à 10 000 BTU. Il sert uniquement à allumer le charbon de bois. Il ne doit jamais être utilisé pour la cuisson.

INSTALLATION DE LA BOUTEILLE DE PROPANE LIQUIDE

Utilisez des bouteilles de propane liquide jetables d'une capacité de 14,1 onces à 16,4 onces équipées d'un raccord CGA 600.

⚠ ATTENTION : Utilisez uniquement des bouteilles portant la mention « Combustible propane ».

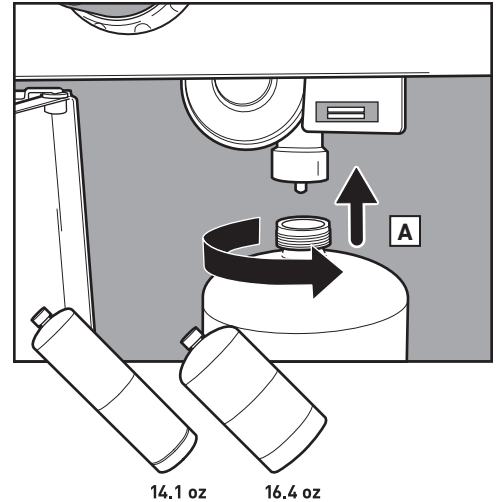
1. Assurez-vous que le bouton de commande du brûleur est arrêté en le poussant et en le tournant dans le sens des aiguilles d'une montre en position arrêtée (O).
2. Poussez la bouteille de propane liquide dans le détendeur et tournez dans le sens des aiguilles d'une montre jusqu'à ce qu'elle soit bien serrée (A).

⚠ AVERTISSEMENT : Ne pas utiliser de clé pour serrer la connexion. L'utilisation d'une clé pourrait endommager le raccord du détendeur et causer une fuite de gaz.

RETRAIT DE LA BOUTEILLE DE PROPANE LIQUIDE

Lorsque votre bouteille de propane liquide doit être remplacée, suivez ces instructions pour la retirer.

1. Assurez-vous que le bouton de commande du brûleur est arrêté en le poussant et en le tournant dans le sens des aiguilles d'une montre en position arrêtée (O).
2. Dévissez la bouteille de propane liquide du détendeur.





EN QUOI CONSISTE LA VÉRIFICATION DES FUITES?

Le système d'alimentation de votre barbecue comprend des branchements et raccords. La vérification des fuites est un moyen fiable de s'assurer qu'aucun gaz ne s'échappe des branchements et raccords.

Bien que tous les raccordements effectués en usine aient été examinés pour détecter la présence de fuite, il est important d'effectuer une vérification des fuites avant d'utiliser votre barbecue pour la première fois, ainsi qu'à chaque fois que vous déconnectez ou rebranchez un raccord et chaque fois que vous effectuez un entretien de routine.

⚠ DANGER

N'utilisez pas de flamme nue pour vérifier les fuites de gaz. Assurez-vous que qu'il n'y a aucune étincelle ni flamme nue à proximité du barbecue lorsque vous vérifiez la présence de fuites. Les étincelles ou flammes nues entraîneront un incendie ou une explosion, ce qui peut entraîner de graves blessures voire la mort, ainsi que des dégâts matériels.

⚠ **AVERTISSEMENT** : Les branchements de gaz de votre barbecue ont été testés en usine. Nous vous recommandons toutefois d'effectuer une vérification des fuites sur tous les branchements de gaz avant d'utiliser votre barbecue au gaz.

⚠ **AVERTISSEMENT** : Effectuez ces vérifications des fuites, même si votre barbecue a été assemblé par le revendeur ou le magasin.

⚠ **AVERTISSEMENT** : Effectuez une vérification des fuites de gaz à chaque fois que vous débranchez et rebranchez un raccord de gaz.

REMARQUE : Tous les raccordements effectués en usine ont été soigneusement examinés afin de détecter la présence de fuite, et les brûleurs ont fait l'objet d'un essai à la flamme. Par mesure de sécurité, vous devez toutefois vérifier tous les raccords pour détecter des fuites avant d'utiliser votre Barbecue à gaz WEBER. Le transport et la manutention peuvent desserrer ou endommager un raccord de gaz.

VÉRIFICATION DES FUITES DE GAZ

Vous aurez besoin des éléments suivants : un flacon pulvérisateur, une brosse ou un chiffon et une solution d'eau et de savon. (Vous pouvez préparer votre propre solution d'eau savonneuse en mélangeant une part de savon liquide à quatre parts d'eau. Autrement, vous pouvez vous procurer une solution de vérification des fuites dans le rayon de plomberie de n'importe quelle quincaillerie.)

1. Assurez-vous que le bouton de commande du brûleur est arrêté en le poussant et en le tournant dans le sens des aiguilles d'une montre en position arrêtée (O).

⚠ **AVERTISSEMENT** : N'allumez pas le brûleur lors de la vérification des fuites.

2. Pour vérifier la présence de fuites, mouillez les raccords avec de l'eau savonneuse à l'aide d'un flacon pulvérisateur d'une brosse ou d'un chiffon. Si des bulles se forment, ou si une bulle se développe, il y a une fuite. Appliquez la solution d'eau et de savon sur les branchements suivants :

a. Branchement détendeur à la bouteille (A).

⚠ **AVERTISSEMENT** : S'il y a une fuite au niveau du branchement (A), retirez la bouteille de propane. **N'UTILISEZ PAS LE BARBECUE.** Installez une autre bouteille de propane et revérifiez les fuites avec une solution d'eau et de savon. Si une fuite persiste après avoir installé une autre bouteille de propane, retirez la bouteille de propane. **N'UTILISEZ PAS LE BARBECUE.** Communiquez avec le représentant du service à la clientèle de votre région à l'aide des coordonnées qui se trouvent sur notre site Web. Connectez-vous au site Web www.weber.com.

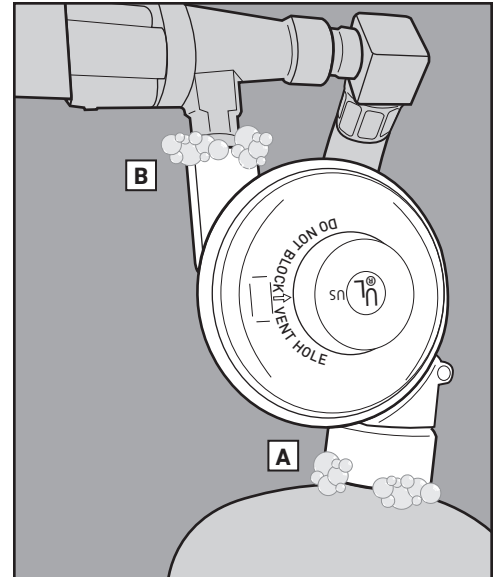
b. Branchement robinet au détendeur (B).

⚠ **AVERTISSEMENT** : S'il y a une fuite au niveau du branchement (B), retirez la bouteille de propane. **N'UTILISEZ PAS LE BARBECUE.** Communiquez avec le représentant du service à la clientèle de votre région à l'aide des coordonnées qui se trouvent sur notre site Web. Connectez-vous au site Web www.weber.com.

3. Quand la vérification des fuites est terminée, rincez les raccords avec de l'eau.

REMARQUE : Comme certaines solutions de test de fuite, notamment le savon et l'eau, peuvent être légèrement corrosives, tous les raccords doivent être rincés à l'eau après avoir vérifié l'absence de fuites.

Vous êtes maintenant prêt à utiliser votre barbecue.



FLEXIBLE, DÉTendeur ET ROBINET DE RECHANGE

⚠ REMARQUE IMPORTANTE :

Nous recommandons de remplacer l'assemblage du flexible de gaz de votre barbecue au gaz WEBER tous les cinq ans. Certains pays peuvent prescrire de remplacer le flexible de gaz plus régulièrement, auquel cas la législation nationale prévaut.

Pour le montage des flexibles, détendeurs et robinets de remplacement, contactez le représentant du service à la clientèle de votre région en vous référant aux coordonnées indiquées sur notre site Internet. Rendez-vous sur www.weber.com.



AVANT L'ALLUMAGE

Choisir un endroit adéquat

- Utilisez ce barbecue uniquement à l'extérieur, dans un endroit bien aéré. Ne l'utilisez pas dans un garage, un bâtiment, un passage couvert ou tout autre espace clos.
- Installez toujours le barbecue sur une surface plane et sûre.
- N'utilisez pas ce barbecue à moins de 1,5 m (5 pieds) de toute matière combustible. Les matières combustibles comprennent notamment, sans limitation, les terrasses, les patios et les vérandas en bois naturel ou traité.

Choisir la quantité de charbon à utiliser

Le choix de la quantité de charbon dépend de ce que vous allez faire cuire et de la taille de votre barbecue. Si vous faites griller de petits aliments tendres qui prennent moins de 20 minutes à cuire, reportez-vous au tableau *Quantité de charbon pour une cuisson directe*. Si vous faites griller ou fumer de grosses pièces de viande qui nécessitent un temps de cuisson de 20 minutes ou plus, reportez-vous au tableau *Quantité de charbon pour une cuisson indirecte*. Pour en savoir plus sur la différence entre la cuisson directe et indirecte, consultez la section *MÉTHODES DE CUISSON* de ce manuel.

Première utilisation de votre barbecue

Avant vos premières grillades, il est recommandé de préchauffer le barbecue et de maintenir le combustible ardent, couvercle fermé, pendant au moins 30 minutes afin de brûler les éventuels résidus de fabrication.

Quantité de charbon pour une cuisson directe

Briquettes de charbon WEBER	Briquettes de charbon	Charbon de bois de hêtre*	Charbon de bois mélangés
45 briquettes (2¼ tasses)	50 briquettes (1¼ tasse)	3½ tasses (1,27 kg)	2½ tasses

*Lorsque vous mesurez les quantités de charbon de bois, utilisez la tasse de mesure de charbon fournie avec votre barbecue.

Quantité de charbon pour une cuisson indirecte

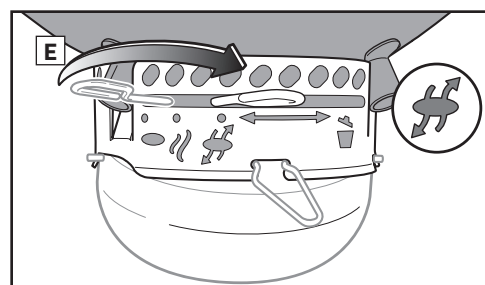
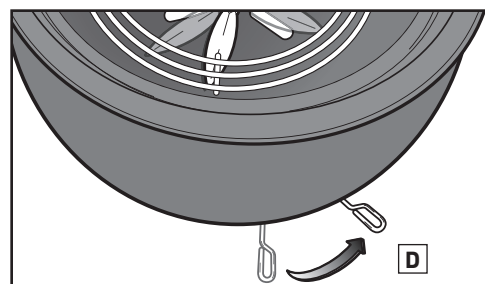
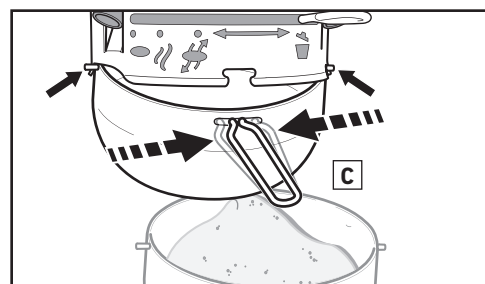
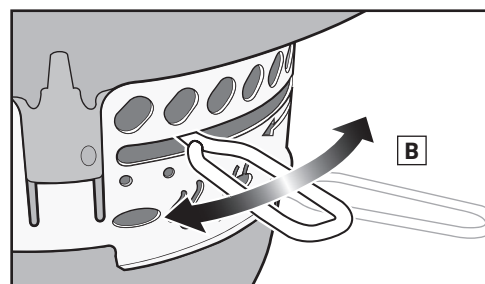
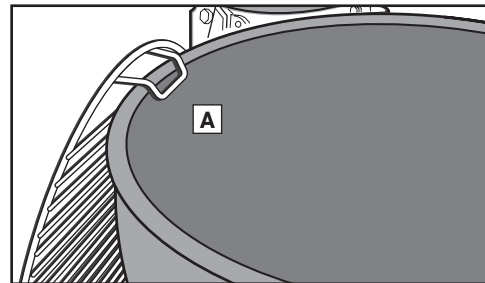
Briquettes de charbon WEBER		Briquettes de charbon		Charbon de bois de hêtre*		Charbon de bois mélangés	
Briquettes pour la première heure (par côté)	Briquettes à ajouter pour chaque heure supplémentaire (par côté)	Briquettes pour la première heure (par côté)	Briquettes à ajouter pour chaque heure supplémentaire (par côté)	Charbon pour la première heure (par côté)	Charbon à ajouter pour chaque heure supplémentaire (par côté)	Charbon pour la première heure (par côté)	Charbon à ajouter pour chaque heure supplémentaire (par côté)
20 briquettes (1 tasse)	7 briquettes (½ tasse)	20 briquettes (½ tasse)	7 briquettes (½ tasse)	1 tasse (0,36 kg)	1 poignée	¾ tasse	1 poignée

*Lorsque vous mesurez les quantités de charbon de bois, utilisez la tasse de mesure de charbon fournie avec votre barbecue.

Préparer le barbecue pour l'allumage

1. Ouvrez le couvercle.
2. Retirez la grille de cuisson du barbecue. Pour plus de commodité, suspendez la grille de cuisson sur la cuve de votre barbecue par ses poignées incurvées (A).
3. Retirez la grille foyère (inférieure) et enlevez les cendres et les vieux morceaux de charbon gisant dans le fond de la cuve. Le charbon a besoin d'oxygène pour brûler, donc veillez à ce que rien n'obstrue les orifices de ventilation. Faites glisser la poignée du système de nettoyage ONE-TOUCH d'avant en arrière afin d'envoyer les cendres gisant au fond du barbecue dans le cendrier (B).
4. Serrez la poignée du cendrier pour le retirer du barbecue (C).
5. Ouvrez l'orifice d'aération de la cuve en déplaçant la poignée complètement vers la droite (D) ou en la plaçant en position ouverte (E).
6. Réinstallez la grille foyère (inférieure).

Remarque : Les instructions sur l'utilisation de liquide d'allumage ont été volontairement exclues de manuel du propriétaire. Le liquide d'allumage est salissant et peut donner un goût chimique aux aliments, contrairement aux cubes d'allumage (vendus séparément). Si vous choisissez d'utiliser du liquide d'allumage, suivez les instructions du fabricant et ne le versez JAMAIS sur un feu brûlant.





Allumer le charbon à l'aide d'une cheminée d'allumage

Le moyen le plus simple d'allumer tout type de charbon est d'utiliser une cheminée d'allumage, comme la cheminée d'allumage WEBER RAPIDFIRE (vendue séparément). Veuillez consulter les mises en garde et avertissements concernant la cheminée d'allumage RAPIDFIRE avant de l'allumer. Lors de l'allumage du combustible, assurez-vous que les registres sont complètement ouverts.

1. Mettez quelques feuilles de papier journal chiffonnées dans le fond de la cheminée d'allumage et posez cette dernière sur la grille foyère (A); ou mettez quelques cubes d'allumage au centre de la grille foyère et placez la cheminée d'allumage par-dessus.
2. Remplissez la cheminée d'allumage de charbon (B).
3. Allumez les cubes d'allumage ou le papier journal à travers les trous de la cheminée d'allumage (C).
4. Laissez la cheminée d'allumage en place jusqu'à ce que le charbon soit bien allumé. Le charbon est entièrement allumé lorsqu'il est recouvert d'une couche de cendre blanche. Cela peut prendre entre 15 et 30 minutes. Ne fermez jamais le couvercle avec la cheminée d'allumage dans le barbecue.

Remarque : Vous devez attendre que les cubes d'allumage soient entièrement consumés et le charbon recouvert de cendre avant de mettre des aliments sur la grille de cuisson.

5. Une fois le charbon bien allumé, passez aux pages suivantes pour savoir comment disposer votre charbon et commencez la cuisson selon la méthode de cuisson souhaitée.

Allumer le charbon à l'aide de cubes d'allumage

Lors de l'allumage du charbon, assurez-vous que tous les registres du couvercle et de la cuve sont complètement ouverts.

1. Faites une pyramide de charbon au centre de la grille foyère (inférieure) et insérez quelques cubes d'allumage (vendus séparément) au centre de la pyramide (D).
2. Allumez les cubes d'allumage à l'aide d'un briquet allumage-gaz ou d'une longue allumette. Les cubes d'allumage enflammeront le charbon.
3. Attendez que le charbon soit entièrement allumé. Le charbon est entièrement allumé lorsqu'il est recouvert d'une couche de cendre blanche. Cela peut prendre entre 15 et 30 minutes.

Remarque : Vous devez attendre que les cubes d'allumage soient entièrement consumés et le charbon recouvert de cendre avant de mettre des aliments sur la grille de cuisson.

4. Une fois le charbon bien allumé, passez aux pages suivantes pour savoir comment disposer le combustible et commencez la cuisson selon la méthode de cuisson souhaitée.

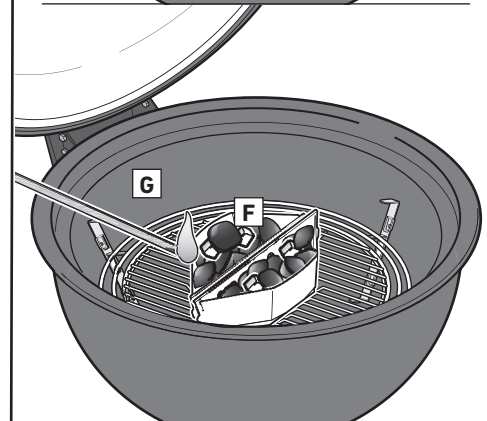
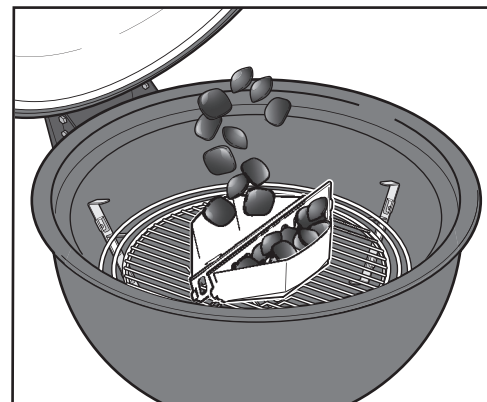
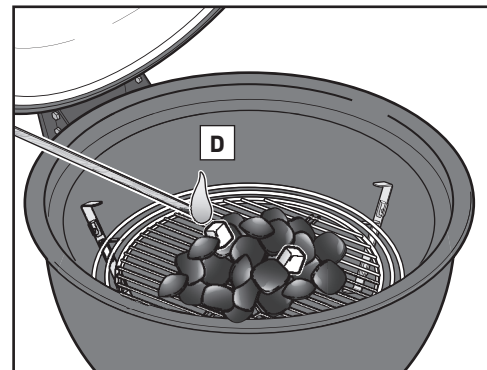
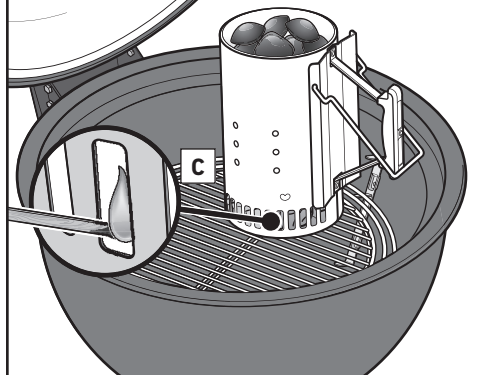
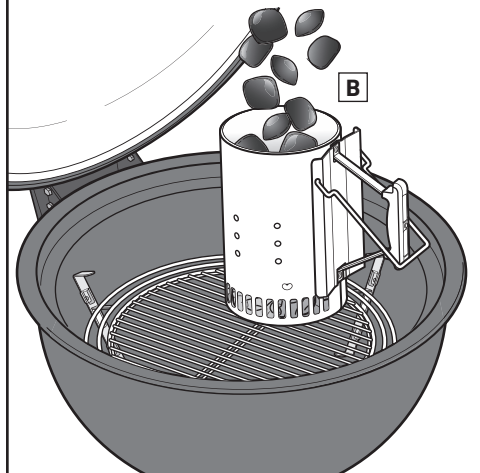
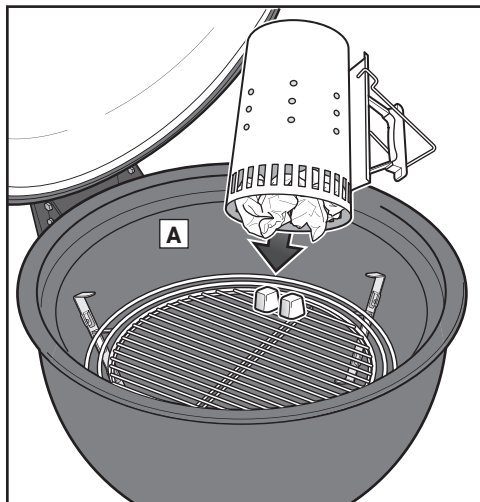
Allumer le charbon à l'aide des paniers à charbon Char-Basket

Lors de l'allumage du charbon, assurez-vous que tous les registres du couvercle et de la cuve sont complètement ouverts.

1. Placez les paniers à charbon Char-Basket au centre de la grille foyère et remplissez ceux-ci de charbon (E).
2. Ajoutez quelques cubes d'allumage (vendus séparément) dans chacun des paniers à charbon Char-Basket (F). Veillez à les nicher dans le charbon.
3. Allumez les cubes d'allumage à l'aide d'un briquet allumage-gaz ou d'une longue allumette. Les cubes d'allumage enflammeront le charbon (G).
4. Attendez que le combustible soit entièrement allumé. Le charbon est entièrement allumé lorsqu'il est recouvert d'une couche de cendre blanche. Cela peut prendre entre 15 et 30 minutes.

Remarque : Vous devez attendre que les cubes d'allumage soient entièrement consumés et le charbon recouvert de cendre avant de mettre des aliments sur la grille de cuisson.

5. Une fois le charbon bien allumé, passez aux pages suivantes pour savoir comment disposer votre charbon et commencez la cuisson selon la méthode de cuisson souhaitée.



⚠ Portez des maniques ou gants thermorésistants pour barbecue pendant la cuisson, pour ajuster les clapets de ventilation, ajouter du charbon et manipuler le thermomètre ou le couvercle.

⚠ Ne fermez jamais le couvercle avec la cheminée d'allumage dans le barbecue.



ALLUMAGE DU BRÛLEUR - SYSTÈME D'ALLUMAGE AU GAZ SNAP-JET

MÉTHODES D'ALLUMAGE DU BRÛLEUR

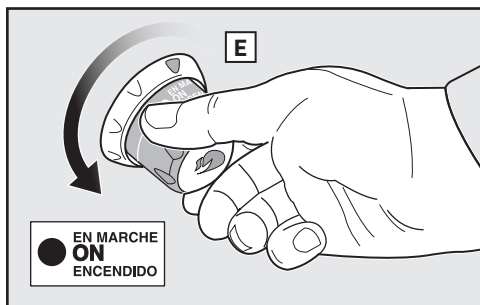
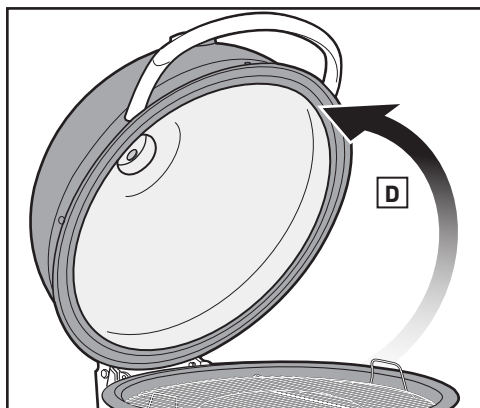
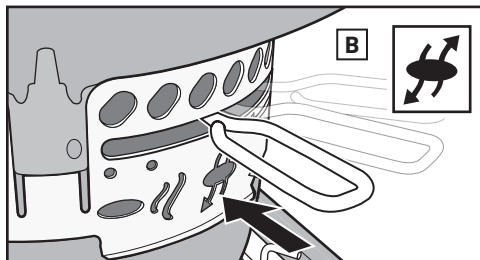
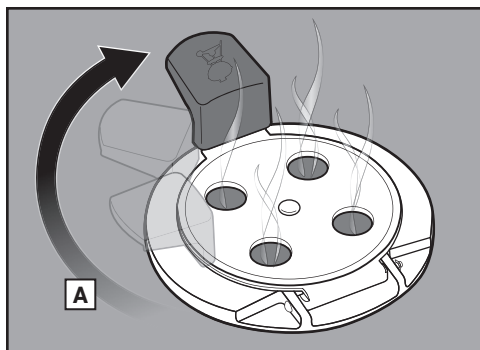
Il y a deux façons d'allumer le brûleur. La première consiste à utiliser le système d'allumage au gaz Snap-Jet intégré dans le bouton de commande du brûleur de votre barbecue. La seconde est avec une allumette.

Suivent les étapes pour allumer votre barbecue à l'aide du système d'allumage au gaz Snap-Jet. Sur la page suivante, vous trouverez des étapes pour allumer votre barbecue avec une allumette.

Des instructions d'allumage résumées se trouvent également sur le boîtier d'allumage.

Allumage du brûleur - Allumage avec système d'allumage au gaz Snap-Jet

1. Tournez le registre de couvercle RAPIDFIRE en position ouverte (A).
2. Placez le registre de la cuve en position ouverte (B).
3. Assurez-vous que le bouton de commande du brûleur est tourné en position ARRÊT (○) (C). Vérifiez en appuyant sur le bouton de commande du brûleur, puis le tourner dans le sens des aiguilles d'une montre jusqu'à ce qu'il s'arrête.
4. Confirmez que la bouteille est correctement installée. Consultez « Installation de la bouteille de propane liquide. »
5. Ouvrez le couvercle du barbecue (D).



⚠ DANGER

Le fait de ne pas ouvrir le couvercle avant d'allumer le brûleur du barbecue, ou de ne pas attendre cinq minutes pour permettre au gaz de se dissiper si le barbecue ne s'allume pas, peut entraîner une flambée explosive pouvant entraîner de graves blessures voire la mort.

6. Placez le charbon sur la grille foyère. Référez-vous aux sections « MÉTHODES DE CUISSON » pour un placement correct de la grille foyère et du charbon de bois.
 7. Appuyez sur le bouton de commande, puis tournez-le lentement dans le sens contraire des aiguilles d'une montre jusqu'à la position marche (●) (E). Un clic provenant du système d'allumage se fera entendre. Répétez jusqu'à ce que le brûleur s'allume.
 8. Vérifiez que le brûleur est allumé en voyant une flamme.
- ⚠ **AVERTISSEMENT** : Si le brûleur ne s'allume pas dans un délai de cinq secondes, arrêtez-vous, tournez le bouton de commande du brûleur à arrêt et attendez cinq minutes afin de permettre au gaz de se dissiper avant de réessayer ou de l'allumer avec une allumette.
- ⚠ **AVERTISSEMENT** : Ne vous penchez pas au-dessus du barbecue ouvert pendant que vous l'allumez.
- ⚠ **ATTENTION** : Les flammes peuvent être difficiles à voir par temps clair.
9. Tournez le bouton de commande du brûleur sur la position ARRÊT (○) après 12 à 14 minutes en cas de cuisson directe ou indirecte. Cependant, si vous fumez, tournez le bouton de commande du brûleur sur la position ARRÊT (○) après 7 à 10 minutes.

REMARQUE : Le brûleur est uniquement destiné à allumer du charbon, pas à la cuisson. Tournez rapidement le bouton de commande du brûleur après l'allumage du charbon pour préserver le combustible dans votre bouteille jetable.



Allumage du brûleur - Allumage avec une allumette

1. Tournez le registre de couvercle RAPIDFIRE en position ouverte (A).
2. Placez le registre de la cuve en position ouverte (B).
3. Assurez-vous que le bouton de commande du brûleur est tourné en position ARRÊT (○) (C). Vérifiez en appuyant sur le bouton de commande du brûleur, puis le tourner dans le sens des aiguilles d'une montre jusqu'à ce qu'il s'arrête.
4. Confirmez que la bouteille est correctement installée. Consultez « Installation de la bouteille de propane liquide. »
5. Ouvrez le couvercle du barbecue (D).

⚠ DANGER

Le fait de ne pas ouvrir le couvercle avant d'allumer le brûleur du barbecue, ou de ne pas attendre cinq minutes pour permettre au gaz de se dissiper si le barbecue ne s'allume pas, peut entraîner une flambée explosive pouvant entraîner de graves blessures voire la mort.

6. Référez-vous aux sections « MÉTHODES DE CUISSON » pour un placement correct de la grille foyère et du charbon de bois. Placez le charbon sur la grille foyère.
7. Insérez une allumette dans le porte-allumettes (fixé à l'intérieur de la porte) et allumez l'allumette. Insérez le porte-allumettes avec l'allumette allumée sous le charbon de bois à côté de l'extrémité du tube du brûleur (E).

⚠ **AVERTISSEMENT : Ne placez pas la main directement au-dessus du brûleur lorsque vous l'allumez avec une allumette.**

8. Appuyez sur le bouton de commande, puis tournez-le *lentement* dans le sens contraire des aiguilles d'une montre jusqu'à la position marche (●) (F).

9. Vérifiez que le brûleur est allumé en voyant une flamme.

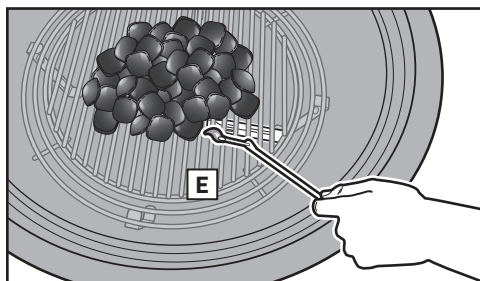
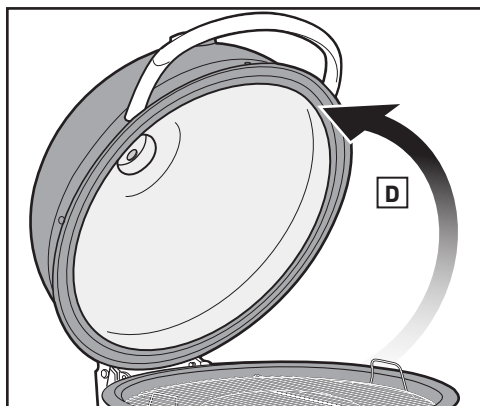
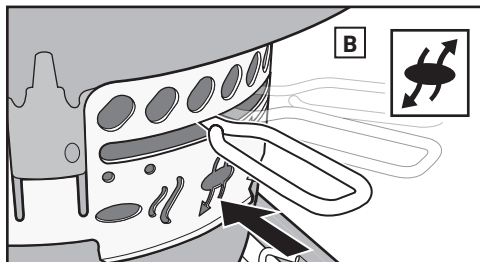
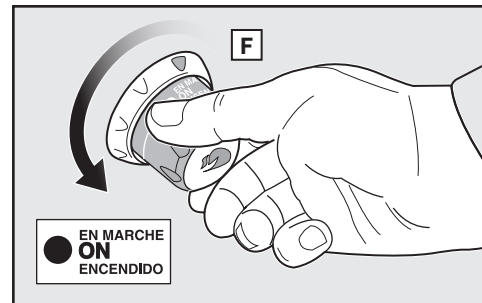
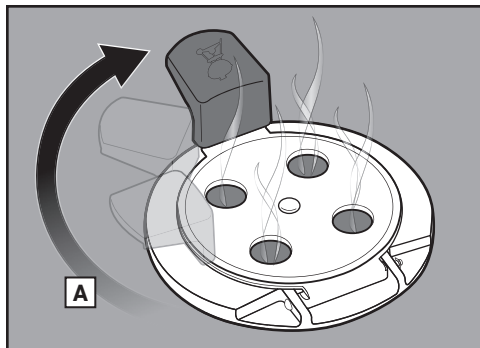
⚠ **AVERTISSEMENT : Si le brûleur ne s'allume pas dans un délai de cinq secondes, arrêtez-vous, tournez le bouton de commande du brûleur à arrêt et attendez cinq minutes afin de permettre au gaz de se dissiper avant de réessayer ou de l'allumer avec une allumette.**

⚠ **AVERTISSEMENT : Ne vous penchez pas au-dessus du barbecue ouvert pendant que vous l'allumez.**

⚠ **ATTENTION : Les flammes peuvent être difficiles à voir par temps clair.**

10. Tournez le bouton de commande du brûleur sur la position ARRÊT (○) après 12 à 14 minutes en cas de cuisson directe ou indirecte. Cependant, si vous fumez, tournez le bouton de commande du brûleur sur la position ARRÊT (○) après 7 à 10 minutes.

REMARQUE : Le brûleur est uniquement destiné à allumer du charbon, pas à la cuisson. Tournez rapidement le bouton de commande du brûleur après l'allumage du charbon pour préserver le combustible dans votre bouteille jetable.





MÉTHODES DE CUISSON — CUISSON DIRECTE

Le WEBER SUMMIT KAMADO accepte trois méthodes de cuisson : la cuisson directe, la cuisson indirecte et le fumage. Avant d'aller plus loin, choisissez la méthode que vous souhaitez appliquer et suivez les instructions correspondantes dans ce mode d'emploi.

N.B. : Un climat froid ou une altitude élevée augmentent les temps de cuisson. Les conditions climatiques venteuses augmenteront la température du barbecue.

MÉTHODE DE CUISSON DIRECTE

Utilisez la méthode directe pour les aliments tendres et de petite taille nécessitant moins de 20 minutes de cuisson, comme les hamburgers, steaks, côtelettes, brochettes, pièces de poulet désossées, filets de poisson, crustacés et légumes en tranches.

En cuisson directe, les flammes se trouvent directement sous les aliments (A). Elle permet d'en saisir l'extérieur, créant ainsi des saveurs, une texture et une caramélisation délicieuse, tout en le cuisant jusqu'à son cœur.

Une cuisson directe génère à la fois de la chaleur par rayonnement et par conduction. La chaleur par rayonnement provenant du charbon cuit rapidement la surface des aliments qui en sont proches. Pendant ce temps, le feu chauffe les tiges de la grille de cuisson, qui conduit la chaleur directement à la surface des aliments et créent ces marques de saisie inimitables.

Préparation du barbecue pour la cuisson directe

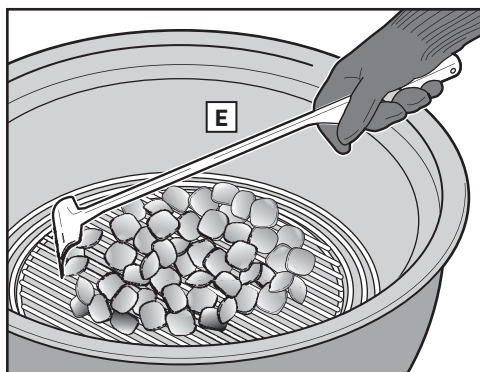
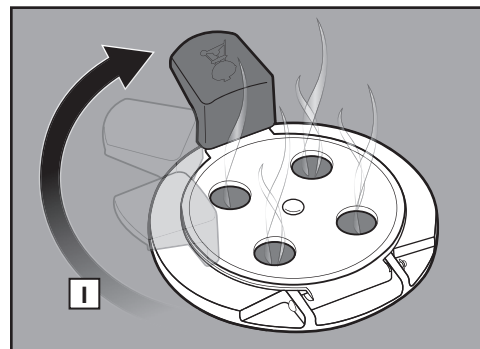
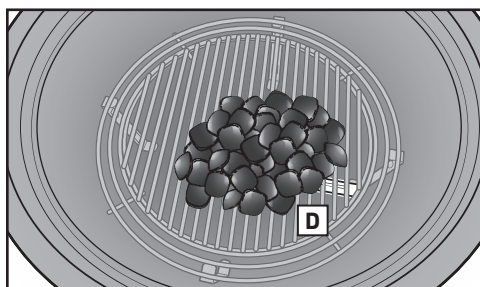
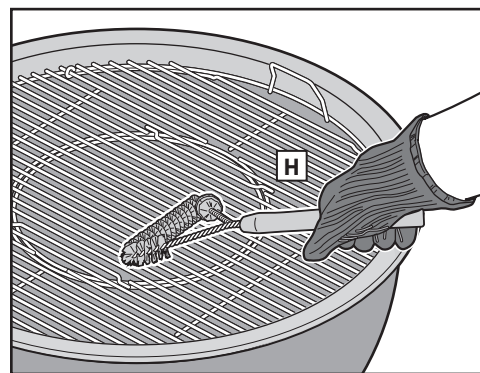
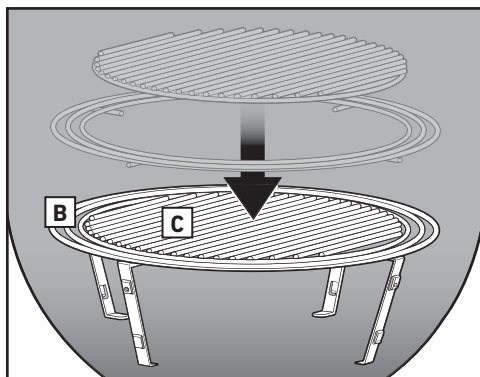
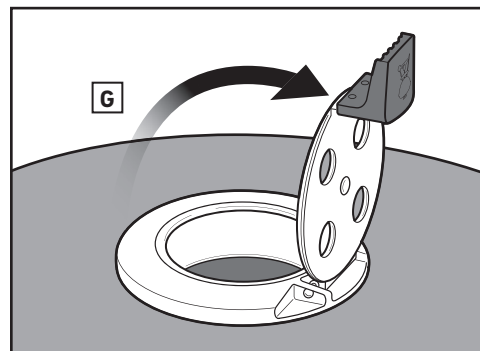
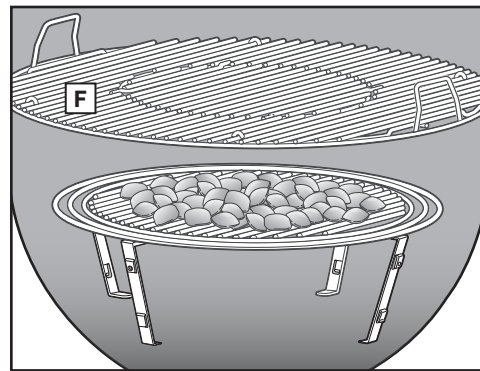
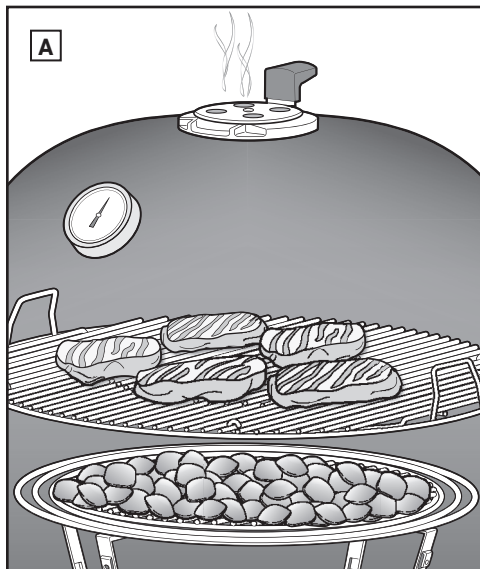
1. Disposez l'anneau de fixation central (B) en position moyenne dans la cuve, puis la grille foyère (C) au centre de l'anneau.
2. Entassez du charbon sur la grille foyère, au-dessus de l'extrémité du tube de brûleur (D)
3. Allumez le charbon. Reportez-vous à la section « SYSTÈME D'ALLUMAGE AU GAZ SNAP-JET » dans le présent mode d'emploi.

N.B. : Le couvercle, les clapets et les aérations doivent rester ouverts pendant l'allumage du charbon.

4. Une fois le charbon allumé, portez des maniques ou gants thermorésistants pour barbecue conformes à la norme EN 407, Chaleur de contact niveau 2 ou supérieur. À l'aide de longues pinces ou d'un râteau à charbon, répartissez le charbon de manière régulière sur la grille foyère (E). Veillez à ce que les charbons allumés soient en contact avec les charbons non allumés.
5. Placez la grille de cuisson en position haute dans la cuve (F).
6. Fermez le couvercle du barbecue et ouvrez le clapet de ventilation de couvercle RAPIDFIRE (G).
7. Faites préchauffer la grille de cuisson pendant environ 5 à 10 minutes ou jusqu'à atteindre la température de barbecue souhaitée.
8. Une fois que la grille de cuisson est chaude, nettoyez-la à l'aide d'une brosse pour grille à poils en acier inoxydable ou à l'aide d'un racloir (H).

N.B. : Utilisez une brosse pour grille à poils en acier inoxydable. Changez de brosse si vous trouvez des poils sur la grille de cuisson ou la brosse.

9. Placez les aliments sur la grille de cuisson et refermez le couvercle du barbecue. En faisant pivoter le clapet de ventilation de couvercle RAPIDFIRE, vous augmentez ou diminuez la chaleur souhaitée dans le barbecue (I). Reportez-vous à votre recette pour connaître le temps et la température de cuisson recommandés. Reportez-vous au thermomètre du couvercle pour connaître la température interne souhaitée du barbecue.



Une fois la cuisson terminée

Fermez le clapet de ventilation de couvercle et les aérations de cuve afin d'éteindre le charbon.



MÉTHODE DE CUISSON INDIRECTE

Utilisez la méthode indirecte pour des grosses pièces de viande nécessitant au moins 20 minutes de cuisson, ou des aliments si délicats qu'une exposition directe à la chaleur les dessècherait ou les brûlerait, comme les rôtis, pièces de volaille non désossées, poissons entiers, filets délicats de poisson et poulets, dindes et côtes entières. La cuisson indirecte peut aussi servir à finir de cuire les aliments plus épais ou les pièces non désossées ayant d'abord été saisies ou dorées par cuisson directe.

Avec la cuisson indirecte, la chaleur vient d'un ou des deux côtés du barbecue. (A) Les aliments sont disposés sur la partie de la grille de cuisson au-dessous de laquelle il n'y a pas de charbon.

La chaleur par rayonnement et conduction joue un rôle, qui est cependant réduit en cuisson indirecte. Toutefois, si le couvercle du barbecue est fermé (comme nous le recommandons), une autre chaleur est générée : la chaleur par convection. Il s'agit là de chaleur qui monte, se réfléchit sur le couvercle et dans les surfaces du barbecue, puis circule pour cuire les aliments lentement et uniformément de tous les côtés.

La chaleur par convection ne saisit pas la surface de l'aliment comme le ferait la chaleur par rayonnement ou par conduction : elle le cuit en douceur jusqu'en son cœur, à l'instar de la chaleur d'un four.

Préparation du barbecue pour la cuisson indirecte

1. Disposez l'anneau de fixation central (B) en position moyenne dans la cuve, puis la grille foyère (C) au centre de l'anneau.
2. Répartissez du charbon dans les paniers à charbon CHAR-BASKETS sur la grille foyère, au-dessus de l'extrémité du tube de brûleur (D). Disposez-les de sorte qu'ils soient le long du tube.
3. Allumez le charbon. Reportez-vous à la section « SYSTÈME D'ALLUMAGE AU GAZ SNAP-JET » dans le présent mode d'emploi.

N.B. : Le couvercle, les clapets et les aérations doivent rester ouverts pendant l'allumage du charbon.

4. Une fois le charbon allumé, portez des maniques ou gants thermorésistants pour barbecue conformes à la norme EN 407, Chaleur de contact niveau 2 ou supérieur. À l'aide d'une longue pince, déplacez les paniers à charbon CHAR-BASKETS de sorte qu'ils soient des deux côtés des aliments (E).

N.B. : Placez une barquette jetable entre les paniers à charbon Char-Basket afin de récupérer les gouttes et ainsi minimiser le temps nécessaire au nettoyage.

N.B. : Autre possibilité, ce barbecue dispose de suffisamment d'espace de cuisson pour utiliser simultanément les méthodes directe et indirecte. En disposant les deux paniers à charbon CHAR-BASKETS d'un côté du barbecue, vous pouvez faire de la cuisson directe au-dessus de ceux-ci et utiliser le reste de la grille de cuisson pour la cuisson indirecte.

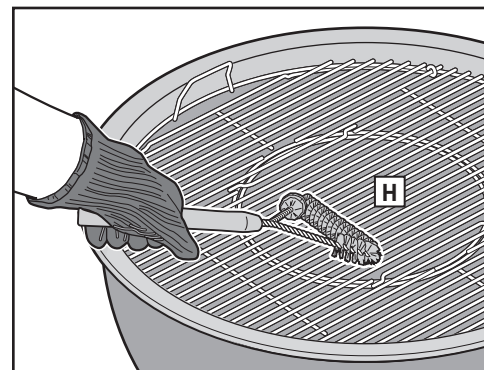
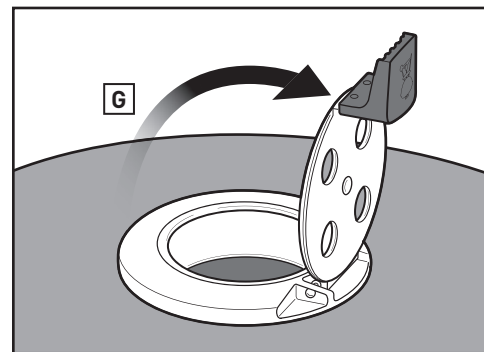
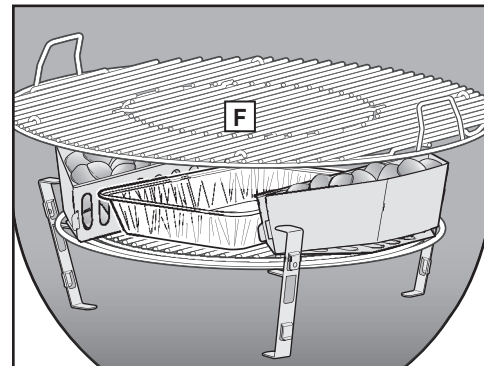
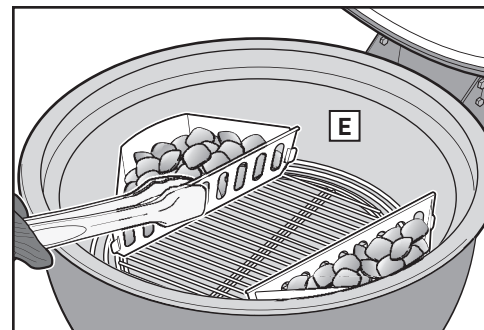
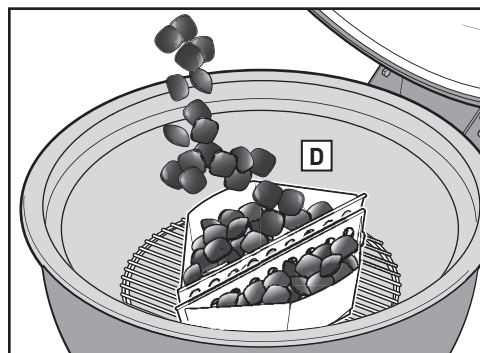
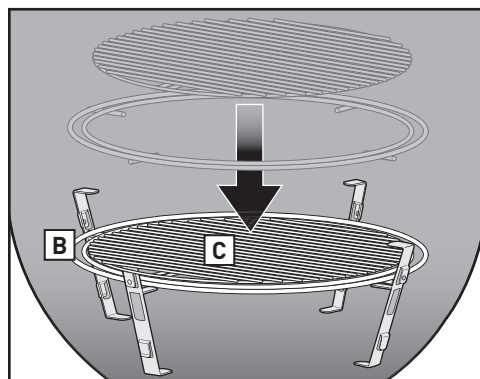
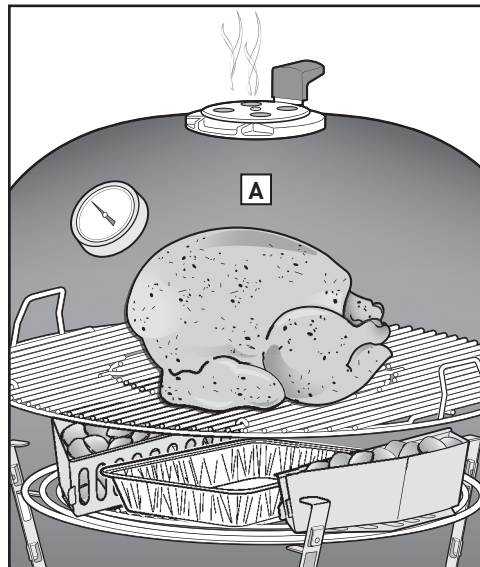
5. Placez la grille de cuisson en position haute dans la cuve (F).
6. Fermez le couvercle du barbecue et ouvrez le clapet de ventilation de couvercle RAPIDFIRE (G).
7. Faites préchauffer la grille de cuisson pendant environ 5 à 10 minutes ou jusqu'à atteindre la température de barbecue souhaitée.
8. Une fois que la grille de cuisson est chaude, nettoyez-la à l'aide d'une brosse pour grille à poils en inox ou à l'aide d'un racloir (H).

N.B. : Si vous employez une brosse pour grille aux poils en acier inoxydable, remplacez la brosse dès que vous commencez à retrouver des poils détachés sur la grille ou sur la brosse.

9. Placez les aliments sur la grille de cuisson entre les paniers à charbon CHAR-BASKETS et fermez le couvercle du barbecue. En faisant pivoter le clapet de ventilation de couvercle RAPIDFIRE, vous augmentez ou diminuez la chaleur souhaitée dans le barbecue (I). Reportez-vous à votre recette pour connaître le temps et la température de cuisson recommandés. Reportez-vous au thermomètre du couvercle pour connaître la température interne souhaitée du barbecue.

Une fois la cuisson terminée

Fermez le clapet de ventilation de couvercle et les aérations de cuve afin d'éteindre le charbon.





MÉTHODES DE CUISSON — FUMAGE

FUMAGE

Le fumage consiste à cuire des aliments à basse température, pendant une période prolongée, en utilisant des morceaux ou des copeaux de bois dur véritable (A). Cette technique est d'ailleurs également appelée « cuisson lente et à basse température ». Vos aliments conservent ainsi leurs sucs et saveurs afin d'obtenir une viande extrêmement tendre. Le fumage est idéal pour les grosses pièces comme la poitrine, la dinde, l'échine de porc, les travers de porc et les poulets entiers.

N.B. : Un climat froid ou une altitude élevée augmentent les temps de cuisson. Les conditions climatiques venteuses augmenteront la température du barbecue.

Préparation du barbecue pour le fumage

1. Disposez la grille foyère (B) en position basse dans la cuve, puis l'anneau de fixation central en position moyenne dans la cuve (C).

N.B. : 35 à 45 briquettes fourniront 8 à 10 heures de cuisson. Pour les aliments qui nécessitent une cuisson plus longue, plus de charbon sera nécessaire. Pour plus d'informations, reportez-vous au tableau « Temps de cuisson et de fumage ».

2. Entassez du charbon sur la grille foyère, au-dessus de l'extrémité du tube de brûleur (D)
3. Allumez le charbon. Reportez-vous à la section « SYSTÈME D'ALLUMAGE AU GAZ SNAP-JET » dans le présent mode d'emploi.

N.B. : Le couvercle, les clapets et les aérations doivent rester ouverts pendant l'allumage du charbon.

4. Une fois le charbon allumé, portez des maniques ou gants thermorésistants pour barbecue conformes à la norme EN 407, Chaleur de contact niveau 2 ou supérieur. À l'aide d'une longue pince, ajoutez des morceaux ou copeaux de bois de fumage WEBER autour du charbon allumé (E).
5. Positionnez la plaque de diffusion dans l'anneau de fixation central (F).

N.B. : Placez une barquette jetable sur la plaque de diffusion afin de récupérer les gouttes et ainsi minimiser le temps nécessaire au nettoyage. Utilisez deux barquettes lorsque vous fumez de grandes pièces de viande.

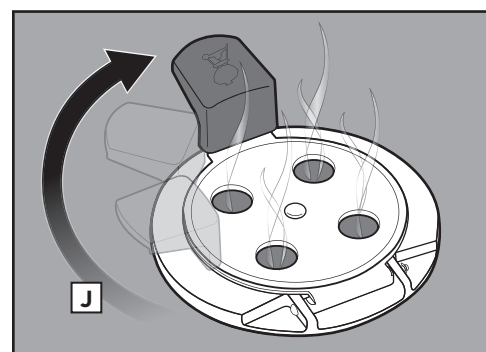
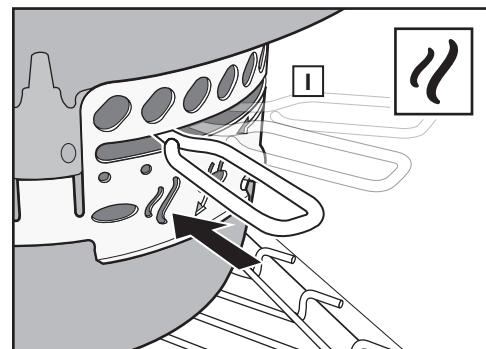
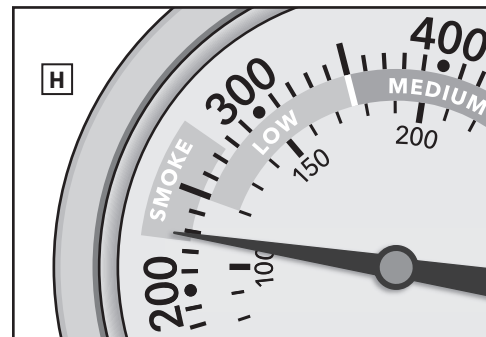
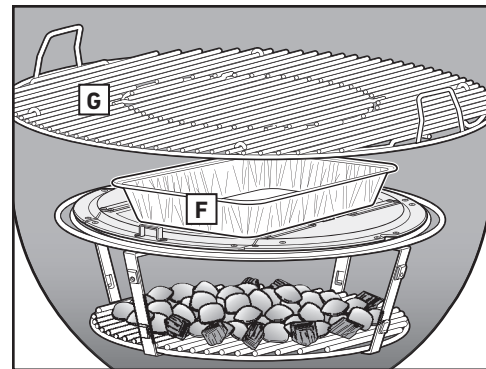
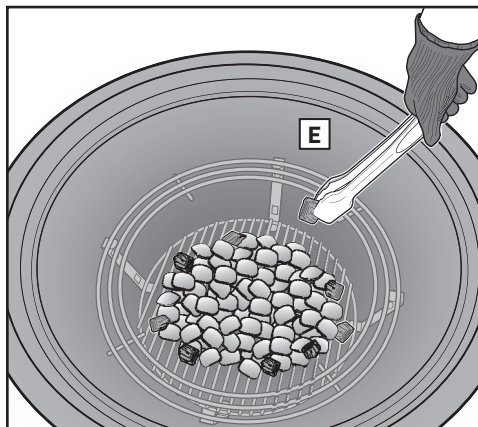
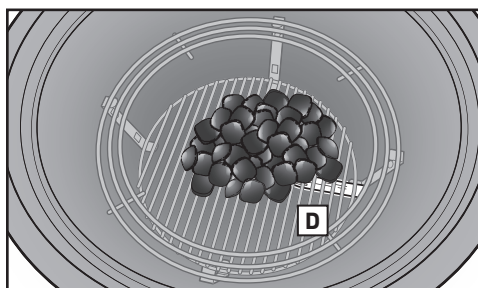
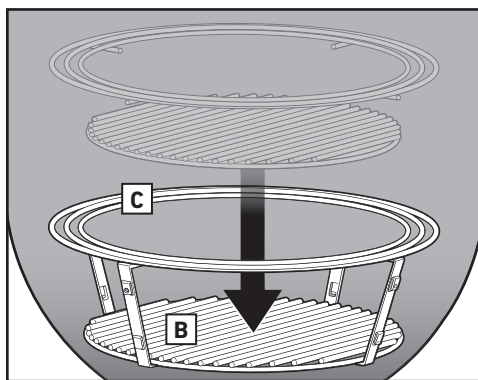
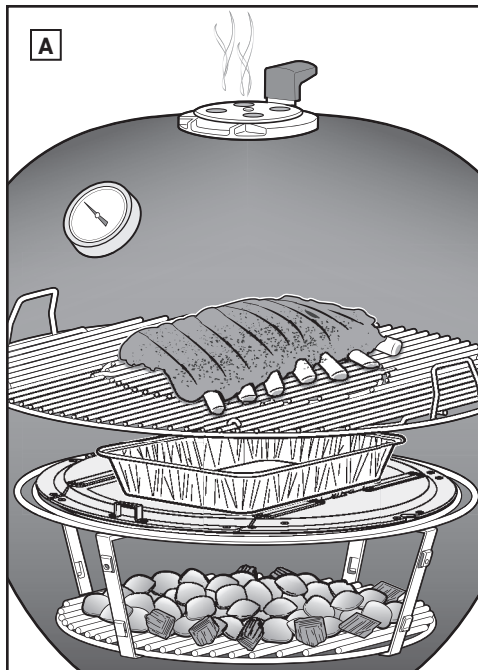
6. Placez la grille de cuisson en position haute dans la cuve (G).
7. Fermez le couvercle du barbecue.
8. Quand le barbecue a atteint la plage du thermomètre correspondant au fumage (H), faites glisser la poignée du clapet de cuve pour la mettre en position de fumage (I) et faites pivoter le clapet de ventilation de couvercle RAPIDFIRE (J) afin de maintenir la température de fumage recommandée.
9. Ouvrez le couvercle du barbecue et nettoyez la grille de cuisson à l'aide d'une brosse pour grille de cuisson à poils en acier inoxydable ou à l'aide d'un grattoir.

N.B. : Si vous employez une brosse pour grille aux poils en acier inoxydable, remplacez la brosse dès que vous commencez à retrouver des poils détachés sur la grille ou sur la brosse.

10. Déposez les aliments au centre de la grille de cuisson. Reportez-vous à votre recette pour connaître le temps de cuisson recommandé.

Une fois la cuisson terminée

Fermez le clapet de ventilation de couvercle et les aérations de cuve afin d'éteindre le charbon.





Quantité de charbon pour les temps de fumage et de cuisson

	Poids	Temps de cuisson	Briquettes de charbon	Morceaux de bois
POISSON	0,45 - 1,36 kg (1 lb à 3 lb)	1 à 2½ heures	60 à 80 briquettes (1¾ tasse)	2 à 4
	1,36 - 2,7 kg (3 lb à 6 lb)	2½ à 4 heures	60 à 80 briquettes (1¾ tasse)	2 à 4
VOLAILLE	0,9 - 1,36 kg (2 lb à 3 lb)	2 à 3½ heures	60 à 80 briquettes (1¾ tasse)	1 à 3
	1,81 - 3,62 kg (4 lb à 8 lb)	3½ à 4 heures	80 à 100 briquettes (2¾ tasses)	2 à 4
	3,62 - 5,44 kg (8 lb à 12 lb)	4 à 5 heures	80 à 100 briquettes (2¾ tasses)	3 à 4
	5,44 - 8,1 kg (12 lb à 18 lb)	8 à 10 heures	100 à 120 briquettes (2¾ tasses)	3 à 5
PORC	1,81 - 3,62 kg (4 lb à 8 lb)	5 à 8 heures	80 à 100 briquettes (2¾ tasses)	3 à 4
	3,62 - 5,44 kg (8 lb à 12 lb)	8 à 12 heures	100 à 120 briquettes (2¾ tasses)	3 à 5
BŒUF	1,81 - 3,62 kg (4 lb à 8 lb)	7 à 12 heures	80 à 120 briquettes (2¾ tasses)	3 à 5
	3,62 - 5,44 kg (8 lb à 12 lb)	12 à 18 heures	120 à 140 briquettes (3¾ tasses)	3 à 5

Sauf indication contraire, les temps de cuisson du bœuf ont été établis selon la définition de « cuisson moyenne » établie par le Département de l'Agriculture des États-Unis (USDA). Les temps de cuisson indiqués concernent les aliments qui ont été complètement décongelés. Les poids, quantité de charbon et temps de cuisson suivants sont des guides et non des règles strictes. Des facteurs comme l'altitude, le vent et la température extérieure peuvent influencer sur le temps de cuisson.

⚠ **AVERTISSEMENT : N'utilisez jamais du charbon imbibé de liquide d'allumage.**

Arômes de bois pour fumage

Arômes de bois	Caractéristiques	Se marie bien avec
Pomme	SUBTIL Légèrement sucré avec arôme de fumée dense et fruité	Poisson Volaille Porc (jambon, en particulier) Légumes
Cerise	SUBTIL Légèrement sucré avec arôme de fumée fruité	Poisson Volaille Porc Légumes
Caryer	RICHE Prononcé et fumé avec un arôme semblable au bacon	Volaille Porc Bœuf
Hêtre	SUBTIL Délicat avec arôme fumé léger	Poisson Volaille Porc Agneau Légumes
Pacancier	RICHE Prononcé avec un arôme sucré idéal pour le fumage à très basse température	Poisson Volaille Porc Agneau Bœuf
Mesquite	PRONONCÉ Arôme de fumée prononcé avec arrière-goût légèrement amer	Porc Agneau Bœuf

TRUCS ET ASTUCES POUR RÉUSSIR VOS GRILLADES

Choisir un endroit adéquat

- Utilisez ce barbecue à l'extérieur seulement, dans un endroit bien aéré. Ne l'utilisez pas dans un garage, un bâtiment, un passage couvert ou tout autre espace clos.
- Installez toujours le barbecue sur une surface plane et sûre.
- N'utilisez pas le barbecue à moins de deux pieds d'un matériau combustible. Les matériaux combustibles incluent notamment les terrasses, les patios et les vérandas en bois naturel ou traité.

Préchauffer le barbecue

Le préchauffage du barbecue est un facteur clé pour la cuisson directe et indirecte; toutefois, il ne doit pas être effectué avant le fumage. Lorsque tout le charbon est ardent, la température sous le couvercle doit atteindre 500 °F après 7 à 10 minutes. La chaleur détache les restes d'aliments collés à la grille, ce qui facilite leur élimination à l'aide d'une brosse pour grille en acier inoxydable. De plus, le préchauffage du barbecue chauffe suffisamment la grille pour bien saisir les aliments et évite que ceux-ci n'y adhèrent.

Porter des gants

Portez toujours des gants ou des mitaines pour barbecue lorsque vous utilisez votre barbecue au charbon. Les orifices d'aération, registres, poignées et la cuve devenant chauds pendant la cuisson, veillez à protéger vos mains et avant-bras.

Pas de combustible d'allumage, pas de problème

Si le réservoir de combustible est vide ou se situe à bas niveau, vous pouvez également allumer votre barbecue manuellement, comme tout autre barbecue au charbon de bois. WEBER recommande d'utiliser une cheminée d'allumage (vendue séparément) et des cubes d'allumage (vendus séparément) pour allumer manuellement le charbon. Évitez d'utiliser du liquide d'allumage, car il peut donner un arrière-goût chimique à vos aliments.

Huiler les aliments et non la grille

En huilant légèrement vos aliments, vous ajoutez de la saveur et de l'humidité, tout en évitant que les aliments collent à la grille. Nous ne recommandons pas d'huiler la grille, car cela pourrait provoquer des flambées inutiles.

Fermer le couvercle

Gardez le couvercle fermé autant que possible pour les raisons suivantes :

1. Cela maintient la grille suffisamment chaude pour saisir les aliments lors de la cuisson directe.
2. Cela conserve le goût fumé qui se développe lorsque les graisses et sucs s'évaporent.
3. Cela évite les flambées en limitant l'apport en oxygène.

Utilisations correctes et incorrectes de la plaque de diffusion de chaleur

Lorsque vous fumez des aliments, la plaque de diffusion aide à maintenir des températures basses constantes et redirige la chaleur et la fumée autour des aliments. Toutefois, la plaque de diffusion peut également être utilisée lors de la cuisson indirecte pour maximiser l'espace de cuisson. Ne mettez jamais des aliments ou du combustible sur la plaque de diffusion.

Maîtriser le feu

Des flambées peuvent se produire. Elles permettent de saisir la surface des aliments que vous faites cuire. Cependant, trop de flambées peuvent faire brûler les aliments. Maintenir le couvercle fermé autant que possible permet de limiter l'apport en oxygène dans le barbecue, ce qui aide à éteindre les éventuelles flambées. Si les flammes deviennent incontrôlables, déplacez temporairement les aliments sur une zone de cuisson indirecte jusqu'à ce qu'elles s'éteignent.

Surveiller le temps et la température

Un climat froid ou une altitude élevée augmentent les temps de cuisson. Des vents forts augmentent la température du barbecue.

Garder le barbecue propre

Suivez ces quelques instructions d'entretien de base afin de conserver l'apparence et les performances de votre barbecue pendant des années. Veillez à retirer les amas de cendres et de charbon usagé du fond de la cuve et du cendrier avant chaque utilisation.

Fumage au bois

Expérimenter avec différents bois pour le fumage est encouragé afin de trouver l'équilibre parfait entre sucré et salé. Lorsque vous fumez pendant de longues périodes, veillez à toujours utiliser des morceaux de bois au lieu de copeaux de bois. Les morceaux permettent un fumage plus long qui pénètre lentement sur une longue période de cuisson. Les copeaux de bois fonctionnent mieux pour un temps de cuisson plus court parce qu'ils ne durent pas aussi longtemps pendant un fumage long.



NETTOYAGE DE L'INTÉRIEUR DU BARBECUE

Nettoyer l'intérieur de votre barbecue avant chaque utilisation est essentiel pour maintenir les performances de votre barbecue pendant des années.

⚠ AVERTISSEMENT : Éteignez barbecue et attendez qu'il refroidisse avant de le nettoyer soigneusement.

Nettoyage du couvercle

À l'occasion, vous pourriez remarquer des écaillures « semblables à de la peinture » à l'intérieur du couvercle. Lorsque le barbecue est utilisé, les vapeurs de graisse et de fumée se transforment lentement en carbone et se déposent à l'intérieur du couvercle. Ce dépôt finira par se décoller de la paroi, d'une façon semblable à de la peinture qui s'écaille. Ces dépôts ne sont pas toxiques, mais les écaillures pourraient tomber sur vos aliments si vous ne nettoyez pas le couvercle régulièrement.

Vous aurez besoin des éléments suivants : un tampon à récurer en maille de nylon non abrasif et un essuie-tout.

1. Enlevez la graisse carbonisée à l'intérieur du couvercle à l'aide d'un tampon à récurer (A). Pour minimiser l'accumulation future de graisse, essuyez l'intérieur du couvercle avec un essuie-tout après chaque utilisation; faites-le lorsque le barbecue est tiède (pas chaud) au toucher.

Nettoyage des grilles de cuisson et de la plaque de diffusion

Si vous avez nettoyé vos grilles de cuisson de manière routinière après le préchauffage, les débris sur vos grilles devraient être minimes. Vous devez également faire un effort pour réduire au minimum les débris et l'accumulation sur votre plaque de diffusion entre les repas. L'utilisation d'une lèche-frite jetable minimise la fréquence de nettoyage.

Vous aurez besoin des éléments suivants : une brosse pour grille à poils en acier inoxydable.

1. Avec les grilles installées dans le barbecue, enlevez les résidus à l'aide d'une brosse à poils en acier inoxydable (B).

⚠ ATTENTION : Vérifiez régulièrement que les brosses pour grille de cuisson ne perdent pas leurs poils ou ne présentent pas de signe d'usure excessive. Remplacez la brosse si vous détectez des poils lâches sur les grilles de cuisson ou la brosse. WEBER recommande d'acheter une nouvelle brosse à barbecue à poils en acier inoxydable chaque année, au début du printemps.

2. Retirez les grilles de cuisson.
3. Avec la plaque de diffusion installée dans le barbecue, enlevez les résidus de la plaque à l'aide d'une brosse à grille en acier inoxydable.
4. Retirez la plaque de diffusion de chaleur.
5. Avec la grille foyère installée dans le barbecue, enlevez les résidus à l'aide d'une brosse à grille en acier inoxydable.

Nettoyage rapide du tube du brûleur

Le tube de brûleur doit être vérifié périodiquement pour détecter une obstruction et nettoyé rapidement. Les instructions pour un nettoyage plus approfondi se trouvent dans la section ENTRETIEN ANNUEL.

Vous aurez besoin des éléments suivants : un nettoyeur pour tuyaux à fil chenillé et une brosse propre à barbecue à poils en acier inoxydable. N'utilisez pas une brosse qui a déjà servi à nettoyer les grilles de cuisson.

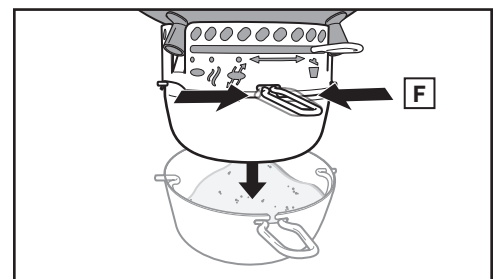
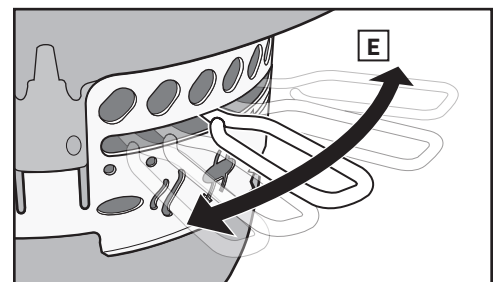
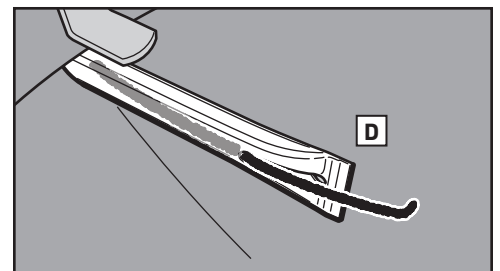
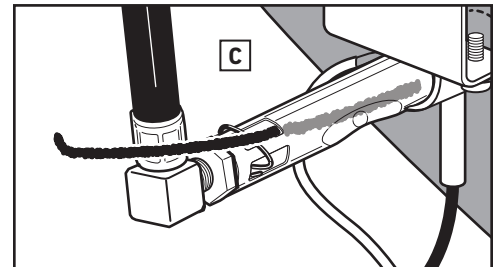
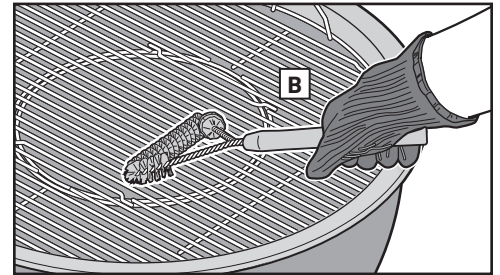
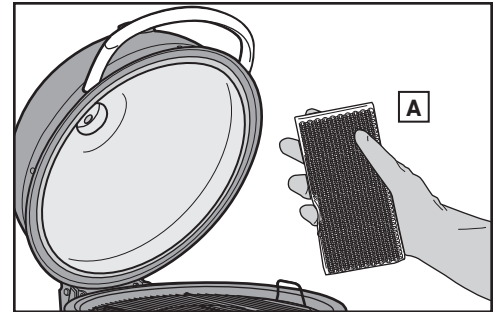
1. Insérez le nettoyeur de tuyaux par l'extrémité du tube du brûleur (C). Faites attention à ne pas endommager l'électrode d'allumage.

2. Insérez le nettoyeur de tuyaux dans les fentes du brûleur (D).
3. Brossez l'extérieur du tube du brûleur avec une brosse à poils en acier inoxydable.

Nettoyage de la cuve

Pour assurer un meilleur débit d'air et de meilleures performances de cuisson, retirez les amas de cendres et de charbon usagé du fond de la cuve et du cendrier avant chaque utilisation.

1. Ouvrez le couvercle et retirez les grilles de cuisson, la grille foyère et la plaque de diffusion.
2. Enlevez les cendres et les vieux morceaux de charbon du fond de la cuve. Le charbon a besoin d'oxygène pour brûler. Veillez donc à ce que rien n'obstrue les orifices de ventilation. Faites glisser la poignée du système de nettoyage ONE-TOUCH d'avant en arrière afin d'envoyer les cendres au fond du barbecue dans le cendrier (E).
3. Serrez la poignée du cendrier pour le retirer du barbecue (F).

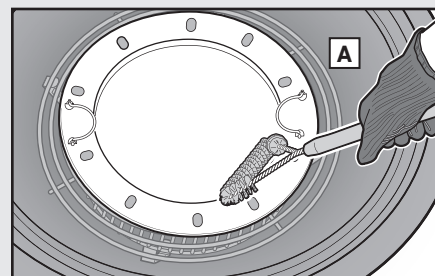


Méthode alternative de nettoyage de la plaque de diffusion

Afin d'éliminer d'importants amas sur la plaque de diffusion, vous pouvez la nettoyer quand elle est chaude.

Accessoires requis : Une brosse pour grille à poils en acier inoxydable.

1. Pendant le préchauffage du barbecue, quand la température est au maximum de 175 °C, éliminez les résidus de la plaque de diffusion à l'aide de la brosse pour grille à poils en acier inoxydable (A).





NETTOYAGE DE L'EXTÉRIEUR DU BARBECUE

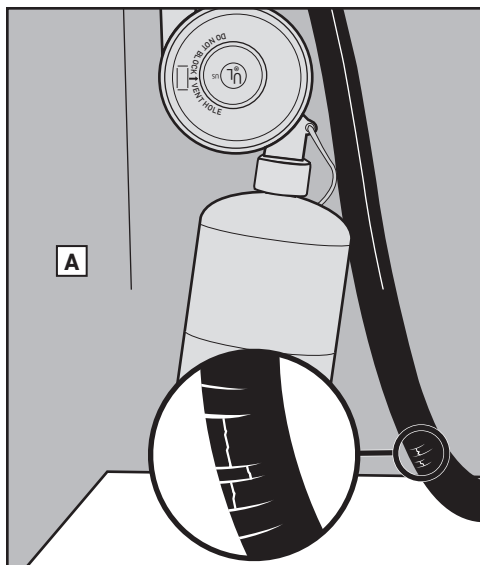
L'extérieur de votre barbecue peut comprendre des surfaces en acier inoxydable, en émail et en plastique. WEBER recommande d'utiliser les méthodes suivantes selon le type de surface. Avant toute chose, assurez-vous que toutes les braises sont totalement éteintes et que le barbecue est froid.

Surfaces en acier inoxydable

Nettoyez les surfaces en acier inoxydable à l'aide d'une solution de nettoyage ou de polissage non toxique et non abrasive pour acier inoxydable conçue pour les barbecues et autres appareils d'extérieur. Ne prenez pas le risque d'égratigner les surfaces en acier inoxydable en utilisant des pâtes abrasives qui ne nettoient ni ne polissent, mais modifient la couleur du métal en enlevant la revêtement supérieur d'oxyde de chrome. N'utilisez pas de serviette en papier.

Vous aurez besoin des éléments suivants : un chiffon en microfibre, un nettoyant pour acier inoxydable.

1. Pulvérisez le nettoyant sur les zones en acier inoxydable du barbecue. À l'aide d'un chiffon en microfibre, frottez dans le sens de l'acier inoxydable.



Surfaces peintes, en porcelaine émaillée et composants en plastique

Nettoyez les surfaces peintes et émaillées et les surfaces plastiques situées à l'extérieur de votre barbecue à l'eau savonneuse chaude.

Vous aurez besoin des éléments suivants : eau savonneuse tiède, des serviettes en papier ou un chiffon en microfibre.

1. Frottez les surfaces à l'eau savonneuse tiède. Rincez et séchez complètement.

⚠ IMPORTANT : N'utilisez aucun des éléments suivants pour nettoyer votre barbecue : des encaustiques ou des peintures abrasives pour acier inoxydable; des solutions nettoyantes qui contiennent de l'acide, de l'essence minérale ou du xylène; des produits nettoyants pour le four; des produits nettoyants abrasifs (nettoyants pour la cuisine) ou des tampons nettoyeurs abrasifs.

NETTOYAGE DE L'EXTÉRIEUR DE BARBECUES SITUÉS DANS DES ENVIRONNEMENTS PARTICULIERS

Si votre barbecue est soumis à des conditions particulièrement difficiles, il est recommandé d'en laver l'extérieur plus souvent. Les pluies acides, les produits chimiques pour piscine et l'eau salée peuvent entraîner la formation de rouille. Frottez l'extérieur de votre barbecue à l'eau savonneuse tiède. Ensuite, rincez-le et séchez-le minutieusement. Pour éviter la rouille superficielle, vous pouvez de plus appliquer un nettoyant pour acier inoxydable chaque semaine.

INSPECTION DU FLEXIBLE

1. Inspectez visuellement le flexible pour détecter tout signe de fissuration (A).

⚠ AVERTISSEMENT : Examinez le flexible afin de repérer tout signe d'entaille, de fissuration, d'abrasion ou de cassure. Si le flexible est endommagé de quelque façon que ce soit, n'utilisez pas le barbecue. Remplacez-le seulement par un flexible autorisé par WEBER. Communiquez avec le représentant du service à la clientèle de votre région à l'aide des coordonnées qui se trouvent sur notre site Web. Connectez-vous au site www.weber.com.



Afin de vous assurer que votre barbecue est aussi sûr et efficace qu'au premier jour, nous vous recommandons chaudement d'inspecter et nettoyer le tube de brûleur au moins une fois par an. Avec le temps, le type de brûleur (A) peut se salir et s'obstruer. Des araignées et insectes peuvent faire leur nid dans le venturi (B) du tube de brûleur, obligeant le gaz à refluer et à sortir par l'obturateur d'air (C). Des fentes de brûleur (D) sales voire obstruées peuvent restreindre le flux de gaz. Cela pourrait embraser l'intérieur et l'extérieur du tube de brûleur, ainsi que les alentours du boîtier d'allumage, entraînant d'importants dommages pour votre barbecue.

Parmi les symptômes courants d'un tube sale ou obstrué :

- Vous sentez une odeur de gaz et les flammes du brûleur sont très jaunes et irrégulières ;
- Le brûleur crépite.

⚠ DANGER

Si vous ne corrigez pas les problèmes décrits sur cette page, un incendie peut se déclarer et causer des blessures physiques graves voire la mort, ainsi que des dégâts matériels.

ASPECT DES FLAMMES DU BRÛLEUR

Le tube de brûleur de votre barbecue est conçu pour obtenir un mélange approprié d'air et de gaz. S'il fonctionne correctement, l'aspect des flammes sera normal. Leur extrémité (E) doit être jaune et dansante, leur corps (F) bleu foncé et la partie proche du tube de brûleur bleu clair (G). Si l'aspect des flammes ne correspond pas à cette description ou si vous entendez des crépitements, le brûleur pourrait avoir besoin d'un nettoyage.

NETTOYAGE MINUTIEUX DU TUBE DE BRÛLEUR

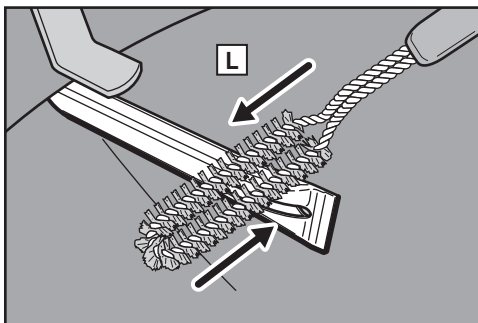
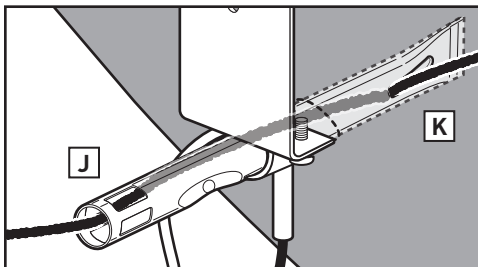
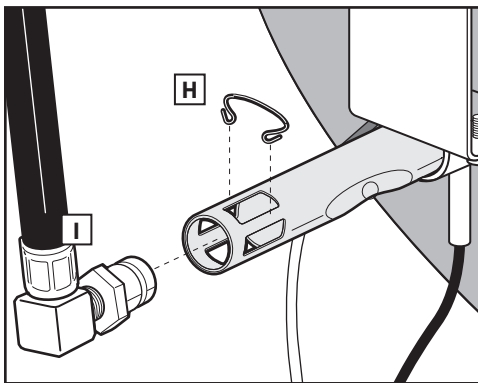
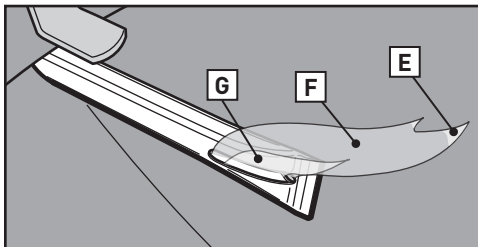
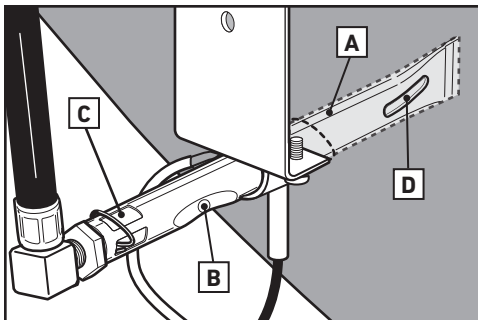
Accessoires requis : Vous aurez besoin d'une lampe de poche, de fil cure-pipe et d'une brosse pour grille à poils en acier inoxydable propre. N'utilisez pas une brosse qui a déjà servi à nettoyer des grilles de cuisson.

1. Vérifiez que le barbecue est éteint et froid.
2. Retirez l'agrafe de retenue (H) et le raccord de flexible (I) du tube de brûleur.
3. Inspectez l'intérieur du tube de brûleur à l'aide de votre lampe de poche et insérez le fil cure-pipe jusqu'au bout du tube de brûleur (J). Veillez à ne pas endommager l'électrode d'allumage.
4. Faites passer le fil cure-pipe dans les fentes de brûleur (K).
5. Nettoyez l'extérieur du tube de brûleur à l'aide de la brosse à poils en acier inoxydable (L).
6. Réinstallez le raccord de flexible et le cavalier sur le tube de brûleur.

⚠ **AVERTISSEMENT** : Avant utilisation, tirez sur le raccord de flexible pour vous assurer que le cavalier est bien en place et que le raccord est bien attaché dans le tube de brûleur.

APPELEZ LE SERVICE CONSOMMATEURS

Si vous rencontrez toujours des problèmes après avoir nettoyé le tube de brûleur, contactez le représentant du service consommateurs de votre région en vous référant aux coordonnées indiquées sur www.weber.com.



FONCTIONNEMENT DU SYSTÈME D'ALLUMAGE AU GAZ SNAP-JET

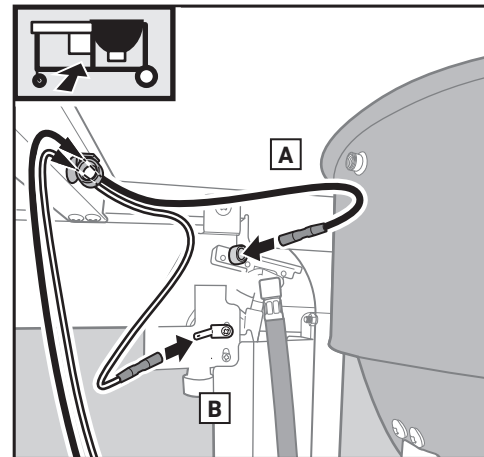
Le bouton de réglage gaz contient un module d'allumage. Celui-ci fait naître une étincelle au niveau de l'électrode d'allumage. Que vous souhaitiez effectuer un entretien de routine ou une vérification de dépannage sur le système d'allumage au gaz SNAP-JET, suivez les instructions ci-après afin de garantir le bon fonctionnement du système.

⚠ **AVERTISSEMENT** : Le bouton de réglage gaz doit être en position éteinte.

Si le barbecue ne s'allume pas lorsque vous enfoncez et tournez lentement le bouton de réglage gaz, il vous faudra identifier la source du problème, à savoir le débit de gaz ou le système d'allumage. Pour commencer, essayez d'allumer votre brûleur à l'aide d'une allumette. Consultez pour ce faire la section « ALLUMAGE DU BRÛLEUR – À l'aide d'une allumette ». Si vous parvenez à allumer le brûleur avec une allumette, le problème réside dans le système d'allumage au gaz SNAP-JET.

ENTRETIEN DES ÉLÉMENTS D'ALLUMAGE

1. Vérifiez que le barbecue est éteint et froid.
2. Vérifiez que le câble noir est branché à la borne rouge sur le robinet (A).
3. Vérifiez que le câble blanc est branché à la borne de terre sur la vis (B).

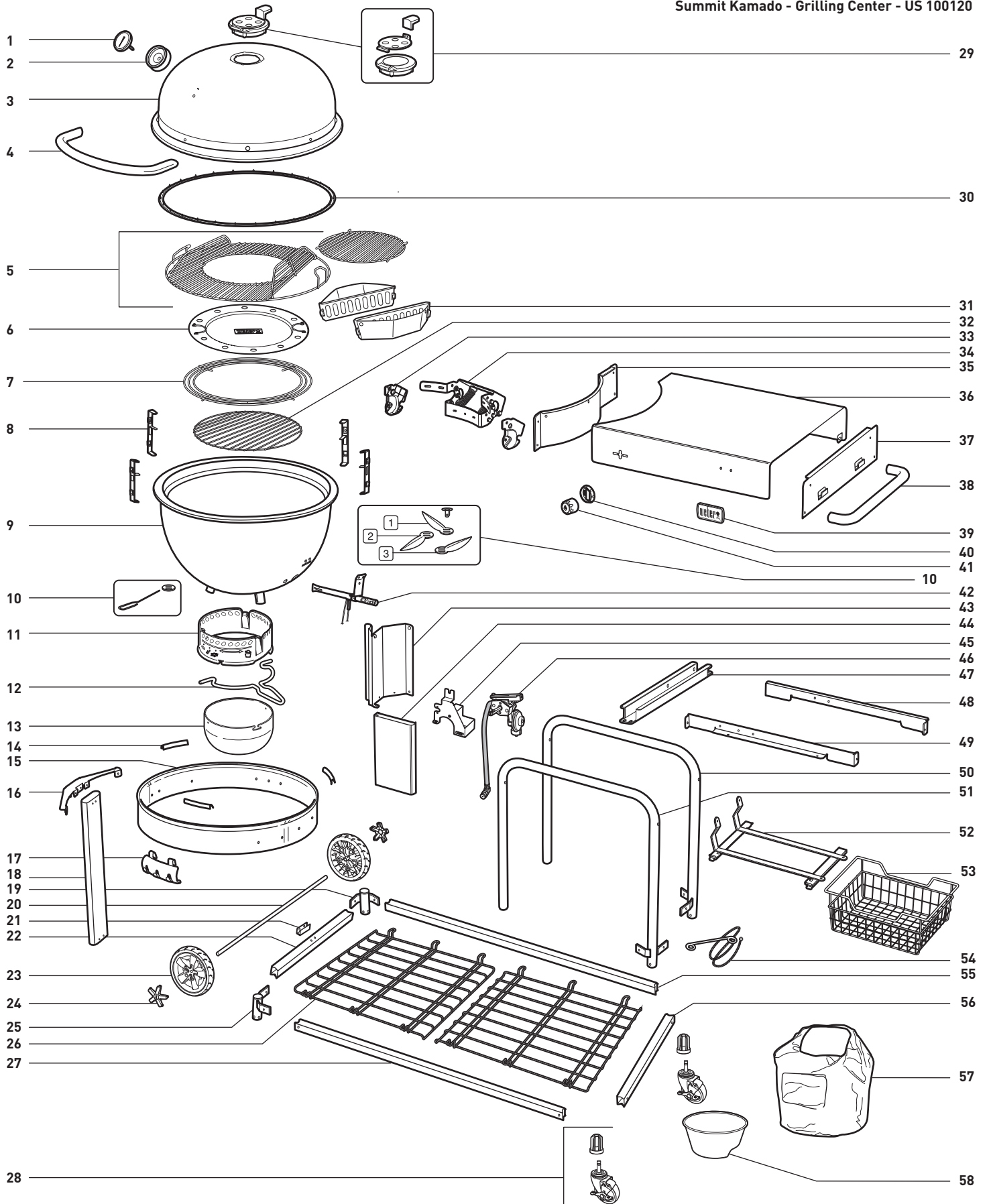




PIÈCES DE RECHANGE

FC

Summit Kamado - Grilling Center - US 100120



DÉPANNAGE GÉNÉRAL

Problèmes	Solutions
* Le brûleur ne s'allume pas lorsque vous enfoncez et tournez le bouton de réglage gaz.	* Assurez-vous que du gaz parvienne au brûleur en essayant de l'allumer à l'aide d'une allumette. Consultez pour ce faire la section « ALLUMAGE DU BRÛLEUR – À l'aide d'une allumette ». Si vous parvenez à allumer le brûleur avec une allumette, le problème réside dans le système d'allumage. Consultez la rubrique « FONCTIONNEMENT DU SYSTÈME D'ALLUMAGE AU GAZ SNAP-JET » dans la section « ENTRETIEN ». * Assurez-vous que les câbles sont bien insérés dans les bornes. Vérifiez que le câble noir est branché à la borne rouge sur le robinet. Vérifiez que le câble blanc est branché à la borne de terre sur la vis. Consultez la rubrique « ENTRETIEN DES ÉLÉMENTS D'ALLUMAGE » dans la section « ENTRETIEN ».
* Le brûleur ne s'allume pas ou la flamme est faible.	* Il est possible qu'il n'y ait guère ou plus de combustible. Changez la cartouche. Consultez pour ce faire la section « RETRAIT DE LA CARTOUCHE ».
* L'aspect des flammes du brûleur est irrégulier * La flamme du brûleur est jaune ou orange et il y a une odeur de gaz.	* Vérifiez que le tube de brûleur n'est pas obstrué. Consultez la section « ENTRETIEN ».
* L'intérieur du couvercle semble « s'écailler » (comme de la peinture qui s'écaille).	* L'intérieur du couvercle est en aluminium. Il n'est pas peint. Il ne peut pas « s'écailler ». Ce que vous voyez est en fait de la graisse brûlée qui s'est changée en carbone et qui se détache. CE N'EST PAS UN DÉFAUT. Nettoyez minutieusement. Consultez la rubrique « NETTOYAGE DE L'INTÉRIEUR DU BARBECUE » dans la section « ENTRETIEN ».

Si vous ne parvenez pas à résoudre des problèmes à l'aide de ces méthodes, contactez le représentant du service à la clientèle de votre région en vous référant aux coordonnées indiquées sur notre site Internet. Rendez-vous sur www.weber.com.



Weber-Stephen Products LLC
www.weber.com