

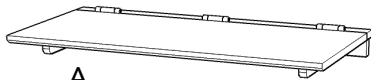
**IMPORTANT**

Carefully remove all the parts from the carton and place them individually on a soft cloth to prevent scratches or other damage.

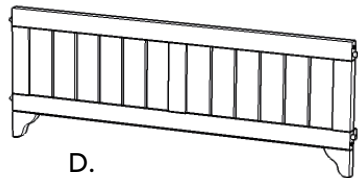
Carefully and strictly follow these assembly instructions to ensure a completed product as designed.

Do not use power tools above 8 volts to assemble.

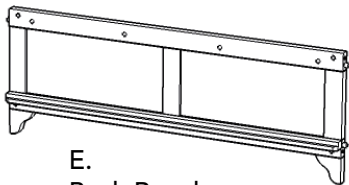
**Part List**



A.  
Seat  
1 pc.



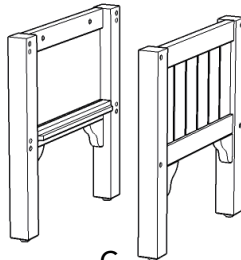
D.  
Front Panel  
1 pc.



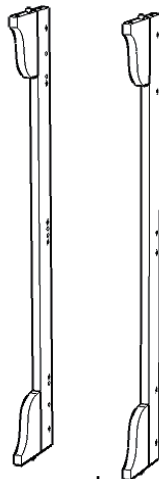
E.  
Back Panel  
1 pc.



F.  
Base  
1 pc.



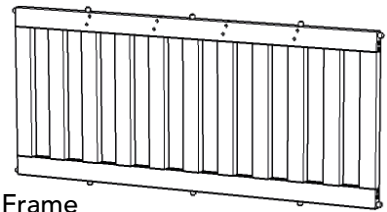
B. Side Panel 1 pc.  
C. Side Panel 1 pc.



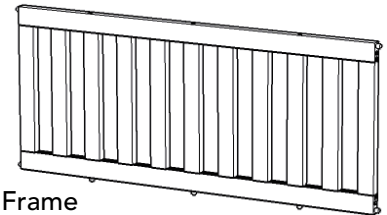
H. Side Panel 1 pc.  
I. Side Panel 1 pc.



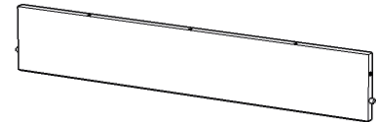
G.  
Top  
1 pc.



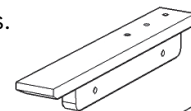
J.  
Back Frame  
1 pc.



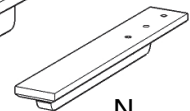
K.  
Back Frame  
1 pc.



L.  
Back Stretcher  
2 pcs.

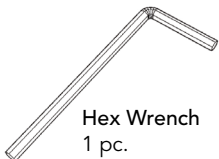


M.  
Arm  
1 pc.

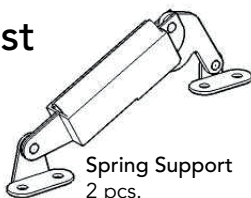


N.  
Arm  
1 pc.

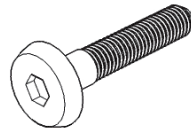
**Hardware List**



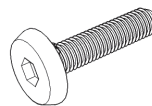
Hex Wrench  
1 pc.



Spring Support  
2 pcs.



M6x50  
Head Cap Bolt (long)  
8 pcs. (+1 extra)



M6x35  
Head Cap Bolt  
24 pcs. (+1 extra)



Hook  
4 pcs.



Wood Plug  
20 pcs. (+1 extra)



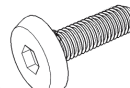
Small Hex Wrench  
1 pc.



M3.5x16  
Wood Screw  
for Spring Support  
8 pcs. (+1 extra)



Cross Dowel  
8 pcs. (+1 extra)



M6x30  
Head Cap Bolt (short)  
4 pcs. (+1 extra)



M4x16  
Wood Screw  
for Hook  
8 pcs. (+1 extra)

Tool(s) required for assembly: Phillips screwdriver, Level, Drill (8 volts or less), 3/8" Drill Bit

# Assembly Instructions 2/5

## IMPORTANT

- Use a soft cloth between these parts and the floor.
- Do not use power tools above 8 volts to assemble.
- Do not tighten all the bolts until each part is properly assembled.
- The unit must be level to work properly. Use the included adjustable levelers to level.
- Keep Hex Wrench in a safe place as the bolts may need to be tightened up in the future.

## STEP 1

Attach Side Panels (B) and (C) to Front Panel (D) and Back Panel (E) with Cross Dowels and Head Cap Bolts (long). (See Figure 1)

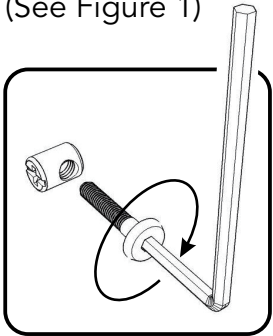
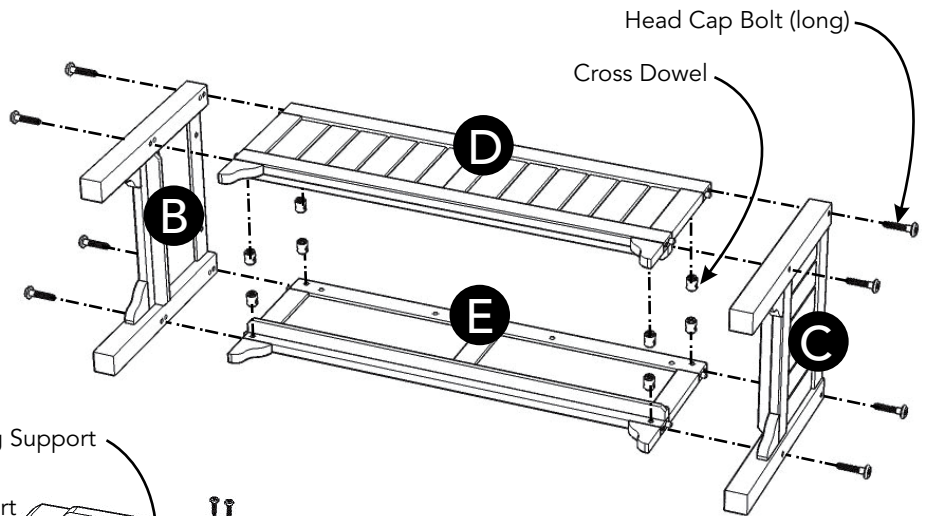


Figure 1



## STEP 2

Attach Spring Supports to Seat (A) by inserting Wood Screws for Spring Support into pre-drilled holes. (See Figure 2)

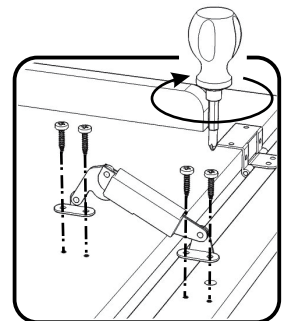
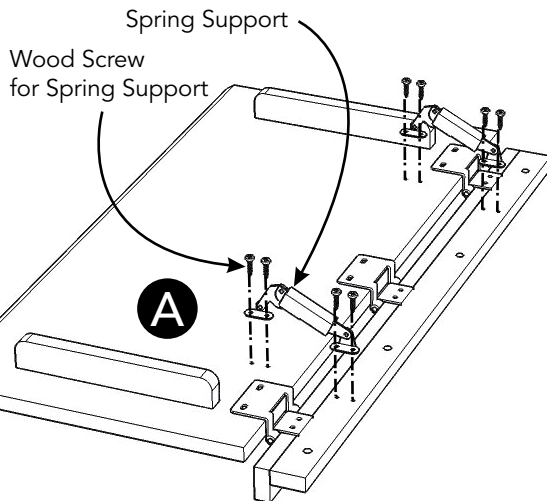


Figure 2

## STEP 3

Insert Base (F) into unit.

Attach Seat (A) to unit with Head Cap Bolts.

Cover all holes with Wood Plugs. (See Figure 3)

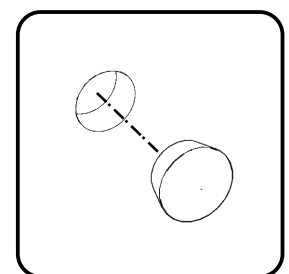
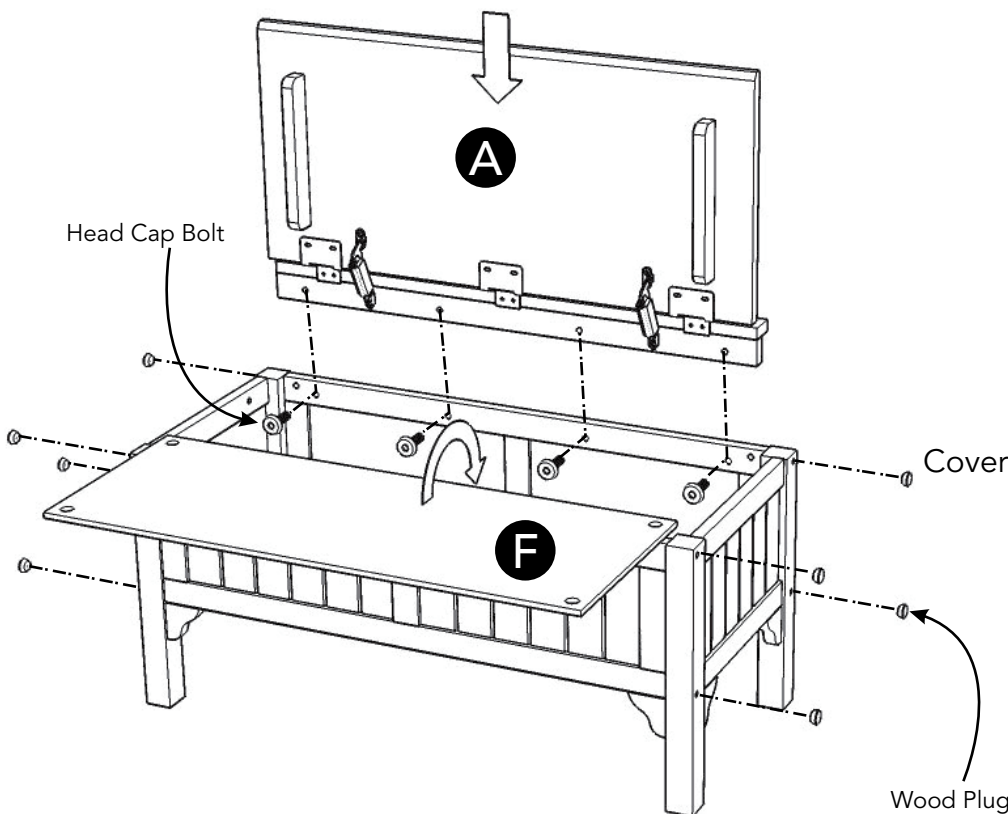


Figure 3

# Assembly Instructions 3/5

Wood Screws for Hook

Hook

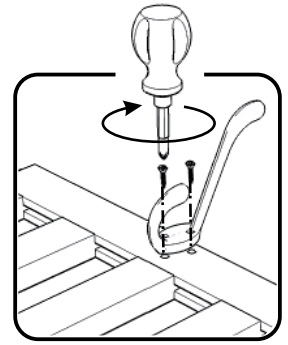
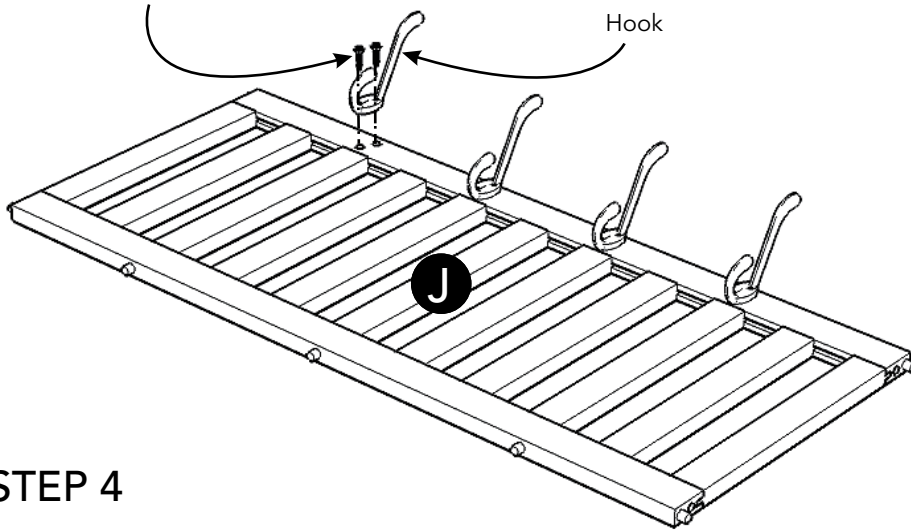
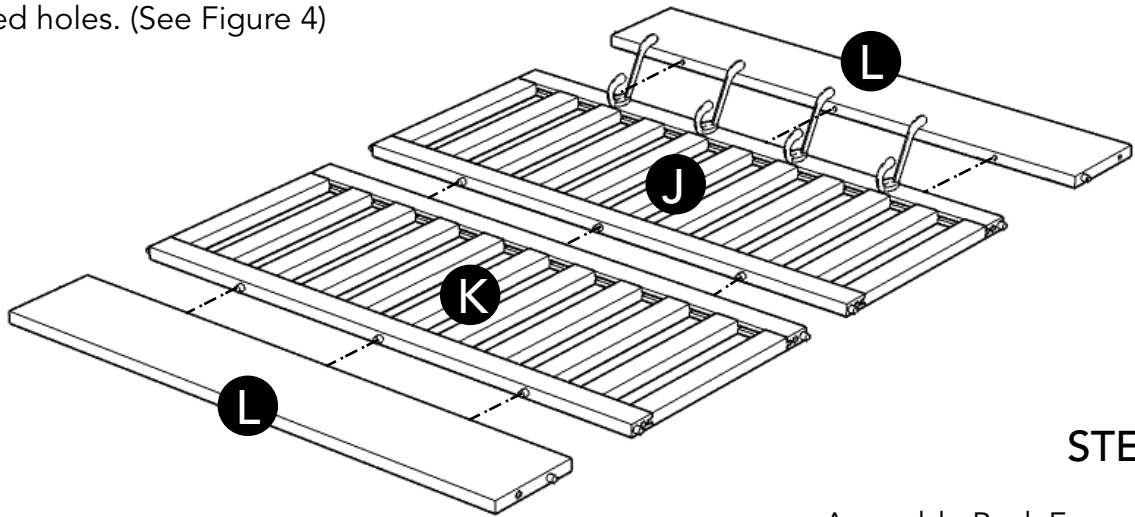


Figure 4

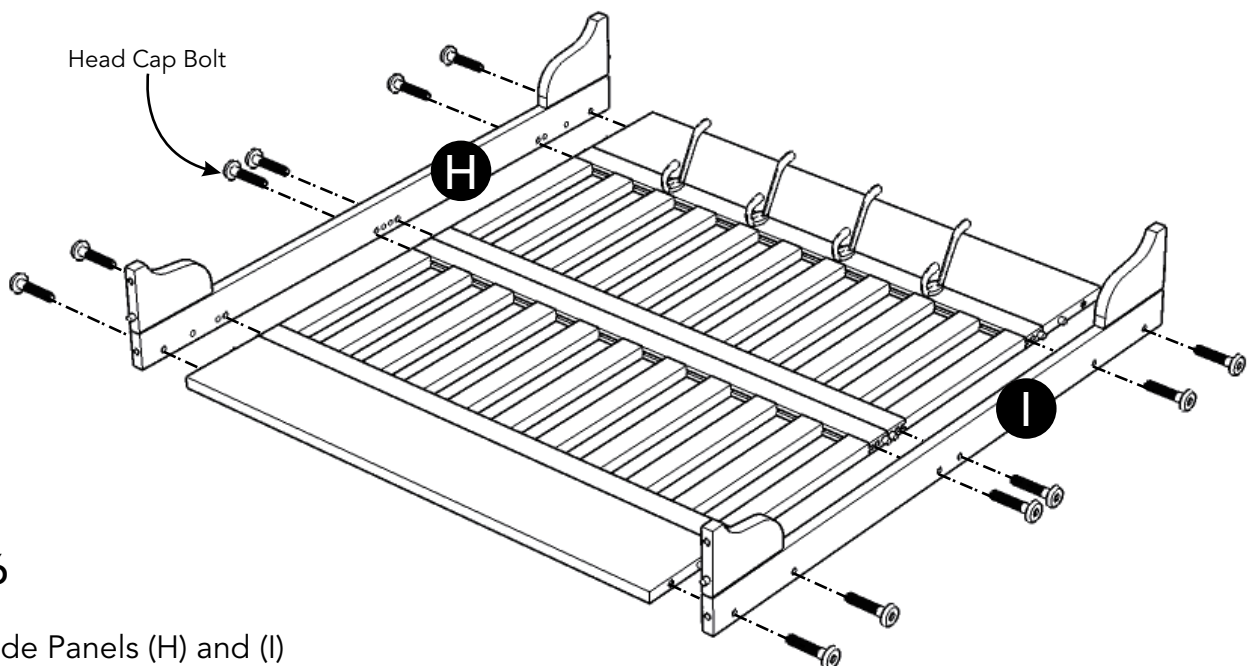
## STEP 4

Attach Hooks to Back Frame (J) by inserting Wood Screws for Hook into pre-drilled holes. (See Figure 4)



## STEP 5

Assemble Back Frames (J), (K) and (L) together.

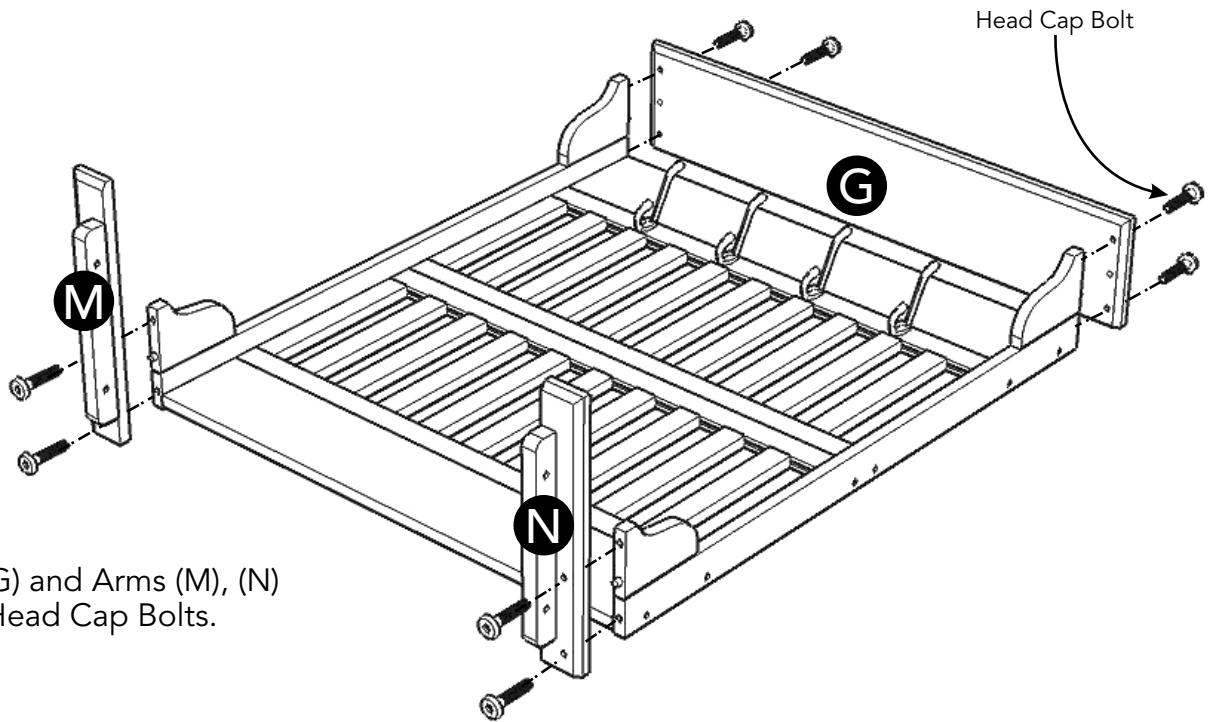


Head Cap Bolt

## STEP 6

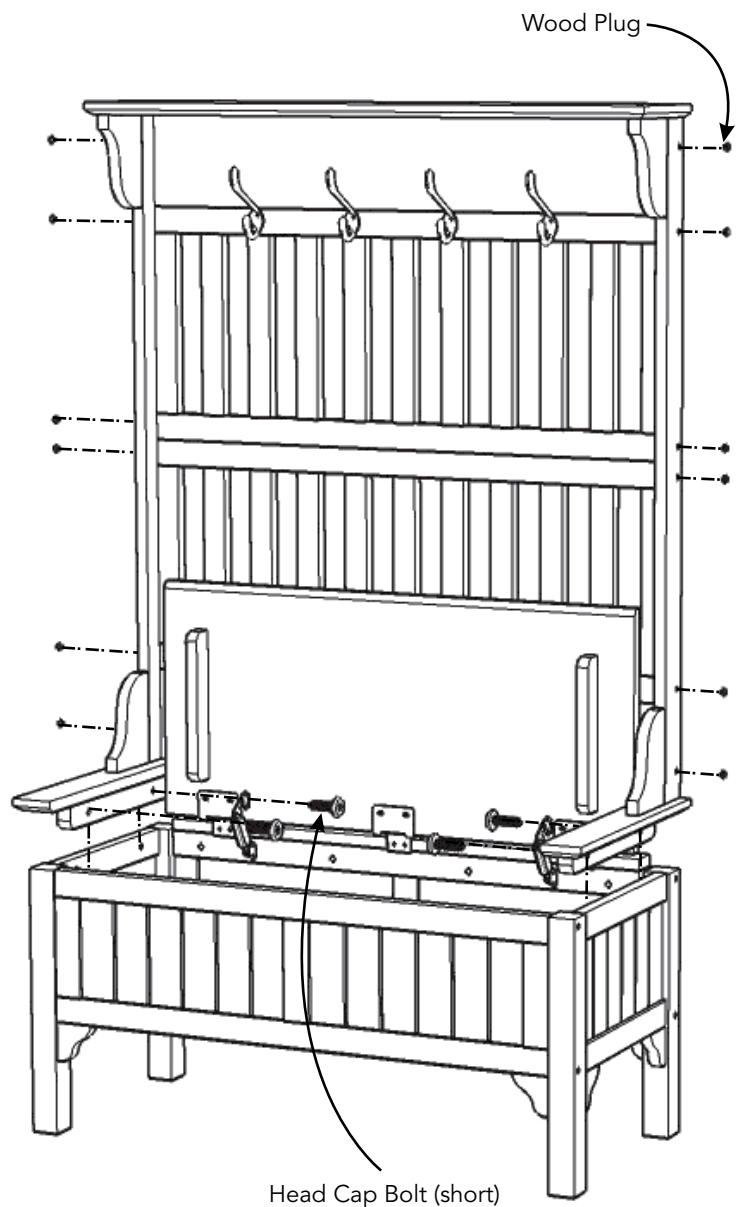
Attach Side Panels (H) and (I) to unit with Head Cap Bolts.

## Assembly Instructions 4/5



### STEP 7

Attach Top (G) and Arms (M), (N) to unit with Head Cap Bolts.



### STEP 8

Attach top unit to base unit with Head Cap Bolts (short).

Cover all holes with Wood Plugs.

Level unit by adjusting the adjustable levelers on bottom of unit. (See Figure 5)

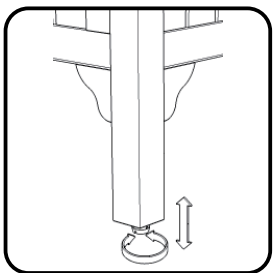


Figure 5

# Assembly Instructions 5/5

## IMPORTANT

- To help reduce the risk of the unit tipping over, the Tip-over Restraint must be installed following these instructions exactly.

## STEP 9

Place unit at desired location.

Drill a 3/8" hole in wall in-line with pre-drilled hole at top of unit.

Move unit.

Insert Anchor into the wall hole and attach Bracket with Wall Screw.

Attach Bracket at pre-drilled hole at top of unit with Wood Screw.

Move unit back into place.

Slide Tip-over Restraint through Bracket on wall and Bracket on unit.  
(See Figure 6)

Put tie end of Tip-over Restraint into lock end of Tip-over Restraint and pull until tight.

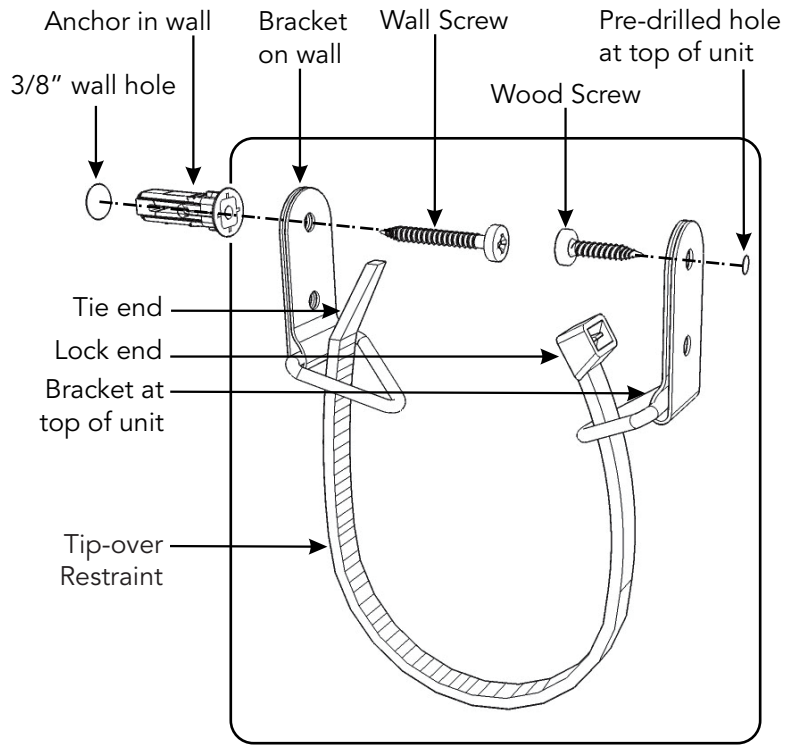
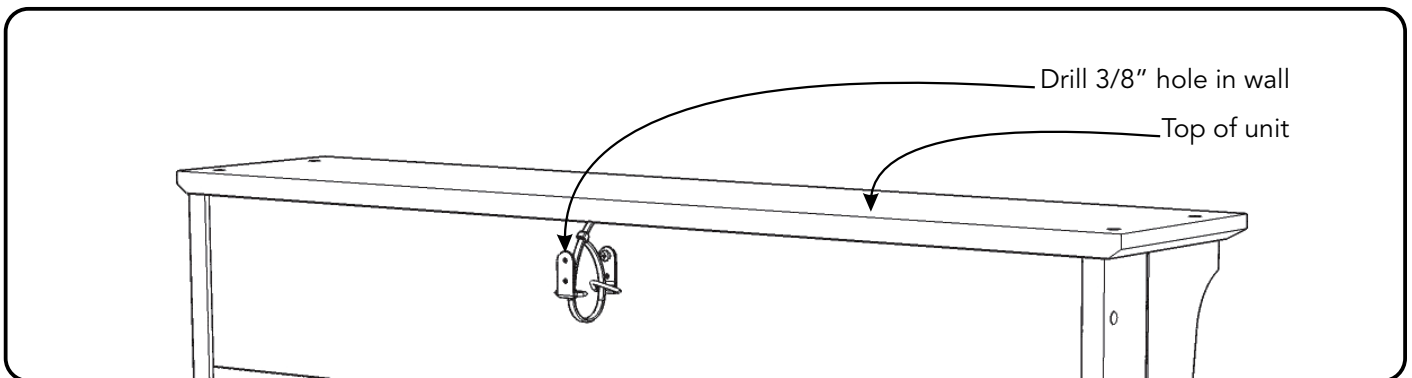
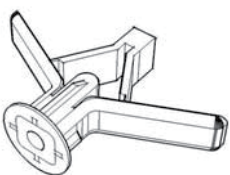


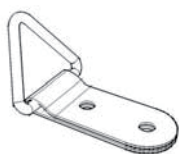
Figure 6



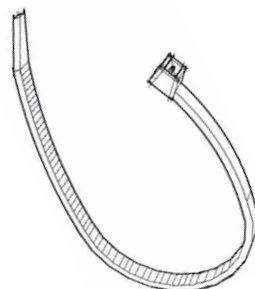
## Hardware List



Anchor  
1 pc. (+1 extra)



Bracket  
2 pcs. (+1 extra)



Tip-over Restraint  
1 pc. (+1 extra)



M3.5x40  
Wall Screw  
1 pc. (+1 extra)



M3.5x16  
Wood Screw  
1 pc. (+1 extra)

# CARE INSTRUCTIONS

## NEVER

allow liquids to remain on furniture.  
Absorption causes parts to warp  
and split and finishes to delaminate.

## NEVER

use glass cleaners on  
finished furniture. Ammonia  
chemically attacks the finish.



Do not use power tools  
above 8 volts to assemble.  
**PREVENT  
CRACKING**



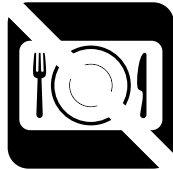
Do not place  
in direct sunlight.  
**PREVENT  
FADING**



Do not write  
directly on surface.  
**PREVENT  
MARKING**



Do not place hot  
objects on surface.  
**PREVENT  
FINISH DAMAGE**



Do not use rubber  
based placemats.  
**PREVENT  
DISCOLORING**



Do not use commercial  
waxes and polishes.  
**PREVENT  
YELLOWING**

## CLEAN

with a soft cloth moistened  
in lukewarm soap and water.  
Buff with a dry clean cloth.



Home Styles will provide replacements free of charge for missing or damaged hardware or parts within 30 days of purchase. Digital images of the defective parts may be required. If the product was not purchased from an authorized retail affiliate, Home Styles is under no obligation to provide replacement parts. Parts are not available for fully assembled items nor are parts available for sale. Replacements for missing or damaged hardware or parts may be requested at:

[www.homestyles-furniture.com/customer-service/replacement-parts](http://www.homestyles-furniture.com/customer-service/replacement-parts)

Home Styles Customer Service: [www.homestyles-furniture.com](http://www.homestyles-furniture.com),  
[servicedesk@homestyles-furniture.com](mailto:servicedesk@homestyles-furniture.com), 888-680-7460, 877-831-0319