

# 24" MULTIFUNCTION SELF-CLEANING OVEN



CODE ID

700 SERIES OVEN

**F7SP24S1**



**CREACTIVE COOKING SYSTEM**



True Convection



Multi-level cooking



Automatic Cooking



Self-Cleaning Oven



Nickel-free Enamel

## SPECIFICATIONS

### OVEN

15 cooking modes  
Automatic cooking with preselected and customizable recipes (weight, temperature, cooking time)  
Sabbath Mode  
BOOST to rapidly reach the pre-selected temperature  
PYROLYSIS Self-cleaning

### SAFETY

Cool door with 4-pane glass  
2-speed tangential cooling ventilation  
Keypad and door safety lock function  
Smoke catalyst

### FEATURES

Control panel with touch controls  
Dual convection fan  
Black Porcelain enameled interior  
Internal lighting  
Internal capacity 2.6 cu.ft.

### INCLUDED ACCESSORIES

1 wide enameled tray with anti-splash insert  
2 flat grill racks  
Power cable

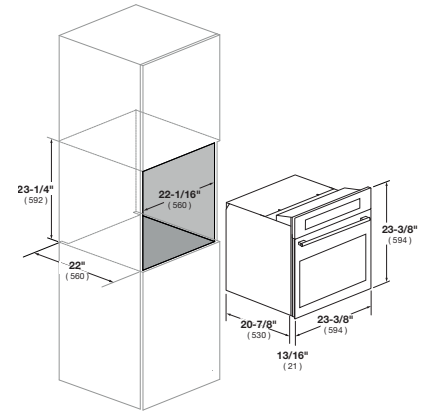
## OPTIONAL ACCESSORIES

FMTELG

24" Telesc. Guides

# DISTINTO

24" MULTIFUNCTION SELF-CLEANING OVEN



CODE ID	24" MULTIFUNCTION SELF-CLEANING OVEN F7SP24S1	
Series	700 - PYRO	
Finish	Stainless Steel	
<b>CONTROL PANEL</b>		
Programming	MODULAR - Electronic	
Automatic Cooking	•	
Auto power off	•	
<b>OVEN</b>		
Type	Electronic	
Interiors	Black Enamel	
Pull-down Door	•	
<b>MAIN FEATURES</b>		
Gross Capacity (cu.ft)	2.6	
Usable Capacity (cu.ft)	2.4	
Tangential cooling ventilation	•	
Total no. of modes	15	
<b>PERFORMANCE</b>		
Maximum cooking temperature	250° C	
Automatic Cooking	•	
Defrosting /Time/Weight)	•	
Sabbath Mode	•	
Assisted Cleaning (CLEAN)	•	
Power Output Grill (W)	3450	
<b>SAFETY</b>		
Door with Safety Lock	•	
Safety Door/ no. Panes of Glass	•/4	
Control Lock	•	
<b>ACCESSORIES</b>		
No. of Lights (20 W halogen)	1	
No./Type of Gastronorm Trays	1 / Black Enamel	
Grey Metal Flat/no. of Supports	5	
<b>DIMENSIONS / WEIGHT</b>		
Width in/mm	23 - 3/8"	594 mm
Height in/mm	23 - 3/8"	594 mm
Depth in/mm	21 - 7/8"	556 mm
Recess (LxHxP) in/mm	(22 - 1/6" x 23" x 22 - 1/6")	(560 x 595 x 560 mm)
<b>POWER / RATINGS</b>		
KW/Amps rating at 240V, 60Hz	3.40kW - 14.2A	
KW/Amps rating at 208V, 60Hz	2.50kW - 12A	
Power Cord	Cable + Conduit	
<b>INSTRUCTIONS FOR USE</b>		
Use & Care Manual / Installation Manual	English / French / Spanish	