

# 88 5050 06 Modern Craftsman Media Console

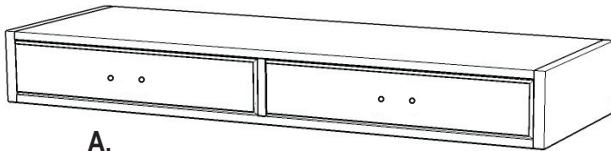
## IMPORTANT NOTE

Carefully remove all the parts from the carton and put them individually on a soft cloth to prevent scratches or other damages occurring to the parts.

We have taken great care in the design of this product and request that you carefully and strictly follow our assembly instructions to ensure a completed product as it was designed.



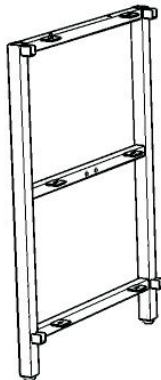
## Part List



**A.**  
**Cabinet**  
1 pc.



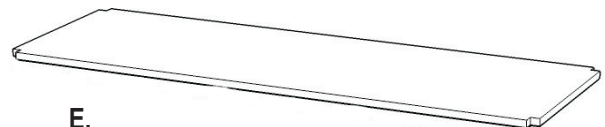
**B.**  
**Stretcher**  
4 pcs.



**D.**  
**Side Frame**  
2 pcs.



**C.**  
**Stretcher**  
1 pc.



**E.**  
**Shelf**  
2 pcs.

## Hardware List



**Hex Wrench**  
1 pc.



**Small Hex Wrench**  
1 pc.



**Head Cap Bolt**  
24 pcs. (+1 extra)



**Spring Washer**  
24 pcs. (+1 extra)



**Flat Washer**  
24 pcs. (+1 extra)



**Wood Screw**  
27 pcs. (+1 extra)

Tools required for assembly : **Phillips** screwdriver

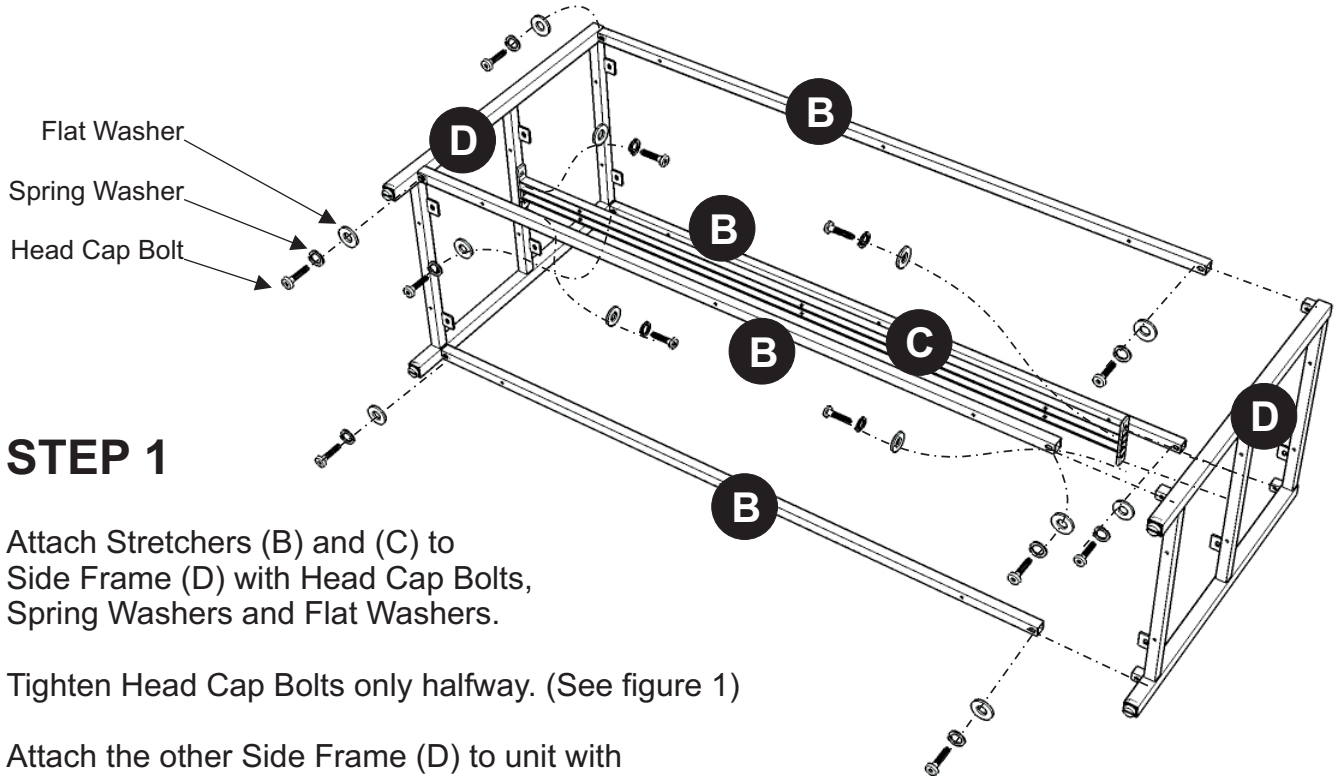
Tools recommended for assembly : Level

**Home Styles Consumer Assistance Line 888-680-7460 and 877-831-0319**  
**servicedesk@homestyles-furniture.com**

# Assembly Instructions 2/4

## IMPORTANT

- \* Do not tighten up all the screws until each part is properly assembled.
- \* You should keep Hex Wrench in a safe place as you may need to tighten up the Head Cap Bolts in the future.
- \* Use a soft cloth between these parts and the floor.
- \* After assembly, item must be level to work properly. Use the included adjustable levelers to level.



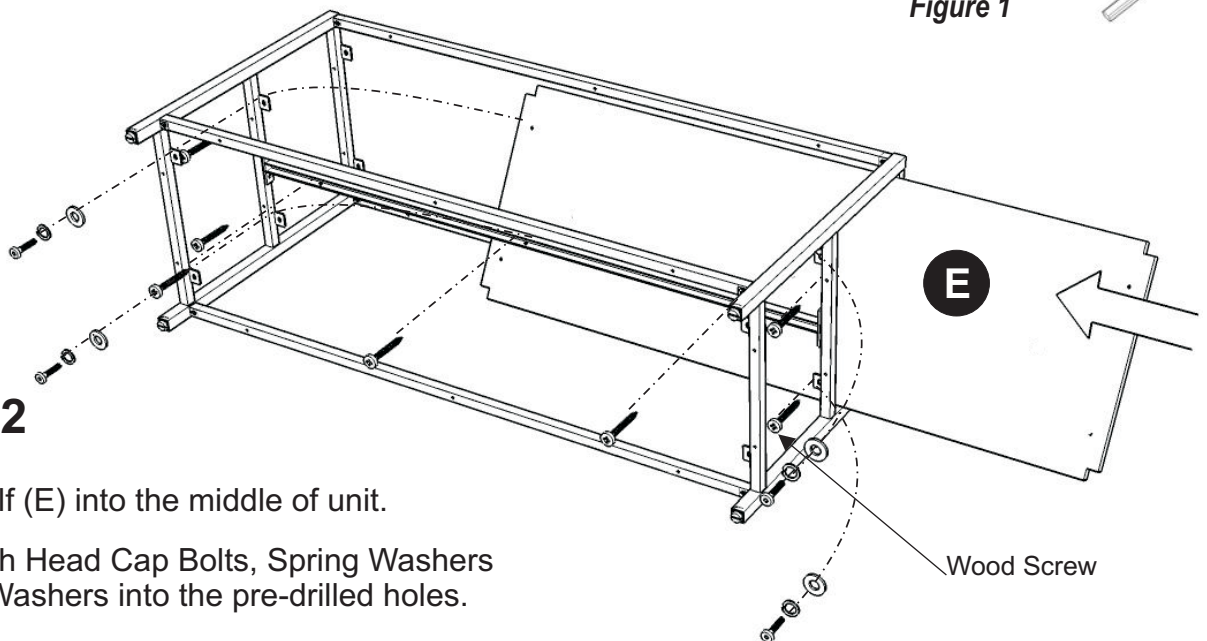
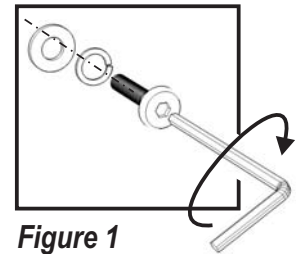
## STEP 1

Attach Stretchers (B) and (C) to Side Frame (D) with Head Cap Bolts, Spring Washers and Flat Washers.

Tighten Head Cap Bolts only halfway. (See figure 1)

Attach the other Side Frame (D) to unit with Head Cap Bolts, Spring Washers and Flat Washers.

Tighten all Head Cap Bolts.



## STEP 2

Slide Shelf (E) into the middle of unit.

Attach with Head Cap Bolts, Spring Washers and Flat Washers into the pre-drilled holes.

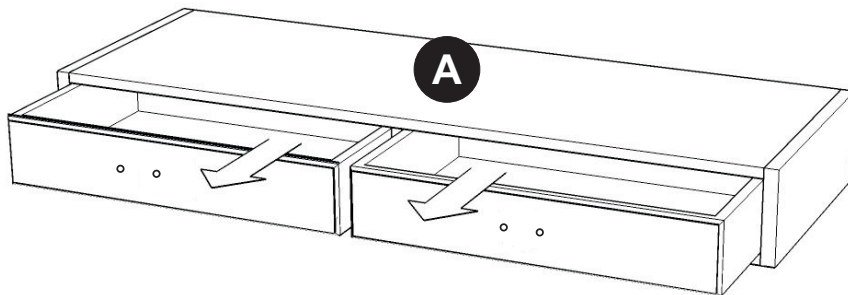
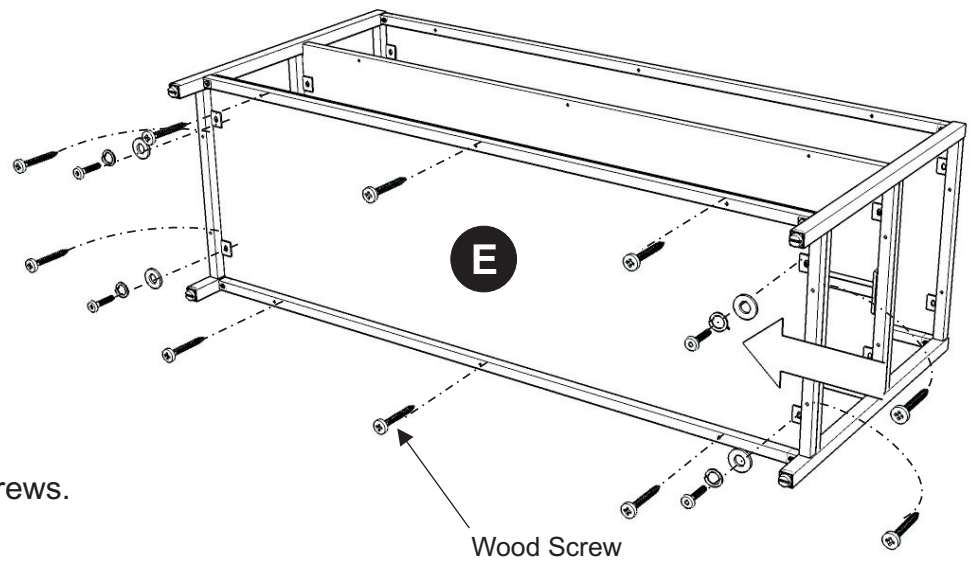
Attach with 7X Wood Screws.

## STEP 3

Slide Shelf (E) into position.

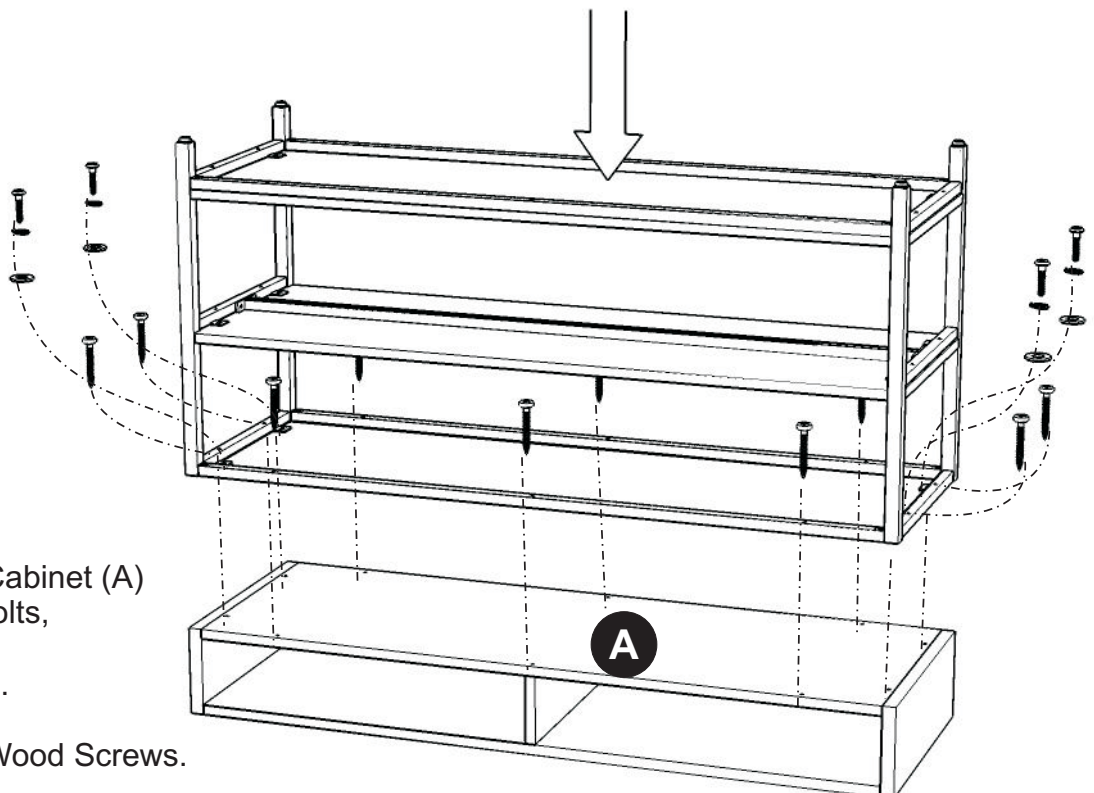
Attach with Head Cap Bolts, Spring Washers and Flat Washers into the pre-drilled holes.

Attach with 10X Wood Screws.



## STEP 4

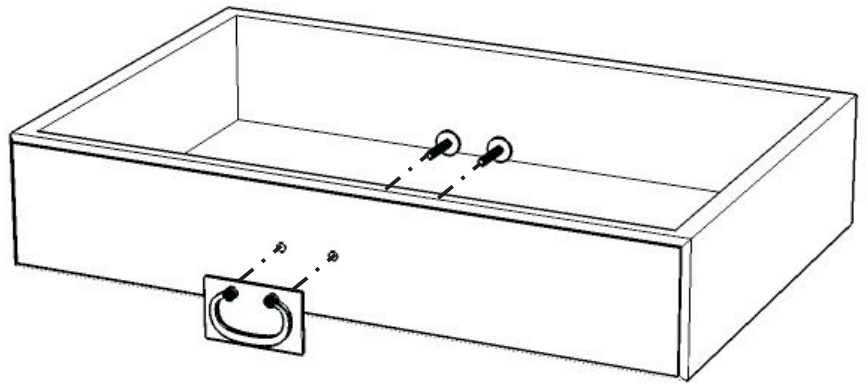
Remove the drawers, then place Cabinet (A) upside down on a soft cloth.



## STEP 5

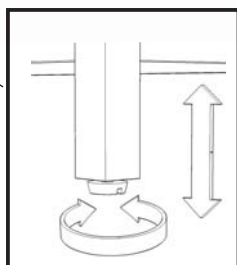
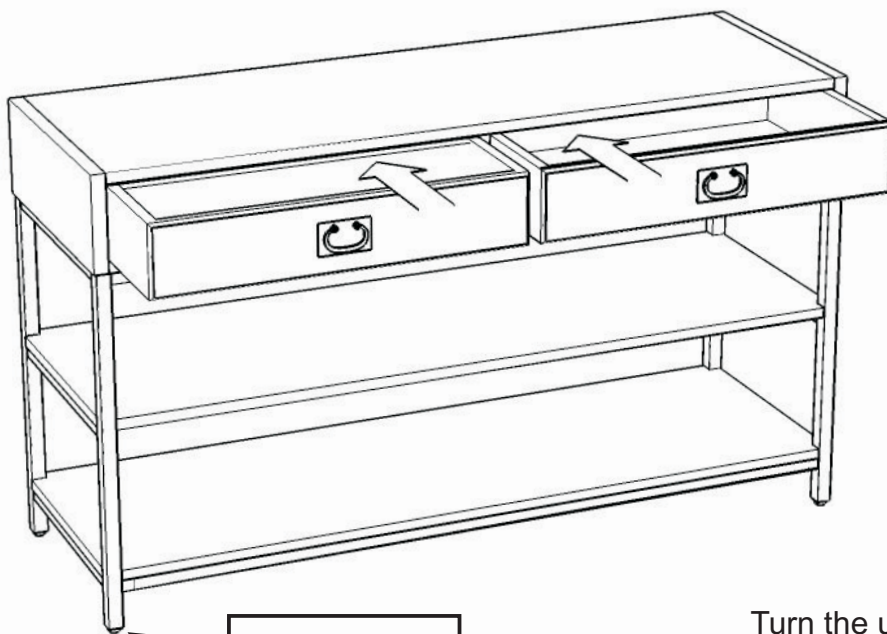
Attach unit onto Cabinet (A) with Head Cap Bolts, Spring Washers and Flat Washers.

Attach with 10X Wood Screws.



## STEP 6

Remove the Pull Handles that are installed on the inside of the drawers and re-install them on the outside of the drawer.



**Figure 2**

## STEP 7

Turn the unit over to its' upright position.

Slide the drawers into position.

To level the unit, adjust the adjustable levelers on the bottom of unit. (See figure 2)