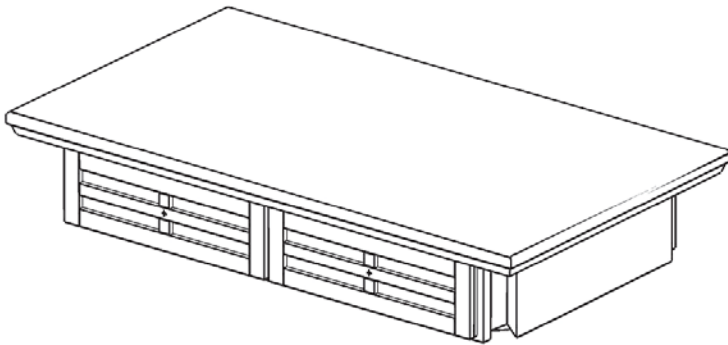


Student Desk**IMPORTANT**

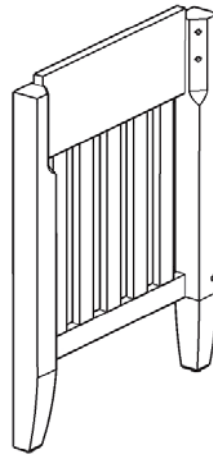
Carefully remove all the parts from the carton and place them individually on a soft cloth to prevent scratches or other damage.

Carefully and strictly follow these assembly instructions to ensure a completed product as designed.

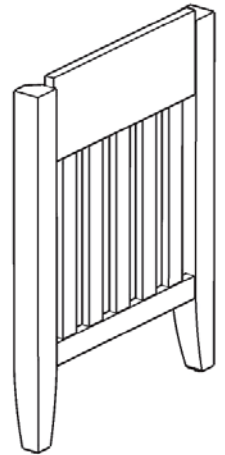
Do not use power tools above 8 volts to assemble.

Part List

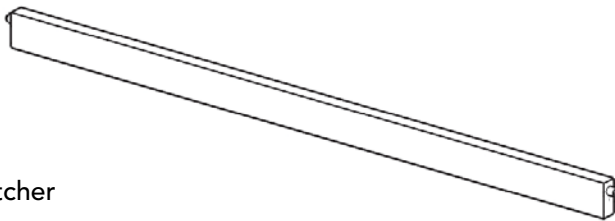
A.
Top Unit
1 pc.



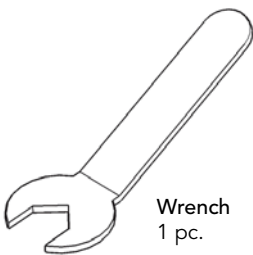
B.
Side Frame
1 pc.



C.
Side Frame
1 pc.



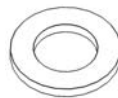
D.
Stretcher
1 pc.

Hardware List

Wrench
1 pc.



Spring Washer
8 pcs. (+1 extra)



Flat Washer
8 pcs. (+1 extra)



M3x32
Wood Screw
2 pcs. (+1 extra)



M8x50
Bolt
8 pcs. (+1 extra)

Tool(s) required for assembly: Phillips screwdriver, Level

Home Styles Customer Service: www.homestylesfurniture.com,
servicedesk@homestylesfurniture.com, 888-680-7460, 877-831-0319

Assembly Instructions 2/3

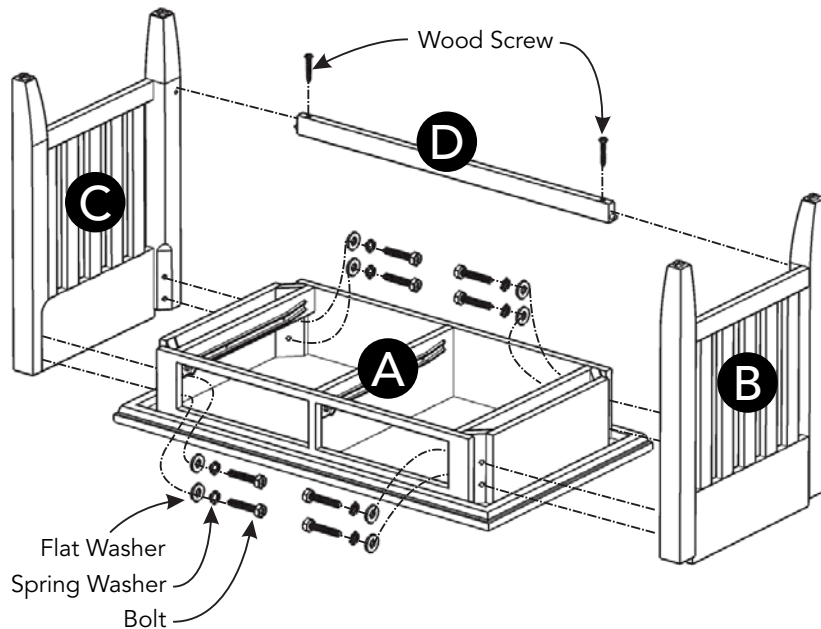
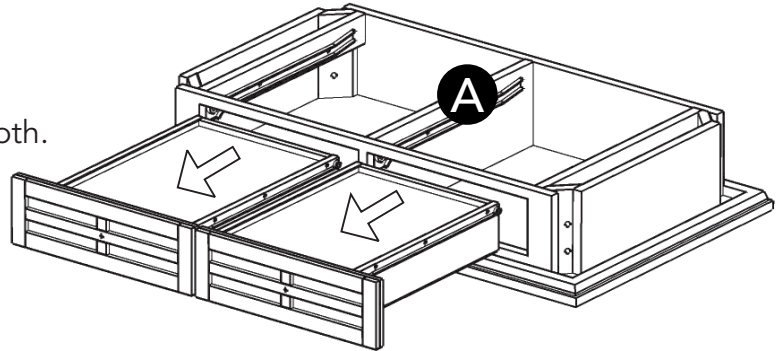
IMPORTANT

- Use a soft cloth between these parts and the floor.
- Do not use power tools above 8 volts to assemble.
- Do not tighten all the bolts until each part is properly assembled.
- The unit must be level to work properly. Use the included adjustable levelers to level.
- Keep Wrench as the bolts may need to be tightened in the future.

STEP 1

Place Top Unit (A) upside down on a soft cloth.

Remove drawers.



STEP 2

Attach Side Frame (C) to Top Unit (A) with Flat Washers, Spring Washers and Bolts.
(See Figure 1)

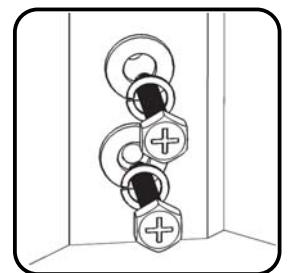


Figure 1

Attach Stretcher (D) and Side Frame (B) to unit with Flat Washers, Spring Washer, Bolts and Wood Screws.
(See Figure 2)

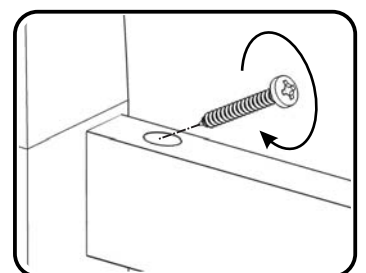
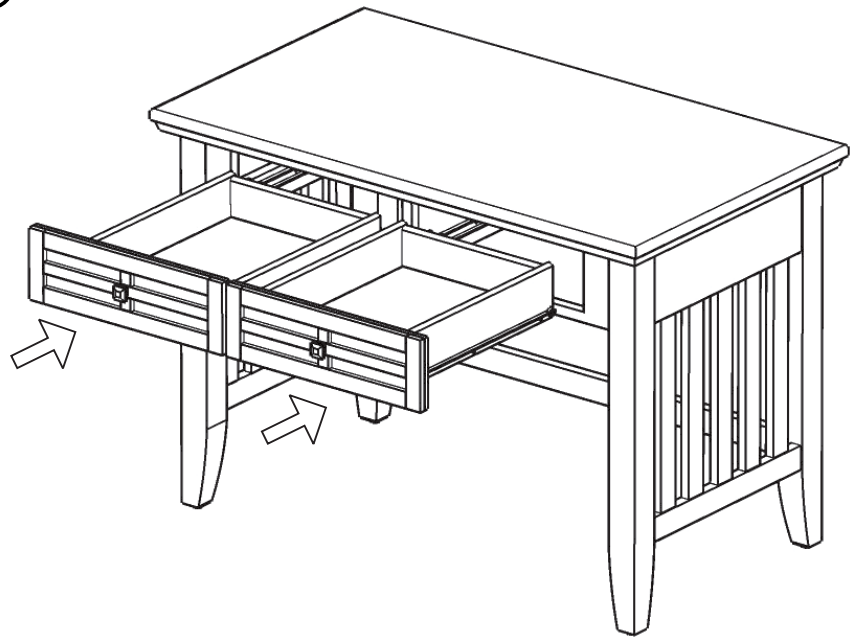
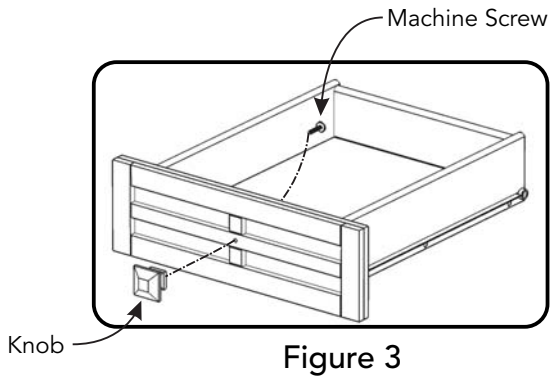


Figure 2

Assembly Instructions 3/3



STEP 3

Turn desk over to its upright position.

Remove knobs on inside of drawers and attach to outside of drawers with machine screws.
(See Figure 3)

Slide drawers into position.

Level unit by adjusting the adjustable levelers on bottom of unit.
(See Figure 4)

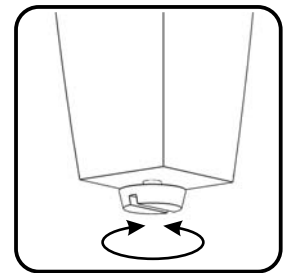


Figure 4

CARE INSTRUCTIONS

NEVER

allow liquids to remain on furniture.
Absorption causes parts to warp
and split and finishes to delaminate.

NEVER

use glass cleaners on
finished furniture. Ammonia
chemically attacks the finish.



Do not use power tools
above 8 volts to assemble.

**PREVENT
CRACKING**



Do not place
in direct sunlight.

**PREVENT
FADING**



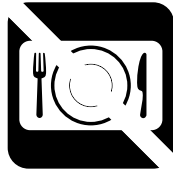
Do not write
directly on surface.

**PREVENT
MARKING**



Do not place hot
objects on surface.

**PREVENT
FINISH DAMAGE**



Do not use rubber
based placemats.

**PREVENT
DISCOLORING**



Do not use commercial
waxes and polishes.

**PREVENT
YELLOWING**

CLEAN

with a soft cloth moistened
in lukewarm soap and water.
Buff with a dry clean cloth.



Home Styles will provide replacements free of charge for missing or damaged hardware or parts within 30 days of purchase. Digital images of the defective parts may be required. If the product was not purchased from an authorized retail affiliate, Home Styles is under no obligation to provide replacement parts. Parts are not available for fully assembled items nor are parts available for sale. Replacements for missing or damaged hardware or parts may be requested at:
www.homestylesfurniture.com/customer-service/replacement-parts

Home Styles Customer Service: www.homestylesfurniture.com,
servicedesk@homestylesfurniture.com, 888-680-7460, 877-831-0319