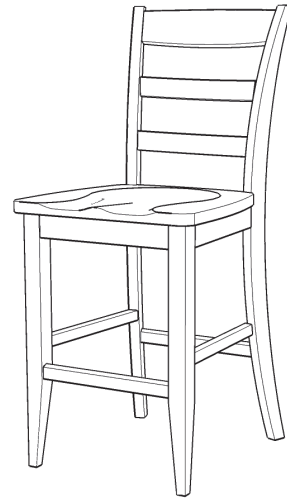


IMPORTANT

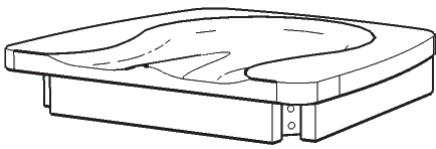
Carefully remove all the parts from the carton and place them individually on a soft cloth to prevent scratches or other damage.

Carefully and strictly follow these assembly instructions to ensure a completed product as designed.

Do not use power tools above 8 volts to assemble.



Part List



A.
Seat
1 pc.



E.
Side Stretcher
1 pc.



F.
Side Stretcher
1 pc.



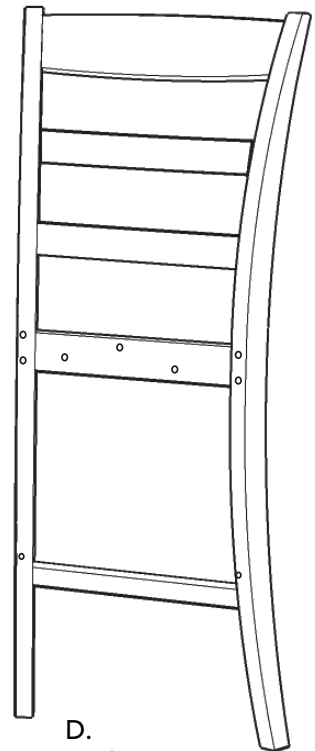
B.
Leg
1 pc.



C.
Leg
1 pc.



G.
Front Stretcher
1 pc.



D.
Back Frame
1 pc.

Hardware List



Hex Wrench
1 pc.



Flat Washer
11 pcs. (+1 extra)



Spring Washer
11 pcs. (+1 extra)



Small Hex Wrench
1 pc.



M6x40
Head Cap Bolt (short)
3 pcs. (+1 extra)



M6x50
Head Cap Bolt
4 pcs. (+1 extra)



M3.5x40
Wood Screw
6 pcs. (+1 extra)



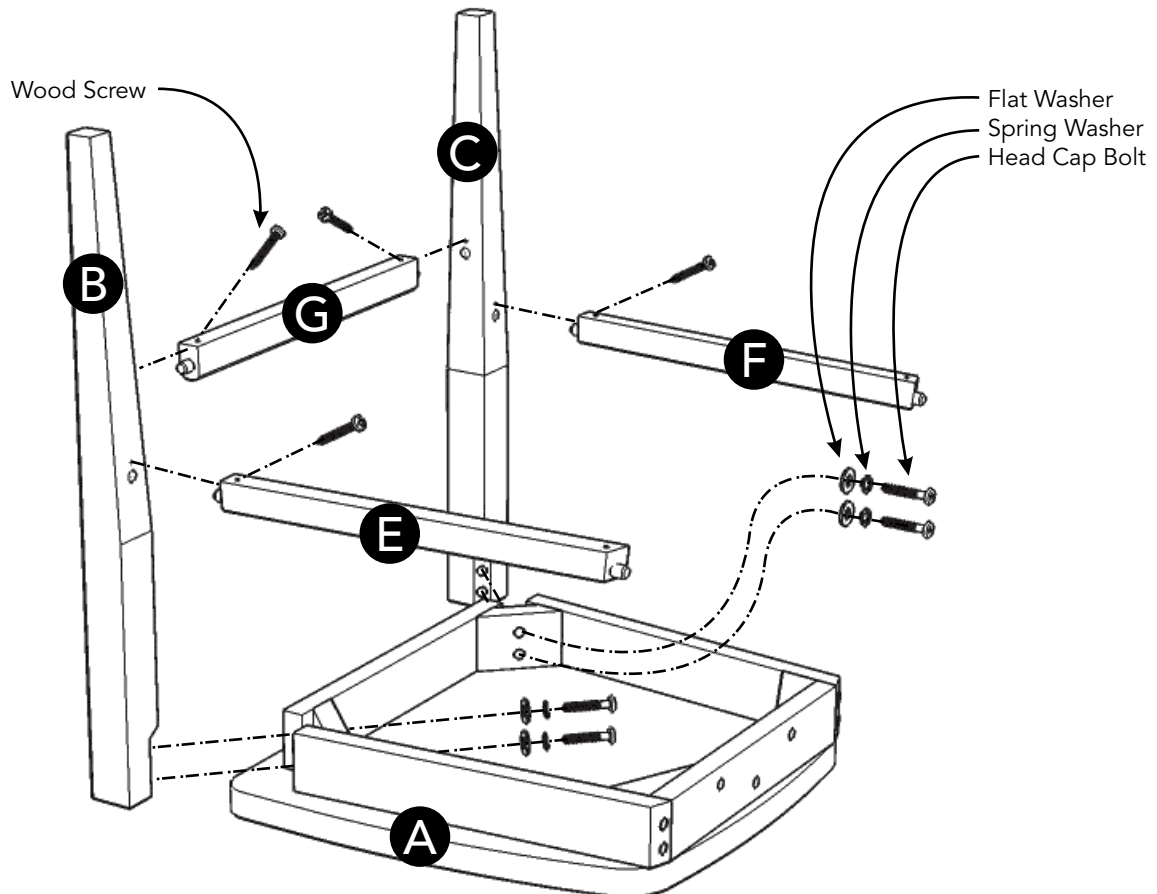
M6x70
Head Cap Bolt (long)
4 pcs. (+1 extra)

Tool(s) required for assembly: Phillips screwdriver

Assembly Instructions 2/3

IMPORTANT

- Use a soft cloth between these parts and the floor.
- Do not tighten all the bolts until each part is properly assembled.
- Keep Hex Wrench as the bolts may need to be tightened in the future.



STEP 1

Place Seat (A) upside down on a soft cloth.

Attach Legs (B) and (C) to Seat (A) with Flat Washers, Spring Washers and Head Cap Bolts, tightening bolts only halfway. (See Figure 1)

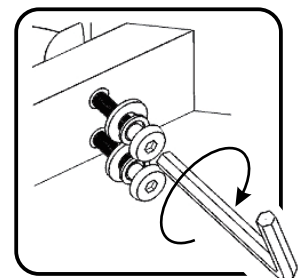


Figure 1

Attach Front Stretcher (G) to unit with Wood Screws. (See Figure 2)

Attach Side Stretcher (E) to Leg (B) and Side Stretcher (F) to Leg (C) with Wood Screws.

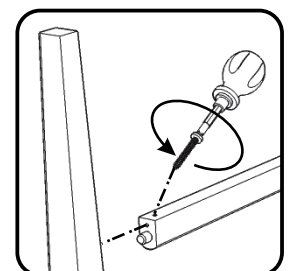
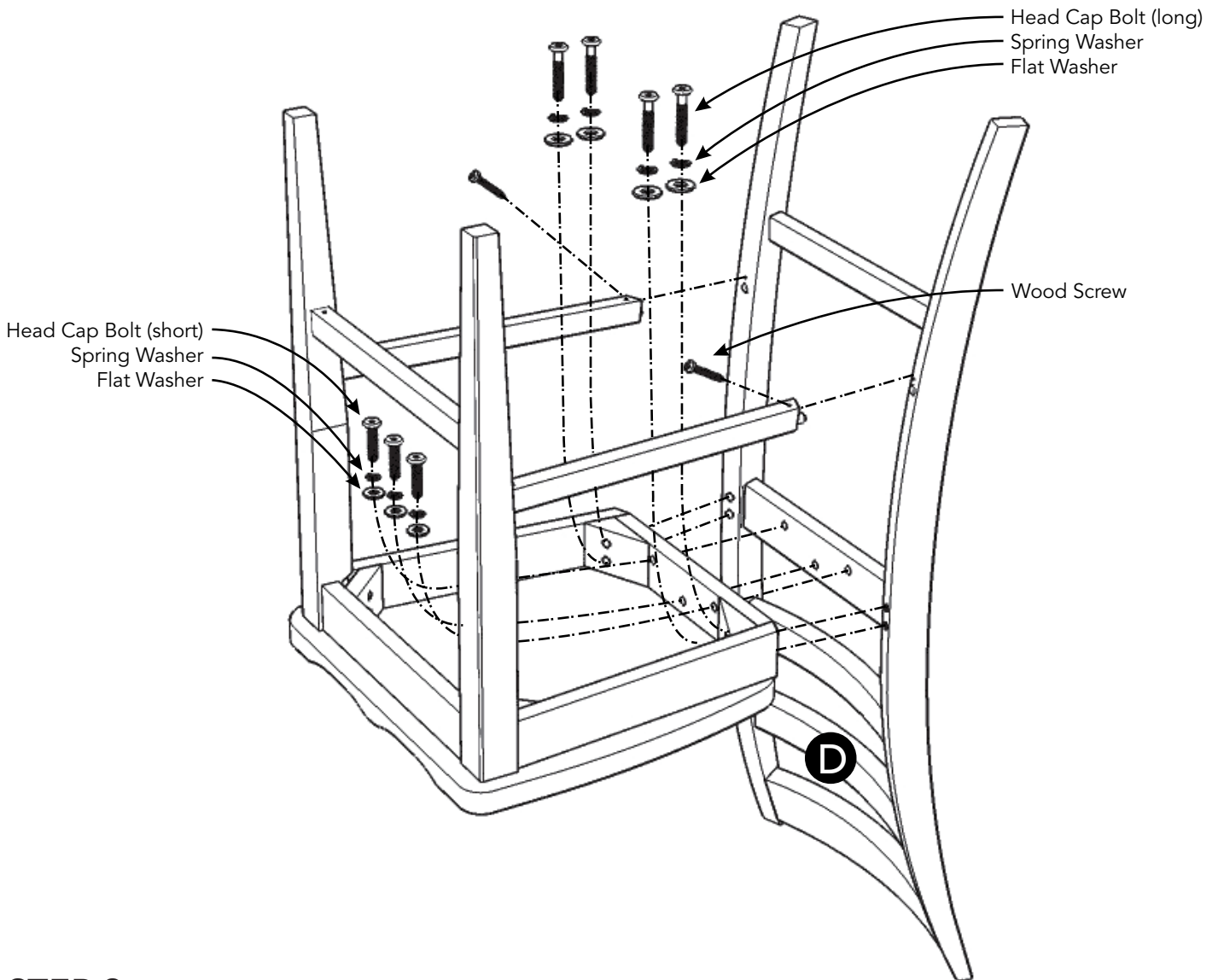


Figure 2

Assembly Instructions 3/3



STEP 2

Attach Back Frame (D) to unit with Flat Washers, Spring Washers, Head Cap Bolts (short) and Head Cap Bolts (long), tightening bolts only halfway. (See Figures 3 and 4)

Tighten all bolts used in Steps 1 and 2.

Insert Wood Screws into pre-drilled holes in unit, then tighten.

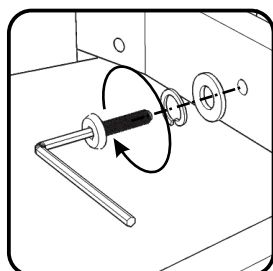


Figure 3

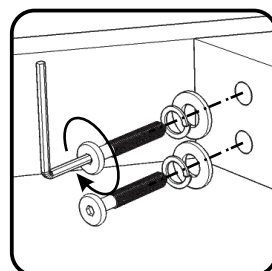


Figure 4

CARE INSTRUCTIONS

NEVER

allow liquids to remain on furniture.
Absorption causes parts to warp
and split and finishes to delaminate.

NEVER

use glass cleaners on
finished furniture. Ammonia
chemically attacks the finish.



Do not use power tools
above 8 volts to assemble.

**PREVENT
CRACKING**



Do not place
in direct sunlight.

**PREVENT
FADING**



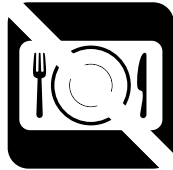
Do not write
directly on surface.

**PREVENT
MARKING**



Do not place hot
objects on surface.

**PREVENT
FINISH DAMAGE**



Do not use rubber
based placemats.

**PREVENT
DISCOLORING**

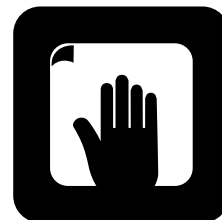


Do not use commercial
waxes and polishes.

**PREVENT
YELLOWING**

CLEAN

with a soft cloth moistened
in lukewarm soap and water.
Buff with a dry clean cloth.



Home Styles will provide replacements free of charge for missing or damaged hardware or parts within 30 days of purchase. Digital images of the defective parts may be required. If the product was not purchased from an authorized retail affiliate, Home Styles is under no obligation to provide replacement parts. Parts are not available for fully assembled items nor are parts available for sale. Replacements for missing or damaged hardware or parts may be requested at:
www.homestylesfurniture.com/customer-service/replacement-parts

Home Styles Customer Service: www.homestylesfurniture.com,
servicedesk@homestylesfurniture.com, 888-680-7460, 877-831-0319