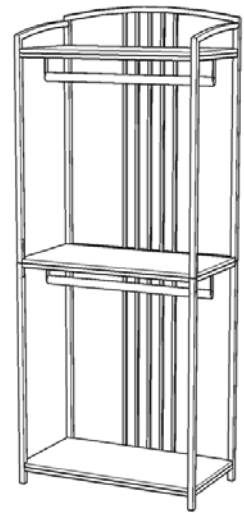


# Closet Wall Hanging Unit



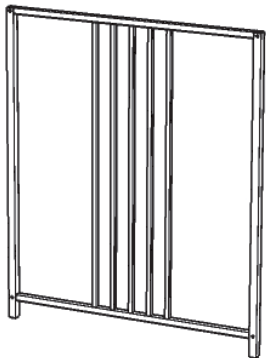
## IMPORTANT

Carefully remove all the parts from the carton and place them individually on a soft cloth to prevent scratches or other damage.

Carefully and strictly follow these assembly instructions to ensure a completed product as designed.

Do not use power tools above 8 volts to assemble.

## Part List



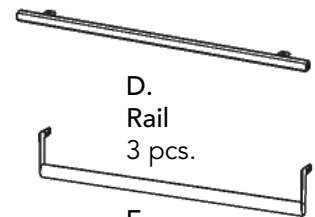
A.  
Back Frame  
1 pc.



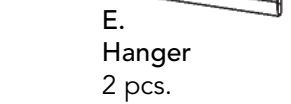
B.  
Side  
1 pc.



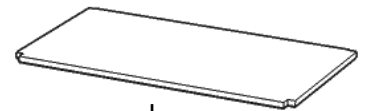
C.  
Side  
1 pc.



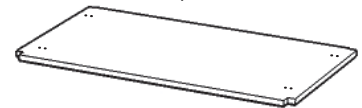
D.  
Rail  
3 pcs.



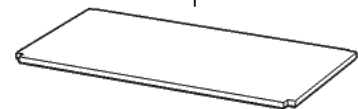
E.  
Hanger  
2 pcs.



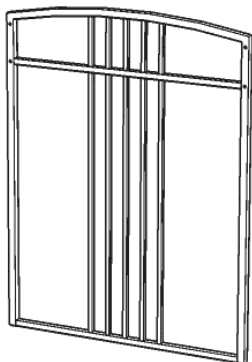
I.  
Shelf  
1 pc.



J.  
Shelf  
1 pc.



K.  
Base  
1 pc.



F.  
Back Frame  
1 pc.



G.  
Side  
1 pc.



H.  
Side  
1 pc.

## Hardware List



Hex Wrench  
1 pc.



Small Hex Wrench  
1 pc.



M6x16  
Head Cap Bolt  
32 pcs. (+1 extra)



M6x13  
Tapered Bolt (short)  
8 pcs. (+1 extra)



Spring Washer  
32 pcs. (+1 extra)



M6x32  
Tapered Bolt  
2 pcs. (+1 extra)



Flat Washer  
14 pcs. (+1 extra)



M6x44  
Tapered Bolt (long)  
8 pcs. (+1 extra)



Flat Washer (large)  
18 pcs. (+1 extra)



M3x15  
Wood Screw  
8 pcs. (+1 extra)



Bracket  
2 pcs.

Tool(s) required for assembly: Phillips screwdriver, Level, Drill (8 volts or less), 3/8" Drill Bit

Home Styles Customer Service: [www.homestyles-furniture.com](http://www.homestyles-furniture.com),  
 servicedesk@homestyles-furniture.com, 888-680-7460, 877-831-0319

## Assembly Instructions 2/8

### IMPORTANT

- Use a soft cloth between these parts and the floor.
- Do not use power tools above 8 volts to assemble.
- Do not tighten all the bolts until each part is properly assembled.
- The unit must be level to work properly. Use the included adjustable levelers to level.
- Keep Hex Wrench as the bolts may need to be tightened in the future.

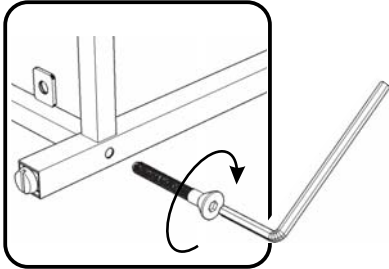


Figure 1

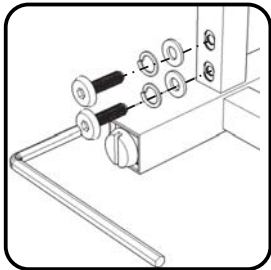


Figure 2

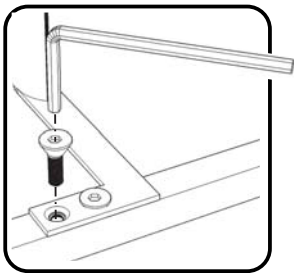
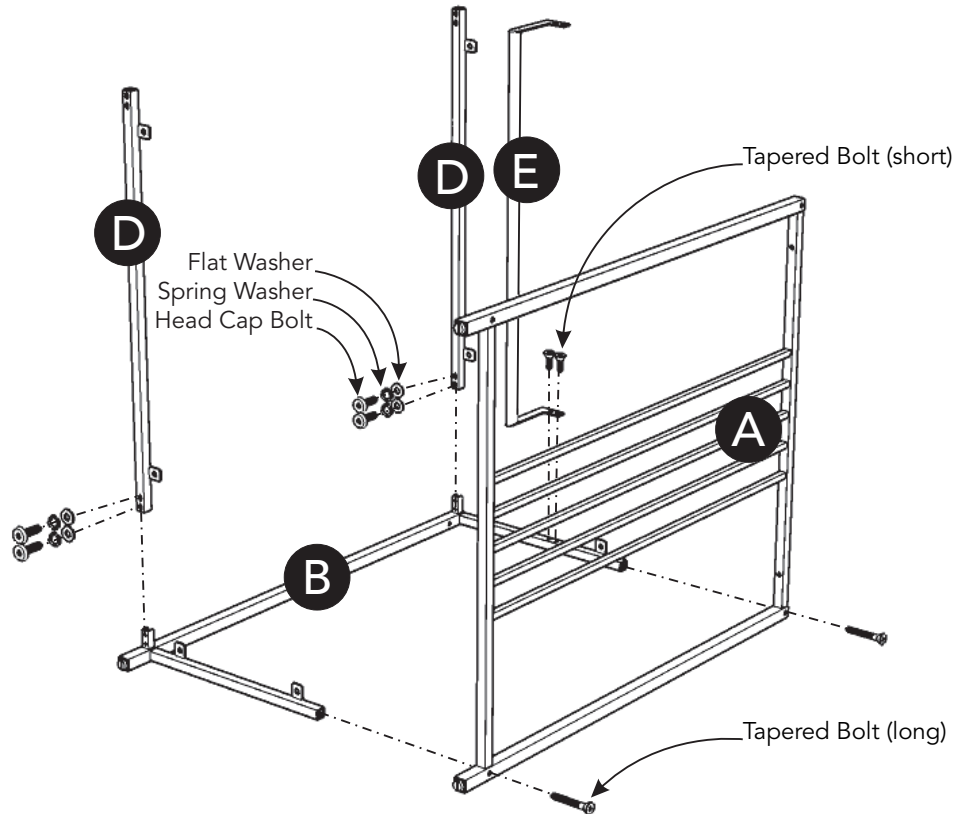


Figure 3



### STEP 1

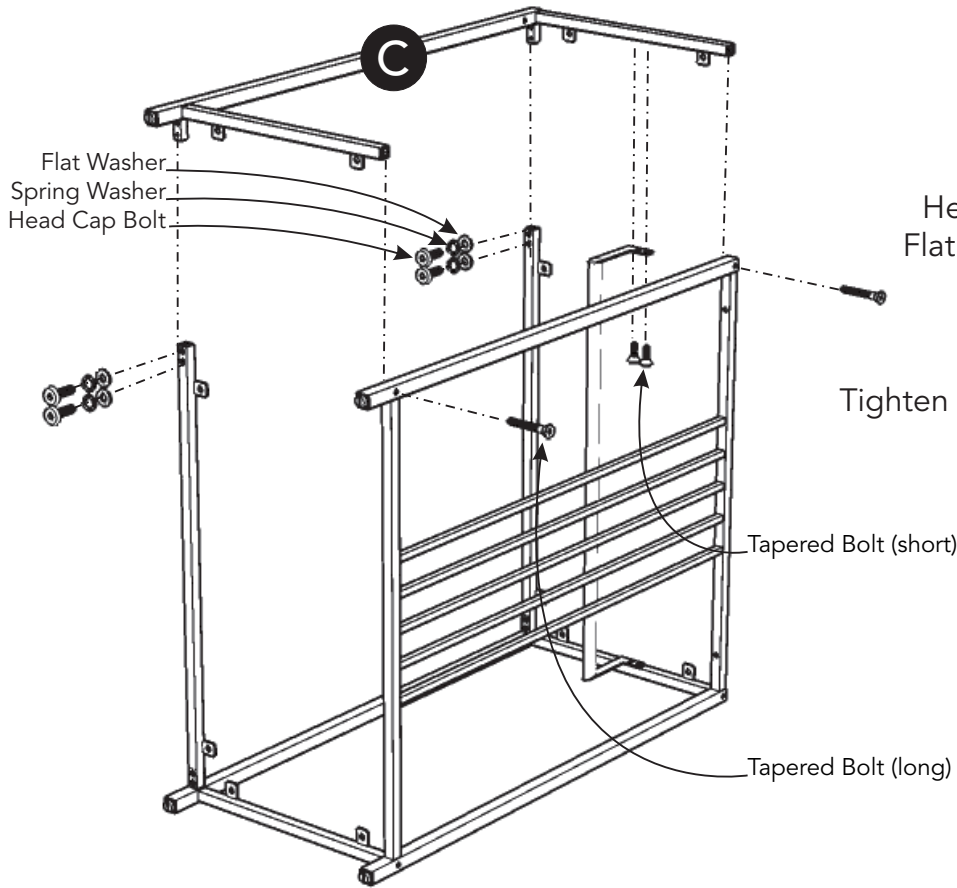
Attach Side (B) to Back Frame (A) with Tapered Bolts (long), tightening bolts only halfway. (See Figure 1)

Attach Rails (D) to unit with Head Cap Bolts, Spring Washers and Flat Washers, tightening bolts only halfway. (See Figure 2)

Attach Hangers (E) to unit with Tapered Bolts (short), tightening bolts only halfway. (See Figure 3)

# Assembly Instructions 3/8

## STEP 2



Attach Side (C) to unit with Head Cap Bolts, Spring Washers, Flat Washers, Tapered Bolts (short) and Tapered Bolts (long), tightening bolts only halfway.

Tighten all bolts used in Steps 1 and 2.

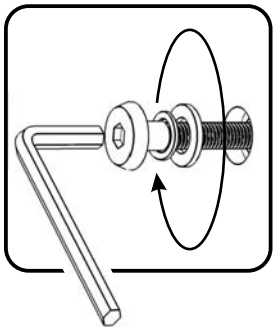
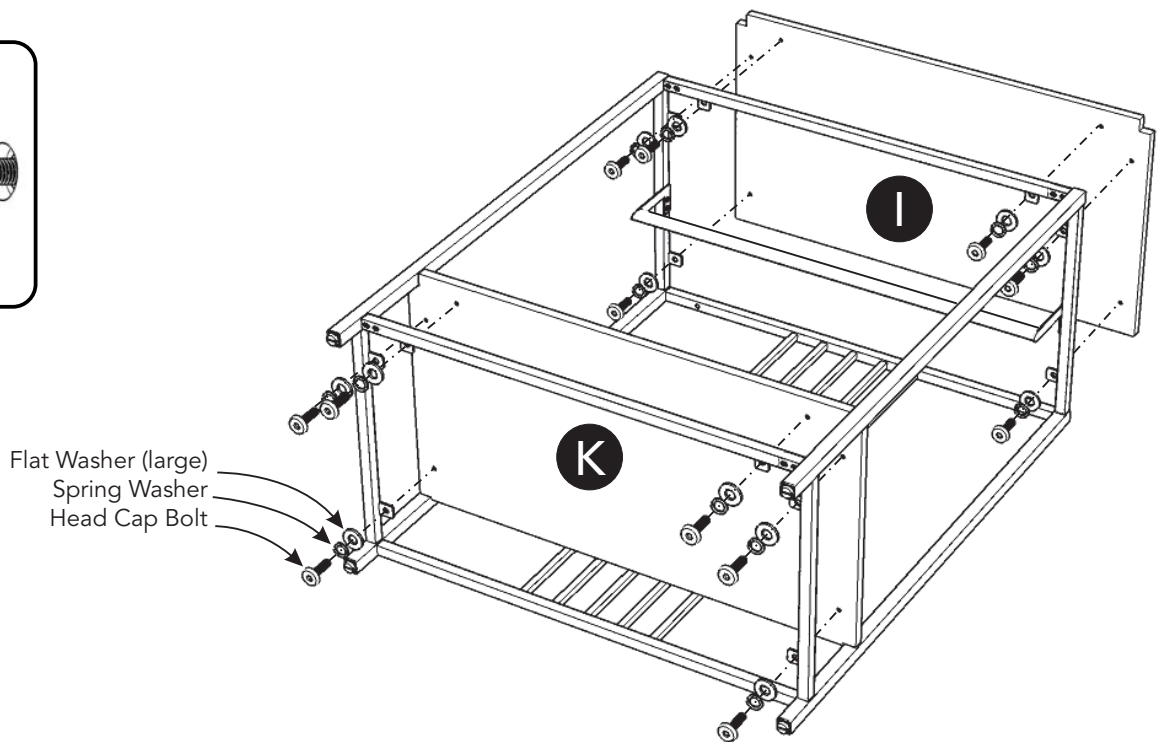


Figure 4



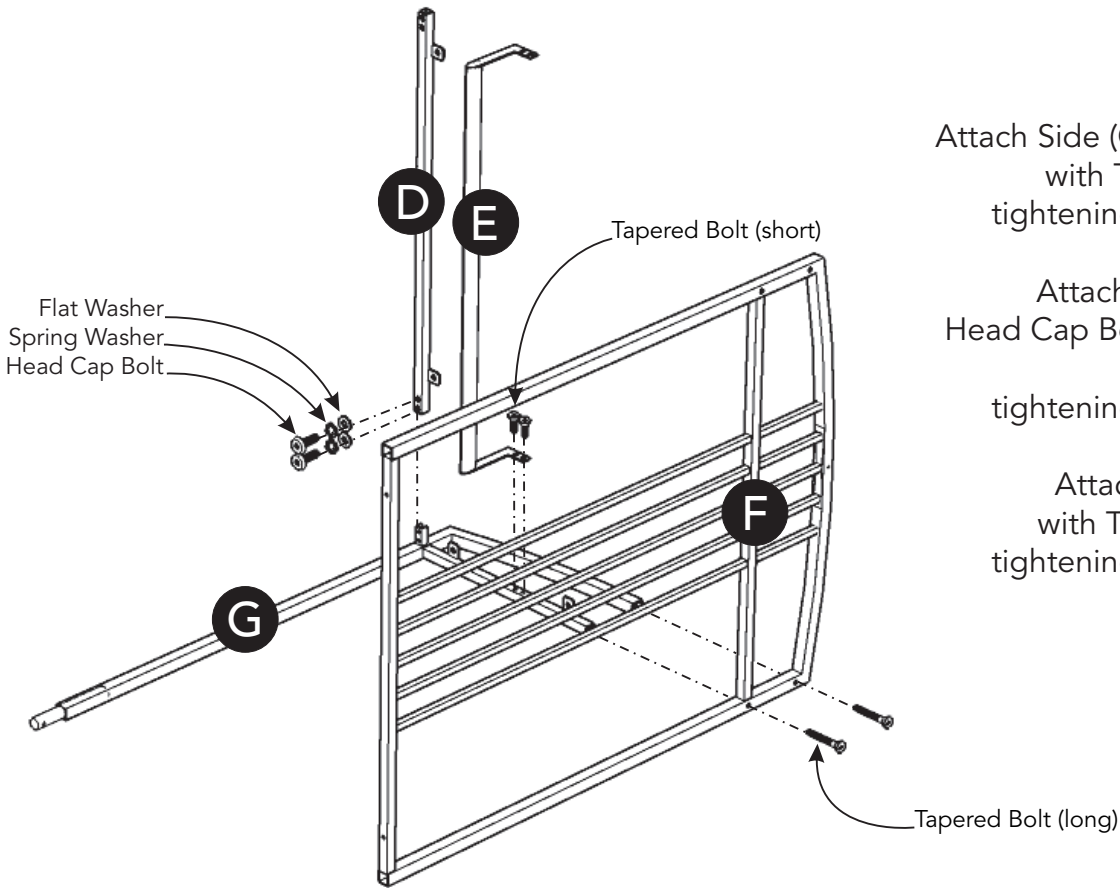
## STEP 3

Attach Shelf (I) and Base (K) to unit with Head Cap Bolts, Spring Washers and Flat Washers (large), tightening bolts only halfway. (See Figure 4)

Tighten all bolts.

# Assembly Instructions 4/8

## STEP 4



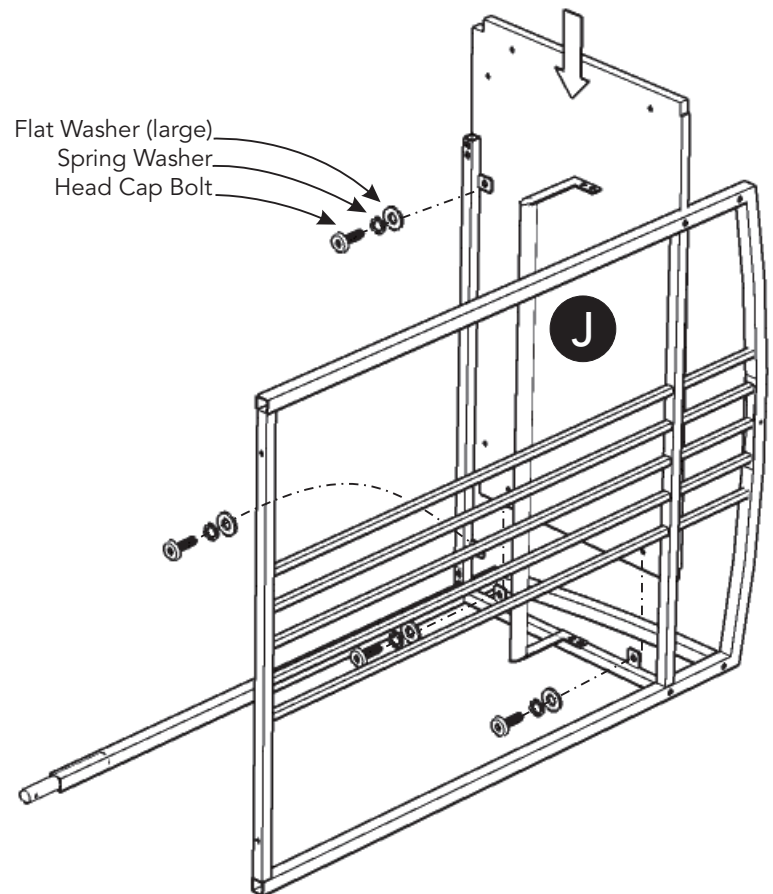
Attach Side (G) to Back Frame (F) with Tapered Bolts (long), tightening bolts only halfway.

Attach Rail (D) to unit with Head Cap Bolts, Spring Washers and Flat Washers, tightening bolts only halfway.

Attach Hanger (E) to unit with Tapered Bolts (short), tightening bolts only halfway.

## STEP 5

Attach Shelf (J) to unit with Head Cap Bolts, Spring Washers and Flat Washers (large), tightening bolts only halfway.

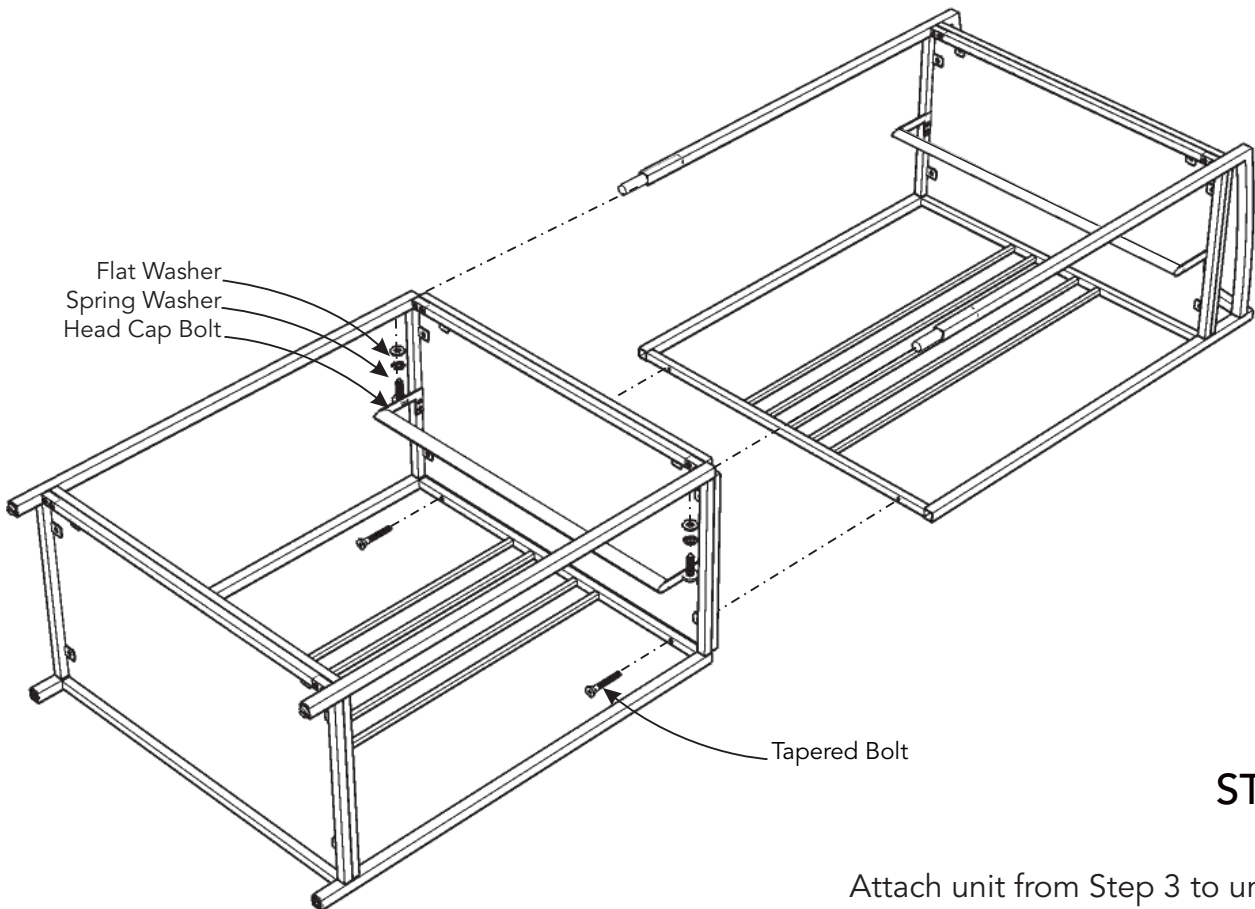
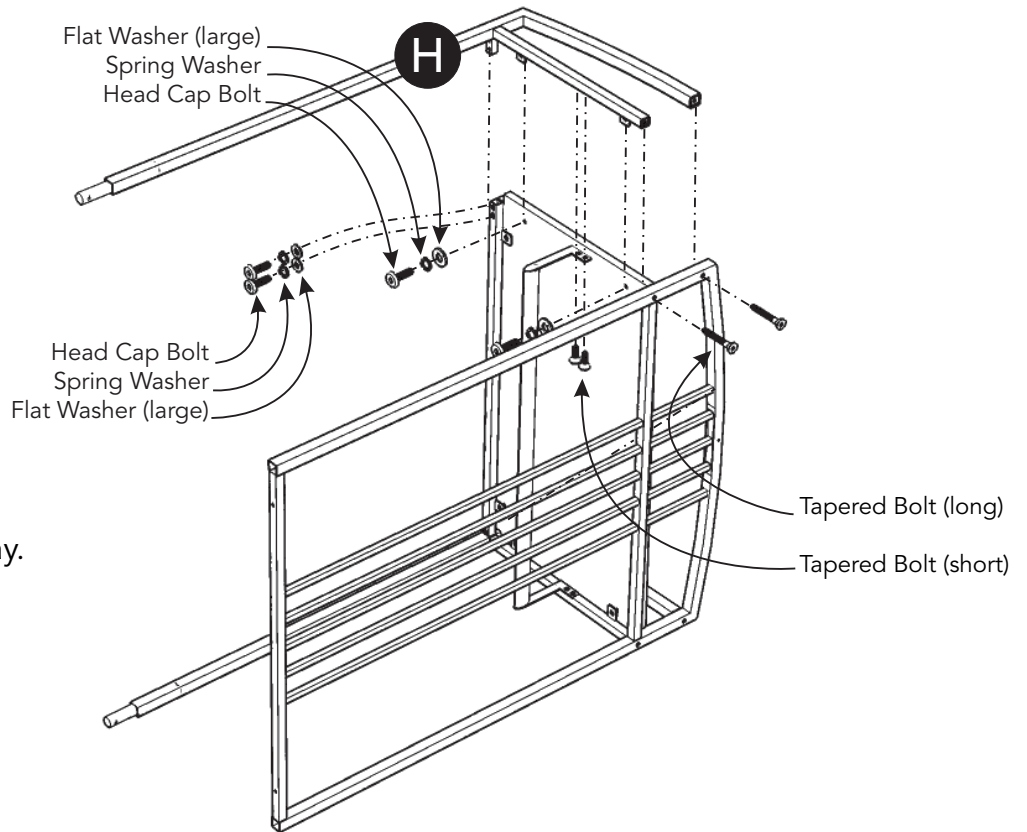


## Assembly Instructions 5/8

### STEP 6

Attach Side (H) to unit with Head Cap Bolts, Spring Washers, Flat Washers, Flat Washers (large), Tapered Bolts (short) and Tapered Bolts (long), tightening bolts only halfway.

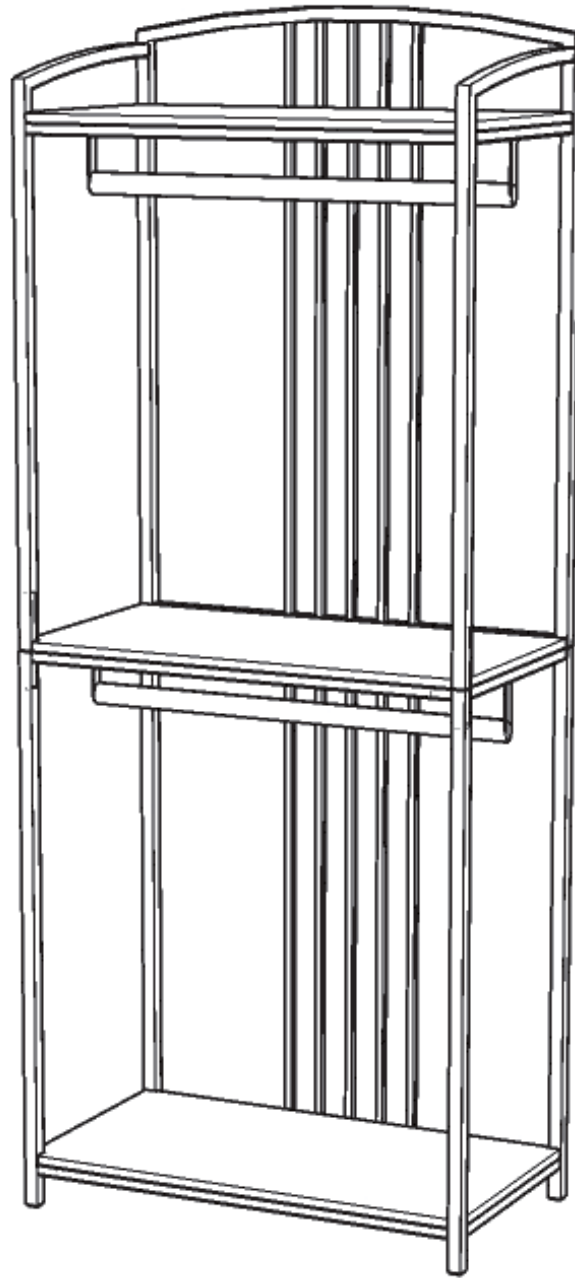
Tighten all bolts used in Steps 4, 5 and 6.



### STEP 7

Attach unit from Step 3 to unit with Tapered Bolts, Head Cap Bolts, Spring Washers and Flat Washers, tightening bolts only halfway.

Tighten all bolts.



## STEP 8

Turn unit to its upright position.

Place unit at desired location.

Note: If assembling multiple Closet Wall Units together place all units at desired location.

Level unit(s) by adjusting the adjustable levelers on bottom of unit(s).  
(See Figure 5)

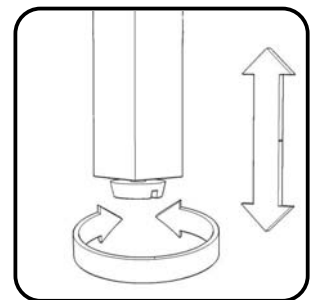


Figure 5

## Assembly Instructions 7/8

### IMPORTANT

• To help reduce the risk of the unit tipping over, the Tipover Restraint must be installed following these instructions exactly.

### STEP 9

Drill a 3/8" hole in wall in-line with pre-drilled hole at top of unit.

Move unit.

Insert Anchor into the wall hole and attach Bracket with Wall Screw.

Attach Bracket at pre-drilled hole at back of unit with Machine Screw.

Move unit back into place.

If assembling multiple Closet Wall Units together, go to and complete Step 10 now, then return to and complete Step 9.

Slide Tipover Restraint through Bracket on wall and Bracket on unit.  
(See Figure 6)

Put tie end of Tipover Restraint into lock end of Tipover Restraint and pull until tight.

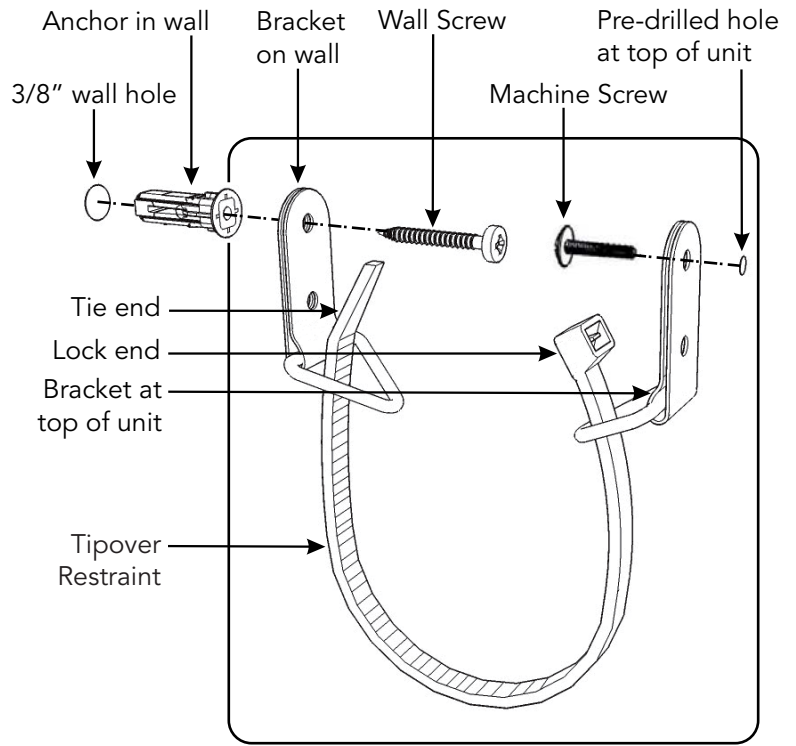
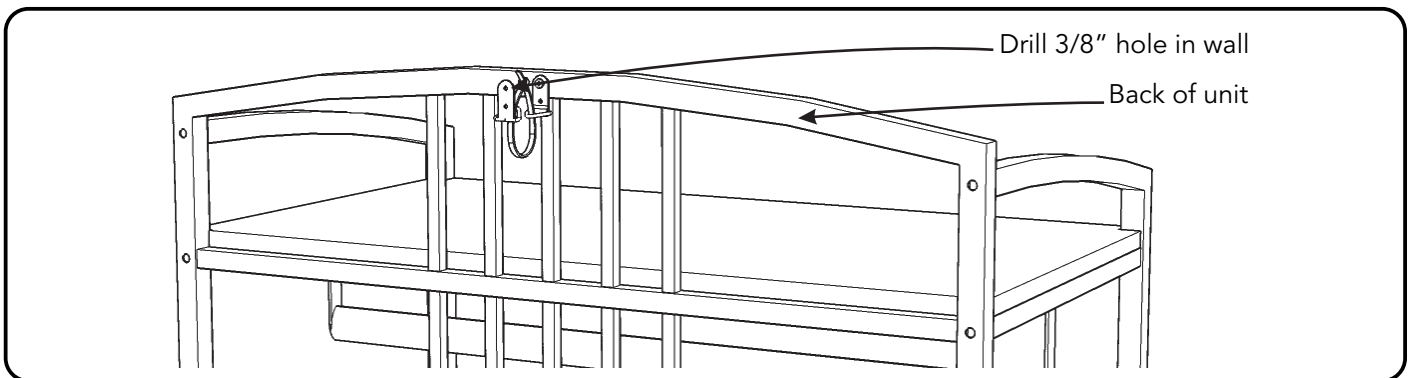
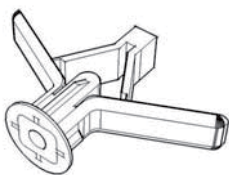


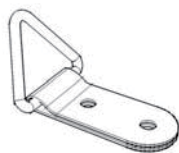
Figure 6



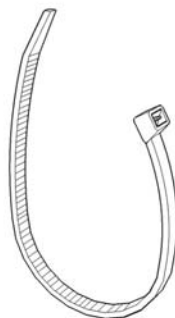
### Hardware List



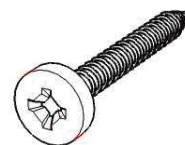
Anchor  
1 pc. (+1 extra)



Bracket  
2 pcs. (+1 extra)



Tipover Restraint  
1 pc. (+1 extra)



M3.5x40  
Wall Screw  
1 pc. (+1 extra)



M4x10  
Machine Screw  
1 pc. (+1 extra)

## Assembly Instructions 8/8

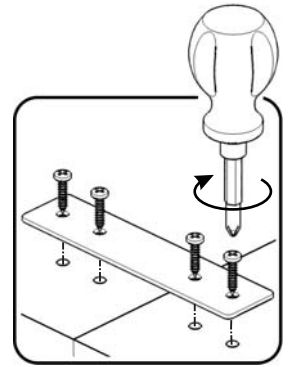
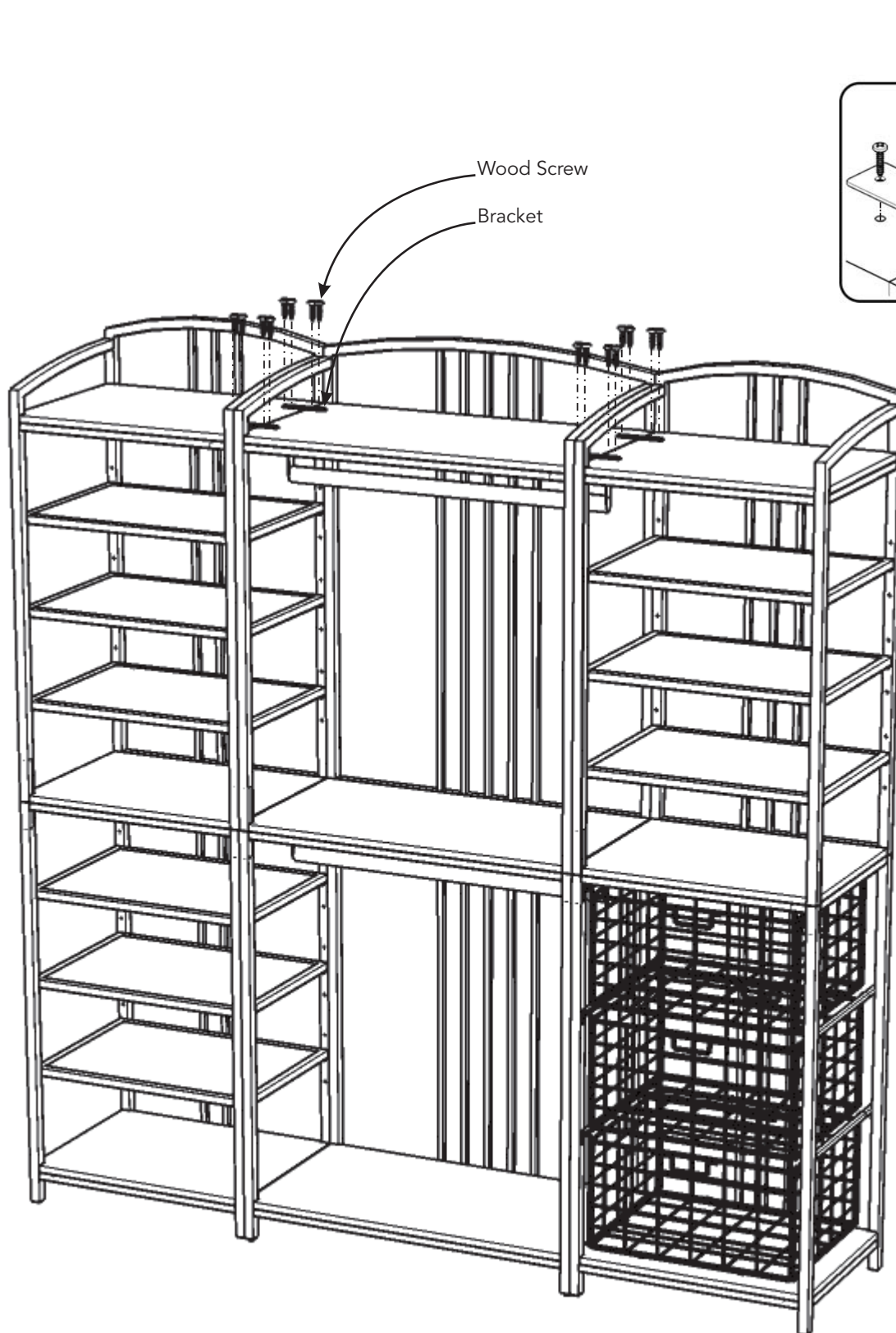


Figure 7

### STEP 10

Note: If assembling multiple Closet Wall Units together, complete Step 10.

Attach tops of units together with Brackets and Wood Screws into pre-drilled holes.  
(See Figure 7)

Return to and complete Step 9.



# CARE INSTRUCTIONS

## NEVER

allow liquids to remain on furniture.  
Absorption causes parts to warp  
and split and finishes to delaminate.

## NEVER

use glass cleaners on  
finished furniture. Ammonia  
chemically attacks the finish.



Do not use power tools  
above 8 volts to assemble.

**PREVENT  
CRACKING**



Do not place  
in direct sunlight.

**PREVENT  
FADING**



Do not write  
directly on surface.

**PREVENT  
MARKING**



Do not place hot  
objects on surface.

**PREVENT  
FINISH DAMAGE**



Do not use rubber  
based placemats.

**PREVENT  
DISCOLORING**



Do not use commercial  
waxes and polishes.

**PREVENT  
YELLOWING**

## CLEAN

with a soft cloth moistened  
in lukewarm soap and water.  
Buff with a dry clean cloth.



Home Styles will provide replacements free of charge for missing or damaged hardware or parts within 30 days of purchase. Digital images of the defective parts may be required. If the product was not purchased from an authorized retail affiliate, Home Styles is under no obligation to provide replacement parts. Parts are not available for fully assembled items nor are parts available for sale. Replacements for missing or damaged hardware or parts may be requested at:

[www.homestyles-furniture.com/customer-service/replacement-parts](http://www.homestyles-furniture.com/customer-service/replacement-parts)

Home Styles Customer Service: [www.homestyles-furniture.com](http://www.homestyles-furniture.com),  
[servicedesk@homestyles-furniture.com](mailto:servicedesk@homestyles-furniture.com), 888-680-7460, 877-831-0319