

# 88 5760 103

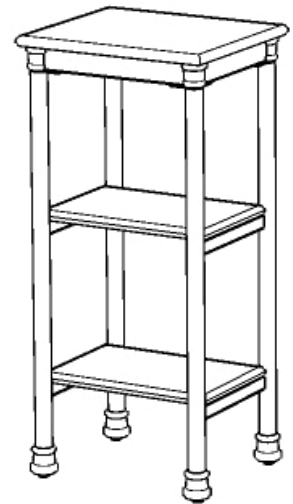
## The Orleans 3 Tier Tower

### IMPORTANT NOTE

Carefully remove all the parts from the carton and put them individually on a soft cloth to prevent scratches or other damages occurring to the parts.

We have taken great care in the design of this product and request that you carefully and strictly follow our assembly instructions to ensure a completed product as it was designed.

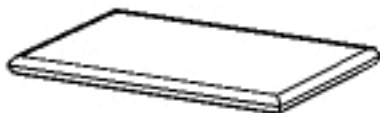
*Home Styles*



### Part List

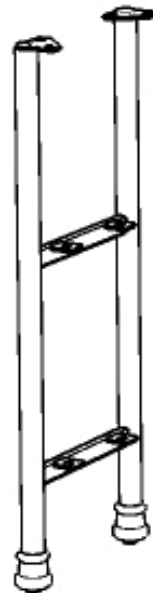


**A.**  
**Top**  
1 pc.

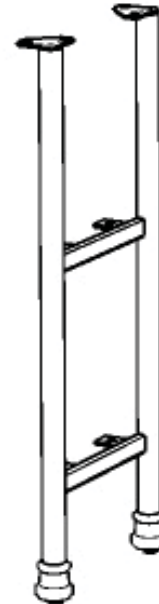


**D.**  
**Shelf**  
2 pcs.

**B.**  
**Side Frame**  
1 pc.



**C.**  
**Side Frame**  
1 pc.



### Hardware List



**Hex Wrench**  
1 pc.



**Spring Washer**  
8 pcs. (+1 extra)



**Flat Washer**  
8 pcs. (+1 extra)



**Head Cap Bolt**  
8 pcs. (+1 extra)



**Head Cap Bolt (short)**  
8 pcs. (+1 extra)



**Small Hex Wrench**  
1 pc.

Tools required for assembly : **Phillips** screwdriver

Tools recommended for assembly : Level

**Home Styles Consumer Assistance:** [www.homestyles-furniture.com](http://www.homestyles-furniture.com),  
[servicedesk@homestyles-furniture.com](mailto:servicedesk@homestyles-furniture.com), 888-680-7460, 877-831-0319

## IMPORTANT

- \* Do not tighten up all the screws until each part is properly assembled.
- \* You should keep Hex Wrench in a safe place as you may need to tighten up the Head Cap Bolts in the future.
- \* After assembly, item must be level to work properly. Use the included adjustable levelers to level.

## STEP 1

Attach Side Frame (B) and (C) to Top (A) with Head Cap Bolt (short). (See Figure 1)

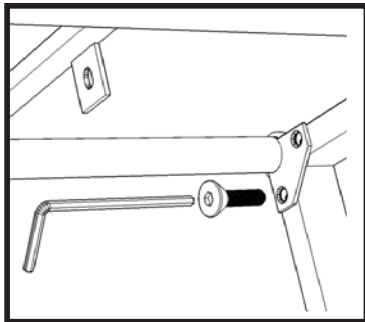


Figure 1

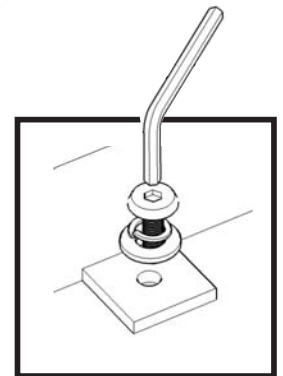
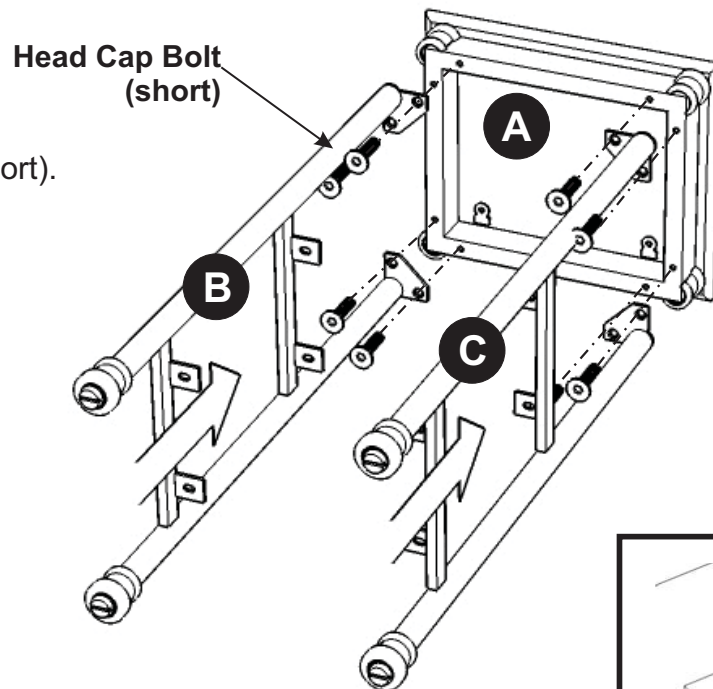


Figure 2

## STEP 2

Attach Shelves (D) to unit with Flat Washers, Spring Washers and Head Cap Bolts. (See Figure 2)

## STEP 3

Turn the unit over to its' upright position. To level the unit, adjust the adjustable levelers on the bottom of unit. (See Figure 3)

**Note: Unit must be level to work properly.**

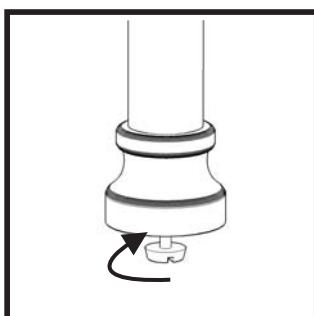


Figure 3

