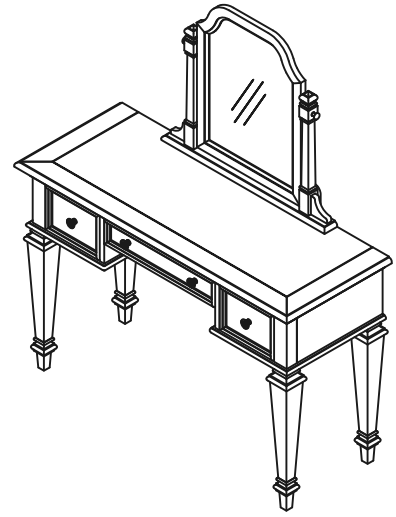


# Vanity with Mirror



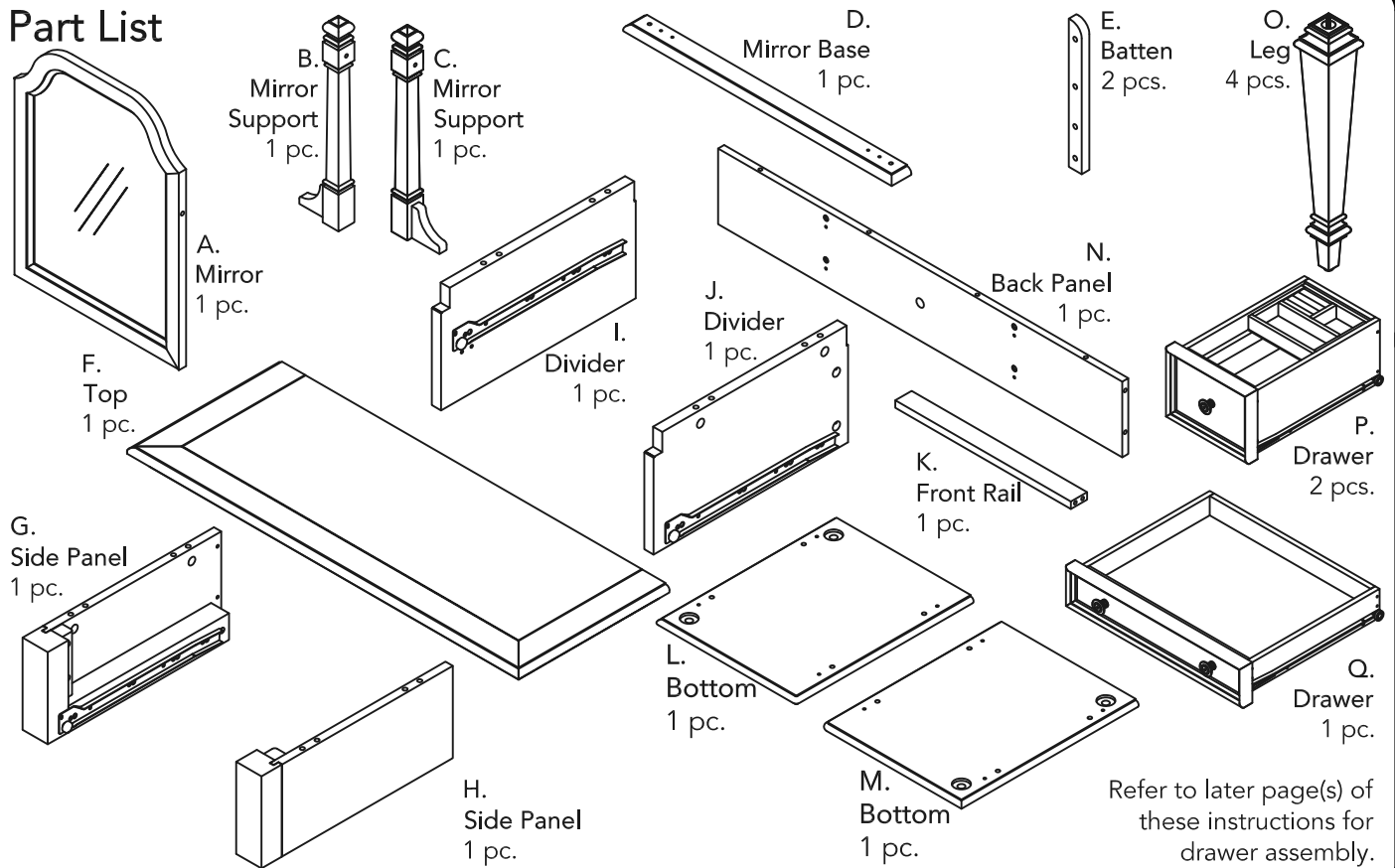
## IMPORTANT

Carefully remove all the parts from the carton and place them individually on a soft cloth to prevent scratches or other damage.

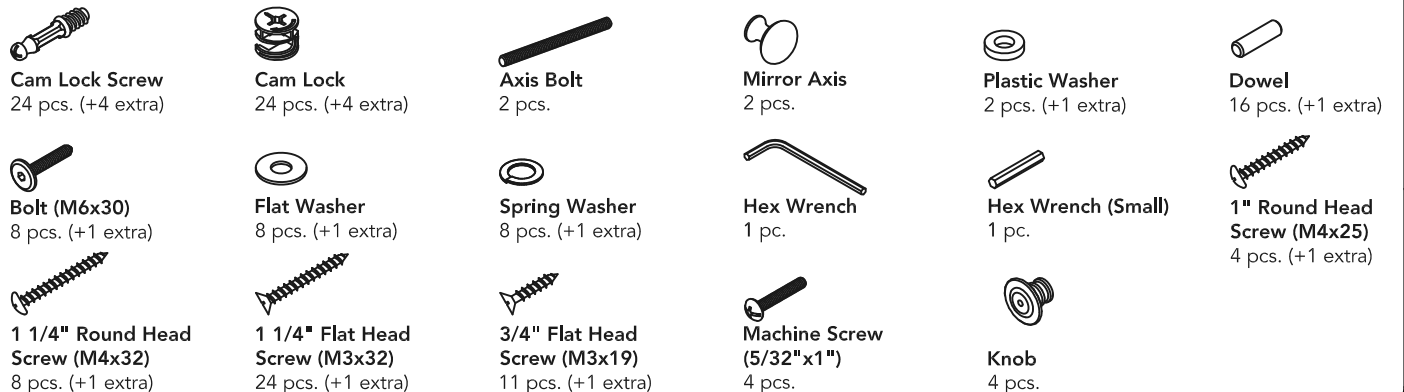
Carefully and strictly follow these assembly instructions to ensure a completed product as designed.

Do not use power tools above 8 volts to assemble.

## Part List



## Hardware List



Tool(s) required for assembly: Phillips screwdriver, Level, Pencil, Drill (8 volts or less), 3/8" Drill Bit

Home Styles Customer Service: [www.homestyles-furniture.com](http://www.homestyles-furniture.com),  
[servicedesk@homestyles-furniture.com](mailto:servicedesk@homestyles-furniture.com), 888-680-7460, 877-831-0319

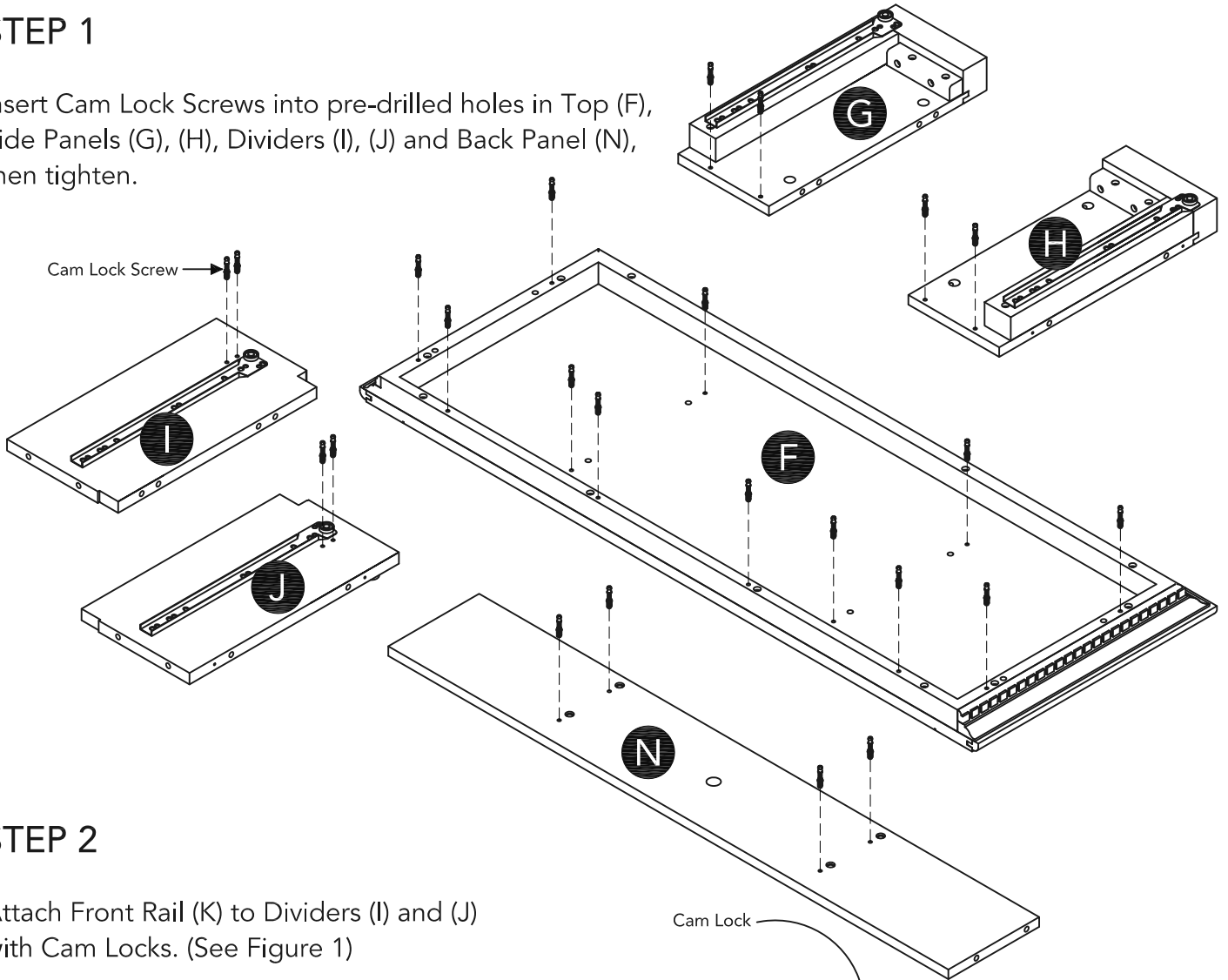
# Assembly Instructions 2/11

## IMPORTANT

- Use a soft cloth between these parts and the floor.
- Do not use power tools above 8 volts to assemble.
- Do not tighten all the screws until each part is properly assembled.
- The unit must be level to work properly. Use the included adjustable levelers to level.
- Keep Hex Wrench as the bolts may need to be tightened in the future.

## STEP 1

Insert Cam Lock Screws into pre-drilled holes in Top (F), Side Panels (G), (H), Dividers (I), (J) and Back Panel (N), then tighten.



## STEP 2

Attach Front Rail (K) to Dividers (I) and (J) with Cam Locks. (See Figure 1)

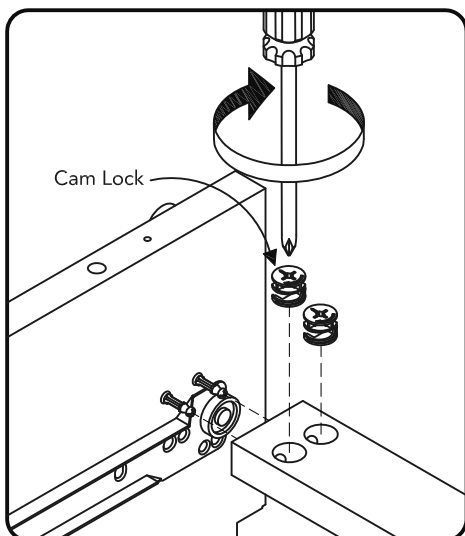
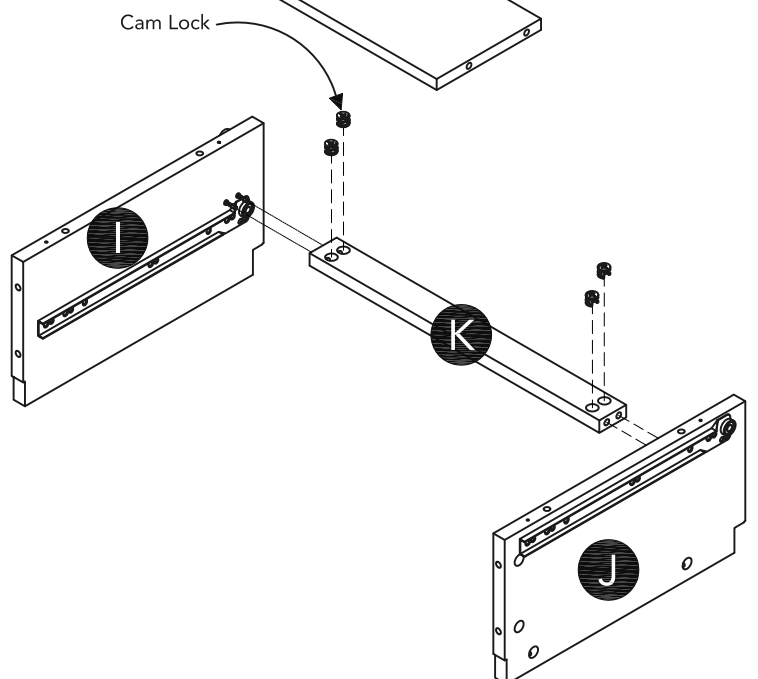


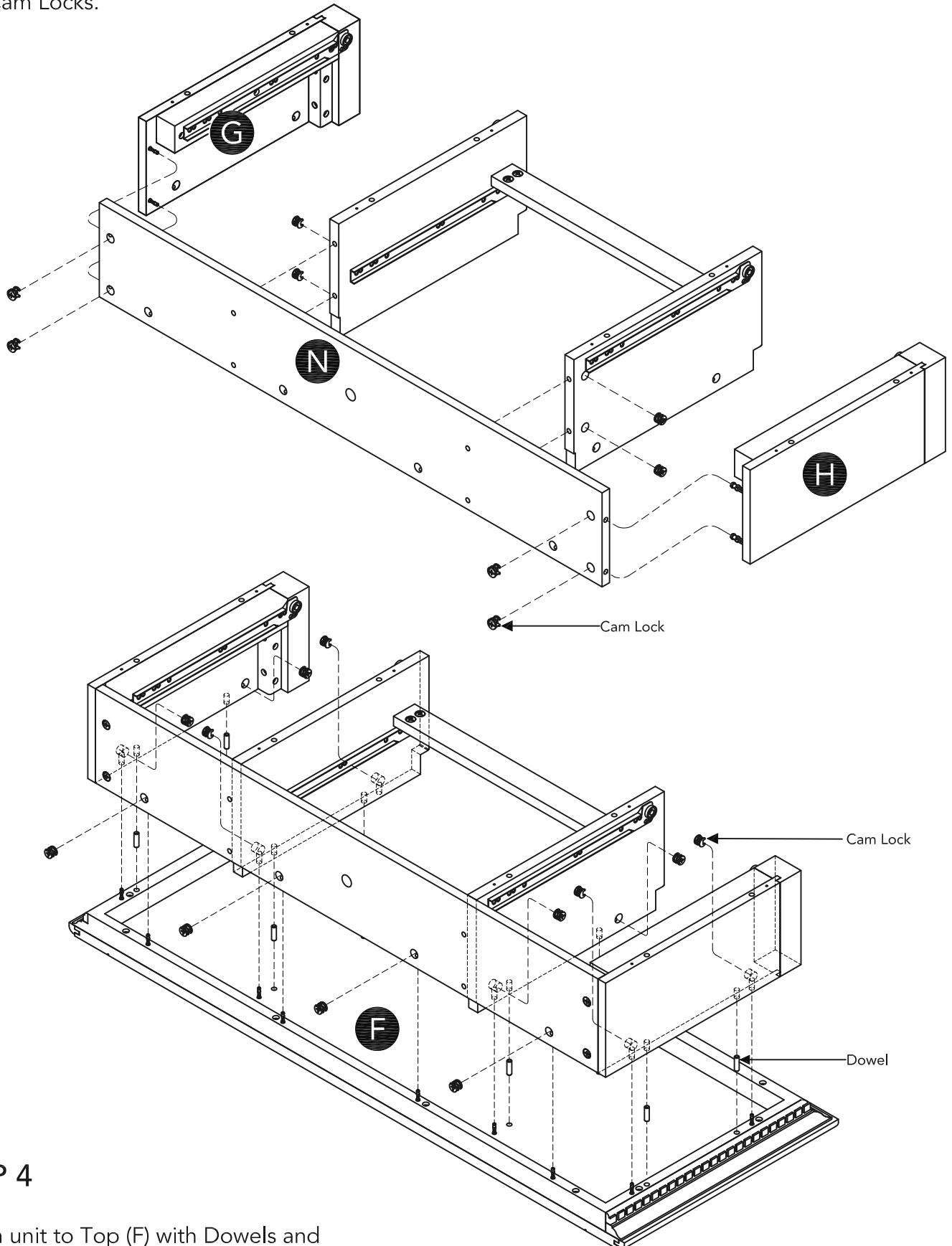
Figure 1



# Assembly Instructions 3/11

## STEP 3

Attach Side Panels (G), (H) and unit to Back Panel (N) with Cam Locks.



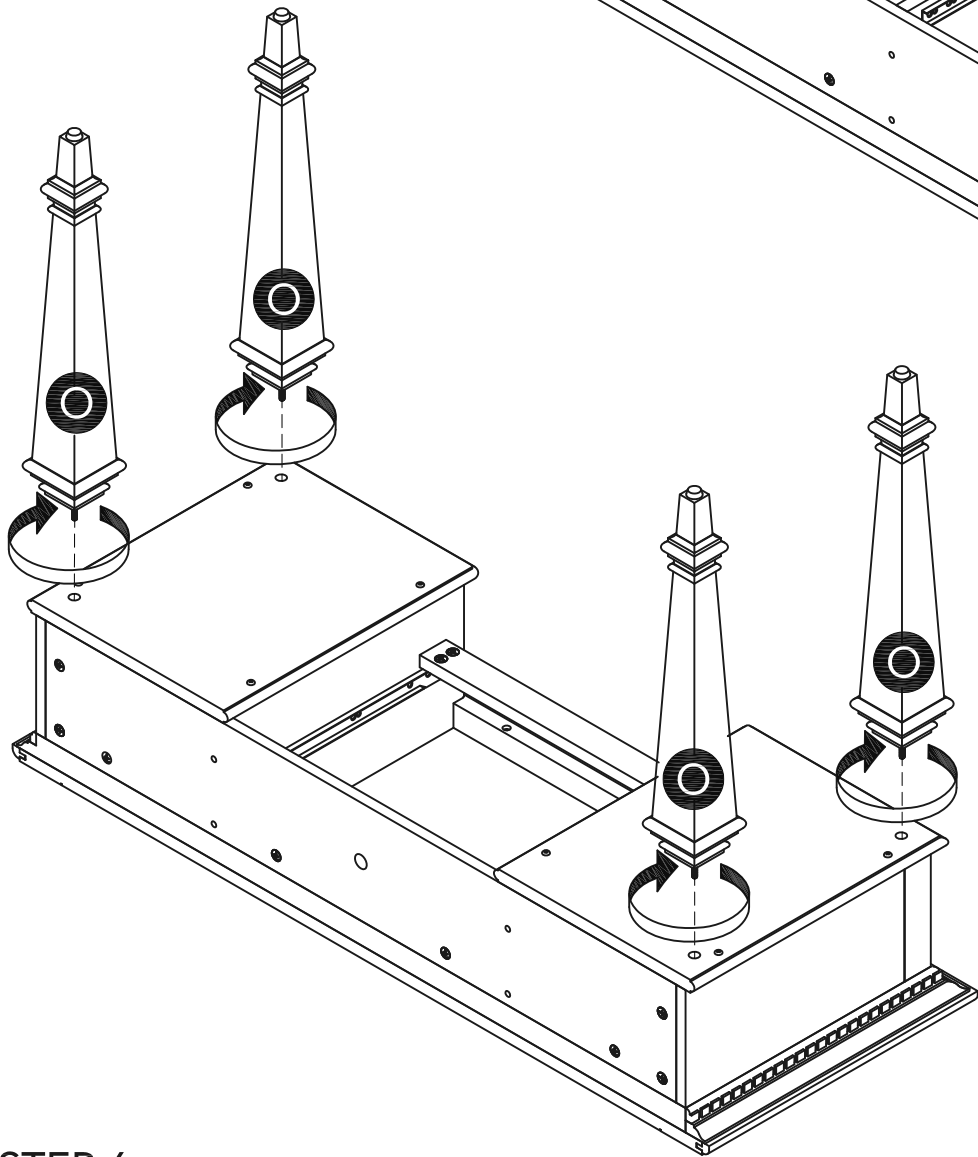
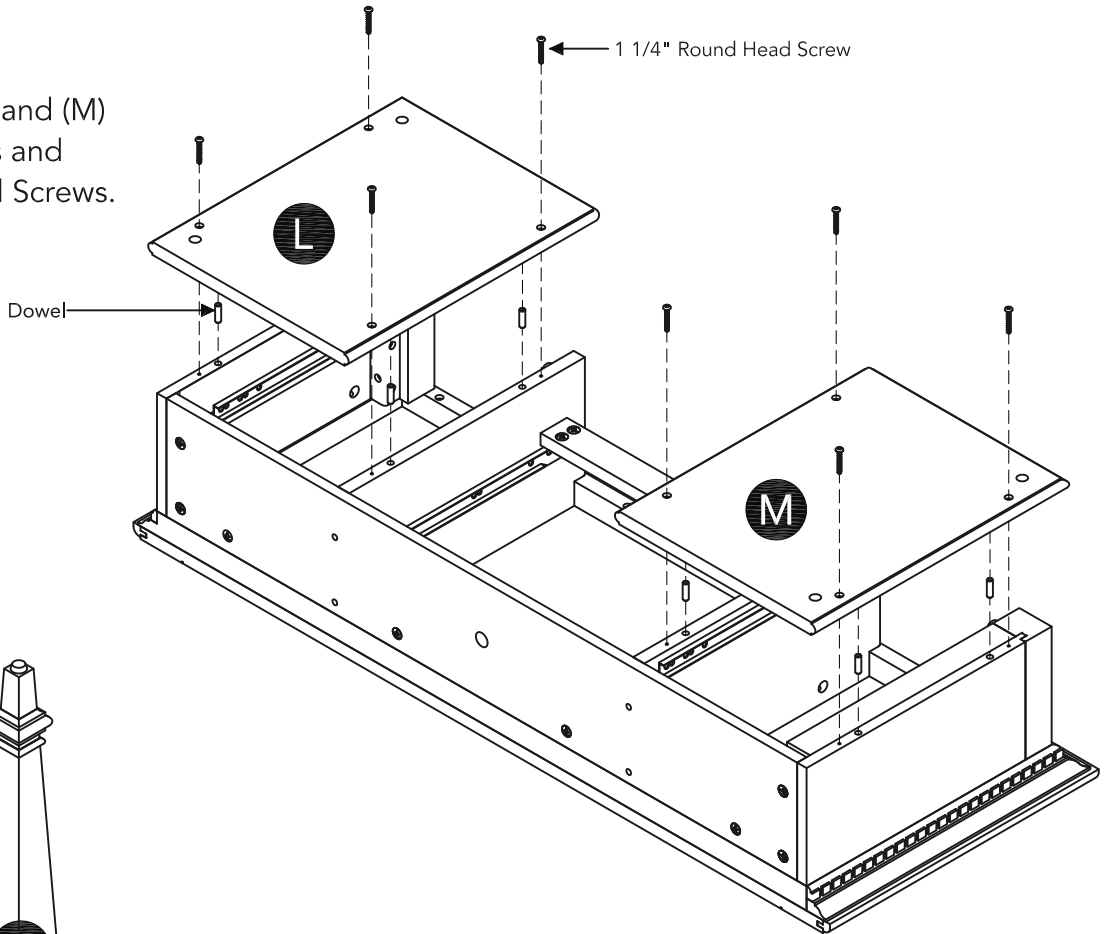
## STEP 4

Attach unit to Top (F) with Dowels and Cam Locks.

# Assembly Instructions 4/11

## STEP 5

Attach Bottoms (L) and (M) to unit with Dowels and 1 1/4" Round Head Screws.



Correct

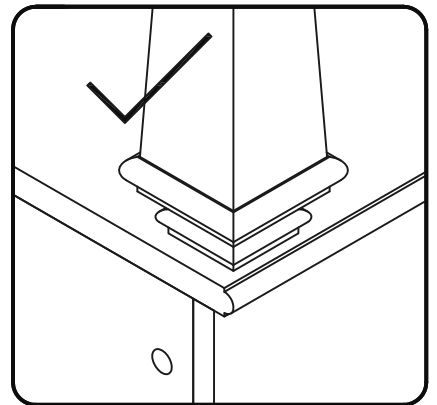


Figure 2

Incorrect

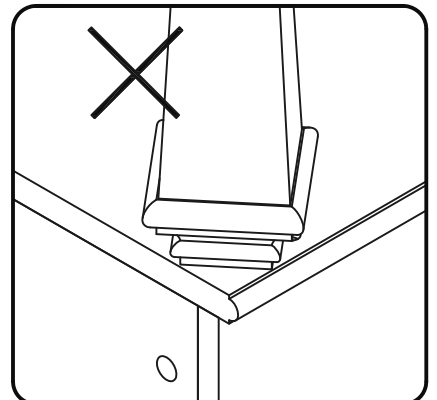


Figure 3

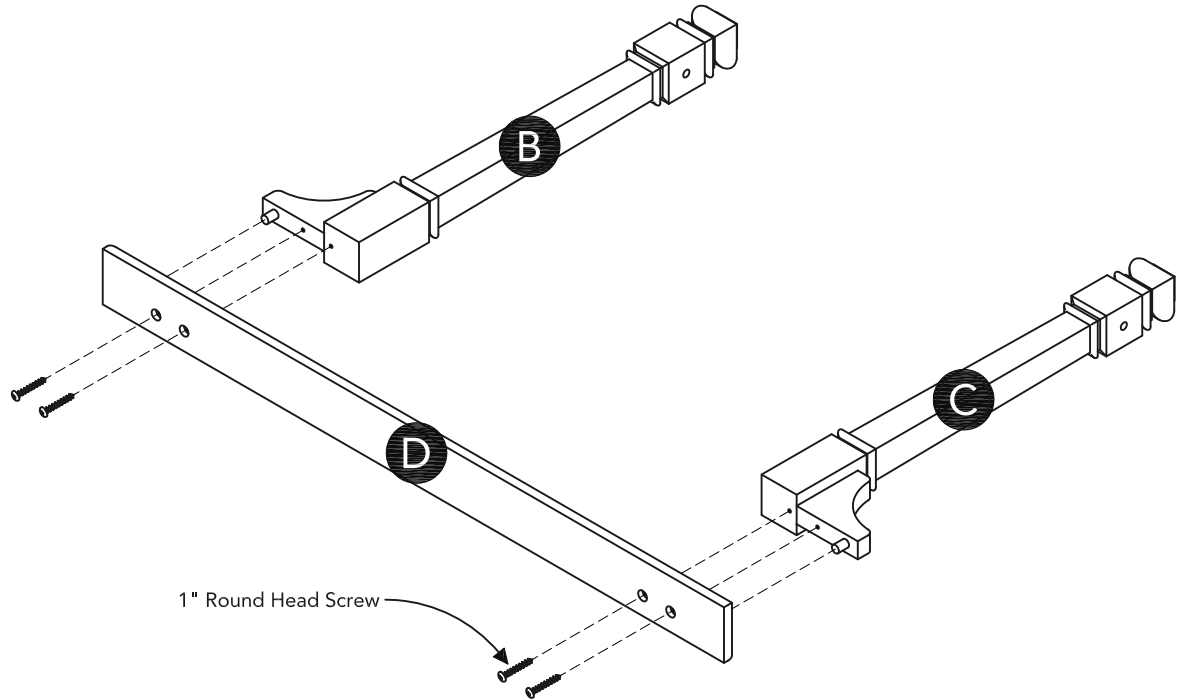
## STEP 6

Attach Legs (O) to unit, orientating Legs (O) properly. (See Figures 2 and 3)

# Assembly Instructions 5/11

## STEP 7

Attach Mirror Supports (B) and (C) to Mirror Base (D) with 1" Round Head Screws.



## STEP 8

Attach Mirror (A) to unit using Axis Bolts, Mirror Axes and Plastic Washers. (See Figure 4)

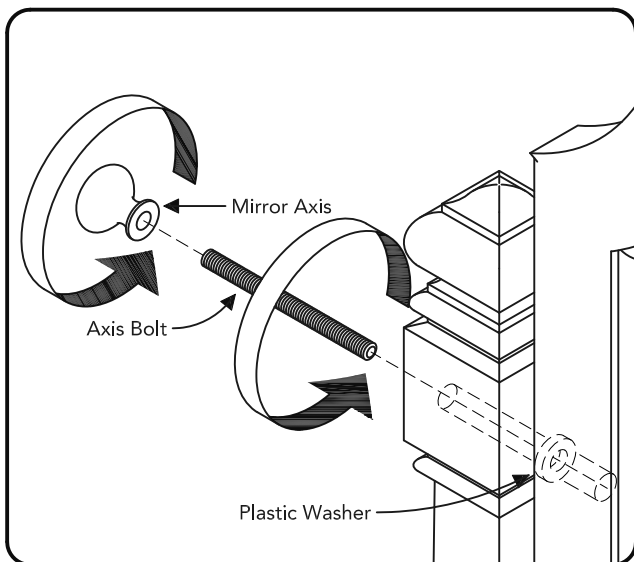
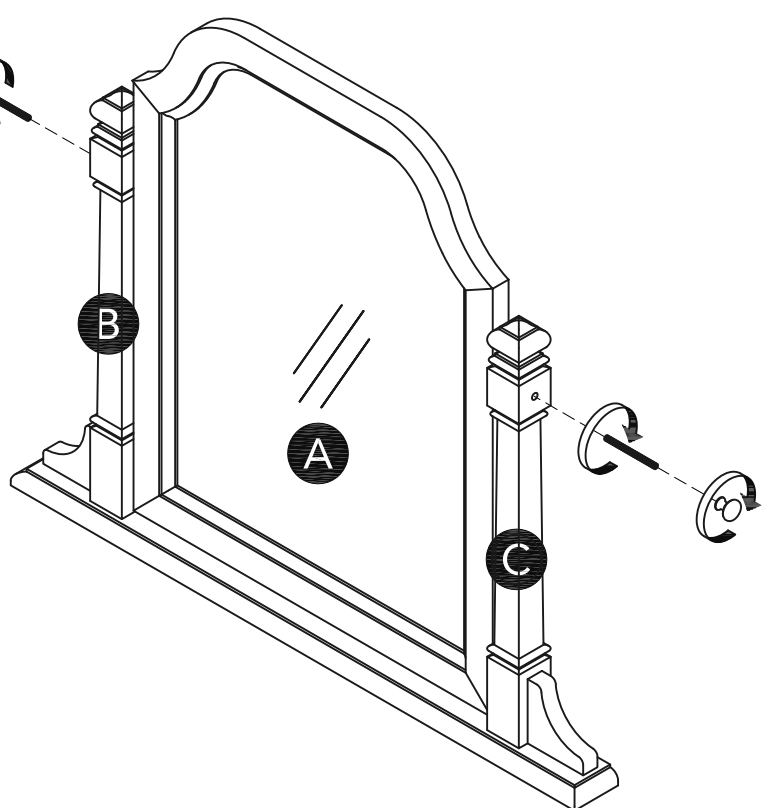


Figure 4



# Assembly Instructions 6/11

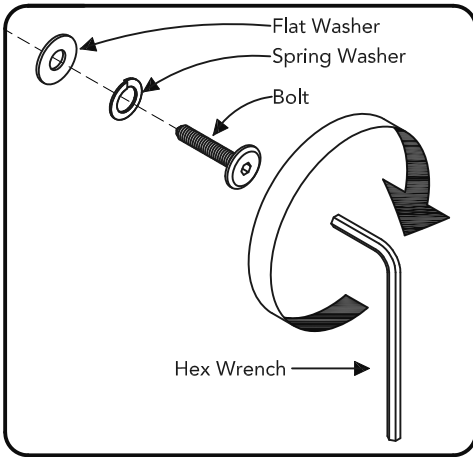
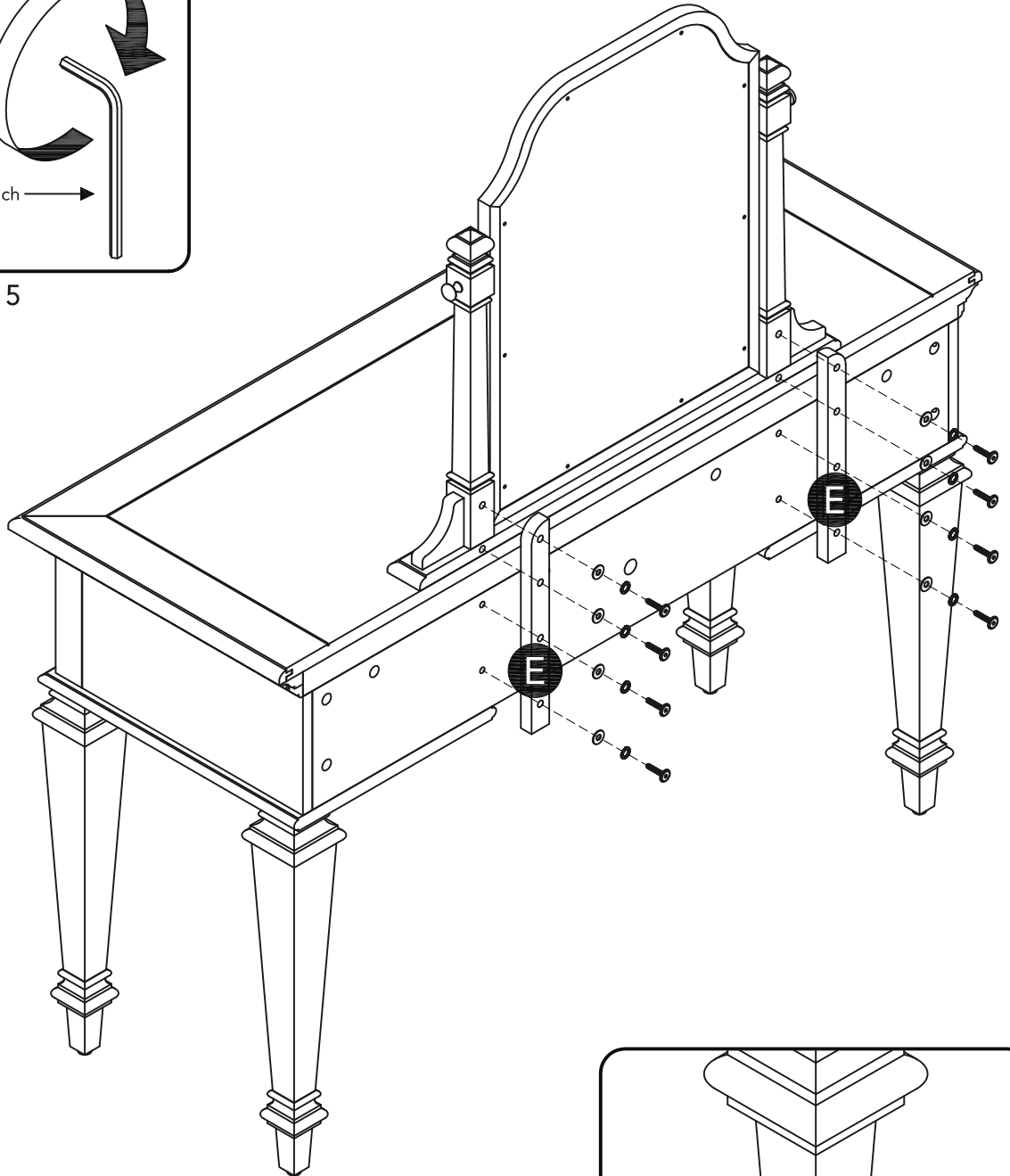


Figure 5



## STEP 9

Turn unit to its upright position.

Attach Batters (E) to unit from Step 6 and unit from Step 8 with Bolts, Spring Washers and Flat Washers.

Tighten Bolts using Hex Wrench. (See Figure 5)

Level unit by adjusting the adjustable levelers on bottom of legs. (See Figure 6)

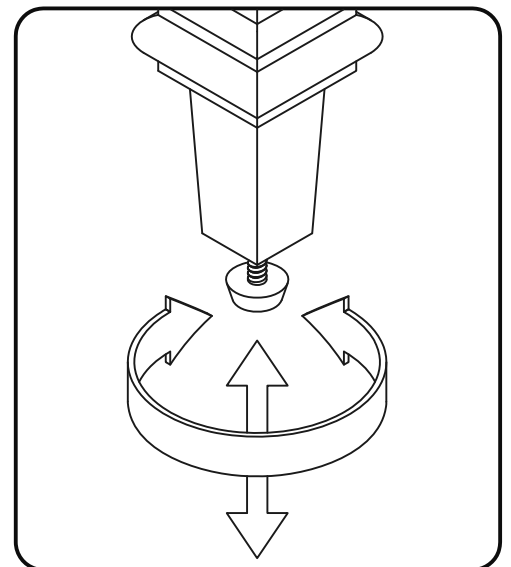


Figure 6

# Assembly Instructions 7/11

## IMPORTANT

- To help reduce the risk of the unit tipping over, the Tipover Restraint must be installed following these instructions exactly.

## STEP 10

Place the unit at desired location.

Mark wall with pencil to show position of hole in Back Panel (N). (See Figure 7)

Move unit.

Drill a 3/8" hole in wall 1" below mark.

Insert Anchor into the wall hole and attach Tipover Restraint to Anchor with 1 1/2" Round Head Screw and Flat Washer. (See Figure 8)

Move unit back into place and insert Tipover Restraint into unit through hole in Back Panel (N). (See Figure 9)

Attach Tipover Restraint to unit with 1/2" Round Head Screw and Flat Washer. (See Figure 10)

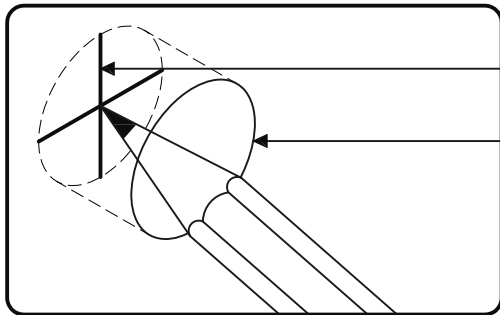
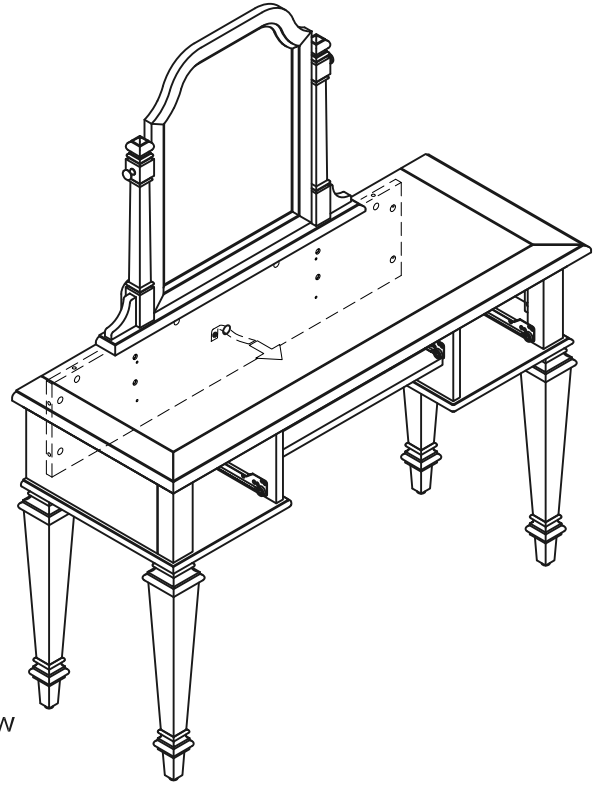


Figure 7

Pencil mark  
Hole in Back Panel (N)

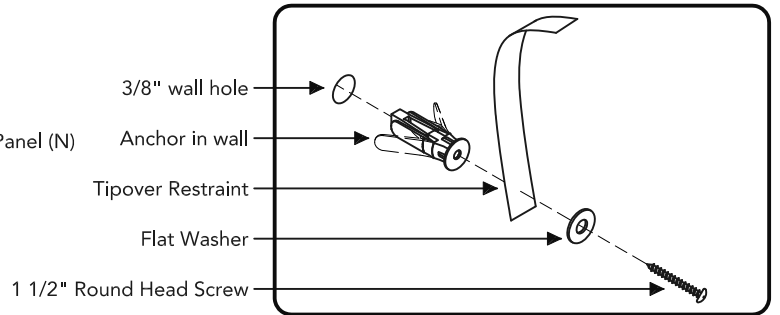


Figure 8

3/8" wall hole  
Anchor in wall  
Tipover Restraint  
Flat Washer  
1 1/2" Round Head Screw

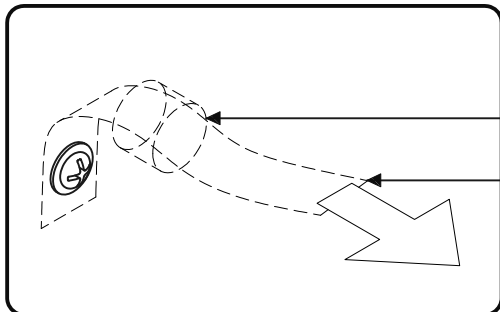


Figure 9

Hole in Back Panel (N)  
Tipover Restraint

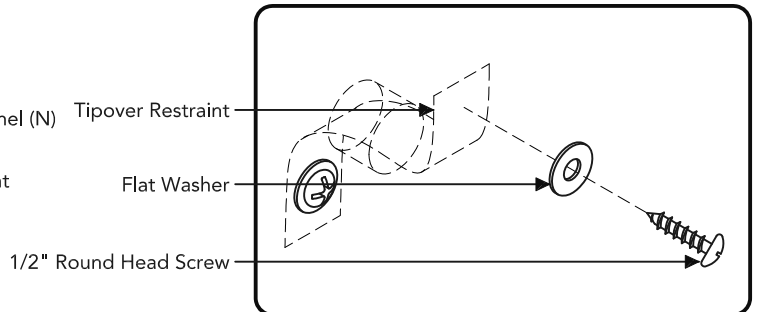
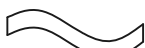


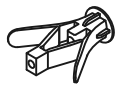
Figure 10

Tipover Restraint  
Flat Washer  
1/2" Round Head Screw

## Hardware List



Tipover Restraint  
1 pc.



Anchor  
1 pc. (+1 extra)



1 1/2" Round Head Screw  
(M3x38)  
1 pc. (+1 extra)

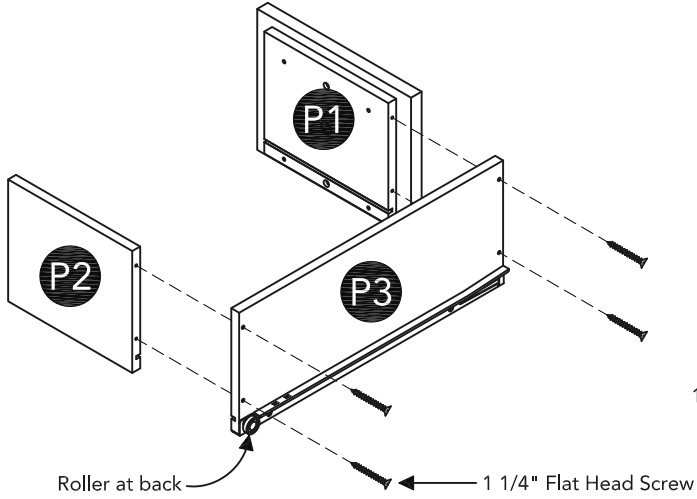


1/2" Round Head Screw  
(M3x13)  
1 pc. (+1 extra)



Flat Washer  
2 pcs. (+1 extra)

# Drawer (P)



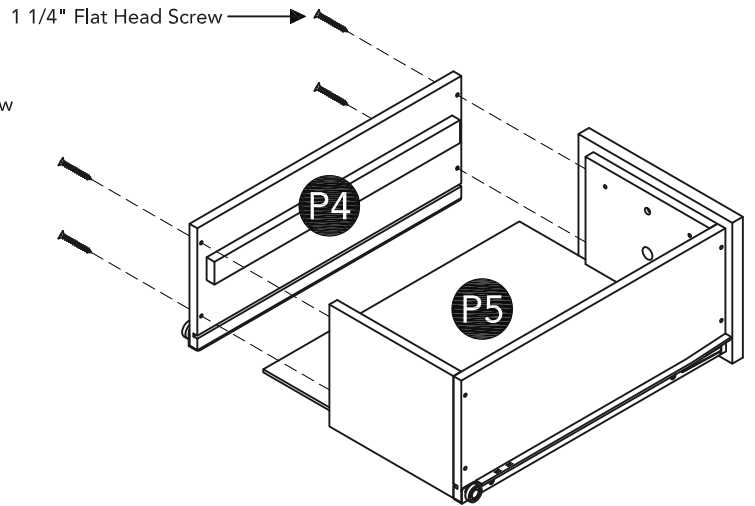
## STEP 11

Attach Drawer Side (P3) to Drawer Front (P1) and Drawer Back (P2) with 1 1/4" Flat Head Screws.

## STEP 12

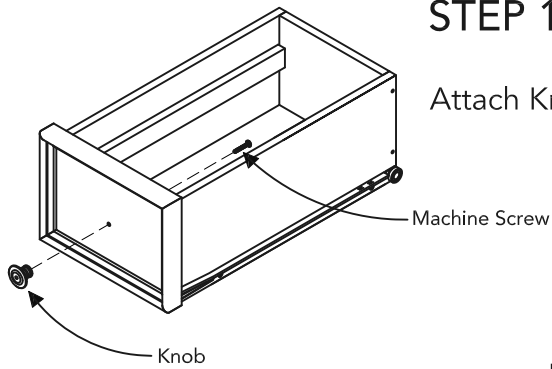
Insert Drawer Bottom (P5) into groove.

Attach Drawer Side (P4) to unit with 1 1/4" Flat Head Screws.



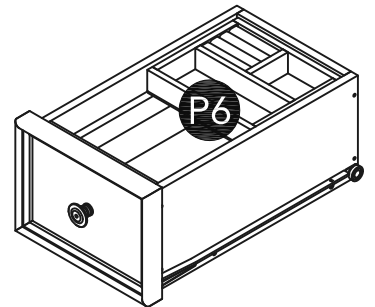
## STEP 13

Attach Knob with Machine Screw.



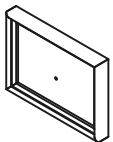
## STEP 14

Place Jewel Box (P6) into position.

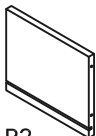


Note: Drawer assembly is not complete until 3/4" Flat Head Screws are used in a later step.

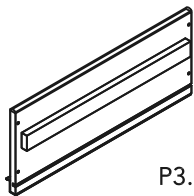
### Part List



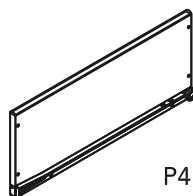
P1.  
Drawer Front  
2 pcs.



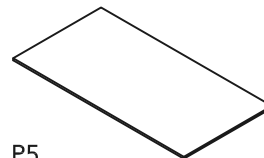
P2.  
Drawer Back  
2 pcs.



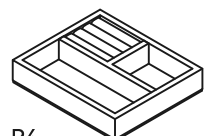
P3.  
Drawer Side  
2 pcs.



P4.  
Drawer Side  
2 pcs.



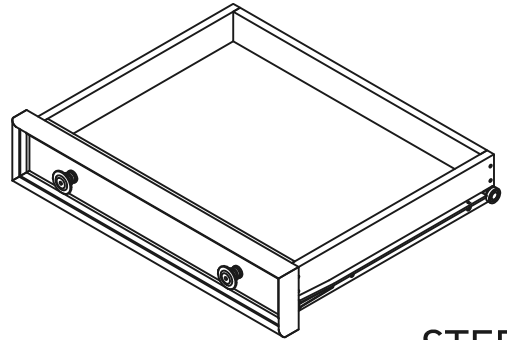
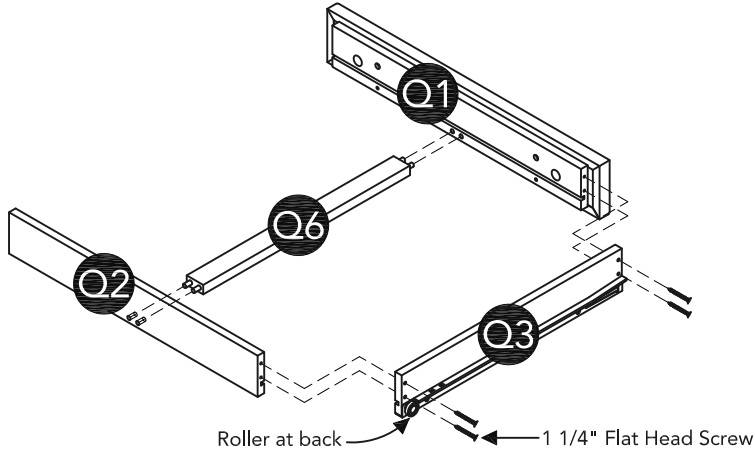
P5.  
Drawer Bottom  
2 pcs.



P6.  
Jewel Box  
2 pcs.



## Drawer (Q)



### STEP 15

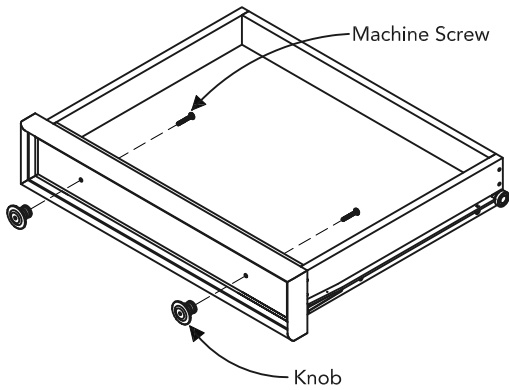
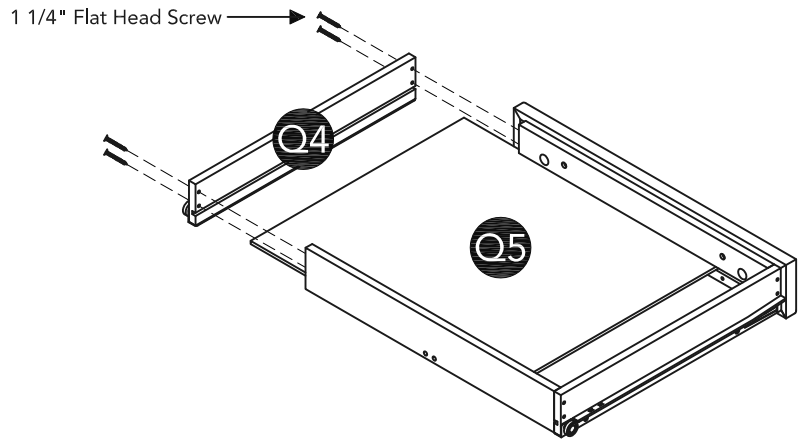
Attach Support (Q6) to Drawer Front (Q1) and Drawer Back (Q2).

Attach Drawer Side (Q3) to Drawer Front (Q1) and Drawer Back (Q2) with 1 1/4" Flat Head Screws.

### STEP 16

Insert Drawer Bottom (Q5) into groove.

Attach Drawer Side (Q4) to unit with 1 1/4" Flat Head Screws.

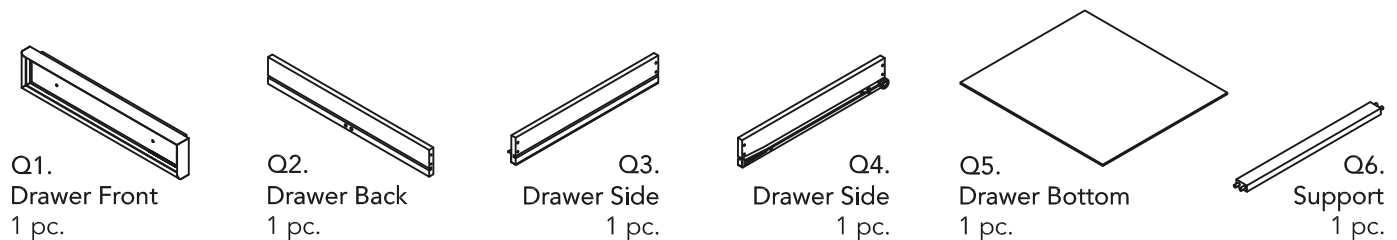


### STEP 17

Attach Knobs with Machine Screws.

Note: Drawer assembly is not complete until 3/4" Flat Head Screws are used in a later step.

### Part List

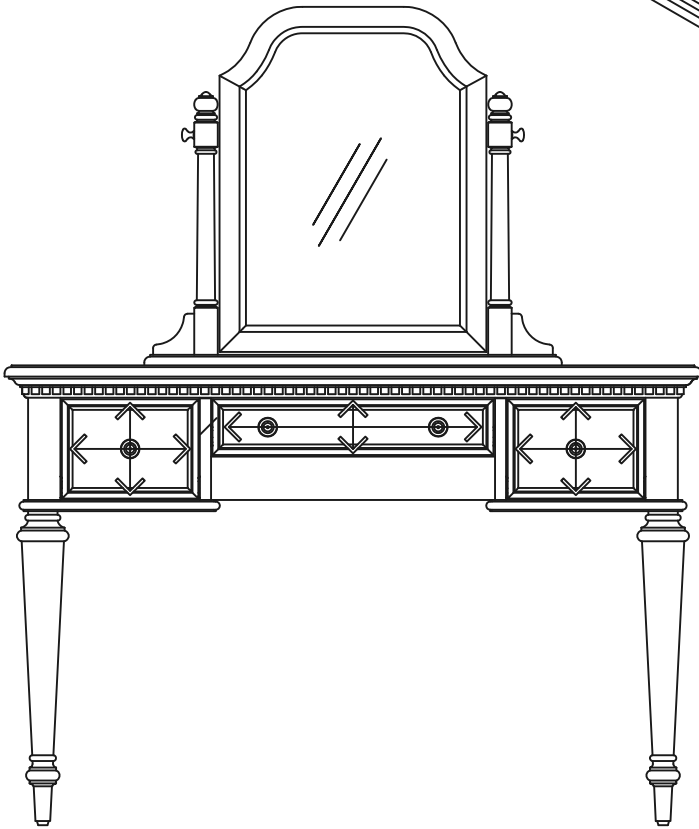
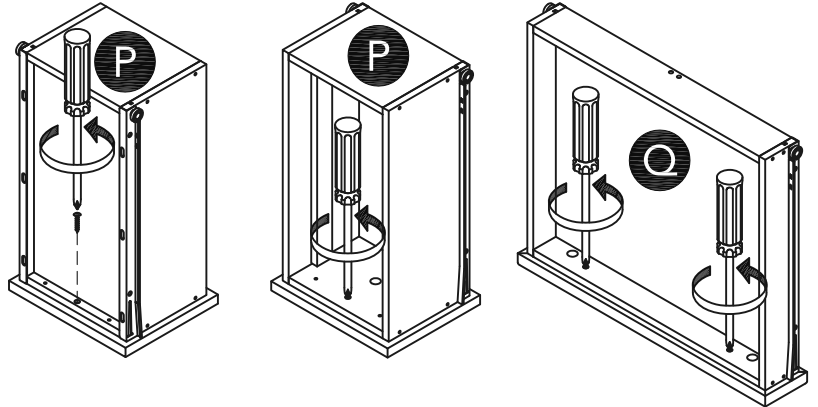


# Assembly Instructions 10/11

## STEP 18

For Drawer (P) uninstall lower center screw and loosen slightly upper center screw.

For Drawer (Q) loosen slightly screws pre-installed on back of drawer front.



## STEP 19

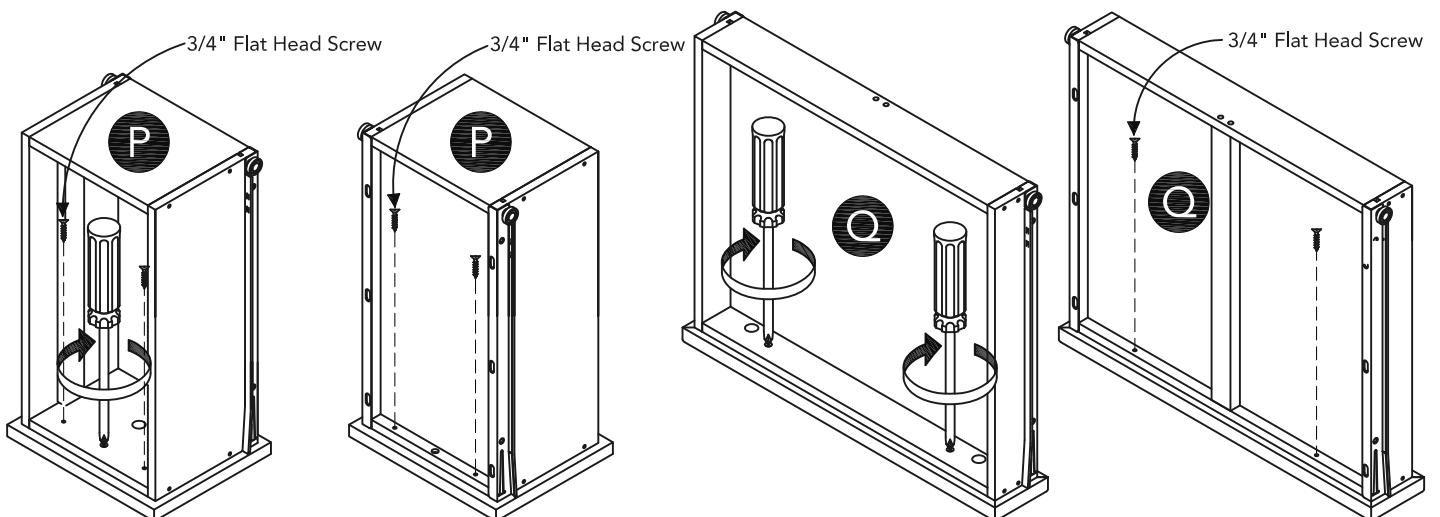
Insert drawers into unit, then adjust drawer front panels left or right and up or down until drawer gaps look proportional.

## STEP 20

Pull each drawer open slowly, then retighten screws from Step 18.

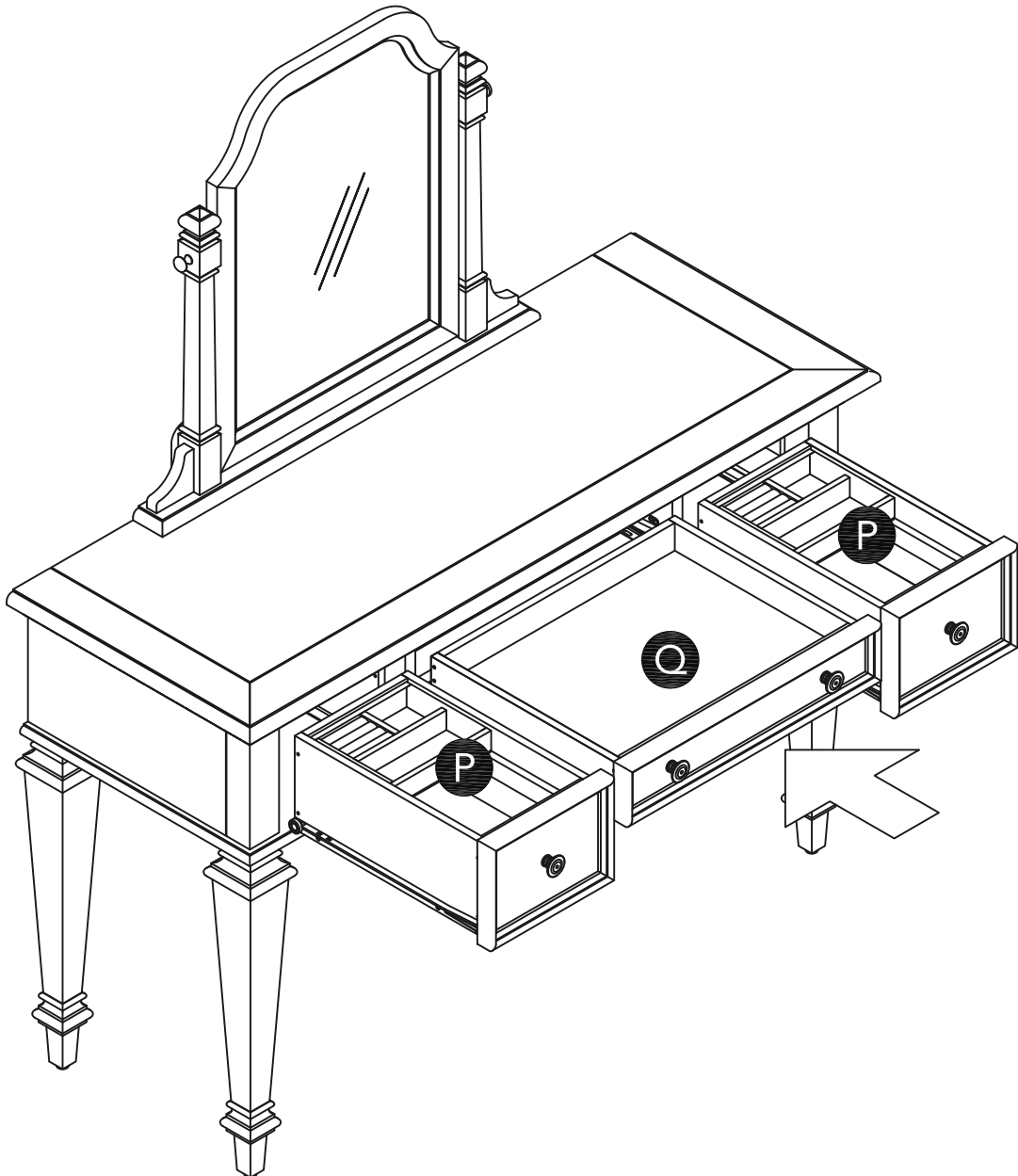
Make sure drawer front panels do not move and lock drawer front panels into position with 3/4" Flat Head Screws.

Note: These 3/4" Flat Head Screws must be installed to complete the drawer assembly.



STEP 21

Slide Drawers (P) and (Q) into position.



# CARE INSTRUCTIONS

## NEVER

allow liquids to remain on furniture.  
Absorption causes parts to warp  
and split and finishes to delaminate.

## NEVER

use glass cleaners on  
finished furniture. Ammonia  
chemically attacks the finish.



Do not use power tools  
above 8 volts to assemble.

**PREVENT  
CRACKING**



Do not place  
in direct sunlight.

**PREVENT  
FADING**



Do not write  
directly on surface.

**PREVENT  
MARKING**



Do not place hot  
objects on surface.

**PREVENT  
FINISH DAMAGE**



Do not use rubber  
based placemats.

**PREVENT  
DISCOLORING**

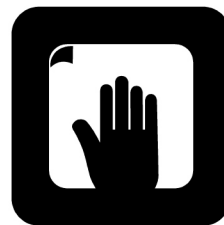


Do not use commercial  
waxes and polishes.

**PREVENT  
YELLOWING**

## CLEAN

with a soft cloth moistened  
in lukewarm soap and water.  
Buff with a dry clean cloth.



Home Styles will provide replacements free of charge for missing or damaged hardware or parts within 30 days of purchase. Digital images of the defective parts may be required. If the product was not purchased from an authorized retail affiliate, Home Styles is under no obligation to provide replacement parts. Parts are not available for fully assembled items nor are parts available for sale. Replacements for missing or damaged hardware or parts may be requested at:

[www.homestyles-furniture.com/customer-service/replacement-parts](http://www.homestyles-furniture.com/customer-service/replacement-parts)

Home Styles Customer Service: [www.homestyles-furniture.com](http://www.homestyles-furniture.com),  
[servicedesk@homestyles-furniture.com](mailto:servicedesk@homestyles-furniture.com), 888-680-7460, 877-831-0319