

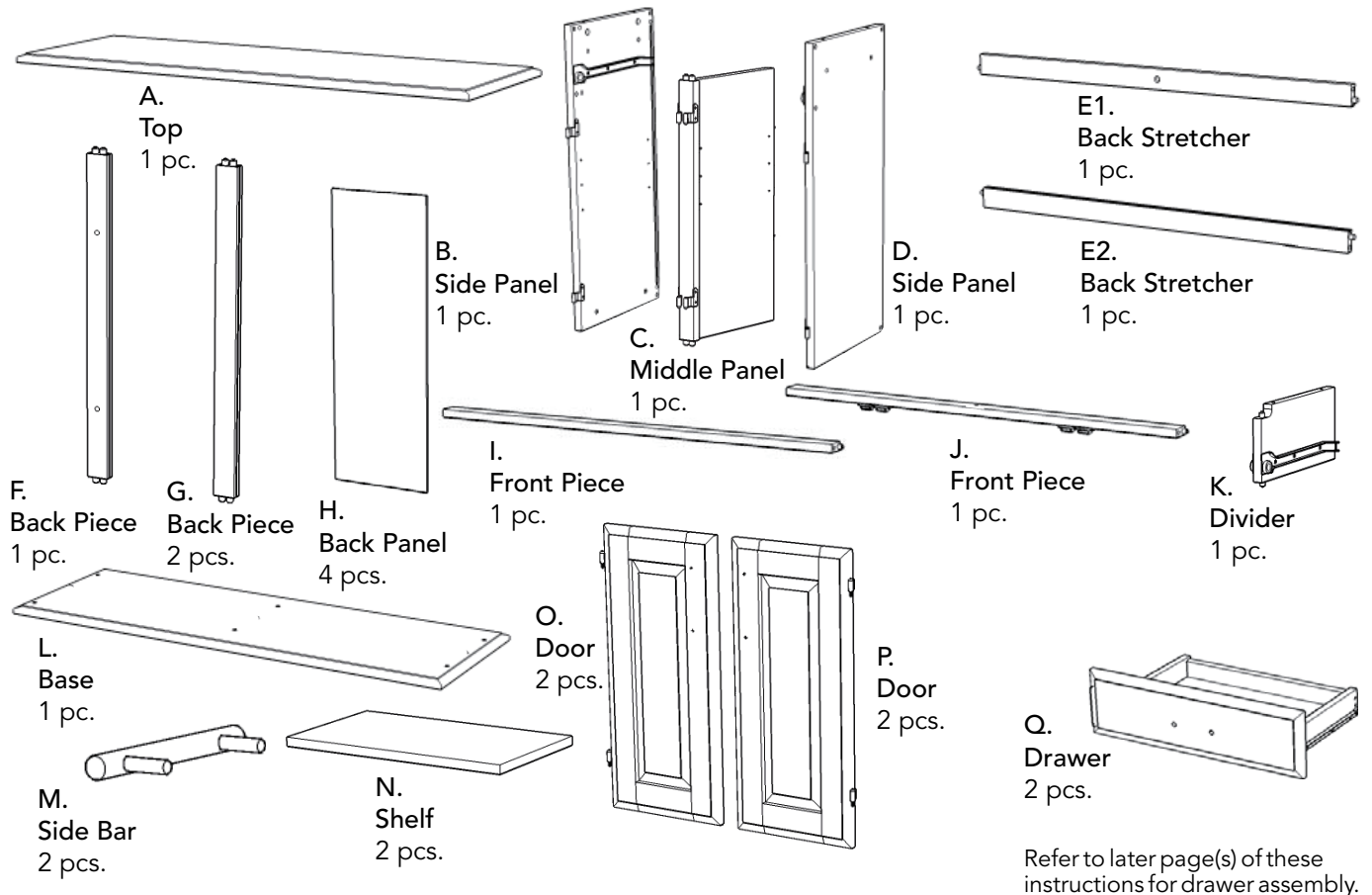
**IMPORTANT**

Carefully remove all the parts from the carton and place them individually on a soft cloth to prevent scratches or other damage.

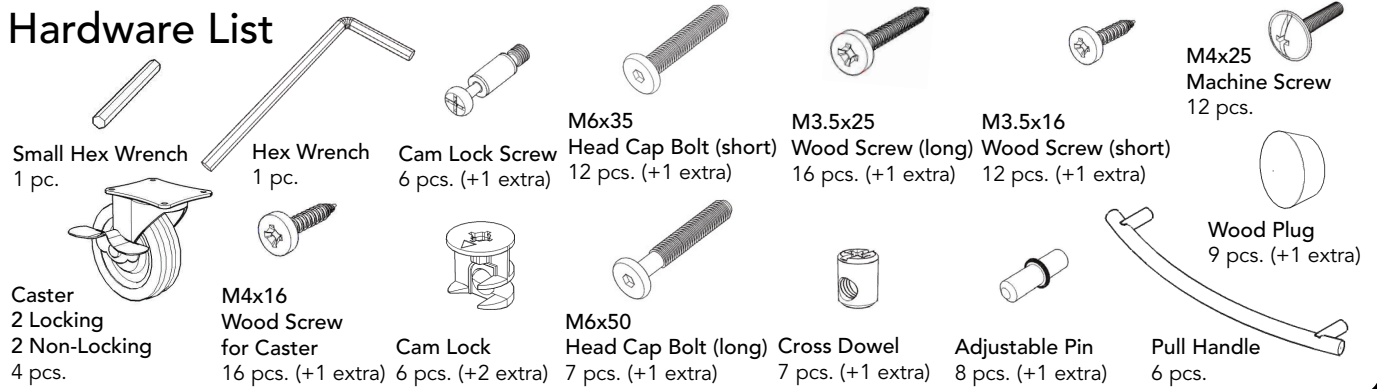
Carefully and strictly follow these assembly instructions to ensure a completed product as designed.

Do not use power tools above 8 volts to assemble.

**Part List**



**Hardware List**



Tool(s) required for assembly: Phillips screwdriver

## Assembly Instructions 2/6

### IMPORTANT

- Use a soft cloth between these parts and the floor.
- Do not use power tools above 8 volts to assemble.
- Do not tighten all the bolts until each part is properly assembled.
- Keep Hex Wrench in a safe place as the bolts may need to be tightened up in the future.

### STEP 1

Attach Casters underneath Base (L) with Wood Screws for Caster, with Locking Casters on the front. (See Figure 1)

Note: The 'Arrow' sticker indicates the front of Base (L).

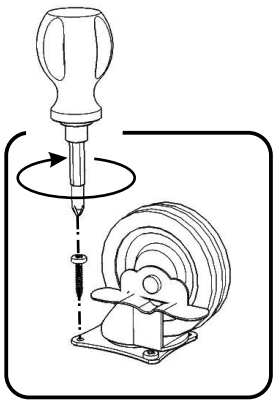
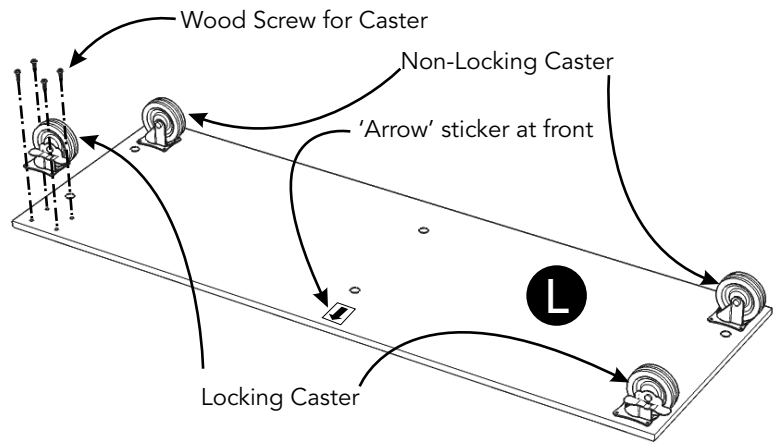


Figure 1

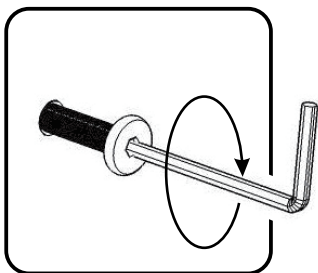
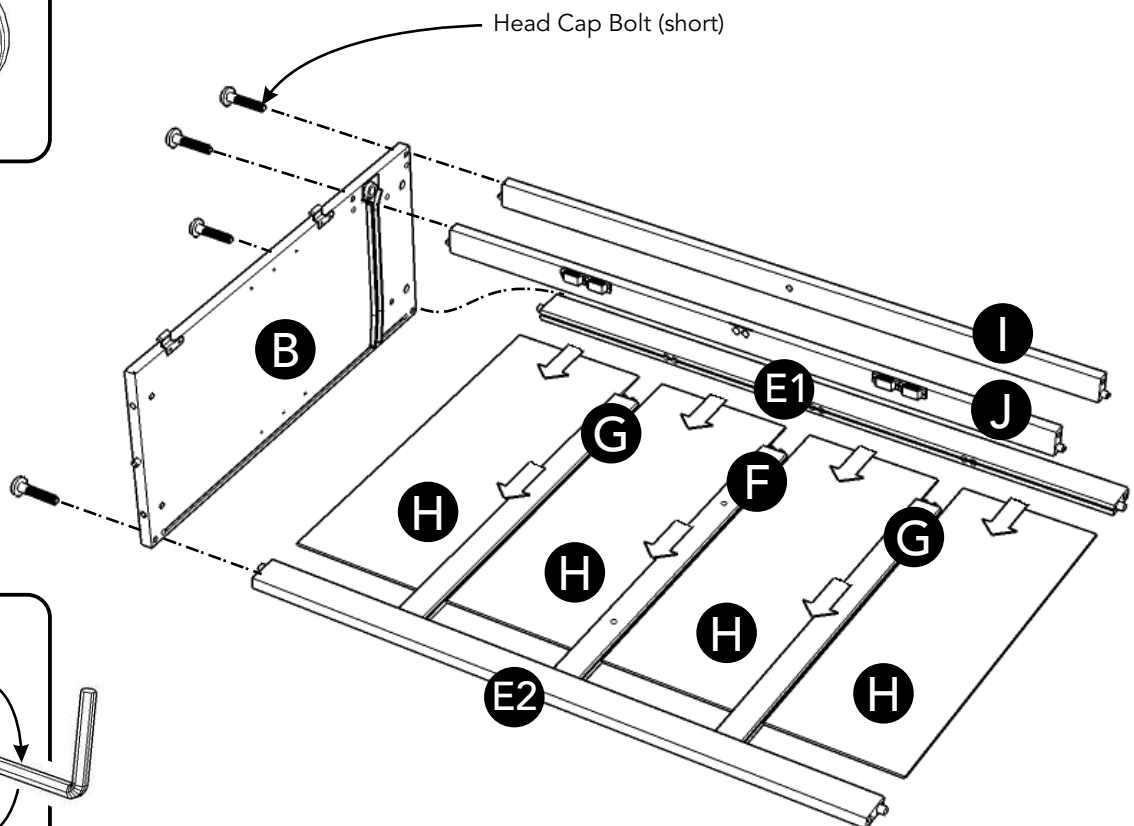


Figure 2

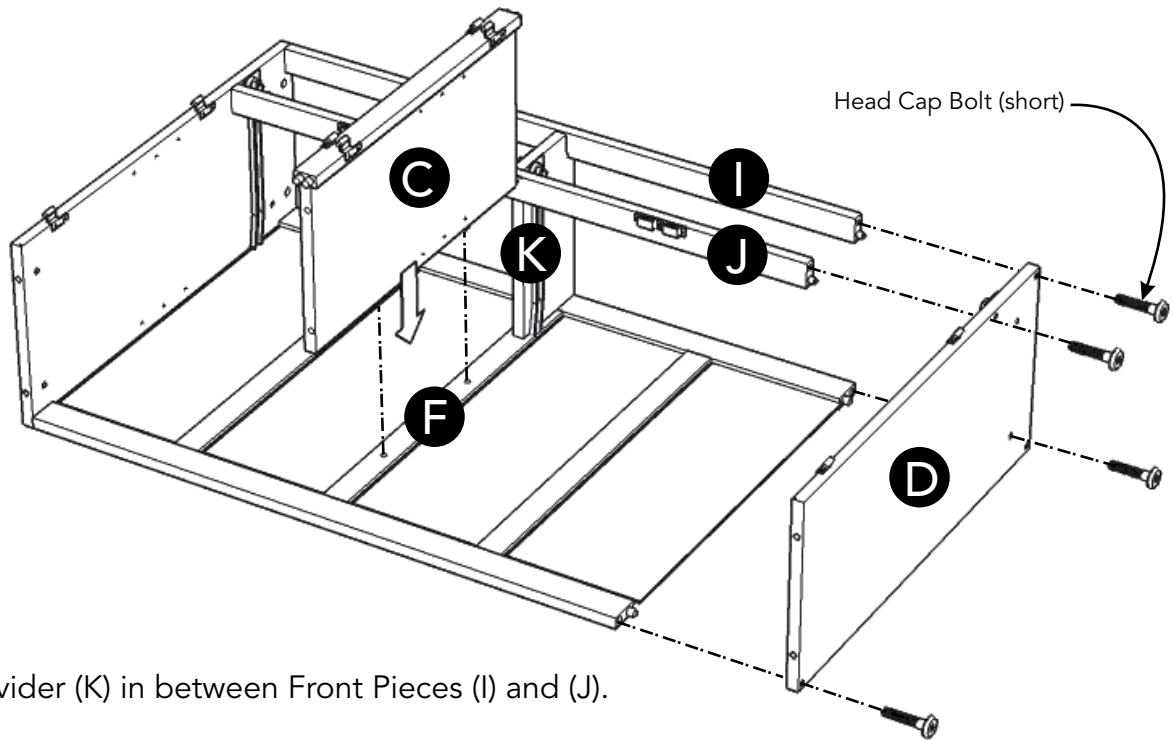
### STEP 2

Attach Back Stretcher (E2) to Side Panel (B) with Head Cap Bolt (short). (See Figure 2)

Attach Back Pieces (F) and (G) to Back Stretcher (E2), then slide Back Panels (H) into place.

Attach Back Stretcher (E1) and Front Pieces (I) and (J) to unit with Head Cap Bolts (short).

## Assembly Instructions 3/6

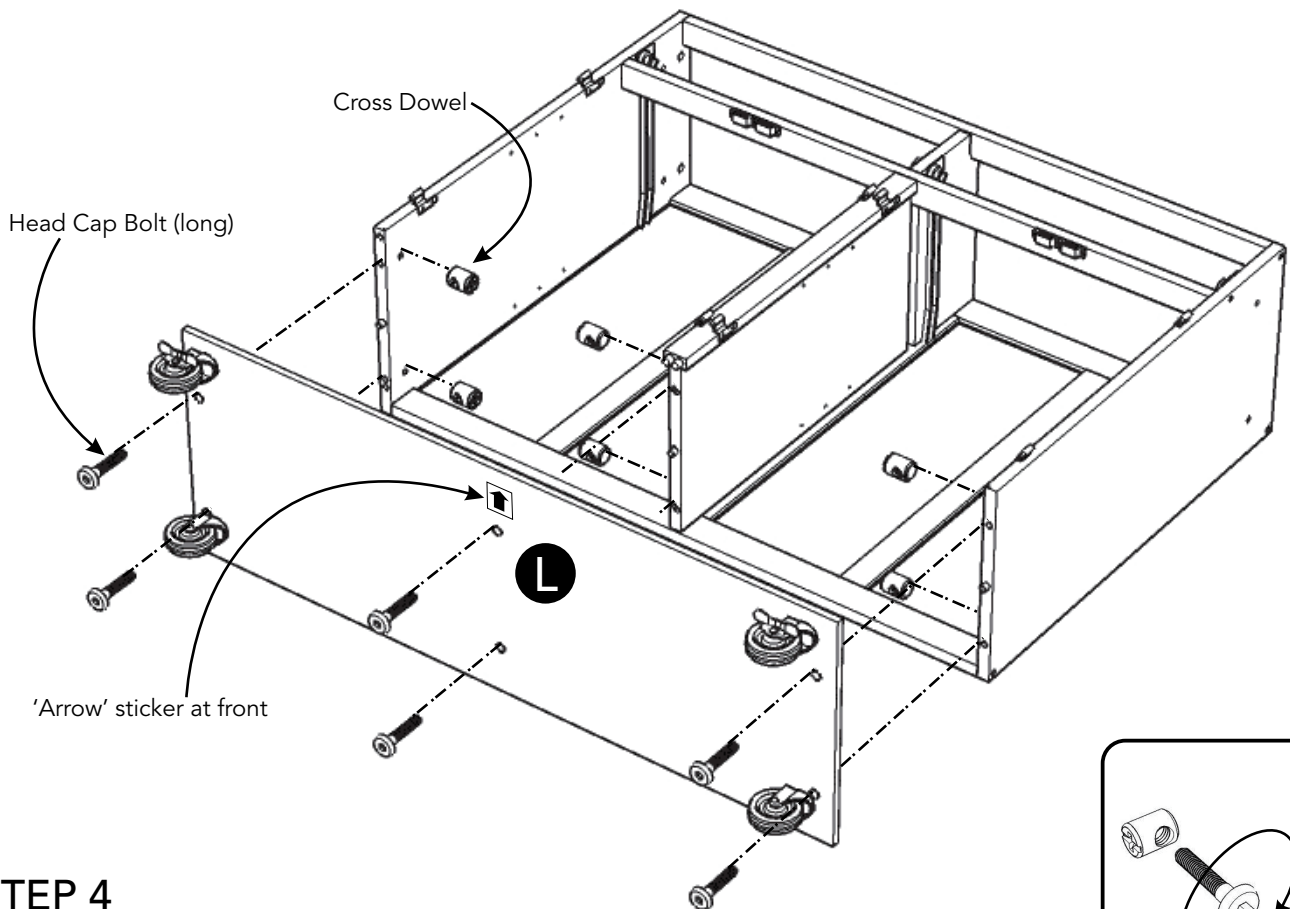


### STEP 3

Attach Divider (K) in between Front Pieces (I) and (J).

Attach Middle Panel (C) to Back Piece (F).

Attach Side Panel (D) to the with Head Cap Bolts (short).



### STEP 4

Attach Base (L) to unit with Head Cap Bolts (long) and Cross Dowels. (See Figure 3)

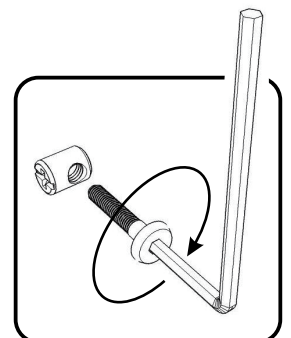
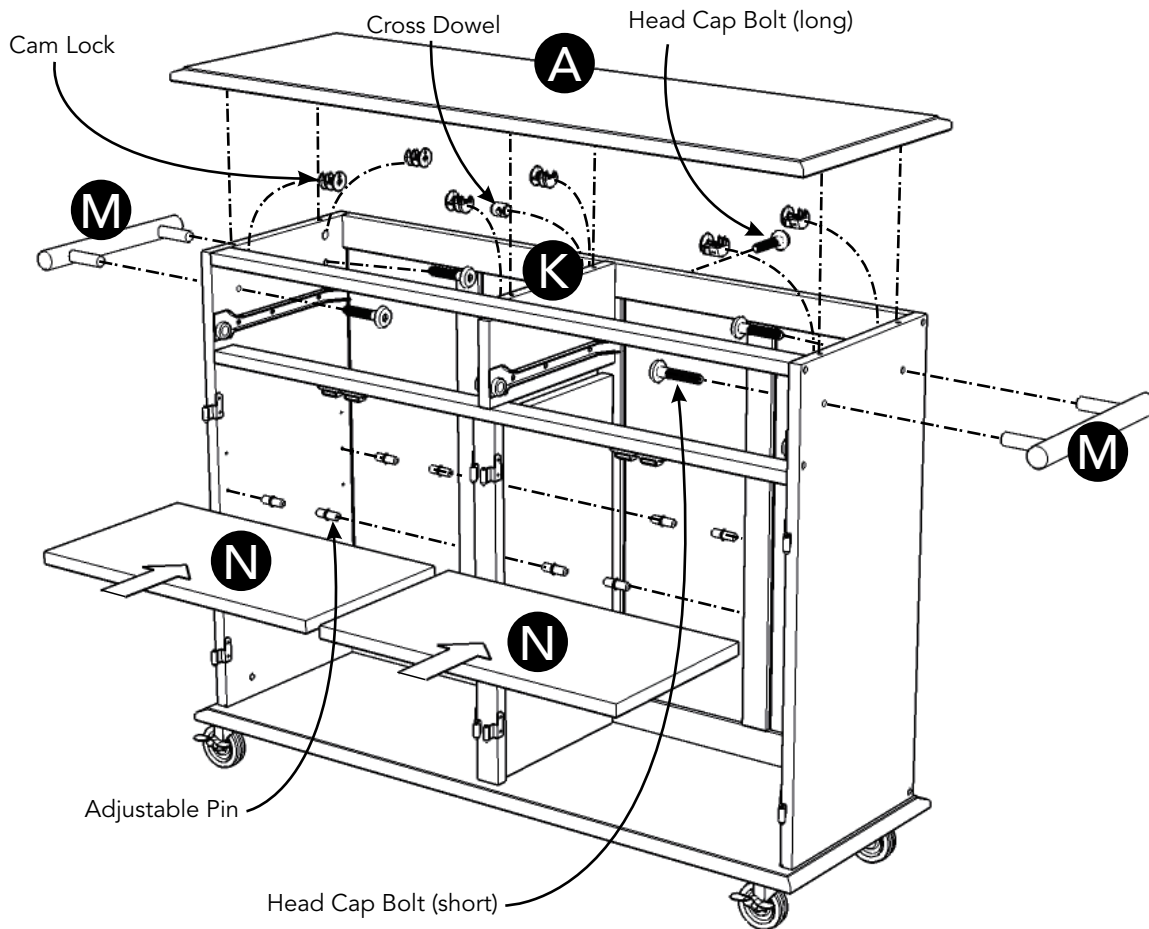
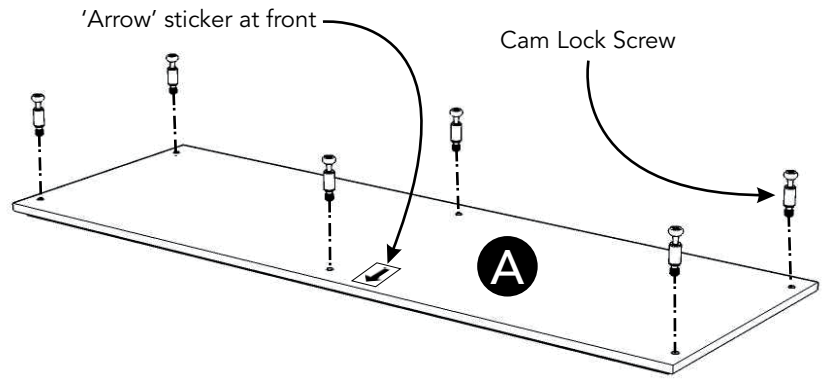


Figure 3

## Assembly Instructions 4/6

### STEP 5

Insert Cam Lock Screws into the pre-drilled holes of Top (A).



### STEP 6

Turn the unit to its' upright position.

Attach Side Bars (M) to unit with Head Cap Bolts (short).

Insert a Cross Dowel into the pre-drilled hole in Divider (K) and tighten Head Cap Bolt (long) from the back of unit.

Attach Top (A) to unit with Cam Locks.

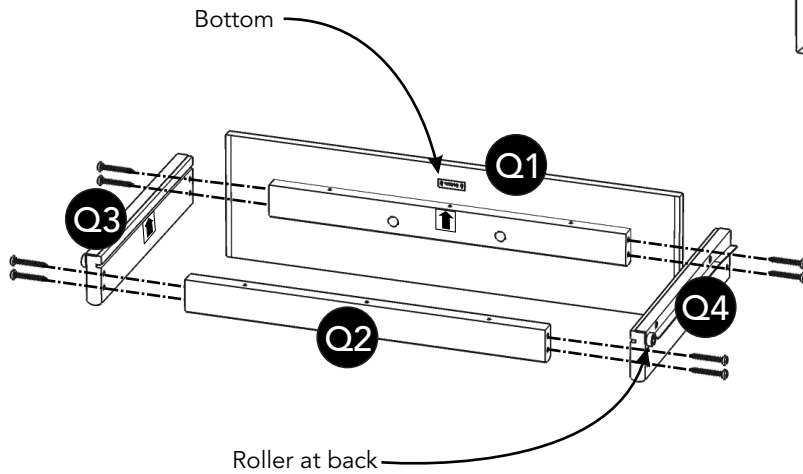
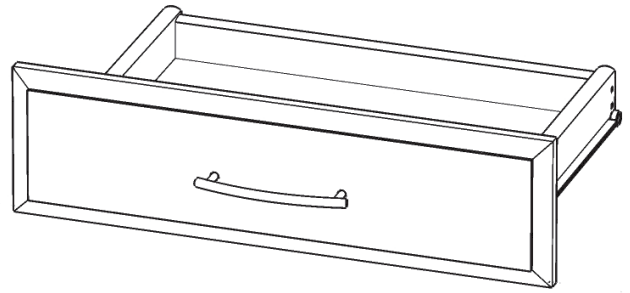
Note: The 'Arrow' sticker indicates the front of Top (A).

Insert Adjustable Pins into the side panels and middle panel at the desired level.

Place Shelves (N) into position.

# Assembly Instructions 5/6

## Drawer (Q)



### STEP 7

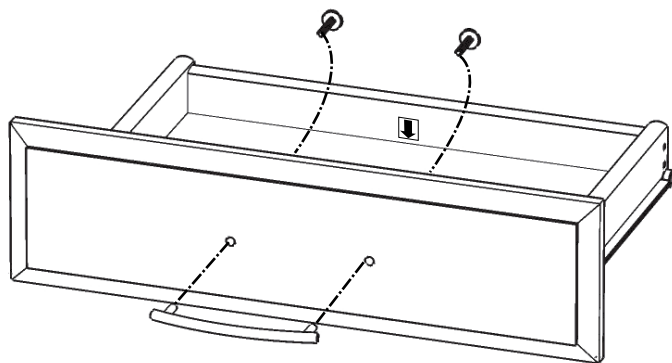
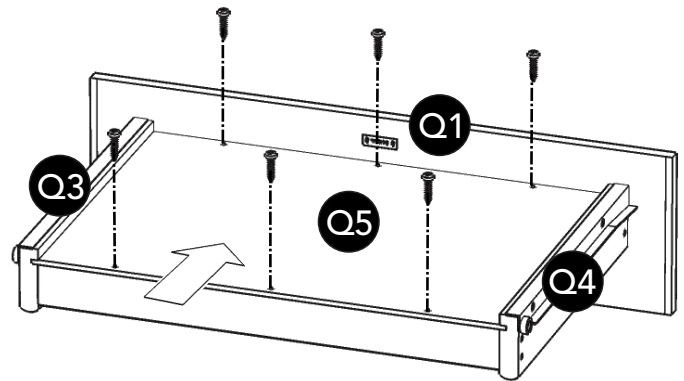
Attach Drawer Front (Q1) and Drawer Back (Q2) to Drawer Side (Q3) with Wood Screws (long).

Attach Drawer Side (Q4) to unit with Wood Screws (long).

### STEP 8

Slide Drawer Bottom (Q5) into the grooves of Drawer Sides (Q3) and (Q4) until it meets Drawer Front (Q1).

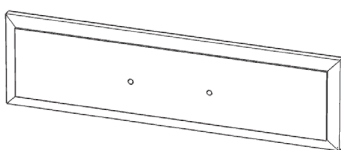
Attach Drawer Bottom (Q5) to unit with Wood Screws (short).



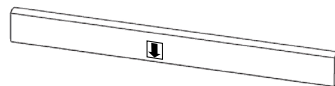
### STEP 9

Attach Pull Handle with Machine Screws.

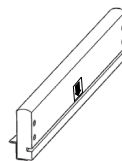
## Part List



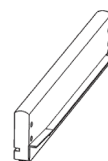
Q1.  
Drawer Front  
2 pcs.



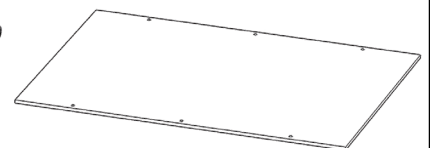
Q2.  
Drawer Back  
2 pcs.



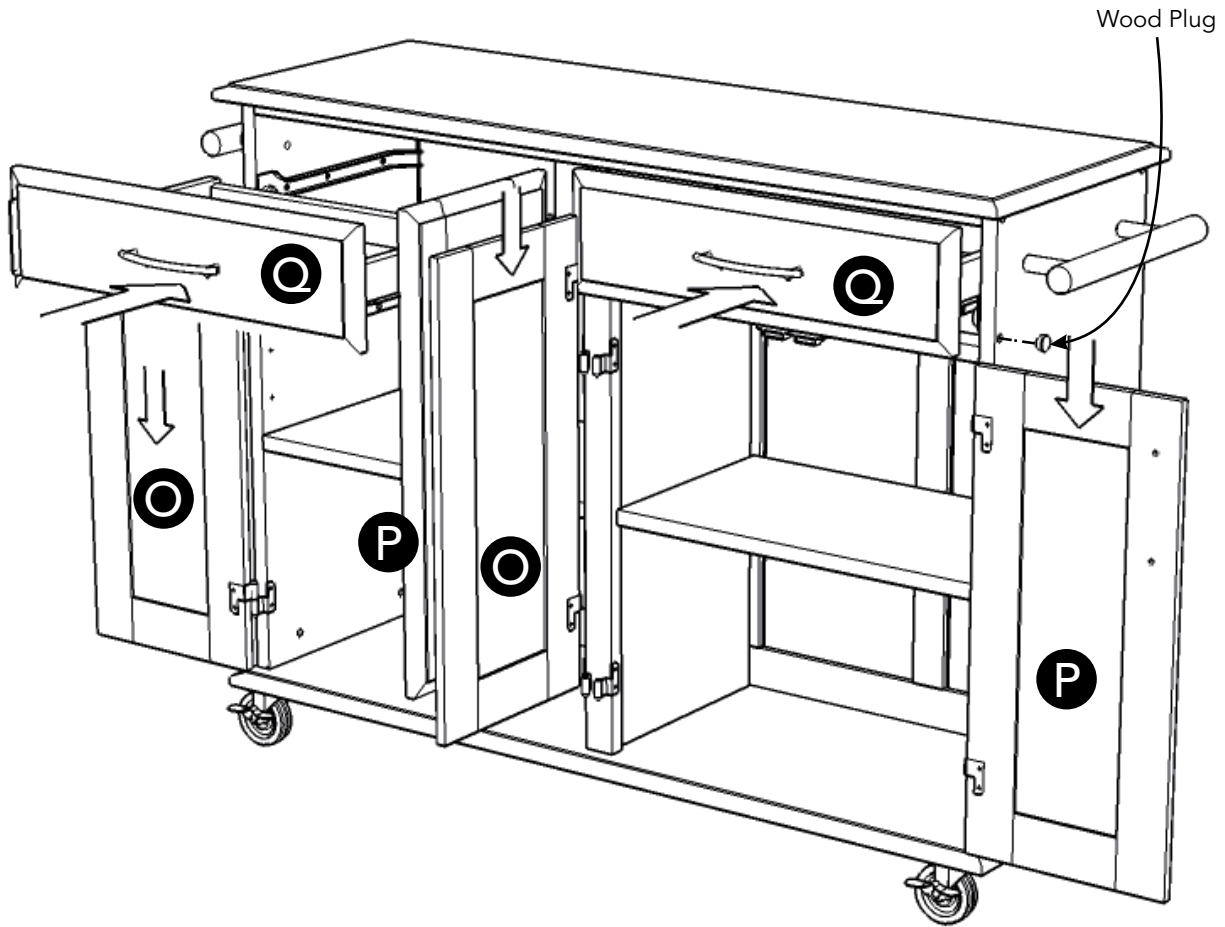
Q3.  
Drawer Side  
2 pcs.



Q4.  
Drawer Side  
2 pcs.



Q5.  
Drawer Bottom  
2 pcs.



## STEP 10

Attach Pull Handles to Doors (O) and (P) with Machine Screws.  
(See Figure 4)

Attach Doors (O) and (P) to the side panels and middle panel  
by sliding the door lift hinges into the side panel and middle  
panel lift hinges. (See Figure 5)

Slide Drawers (Q) into place.

Cover all holes with Wood Plugs.  
(See Figure 6)

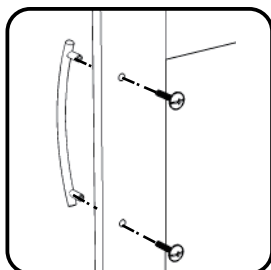


Figure 4

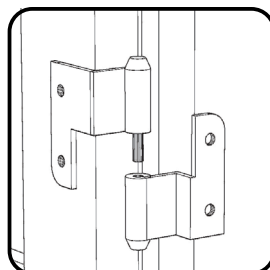


Figure 5

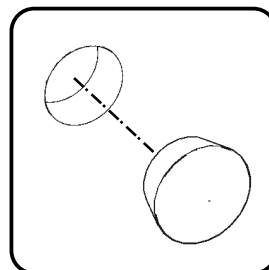


Figure 6

# CARE INSTRUCTIONS

## NEVER

allow liquids to remain on furniture.  
Absorption causes parts to warp  
and split and finishes to delaminate.

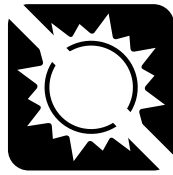
## NEVER

use glass cleaners on  
finished furniture. Ammonia  
chemically attacks the finish.



Do not use power tools  
above 8 volts to assemble.

**PREVENT  
CRACKING**



Do not place  
in direct sunlight.

**PREVENT  
FADING**



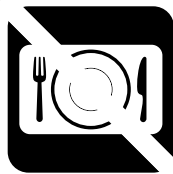
Do not write  
directly on surface.

**PREVENT  
MARKING**



Do not place hot  
objects on surface.

**PREVENT  
FINISH DAMAGE**



Do not use rubber  
based placemats.

**PREVENT  
DISCOLORING**



Do not use commercial  
waxes and polishes.

**PREVENT  
YELLOWING**

## CLEAN

with a soft cloth moistened  
in lukewarm soap and water.  
Buff with a dry clean cloth.



Home Styles will provide replacements free of charge for missing or damaged hardware or parts within 30 days of purchase. Digital images of the defective parts may be required. If the product was not purchased from an authorized retail affiliate, Home Styles is under no obligation to provide replacement parts. Parts are not available for fully assembled items nor are parts available for sale. Replacements for missing or damaged hardware or parts may be requested at:

[www.homestyles-furniture.com/customer-service/replacement-parts](http://www.homestyles-furniture.com/customer-service/replacement-parts)

Home Styles Customer Service: [www.homestyles-furniture.com](http://www.homestyles-furniture.com),  
[servicedesk@homestyles-furniture.com](mailto:servicedesk@homestyles-furniture.com), 888-680-7460, 877-831-0319