

PureLine
30" Warming Drawer

ESW 6880



PureLine 30" Warming Drawer

ESW 6880



ESW 6880

Features:

- Touch controls
- Fan-assisted heating system
- Time control, 4-hour timer
- Temperature settings from 104°F to 85°F
- Keeps food or plates and cups warm
- Non-slip liner
- Cool touch front
- Soft Open
- Auto Close
- Warm dishware for up to 12 people
- Sabbath Program
- Movable half rack insert allows food and dishware to be stored and warmed on two levels
- The simple yet sleek Silhouette handle seems to float enhancing its modern design lines



SPECIFICATIONS

ESW 6880 - Item 30688052USA

Overall Unit Width - Excluding Fascia Dimension	25 ¹⁵ / ₁₆ " (659 mm)
Overall Height - Excluding Fascia Dimension	10 ⁹ / ₁₆ " (268 mm)
Overall Depth - Excluding Fascia Dimension	23 ⁷ / ₈ " (606 mm)
Overall Fascia Dimensions	29 ¹³ / ₁₆ " (757 mm) W x 10 ¹³ / ₁₆ " (275 mm) H x 1" (26 mm) D

Built-In

Minimum Cabinet Width	26 ⁵ / ₁₆ " (668 mm)
Maximum Cabinet Width	28 ¹ / ₂ " (724 mm)
Minimum Cabinet Depth	24" (610 mm)
Minimum Cabinet Height	10 ⁵ / ₈ " (270 mm)
Minimum Base Support	120 lbs
Minimum Shelf Spacing Between Stacked Product	³ / ₄ " (19 mm)

Electrical

Electrical Requirements	120V, 15A, 60Hz
Power Cord	Molded NEMA 5-15 plug, 5 ft (1.5 m)
Electrical Rating	1kW (120V)
Total Amps	6A on 120V

Shipping

Shipping Weight	70 lbs
Shipping Dimensions	32 ⁷ / ₈ " W x 14 ³ / ₈ " H x 29 ⁷ / ₈ " L

Support

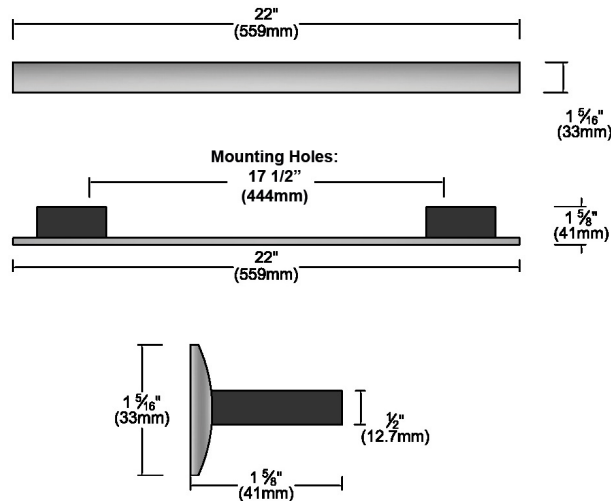
Call Miele	800.843.7231
Miele Website	www.mieleusa.com
20/20 Link	2020technologies.com

PureLine 30" Warming Drawer ESW 6880



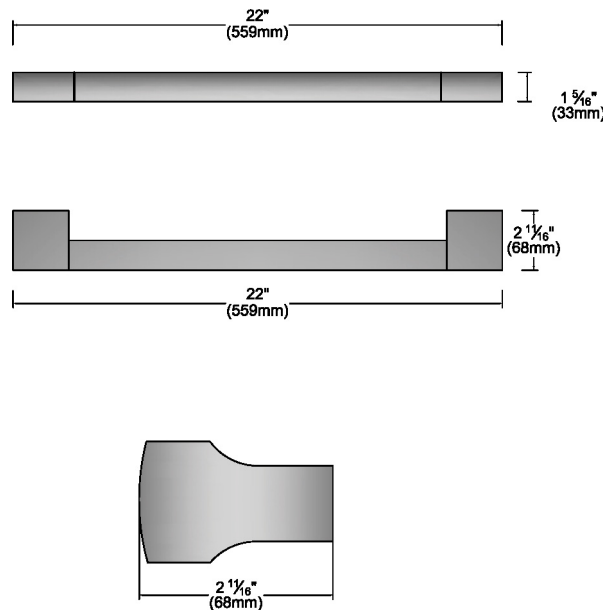
HANDLE DETAILS

All Miele Signature And PureLine
Handle Dimensions



Please note hinges may require adjusting or replacing when changing from a ContourLine Handle to a Pureline or Miele Signature handle.

All ContourLine Handle
Dimensions



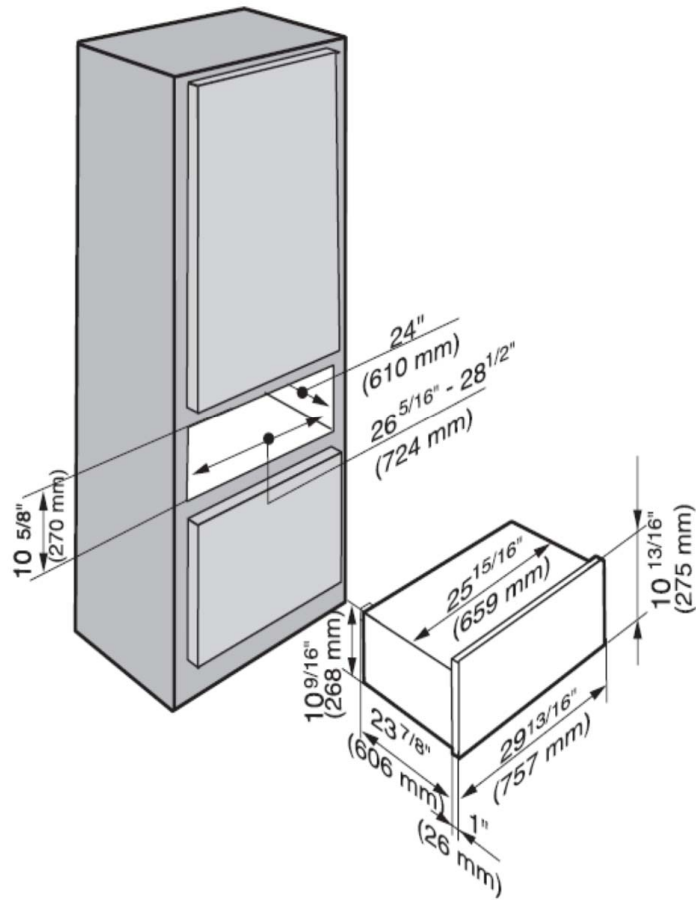
Please note hinges may require adjusting or replacing when changing from a Pureline or Miele Signature handle to a ContourLine Handle.

PureLine 30" Warming Drawer ESW 6880

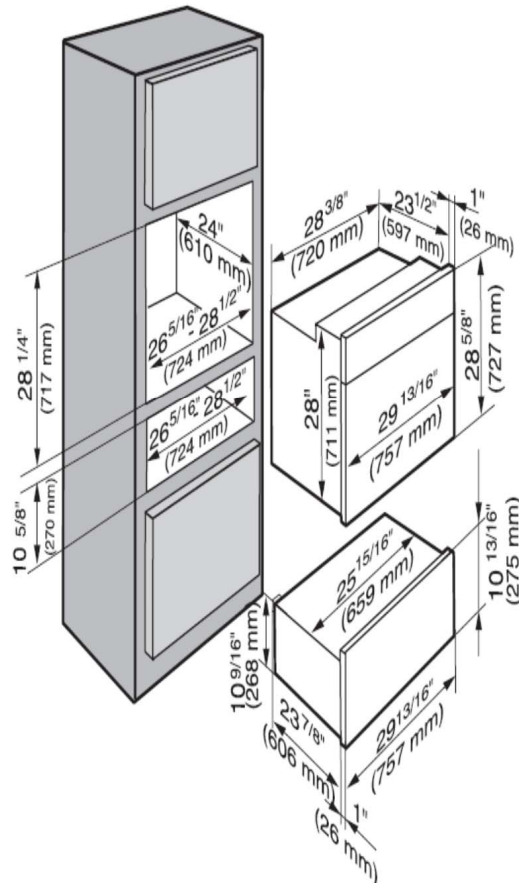


INSTALLATION SPECIFICATIONS

Solo Install

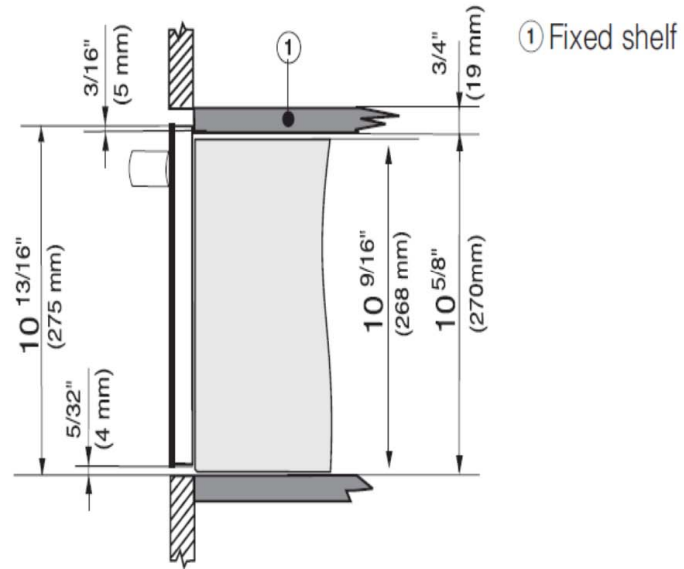


Install with 30" Oven



INSTALLATION SPECIFICATIONS

Side View



Side View with Oven

