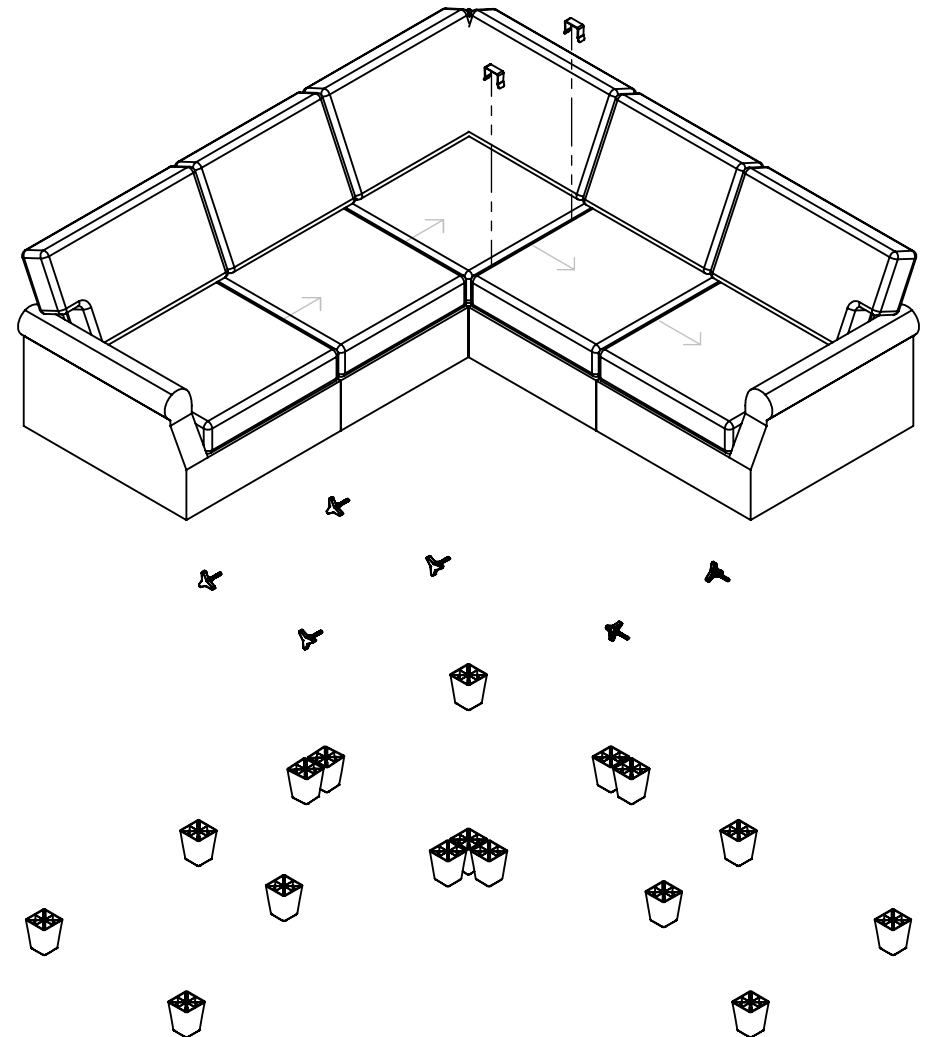
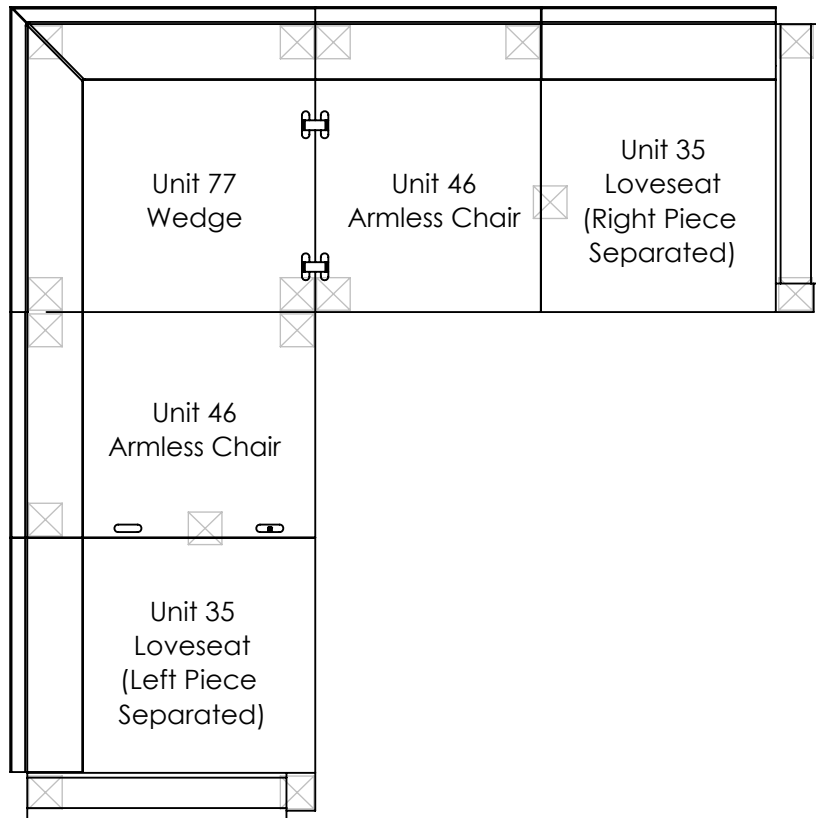


824 Assembly Instruction Sheet

(Sectional 3)



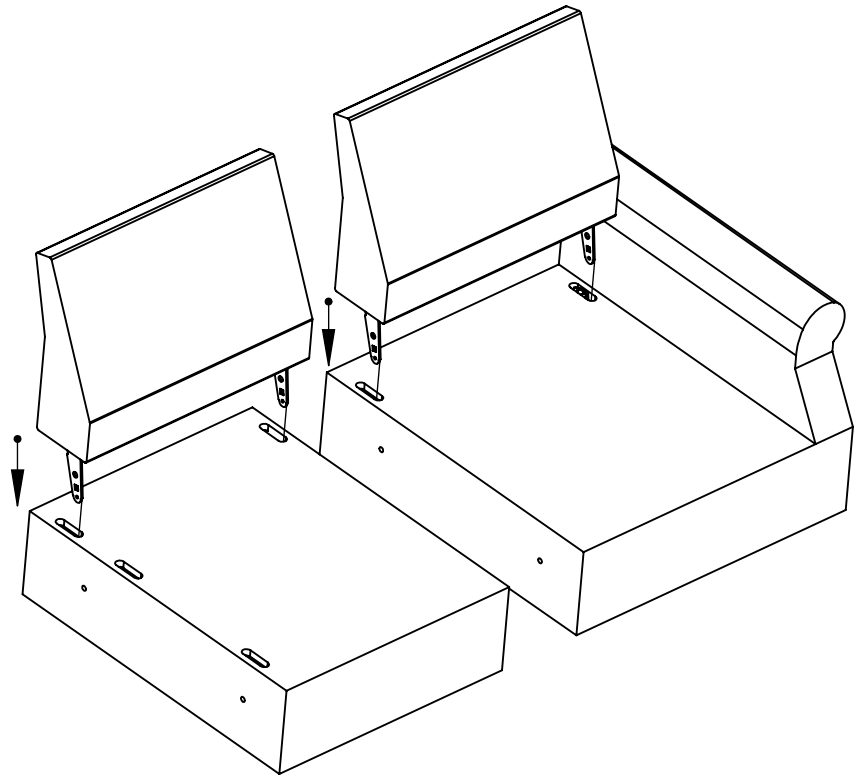
Size	Qty (unit)	Leg/unit	Total leg
35	1	5	5
46	2	2	4
77	1	7	7
Total			16

Remove bottom coverings and take out pillows, back cushions, couch backs, legs, U-brackets and hand bolts.

Step 1

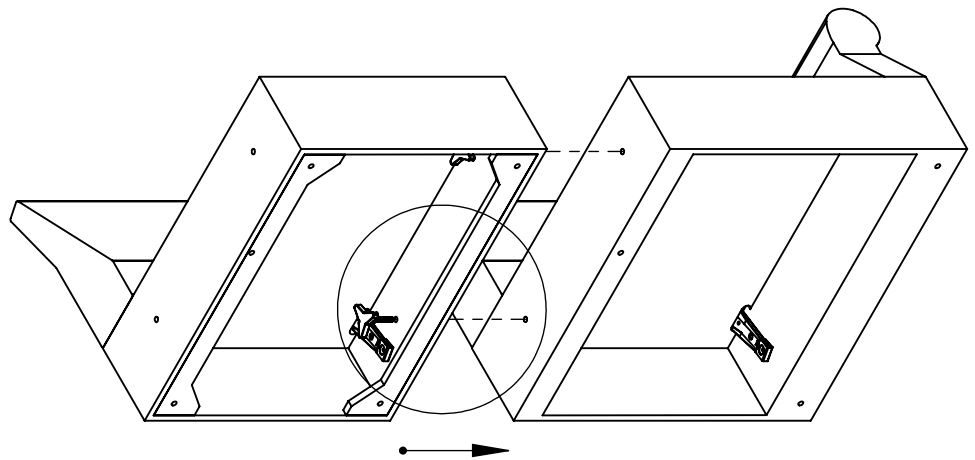
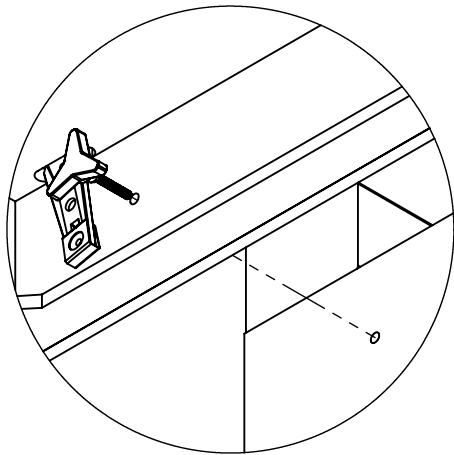
Place backs on the sofa ends using the KD brackets.

Be sure to match back to seat.



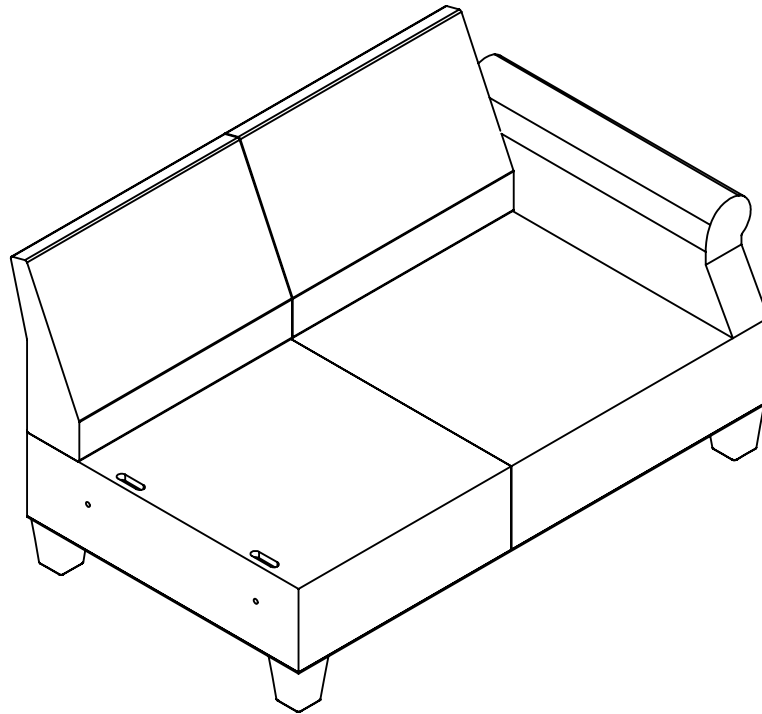
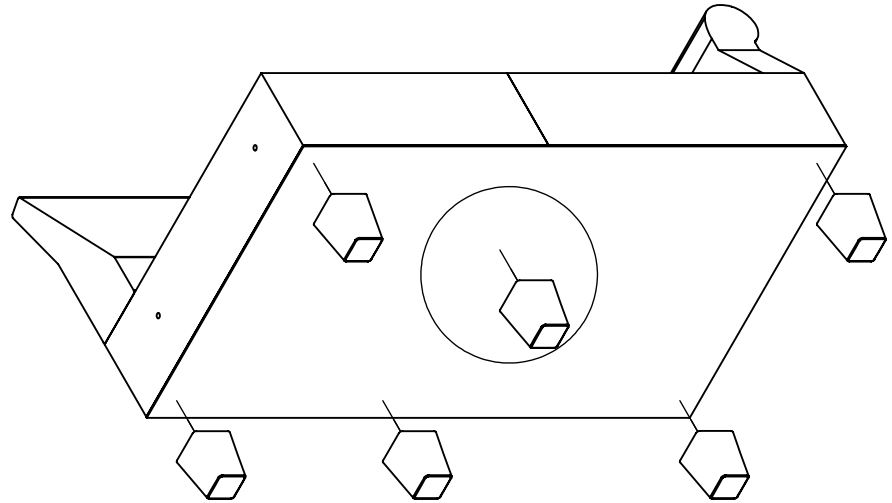
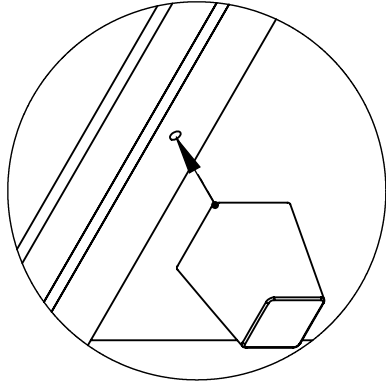
Step 2

Use 2 hand bolts to connect the Armless Chair with RAF Loveseat/Sofa.



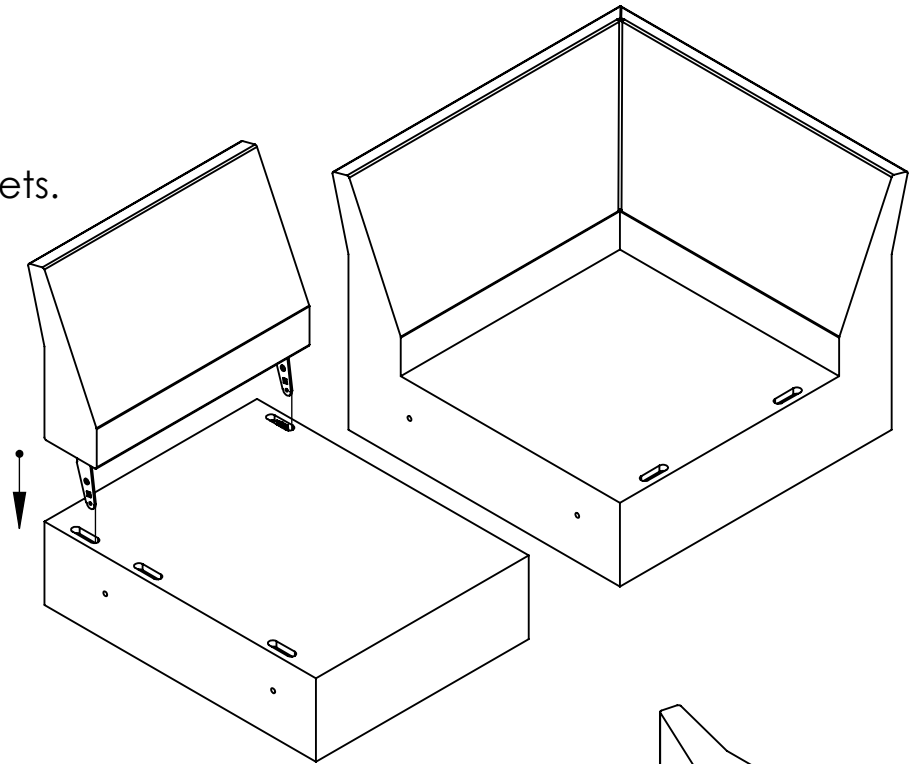
Step 3

Replace the back and bottom coverings and
apply 6 legs to the bottom.
Flip unit upright.



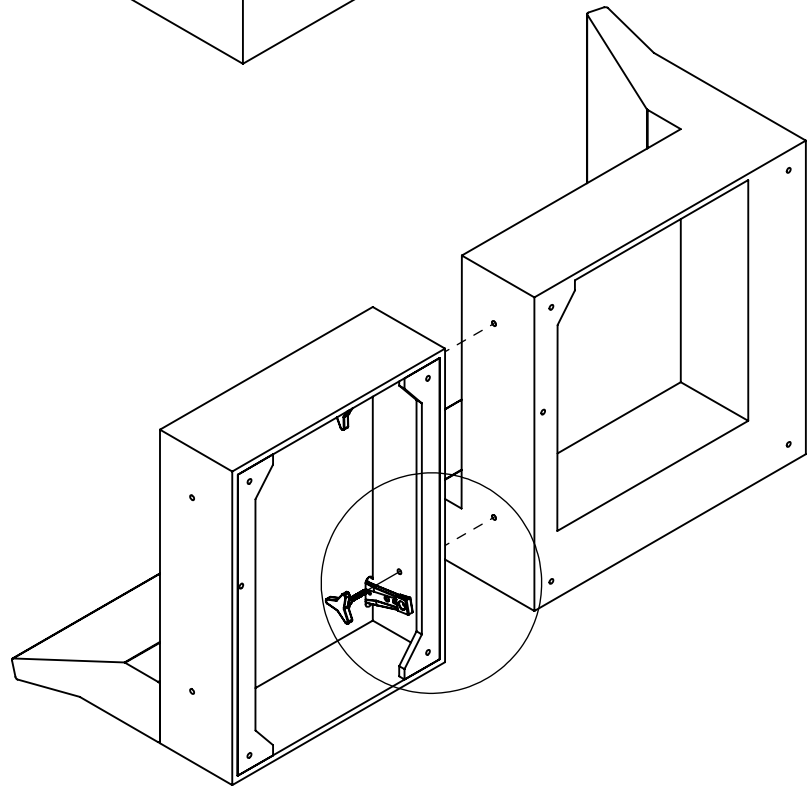
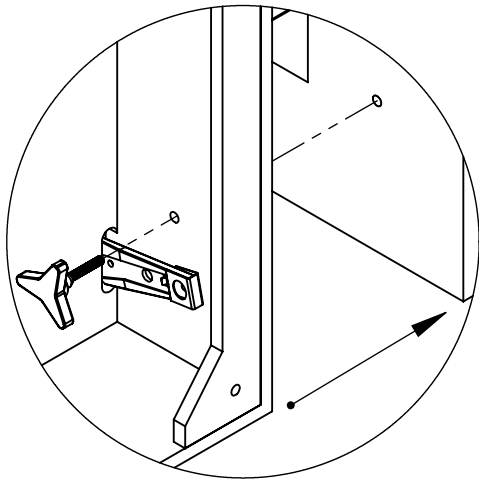
Step 4

Continue for the assembly unit on the left.
Place backs on the sofa ends using the KD brackets.
Be sure to match back to seat.



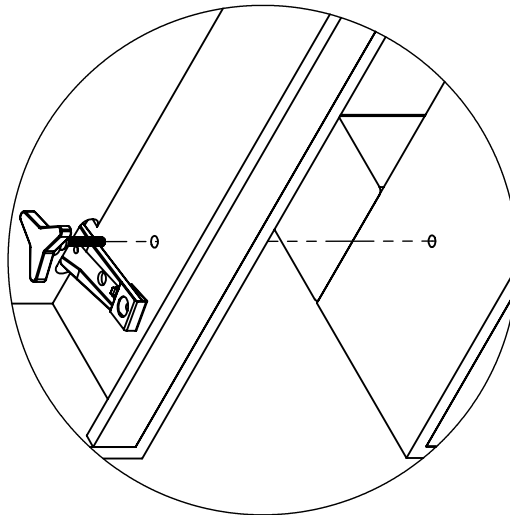
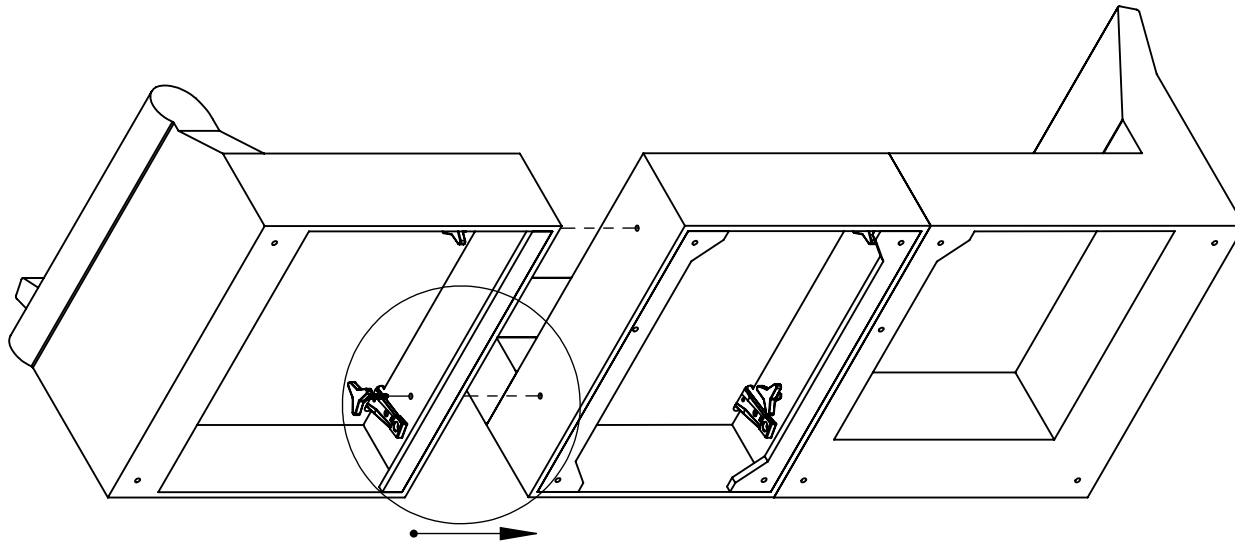
Step 5

Use 2 hand bolts to connect the Armless Chair
with Wedge.



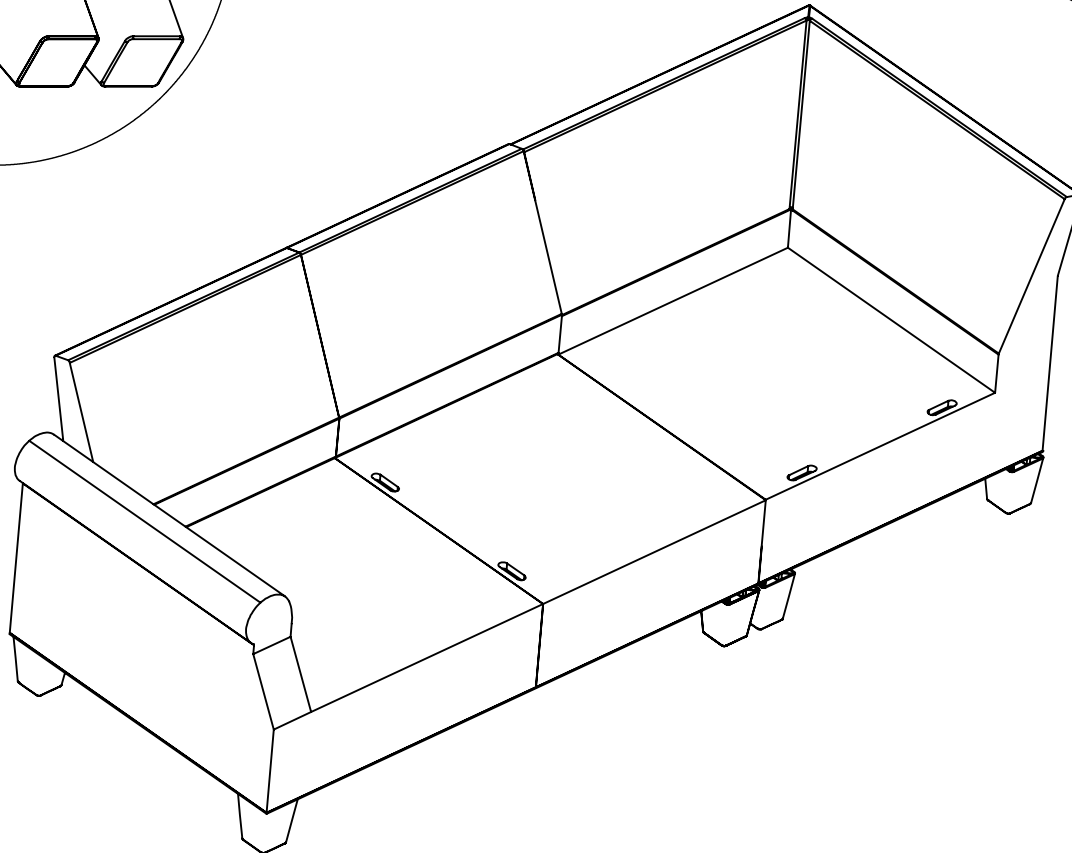
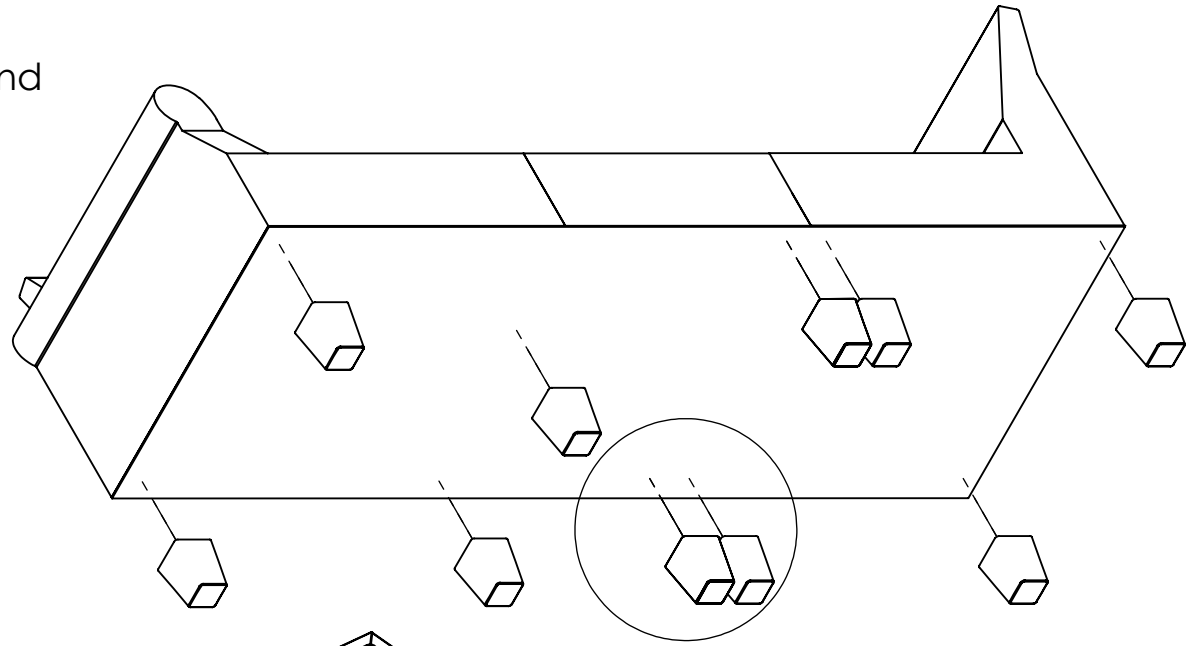
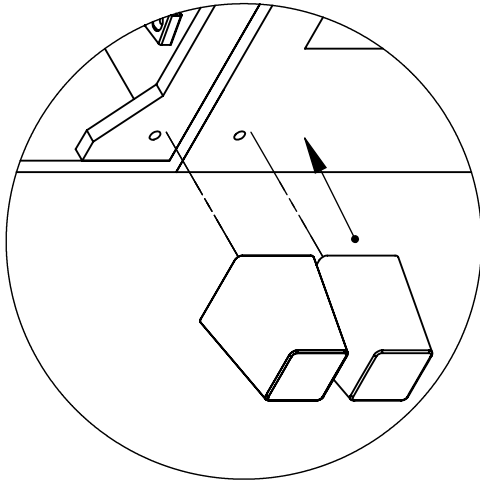
Step 6

Use 2 hand bolts to connect the LAF Loveseat/Sofa with Armless Chair.



Step 7

Replace the back and bottom coverings and
apply 10 legs to the bottom.
Flip unit upright.



Step 8

Use the U-Brackets to connect the left and right units together.
Place seat and back cushions.

