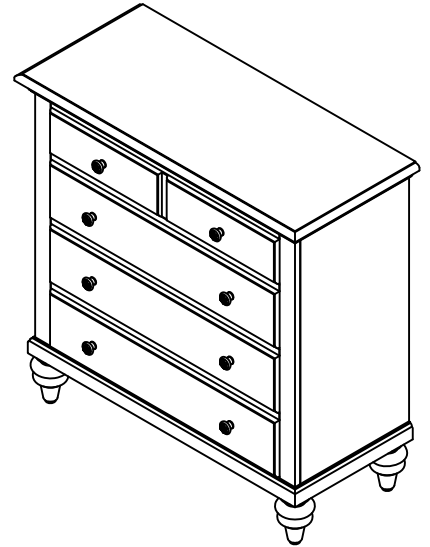


88 5543 41 Bermuda Chest



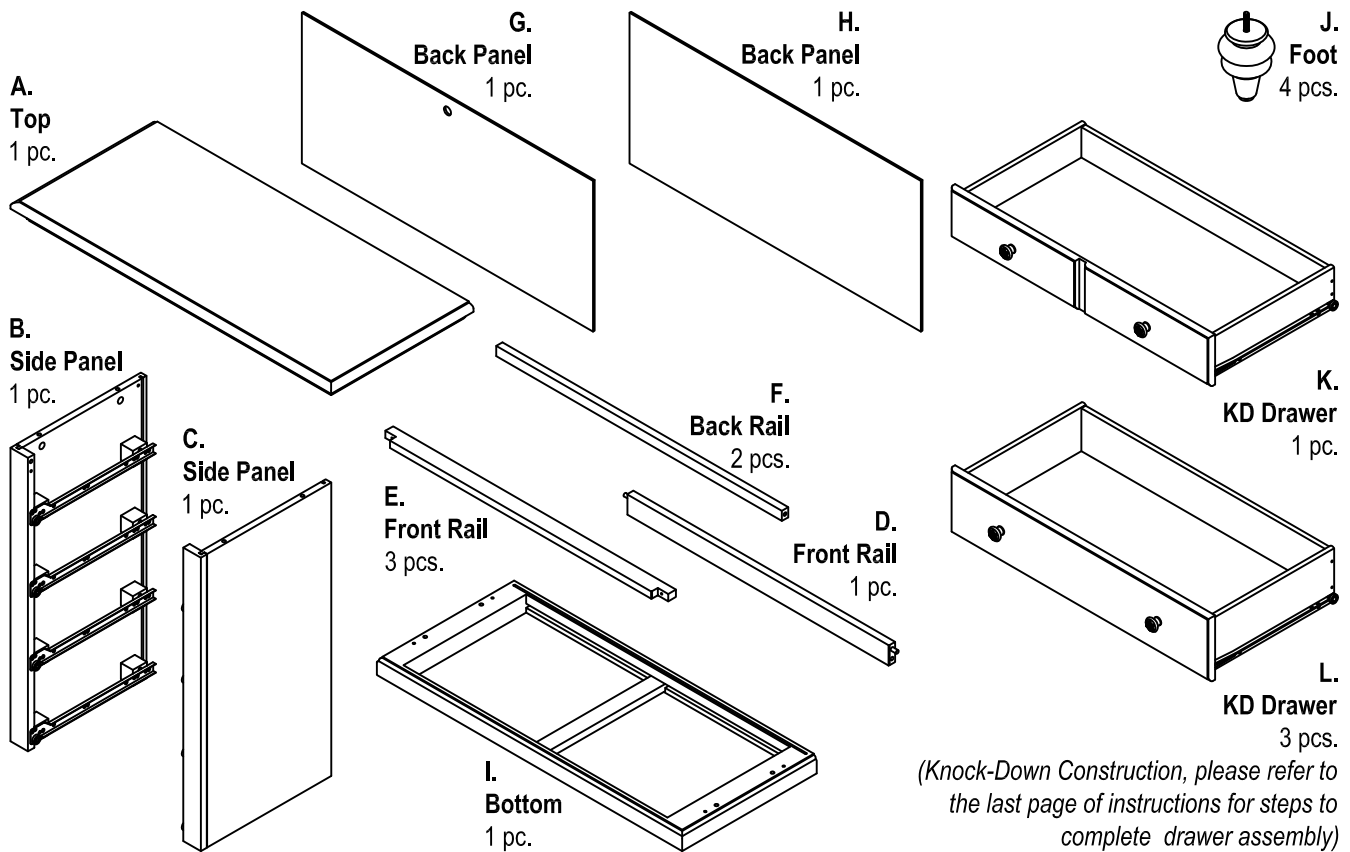
Home
Styles

IMPORTANT NOTE

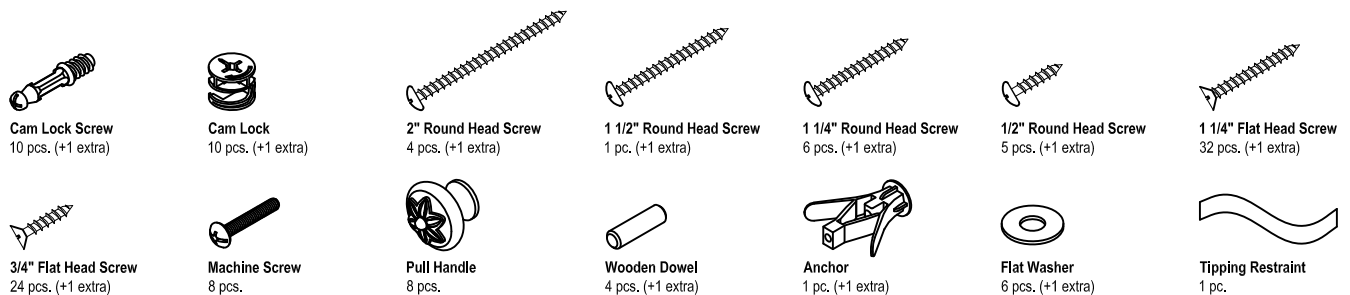
Carefully remove all the parts from the carton and put them individually on a soft cloth to prevent scratches or other damages occurring to the parts.

We have taken great care in the design of this product and request that you carefully and strictly follow our assembly instructions to ensure a completed product as it was designed.

Part List



Hardware List



Tools Required For Assembly : Phillips screwdriver

Home Styles Consumer Assistance Line 888-680-7460 and 877-831-0319
servicedesk@homestyles-furniture.com

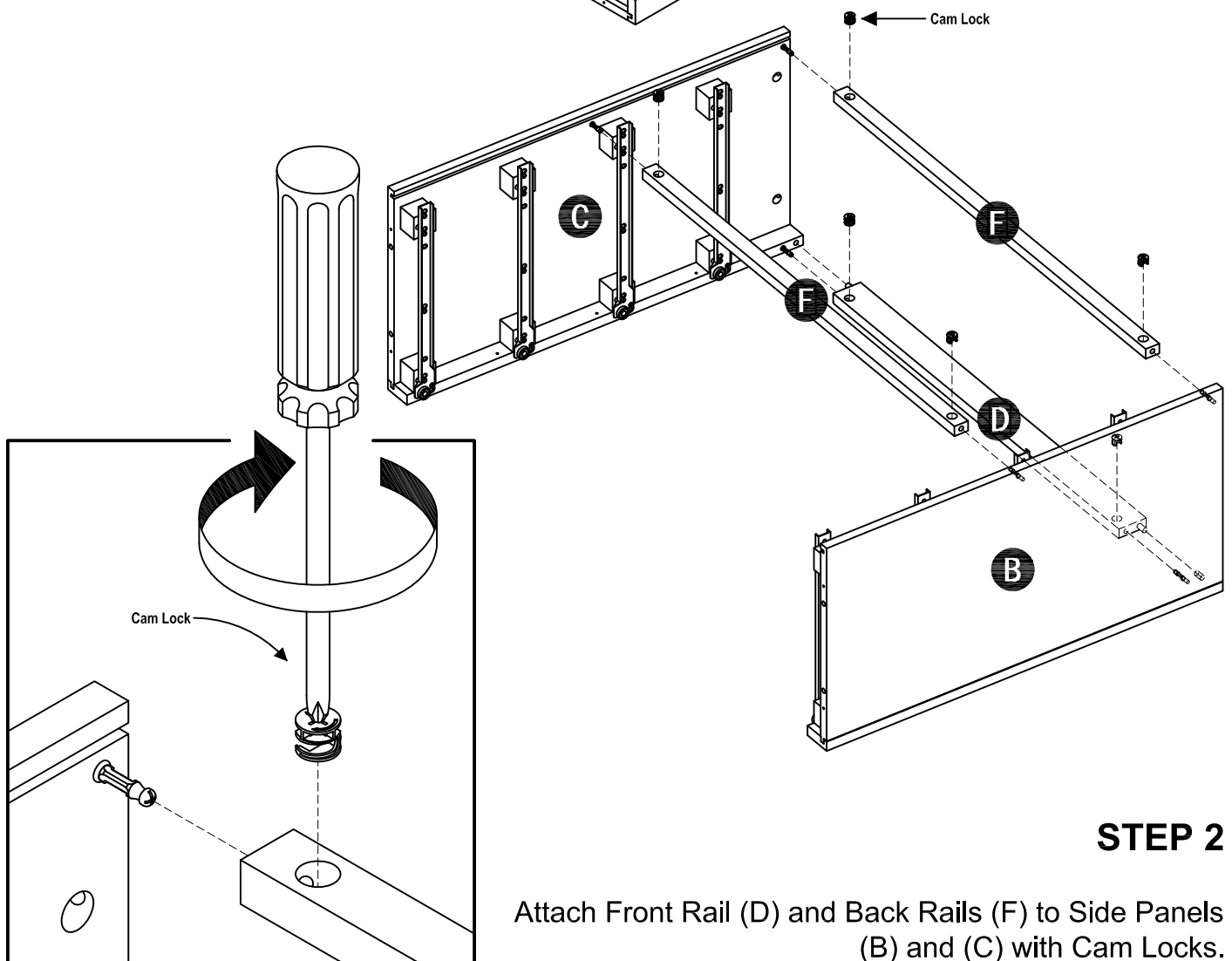
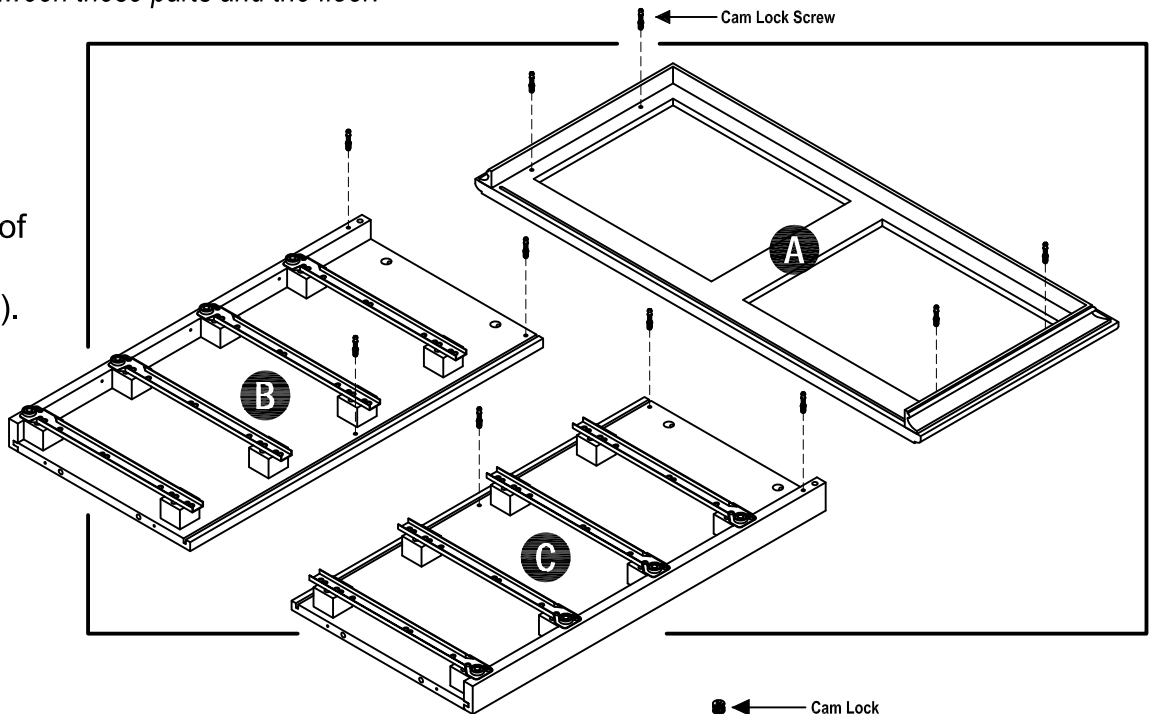
Assembly Instructions 2/8

IMPORTANT

* Use a soft cloth between these parts and the floor.

STEP 1

Insert Cam Lock Screws into the pre-drilled holes of Top (A), Side Panel (B) and (C).



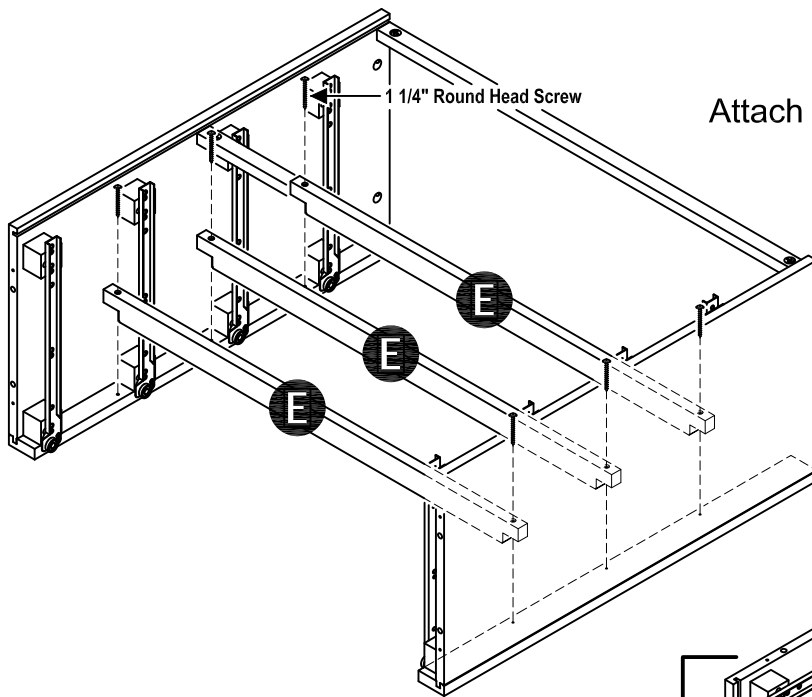
STEP 2

Attach Front Rail (D) and Back Rails (F) to Side Panels (B) and (C) with Cam Locks. (see Figure 1).

Figure 1

Assembly Instructions 3/8

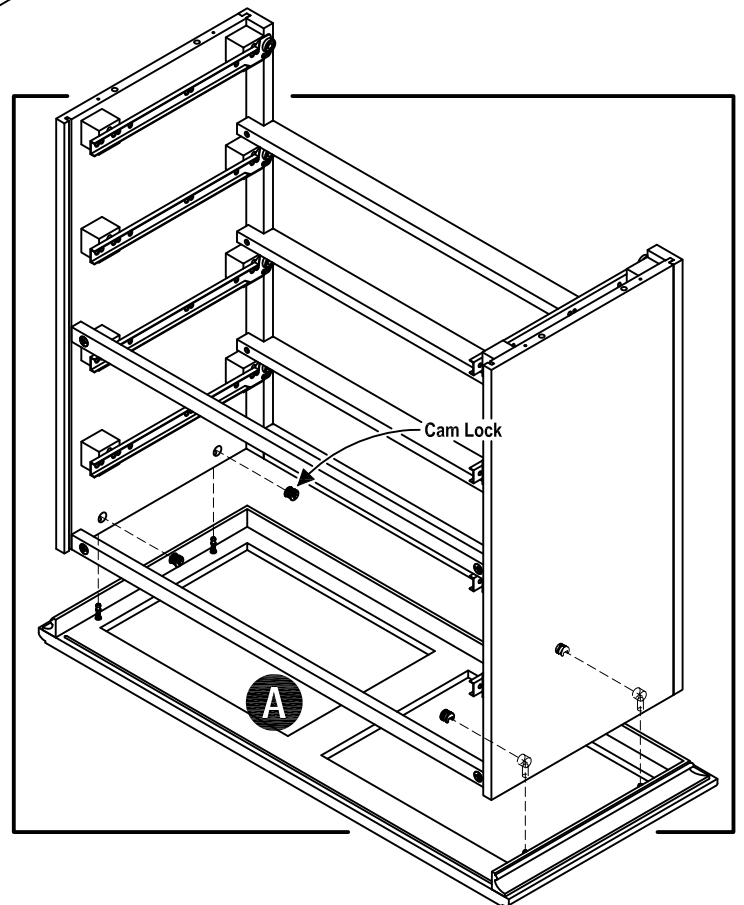
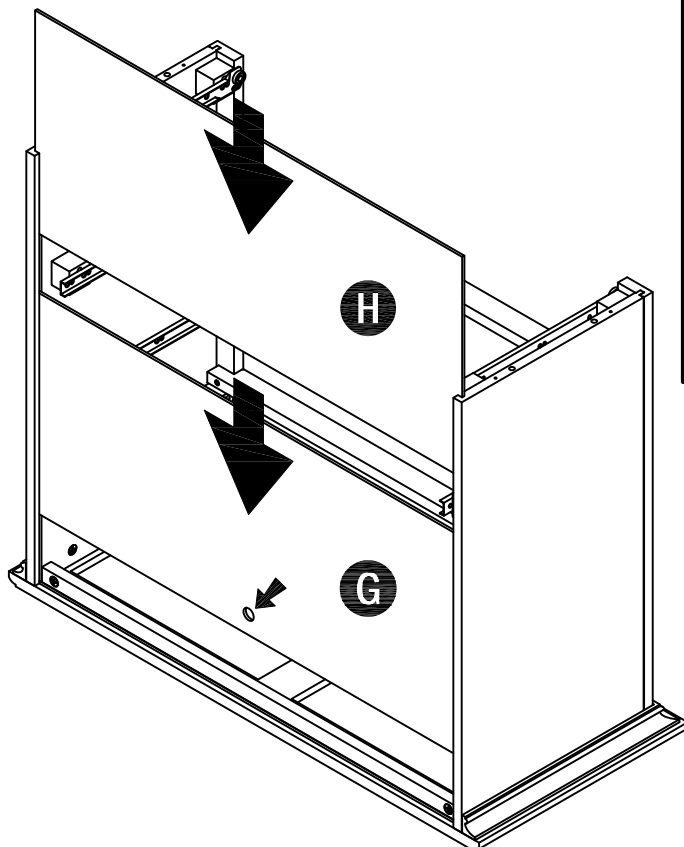
STEP 3



Attach Front Rail (E) to unit using 1 1/4" Round Head Screw.

STEP 4

Attach Top (A) to unit using Cam Locks.



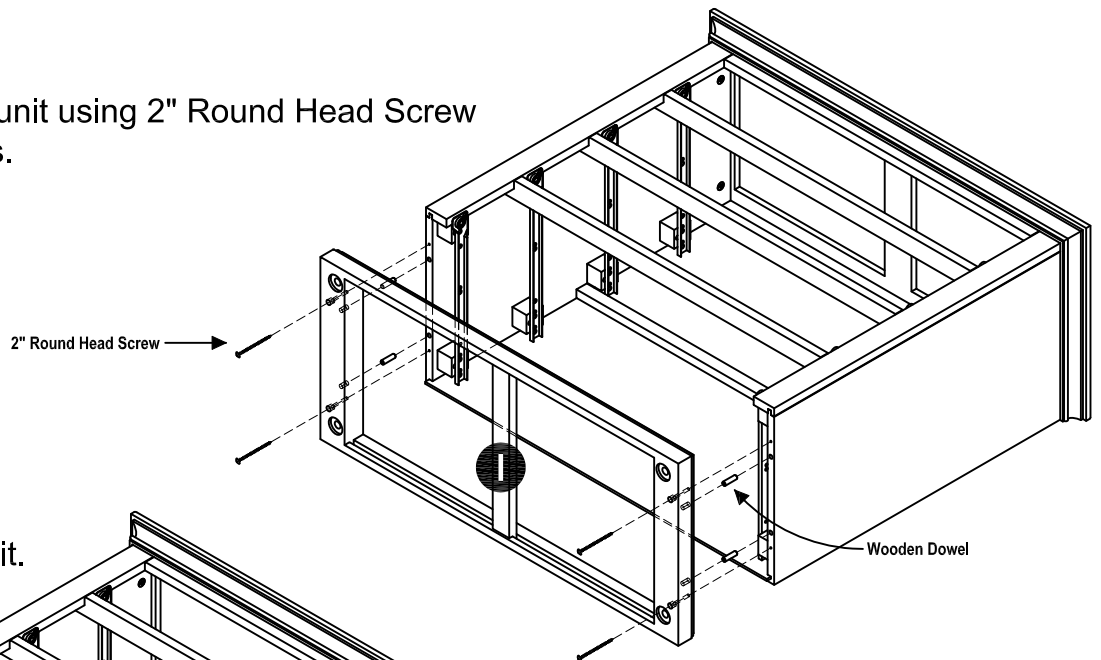
STEP 5

Slide Back Panels (G) and (H) to unit .

Assembly Instructions 4/8

STEP 6

Attach Bottom (I) to unit using 2" Round Head Screw and Wooden Dowels.



STEP 7

Attach Feet (J) to unit.

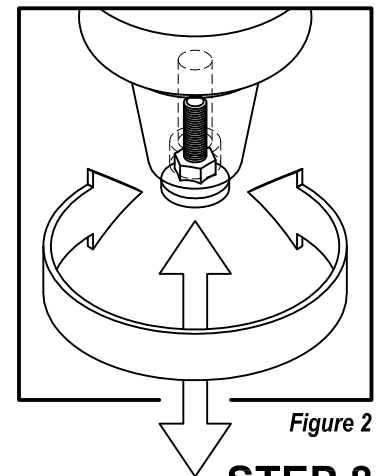
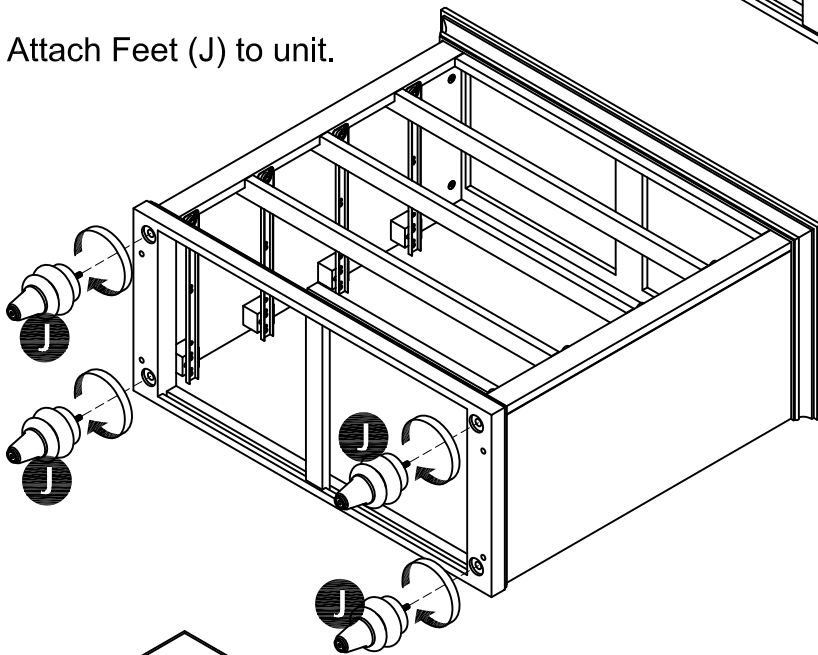
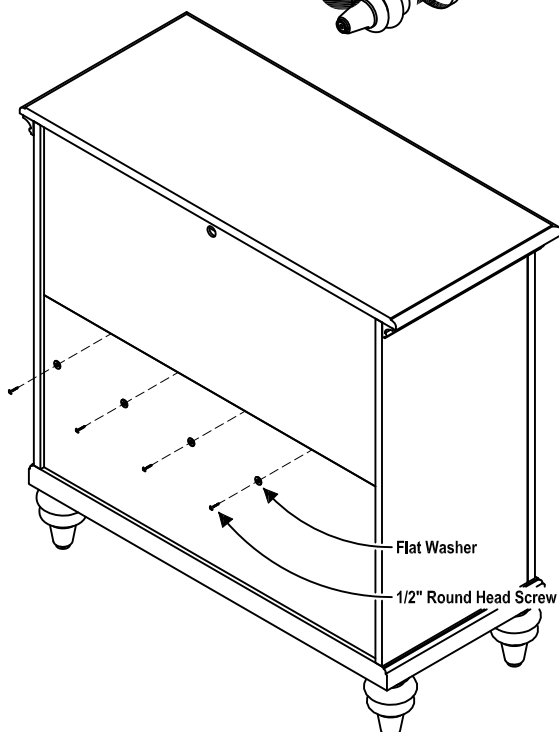


Figure 2

STEP 8

To level the unit, adjust the adjustable levelers on the bottom of the feet. (see Figure 2)



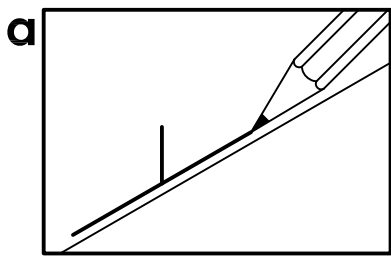
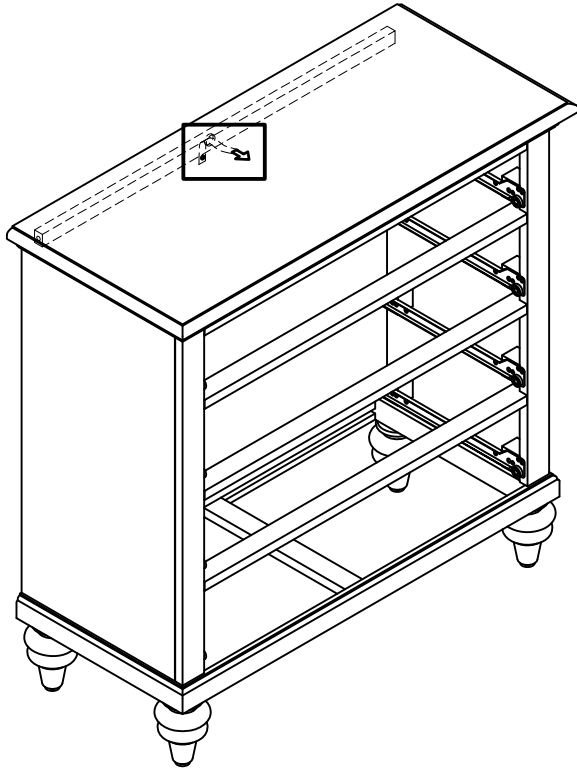
STEP 9

Attach 1/2" Round Head Screws and Flat Washers to unit

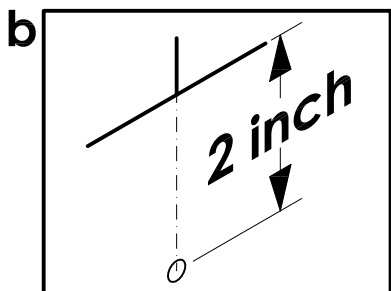
Note: Please make sure unit is level before tightening these screws.

ATTENTION!

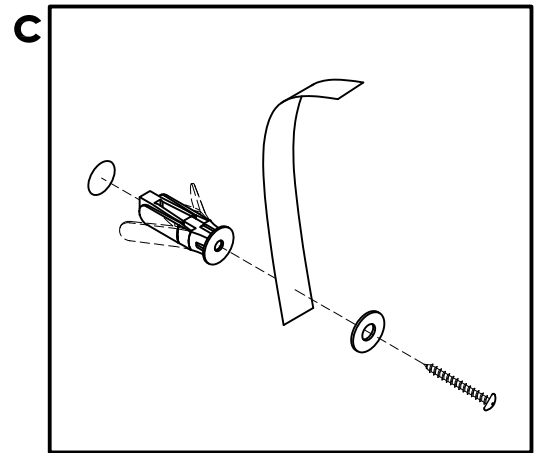
For safety reasons, please follow these instruction to prevent the unit from tipping over.



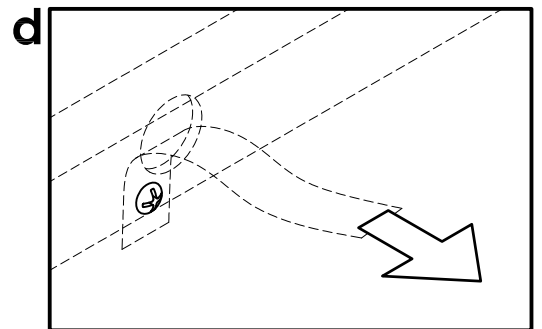
Place the unit on the wall at desired location. Mark with pencil to show the height and center of unit.



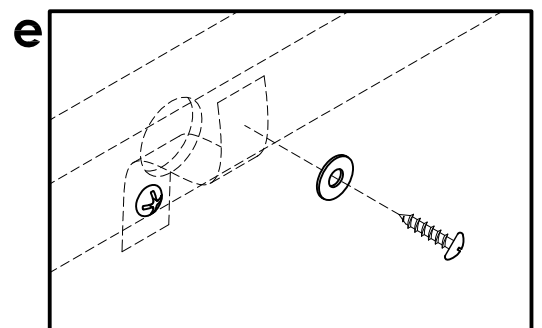
Move unit. Drill a 1/2" hole in the wall, 2 inches down and directly below the mark.



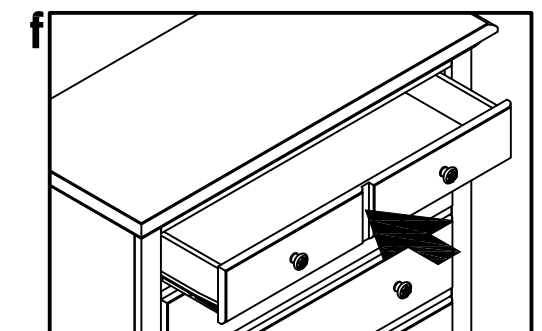
Attach Tipping Restraint to the wall using 1 1/2" Round Head Screw, Flat Washer & Anchor.



Insert Tipping Restraint to unit through the hole of Back Panel (G).

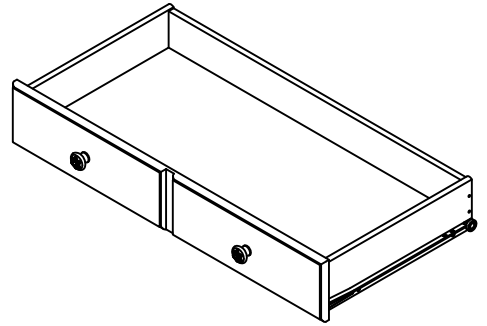


Screw Tipping Restraint to unit using 1/2" Round Head Screw & Flat Washer.



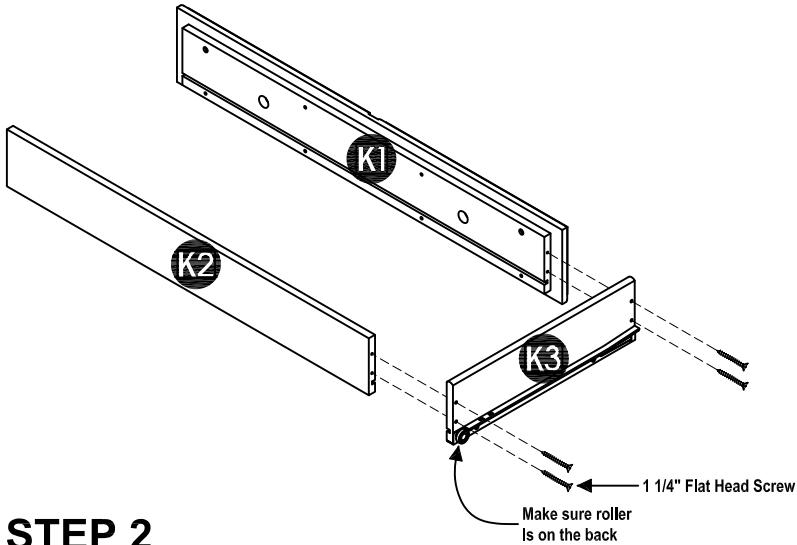
Insert drawers (K, L) into unit.

Drawer (K)



STEP 1

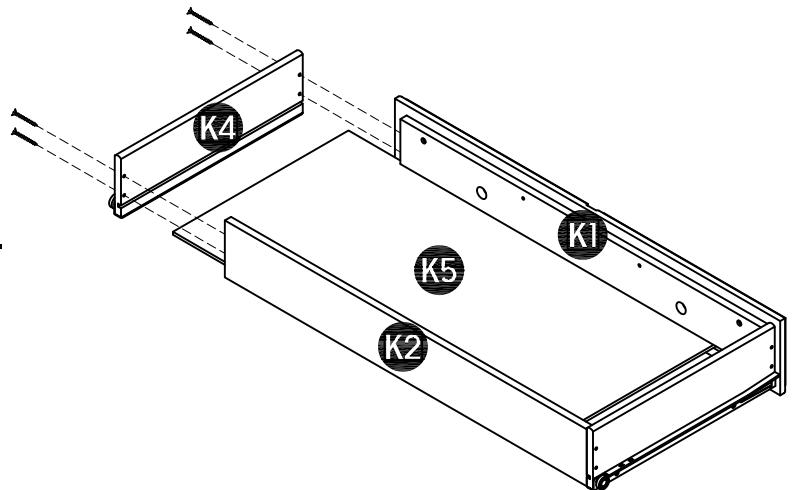
Attach Side Part (K3) to Front Part (K1) and Back Part (K2) using a Phillips screwdriver and 1 1/4" Flat Head Screws.



STEP 2

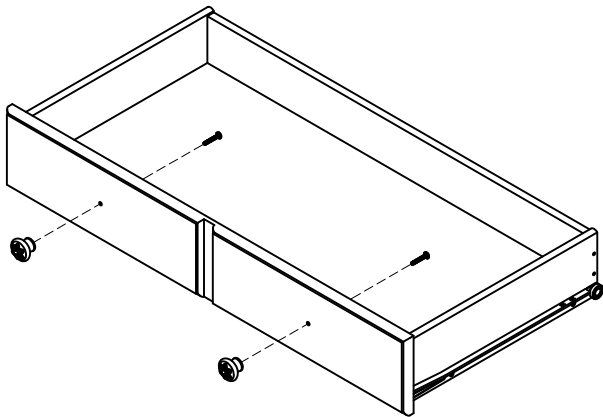
Insert Base Part (K5) into the groove.

Attach Side Part (K4) to Front Part (K1) and Back Part (K2) using a Phillips screwdriver and 1 1/4" Flat Head Screws.

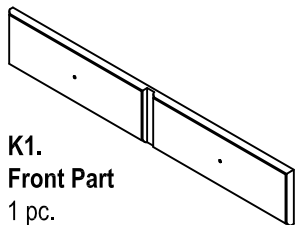


STEP 3

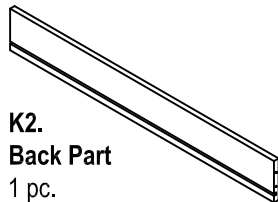
Attach Handle with Machine Screws.



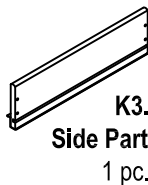
Part List



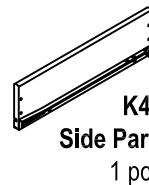
K1.
Front Part
1 pc.



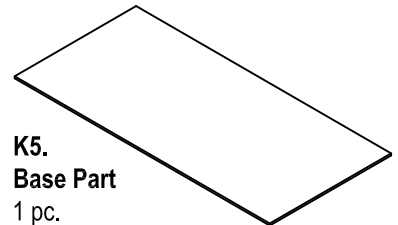
K2.
Back Part
1 pc.



K3.
Side Part
1 pc.

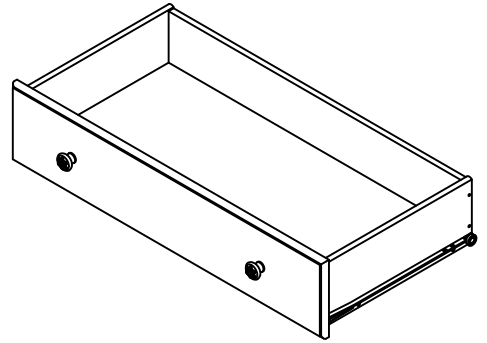


K4.
Side Part
1 pc.



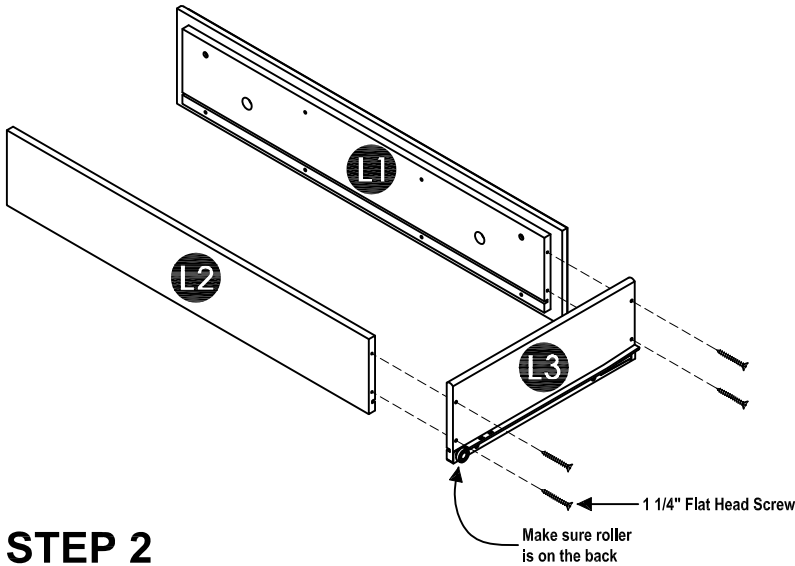
K5.
Base Part
1 pc.

Drawer (L)



STEP 1

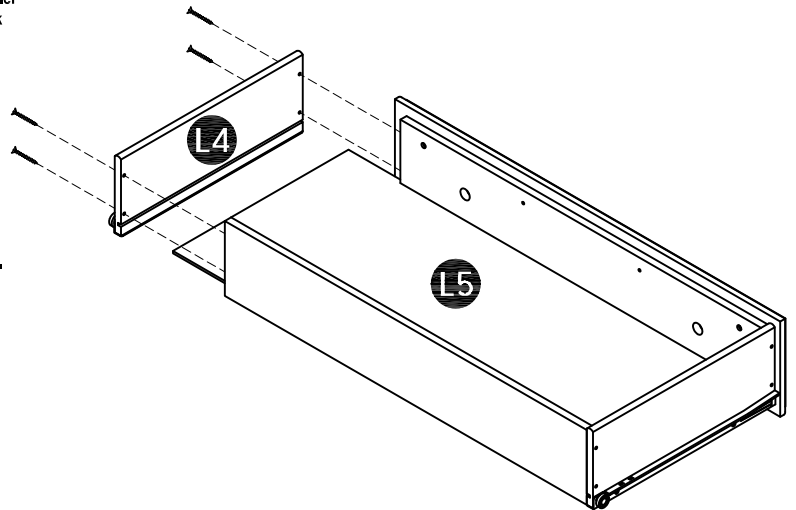
Attach Side Part (L3) to Front Part (L1) and Back Part (L2) using a Phillips screwdriver and 1 1/4" Flat Head Screws.



STEP 2

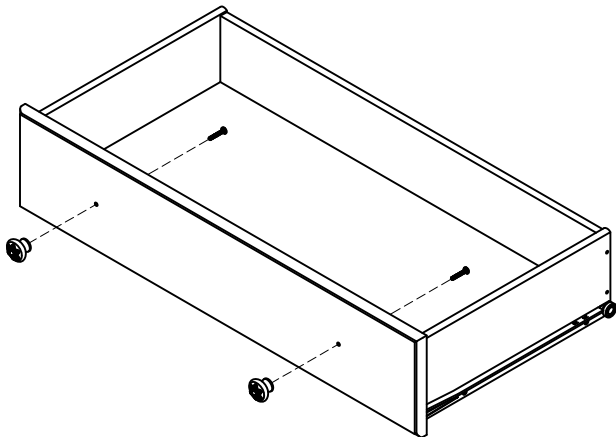
Insert Base Part (L5) into the groove.

Attach Side Part (L4) to Front Part (L1) and Back Part (L2) using a Phillips screwdriver and 1 1/4" Flat Head Screws.

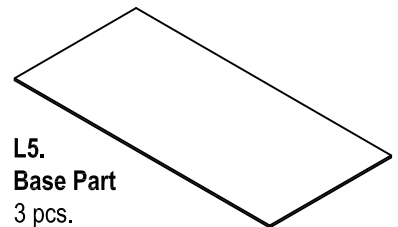
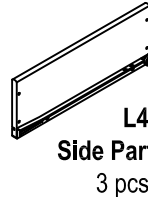
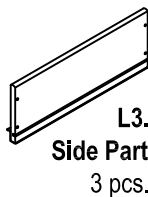
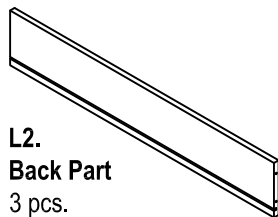
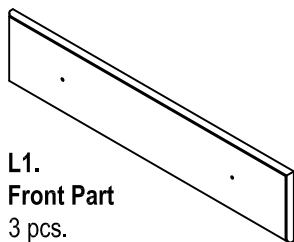


STEP 3

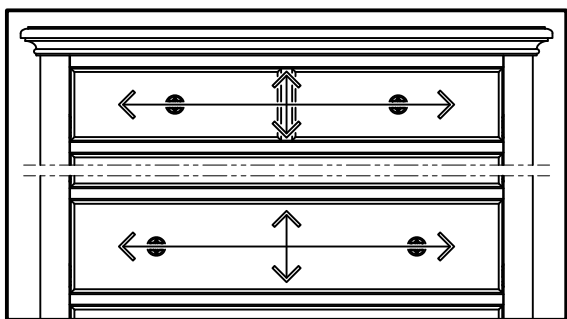
Attach Handle with Machine Screws.



Part List



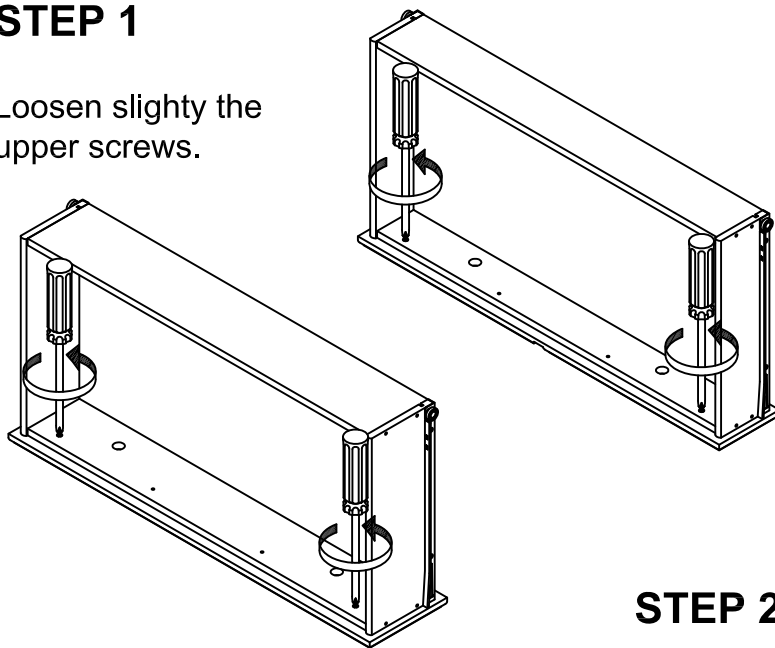
Assembly Instructions 8/8



I. IF A DRAWER DOES NOT ALIGN

STEP 1

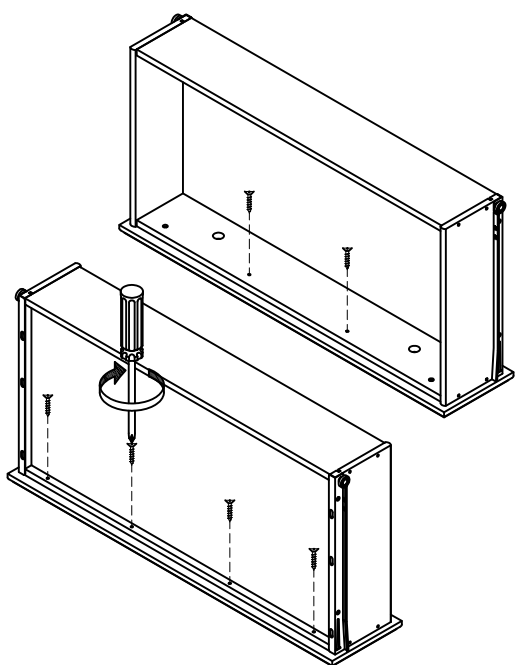
Loosen slightly the upper screws.



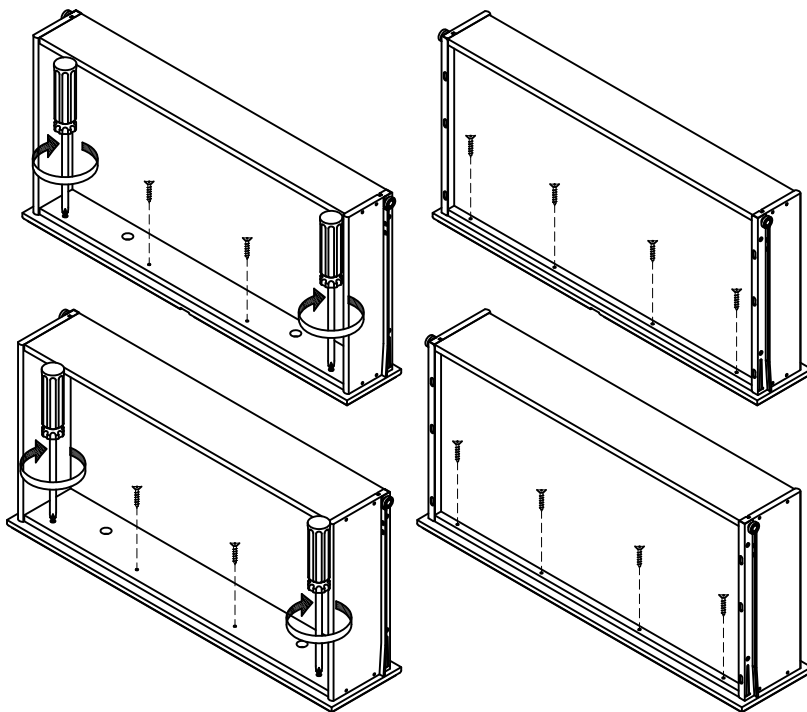
STEP 2

Insert the drawer into the main body, then adjust the drawer front panel left or right and up or down, until the drawer gaps look proportional.

II. IF A DRAWER ALREADY ALIGNS



Pull out drawer slowly. Lock the drawer front panel into position with 3/4" Flat Head Screws.



STEP 3

Pull the drawer open slowly and tighten the upper screws. Make sure the front panel does not move and lock the drawer front panel into position with 3/4" Flat Head Screws.

VERY IMPORTANT !!

CARE INSTRUCTIONS

NEVER

USE GLASS CLEANERS ON FINISHED FURNITURE. AMMONIA WILL CHEMICALLY ATTACK THE LACQUER.

NEVER

ALLOW LIQUIDS OF ANY KIND TO REMAIN ON THE FURNITURE. ABSORPTION CAUSES WOOD TO WARP AND SPLIT AND FINISHES TO DELAMINATE.

DO NOT WRITE DIRECTLY ON SURFACE.



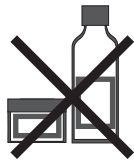
PREVENT MARKING

DO NOT PLACE IN DIRECT SUNLIGHT.



PREVENT FADING

DO NOT USE COMMERCIAL WAXES AND POLISHES.



PREVENT YELLOWING

DO NOT PLACE HOT OBJECTS ON SURFACE.



PREVENT FINISH DAMAGE

DO NOT USE RUBBER BASED PLACE MATS.



PREVENT DISCOLORING

TO CLEAN

USE A SOFT CLOTH MOISTENED IN LEMON OIL POLISH OR LUKEWARM SOAP AND WATER, THEN BUFF WITH A DRY CLEAN CLOTH.

