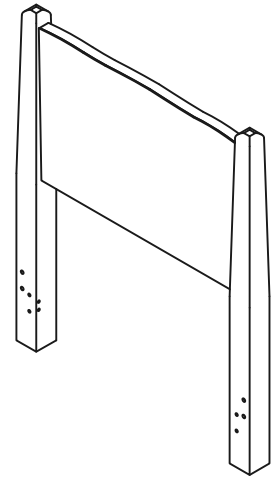


# Twin Headboard



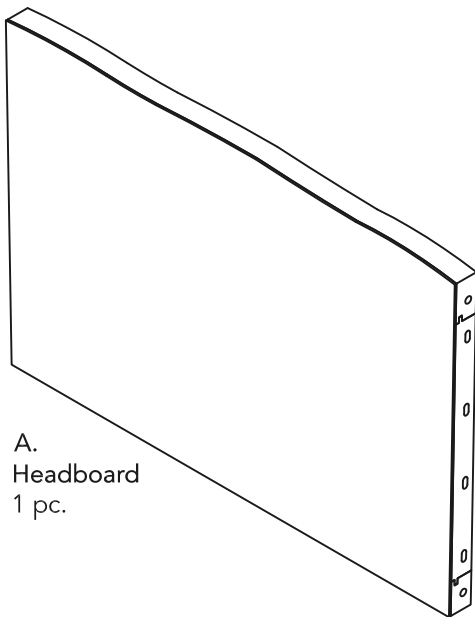
## IMPORTANT

Carefully remove all the parts from the carton and place them individually on a soft cloth to prevent scratches or other damage.

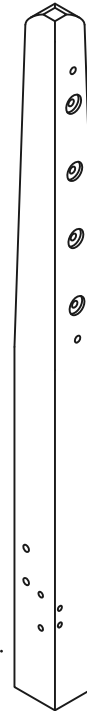
Carefully and strictly follow these assembly instructions to ensure a completed product as designed.

Do not use power tools above 8 volts to assemble.

## Part List



A.  
Headboard  
1 pc.

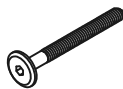


B.  
Leg  
1 pc.



C.  
Leg  
1 pc.

## Hardware List



M6x80  
Head Cap Bolt  
8 pcs. (+1 extra)



Flat Washer  
8 pcs. (+1 extra)



Spring Washer  
8 pcs. (+1 extra)



Hex Wrench  
1 pc.



Small Hex Wrench  
1 pc.



Dowel  
4 pcs. (+1 extra)

## Assembly Instructions 2/2

### IMPORTANT

- Use a soft cloth between these parts and the floor.
- Do not use power tools above 8 volts to assemble.
- Do not tighten up all the bolts until each part is properly assembled.
- Keep Hex Wrench as the bolts may need to be tightened in the future.

### STEP 1

Attach Headboard (A) to Legs (B) and (C) with Dowels, Flat Washers, Spring Washers and Head Cap Bolts.

Tighten Head Cap Bolts with Hex Wrench. (See Figure 1)

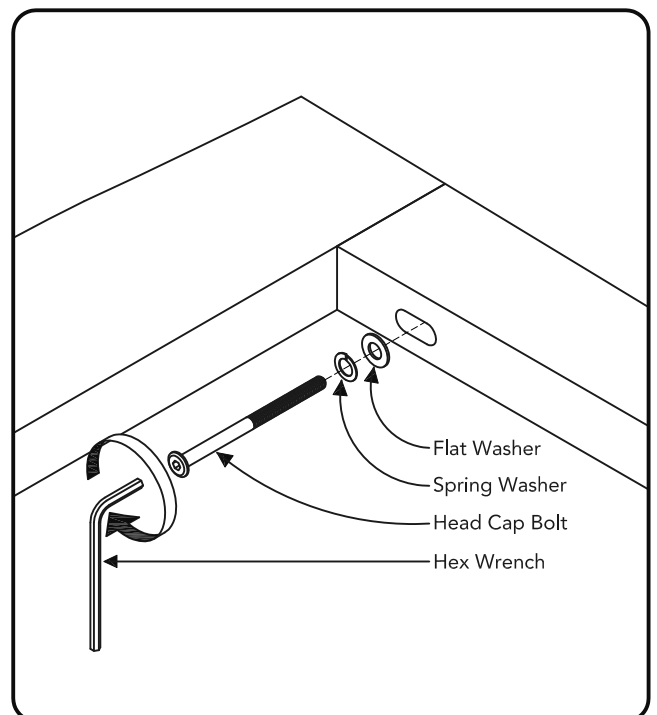
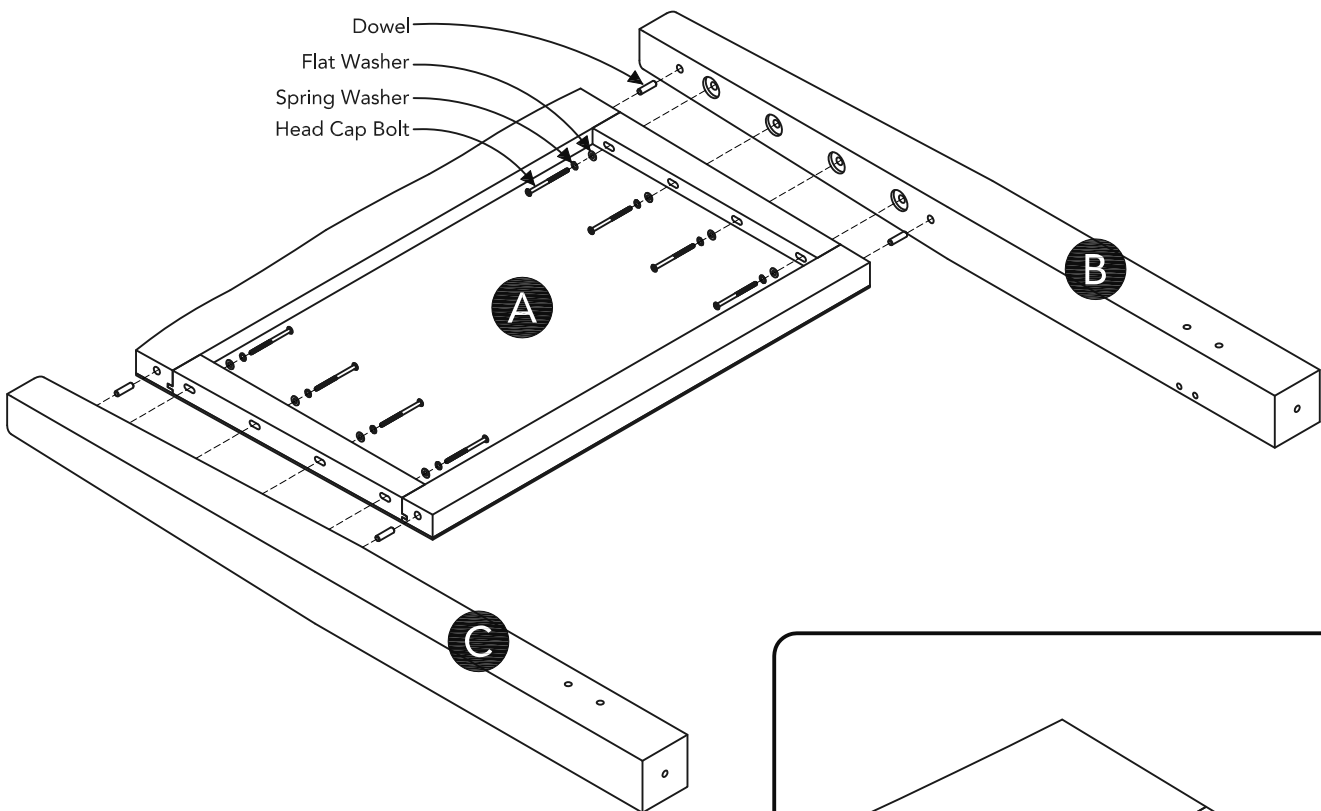


Figure 1

# CARE INSTRUCTIONS

## NEVER

allow liquids to remain on furniture.  
Absorption causes parts to warp  
and split and finishes to delaminate.

## NEVER

use glass cleaners on  
finished furniture. Ammonia  
chemically attacks the finish.



Do not use power tools  
above 8 volts to assemble.

**PREVENT  
CRACKING**



Do not place  
in direct sunlight.

**PREVENT  
FADING**



Do not write  
directly on surface.

**PREVENT  
MARKING**



Do not place hot  
objects on surface.

**PREVENT  
FINISH DAMAGE**



Do not use rubber  
based placemats.

**PREVENT  
DISCOLORING**



Do not use commercial  
waxes and polishes.

**PREVENT  
YELLOWING**

## CLEAN

with a soft cloth moistened  
in lukewarm soap and water.  
Buff with a dry clean cloth.



Home Styles will provide replacements free of charge for missing or damaged hardware or parts within 30 days of purchase. Digital images of the defective parts may be required. If the product was not purchased from an authorized retail affiliate, Home Styles is under no obligation to provide replacement parts. Parts are not available for fully assembled items nor are parts available for sale. Replacements for missing or damaged hardware or parts may be requested at:

[www.homestyles-furniture.com/customer-service/replacement-parts](http://www.homestyles-furniture.com/customer-service/replacement-parts)

Home Styles Customer Service: [www.homestyles-furniture.com](http://www.homestyles-furniture.com),  
[servicedesk@homestyles-furniture.com](mailto:servicedesk@homestyles-furniture.com), 888-680-7460, 877-831-0319