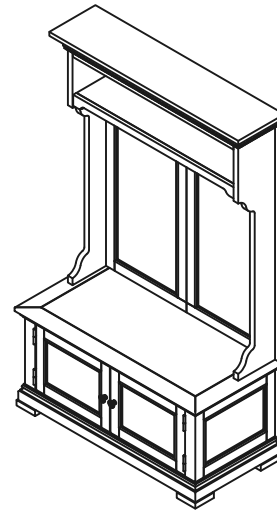


# Hall Tree



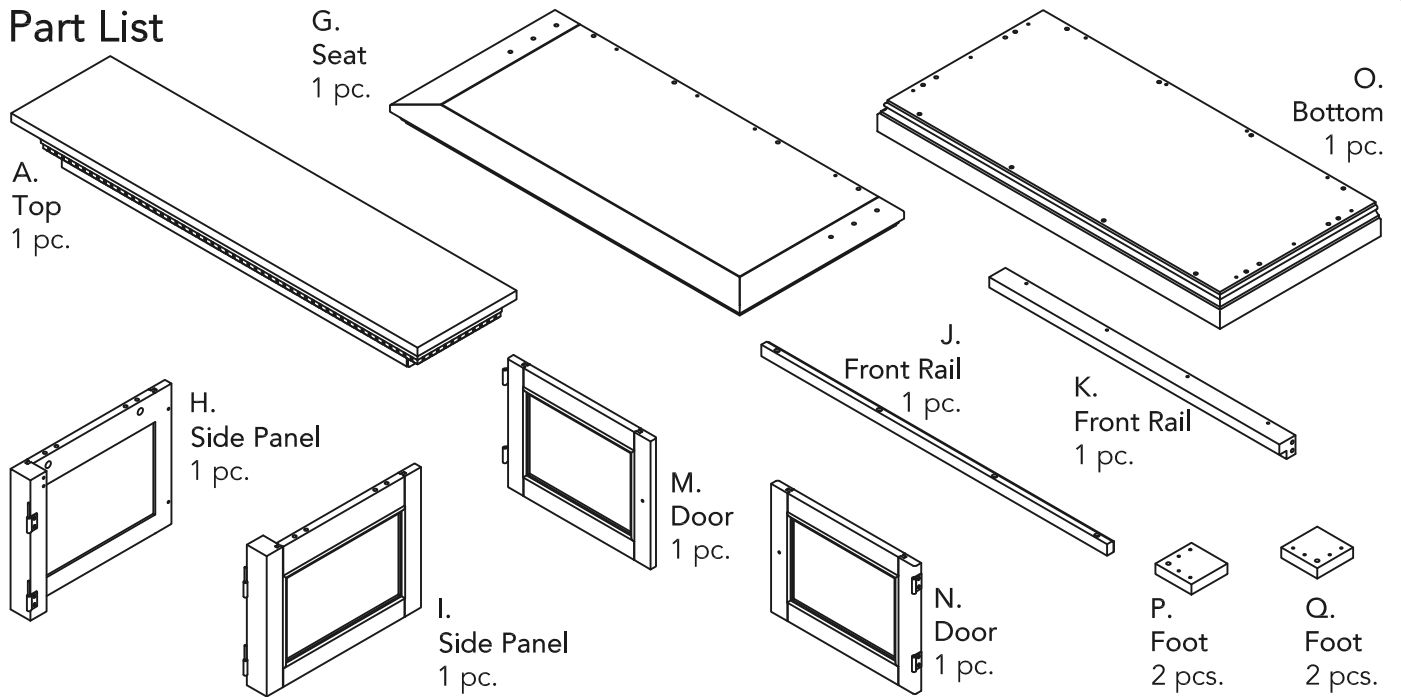
## IMPORTANT

Carefully remove all the parts from the carton and place them individually on a soft cloth to prevent scratches or other damage.

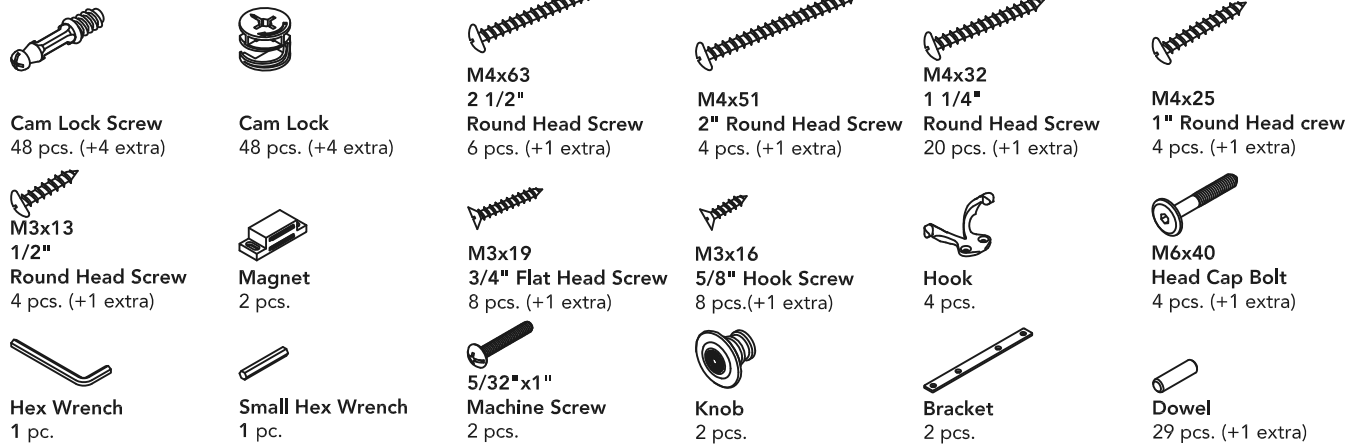
Carefully and strictly follow these assembly instructions to ensure a completed product as designed.

Do not use power tools above 8 volts to assemble.

## Part List



## Hardware List



Carton 20 05504 0491 is also needed for assembly.

Tool(s) required for assembly: Phillips screwdriver, Level, Drill (8 volts or less), 3/8" Drill Bit

Home Styles Customer Service: [www.homestyles-furniture.com](http://www.homestyles-furniture.com),  
 servicedesk@homestyles-furniture.com, 888-680-7460, 877-831-0319

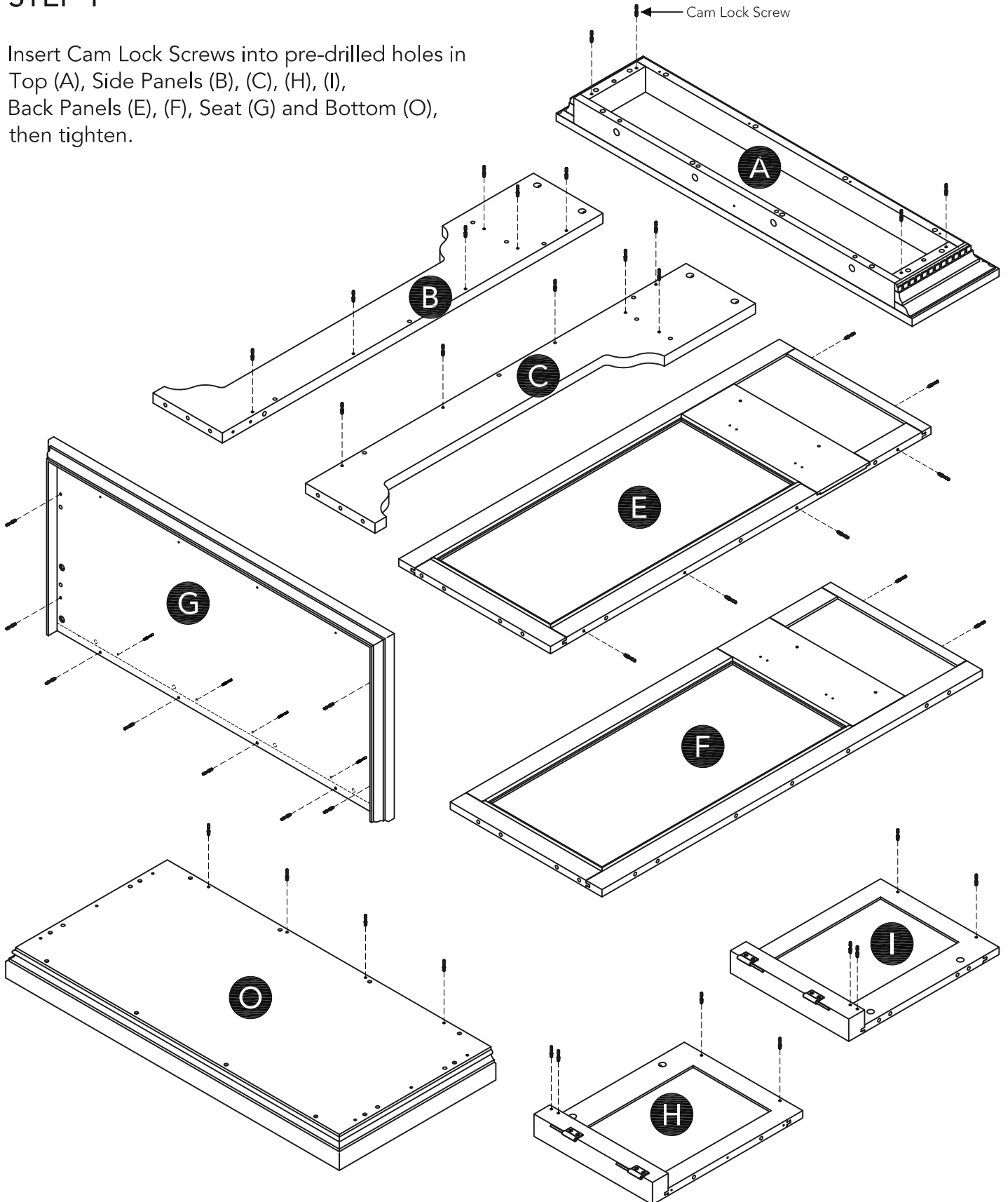
# Assembly Instructions 2/11

## IMPORTANT

- Use a soft cloth between these parts and the floor.
- Do not use power tools above 8 volts to assemble.
- Do not tighten all the bolts until each part is properly assembled.
- The unit must be level to work properly. Use the included adjustable levelers to level.
- Keep Hex Wrench as the Bolts may need to be tightened in the future.

## STEP 1

Insert Cam Lock Screws into pre-drilled holes in Top (A), Side Panels (B), (C), (H), (I), Back Panels (E), (F), Seat (G) and Bottom (O), then tighten.



# Assembly Instructions 3/11

## STEP 2

Attach Front Rail (K) and Back Panel (L) to Side Panel (H) with Cam Locks.  
(See Figure 1)

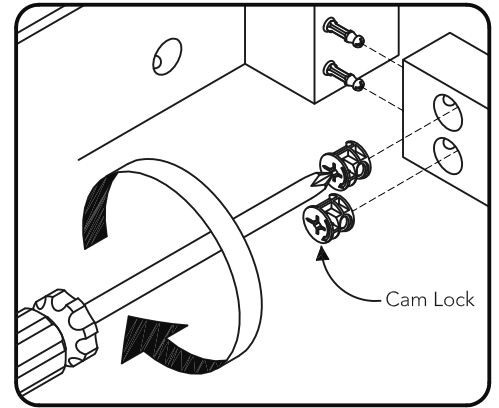
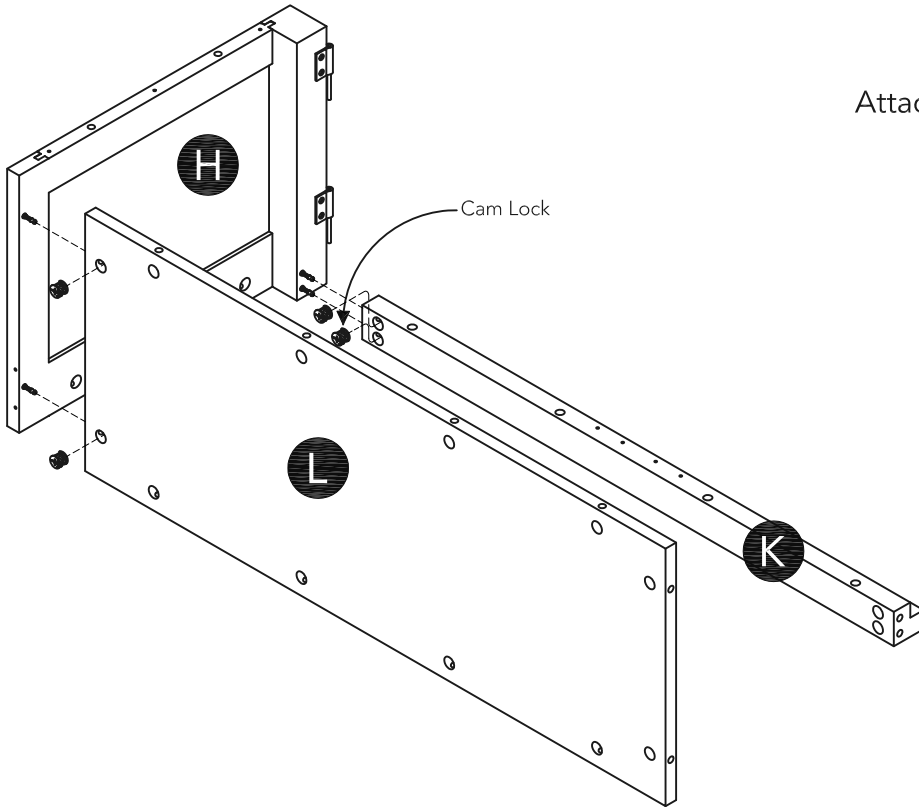
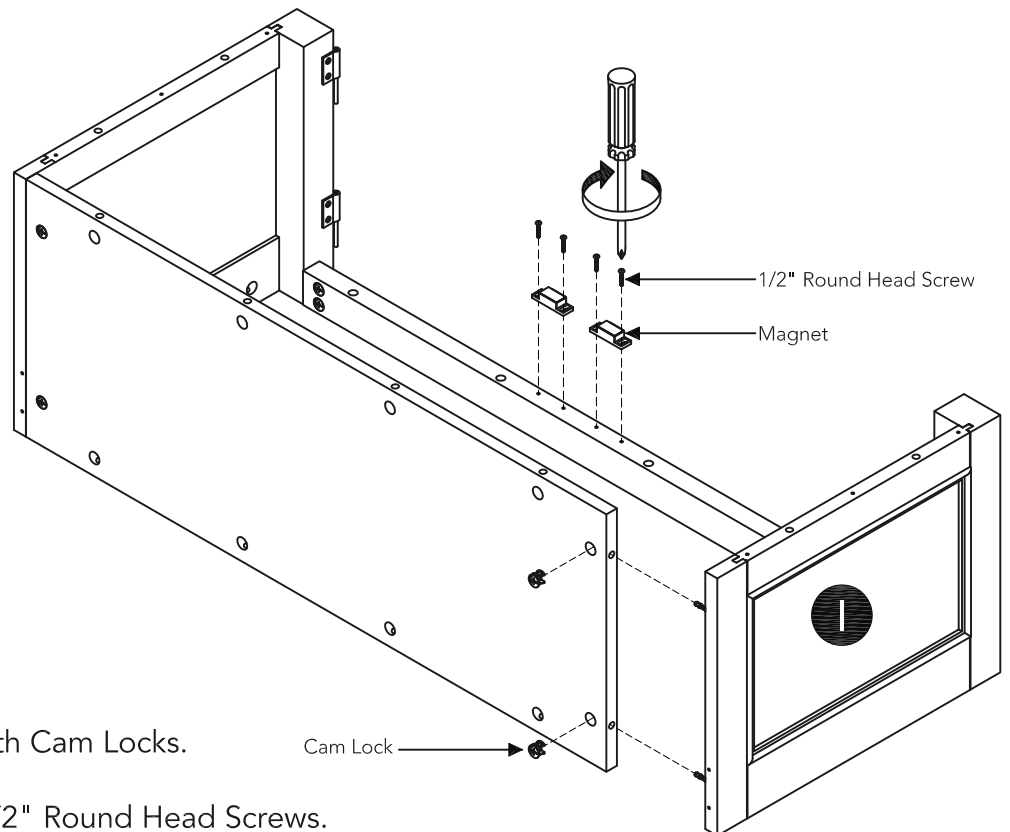


Figure 1

## STEP 3

Attach Side Panel (I) to unit with Cam Locks.

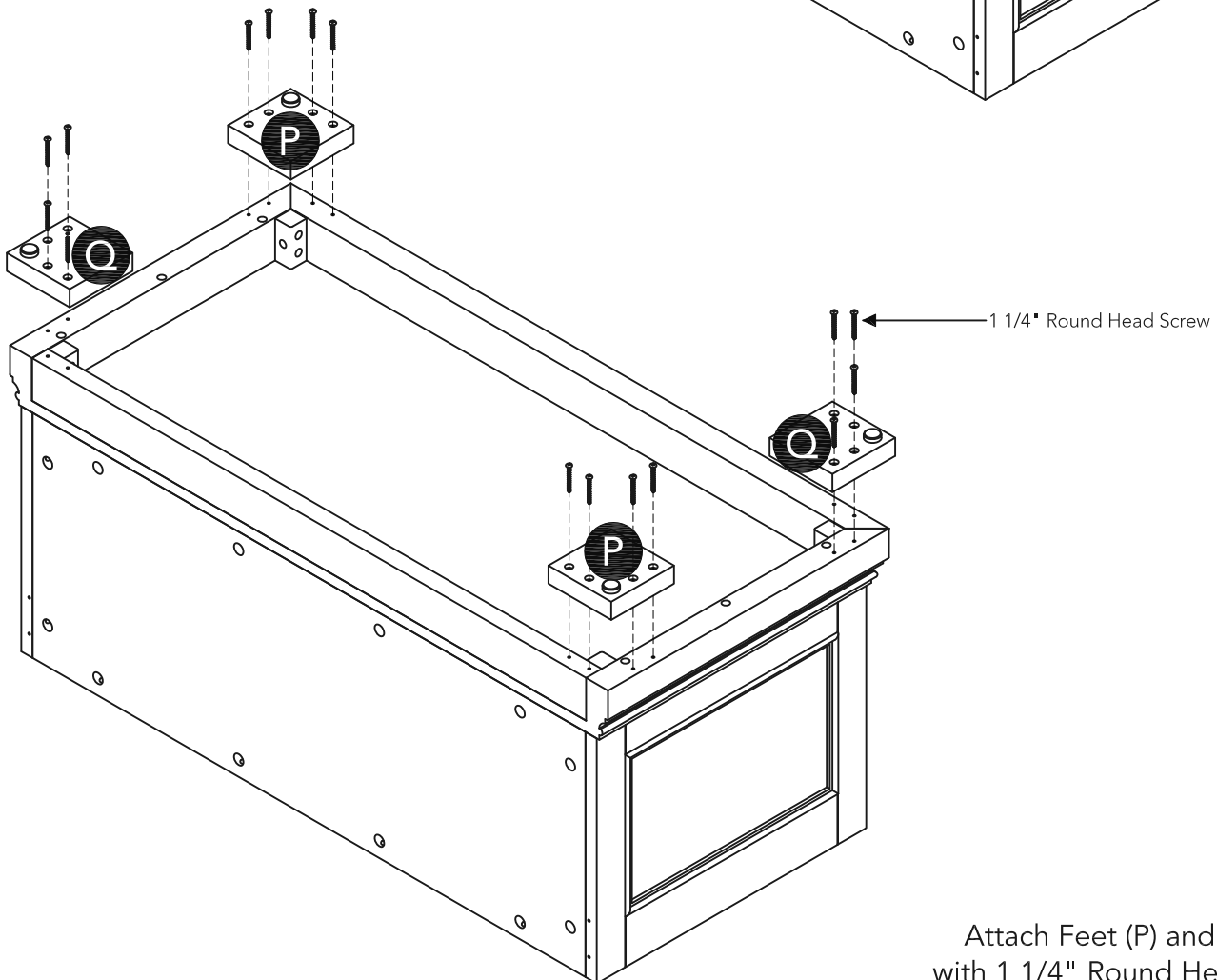
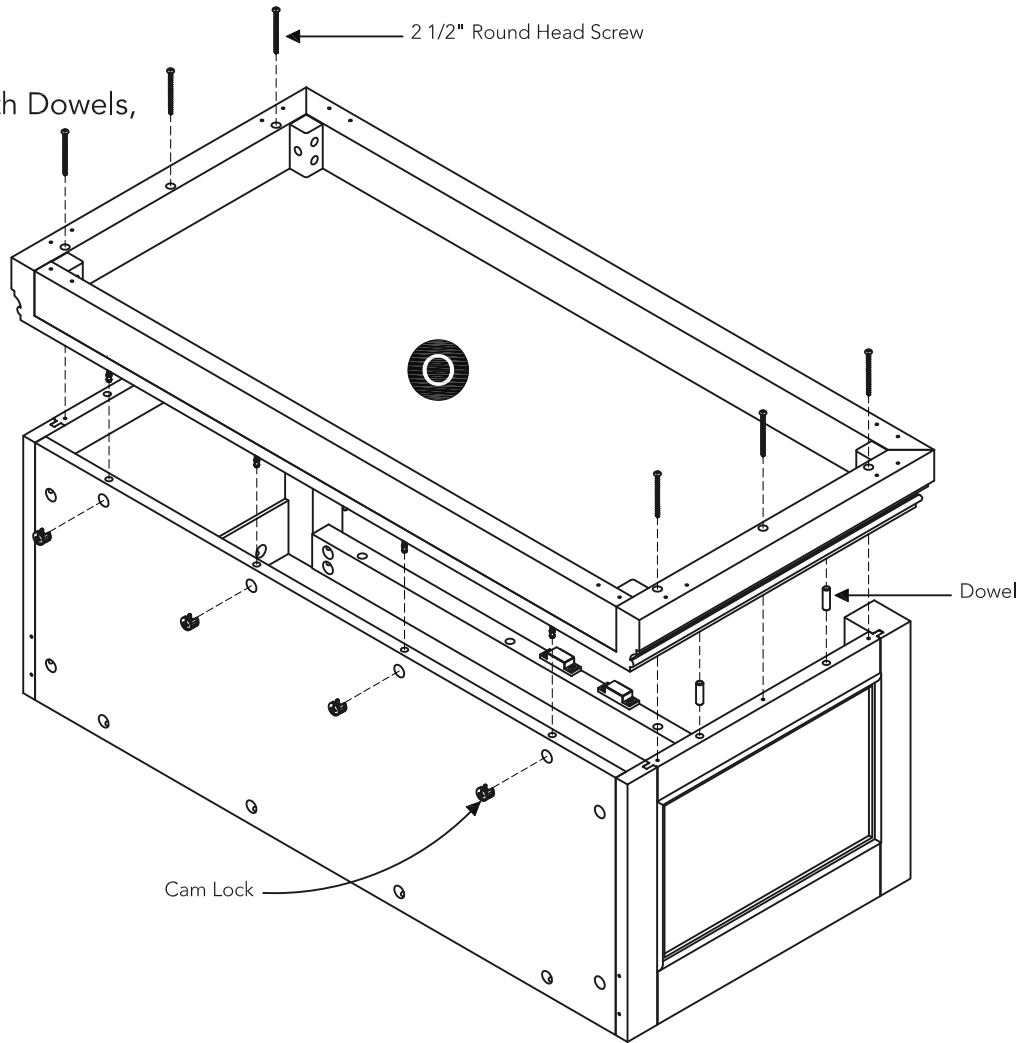
Attach Magnets to unit with 1/2" Round Head Screws.



# Assembly Instructions 4/11

## STEP 4

Attach Bottom (O) to unit with Dowels, Cam Locks and 2 1/2" Round Head Screws.



## STEP 5

Attach Feet (P) and (Q) to unit with 1 1/4" Round Head Screws.

STEP 6

Turn over unit to its upright position.

Attach Doors (M) and (N) by sliding door hinges into side panel hinges.  
(See Figure 2)

Attach Knobs to Doors (M) and (N) with Machine Screws.

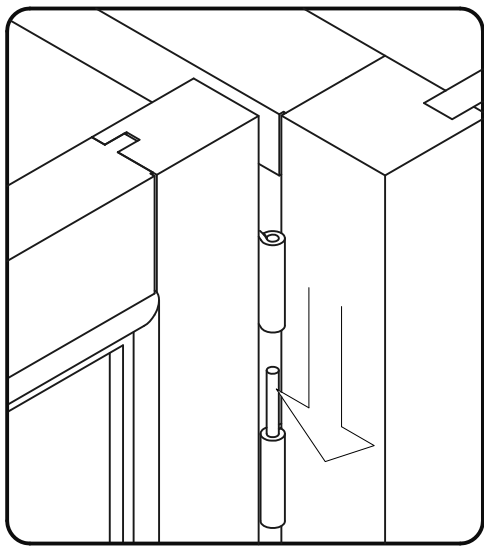
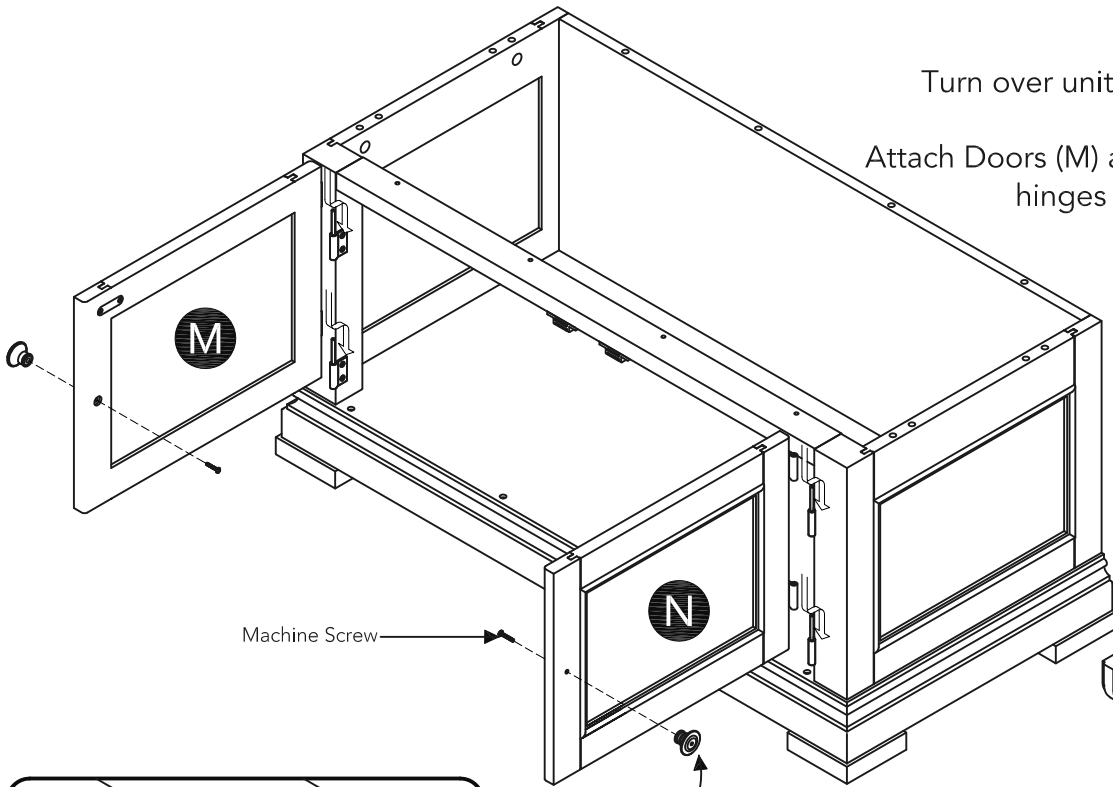
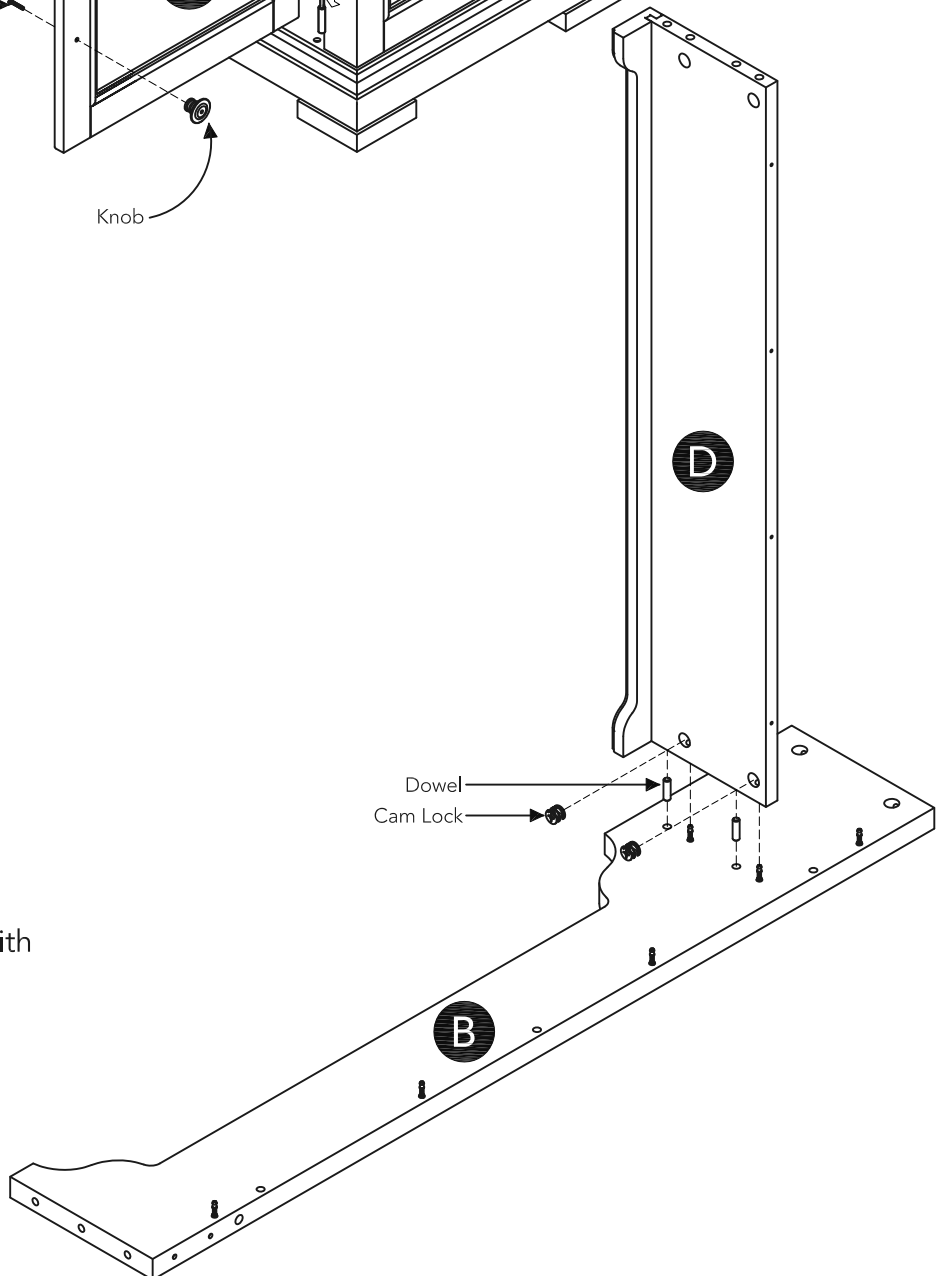


Figure 2

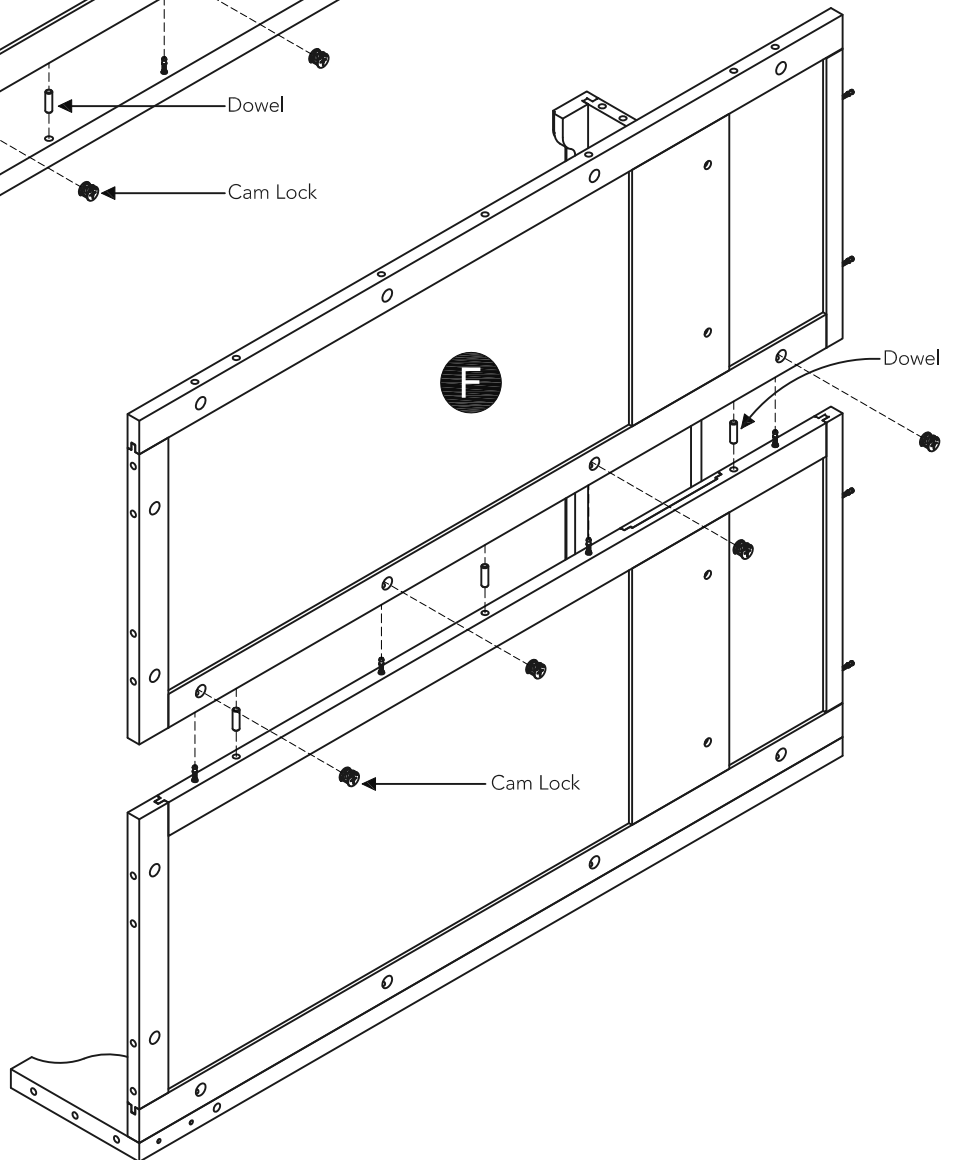
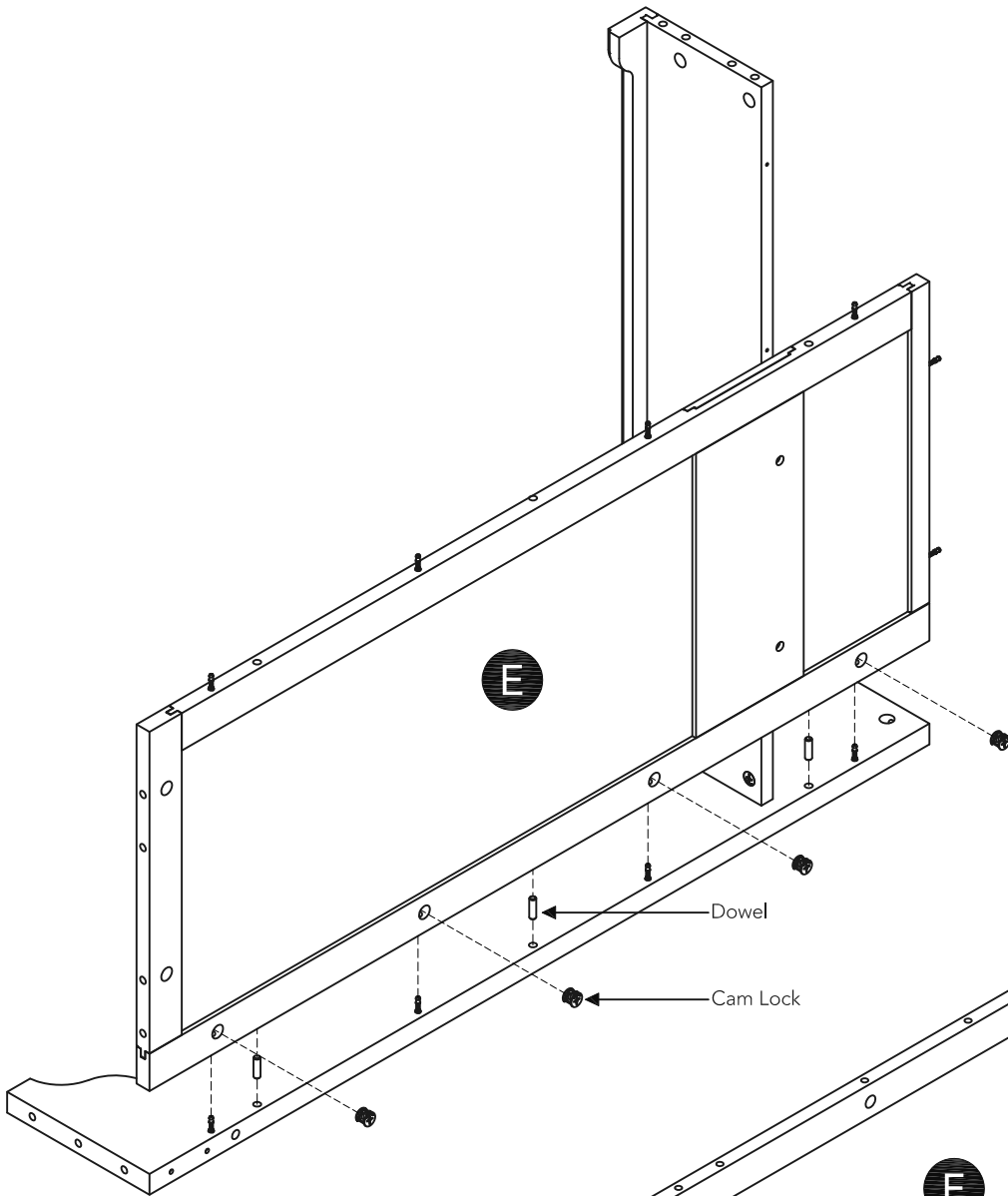
STEP 7

Attach Shelf (D) to Side Panel (B) with Dowels and Cam Locks.



STEP 8

Attach Back Panel (E) to unit with Dowels and Cam Locks.



STEP 9

Attach Back Panel (F) to unit with Dowels and Cam Locks.

# Assembly Instructions 7/11

## STEP 10

Attach Side Panel (C) to unit with Dowels and Cam Locks.

Insert 1" Round Head Screws to unit, then tighten.

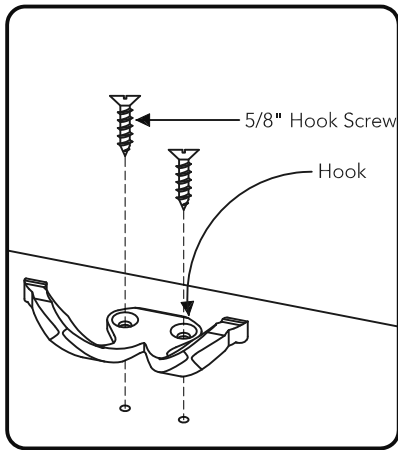
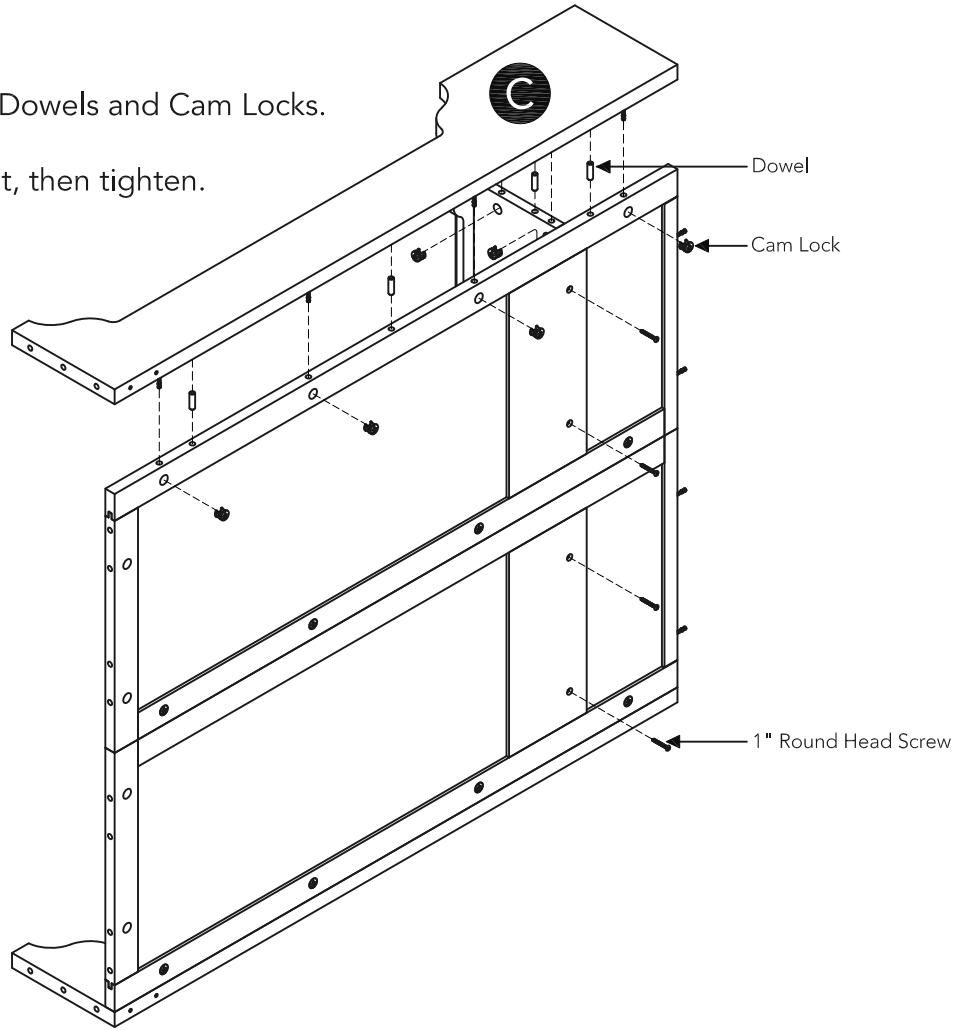
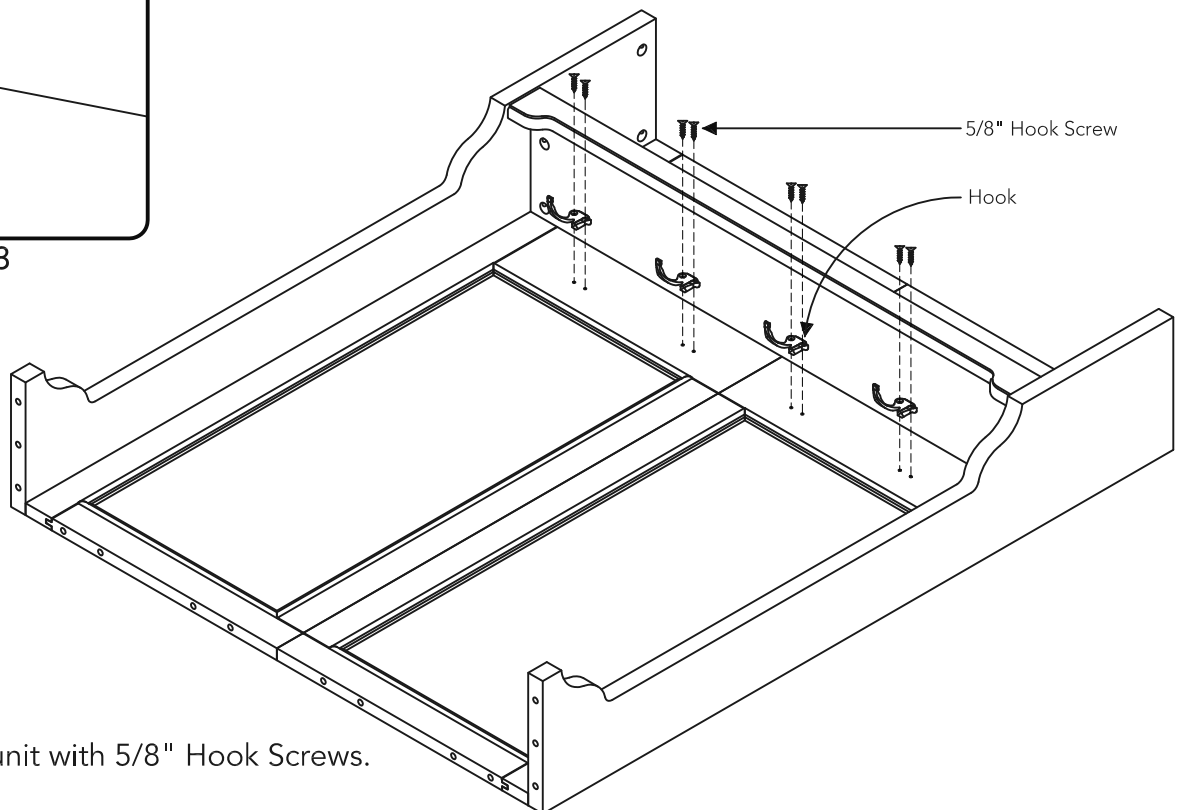


Figure 3



## STEP 11

Attach Hooks to unit with 5/8" Hook Screws.  
(See Figure 3)

# Assembly Instructions 8/11

## STEP 12

Attach Seat (G) to unit with Dowels and Head Cap Bolts.

Tighten Head Cap Bolts with Hex Wrench.  
(See Figure 4)

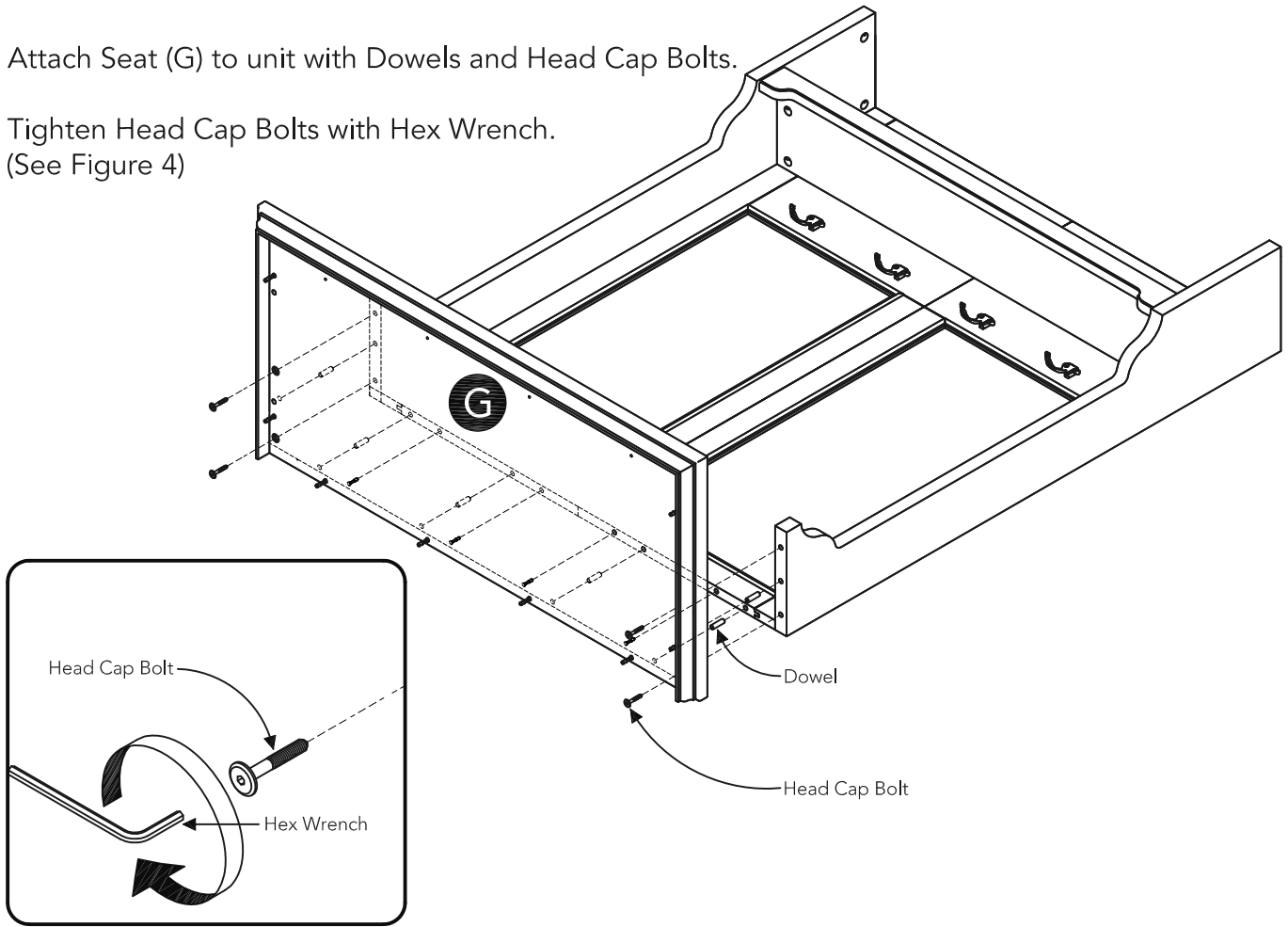
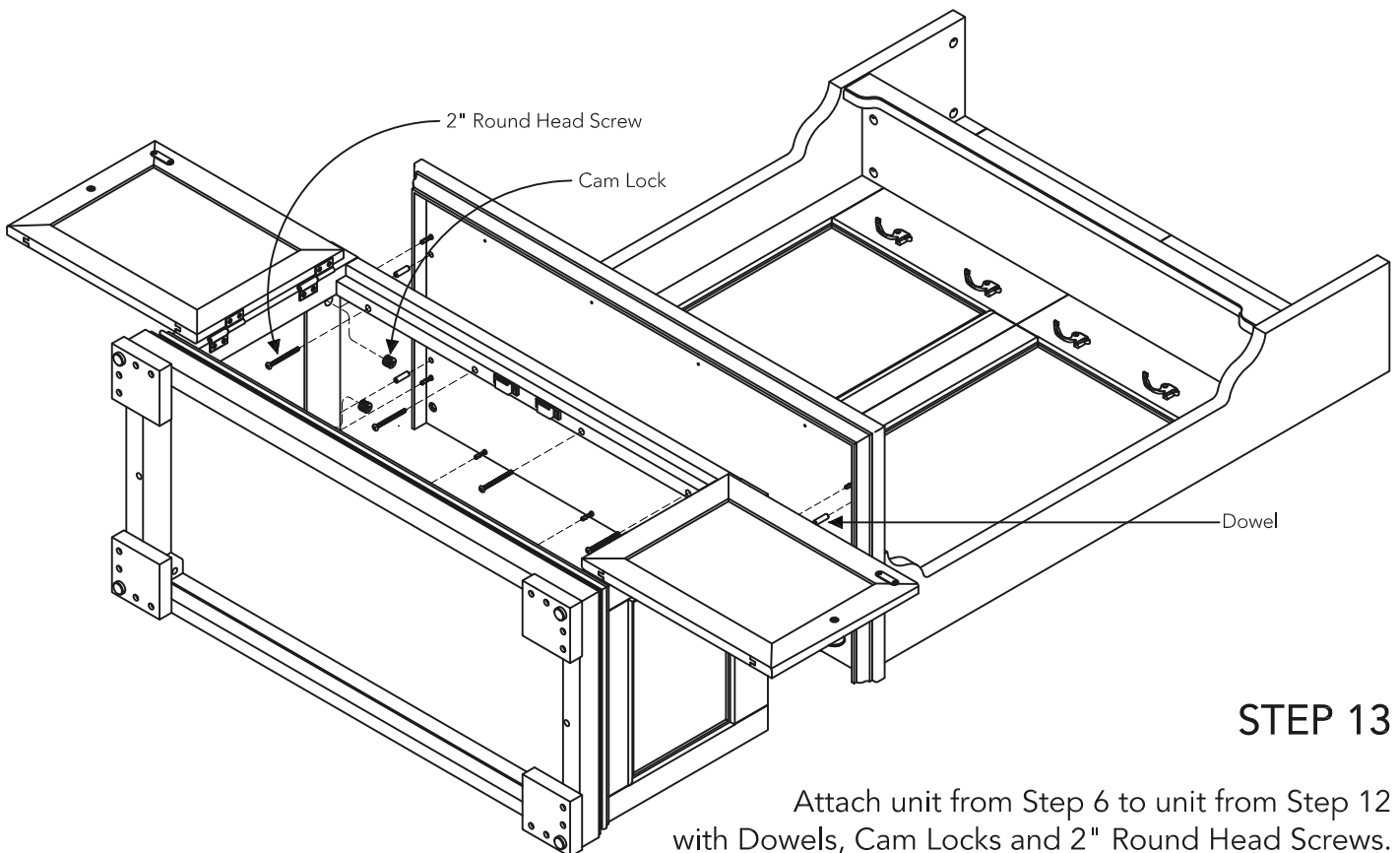


Figure 4



## STEP 13

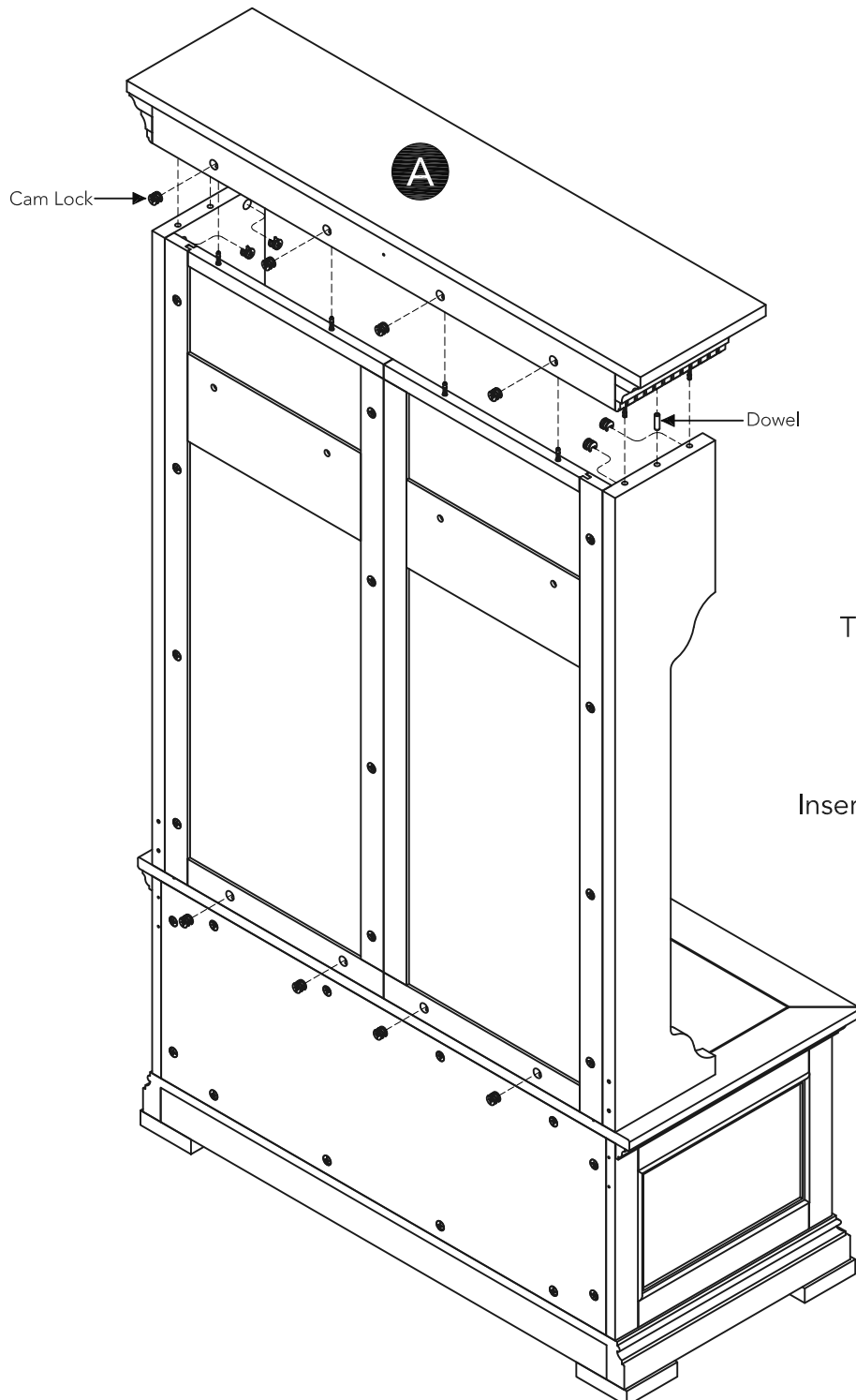
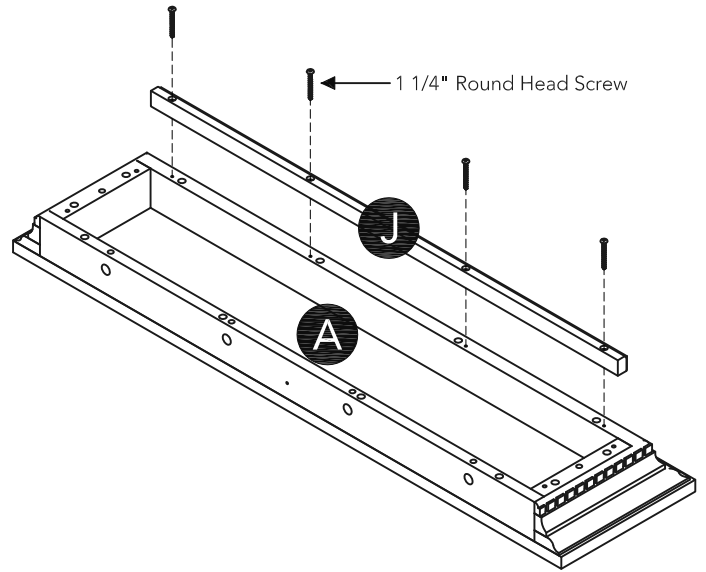
Attach unit from Step 6 to unit from Step 12  
with Dowels, Cam Locks and 2" Round Head Screws.



# Assembly Instructions 9/11

## STEP 14

Attach Front Rail (J) to Top (A) with 1 1/4" Round Head Screws.



## STEP 15

Turn over unit to its upright position.

Attach Top (A) to unit with Dowels and Cam Locks.

Insert Cam Locks into unit, then tighten.

STEP 16

Attach Brackets to unit with 3/4" Flat Head Screws.  
(See Figure 5)

Level unit by adjusting the adjustable levelers  
on bottom of unit. (See Figure 6)

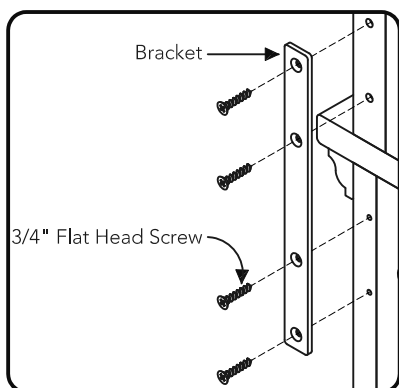
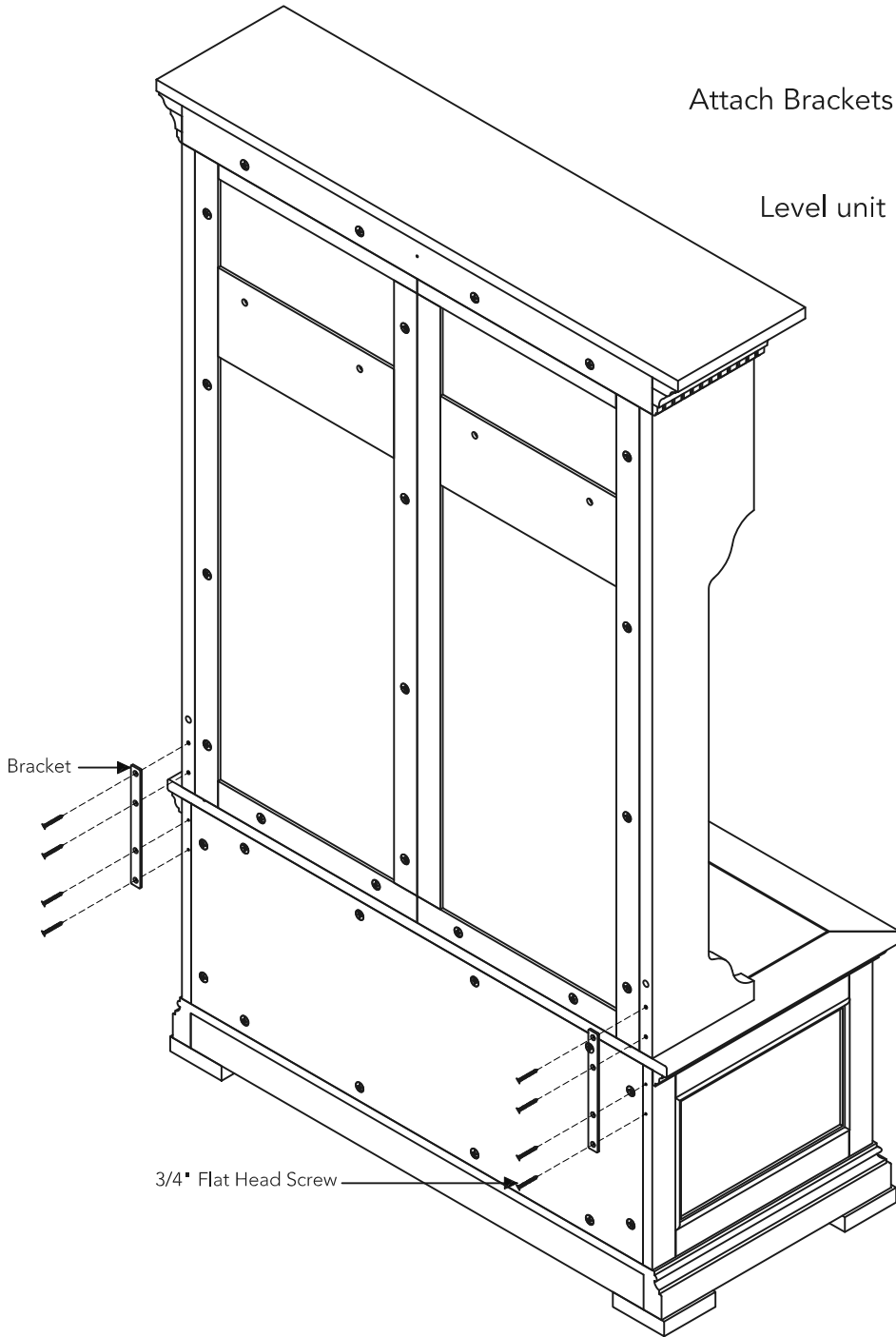


Figure 5

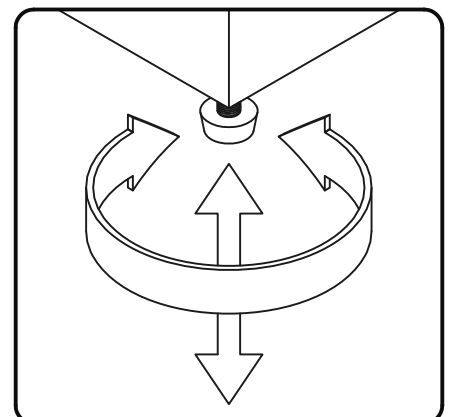


Figure 6

# Assembly Instructions 11/11

## IMPORTANT

- To help reduce the risk of the unit tipping over, the Tipover Restraint must be installed following these instructions exactly.

## STEP 17

Place unit at desired location.

Drill a 3/8" hole in wall in-line with pre-drilled hole at top of unit.

Move unit.

Insert Anchor into the wall hole and attach Bracket with Wall Screw.

Attach Bracket at pre-drilled hole at top of unit with Wood Screw.

Move unit back into place.

Slide Tipover Restraint through Bracket on wall and Bracket on unit.  
(See Figure 7)

Put tie end of Tipover Restraint into lock end of Tipover Restraint and pull until tight.

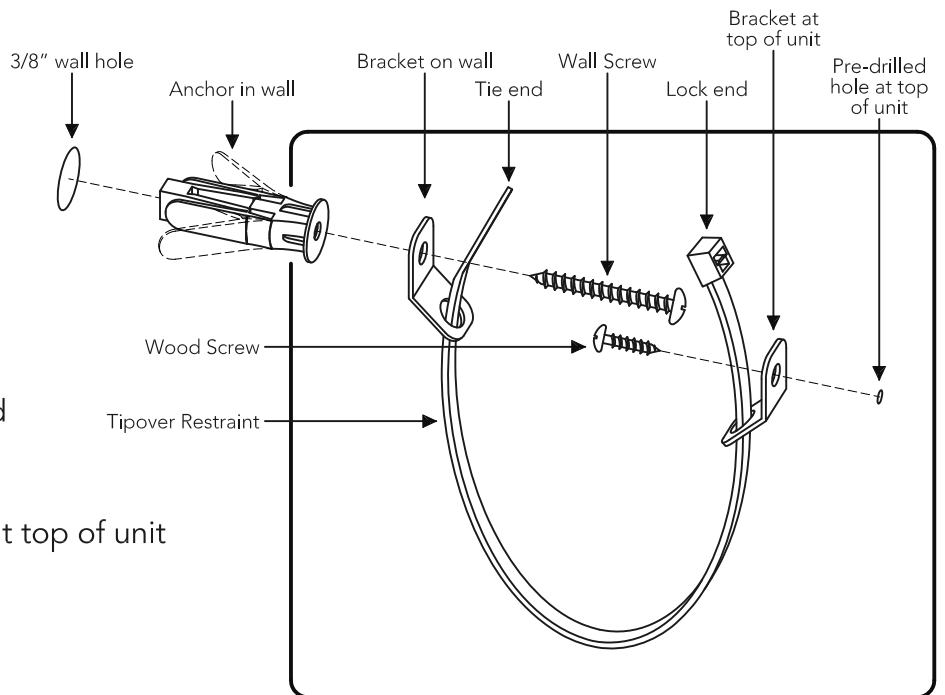
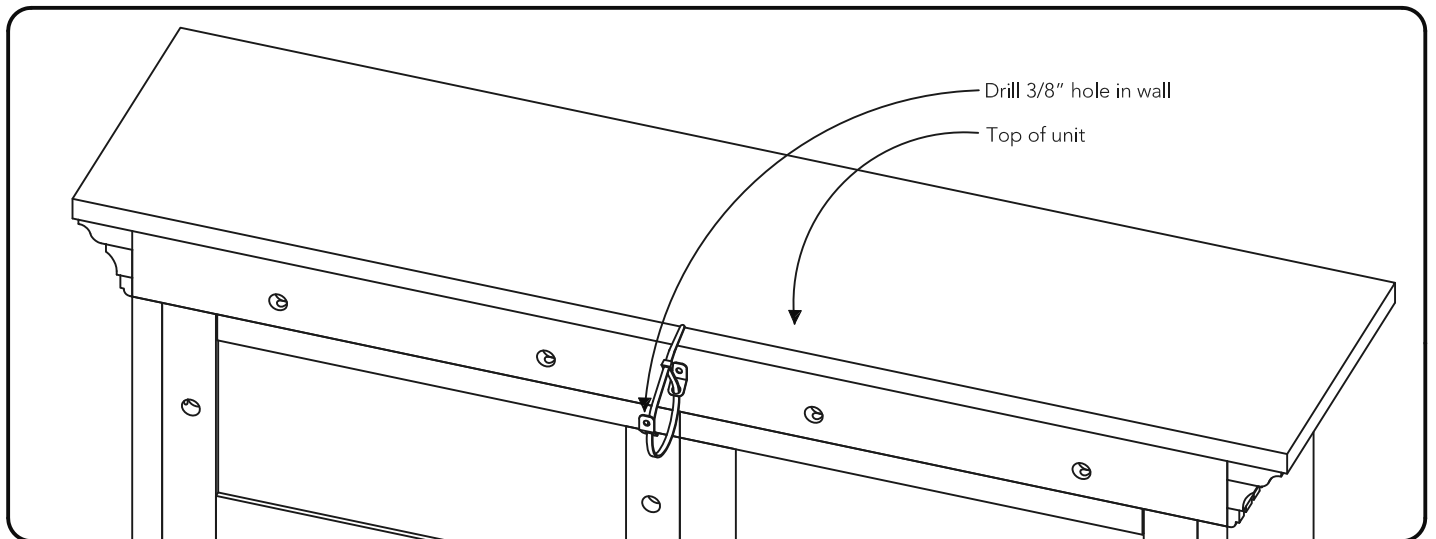
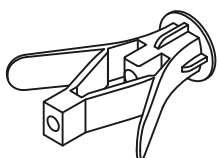


Figure 7



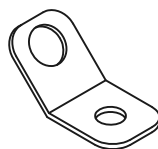
## Hardware List



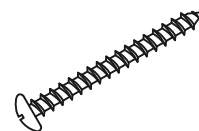
**Anchor**  
1 pc. (+1 extra)



**Tipover Restraint**  
1 pc.



**Bracket**  
2 pcs.



**M3x38  
Wall Screw**  
1 pc. (+1 extra)



**M3x13  
Wood Screw**  
1 pc. (+1 extra)

# CARE INSTRUCTIONS

## NEVER

allow liquids to remain on furniture.  
Absorption causes parts to warp  
and split and finishes to delaminate.

## NEVER

use glass cleaners on  
finished furniture. Ammonia  
chemically attacks the finish.



Do not use power tools  
above 8 volts to assemble.

**PREVENT  
CRACKING**



Do not place  
in direct sunlight.

**PREVENT  
FADING**



Do not write  
directly on surface.

**PREVENT  
MARKING**



Do not place hot  
objects on surface.

**PREVENT  
FINISH DAMAGE**



Do not use rubber  
based placemats.

**PREVENT  
DISCOLORING**

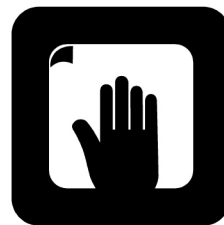


Do not use commercial  
waxes and polishes.

**PREVENT  
YELLOWING**

## CLEAN

with a soft cloth moistened  
in lukewarm soap and water.  
Buff with a dry clean cloth.



Home Styles will provide replacements free of charge for missing or damaged hardware or parts within 30 days of purchase. Digital images of the defective parts may be required. If the product was not purchased from an authorized retail affiliate, Home Styles is under no obligation to provide replacement parts. Parts are not available for fully assembled items nor are parts available for sale. Replacements for missing or damaged hardware or parts may be requested at:

[www.homestyles-furniture.com/customer-service/replacement-parts](http://www.homestyles-furniture.com/customer-service/replacement-parts)

Home Styles Customer Service: [www.homestyles-furniture.com](http://www.homestyles-furniture.com),  
[servicedesk@homestyles-furniture.com](mailto:servicedesk@homestyles-furniture.com), 888-680-7460, 877-831-0319