

IMPORTANT

Carefully remove all the parts from the carton and place them individually on a soft cloth to prevent scratches or other damage.

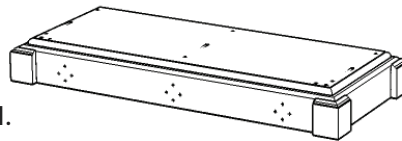
Carefully and strictly follow these assembly instructions to ensure a completed product as designed.

Do not use power tools above 8 volts to assemble.

Part List



F.
Front Rail
2 pcs.



M.
Base
1 pc.



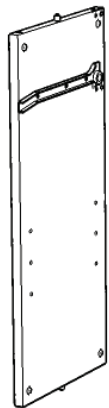
O.
Shelf
3 pcs.



J.
Side Panel
1 pc.



K.
Side Panel
1 pc.



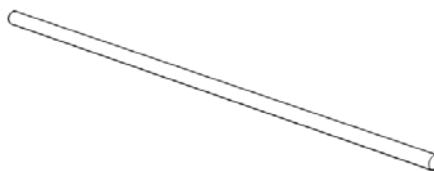
L.
Middle Panel
1 pc.



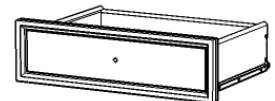
D.
Side Panel
2 pcs.



P.
Foot Rest Support
3 pcs.



Q.
Foot Rest
1 pc.



R.
Drawer
1 pc.

Refer to later page(s) of these instructions for drawer assembly.

Hardware List



Hex Wrench
1 pc.



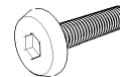
Cam Lock
39 pcs. (+6 extra)



Adjustable Pin
12 pcs. (+1 extra)



M3x25
Wood Screw (long)
8 pcs. (+1 extra)



M6x25
Head Cap Bolt
11 pcs. (+1 extra)



Flat Washer
11 pcs. (+1 extra)



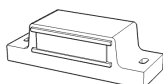
Knob
2 pcs.



Small Hex Wrench
1 pc.



Cam Lock Screw
39 pcs. (+2 extra)



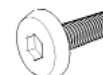
Magnet
1 pc.



M3x12
Wood Screw
for Magnet
2 pcs. (+1 extra)



M3x15
Tapered Wood Screw
12 pcs. (+1 extra)



M6x10
Head Cap Bolt (short)
3 pcs. (+1 extra)



M4x25
Machine Screw
2 pcs.

Carton 20 05003 0991 is also needed for assembly.

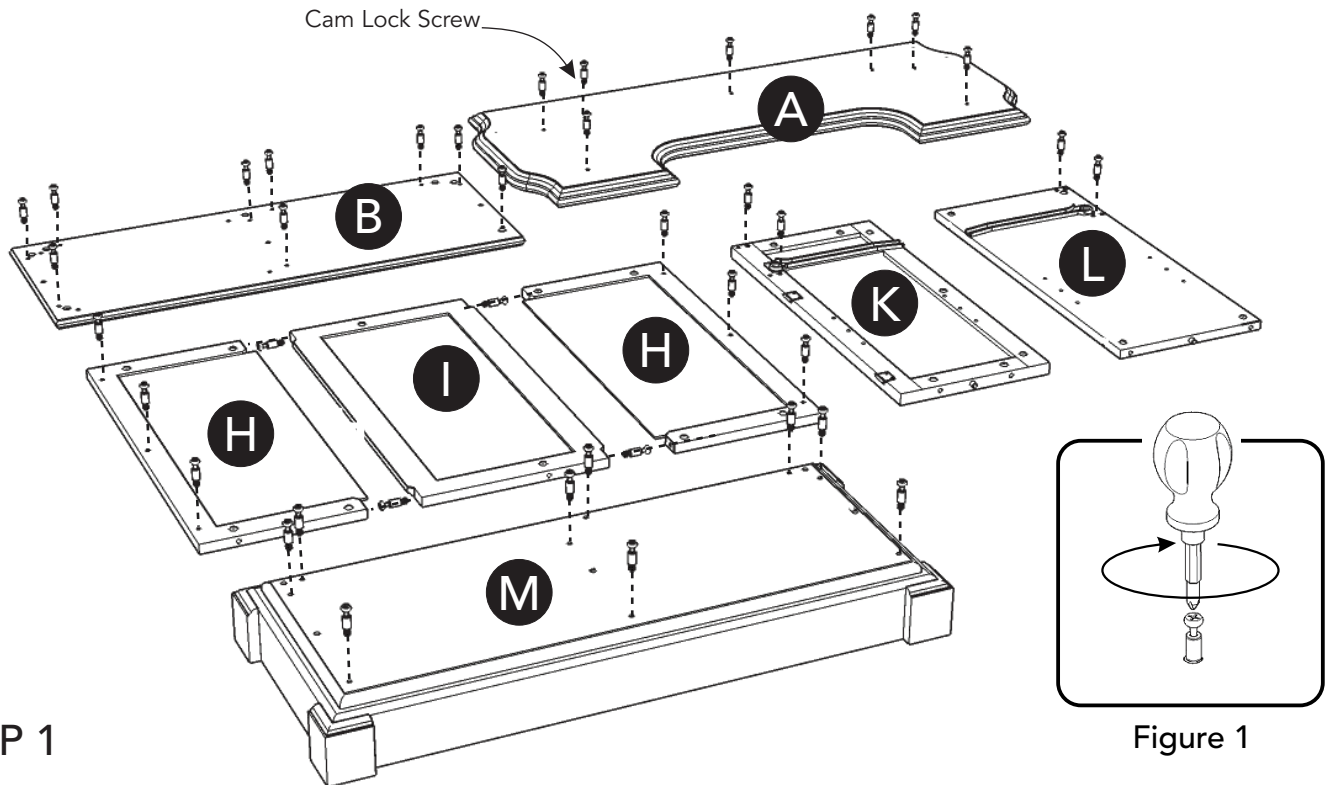
Tool(s) required for assembly: Phillips screwdriver, Level

Home Styles Customer Service: www.homestyles-furniture.com,
 servicedesk@homestyles-furniture.com, 888-680-7460, 877-831-0319

Assembly Instructions 2/7

IMPORTANT

- Use a soft cloth between these parts and the floor.
- Do not use power tools above 8 volts to assemble.
- Do not tighten all the bolts until each part is properly assembled.
- The unit must be level to work properly. Use the included adjustable levelers to level.
- Keep Hex Wrench as the bolts may need to be tightened in the future.



STEP 1

Insert Cam Lock Screws into pre-drilled holes of Top (A), Sub Top (B), Front Panels (H), (I), Side Panel (K), Middle Panel (L) and Base (M), then tighten. (See Figure 1)

Note: Insert Cam Lock Screws into Sub Top (B) in the holes exactly as shown below.
(See Figure 2)

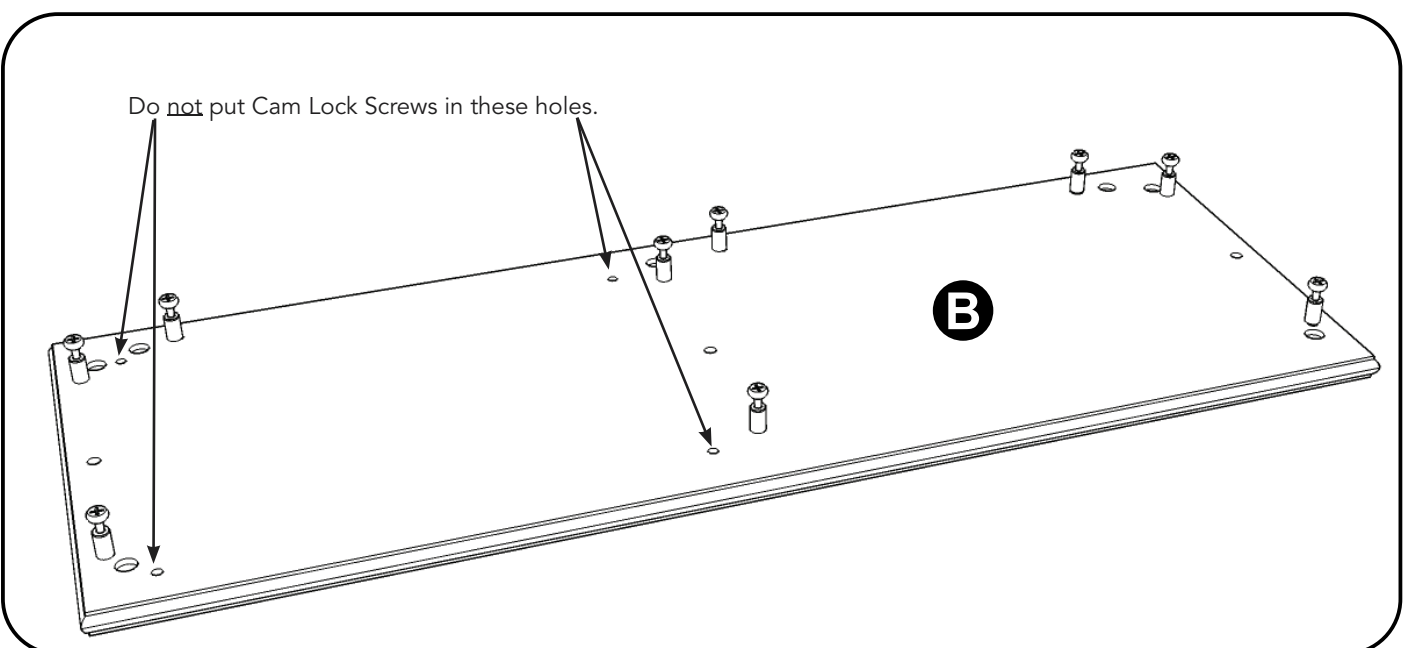
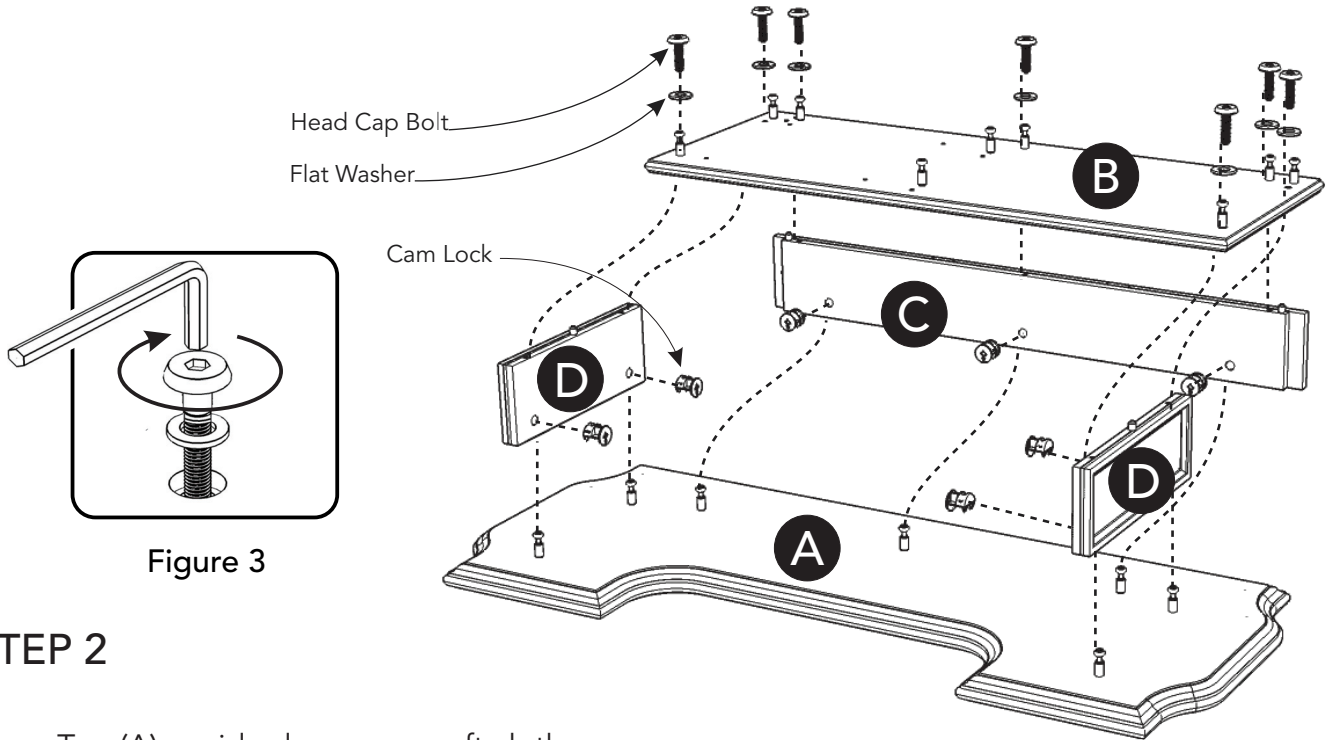


Figure 2

Assembly Instructions 3/7

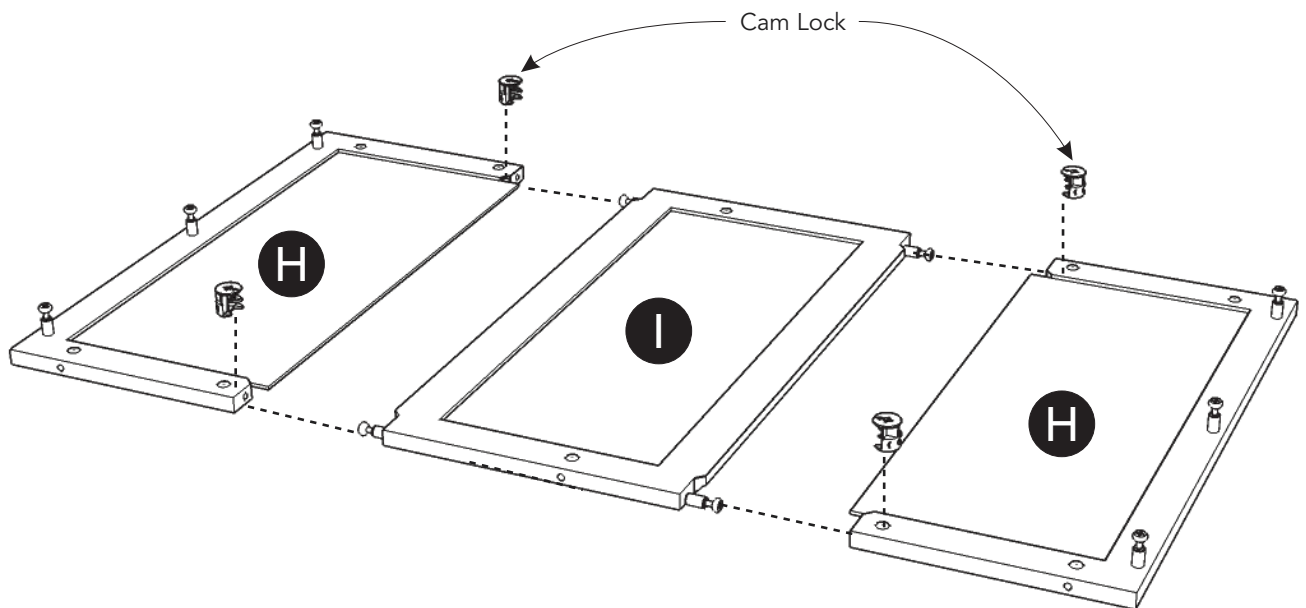


STEP 2

Place Top (A) upside down on a soft cloth.

Attach Side Panels (D) and Front Panel (C) to Top (A) with Cam Locks.

Attach Sub Top (B) to top unit with Head Cap Bolts and Flat Washers.
(See Figure 3)



STEP 3

Attach Front Panels (H) to Front Panel (I) with Cam Locks.

Assembly Instructions 4/7

STEP 4

Attach Magnet to Middle Panel (L) with Wood Screws for Magnet into pre-drilled holes. (See Figure 4)

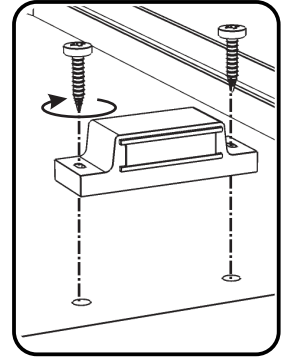
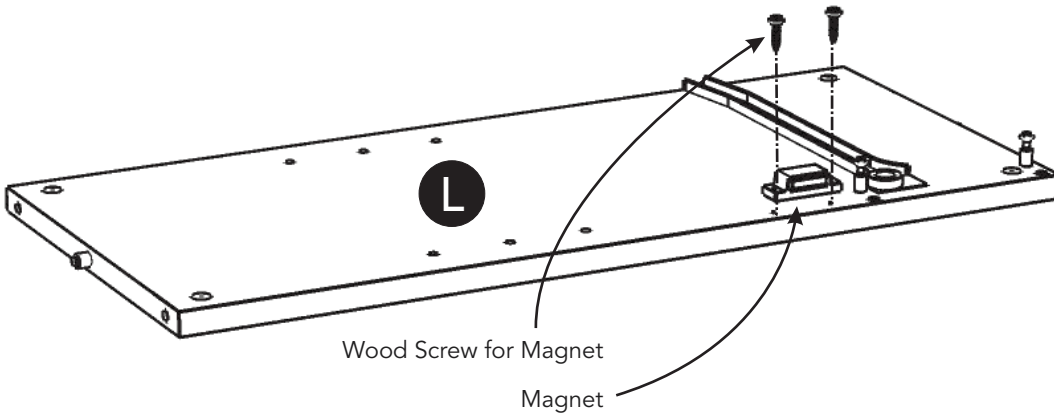


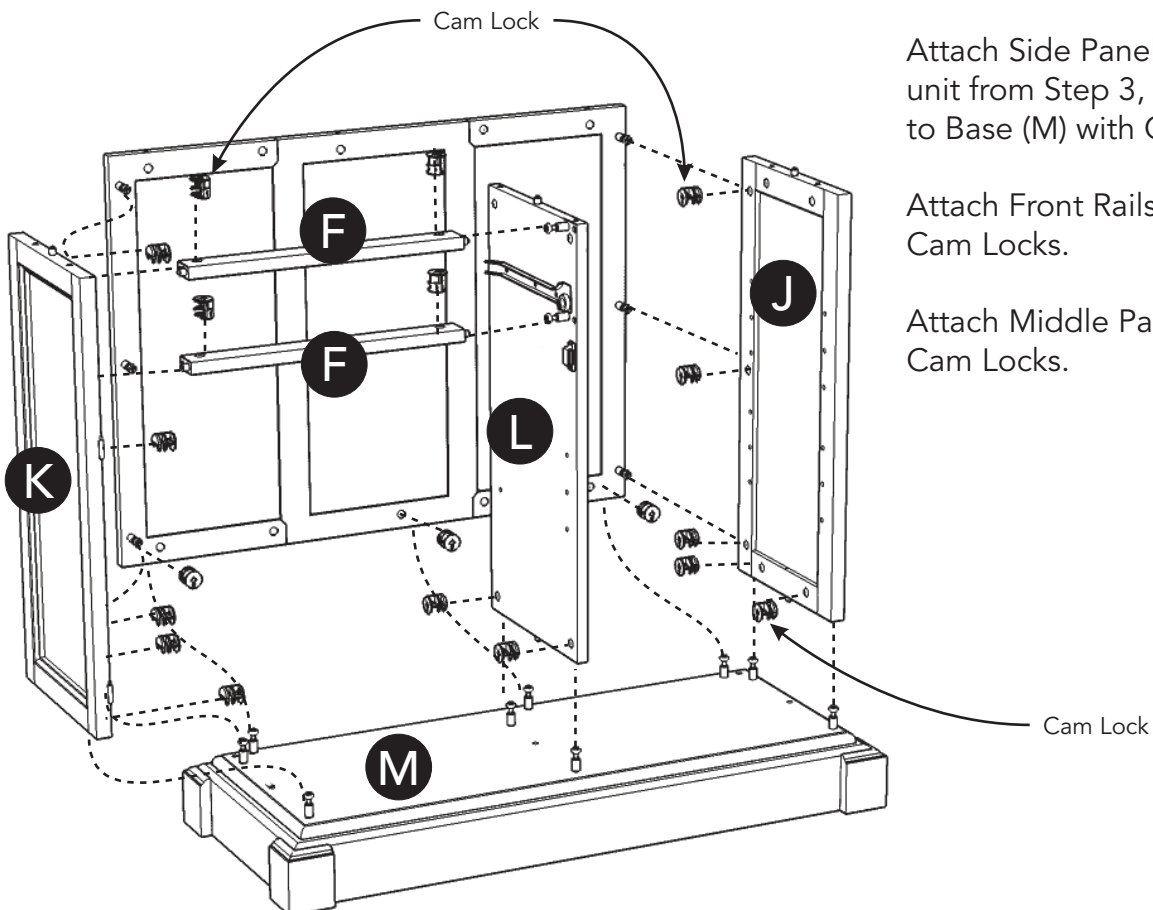
Figure 4

STEP 5

Attach Side Panels (J) and (K) to unit from Step 3, then attach unit to Base (M) with Cam Locks.

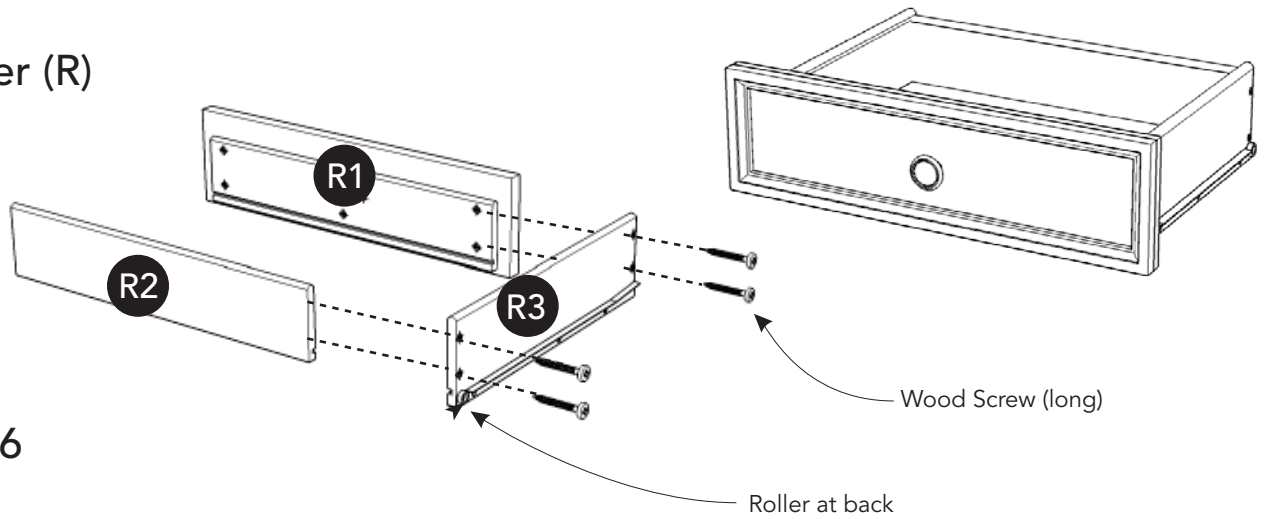
Attach Front Rails (F) to unit with Cam Locks.

Attach Middle Panel (L) to unit with Cam Locks.



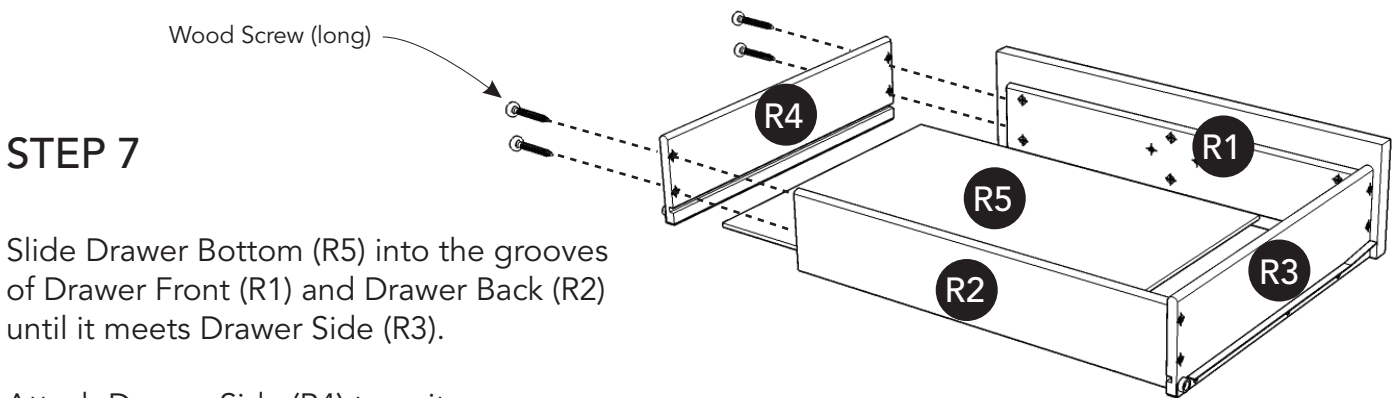
Assembly Instructions 5/7

Drawer (R)



STEP 6

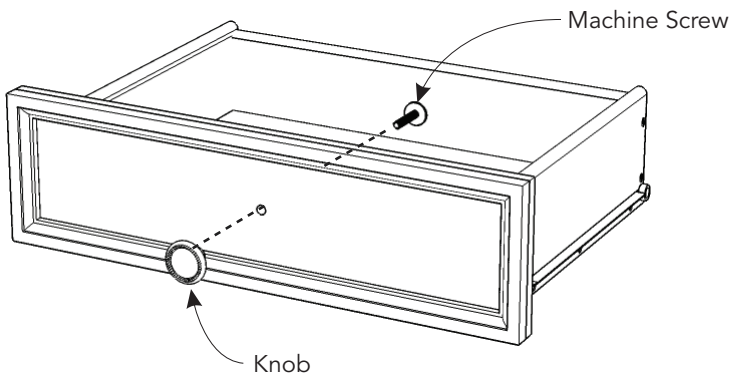
Attach Drawer Front (R1) and Drawer Back (R2) to Drawer Side (R3) with Wood Screws (long).



STEP 7

Slide Drawer Bottom (R5) into the grooves of Drawer Front (R1) and Drawer Back (R2) until it meets Drawer Side (R3).

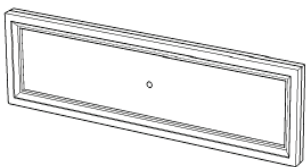
Attach Drawer Side (R4) to unit with Wood Screws (long).



STEP 8

Attach Knob with Machine Screw.

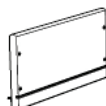
Part List



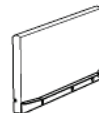
R1.
Drawer Front
1 pc.



R2.
Drawer Back
1 pc.



R3.
Drawer Side
1 pc.

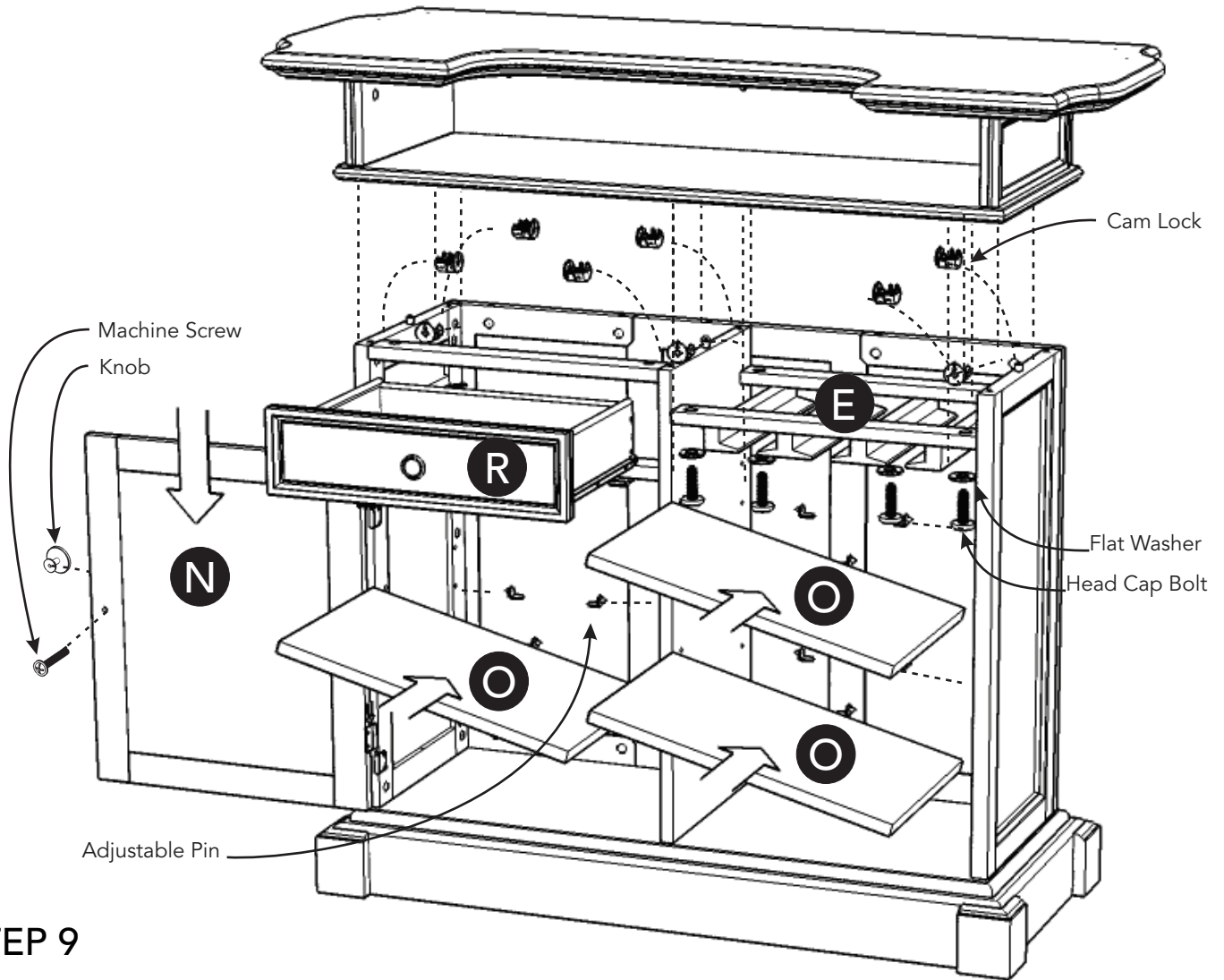


R4.
Drawer Side
1 pc.



R5.
Drawer Bottom
1 pc.

Assembly Instructions 6/7



STEP 9

Insert Adjustable Pins into middle panel and side panels at the desired level. (See Figure 5)

Slide Shelves (O) into position.

Attach Door (N) to unit by sliding door hinges into side panel hinges. (See Figure 6)

Attach Knob to Door (N) with Machine Screw. (See Figure 7)

Attach unit from Step 2 to unit with Cam Locks.

Attach Glass Holder (E) to unit with Head Cap Bolts and Flat Washers.

Slide Drawers (R) into position.

Level unit by adjusting the adjustable levelers on bottom of unit. (See Figure 8)

Note: Unit must be level to work properly.

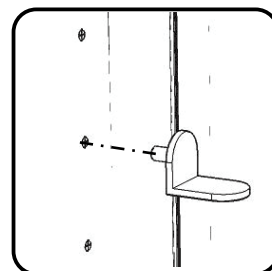


Figure 5

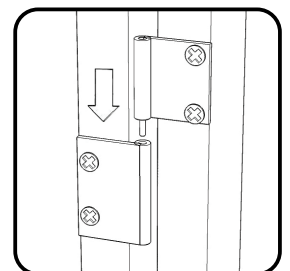


Figure 6

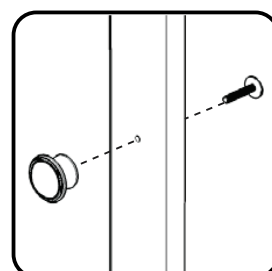


Figure 7

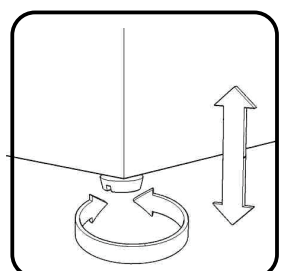
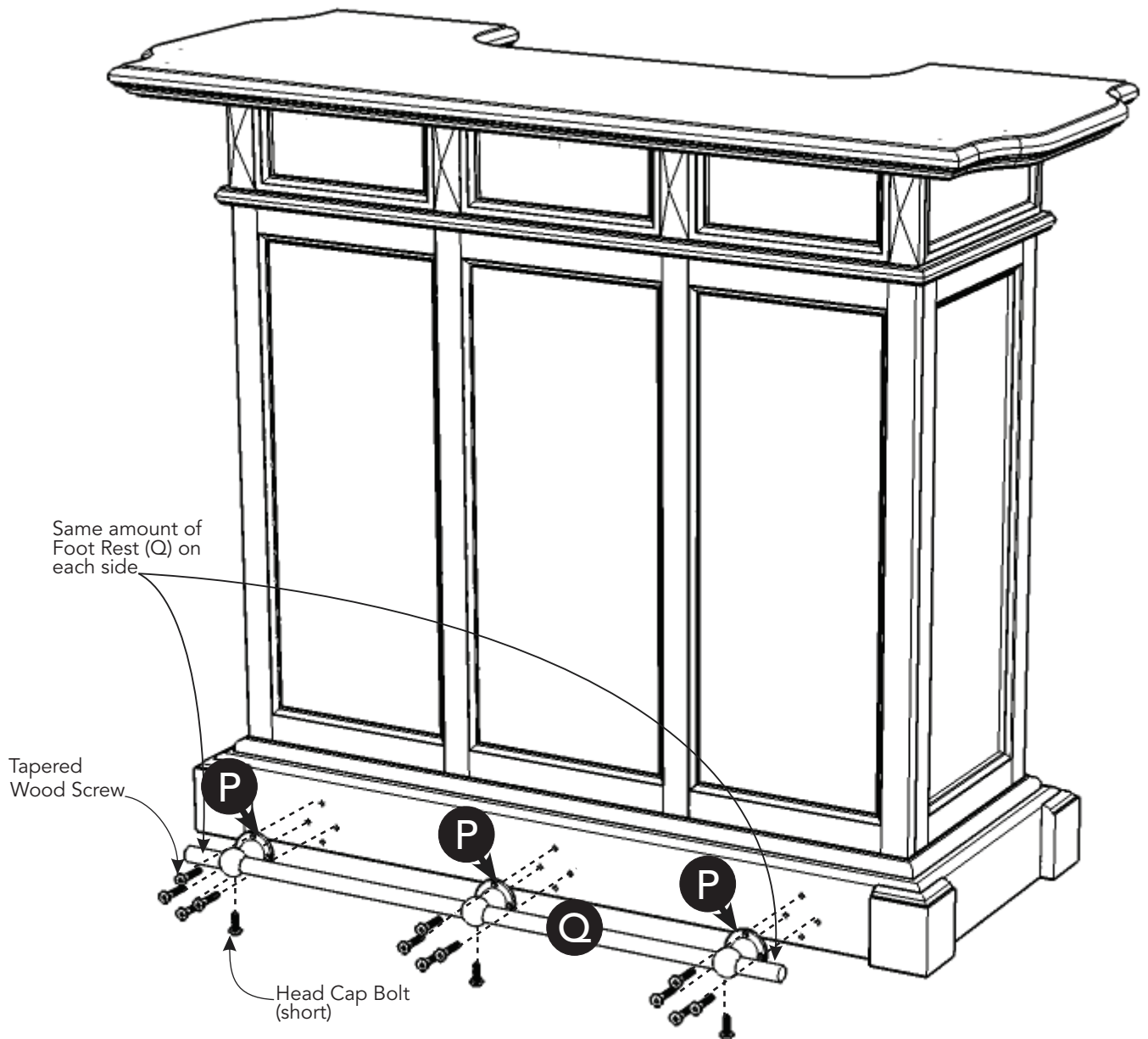


Figure 8



STEP 10

Slide Foot Rest (Q) into Foot Rest Supports (P).

Attach Foot Rest Supports (P) to unit with Tapered Wood Screws into pre-drilled holes.

Attach Foot Rest (Q) to Foot Rest Supports (P) with Head Cap Bolts (short), leaving same amount of Foot Rest (Q) protruding on outside of outer Foot Rest Supports (P). (See Figure 9)

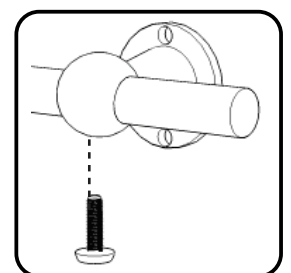


Figure 9

CARE INSTRUCTIONS

NEVER

allow liquids to remain on furniture.
Absorption causes parts to warp
and split and finishes to delaminate.

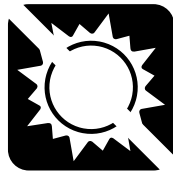
NEVER

use glass cleaners on
finished furniture. Ammonia
chemically attacks the finish.



Do not use power tools
above 8 volts to assemble.

**PREVENT
CRACKING**



Do not place
in direct sunlight.

**PREVENT
FADING**



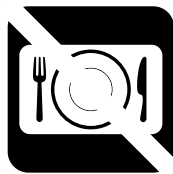
Do not write
directly on surface.

**PREVENT
MARKING**



Do not place hot
objects on surface.

**PREVENT
FINISH DAMAGE**



Do not use rubber
based placemats.

**PREVENT
DISCOLORING**



Do not use commercial
waxes and polishes.

**PREVENT
YELLOWING**

CLEAN

with a soft cloth moistened
in lukewarm soap and water.
Buff with a dry clean cloth.



Home Styles will provide replacements free of charge for missing or damaged hardware or parts within 30 days of purchase. Digital images of the defective parts may be required. If the product was not purchased from an authorized retail affiliate, Home Styles is under no obligation to provide replacement parts. Parts are not available for fully assembled items nor are parts available for sale. Replacements for missing or damaged hardware or parts may be requested at:

www.homestyles-furniture.com/customer-service/replacement-parts

Home Styles Customer Service: www.homestyles-furniture.com,
servicedesk@homestyles-furniture.com, 888-680-7460, 877-831-0319