

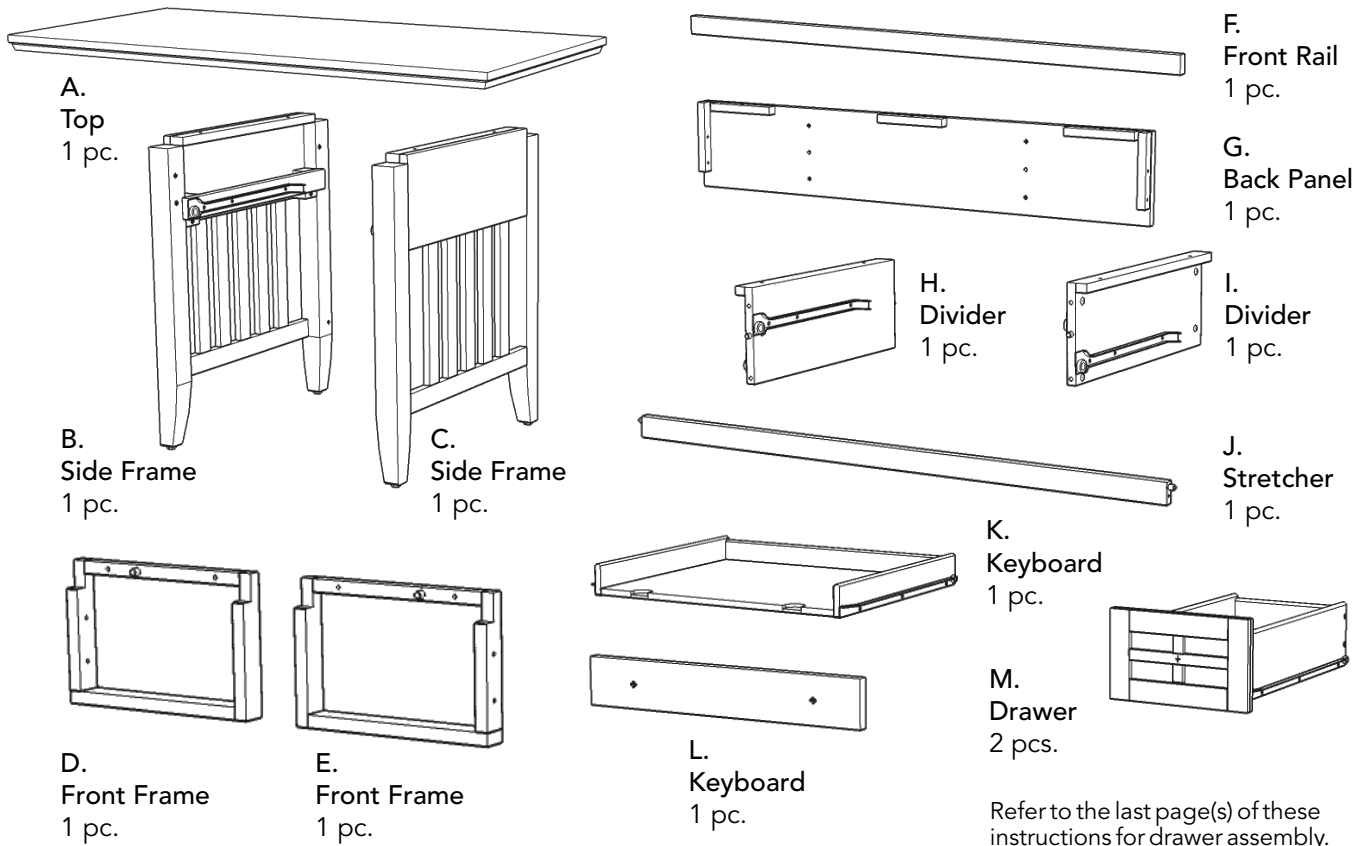
IMPORTANT

Carefully remove all the parts from the carton and place them individually on a soft cloth to prevent scratches or other damage.

Carefully and strictly follow these assembly instructions to ensure a completed product as designed.

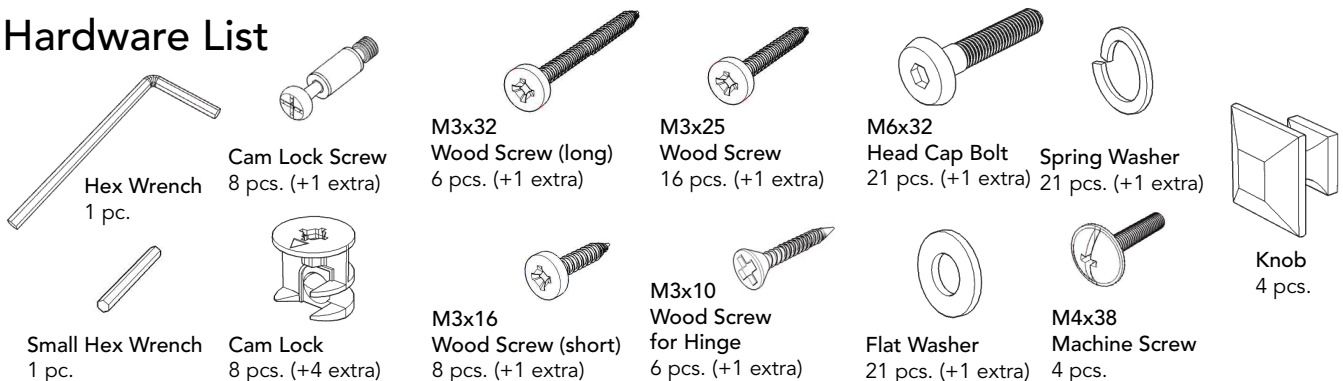
Do not use power tools above 8 volts to assemble.

Part List



Refer to the last page(s) of these instructions for drawer assembly.

Hardware List



Tool(s) required for assembly: Phillips screwdriver, Level

Assembly Instructions 2/5

IMPORTANT

- Use a soft cloth between these parts and the floor.
- Do not use power tools above 8 volts to assemble.
- The unit must be level to work properly. Use the included adjustable levelers to level.
- Keep Hex Wrench in a safe place as the bolts may need to be tightened up in the future.

STEP 1

Insert Cam Lock Screws into pre-drilled holes of Front Frames (D), (E) and Back Panel (G). (See Figure 1)

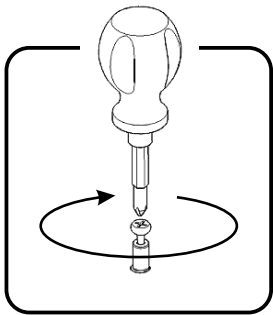
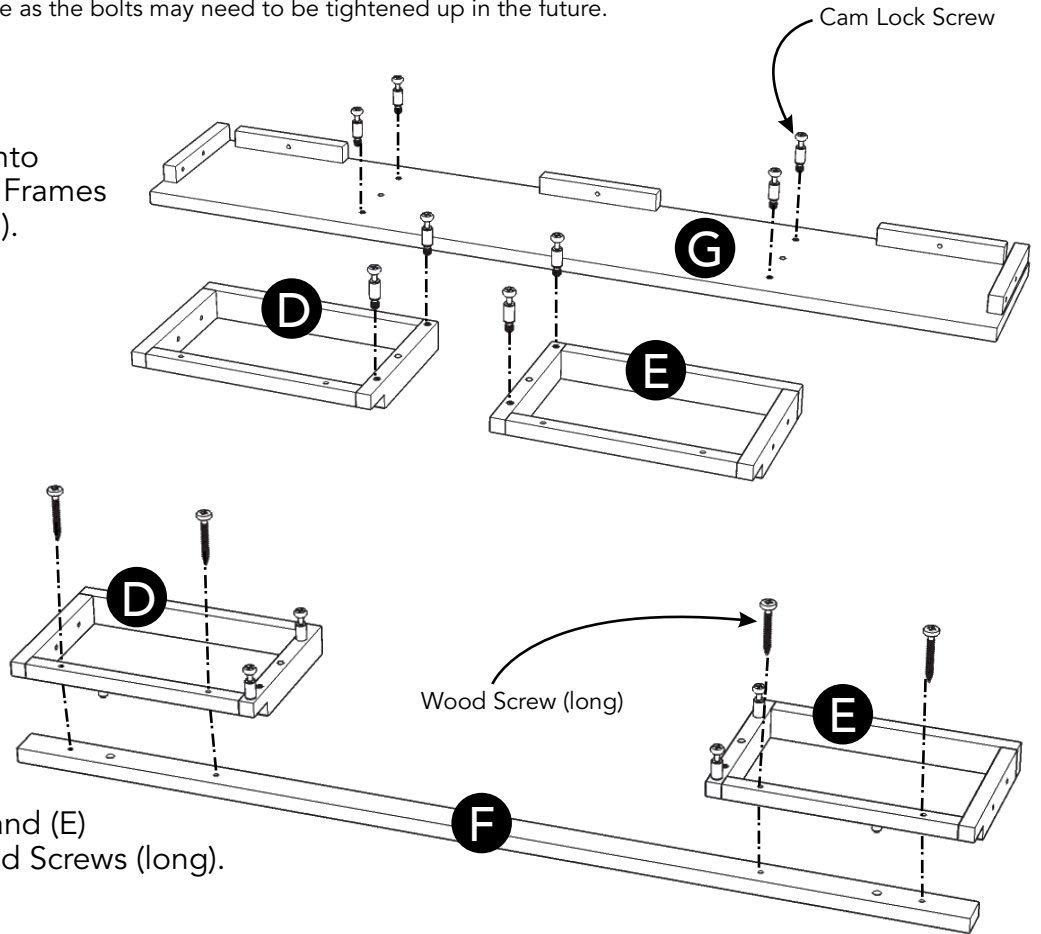


Figure 1



STEP 2

Attach Front Frames (D) and (E) to Front Rail (F) with Wood Screws (long). (See Figure 2)

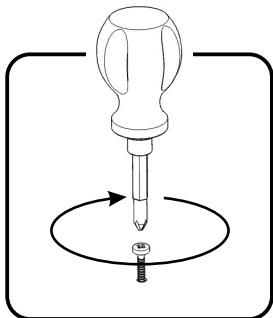
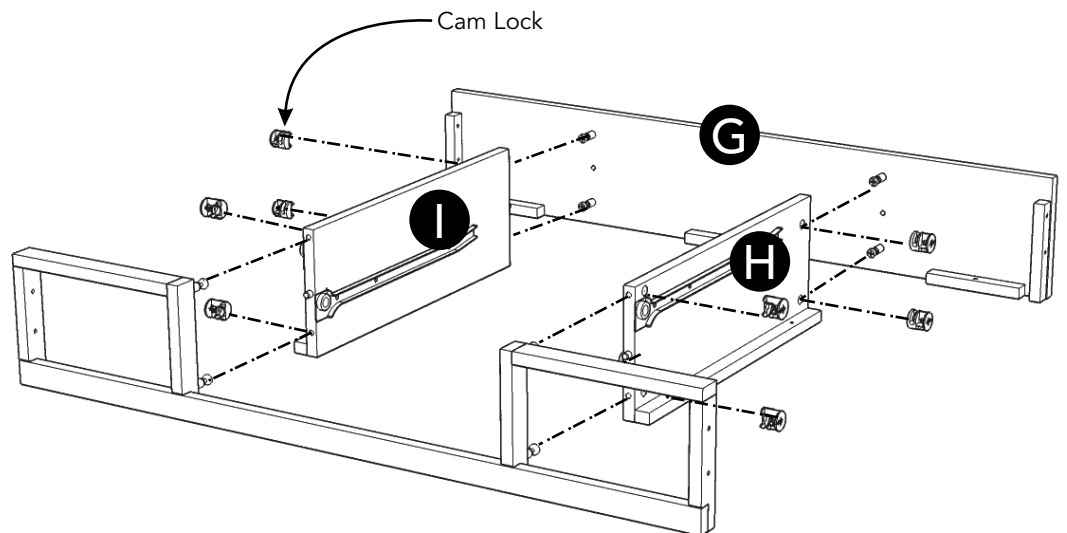


Figure 2



STEP 3

Attach Dividers (H) and (I) to unit with Cam Locks. (See Figure 3)

Attach Back Panel (G) to unit with Cam Locks.

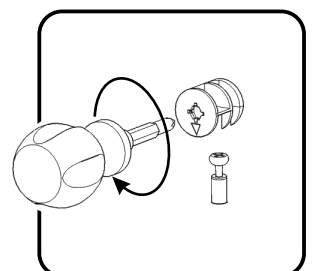
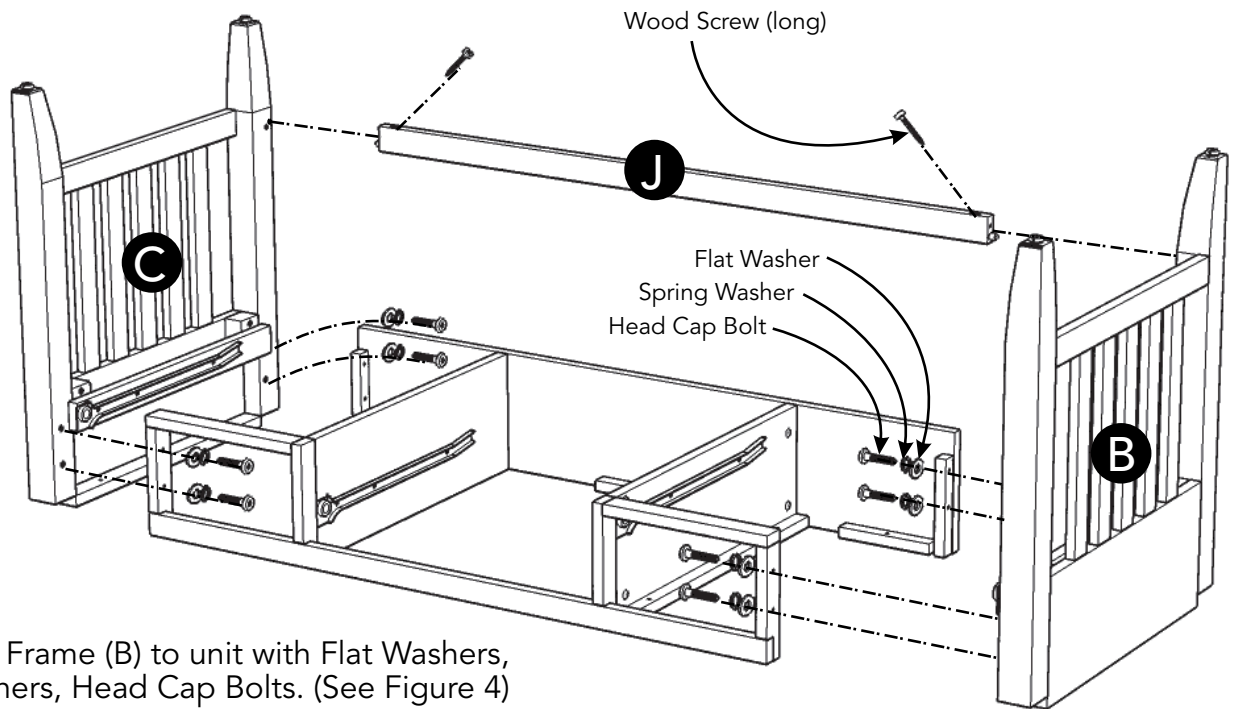


Figure 3

Assembly Instructions 3/5



STEP 4

Attach Side Frame (B) to unit with Flat Washers, Spring Washers, Head Cap Bolts. (See Figure 4)

Attach Stretcher (J) to unit with Wood Screw (long). (See Figure 5)

Attach Side Frame (C) to unit with Flat Washers, Spring Washers, Head Cap Bolts and Wood Screw (long).

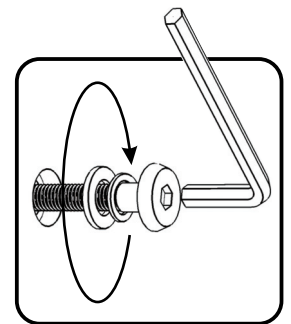


Figure 4

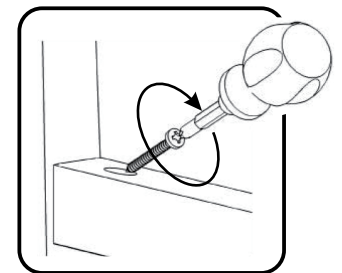
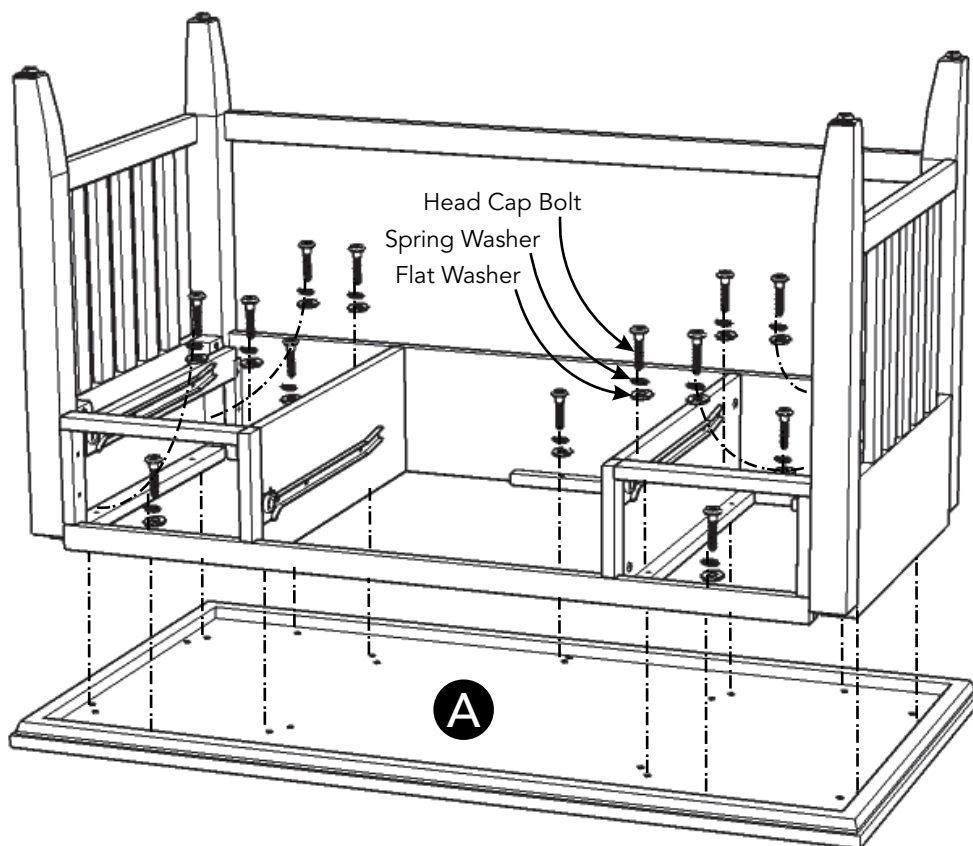


Figure 5



STEP 5

Place Top (A) upside down on a soft cloth.

Attach unit to Top (A) with Flat Washers, Spring Washers and Head Cap Bolts.

Assembly Instructions 4/5

STEP 6

Attach Keyboard (L) to Keyboard (K) with Wood Screws for Hinge.

Attach Knobs to Keyboard with Machine Screws.
(See Figure 6)

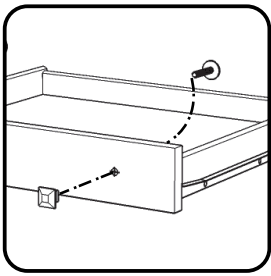
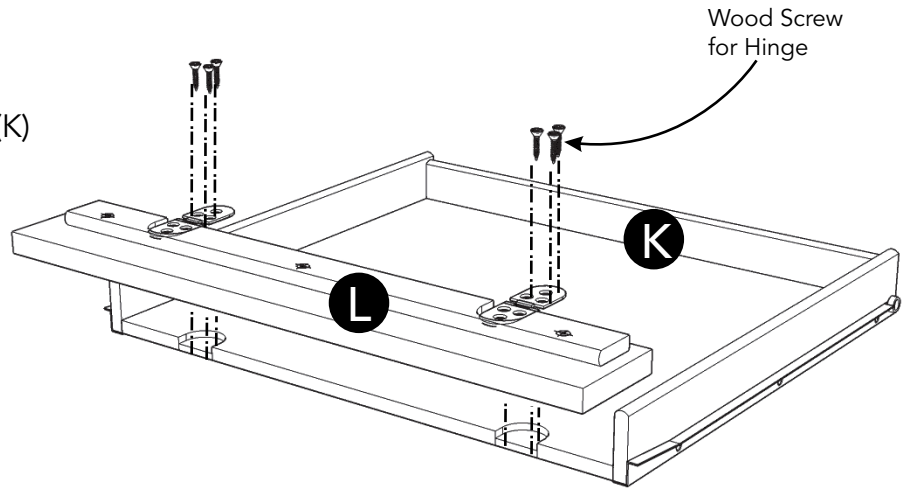
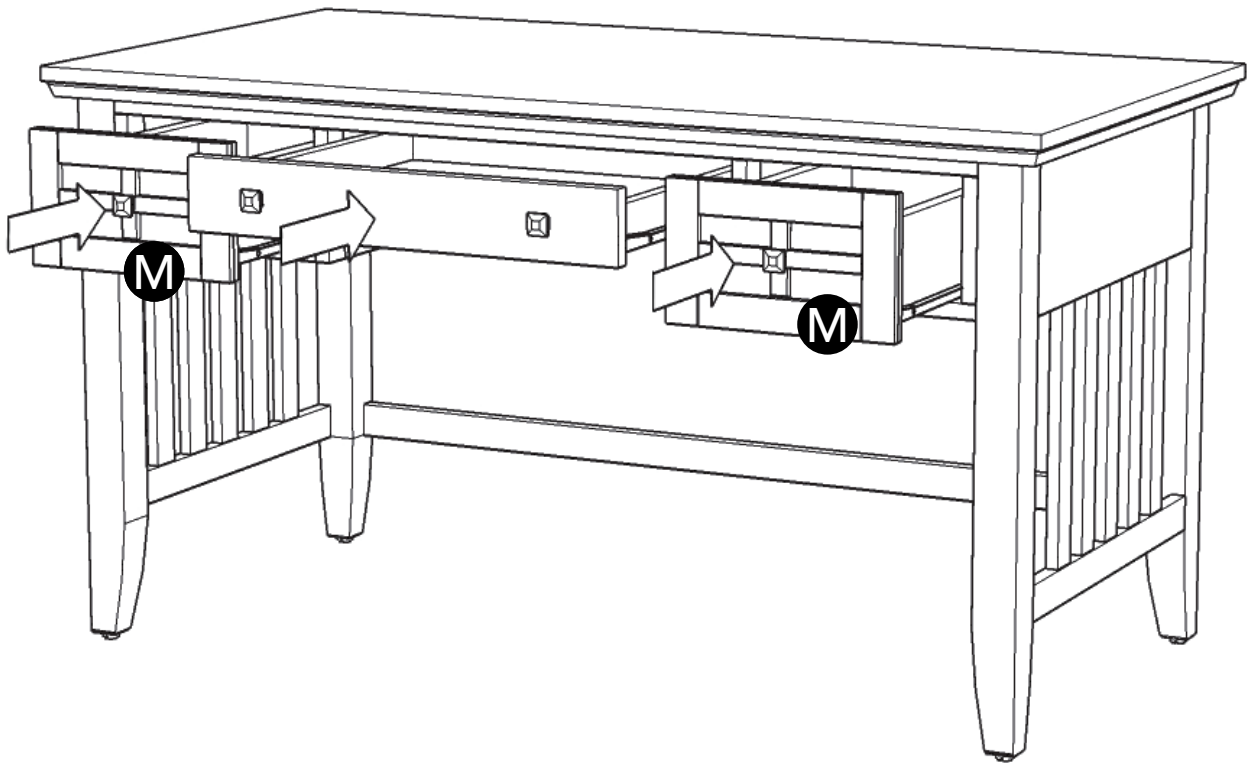


Figure 6



STEP 7

Turn unit over to its' upright position.

Slide Keyboard and Drawers (M) into place.

Level unit by adjusting the adjustable levelers on the bottom of legs.
(See Figure 7)

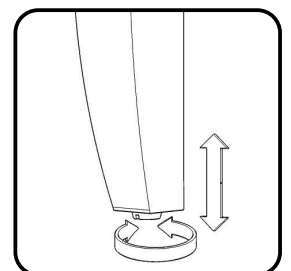
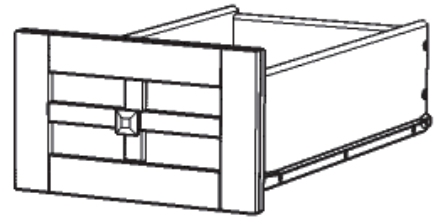


Figure 7

Assembly Instructions 5/5

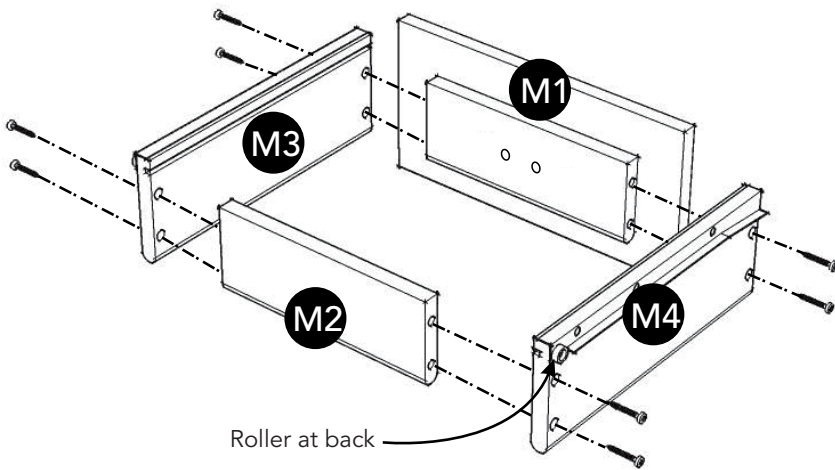
Drawer (M)



STEP 1

Attach Drawer Front (M1) and Drawer Back (M2) to Drawer Side (M3) with Wood Screws.

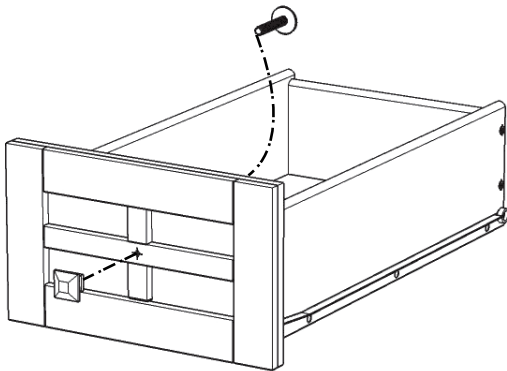
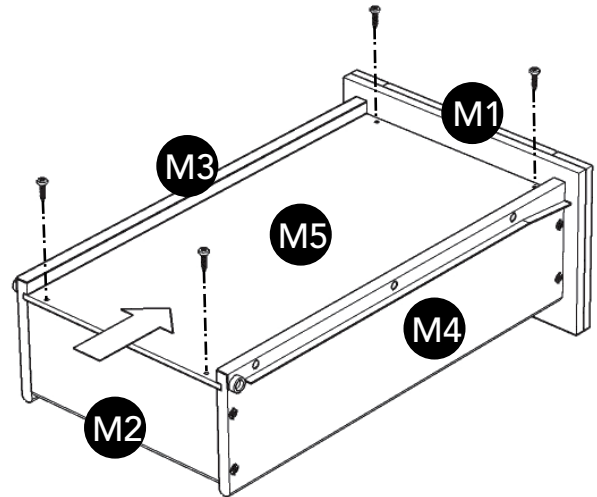
Attach Drawer Side (M4) to unit with Wood Screws.



STEP 2

Slide Drawer Bottom (M5) into the grooves of Drawer Sides (M3) and (M4) until it meets Drawer Front (M1).

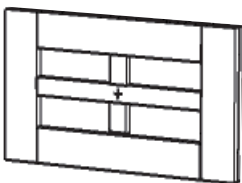
Attach Drawer Bottom (M5) to unit with Wood Screws (short).



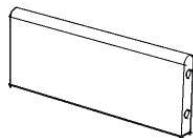
STEP 3

Attach Knob with Machine Screw.

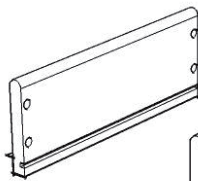
Part List



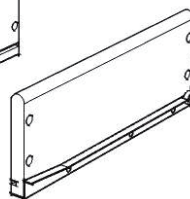
M1.
Drawer Front
2 pcs.



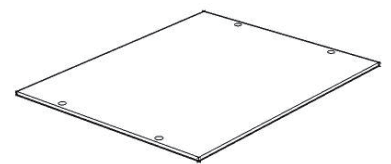
M2.
Drawer Back
2 pcs.



M3.
Drawer Side
2 pcs.



M4.
Drawer Side
2 pcs.



M5.
Drawer Bottom
2 pcs.

CARE INSTRUCTIONS

NEVER

allow liquids to remain on furniture.
Absorption causes parts to warp
and split and finishes to delaminate.

NEVER

use glass cleaners on
finished furniture. Ammonia
chemically attacks the finish.



Do not use power tools
above 8 volts to assemble.

**PREVENT
CRACKING**



Do not place
in direct sunlight.

**PREVENT
FADING**



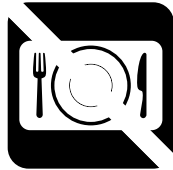
Do not write
directly on surface.

**PREVENT
MARKING**



Do not place hot
objects on surface.

**PREVENT
FINISH DAMAGE**



Do not use rubber
based placemats.

**PREVENT
DISCOLORING**



Do not use commercial
waxes and polishes.

**PREVENT
YELLOWING**

CLEAN

with a soft cloth moistened
in lukewarm soap and water.
Buff with a dry clean cloth.



Home Styles will provide replacements free of charge for missing or damaged hardware or parts within 30 days of purchase. Digital images of the defective parts may be required. If the product was not purchased from an authorized retail affiliate, Home Styles is under no obligation to provide replacement parts. Parts are not available for fully assembled items nor are parts available for sale. Replacements for missing or damaged hardware or parts may be requested at:

www.homestyles-furniture.com/customer-service/replacement-parts

Home Styles Customer Service: www.homestyles-furniture.com,
servicedesk@homestyles-furniture.com, 888-680-7460, 877-831-0319