



IMPORTANT

Carefully remove all the parts from the carton and place them individually on a soft cloth to prevent scratches or other damage.

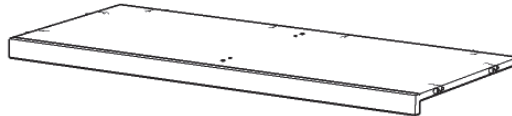
Carefully and strictly follow these assembly instructions to ensure a completed product as designed.

Do not use power tools above 8 volts to assemble.

Part List



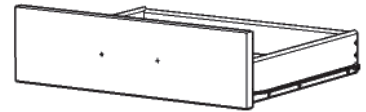
C.
Middle Panel
1 pc.



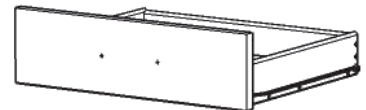
G.
Base
1 pc.



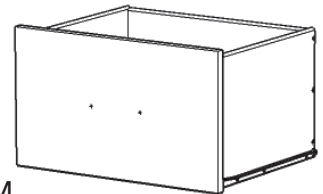
H.
Plinth
1 pc.



K.
Drawer
1 pc.



L.
Drawer
1 pc.



M.
Drawer
2 pcs.

Refer to later page(s) of these instructions for drawers assembly.

Hardware List



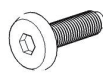
Hex Wrench
1 pc.



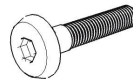
Cam Lock
25 pcs. (+4 extra)



Cam Lock Screw
25 pcs. (+2 extra)



M6x30
Head Cap Bolt
2 pcs. (+1 extra)



M6x45
Head Cap Bolt (long)
4 pcs. (+1 extra)



M4x25
Wood Screw
4 pcs. (+1 extra)



M4x15
Wood Screw (short)
24 pcs. (+1 extra)



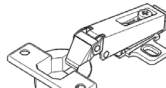
Small
Hex Wrench
1 pc.



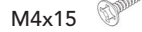
M4x25
Wood Screw (long)
32 pcs. (+1 extra)



Adjustable Pin
8 pcs. (+1 extra)



Hinge
2 pcs.



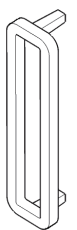
M4x15
Wood Screw
for Hinge
12 pcs. (+1 extra)



M4x25
Machine Screw
2 pcs.



M4x35
Machine Screw (long)
8 pcs.



Handle
5 pcs.

Cartons 20 05506 0941 and 0942 are also needed for assembly.

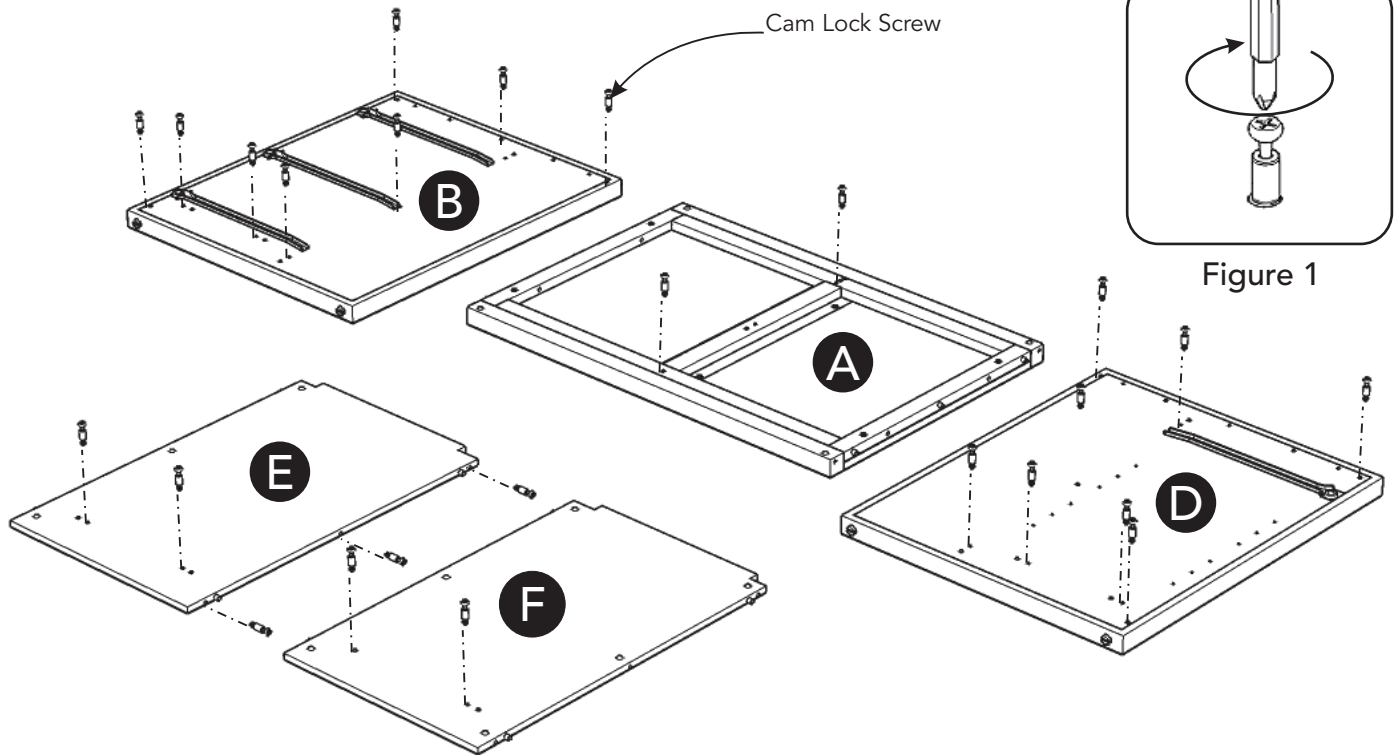
Tool(s) required for assembly: Phillips screwdriver, Level

Home Styles Customer Service: www.homestyles-furniture.com,
 servicedesk@homestyles-furniture.com, 888-680-7460, 877-831-0319

Assembly Instructions 2/10

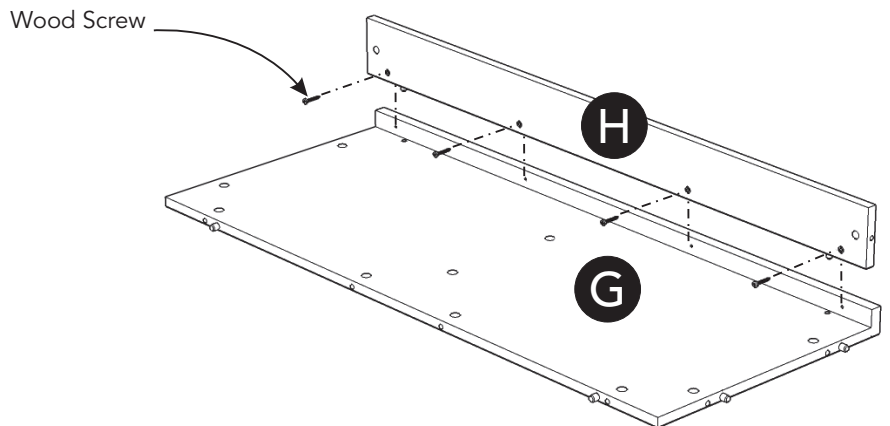
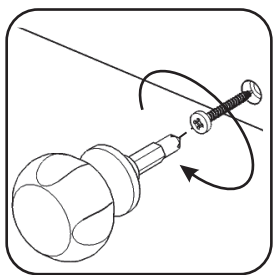
IMPORTANT

- Use a soft cloth between these parts and the floor.
- Do not use power tools above 8 volts to assemble.
- Do not tighten all the screws until each part is properly assembled.
- The unit must be level to work properly. Use the included adjustable levelers to level.
- Keep Hex Wrench as the bolts may need to be tightened in the future.



STEP 1

Insert Cam Lock Screws into pre-drilled holes in Top (A), Side Panels (B), (D) and Back Panels (E), (F), then tighten. (See Figure 1)



STEP 2

Attach Plinth (H) to Base (G) with Wood Screws. (See Figure 2)

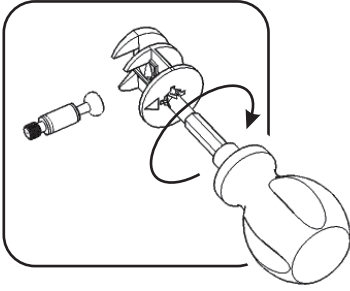
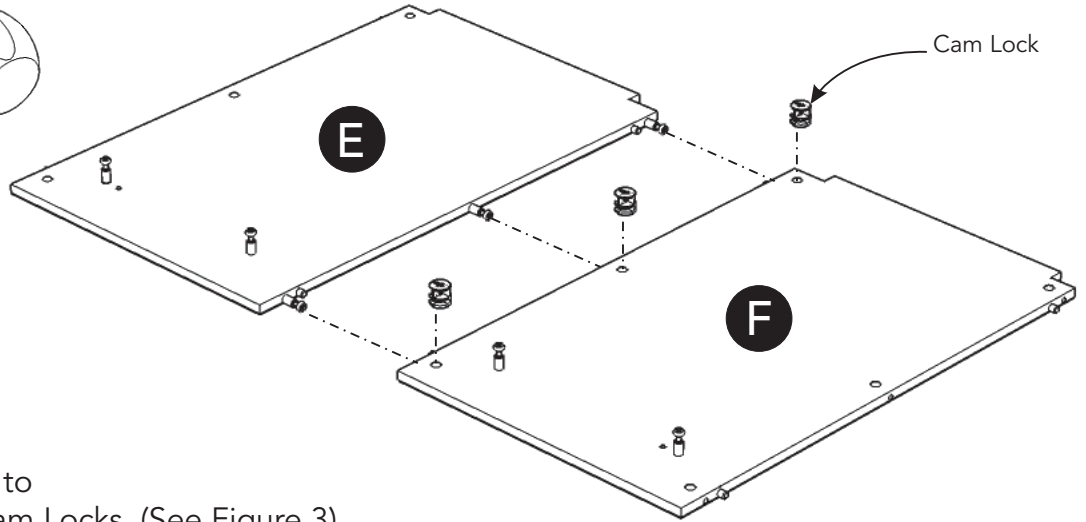
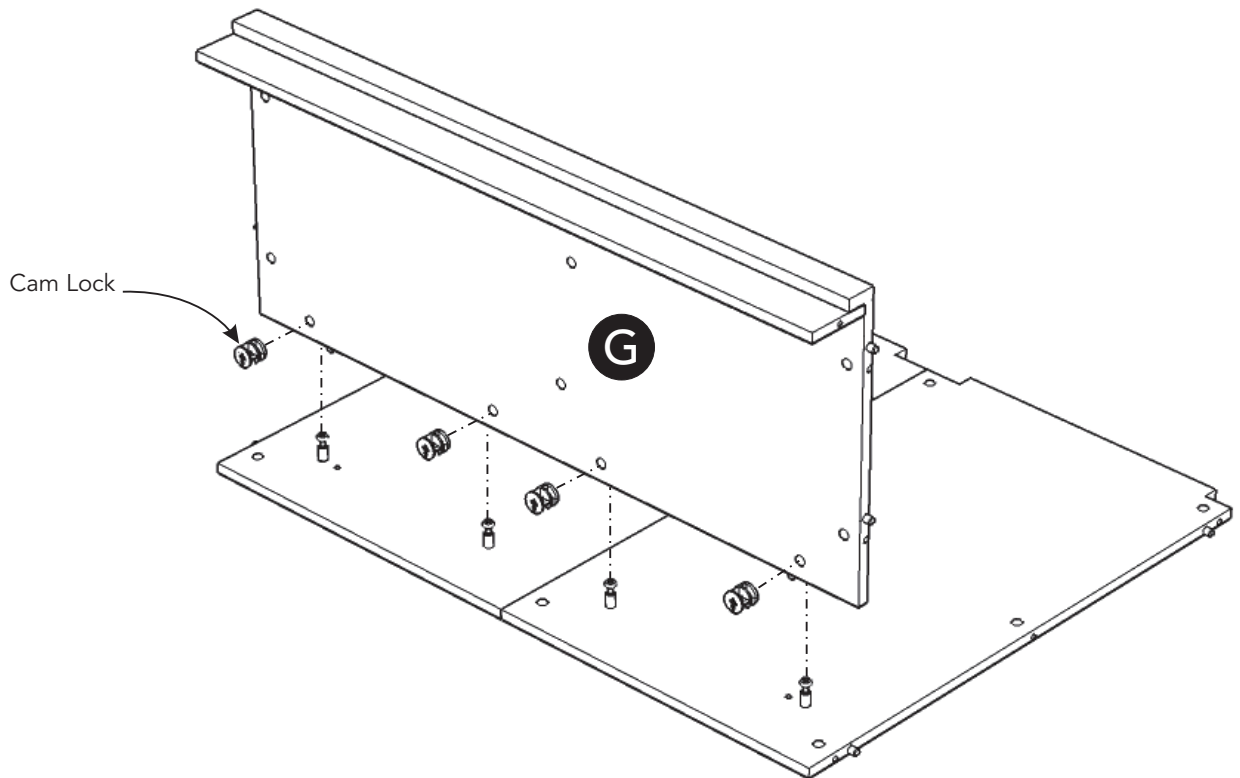


Figure 3



STEP 3

Attach Back Panel (E) to Back Panel (F) with Cam Locks. (See Figure 3)



STEP 4

Attach Base (G) to unit with Cam Locks.

STEP 5

Place Top (A) upside down on a soft cloth.

Attach Middle Panel (C) to Top (A) with Cam Locks.

Attach unit from Step 4 to unit with Head Cap Bolts. (See Figure 4)

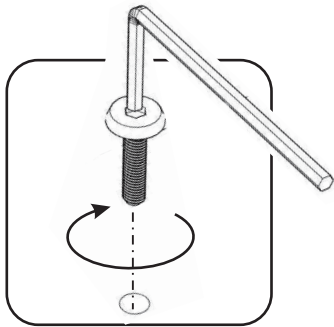
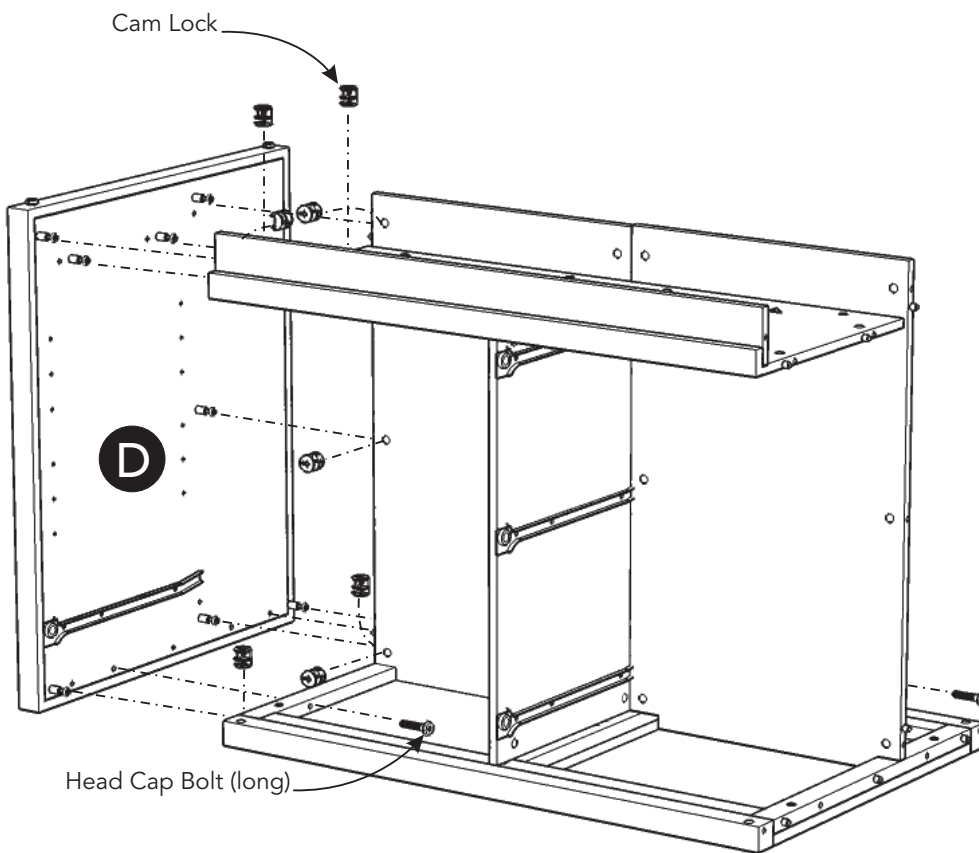
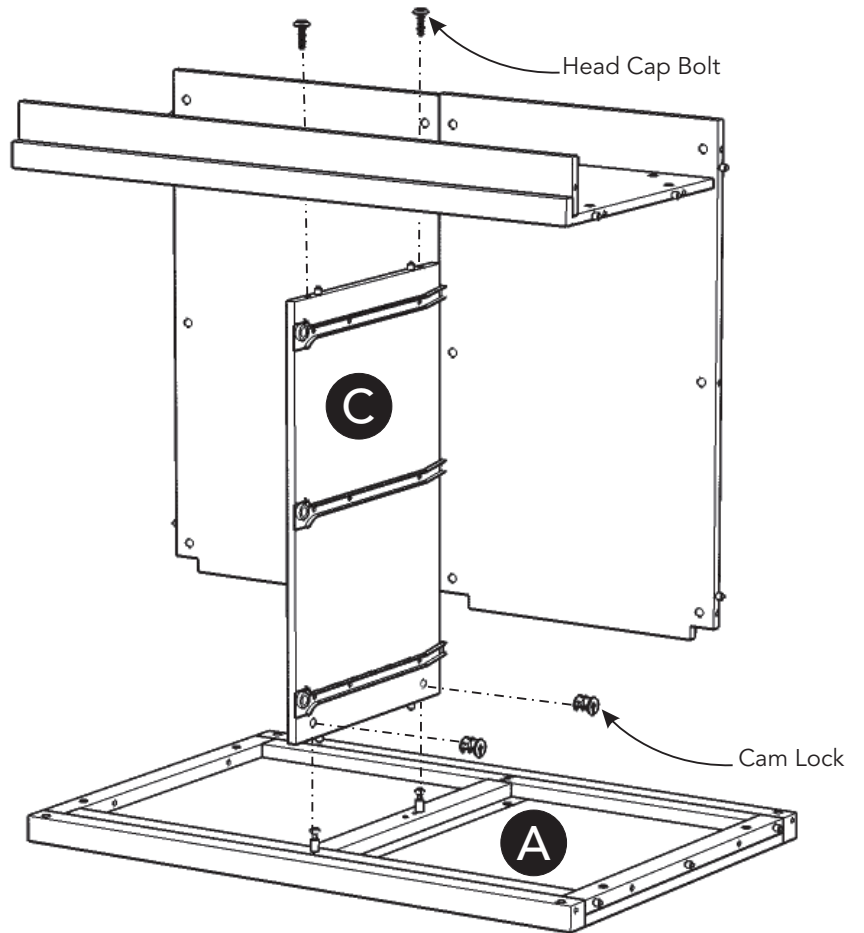


Figure 4

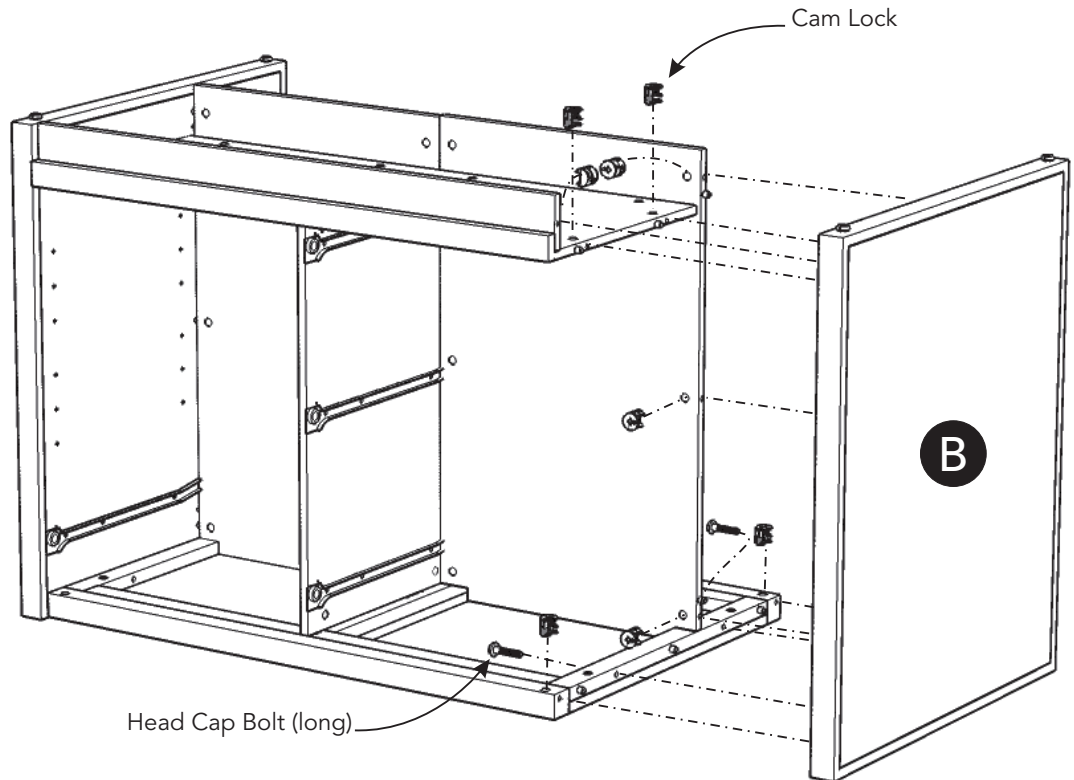


STEP 6

Attach Side Panel (D) to unit with Head Cap Bolts (long).

Attach Side Panel (D) to unit with Cam Locks.

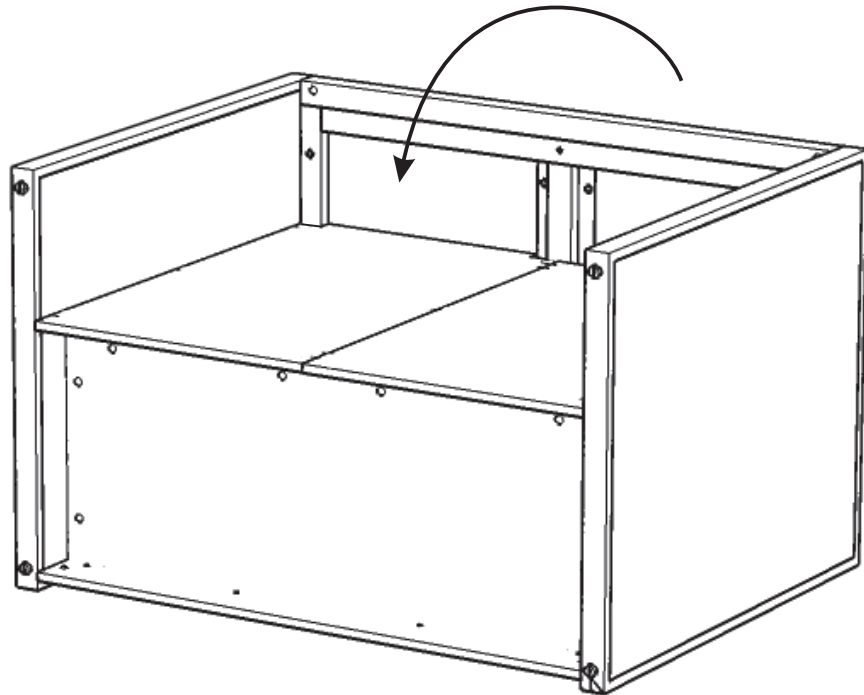
Assembly Instructions 5/10



STEP 7

Attach Side Panel (B) to unit with Head Cap Bolts (long).

Attach Side Panel (B) to unit with Cam Locks.



STEP 8

Turn unit to its front side onto a soft cloth.

Assembly Instructions 6/10

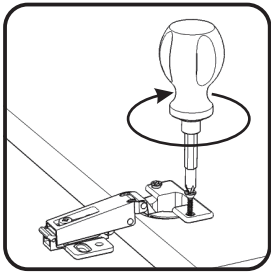
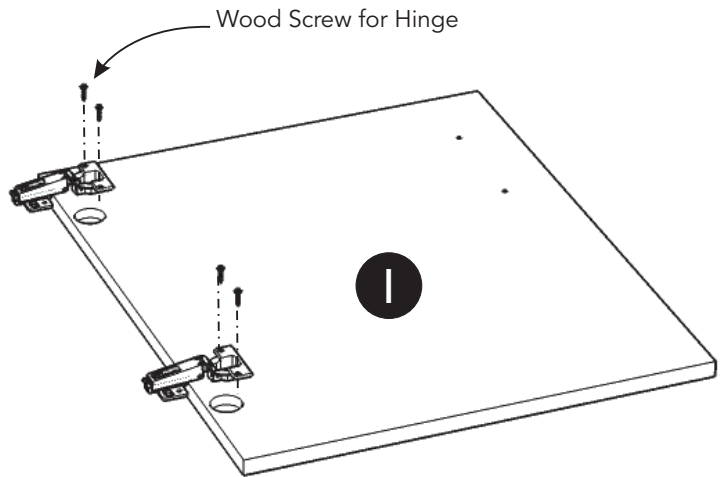
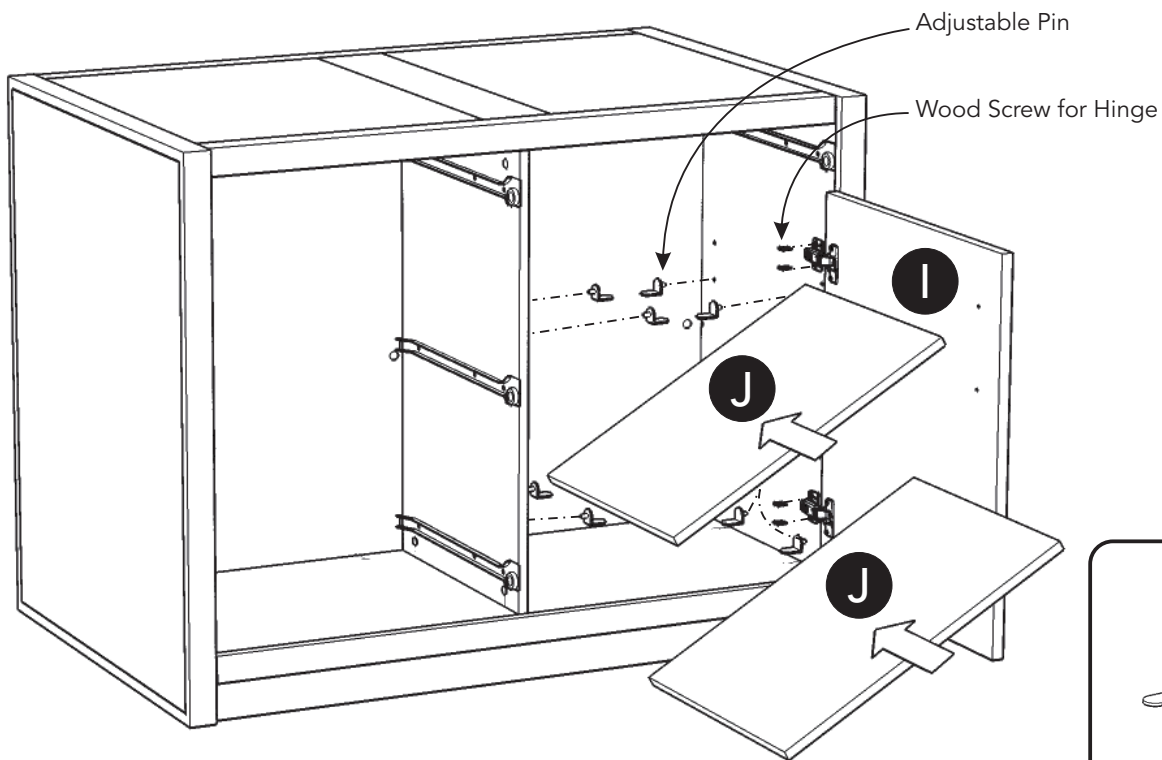


Figure 5



STEP 9

Attach Hinges to Door (I) with Wood Screws for Hinge into pre-drilled holes, then tighten. (See Figure 5)



STEP 10

Turn unit from Step 8 to its upright position.

Insert Adjustable Pins into side panel and middle panel at desired level. (See Figure 6)

Place Shelves (J) into position.

Attach Door (I) to unit with Wood Screws for Hinge into pre-drilled holes, then tighten. (See Figure 7)

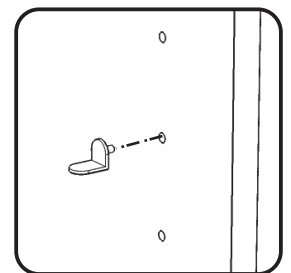


Figure 6

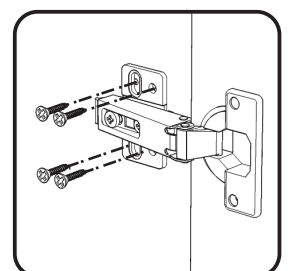
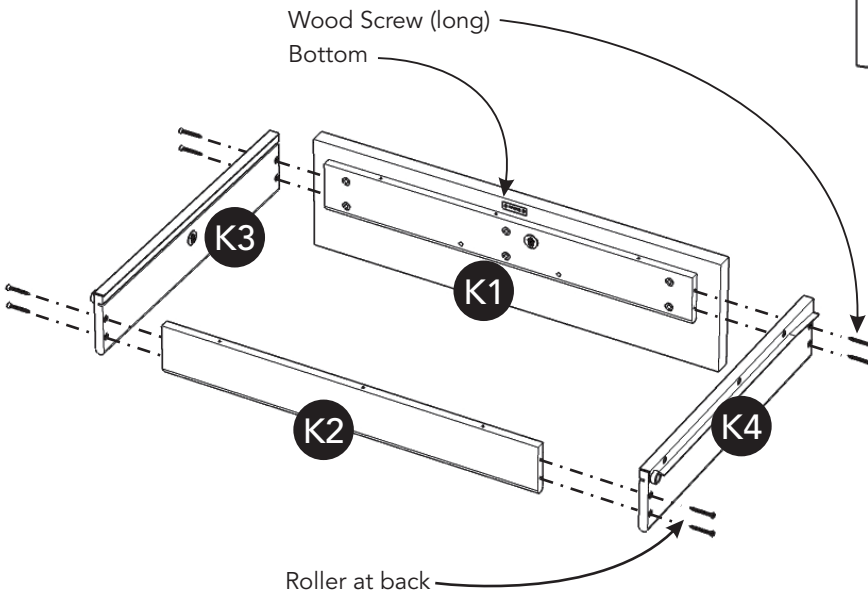


Figure 7

Assembly Instructions 7/10

Drawer (K)



STEP 11

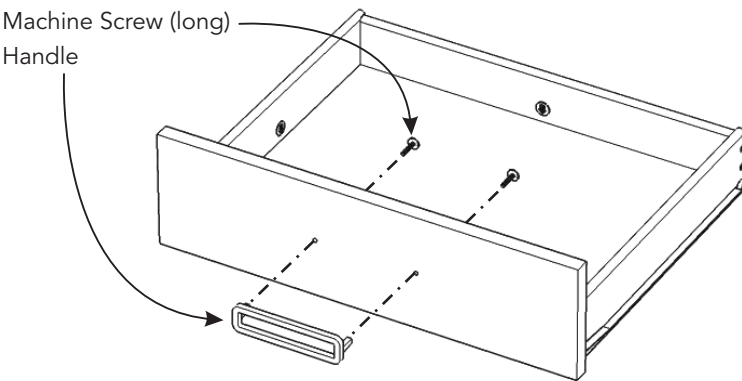
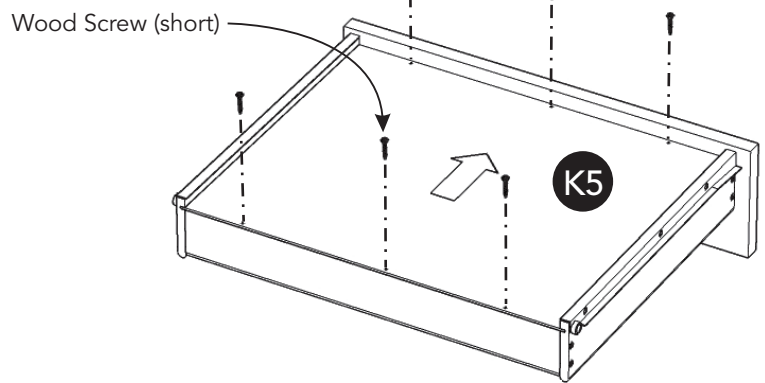
Attach Drawer Front (K1) and Drawer Back (K2) to Drawer Side (K3) with Wood Screws (long).

Attach Drawer Side (K4) to unit with Wood Screws (long).

STEP 12

Slide Drawer Bottom (K5) into groove.

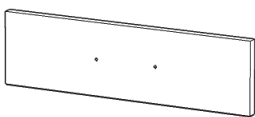
Attach Drawer Bottom (K5) to unit with Wood Screws (short).



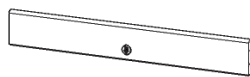
STEP 13

Attach Handle with Machine Screws (long).

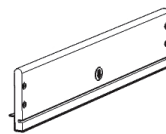
Part List



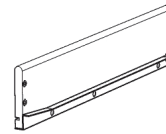
K1.
Drawer Front
1 pc.



K2.
Drawer Back
1 pc.



K3.
Drawer Side
1 pc.



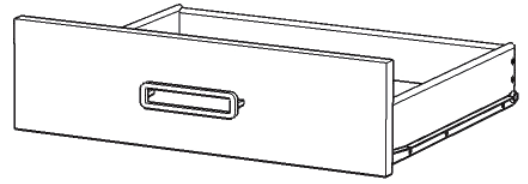
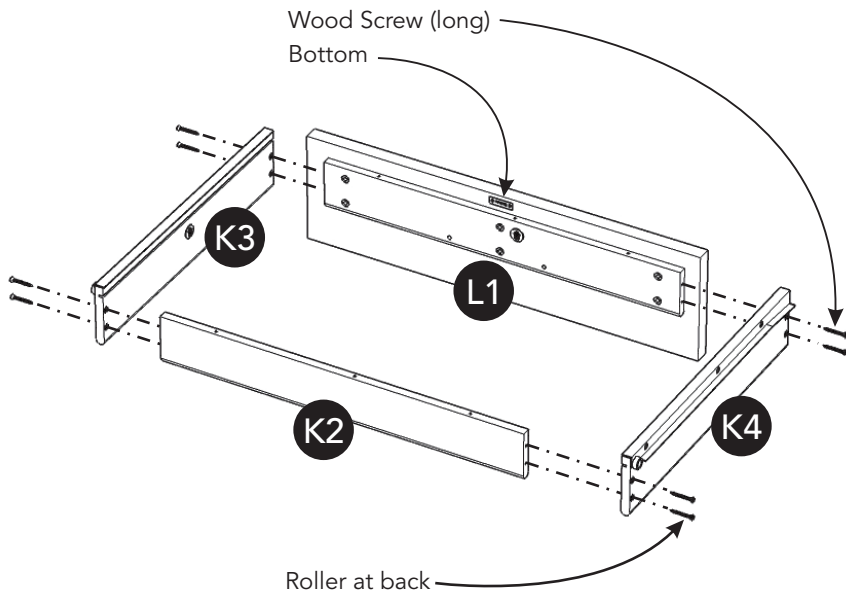
K4.
Drawer Side
1 pc.



K5.
Drawer Bottom
1 pc.

Assembly Instructions 8/10

Drawer (L)



STEP 14

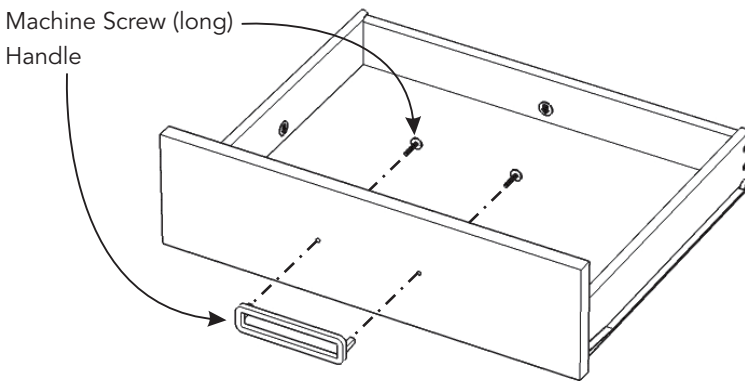
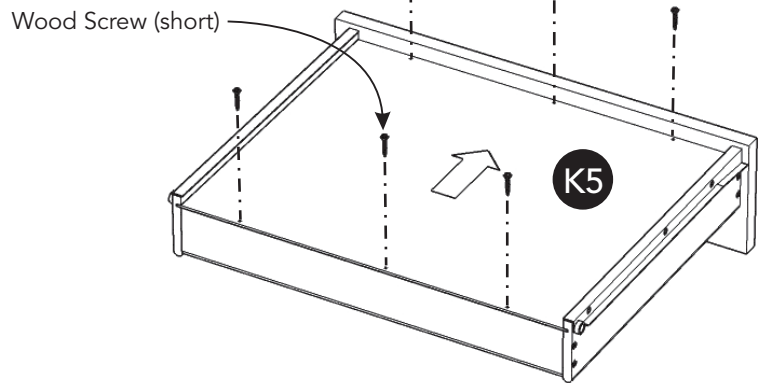
Attach Drawer Front (L1) and Drawer Back (K2) to Drawer Side (K3) with Wood Screws (long).

Attach Drawer Side (K4) to unit with Wood Screws (long).

STEP 15

Slide Drawer Bottom (K5) into groove.

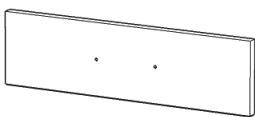
Attach Drawer Bottom (K5) to unit with Wood Screws (short).



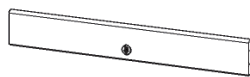
STEP 16

Attach Handle with Machine Screws (long).

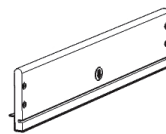
Part List



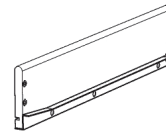
L1.
Drawer Front
1 pc.



K2.
Drawer Back
1 pc.



K3.
Drawer Side
1 pc.

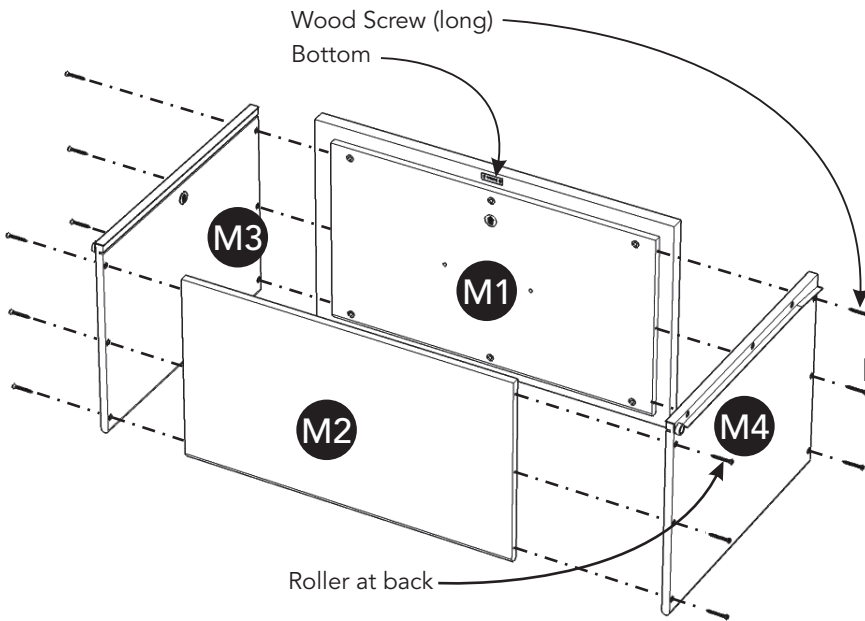


K4.
Drawer Side
1 pc.



K5.
Drawer Bottom
1 pc.

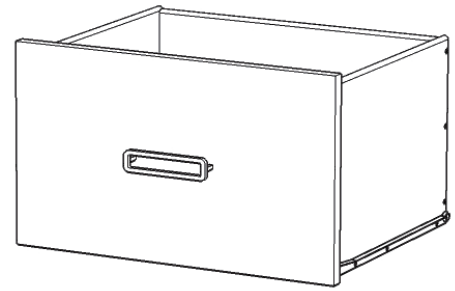
Drawer (M)



STEP 17

Attach Drawer Front (M1) and Drawer Back (M2) to Drawer Side (M3) with Wood Screws (long).

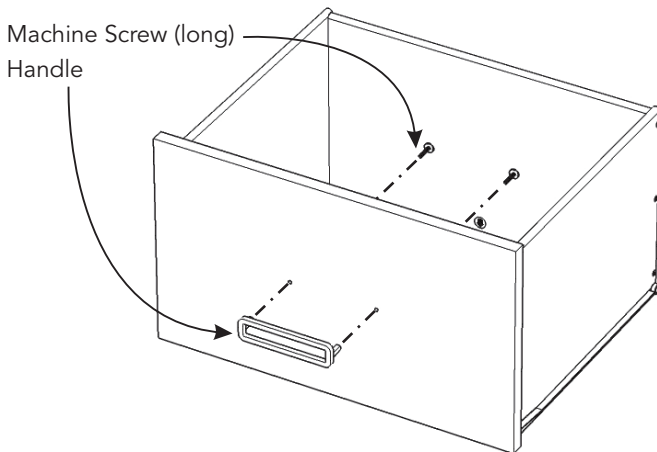
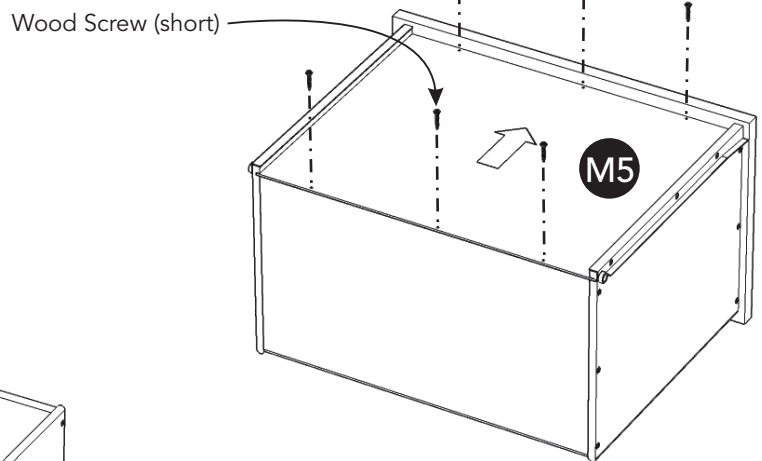
Attach Drawer Side (M4) to unit with Wood Screws (long).



STEP 18

Slide Drawer Bottom (M5) into groove.

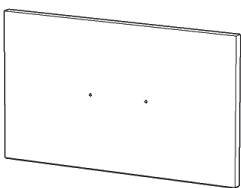
Attach Drawer Bottom (M5) to unit with Wood Screws (short).



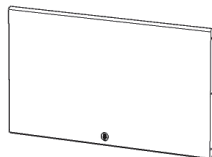
STEP 19

Attach Handle with Machine Screws (long).

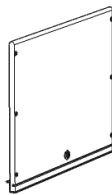
Part List



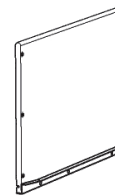
M1.
Drawer Front
2 pcs.



M2.
Drawer Back
2 pcs.



M3.
Drawer Side
2 pcs.

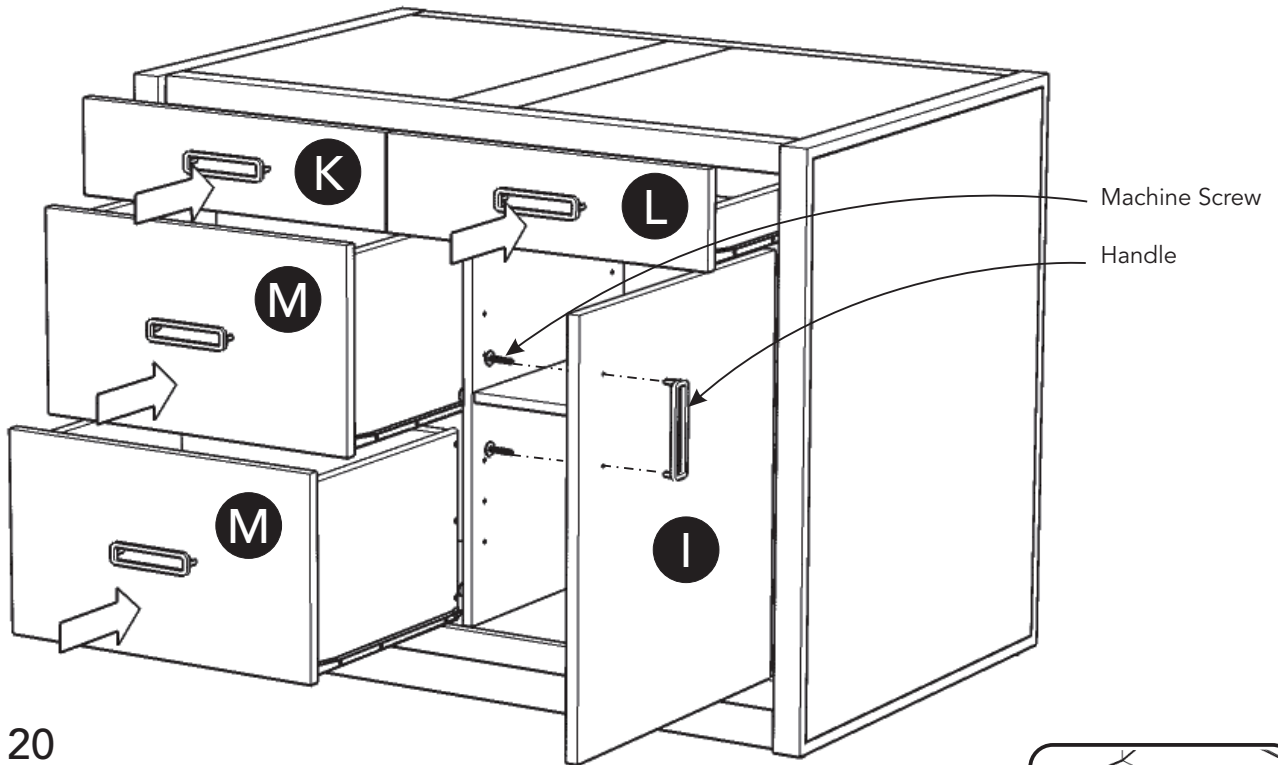


M4.
Drawer Side
2 pcs.



M5.
Drawer Bottom
2 pcs.

Assembly Instructions 10/10



STEP 20

Attach Handle to Door (I) with Machine Screws.

Slide Drawers (K), (L) and (M) into position.

Level unit by adjusting the adjustable levelers on bottom of unit. (See Figure 8)

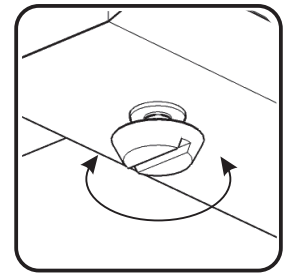


Figure 8

STEP 21

If needed, adjust door up or down by removing the front Wood Screws for Hinge and loosening slightly the back Wood Screws for Hinge from side panel, adjusting door up or down and re-installing screws. (See Figure 9)

If needed, adjust door left to right. (See Figure 10)

If needed, adjust door front to back. (See Figure 11)

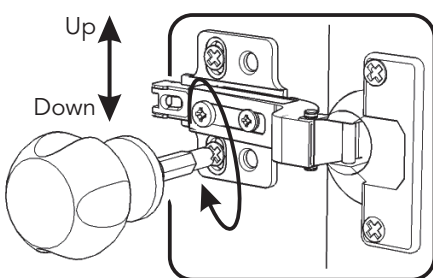


Figure 9

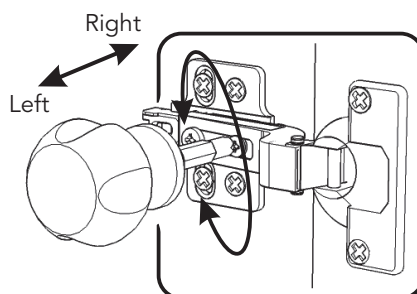


Figure 10

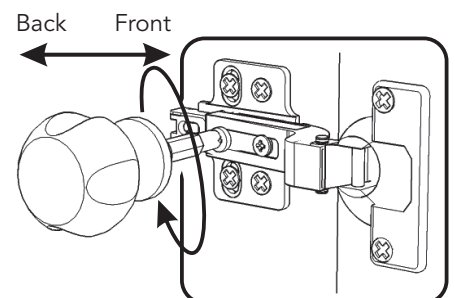


Figure 11

CARE INSTRUCTIONS

NEVER

allow liquids to remain on furniture.
Absorption causes parts to warp
and split and finishes to delaminate.

NEVER

use glass cleaners on
finished furniture. Ammonia
chemically attacks the finish.



Do not use power tools
above 8 volts to assemble.

**PREVENT
CRACKING**



Do not place
in direct sunlight.

**PREVENT
FADING**



Do not write
directly on surface.

**PREVENT
MARKING**



Do not place hot
objects on surface.

**PREVENT
FINISH DAMAGE**



Do not use rubber
based placemats.

**PREVENT
DISCOLORING**



Do not use commercial
waxes and polishes.

**PREVENT
YELLOWING**

CLEAN

with a soft cloth moistened
in lukewarm soap and water.
Buff with a dry clean cloth.



Home Styles will provide replacements free of charge for missing or damaged hardware or parts within 30 days of purchase. Digital images of the defective parts may be required. If the product was not purchased from an authorized retail affiliate, Home Styles is under no obligation to provide replacement parts. Parts are not available for fully assembled items nor are parts available for sale. Replacements for missing or damaged hardware or parts may be requested at:

www.homestyles-furniture.com/customer-service/replacement-parts

Home Styles Customer Service: www.homestyles-furniture.com,
servicedesk@homestyles-furniture.com, 888-680-7460, 877-831-0319