

FNS 37492 iE

PerfectCool freezer

for perfect side-by-side combination in the 70 in niche.



- Ice cubes thanks to the plumbed IceMaker
- Convenient LED lighting when the drawers are open
- No icing up of food and no need to defrost thanks to NoFrost
- Rapid and gentle freezing of food – Super freeze
- Pull out drawers to full depth for easy filling.

EAN: 4002515564516 / Material number: 10093890 / Old Material Number: 37374921USA

<b>Appliance category</b>	
Freezer	•
<b>Construction type</b>	
Built-in	•
Built-in integrated	•
Door hinge side	Left
Convertible hinging	•
Can be installed side-by-side	•
<b>Design</b>	
Freezer compartment lighting	LED
<b>Control panel</b>	
Required Accessories	XKS 3000 Z, XKS 3130 W, XKV 3000 KF
NoFrost	•
VarioRoom	•
SoftClose door closing damper	•
IceMaker with plumbed water connection	•
<b>Control</b>	
Electronic temperature display and control	TouchControl
Independent temperature control of fridge and freezer compartments	No
SuperFrost	•
No. of temperature zones	1
Sabbath mode	•
<b>Fridge / Fridge compartment</b>	
No. of shelves	6
<b>Freezer/Freezer compartment</b>	
of which on runners	5
<b>Efficiency and sustainability</b>	
Energy Star Qualified	•
<b>Safety</b>	
Lock function	•
Acoustic door alarm	•
Acoustic temperature alarm, freezer section	•
Acoustic temperature alarm	•
Optical door alarm	•
Optical temperature alarm	•
Power cut indication for freezer compartment	•
<b>Technical data</b>	
Niche width in inches (mm), min.	22 1/8 (560)
Niche width in inches (mm), max.	22 7/8 (578)
Niche height in inches (mm), min.	69 7/8 (1772)
Niche height in inches (mm), max.	70 1/2 (1788)
Niche depth in in.(mm)	21 3/4 (550)
Appliance width in in.(mm)	22 1/8 (559)
Appliance height in in.(mm)	69 3/4 (1770)
Appliance depth in in.(mm)	21 1/2 (544)
Weight in lbs.(kg)	173 (78.4)
Type of mounting	Fixed door
Total usable capacity in cu. ft. (l)	7.77 (220)

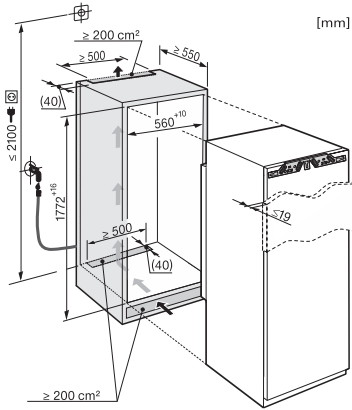
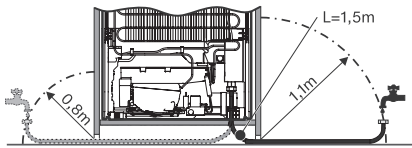
FNS 37492 iE  
 PerfectCool freezer  
 for perfect side-by-side combination in the 70 in niche.



EAN: 4002515564516 / Material number: 10093890 / Old Material Number: 37374921USA

Storage time in case of fault in h	14
Current consumption in milliampere (mA)	2300
Voltage in V	115
Fuse rating in A	15
Number of phases	1
Frequency in Hz	60
Wire length in ft (m)	6 (2.1)
Replacing bulbs	Customer Service
<b>Accessories supplied</b>	
Freezer packs	•
Ice cube trays	•

FNS 37492 iE  
PerfectCool freezer  
for perfect side-by-side combination in the 70 in niche.



FNS37492iE, KFN37692iDE, KFSN37692iDE, Water connection placement 2013 (installation drawings)

FNS37492iDE (installation drawings)