

Fully Integrated 24" MasterCool II

K 2601 Vi / K 2611 Vi

F 2601 Vi* / F 2611 Vi*

KWT 2601 Vi / KWT 2611 Vi

KWT 2661 ViS / KWT 2671 ViS



Fully Integrated 24" MasterCool II

SPECIFICATIONS			
Overall Unit Dimensions	23 ³ / ₄ " (604 mm) W x 83 ³ / ₄ " - 85 ³ / ₁₆ " (2127 - 2164 mm) H x 24" (610 mm) D [Depth does not include door panel]		
Niche			
Minimum Cabinet Niche Opening	24" (610 mm) W* x 84" - 85 ³ / ₁₆ " (2134 - 2164 mm) H x 24 ³ / ₄ " (629 mm) D		
Interior Volume	K 26x1 Vi	KWT 26x1 Vi	F 26x1 Vi
Refrigeration Volume	**	**	0
Freezer Volume	0	0	**
Chiller Volume	0	**	0
Electrical	K 26x1 Vi	KWT 26x1 Vi	F 26x1 Vi
Electrical Requirements	110V / 120V, 60Hz, 15 Amps In the case of side-by-side installations, a separate outlet must be used for each appliance.		
Power Cord	NEMA 5-15 plug, 5 ft (1.52 m)		
Plumbing	K 26x1 Vi	KWT 26x1 Vi	F 26x1 Vi
Water Supply Requirements	- Connect to a cold water supply only. Do not connect to a low-mineral or a reverse osmosis system. Must be connected to a shut-off valve. The water shut-off valve must be accessible after installation. The water pressure must be between 29 psi (2 bar) and 116 psi (8 bar). If the pressure is higher than 120 psi (8.3 bar), a pressure reducing valve must be installed.		
Water Connection Line	- Standard 1/4" O.D flexible water line. The maximum outer diameter of the water pipe (without fittings): 3/8" (10 mm). Water line is not included.		
Shipping	K 26x1 Vi	KWT 26x1 Vi	F 26x1 Vi
Shipping Weight	346 lbs (157 kg)	357 lbs (162 kg)	375 lbs (170 kg)
Shipping Dimensions	26 ⁷ / ₈ " (682 mm) W x 84 ¹ / ₄ " (1,240 mm) H x 29 ⁷ / ₈ " (759 mm) D		
Support			
Call Miele	(800) 565-6435		
Miele Website	www.miele.ca		
20/20 Link	2020technologies.com		

Please note the following:

- This specification sheet is for a single built-in unit.
- When combining multiple MasterCool units side-by-side, please refer to the Merging Kit specification sheet.

*If design calls for a partition less than 6⁵/₁₆" (160 mm) the left unit's cutout will require an additional 1/8" (3 mm) to the width to allow installation of the Heating Mat/Merge Kit.



K 2601 Vi (Right Hinged)
K 2611 Vi (Left Hinged)



F 2661 Vi (Right Hinged)
F 2671 Vi (Left Hinged)



KWT 2601 Vi (Right Hinged)
KWT 2611 Vi (Left Hinged)

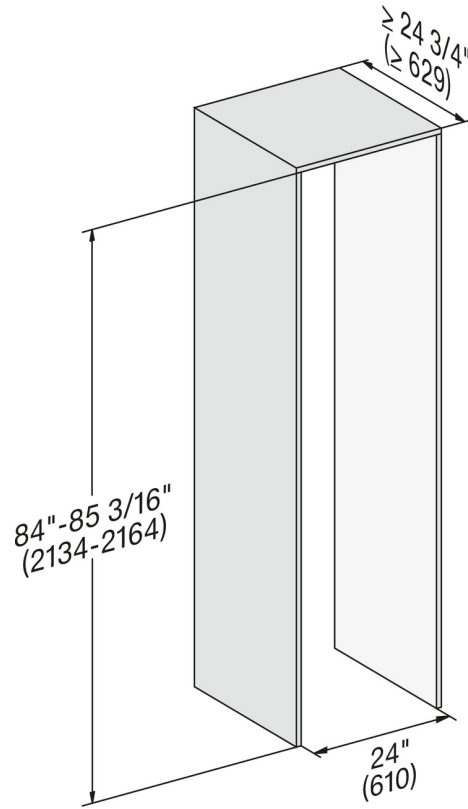


KWT 2661 ViS (Right Hinged)
KWT 2671 ViS (Left Hinged)

Fully Integrated 24" MasterCool II

CUTOUT DIMENSIONS

- Niche depth assumes a 3/4" (19 mm) panel, please adjust according to custom panel thickness

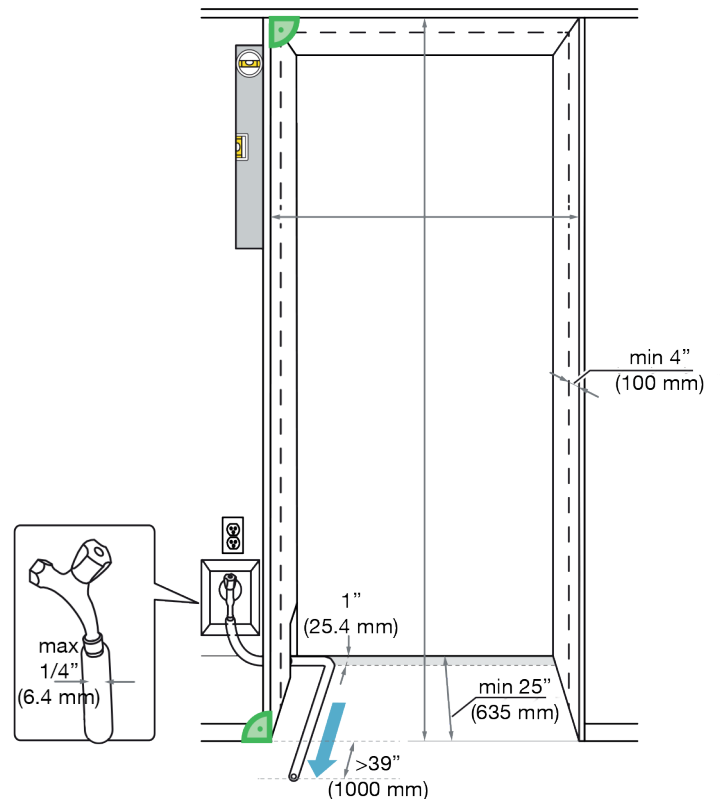


CUTOUT DETAILS

- The electrical connection must not be positioned higher than 9" (228.6 mm) above the floor.
- The 1/4" (6.4 mm) plumbed water connection should not be positioned higher than 2" (50.8 mm) above the floor.

Notes:

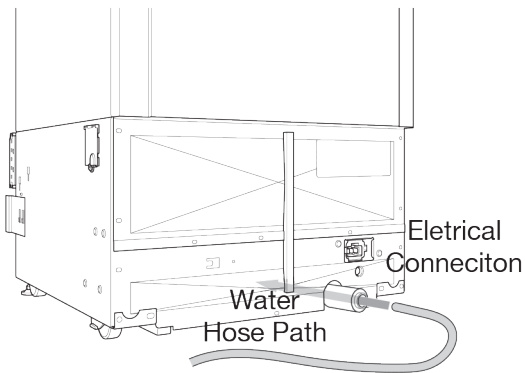
In case of an emergency the electrical outlet must be easily accessible and must not be concealed behind the appliance.



Fully Integrated 24" MasterCool II

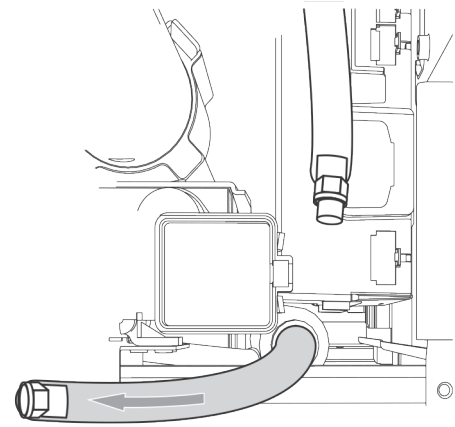
POWER SUPPLY AND WATER CONNECTION (Water Connection For F 26x1 Vi Only)

Rear View



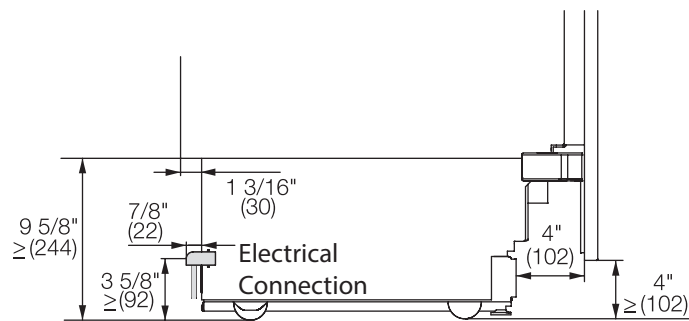
Electrical - 5 foot (1.52 m) - 120 Volt - 15 Amp
- NEMA 5-15 molded plug
Water line - 1/4" flexible water line - not included

Front View



Water connection is located in front of unit.
1/4" compression fitting is needed.

Side View

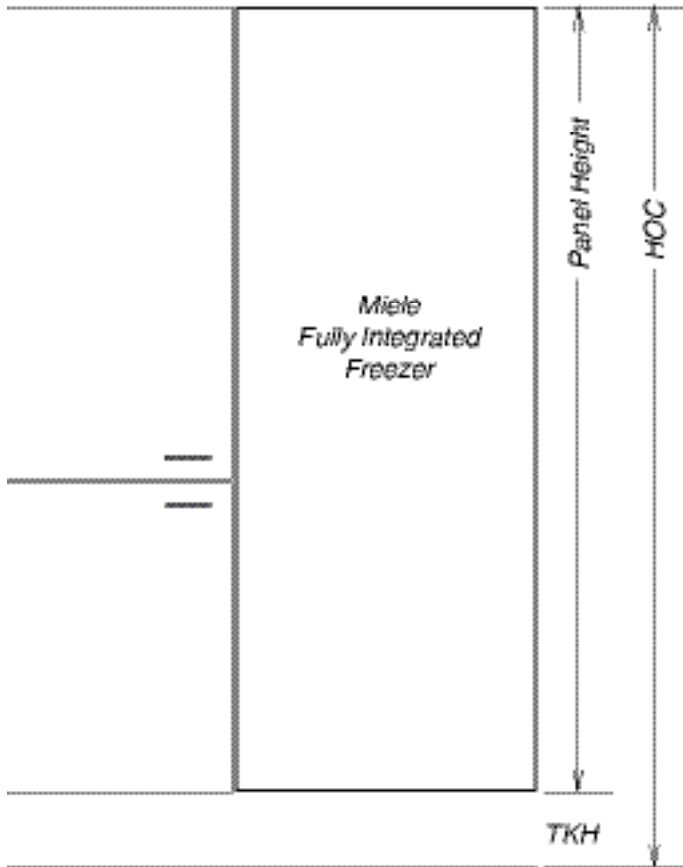


Fully Integrated 24" MasterCool II | K 26x1 Vi

CUSTOM PANEL INSTALLATIONS

These units do not come equipped with a front panel. They are designed to accept a custom door panel supplied by the cabinet maker. Miele has a unique panel integration system which allows the panels to align with the surrounding cabinets.

Panel size is determined in the following manner:



Width: Minimum 23 3/4" (604 mm)

Thickness: Minimum 3/4" (19 mm) outside frame

Height: Determined using the following calculation:

$$\text{Panel Height} = \text{HOC} - \text{TKH}$$

HOC = Total height of cabinet or side panel

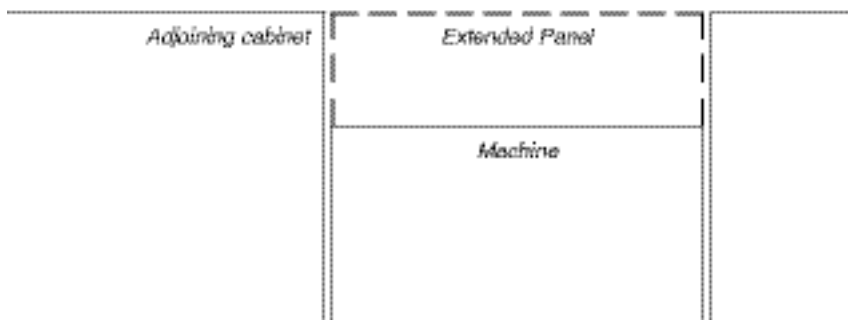
TKH = Toe-kick height

Note: Finish back side of panels to insure appearance
Panel may extend above unit. This is **not** considered in height calculation

Maximum panel weight: 106 Pounds

Panel Notes

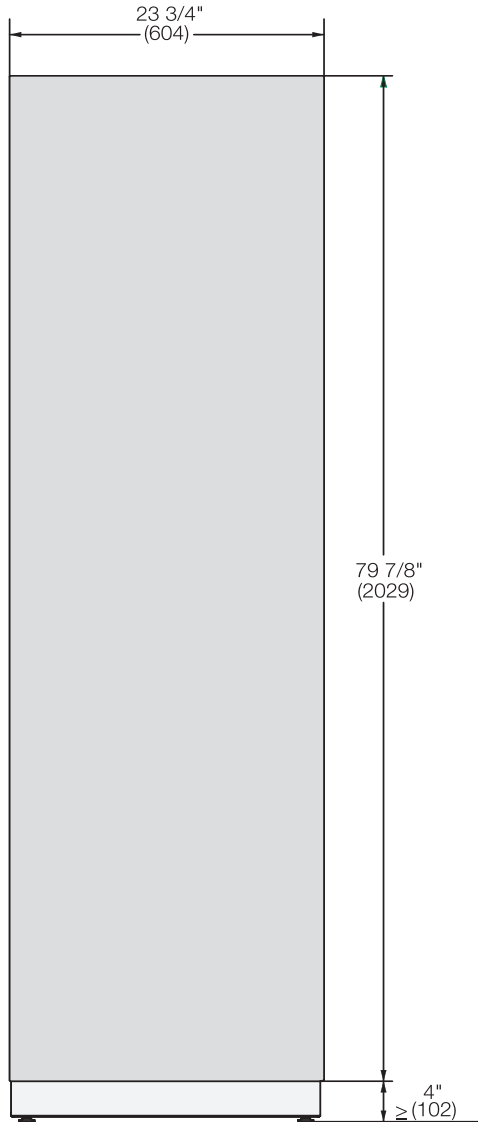
If the adjoining cabinets are taller than the height of machine (HOM) - the front panel may be extended accordingly. Simply maintain the toekick height and extend the panel the needed distance.



Fully Integrated 24" MasterCool II | K 26x1 Vi

DOOR PANEL DIMENSIONS KFP 2404 - Door Panel

Available as an accessory
for the following models:
• K 26x1 Vi

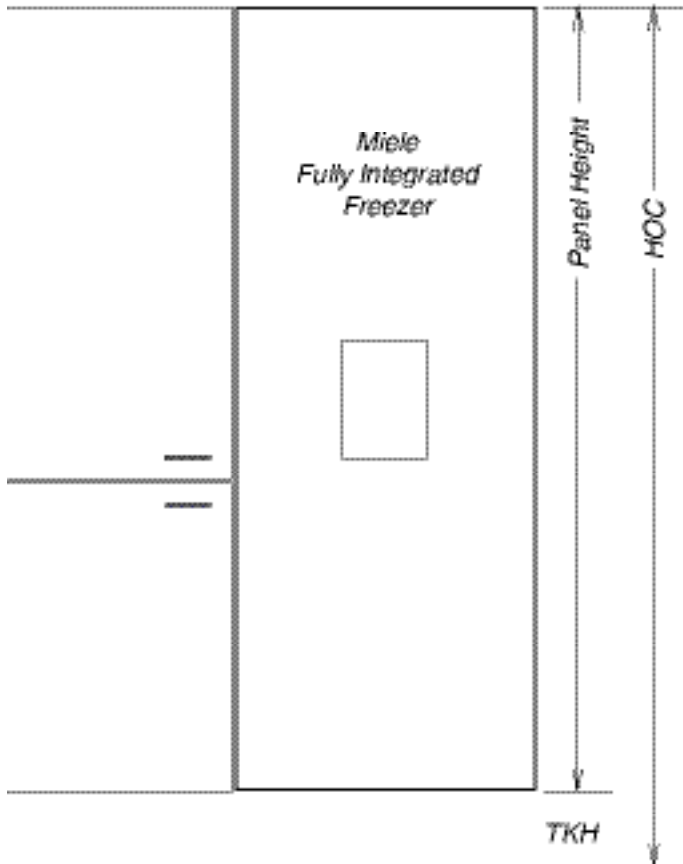


Fully Integrated 24" MasterCool II | F 26x1 Vi

CUSTOM PANEL INSTALLATIONS

These units do not come equipped with a front panel. They are designed to accept a custom door panel supplied by the cabinet maker. Miele has a unique panel integration system which allows the panels to align with the surrounding cabinets.

Panel size is determined in the following manner:



Width: 23 3/4" (604 mm) in all cases

Thickness: Minimum 3/4" (19 mm) outside frame

Height: Determined using the following calculation:

$$\text{Panel Height} = \text{HOC} - \text{TKH}$$

HOC = Total height of cabinet or side panel

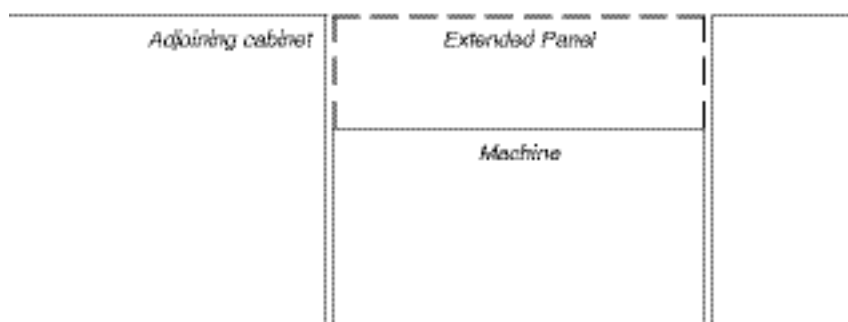
TKH = Toe-kick height

Note: Finish back side of panels to insure appearance
Panel may extend above unit. This is **not** considered in height calculation

Maximum panel weight: 143 Pounds

Upper Panel Notes

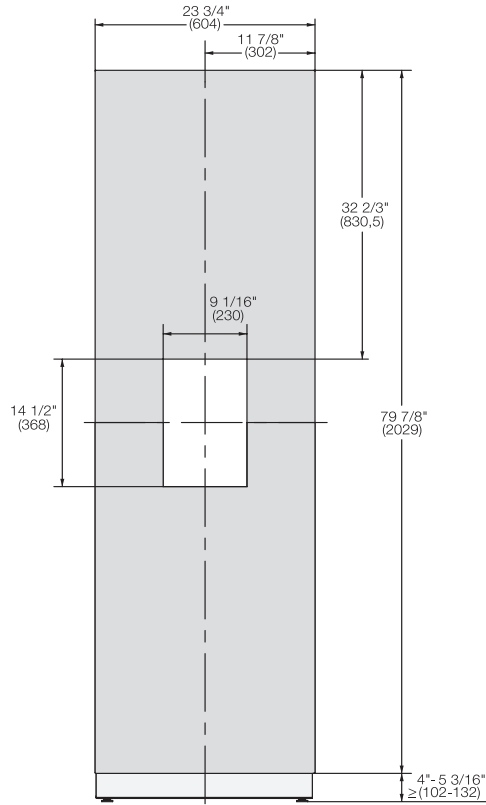
If the adjoining cabinets are taller than the height of machine (HOM) - the front panel may be extended accordingly. Simply maintain the toekick height and extend the panel the needed distance.



Fully Integrated 24" MasterCool II | F 26x1 Vi

DOOR PANEL DIMENSIONS & DISPENSER CUTOUT KFP 2444 - Door Panel

Available as an accessory
for the following models:
• F 26x1 Vi

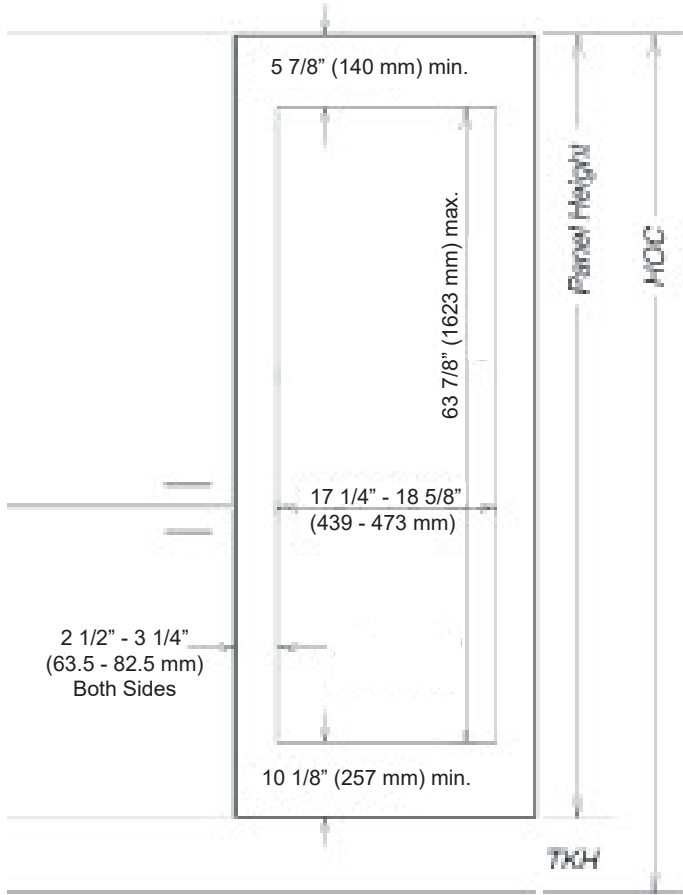


Fully Integrated 24" MasterCool II | KWT 26x1 Vi(S)

CUSTOM PANEL INSTALLATIONS

These units do not come equipped with a front panel. They are designed to accept a custom door panel supplied by the cabinet maker. Miele has a unique panel integration system which allows the panels to align with the surrounding cabinets.

Panel size is determined in the following manner:



Panel Width: 23 3/4" (604 mm) in all cases

Thickness: Minimum 3/4" (19 mm) outside frame

Height: Determined using the following calculation:

$$\text{Panel Height} = \text{HOC} - \text{TKH}$$

HOC = Total height of cabinet or side panel

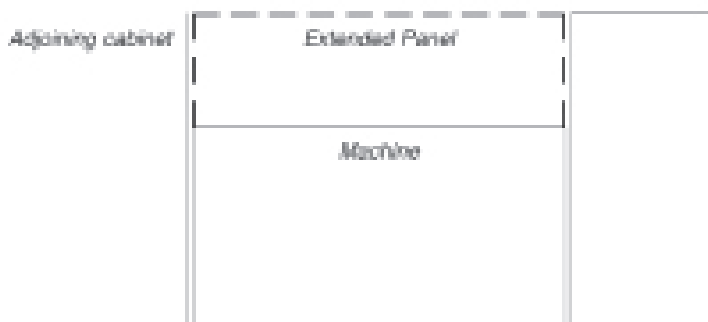
TKH = Toe-kick height

Note: Finish back side of panels to insure appearance. Panel may extend above unit. This is not considered in height calculation.

Maximum panel weight 137 Pounds

Upper Panel Notes

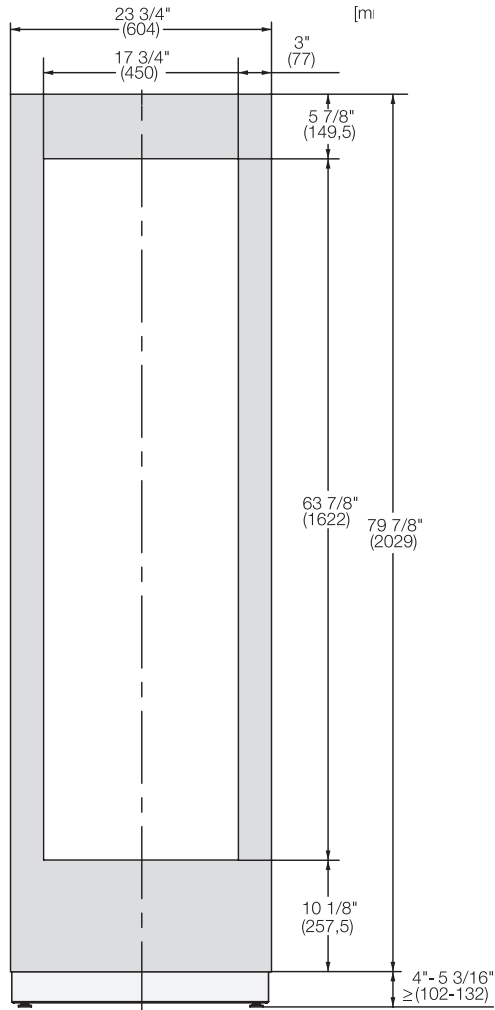
If the adjoining cabinets are taller than the height of machine (HOM) - the front panel may be extended accordingly. Simply maintain the toe-kick height and extend the panel the needed distance.



Fully Integrated 24" MasterCool II | KWT 26x1 Vi(S)

DOOR PANEL DIMENSIONS KFP 2454 -Door Panel

Available as an accessory
for the following models:
• KWT 26x1 Vi(S)

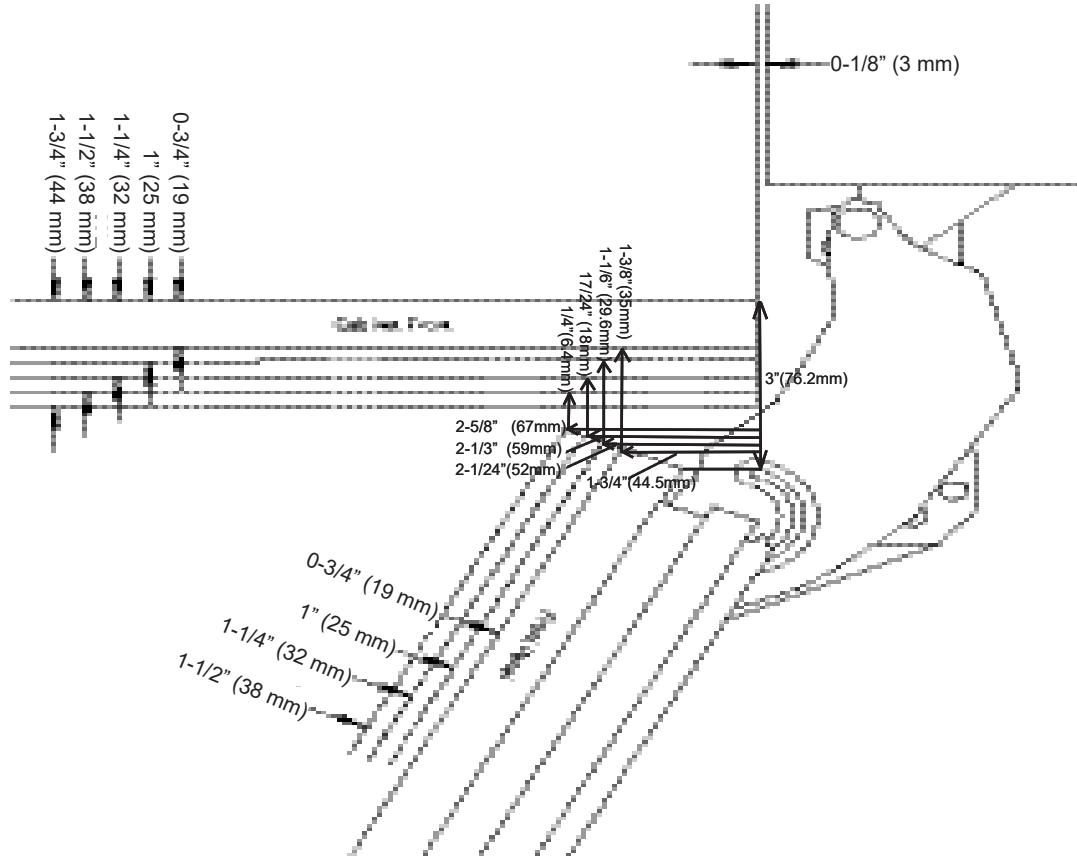


Fully Integrated 24" MasterCool II

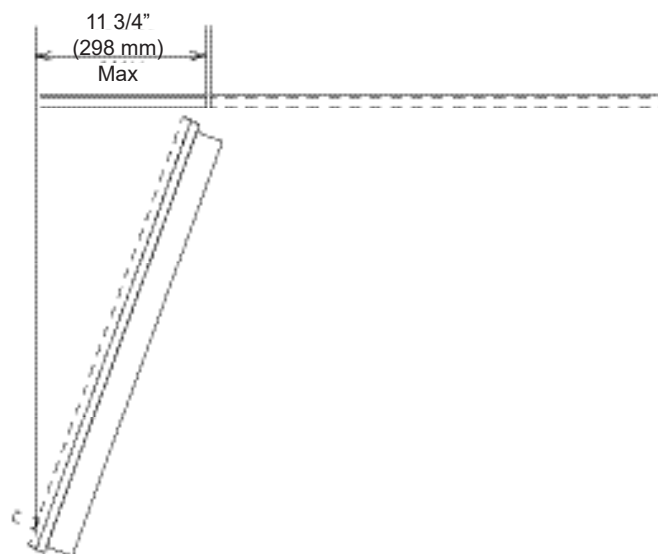
HINGING DETAILS 115° OPENING

Available for the following models:

- K 26x1 Vi
- F 26x1 Vi
- KWT 26x1 Vi(S)



DOOR SWING AT 115° OPENING



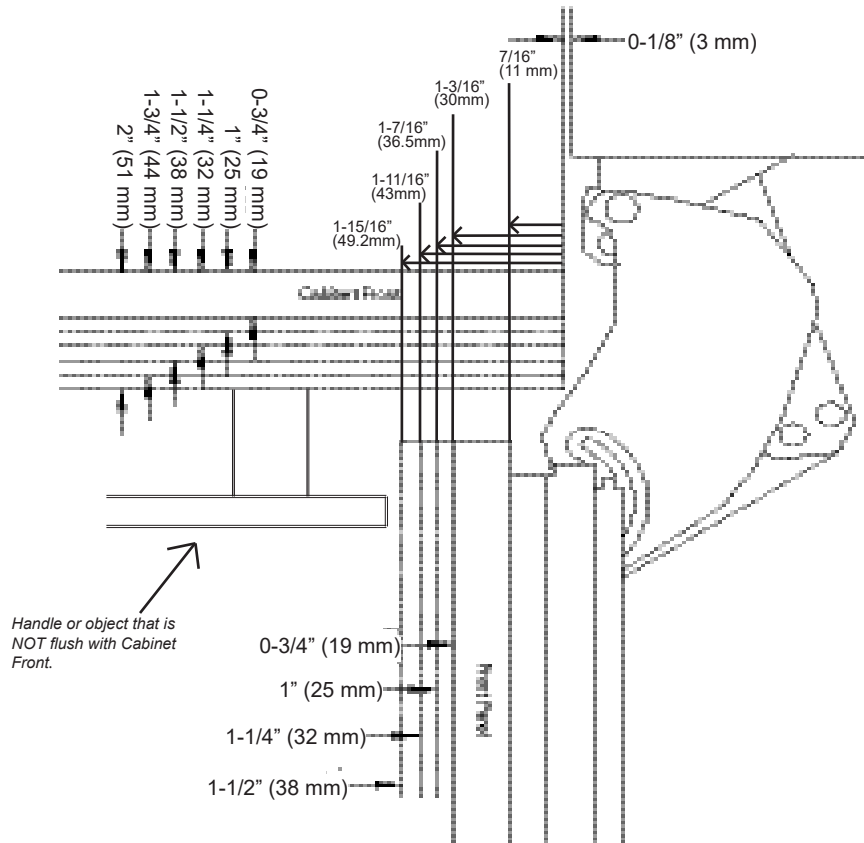
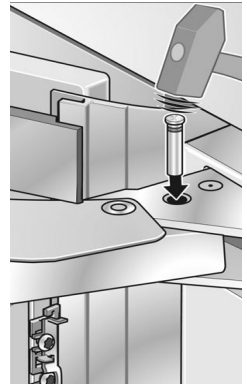
NOTE: Additional space needed depending on thickness of front panels and handle used

Fully Integrated 24" MasterCool II

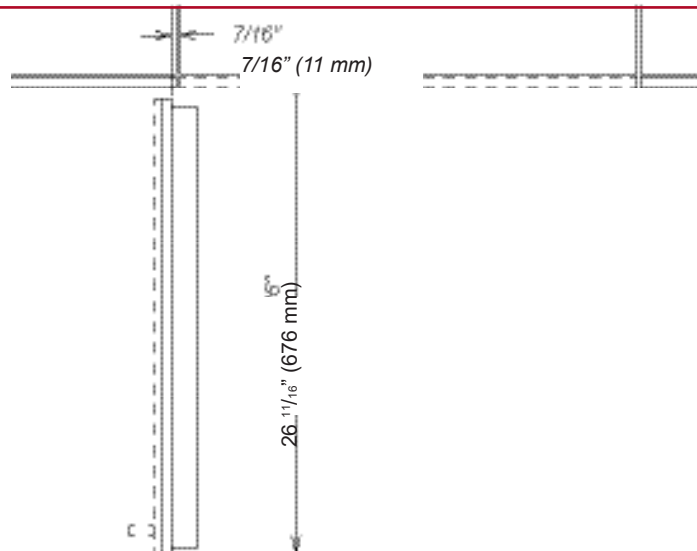
HINGING DETAILS 90° OPENING

Available for the following models:

- K 26x1 Vi
- KWT 26x1 Vi(Si)



DOOR SWING AT 90° OPENING



NOTE: Additional space needed depending on thickness of front panels and handle used

When installing hinge side next to an appliance or object that is within range of the door panel, limit the door opening angle to 90°. This is done by installing the banking pin as illustrated. Insert the banking pin through the holes and drive in with a hammer.

Freezer units cannot be stop pinned at 90°