

KM 3474 LP

Gas cooktop

with 2 dual wok burners for particularly versatile cooking convenience.



- Simple controls -single-handed operation via rotary dial control
- Professional design – 36 (914) in (mm) wide stainless steel trough
- Particularly versatile – 5 burners incl. Two dual woks
- Extremely safe – GasStop function
- Easy cleaning – ComfortClean dishwasher-safe grates

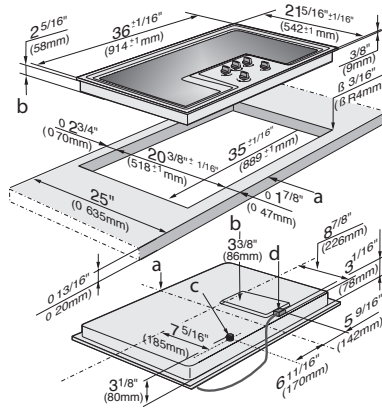
EAN: 4002514141169 / Material number: 06792800 / Old Material Number: 26347451USA

<b>Heating type</b>	
Fuel type	Gas
<b>Construction type</b>	
Independent of oven	•
<b>Design</b>	
Cast iron pot rests (matte black enameled)	•
<b>Ring features</b>	
No. of rings	5
<b>1st cooking zone/cooking area</b>	
Position	front left
Type	Dual wok burner
Max. rating in W	4500
<b>2nd cooking zone/cooking area</b>	
Position	rear left
Type	Standard burner
Max. rating in W	2600
<b>3rd cooking zone/cooking area</b>	
Position	rear center
Type	High-speed burner
Max. rating in W	3500
<b>4th cooking zone/cooking area</b>	
Position	rear right
Type	Standard burner
Max. rating in W	2600
<b>5th cooking zone/cooking area</b>	
Position	front right
Type	Dual wok burner
Max. rating in W	4500
<b>Control panel</b>	
Operation via knobs	•
Electronic ignition with one-handed operation	•
QuickStart	•
<b>Safety</b>	
GasStop & ReStart	•
<b>Technical data</b>	
Dimensions (width) in in. (mm)	36 (914)
Dimensions (height) in in. (mm)	5 (125)
Depth in in. (mm)	21 3/8 (542)
Cutout dimensions in mm (width) with surface-mounted installation	35 (889)
Cutout dimensions in mm (depth) with surface-mounted installation	20 1/2 (518)
Weight in lbs. (kg)	55 (25)
Total connected load in kW	17.00
Power cord length in in. (m)	3 (1.2)
Voltage in V	120
Frequency in Hz	60
<b>Accessories supplied</b>	
Number of mains cables with plug	No

## KM 3474 LP

Gas cooktop

with 2 dual wok burners for particularly versatile cooking convenience.



KM 3474/KM3475 (Installation Drawing) – USA

1. Front, 2. Installation height, 3. Gas connection, 4. Electrical connection