


Miele

30" Warming Drawer (Height 9³/₁₆")

ESW 6585; ESW 6885



Shown: H 6880 BP next to H 6870 BM over ESW 6885
Please note: This information is subject to change

 mieleusa.com
Specification Sheets TRS 09262018

30" Warming Drawer (Height 9³/₁₆")

SPECIFICATIONS	
Overall Dimensions - Excluding Fascia Dimension	26 ¹ / ₈ " (664 mm) W x 9 ³ / ₄ " (248 mm) H x 23 ³ / ₄ " (602.8 mm) D
Overall Fascia Dimensions	29 ¹³ / ₁₆ " (757 mm) W x 9 ³ / ₁₆ " (234 mm) H x 7 ¹ / ₈ " (22*/23** mm) D *Oven with glass/**Oven with metal
Shelf	
Minimum Base Support	240 lbs (109 kg)
Electrical	
Electrical Requirements	120V, 60Hz, 15A
Power Cord	Molded NEMA 5-15 plug, 7' 2" (2.2 m)
Electrical Rating	1kW
Shipping	
Shipping Weight	73 lbs (33 kg)
Shipping Dimensions	29 ¹ / ₂ " (750 mm) W x 14 ³ / ₈ " (365 mm) H x 32 ⁷ / ₈ " (770 mm)L
Support	
Call Miele	(800) 999-1360
Miele Website	www.mieleusa.com
20/20 Link	2020technologies.com

ContourLine:



ESW 6585
Item 30658563USA

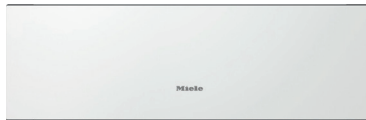
PureLine:



ESW 6885
Item 30688563USA



ESW 6885 GRGR
Item 30688564USA



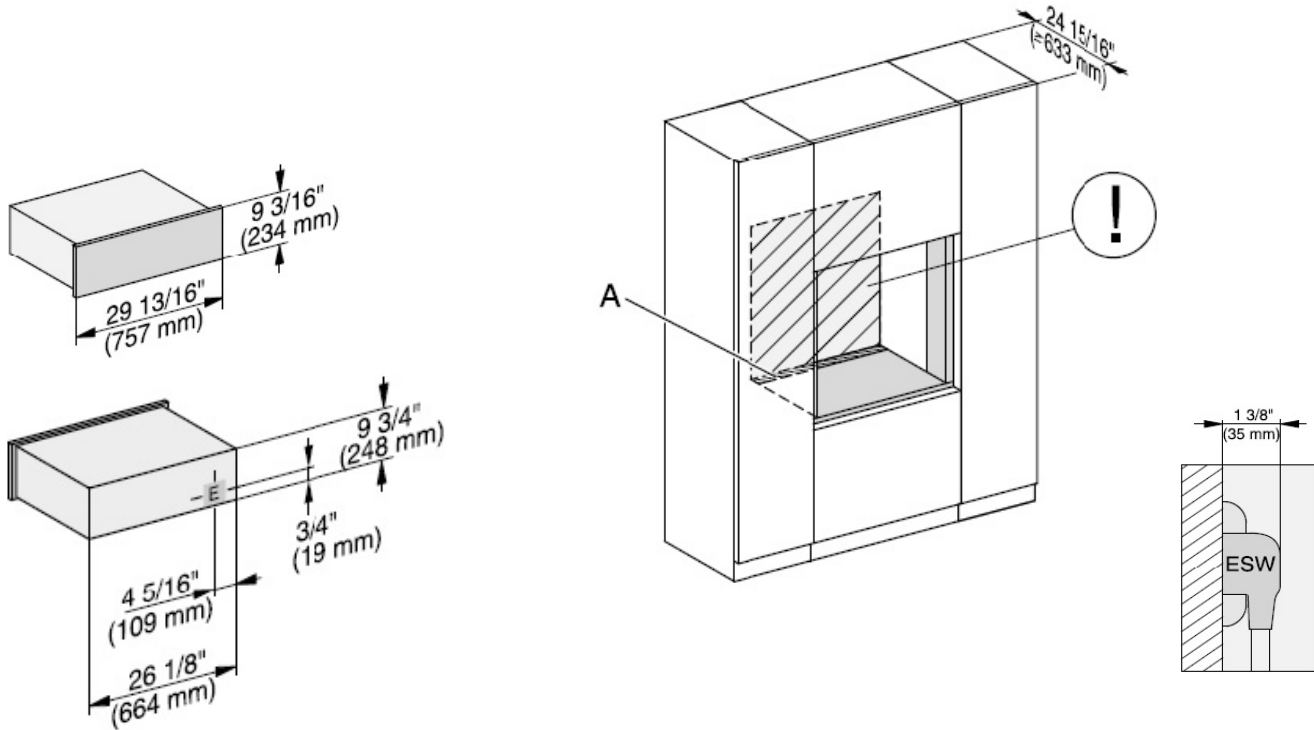
ESW 6885 BRWS
Item 30688561USA



ESW 6885 OBSW
Item 30688562USA

30" Warming Drawer (Height 9³/₁₆") - Flush Installation

PRODUCT DIMENSIONS



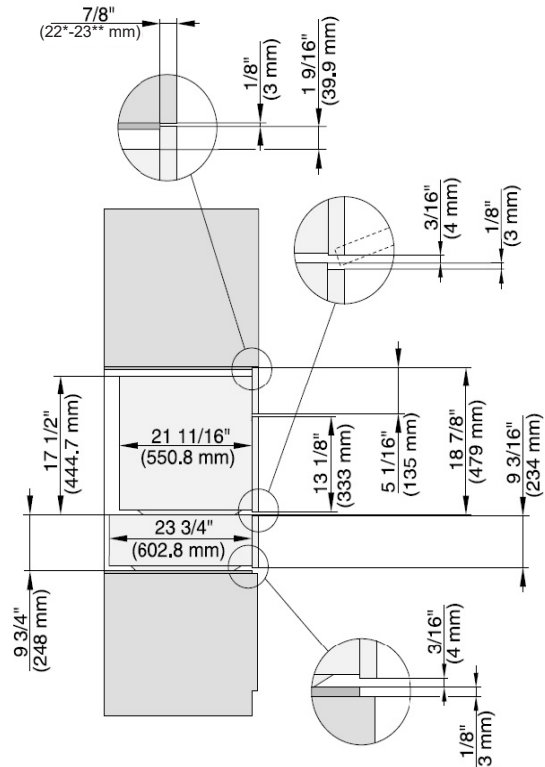
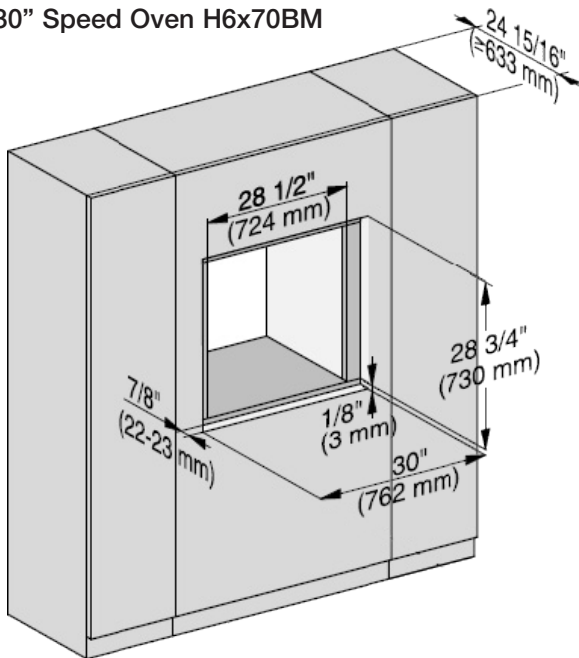
A - Cut-out (4" x 28" / 100 mm x 720 mm) in the bottom of the cabinet for power cord and ventilation

ⓘ - Electrical and water supplies are recommended to be placed in adjacent cabinetry.
Additional cabinet depth is required when placing the electrical and water supplies behind the appliance.

E = Electric connection

FLUSH INSTALLATION

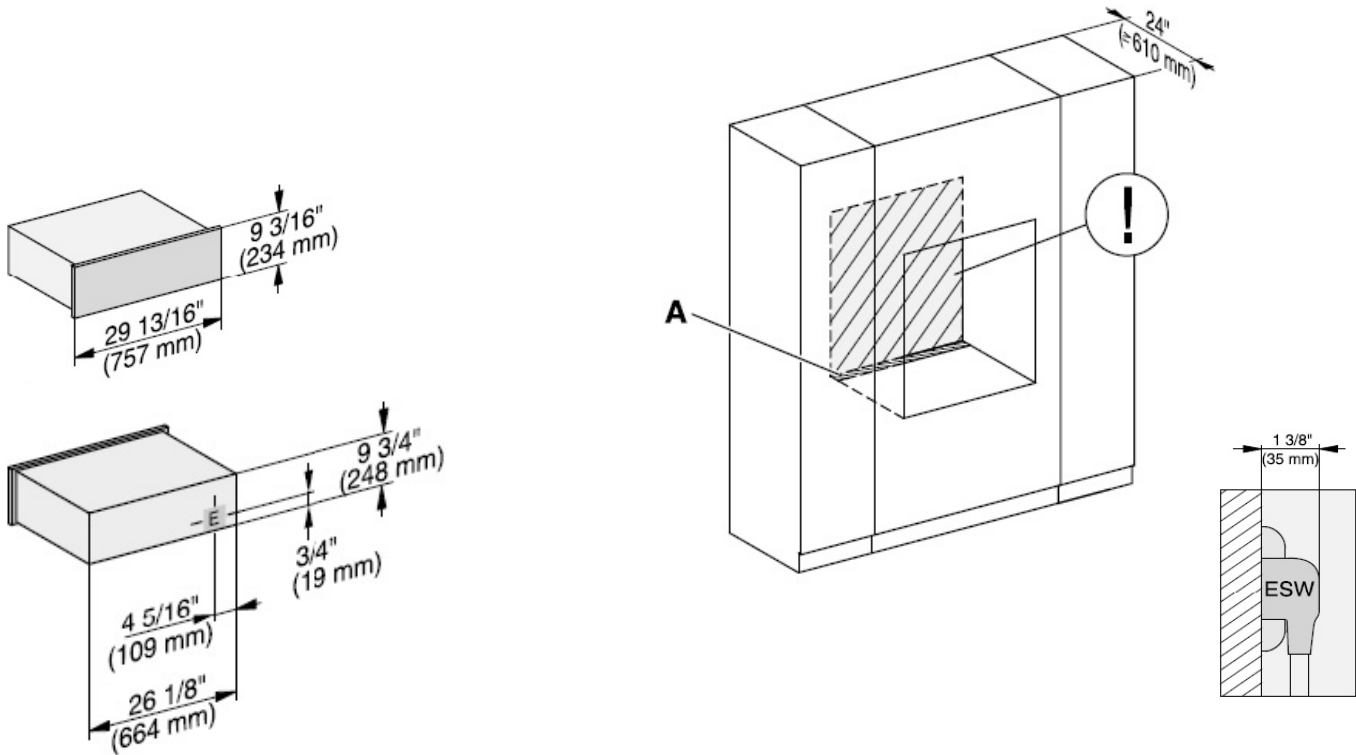
With 30" Speed Oven H6x70BM



* Oven with glass
** Oven with metal

30" Warming Drawer (Height 9³/₁₆") - Proud Installation

PRODUCT DIMENSIONS

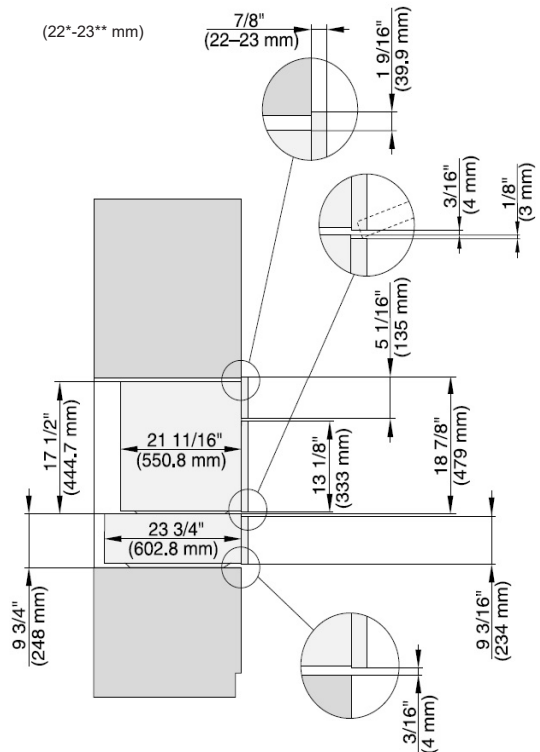
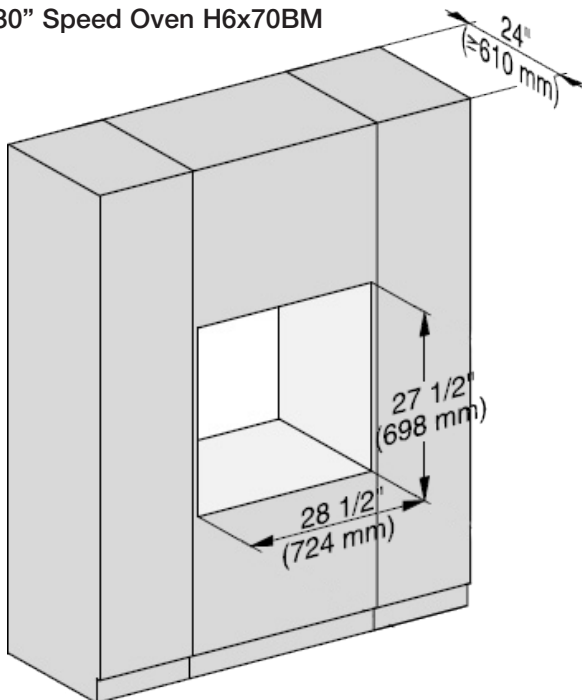


A - Cut-out (4" x 28" / 100 mm x 720 mm) in the bottom of the cabinet for power cord and ventilation

ⓘ - Electrical and water supplies are recommended to be placed in adjacent cabinetry. Additional cabinet depth is required when placing the electrical and water supplies behind the appliance.

E = Electric connection

Proud INSTALLATION With 30" Speed Oven H6x70BM



* Oven with glass
** Oven with metal