

G 7516 SCi 24" Semi-Integrated Dishwasher

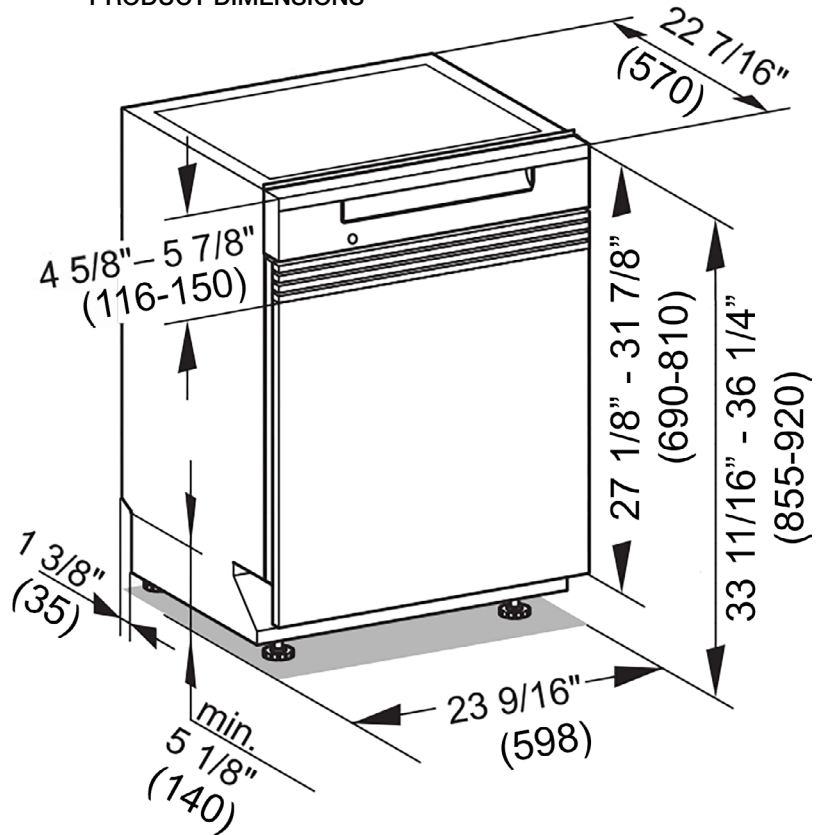
Features:

- AutoDos
- 3D MultiFlex Cutlery Tray
- QuickIntenseWash
- WifiConn@ct
- DirectSensor Controls
- Panel-Ready
- Water Softener

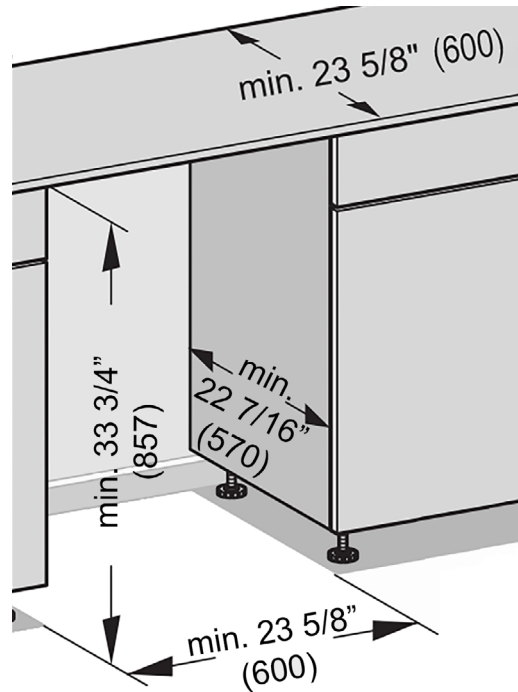


SPECIFICATIONS	
Overall Unit Dimensions	23 ⁹ / ₁₆ " (598 mm) W x 33 ¹¹ / ₁₆ " - 36 ¹ / ₄ " (855 -920 mm) H x 22 ⁷ / ₁₆ " (570 mm) D [Depth does not include door panel]
Niche	
Minimum Cabinet Niche Opening	23 ⁵ / ₈ " (600 mm) W x 33 ³ / ₄ " (857 mm) H x 22 ⁷ / ₁₆ " (570 mm) D
Plumbing	
Water Supply Requirements	<ul style="list-style-type: none"> • Cold or Hot (max 150°F/65°C) water connection • Male 3/8" compression fitting • Water pressure range 7.25 psi (0.5 bar) and 145 psi (10 bar)
Water Connection Line (Supplied)	Length: 5 ft (1.5 m) Female 3/8" compression.
Drain Hose (Supplied)	Length: 5 ft (1.5 m) 7/8" (22 mm) internal diameter
Electrical	
Electrical Requirements	110V / 120V, 60Hz, 15 Amps
Power Cord (Convertible to hardwire)	NEMA 5-15 plug, 5 ft (1.52 m)
Shipping	
Shipping Weight	121 lbs (55 kg)
Shipping Dimensions	27 ¹ / ₈ " W x 38 ¹ / ₈ " H x 26 ³ / ₈ " D

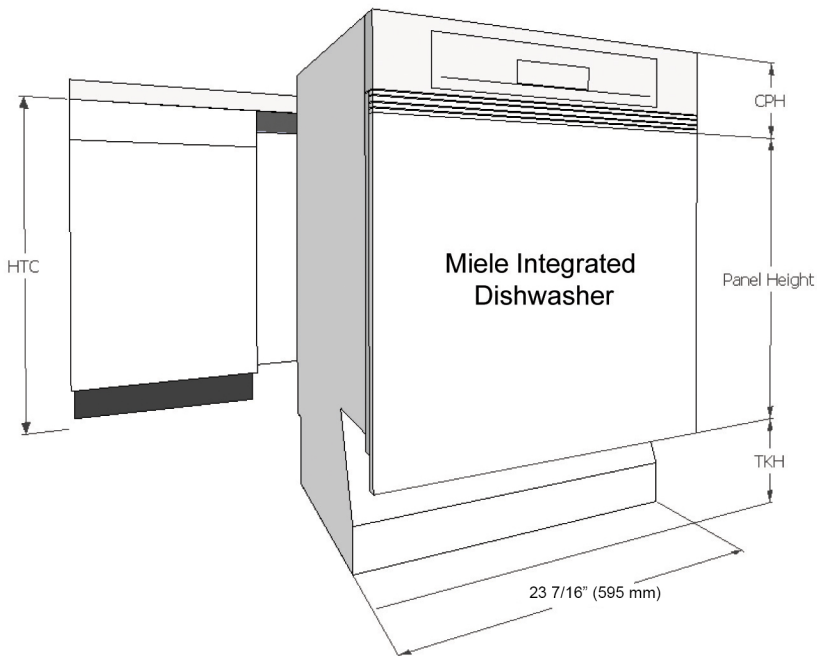
PRODUCT DIMENSIONS



CUTOUT DIMENSIONS



CUSTOM PANEL



Width: 23 7/16" (595 mm) in all Cases
Thickness: 3/4" (19 mm) in all Cases
Height: Determined using the following calculation:

$$\text{Panel Height} = \text{HTC} - \text{CPH} - \text{TKH}$$

HTC = Height to the underside of countertop
CPH = Control panel height
TKH = Toe kick height

Note: Control panel height is determined by the height of the adjoining drawers in the cabinets. The height is adjustable between 4 5/8" and 5 7/8" (116 - 150 mm) with spacer strips provided.

Maximum panel height: 27 1/4" (692 mm)

Minimum panel height: 21 1/4" (540 mm)

Maximum panel weight: 24 lbs (11 kg)