

88 5050 76

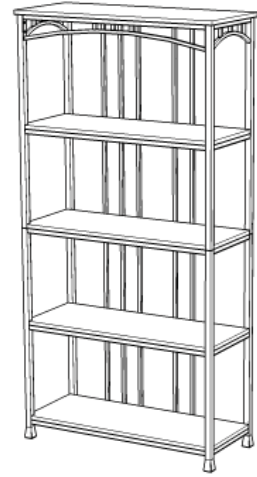
Modern Craftsman Multi Function Shelf

IMPORTANT NOTE

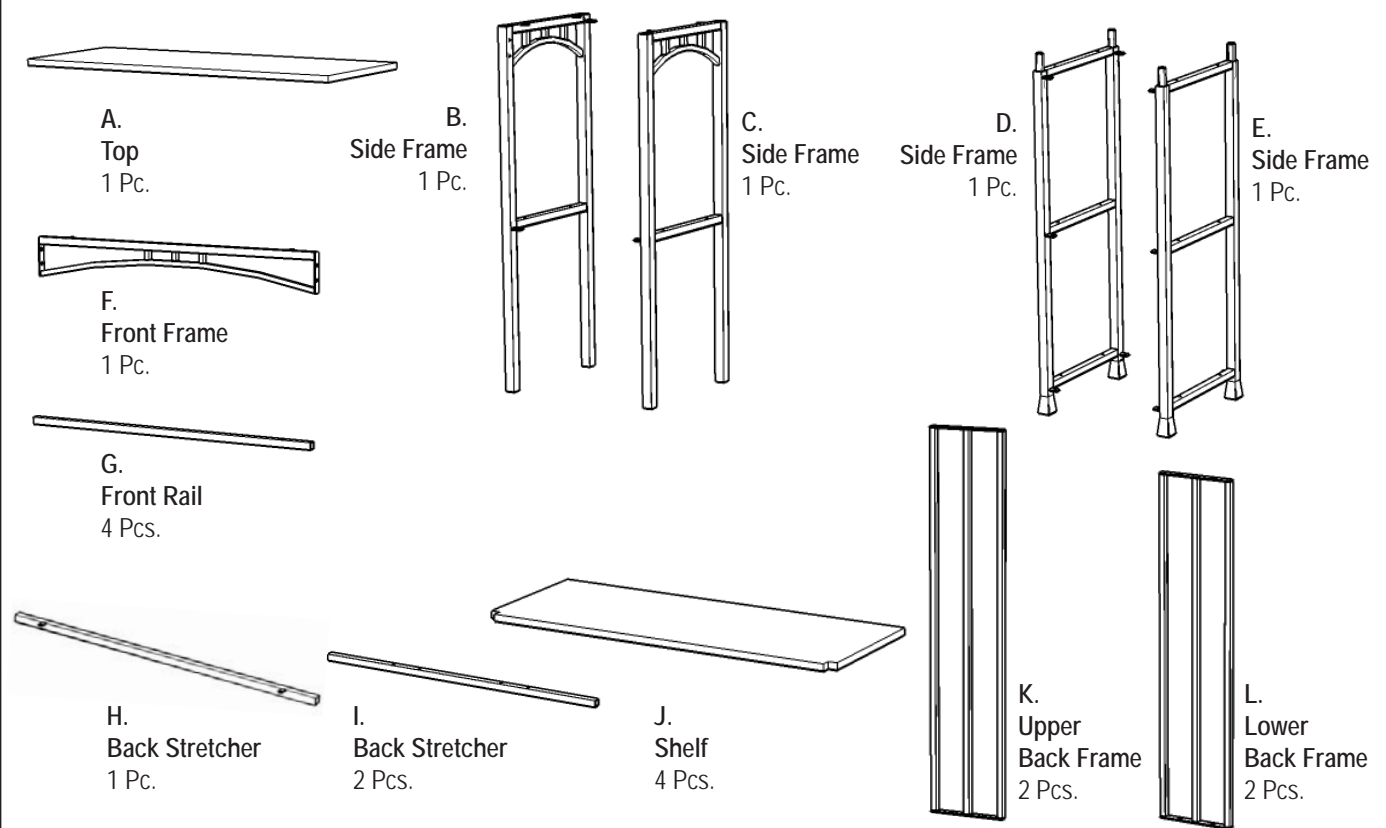
Carefully remove all the parts from the carton and put them individually on a soft cloth to prevent scratches or other damage occurring to the parts.

We have taken great care in the design of this product and request that you carefully and strictly follow our assembly instructions to ensure a completed product as it was designed.

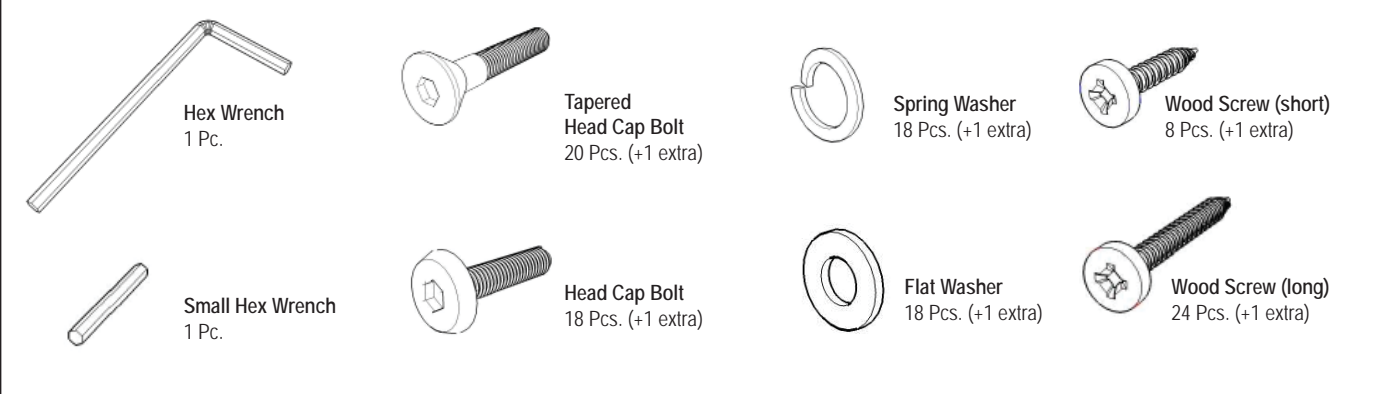
Home
Styles



Part List



Hardware List



Tools required for assembly : Phillips screwdriver

Tools recommended for assembly : Level

Home Styles Consumer Assistance: www.homestyles-furniture.com,
servicedesk@homestyles-furniture.com, 888-680-7460, 877-831-0319

Assembly Instructions 2/4

IMPORTANT

- * Please keep Hex Wrench in a safe place as you may need to tighten up the Head Cap Bolts in the future.
- * Do not tighten up all the screws until each part is properly assembled.
- * Use a soft cloth between these parts and the floor.

STEP 1

Attach Front Frame (F), Front Rail (G) and Back Stretcher (H) to Side Frame (B) with Tapered Head Cap Bolts, Head Cap Bolts, Spring Washers and Flat Washers. (see Figure 1)

Attach Upper Back Frames (K) and Side Frame (C) to unit with Tapered Head Cap Bolts.

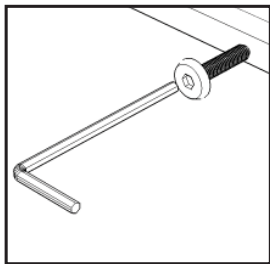
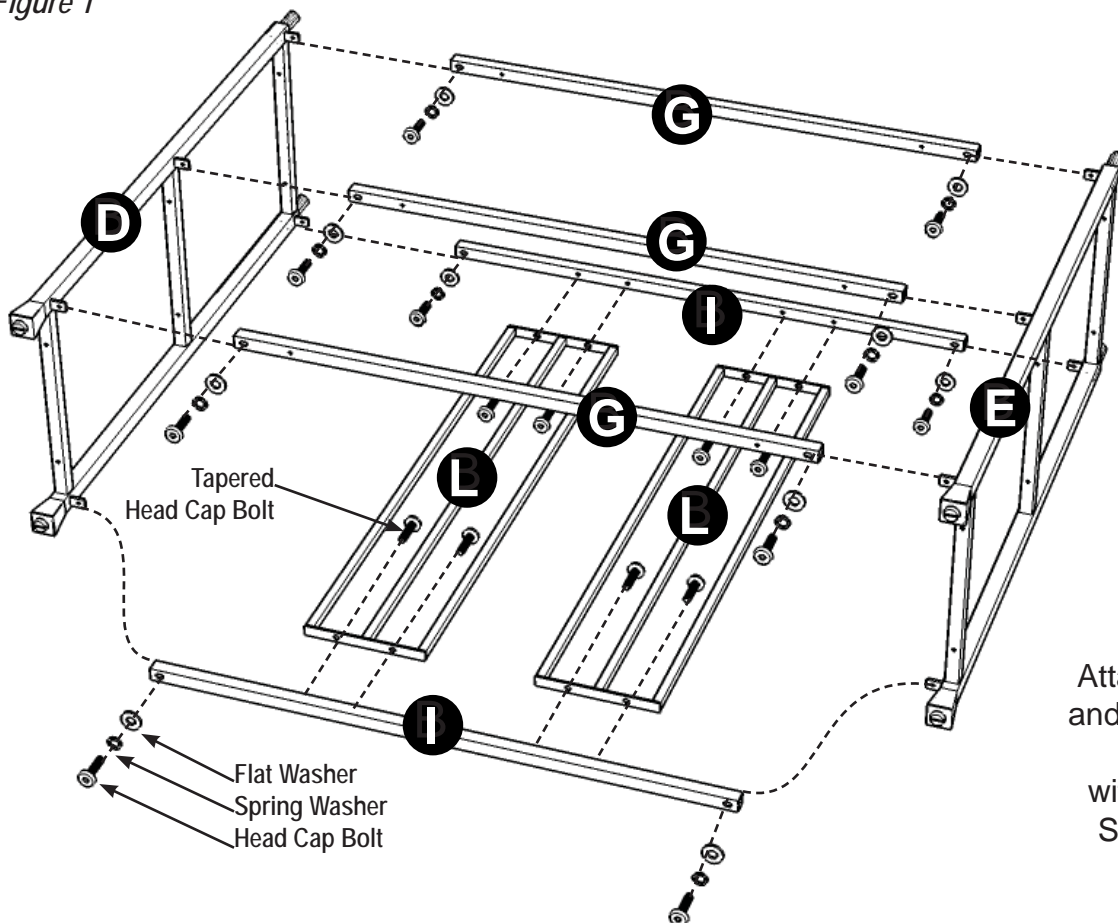
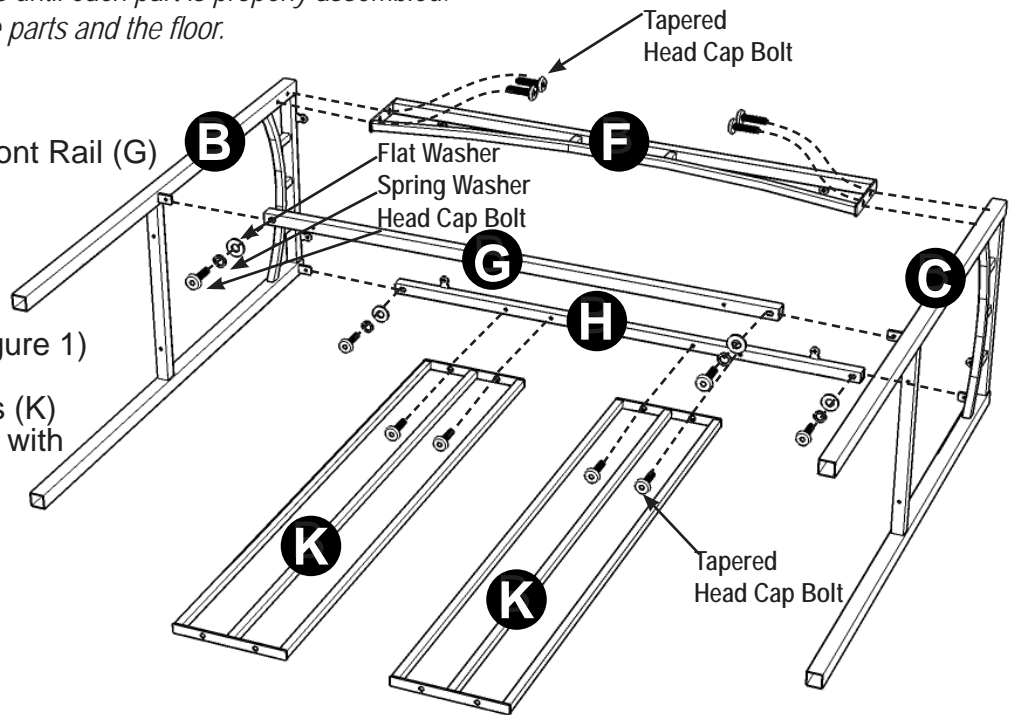


Figure 1



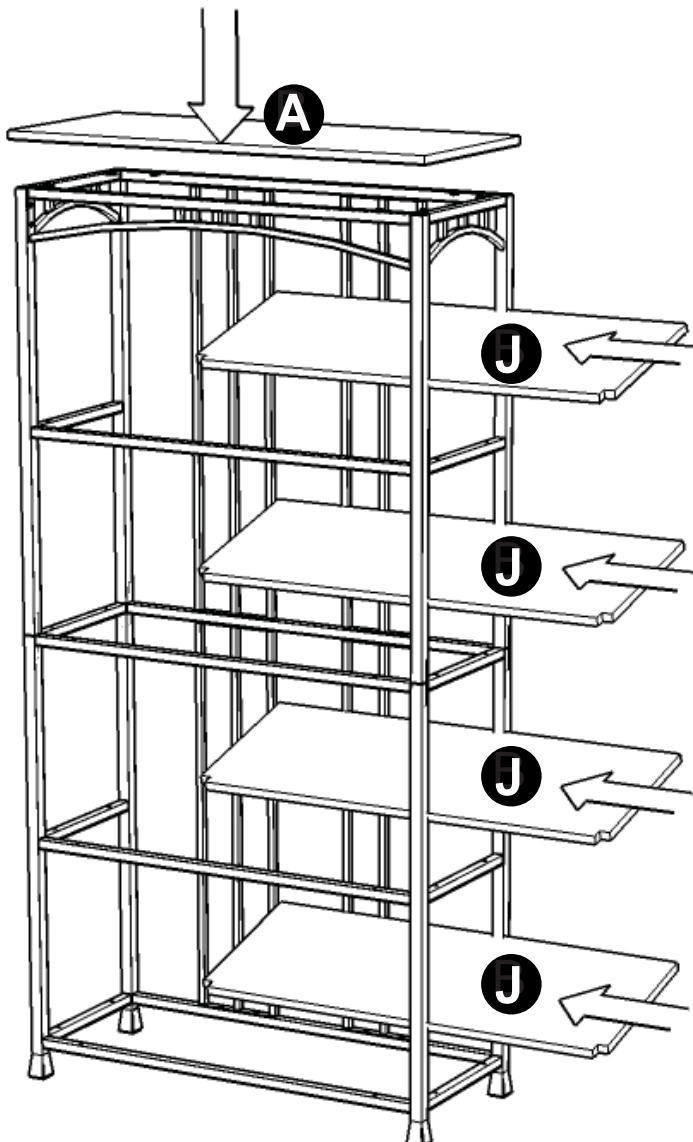
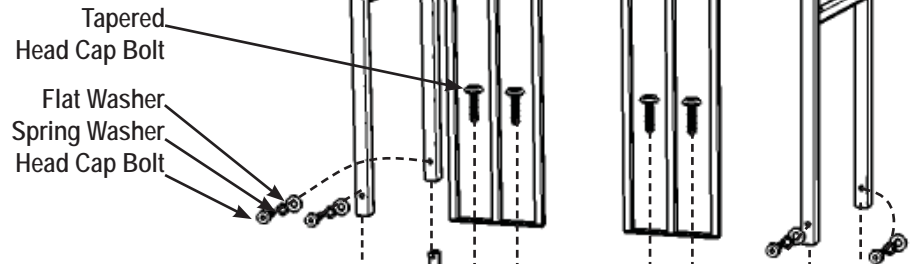
STEP 2

Attach Front Rails (G) and Back Stretchers (I) to Side Frame (D) with Head Cap Bolts, Spring Washers and Flat Washers.

Attach Lower Back Frames (L) and Side Frame (E) to unit with Tapered Head Cap Bolts, Head Cap Bolts, Spring Washers and Flat Washers.

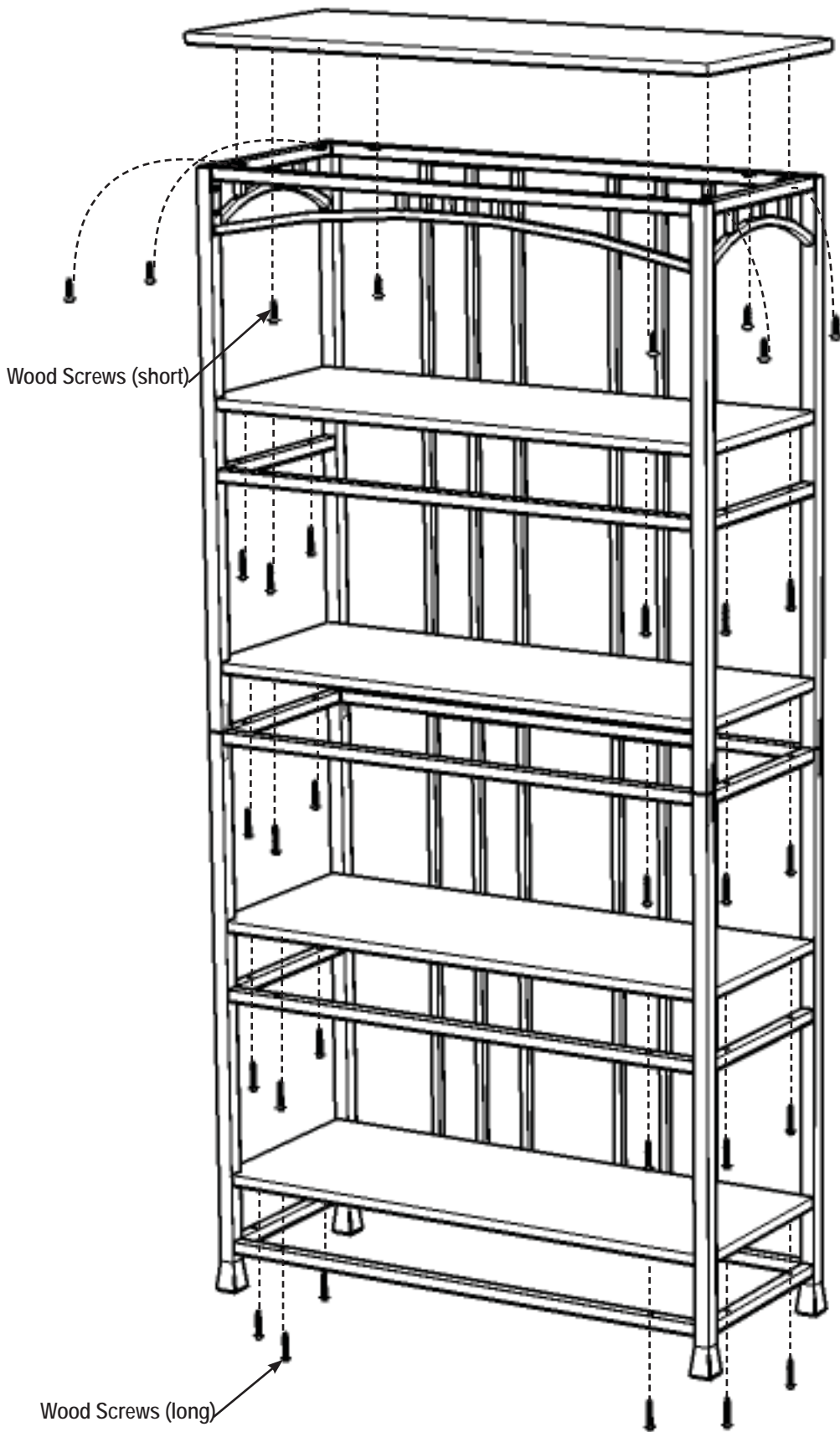
STEP 3

Attach unit from Step 1 to unit from Step 2 with Tapered Head Cap Bolts, Head Cap Bolts, Spring Washers and Flat Washers.



STEP 4

Place Top (A) onto the unit.
Slide Shelves (J) into position.



STEP 4

Attach Top (A) to unit with Wood Screws (short)

Attach Shelves (J) to unit with Wood Screws (long).

To the level the unit, adjust the adjustable levelers on the bottom of leg. (See figure 2)

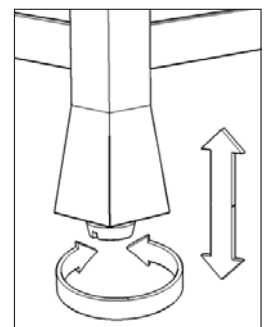


Figure 2

Note: Unit must be level to work properly.