

Double Gas Burner
CombiSet™

CS 1012-1



CS 1012-1 Double Gas Burner



CS 1012-1

Features:

- 2 completely sealed burners:
(1) 6,800 BTU normal burner (front)
(1) 10,230 BTU high-speed burner (rear)
- Available in natural or LP gas configurations
- Electric spark ignition
- Grate design allows easy movement of pots and pans
- Cast iron grate
- Enamelled burner components and pot rests
- Rapid ignition
- Automatic reignition
- Gas tap shut-off after unsuccessful reignition attempts
- Integrates beautifully with other CombiSet™ models

SPECIFICATIONS

CS 1012-1 — Item Gas: 27101253G
Item LP: 27101252LP

Overall Unit Width 11⁵/₁₆" (288mm)

Overall Height 2¹/₄" (57mm)

Overall Depth 20¹/₂" (520mm)

Cut-Out

Minimum Cut-Out Width 10¹¹/₁₆" (272mm)

Minimum Cut-Out Depth 19¹¹/₁₆" (500mm)

Minimum Base Support 17 lbs

Additional Cut-outs Required No

Electrical

Electrical Requirements 120V 15A 60Hz

Power Cord Yes - Molded NEMA 5-15 plug
120V power cord (5' - 1.5m) length

Electrical Rating 25W (120V) only during Ignition

BTU Rating of Front Burner 6,300 BTU

BTU Rating of Rear Burner 10,200 BTU

Fuel Source Natural Gas or LP (Model Specific)

Maximum Gas Pressure Prior to Regulator 1/2" PSI (3.5kPa)

Shipping

Shipping Weight 21 lbs

Shipping Dimensions 24" (610 mm)L x 16" (406 mm) W x
8" (203 mm) H

Notes For CombiSets

Not intended for use with Miele DA 6480 and DA 6490 Downdraft hoods.

Support

Call Miele 800.843.7231

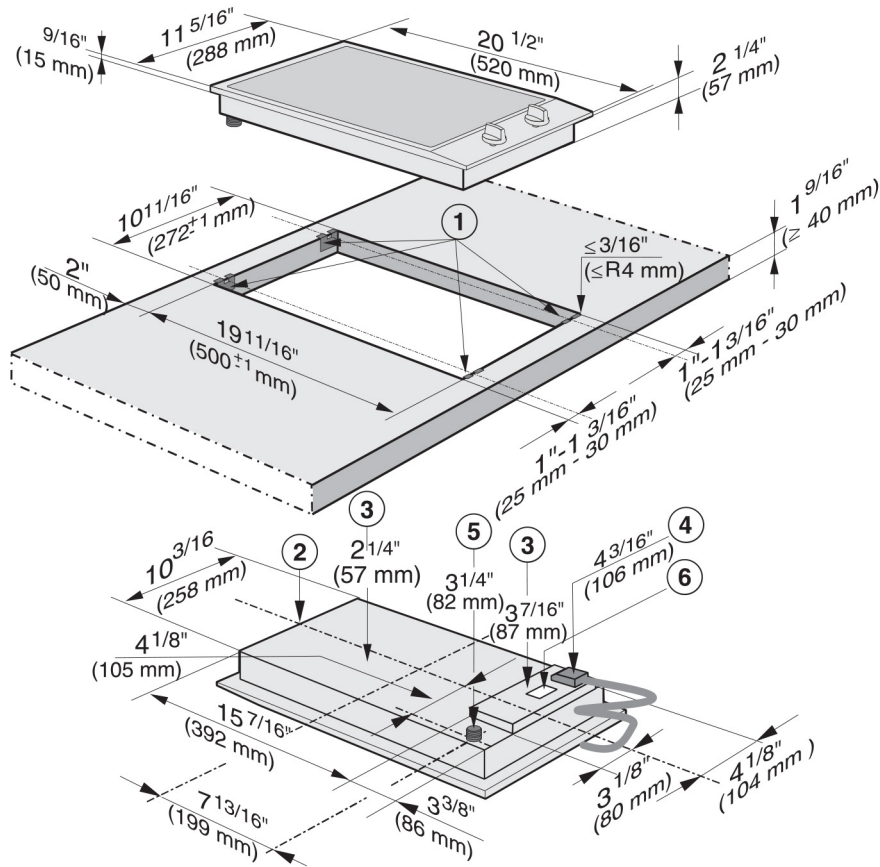
Miele Website www.mieleusa.com

20/20 Link 2020technologies.com

CS 1012-1 Double Gas Burner

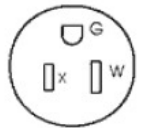
INSTALLATION SPECIFICATIONS

Product and
Cut-Out Dimensions



Location Codes

- 1 – Spring clips
- 2 – Appliance front
- 3 – Installation height
- 4 – Power supply box with connection cable with plug, Length = 47 1/4" (1200 mm)
120 V, 60 Hz, 15 A fuse rating. Actual power consumption (during ignition only) is 25 W. NEMA 5-15
Ensure that the power outlet is accessible after installation
- 5 – 1/2" NPT Gas fitting. The combiset should be ordered for either natural gas or LP gas. For your convenience an AGA or CGA approved flexible stainless steel gas hose (accordion type) may be used between the gas connection and the Miele regulator.
- 6 – Rating label – Ensure that the electrical supply matches the rating. Adhere rating label sticker supplied with the appliance into the manual.

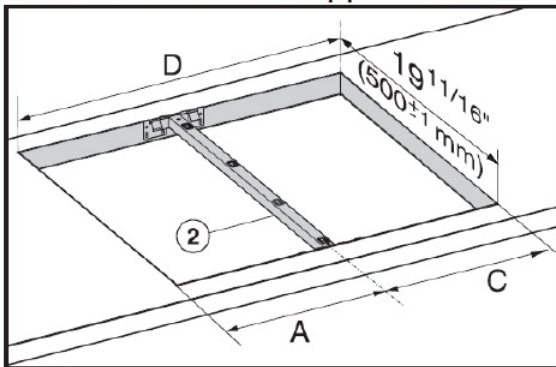


NEMA 5-15

CS 1012-1 Double Gas Burner

INSTALLATION SPECIFICATIONS

**Cut-out Dimensions
For two CombiSet Appliances**

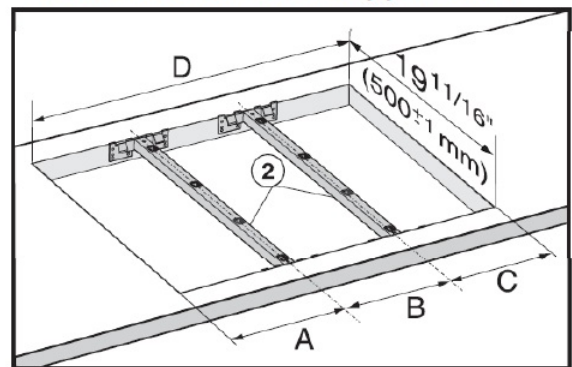


For the installation of **two appliances** the width of the countertop cut-out D is the sum of A and C.

A, B and C = appliance width
11 5/16" or 15"
(288 mm or 380 mm)
minus 5/16" (8 mm) to allow for the overhang

D = width of the countertop cut-out

**Cut-out Dimensions
For three CombiSet Appliances**



For the installation of **three appliances** the width of the countertop cut-out D is the sum of A and B and C.

If **more than three appliances** are being installed, you will need to add, A, B or C for each additional appliance.

Sample calculations for a countertop cut-out for three appliances

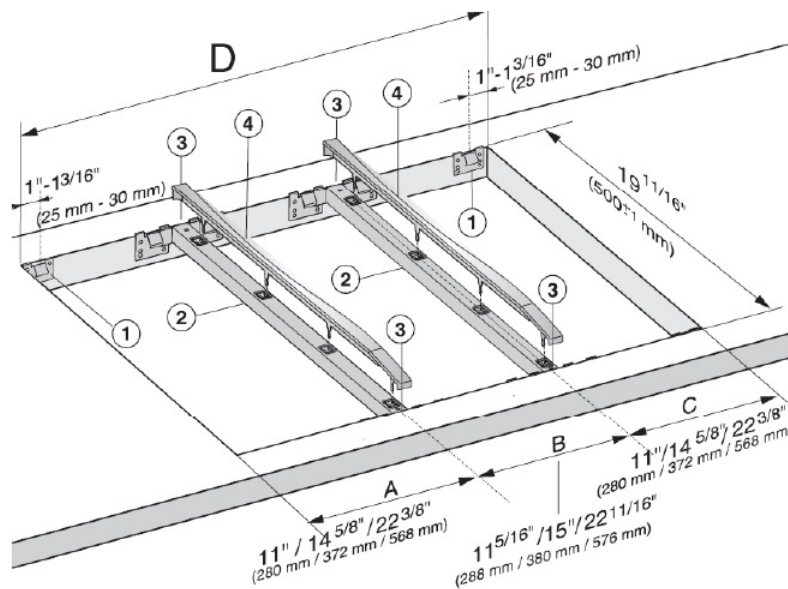
A appliance width minus 5/16" (8mm)	B appliance width	C appliance width minus 5/16" (8mm)	D countertop cut-out
11" (280 mm)	11 5/16" (288 mm)	11" (280 mm)	33 3/8" (848 mm)
11" (280 mm)	15" (380 mm)	14 5/8" (372 mm)	40 5/8" (1032 mm)
14 5/8" (372 mm)	11 5/16" (288 mm)	11" (280 mm)	37" (940 mm)
14 5/8" (372 mm)	15" (380 mm)	14 5/8" (372 mm)	44 1/4" (1124 mm)

Location codes

2 – Support bars (Accessory, Item - 27996029D CSZL 1500 (Includes cover))

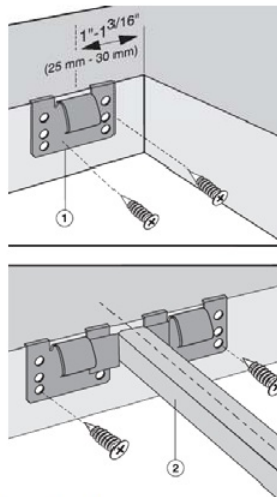
CS 1012-1 Double Gas Burner

INSTALLATION SPECIFICATIONS

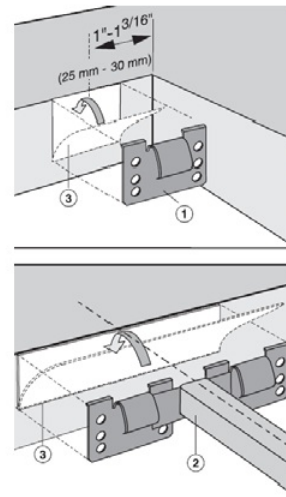


The illustration above represents the attachment of spring clips 1 and support bars 2 for 3 appliances

An additional support bar is required for each additional appliance. The position for the attachment of an additional support bar depends on the width of appliance B.



Spring Clip installation on wood or solid surface countertop
Place the supplied spring clips 1 and the support bars 2 at the marked positions as shown above, by laying them on the upper edge of the cut-out and then securing them with the 1/8" x 1" (3.5 x 25 mm) screws (supplied)



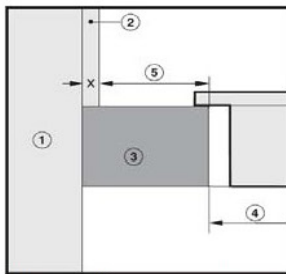
Spring Clip installation on a granite countertop
Position and attach the spring clips 1 and the support bars 2 with strong double-sided tape 3
Coat the side and lower edges of the spring clips with silicone.
Fill the space between the support bars and the countertop with silicon

Location Codes

- 1 – Spring Clips
- 2 – Support bars (Accessory, item - 27996029D CSZL 1500 (Includes cover 4))
- 3 – Space between support bar and countertop
- 4 – Cover

CS 1012-1 Double Gas Burner

Safety distances to back wall



- 1 – Wall frame
- 2 – Wall covering
- x = thickness of the wall covering**
- 3 – Countertop
- 4 – Countertop cut-out
- 5 – Minimum safety distance
- with flammable materials 2" (50 mm)
- with non-flammable materials 2" (50 mm) minus x

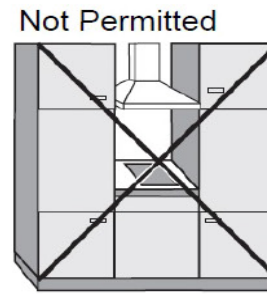
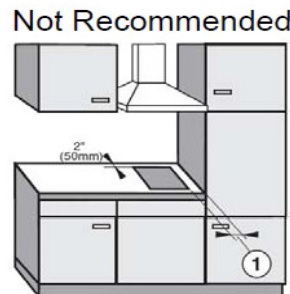
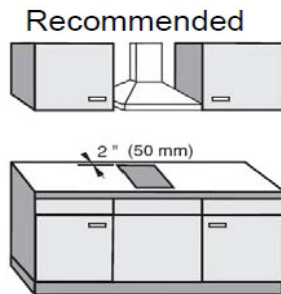
If a wall covering is installed, a minimum safety distance must be maintained between the countertop cut-out and the covering, since high temperatures can damage these materials.

If the covering is made of a combustible material (such as wood), the distance between the countertop cut-out and the wall covering must be a minimum of 2" (50 mm).

For coverings made of non-combustible materials (such as metal, marble, granite or ceramic tiles) the minimum safety distance between the countertop cut-out and the wall covering must be 2" (50 mm) minus the thickness of the covering.

For example: thickness of wall covering 9/16" (15 mm) 2" (50 mm) - 9/16" (15 mm) = minimum safety distance 1 3/8" (35 mm).

Safety distances to surrounding cabinetry



The appliance should only be installed as shown in the above illustrations while maintaining the required safety distances shown. Do not install the appliance between two tall cabinets, this is a fire hazard.

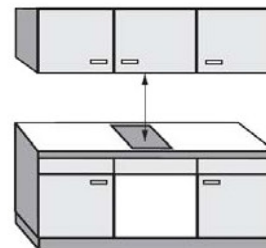
A distance of at least 2" (50 mm) must be kept between the countertop and the rear wall because of high temperature radiated.

The minimum distance required from the countertop cut-out to a side wall or tall cabinet right or left 10" (250 mm) (Location code 1)

Safety distance above the appliance

The minimum safety distance given by the hood manufacturer must be maintained between the combiset and the hood above it. See the installation instructions for the hood for these safety measurements.

If the hood manufacturers instructions are not available or if flammable objects are installed over the combiset (e.g. cabinets, utensil rail, etc.), a minimum safety distance of 30" (760 mm) must be maintained.



Indoor use

The combiset must not be installed over a dishwasher, wine storage, refrigerator or freezer. Heat radiated by the combiset may damage the appliances.

Deep fat fryers must not be installed directly next to a gas combiset. A minimum distance of 11 5/16" is required.

The appliance must not be permanently sealed into the countertop when installed. The sealing strip under the edge of the appliance provides a sufficient seal for the countertop.

All installations must be done in accordance with local codes.