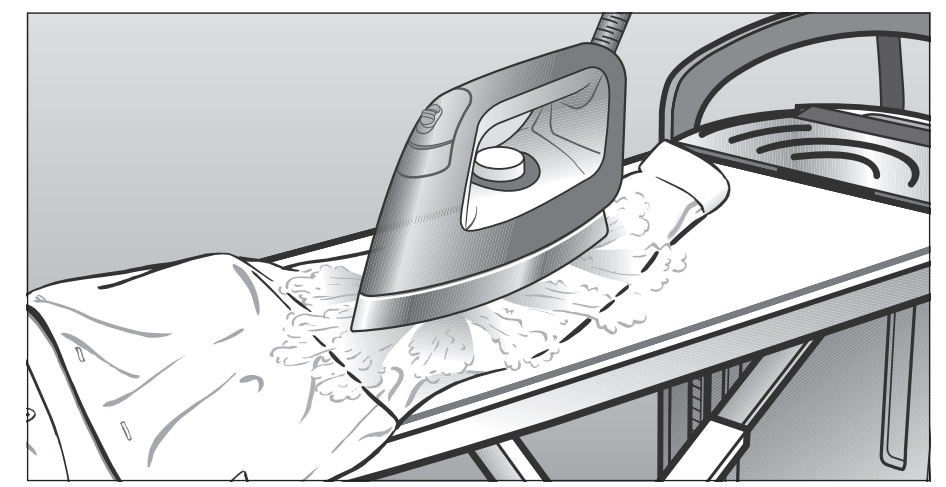


Quick Start Guide Steam Ironing System FashionMaster



These short instructions are **not** a substitute for the operating instructions supplied with the appliance!
It is essential to familiarize yourself with the steam ironing system before using it for the first time. Take note of the operating instructions, as well as the "IMPORTANT SAFETY INSTRUCTIONS".

Frequently asked questions

Display message	Possible cause and solution
⚠ Drain valve fault Switch on/off	The descaling or rinsing processes have not been carried out properly. <ul style="list-style-type: none"> Press the \odot button to switch the steam ironing system off and then back on again. If the fault message continues to be displayed, contact Miele Service.
⚠ Release steam button	The iron has switched itself off because it has not been used for a period of time and the steam button $\overline{\sigma}$ has locked. <ul style="list-style-type: none"> Unlock the steam button $\overline{\sigma}$ by pushing the slider for continual steam on the iron forward.
⚠ Drain valve fault Switch on/off	The residual water container has not been detected. <ul style="list-style-type: none"> Press the \odot button to switch the steam ironing system off and then back on again. <p>After switching the steam ironing system off and back on, the residual water container has not been detected.</p> <ul style="list-style-type: none"> Press the \odot button to switch the appliance off. Clean and dry the metal disks (contacts) on the residual water container. Use the \odot button to switch the steam ironing system back on and follow the instructions shown in the display: Remove the residual water container and fill it with fresh tap water. Put the filled residual water container back in the tower. Remove the residual water container again when you are prompted to do so by the appropriate message in the display. Empty and dry the residual water container. Put the empty residual water container back in the tower. <p>The steam ironing system is ready for use again and continues with the process that had been started when the fault was detected.</p> <p>There is a fault with the steam ironing system.</p> <ul style="list-style-type: none"> If the fault message continues to be displayed, contact Miele Service.

Frequently asked questions

Problem	Possible cause and solution
When using the steam button $\overline{\sigma}$ on the iron, drops of water or deposits escape from the steam nozzles.	The temperature selected is too low. <ul style="list-style-type: none"> Set the temperature selector on the iron to at least temperature setting <i>Silk/Wool</i>.
	The iron has not yet reached the selected temperature. <ul style="list-style-type: none"> Wait until the iron has reached the selected ironing temperature.
	During a longer ironing break, condensation has accumulated in the steam hose. <ul style="list-style-type: none"> After a break in ironing, do not direct the first burst of steam onto the garment. <p>Deposits have formed in the soleplate. <ul style="list-style-type: none"> Rinse the soleplate as described in "Automatic descaling". </p>
The fan on the ironing board is not running.	Steam was not used. <ul style="list-style-type: none"> The fan only runs when the steam function on the iron is activated
	The steam is not ready yet. <ul style="list-style-type: none"> Wait until the message "Ready" appears in the display to indicate that steam is ready.
	The water container is empty or missing. <ul style="list-style-type: none"> Refill the water container with fresh tap water and replace it in the tower.
	The steamer is connected to the steam ironing system. <ul style="list-style-type: none"> The fan only runs when the iron is connected. Connect the iron if required.
	There is a fault with the steam ironing system. <ul style="list-style-type: none"> Contact Miele Service.

Frequently asked questions

With the help of the following guide, minor faults in the performance of the appliance, some of which may result from incorrect operation, can be remedied without contacting the Service Department. For further details, see the operating instructions.

Problem	Possible cause and solution
The steam ironing system cannot be switched on.	The appliance does not have any power. <ul style="list-style-type: none"> Check whether <ul style="list-style-type: none"> the plug is plugged in. the fuse in your fuse panel is OK.
The height of the ironing board cannot be adjusted.	The ironing board is not locked into place on both sides of the tower. <ul style="list-style-type: none"> Use both hands to pull the ironing board upwards into a horizontal position until this audibly clicks into place on both sides of the tower.
The iron does not heat up.	The appliance is switched off. <ul style="list-style-type: none"> Use the \odot button on the control panel to switch the steam ironing system on.
	The steam hose is not plugged in properly. <ul style="list-style-type: none"> Plug the steam hose into the steam connection on the tower again.
	The iron has not been used for some time. <ul style="list-style-type: none"> Move the iron or activate the steam button $\overline{\sigma}$.
	The steam button $\overline{\sigma}$ is locked. <ul style="list-style-type: none"> Unlock the steam button by pushing the slider on the iron forward.
	The temperature set on the temperature controller has already been reached. <ul style="list-style-type: none"> Set the temperature controller to a higher temperature if necessary.
	The appliance is rinsing. <ul style="list-style-type: none"> Wait until the rinsing process has been completed (see "Automatic rinsing").
The display is indicating a malfunction. <ul style="list-style-type: none"> Please remedy the indicated fault as described in the operating instructions. 	
	The steam ironing system is damaged. <ul style="list-style-type: none"> Contact Miele Service.

Automatic descaling

- Set the temperature selector on the iron to *cold* so that the line on the selector is pointing to the indicator light.
- Plug the steam hose of the iron into the steam connection on the tower.
- If the steam ironing system is switched off, switch it on now.

As soon as the steam ironing system is ready for use and steam is available, proceed with the next step.

- Hold the iron over a sink or a heat-resistant container.

During the rinsing process, hot water and steam come out of the iron.
Danger of injury by burning. Never direct the iron at people, animals or electrical appliances of any kind.

- Press the $\overline{\sigma}$ button on the iron for around a minute and tilt the iron, with the tip of the iron pointing downward slightly.

Hot water and steam will come out of the iron and dislodge any deposits that have built up. As soon as there is only steam coming out, you can release the $\overline{\sigma}$ button.

- Now set the temperature selector on the iron to the highest temperature setting *Linen/Cotton*.

The indicator light on the temperature selector will light up yellow while the iron is heating up. As soon as the indicator light goes out, the rinsing process is complete.

- Move the iron over a soft, absorbent cotton cloth while it is still hot. Press the $\overline{\sigma}$ steam button briefly 2-3 times in the process.

The descaling process is now complete. The steam ironing system can now be switched off or used.

Finish

Automatic descaling

Emptying the residual water container

- Set the steam ironing system to its highest working position in order to remove the residual water container when prompted to do so.
- Remove the residual water container from the tower.
- Drain the residual water container.
- Clean and dry the residual water container.

Make sure that the metal disks (contacts) at the top of the residual water container are cleaned and dried properly.

- Slide the residual water container back into the tower until the container clicks into place.

Clean the water container and fill it up to the level marking

- Remove the residual water container out of the tower when prompted to do so.
- Rinse the water container thoroughly. Make sure there are no residues of the descaling tablets remaining in the water container.
- Fill the water container with fresh water at least up to the level marking.
- Put the water container back into the tower.

Descaling

After an activation period of approx. 1 hour, the descaling solution is drained from the steam generator into the residual water container.

The steam generator is then rinsed with water. This rinse cycle takes approx. 5 minutes. During this time, the "Rinse (5 min.)" message is displayed.

During the rinsing cycle, the display shows "Rinsing".

As soon as the rinse cycle is completed, the water is drained completely into the residual water container and the message "Empty residual water container" is displayed.

Rinsing the soleplate

The iron must not be warm from previous use. Let the iron cool down for at least 60 minutes before rinsing the soleplate.

- Make sure that the non-stick soleplate has been removed from the iron.

If the non-stick soleplate is still on the iron, remove it now.

- Refill the water container with fresh tap water.

Automatic rinsing / descaling

Start Automatic rinsing

- Adjust the steam ironing system to its highest working height.
- If the message "Fill water container" is shown in the display, fill the water container (see "Filling the water container").
- If the message "Empty residual water container" is shown in the display, remove and empty the residual water container.
- Clean and dry the residual water container.

Make sure that the metal disks (contacts) at the top of the residual water container are cleaned and dried properly. These metal discs send a signal to the steam ironing system when the residual water container is full or if it is inserted into the tower.

The discs will not function correctly if they are dirty or damp.

- Slide the residual water container back into the tower until the container clicks into place.

Finish

Automatic descaling

The steam ironing system must be descaled regularly to ensure that it functions correctly.

The messages in the display will guide you through the descaling process. The entire descaling process takes approx. 90 minutes.

To optimize the descaling process, start the procedure while the system is still cold after switching the steam ironing system on.

This way, you avoid a delay of up to 3 hours that may be caused by the cool-down phase.

Start

- Remove the steam hose of the iron or the steamer from the steam connection on the tower.
- Select "Descale".
- Confirm the selection by pressing the OK button.
- Select "Start descaling".
- Confirm the selection by pressing the OK button.

Filling with descaler

- Fill the water container with fresh water up to the level marking.
- Add 1 descaling tablet to the water container.
- Press the OK button to display the next process step.
- Put the water container back into the tower.
- Follow the instructions in the display.

Frequently asked questions

Frequently asked questions

AUTOMATIC RINSING / AUTOMATIC DESCALING

Before using for the first time

When using the steam ironing system for the first time the water hardness level must be set. Make sure the correct water hardness level is set. An incorrect setting will invalidate all warranty claims. Please read the separate Operating Instructions supplied with the appliance.

Setting the water hardness level



Confirm the display message "Set water hardness level" by pressing the OK button.

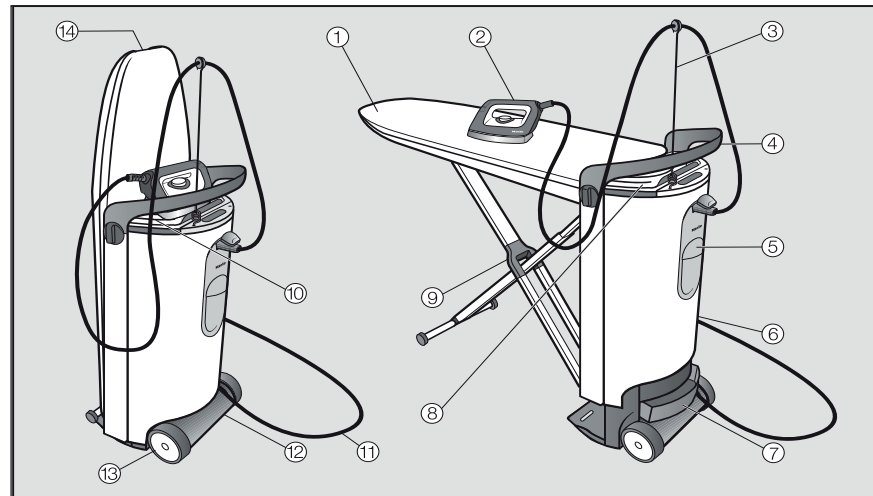


Use the arrow buttons \wedge or \vee on the control panel to set the water hardness level for your household (see chart in "Before using for the first time" in the Operating instructions).



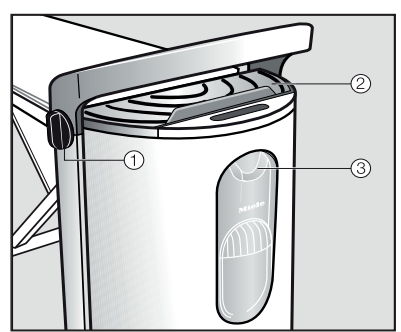
Confirm your selection by pressing the OK button. The steam ironing system is now set for the specified water hardness.

Description

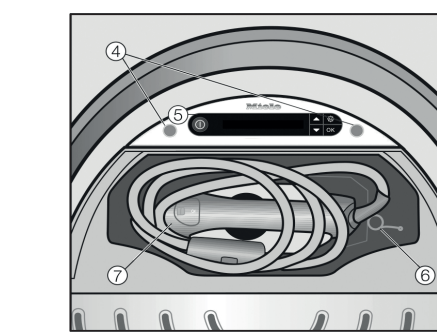


- 1 Ironing board
- 2 Iron with steam hose
- 3 Steam hose holder
- 4 Handle
- 5 Water container
- 6 Tower
- 7 Residual water container
- 8 Storage compartment (upper) For the iron and Steam hose holder.
- 9 X-Frame for the ironing board
- 10 Iron resting surface
- 11 Power cord
- 12 Storage compartment (lower) For the power cord, Steamer*, anti-stick soleplate and clip for the power cord.
- 13 Wheels
- 14 Release mechanism For setting up the steam ironing system.

* Standard equipment for steam ironing system B 3847. Available as optional accessory for steam ironing systems B 3312 and B 3826.



- 1 Rotary dial for height adjustment and folding the appliance away
- 2 Iron resting surface
- 3 Steam connection



- 4 Steam hose holders
- 5 Control panel
- 6 Steam hose holder
- 7 Iron with steam hose

Assembly

1. Set up steam Ironing system

Use one hand to pull the release mechanism upwards. This releases the locking mechanism of the ironing board and the X-frame folds down.

Hold onto the release mechanism and guide the ironing board into a position of approx. 45°.

Use both hands to pull the ironing board upwards into a horizontal position until this audibly clicks into place on both sides of the tower.

Ensure the ironing board has locked into place on both sides of the tower. The height adjustment only works if both sides of the appliance have locked into place.

2. Height adjustment

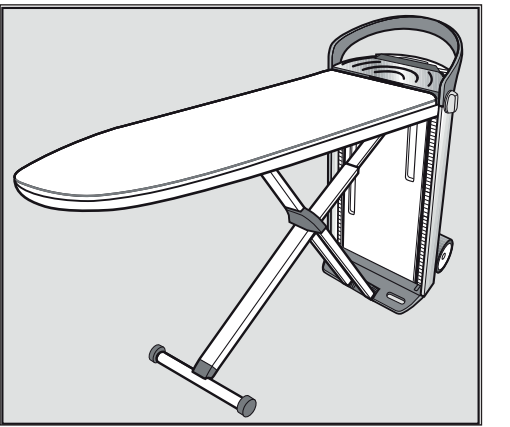
The steam ironing system can be adjusted to suit your personal preference.

Use one of the rotary dials located on the side of the tower handle. Turn the dial in the \rightleftarrows direction and hold the dial in position.

At the same time, pull the handle on the tower upwards with the other hand up or press the handle down.

Do not push down on the ironing board while adjusting the height.

When you have reached your desired working height, release the rotary dial. The rotary dial will spring back into the center position. The ironing board remains in this position by itself.



This is how the steam ironing system is set up.

3. Connection

Open the (lower) storage compartment by swinging the lid downwards.

Remove the power cord from the compartment. Insert the power plug into a suitable grounded outlet.

Guide the power cord through the groove in the cover. Close the storage compartment.

Open the lid of the (upper) storage compartment on the tower. Take out the iron and the steam hose holder and close the storage compartment.

Plug the steam hose holder into one of the sockets provided. Plug the steam hose into the steam connection on the tower to connect the iron.

Guide the steam hose on the rubber ring into the steam hose holder. Always place the iron on the resting surface before you start ironing and when you take a break from ironing.

Switching on / filling the water container

Switching on the steam ironing system



Press the I button on the control panel on the tower. The I button is illuminated and the Welcome screen appears for several seconds in the display. The message "Pre-heating phase" then appears on the display. The steam ironing system starts to heat up. As soon as the steam ironing system is ready and steam is available, the message "Ready" will be displayed.

Filling the water container

Never attempt to use distilled water to fill the water container. This can cause the steam ironing system to malfunction. Do not use water from a water softener system. Do not use condensate (e.g. from other appliances such as air conditioning units, dryers). Never use rainwater. Do not use additives, (e.g. perfumes, ironing water, starch, carbon dioxide).

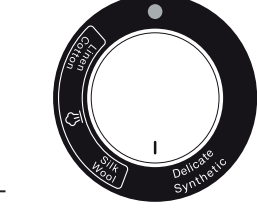
If the water container is empty or not installed in the tower, the message "Fill the water container" is displayed.

Hold the water container by its handle. Pull the handle downwards. The water container is released from the retainer. Pull the water container upwards and out.

Open the twist lock at the rear of the water container by turning the lock to the left (counterclockwise). Remove the twist lock. Refill the water container with fresh tap water. Close the twist lock by turning it to the right (clockwise) as far as it will go. Put the water container back into the tower. The water container can be removed and refilled at any time (even during the ironing process).

Ironing / Switching off

Selecting the ironing temperature



Set the temperature selector to the required temperature setting.

Care label (on the garment)	Ironing with steam for best results (Material / Temperature setting)	Ironing without steam (Material / Temperature setting)
Low temperature	With non-stick soleplate Minimum iron, synthetics, appliquéés, prints, flocking, etc.	Minimum iron, synthetics
Medium temperature	Wool, silk	
High temperature	Linen, cotton	
	Do not iron	

The temperature settings are indicated on the scale of the selector. When selecting the temperature levels *Silk/Wool* and *Linen/Cotton* you can use steam when ironing.

Switching off the steam ironing system

To switch off the steam ironing system, press the I button on the control panel. The illuminated I button goes out.

When putting the steam ironing system away: Remove the plug from the socket. Store the power cord in the (lower) compartment or hang it up on the cord clip.

Dismantling

Dismantling the steam ironing system

To dismantle the steam ironing system, the ironing board must first be placed at its lowest working height.

Turn one of the rotary dials on the side of the tower handle as far as it will go in the \rightleftarrows direction. Hold the rotary dial in the \rightleftarrows position. The height of the ironing board can now be adjusted.

Keep holding the rotary dial in the \rightleftarrows position and, simultaneously, use the handle of the tower to push the ironing board down as far as possible.

Never push on the ironing board to push it down.

Release the rotary dial. The rotary dial will spring back into the center position. Turn one of the two rotary dials to the \rightleftarrows position as far as it will go. The ironing board is now unlocked.

Release the rotary dial. The rotary dial will spring back into the center position. Guide the ironing board downwards or allow it to slide down by itself. The ironing board remains in this position by itself.

Push the ironing board up by the tapered end until it is upright and locks into position on the tower.

Push the protruding end of the X-frame onto the ironing board until the frame locks into place.