

GR366



FEATURES

Control temperature precisely with six dual-stacked, sealed gas burners for higher highs, lower lows

Enjoy quicker heat and more even cooking with this large capacity gas convection oven

Clean up splashes and spills easily with the seamless, sealed, black porcelain-coated burner pans

Produce crisper crusts and faster sears with the powerful infrared interior broiler

Re-ignites flame automatically with our spark ignition system for improved temperature control and added safety

Move pots and pans easily across continuous cast-iron grates

Find your kitchen style with a choice of iconic red, black, or brushed stainless control knobs

ACCESSORIES

2-Burner Wok Grate

Bake Stone Kit

Filler Trim

Front Leg Covers

Full-Extension Ball Bearing Rack

S-Grates

Stainless Steel Kickplate

Stainless steel, brass or chrome bezels

High altitude conversion kits available

Signature red, black or stainless steel control knobs

5" and 10" stainless steel risers, and 20" riser with shelf

Accessories available through an authorized dealer.

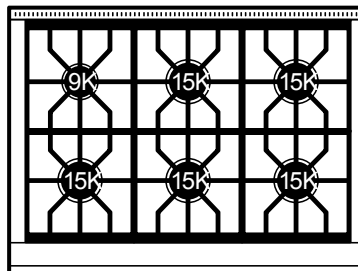
For local dealer information, visit subzero-wolf.com/locator.



KNOB OPTIONS



TOP CONFIGURATION



RANGETOP SPECIFICATIONS

- 1 - 9,200 Btu burner
- 5 - 15,000 Btu burners

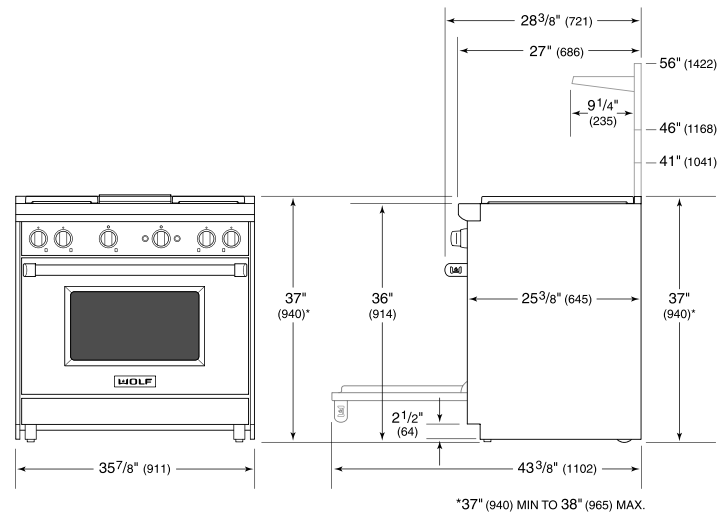
OVEN INTERIOR SPECIFICATIONS

- 30,000 Btu oven burner
- 18,000 Btu oven broiler

PRODUCT SPECIFICATIONS

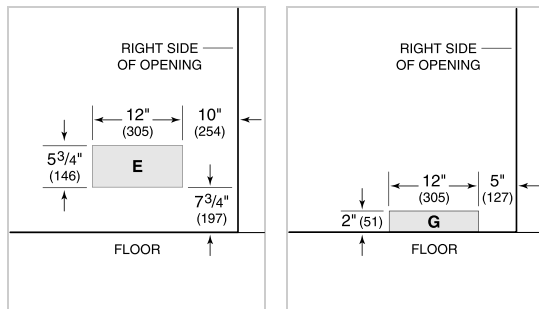
| | |
|----------------------------|----------------------------|
| Model | GR366 |
| Dimensions | 35 7/8"W x 37"H x 28 3/8"D |
| Oven 1 Interior Dimensions | 30"W x 18 5/8"H x 17"D |
| Oven 1 Usable Capacity | 3.7 cu. ft. |
| Oven 1 Overall Capacity | 5.5 cu. ft. |
| Door Clearance | 19 1/2" |
| Electrical Supply | 110/120 VAC, 50/60 Hz |
| Electrical Service | 15 amp dedicated circuit |
| Gas Supply | 3/4" ID line |
| Gas Inlet | 1/2" NPT female |
| Receptacle | 3-prong grounding-type |

DIMENSIONS



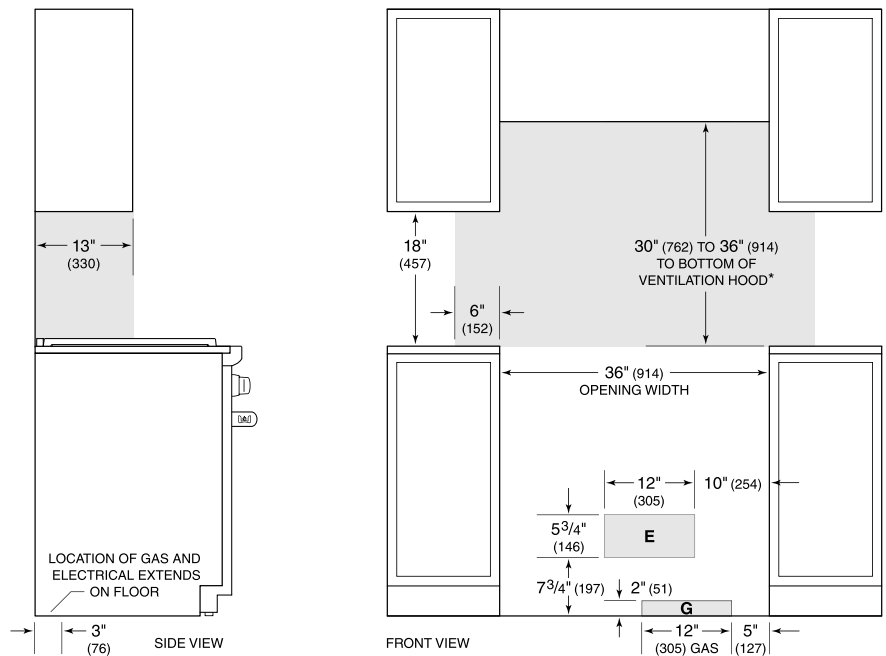
ELECTRICAL

GAS



NOTE: Dimensions in parenthesis are in millimeters unless otherwise specified

STANDARD INSTALLATION



*Without ventilation hood, 42" (1067) minimum clearance countertop to combustible materials, charbroiler and GR488 require non-combustible materials.

NOTE: Shaded area above countertop indicates minimum clearance to combustible surfaces, combustible materials cannot be located within this area.

For island installation, 12" (305) minimum clearance back of range to combustible rear wall above countertop.