

# 88 5528 651

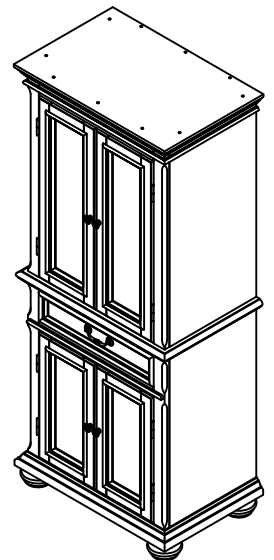
## Colonial Classic Pantry

### IMPORTANT NOTE

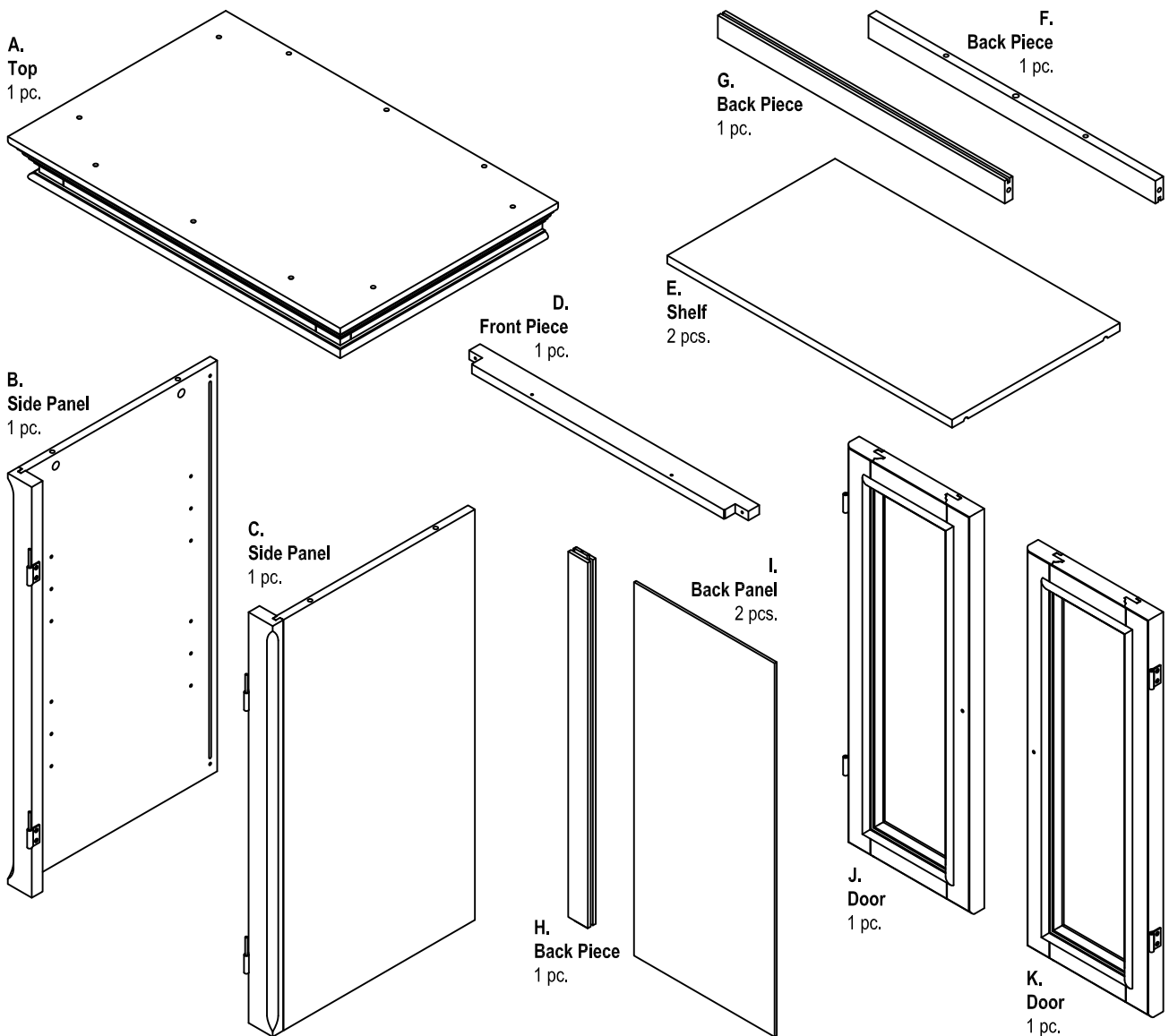
Carefully remove all the parts from the carton and put them individually on a soft cloth to prevent scratches or other damages occurring to the parts.

We have taken great care in the design of this product and request that you carefully and strictly follow our assembly instructions to ensure a completed product as it was designed.

*Home  
Styles*



## Part List



Also need the Parts and Hardware in carton 88 5528 652

Tools Required For Assembly : Phillips screwdriver

Tools Recommended For Assembly : Level

**Home Styles Consumer Assistance:** [www.homestyles-furniture.com](http://www.homestyles-furniture.com),  
[servicedesk@homestyles-furniture.com](mailto:servicedesk@homestyles-furniture.com), 888-680-7460, 877-831-0319

# Assembly Instructions 2/14

## IMPORTANT

- \* Do not tighten up all the screws until each part is properly assembled.
- \* Use a soft cloth between these parts and the floor.
- \* After assembly, item must be level to work properly.  
Use the included adjustable levellers to level.

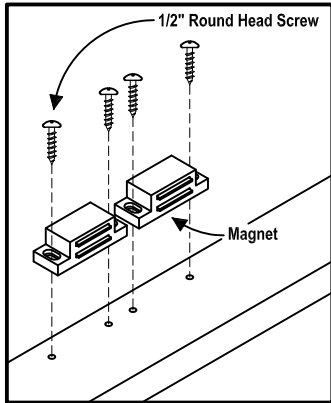
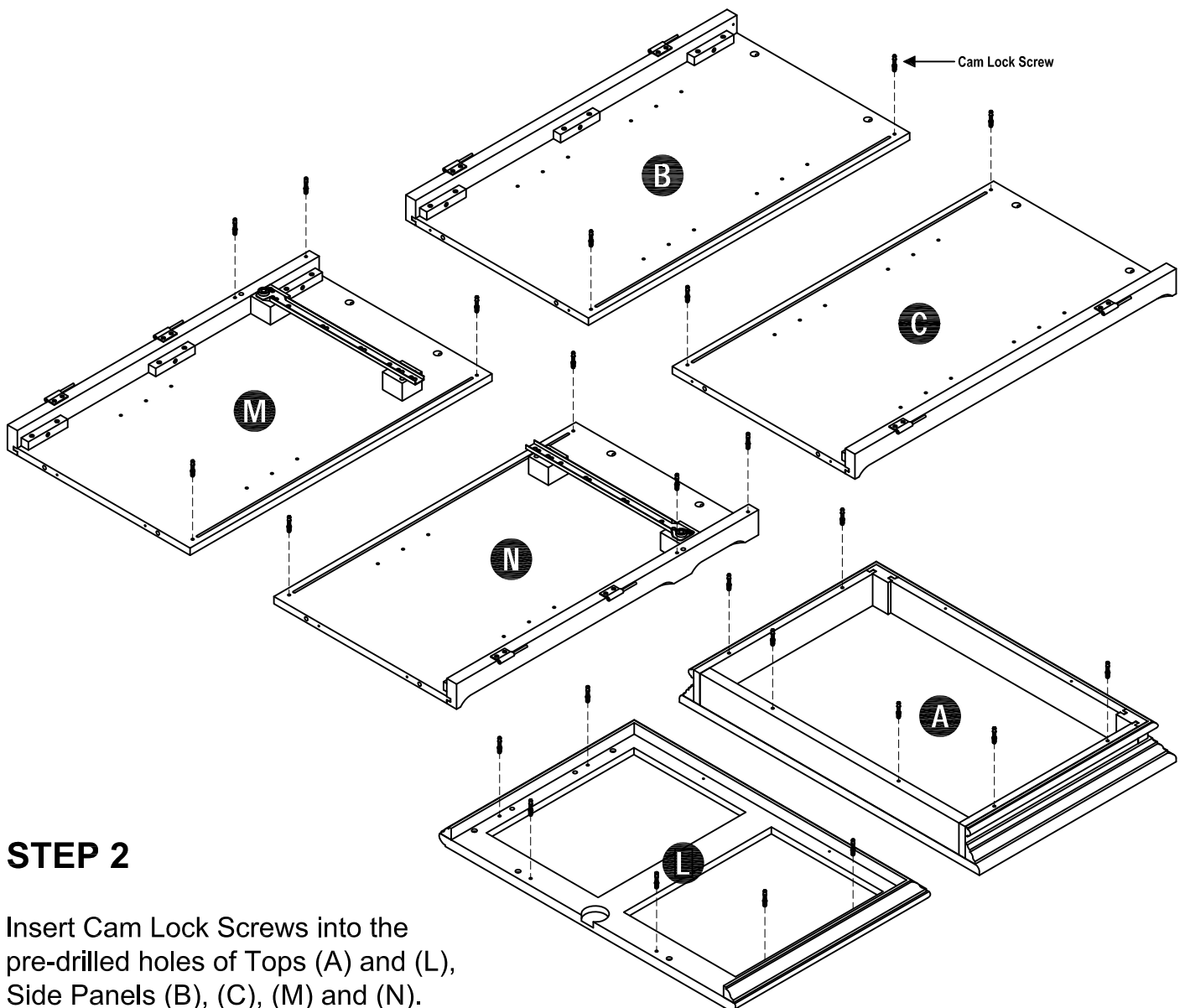
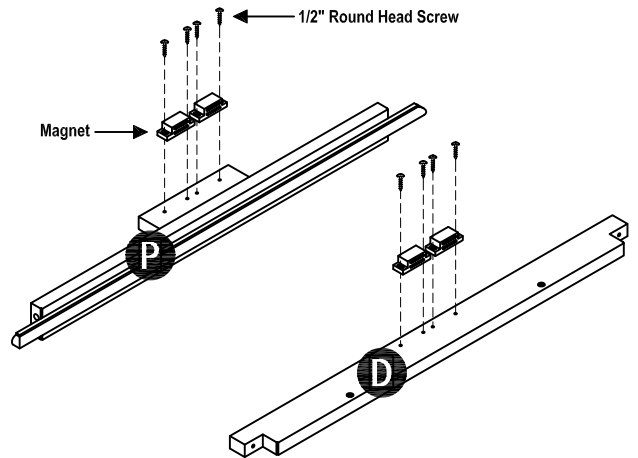


Figure 1

## STEP 1

Attach Magnets to Front Pieces (D) and (P) with 1/2" Round Head Screws. (see Figure 1)



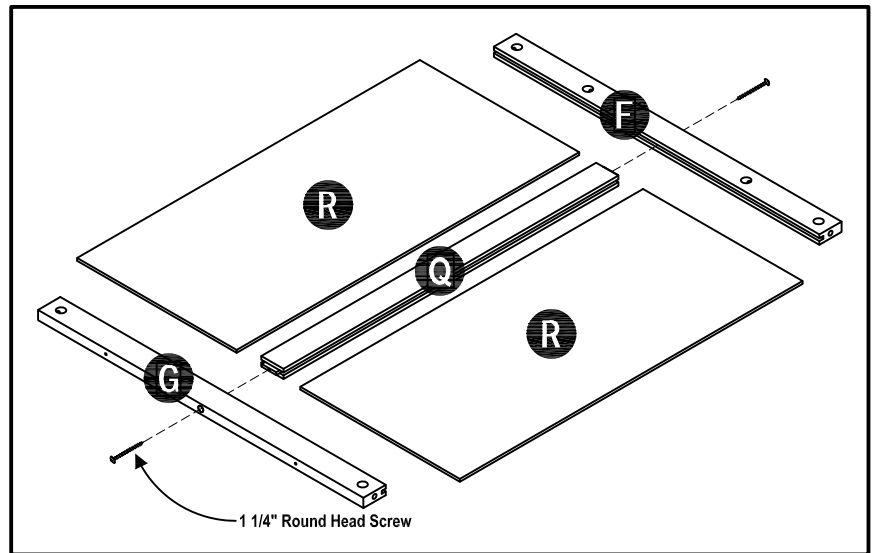
## STEP 2

Insert Cam Lock Screws into the pre-drilled holes of Tops (A) and (L), Side Panels (B), (C), (M) and (N).

## STEP 3

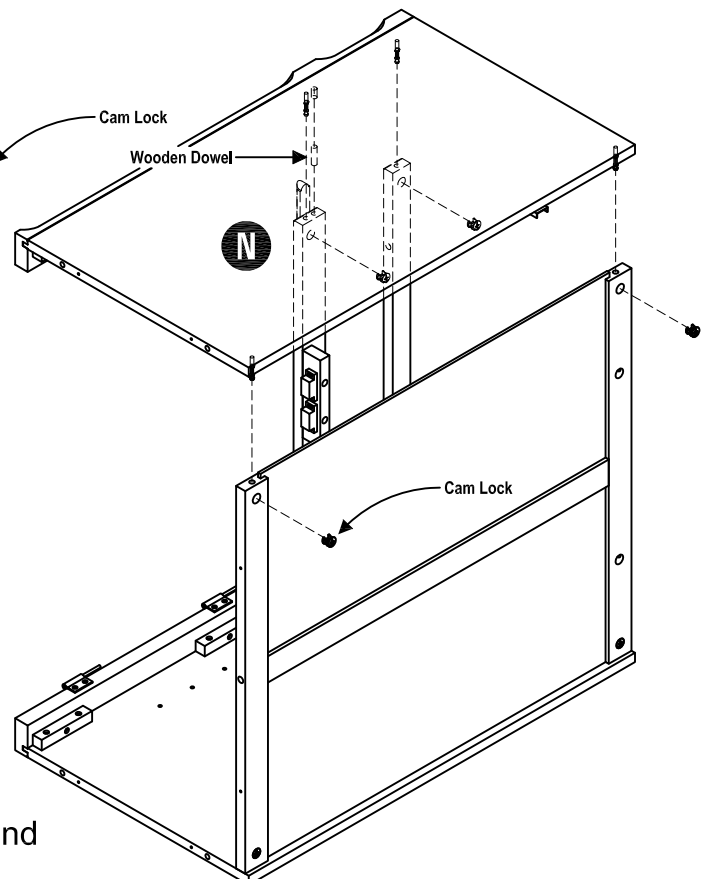
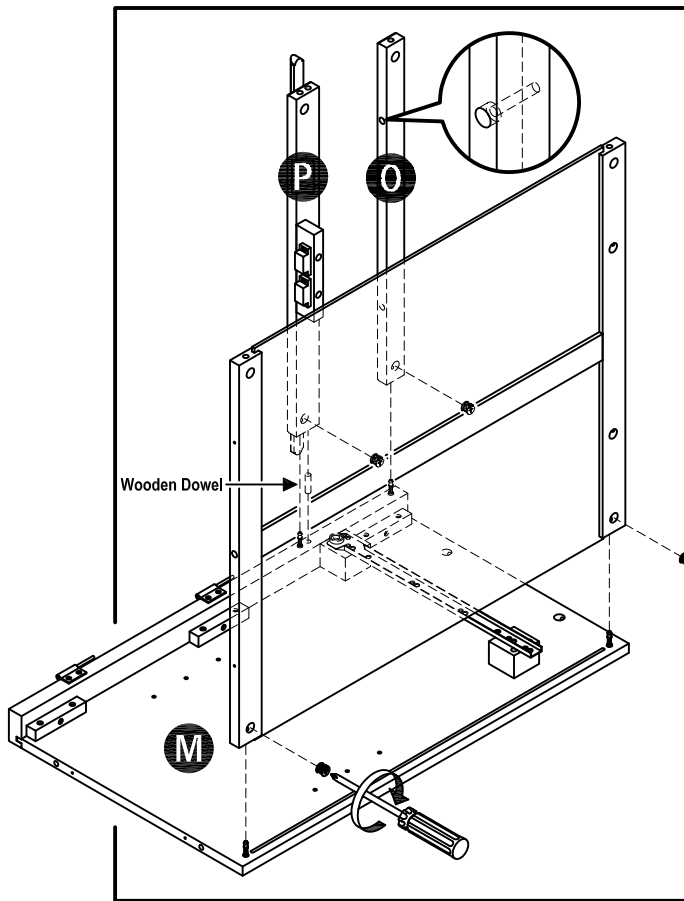
Attach Back Pieces (F) and (G) to Back Piece (Q) with 1 1/4" Round Head Screws.

Slide Back Panels (R) into the grooves.



## STEP 4

Attach unit from Step 3 and Front Pieces (O) and (P) to Side Panel (M) with Cam Locks and Wooden Dowel.

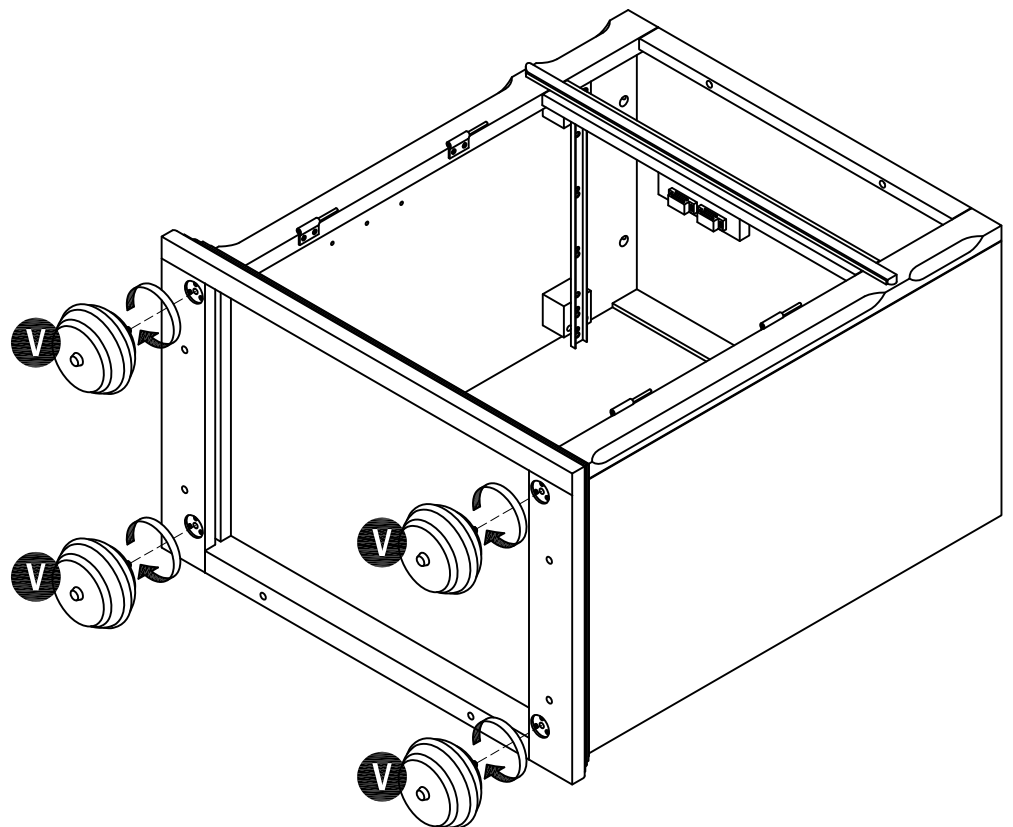
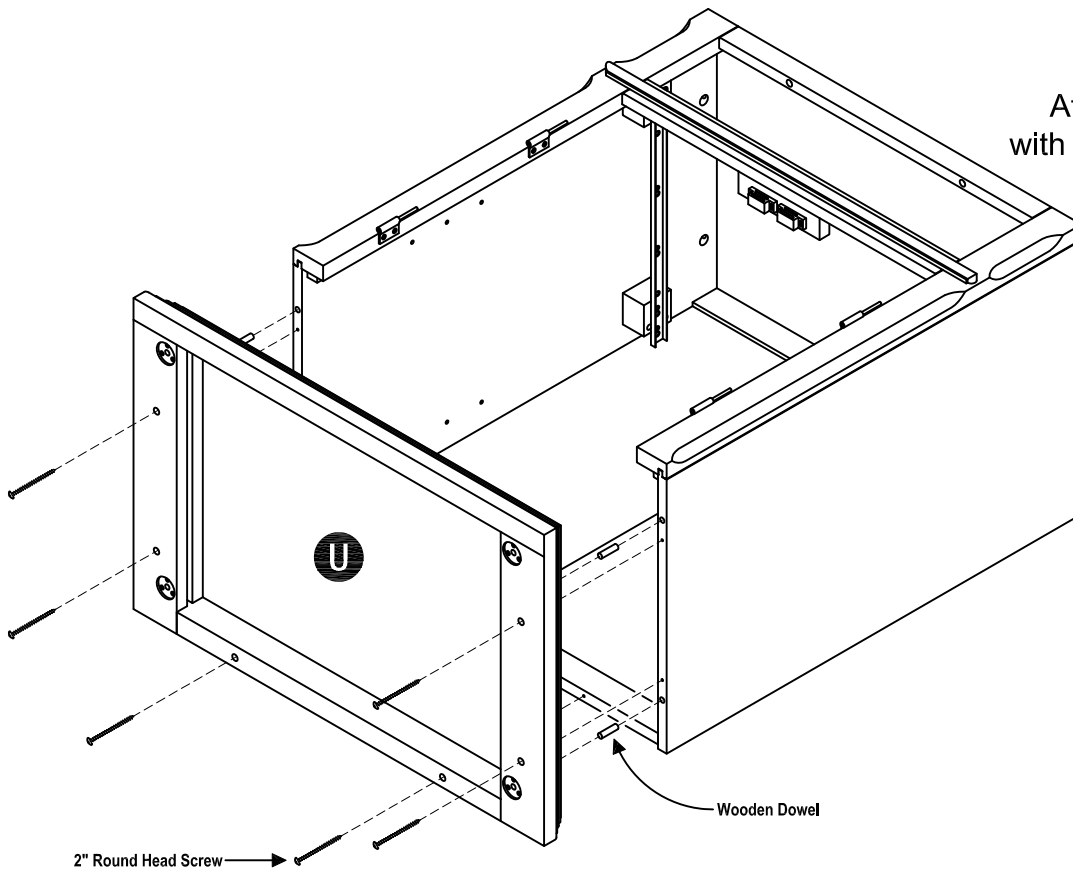


## STEP 5

Attach Side Panel (N) to unit with Cam Locks and Wooden Dowel.

## STEP 6

Attach Bottom (U) to Unit with 2" Round Head Screws and Wooden Dowels.

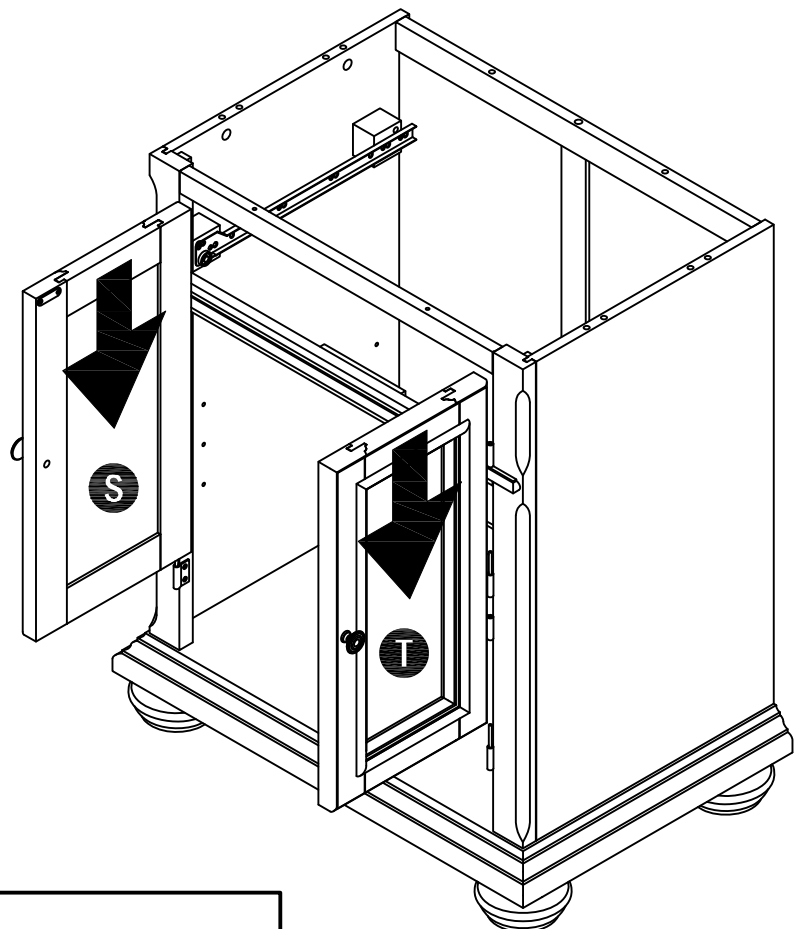
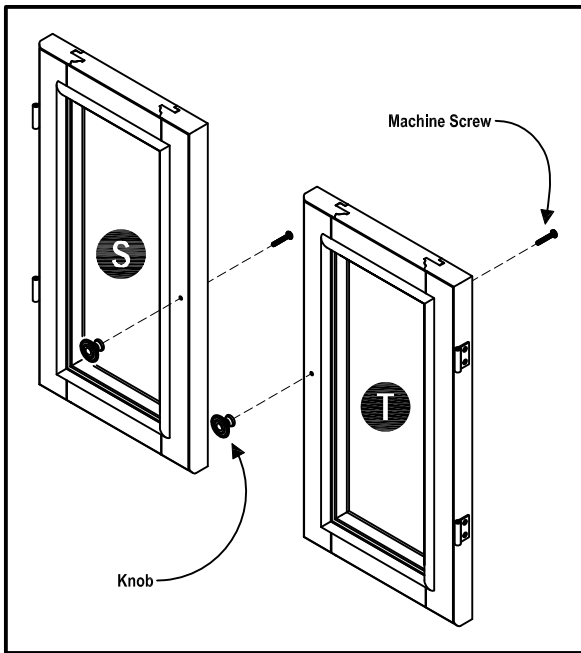


## STEP 7

Attach Legs (V) to unit.

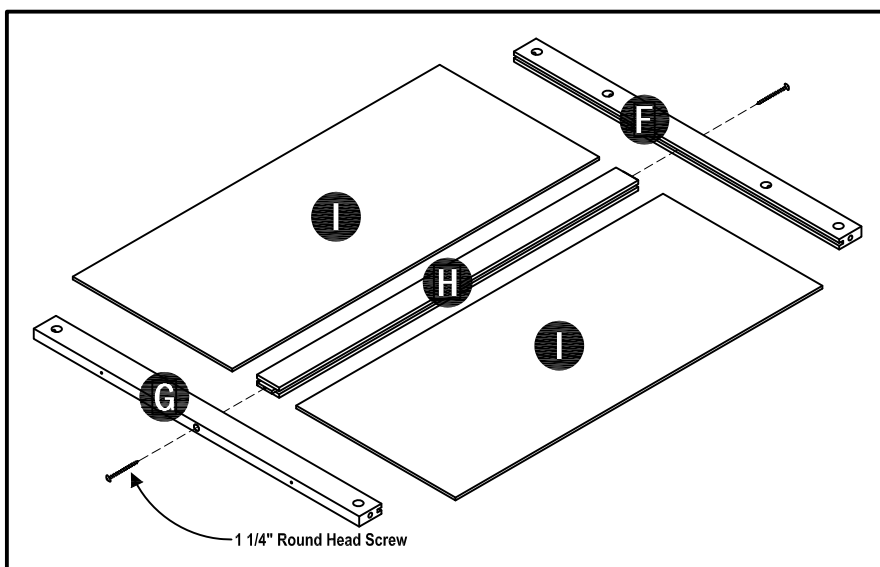
## STEP 8

Attach Knobs to Doors (S) and (T) with Machine Screws (Long).



## STEP 9

Attach Doors (S) and (T) by sliding the Doors lift hinges into the Side Panels lift hinges.

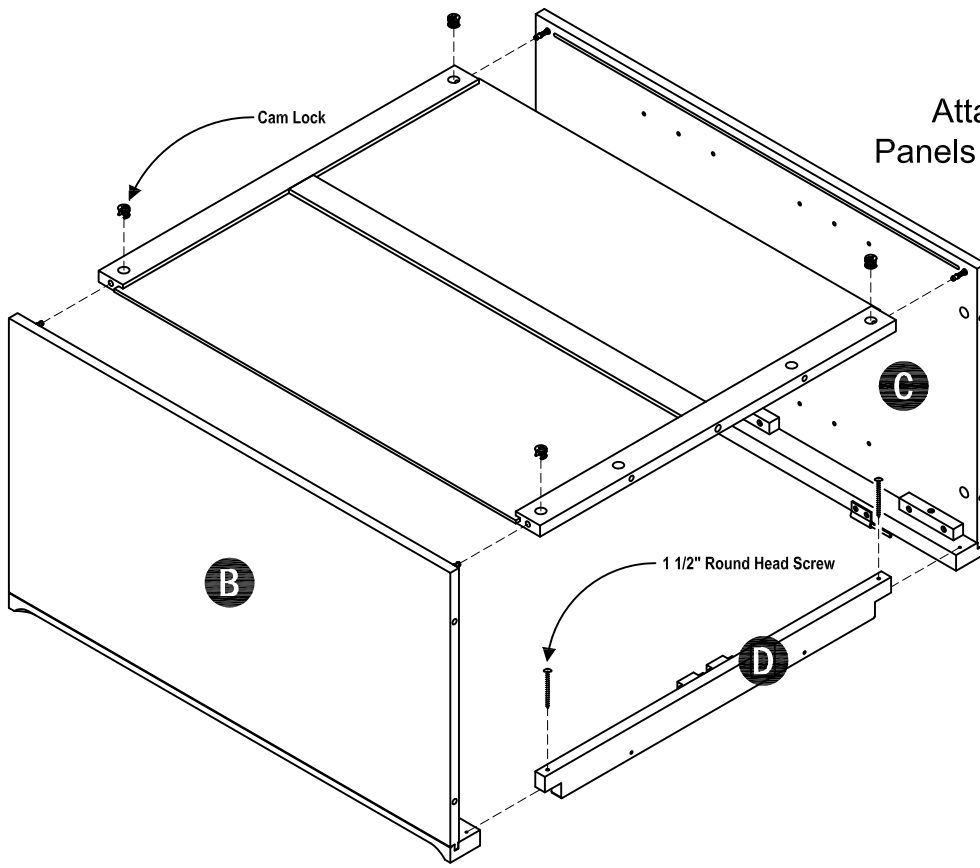


## STEP 10

Attach Back Pieces (F) and (G) to Back Piece (H) with 1 1/4" Round Head Screws.

Slide Back Panels (I) into the grooves.

## STEP 11

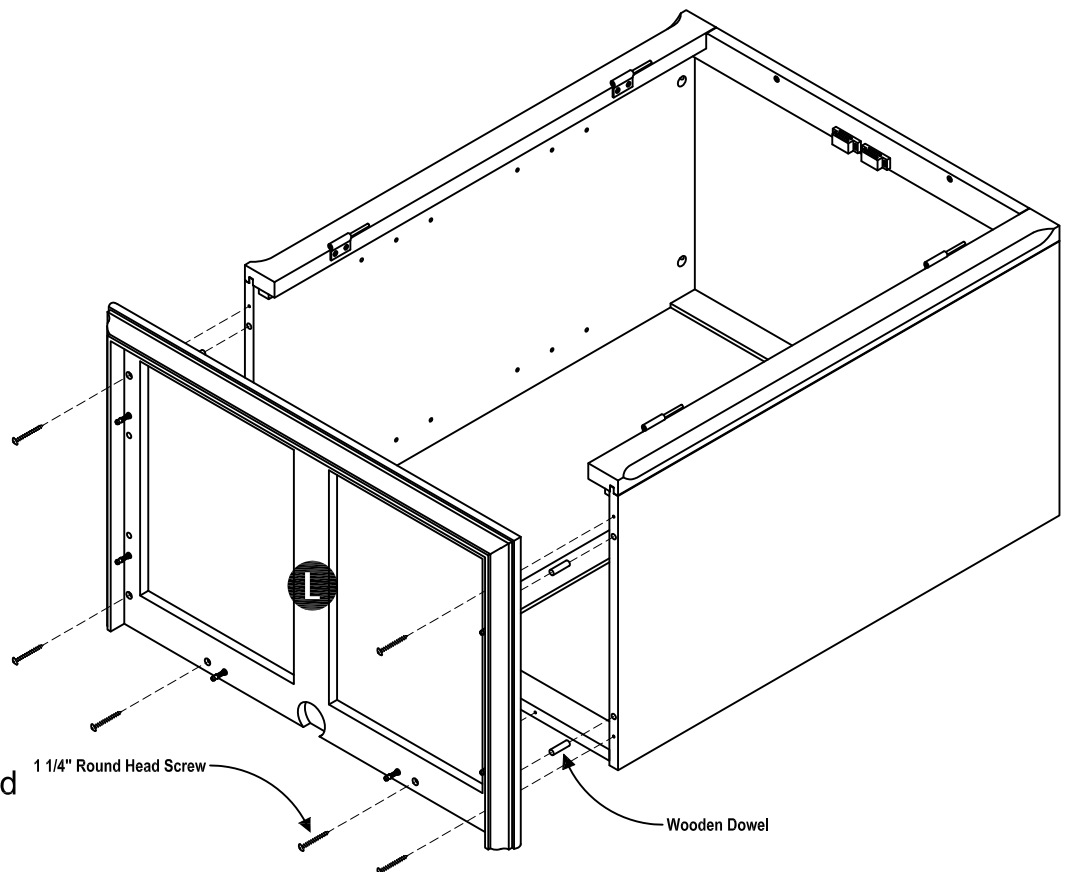


Attach unit from Step 10 to Side Panels (B) and (C) with Cam Locks.

Attach Front Piece (D) to unit with 1 1/2" Round Head Screws.

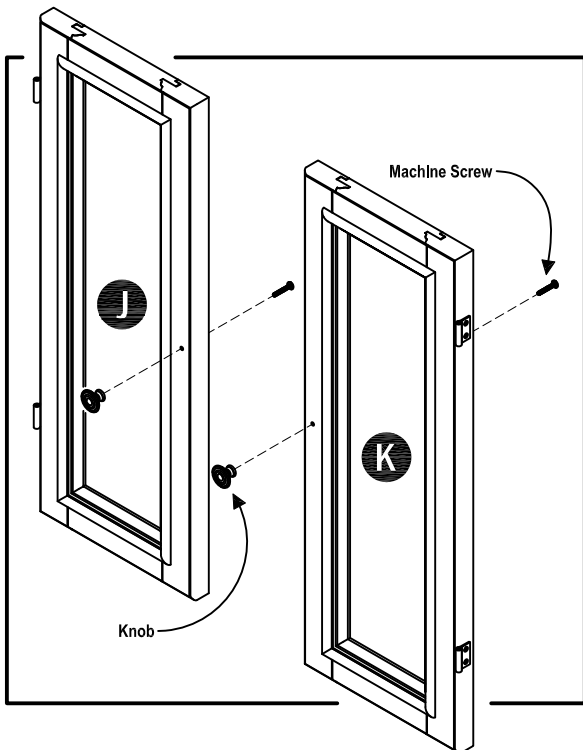
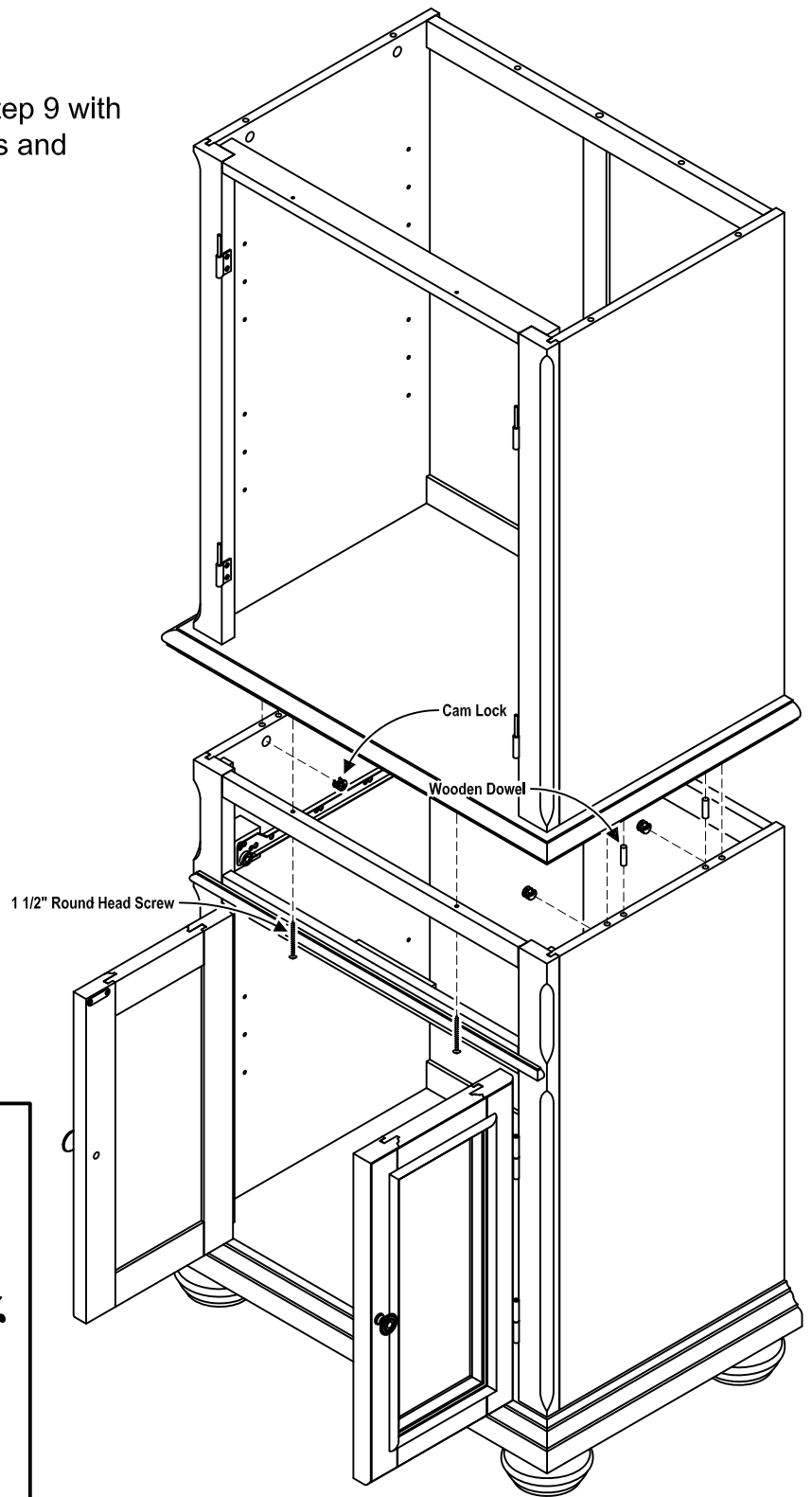
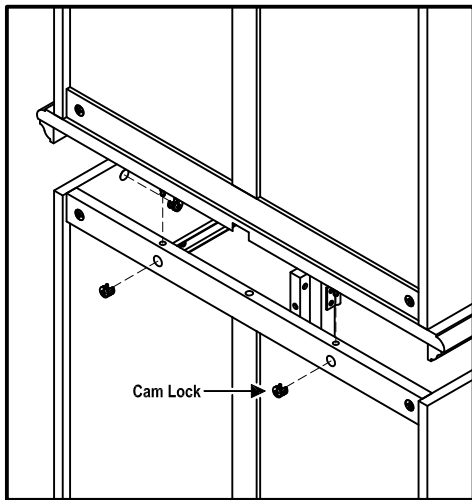
## STEP 12

Attach Top (L) to unit with 1 1/4" Round Head Screws and Wooden Dowels.



## STEP 13

Attach unit from Step 12 to unit from Step 9 with 1 1/2" Round Head Screws, Cam Locks and Wooden Dowels.



## STEP 14

Attach Knobs to Doors (J) and (K) with Machine Screws (Long).

**STEP 15**

Attach Doors (J) and (K) by sliding the Doors lift hinges into the Side Panels lift hinges.

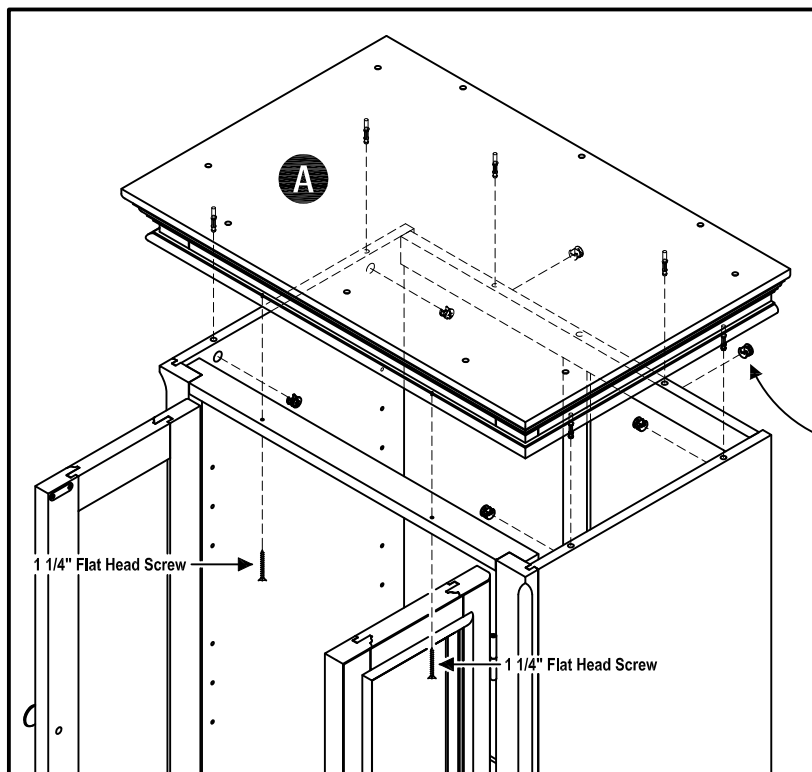
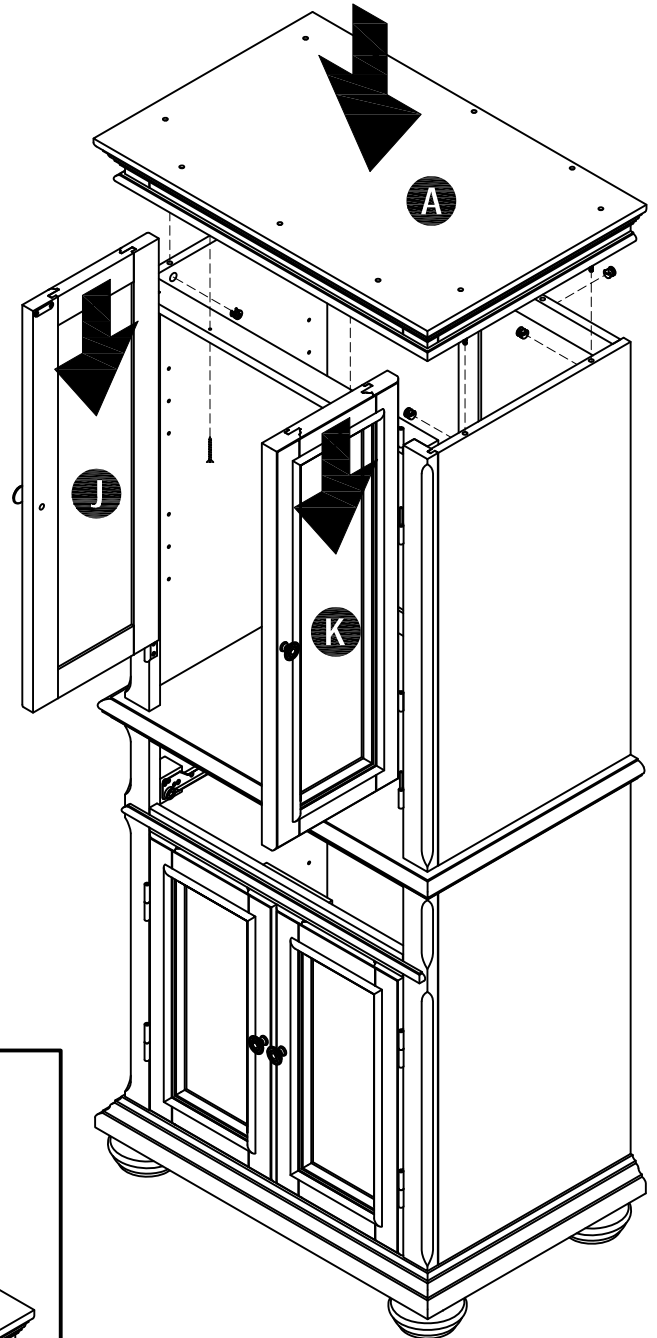


Figure 2

**STEP 16**

Attach Top (A) to unit with 1 1/4 Flat Head Screws and Cam Locks. (See figure 2)



**STEP 17**

Insert Adjustable Pins into Side Panels at the desired level.  
(see Figure 3)

Place Shelves (E) into position.

Slide Drawer (W) into place.

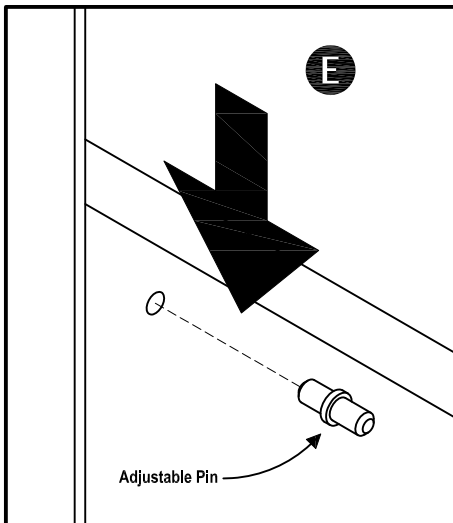
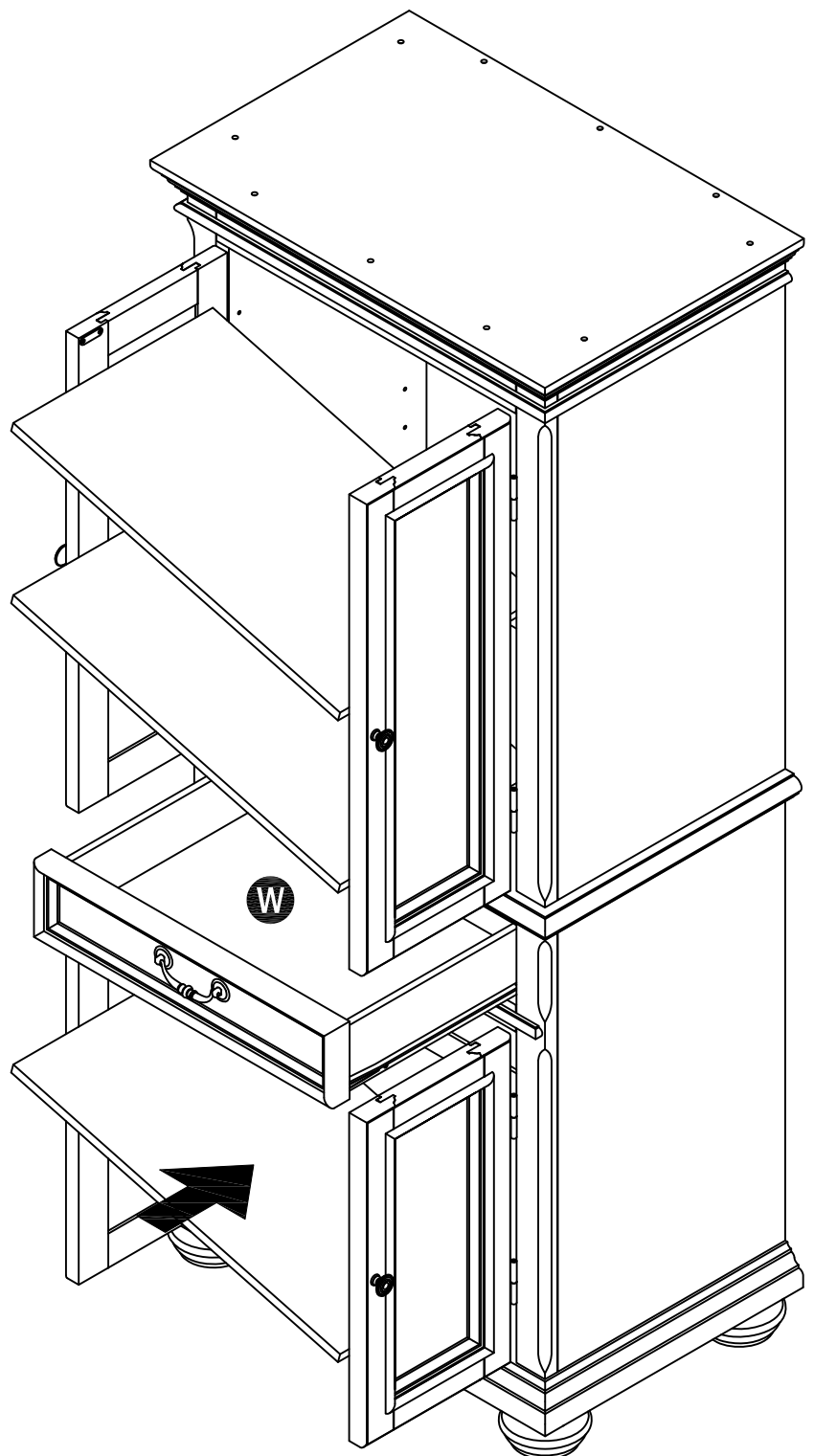


Figure 3



**STEP 18**

To level the unit, adjust the adjustable levelers on the bottom.

**Note: Unit must be level to work properly.**

(see Figure 4)

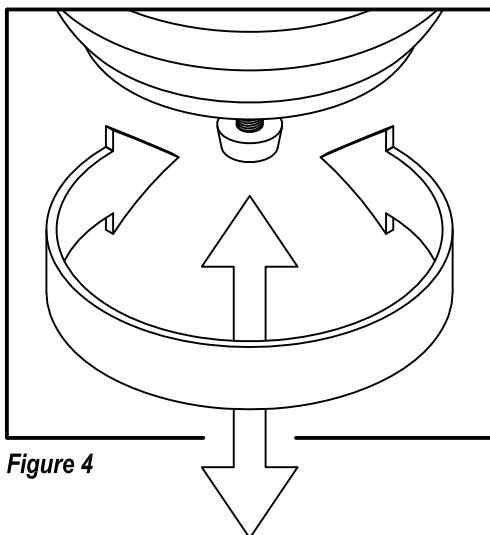


Figure 4

**STEP 19**

Attach Wedges to unit with 1/2" Flat Head Screws.  
(see Figure 5)

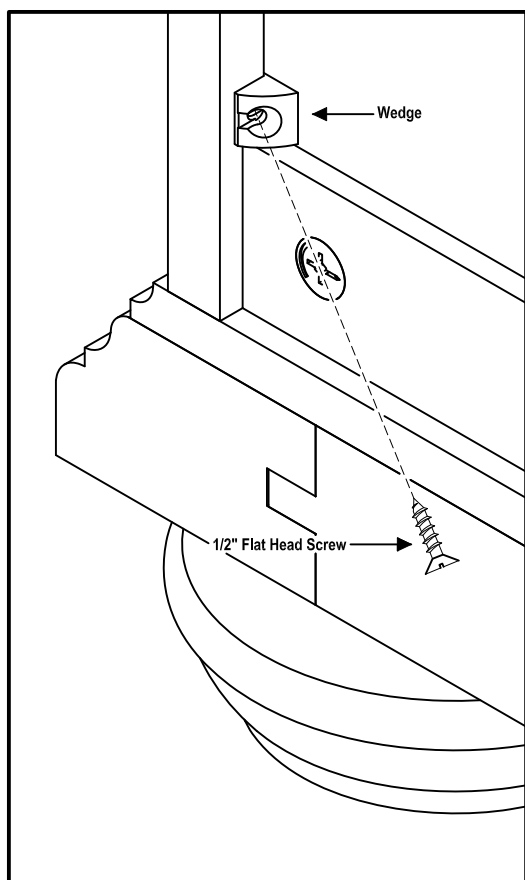
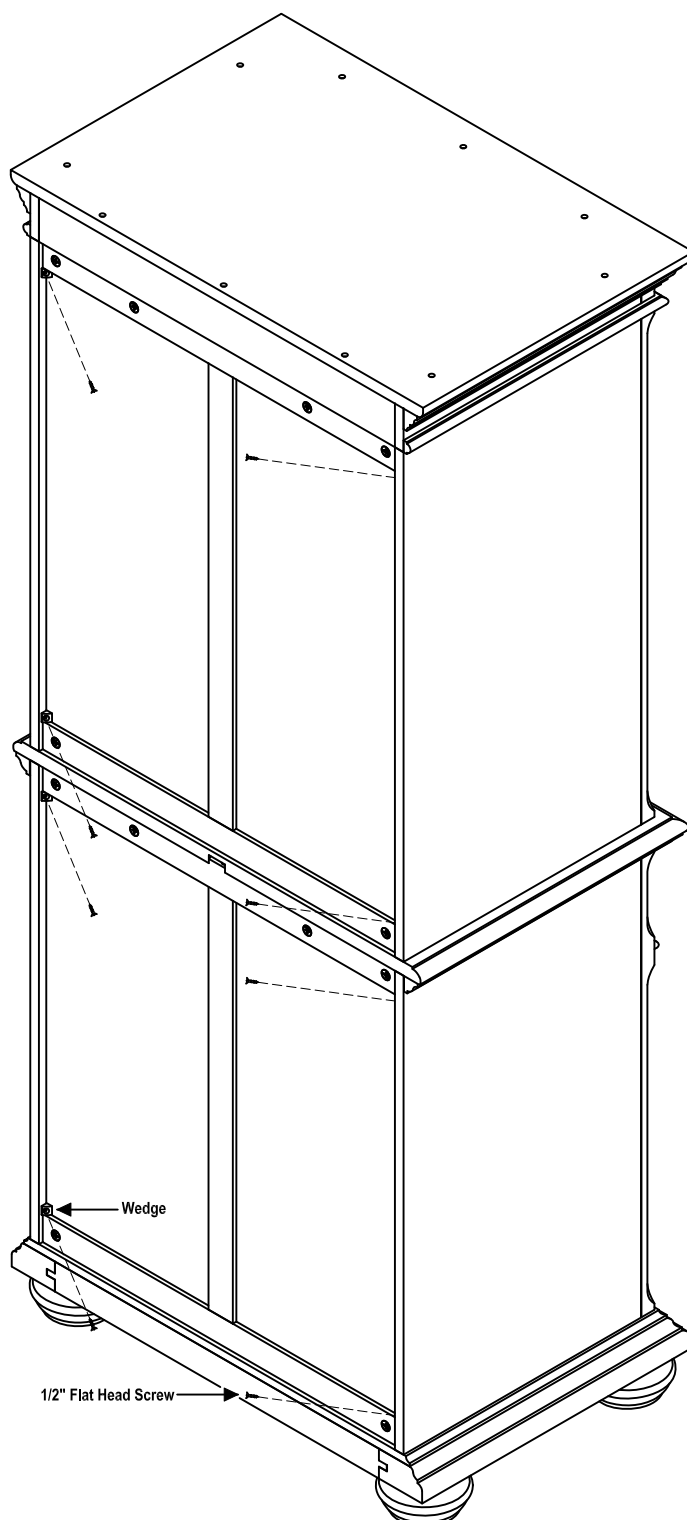
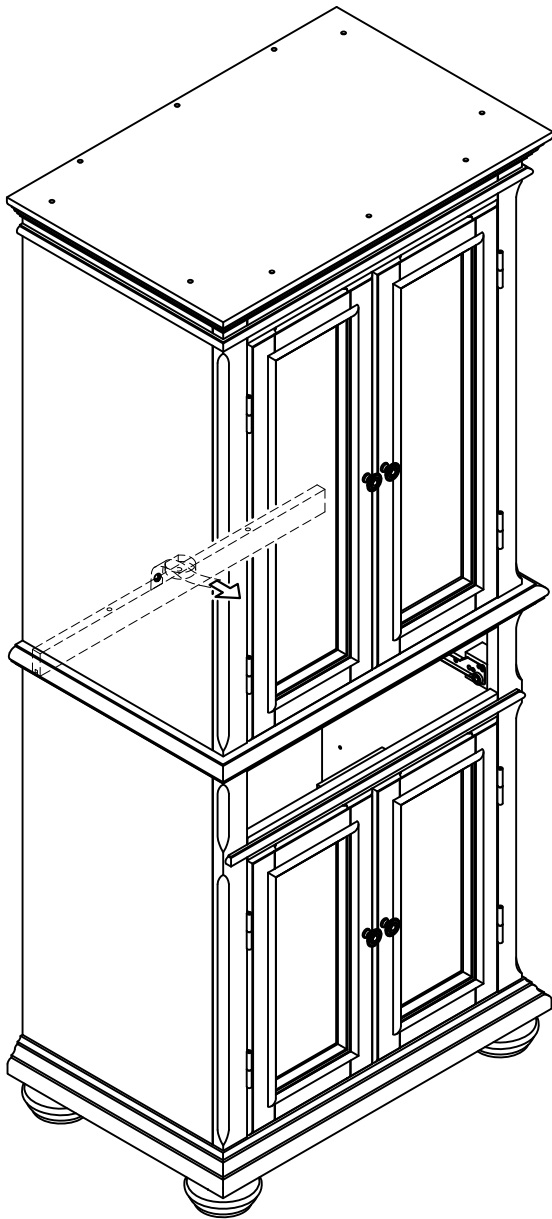


Figure 5

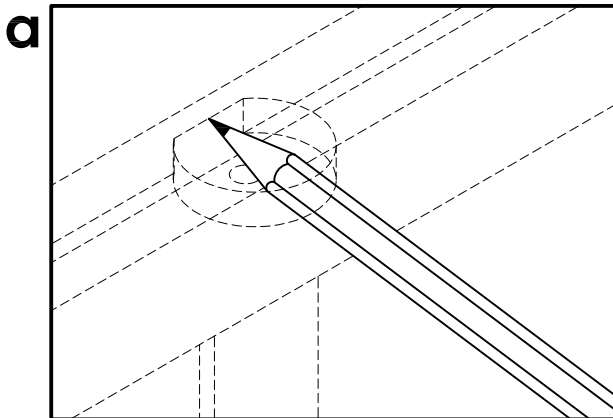


## ATTENTION!

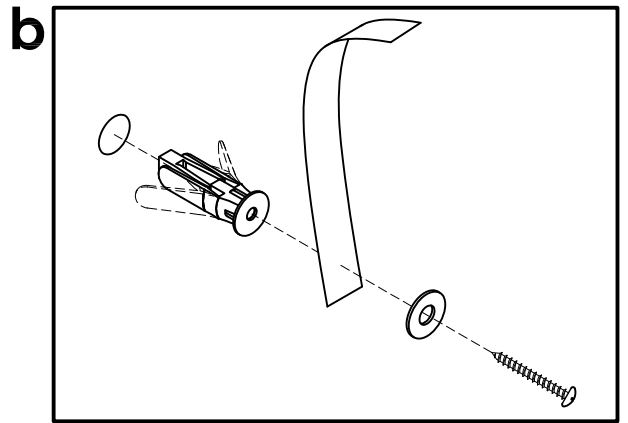
For safety reasons, please follow these instructions to prevent the unit from tipping over.



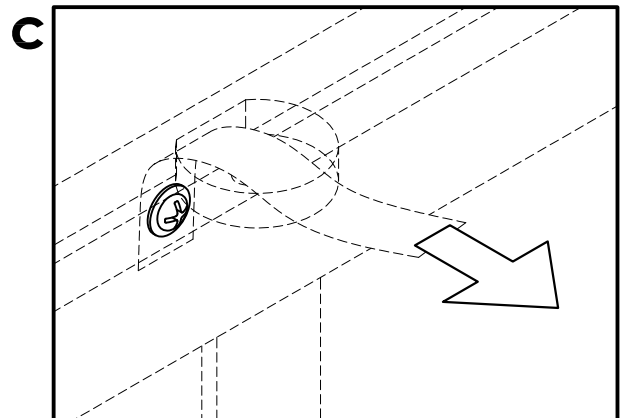
Remove Drawer (W) from unit.



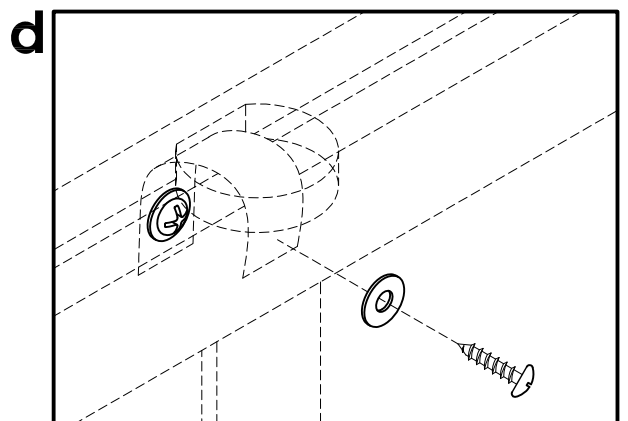
Place the Unit on the wall at desired location. Mark with pencil to show the position of hole at Top (L).



Move Unit, attach Tipping Restraint to the wall with 1 1/2" Round Head Screw, Flat Washer & Anchor. Use the Mark as a guidance.

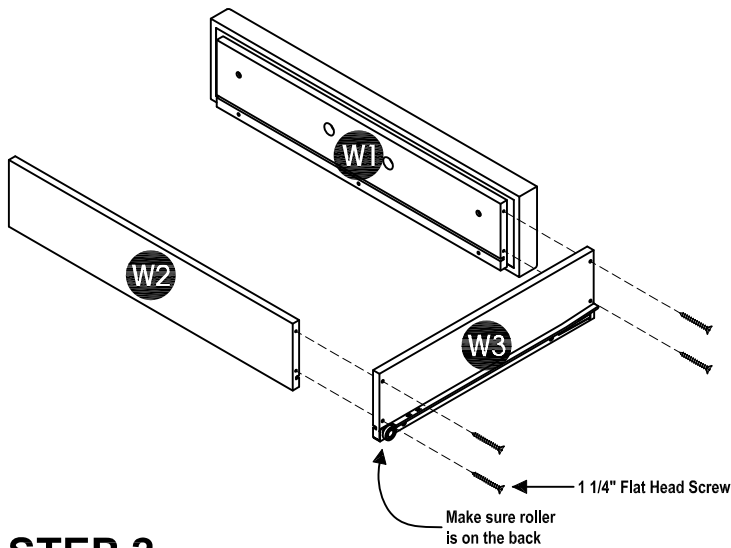


Insert Tipping Restraint to unit through the hole of Top (L).



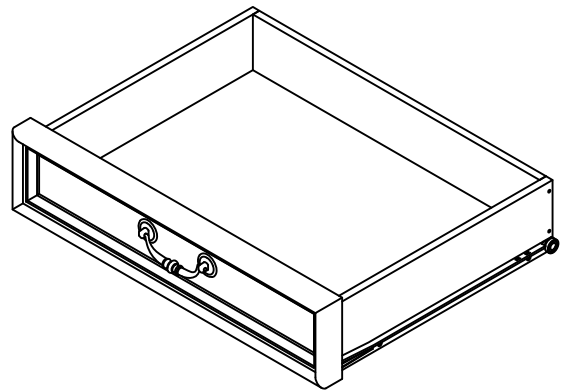
Screw Tipping Restraint to unit with 1/2" Round Head Screw & Small Flat Washer. Slide Drawer (W) into place.

# Drawer (W)



## STEP 1

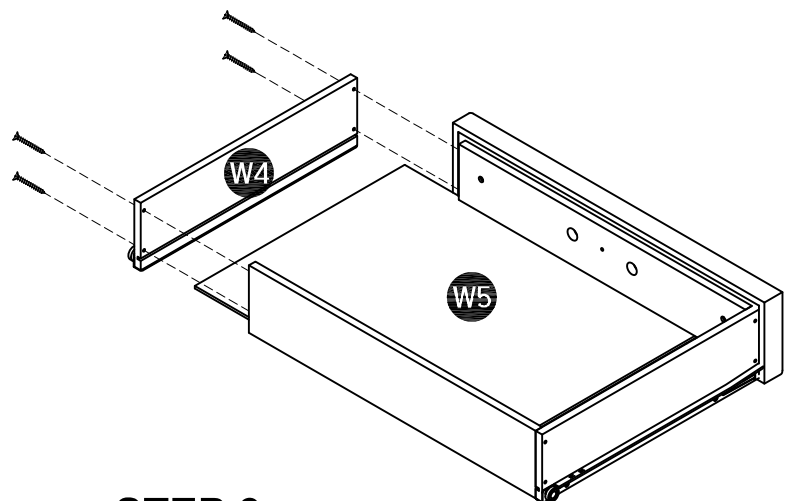
Attach Side Part (W3) to Front Part (W1) and Back Part (W2) with 1 1/4" Flat Head Screws.



## STEP 2

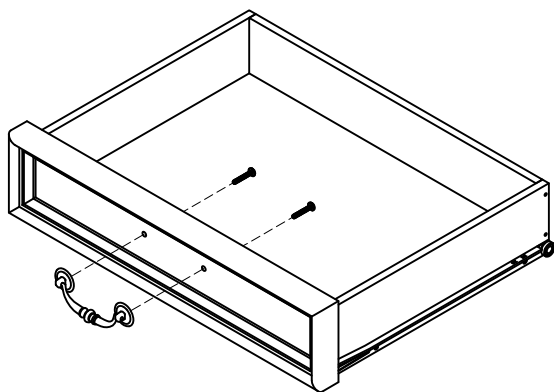
Insert Base Part (W5) into the groove.

Attach Side Part (W4) to unit with 1 1/4" Flat Head Screws.

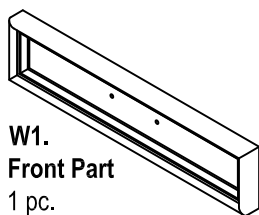


## STEP 3

Attach Handle with Machine Screws (Short).



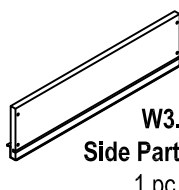
## Part List



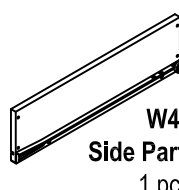
W1.  
Front Part  
1 pc.



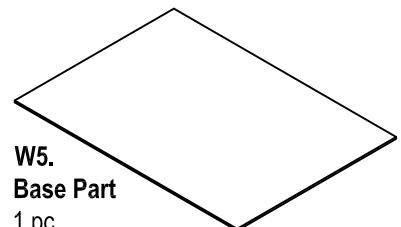
W2.  
Back Part  
1 pc.



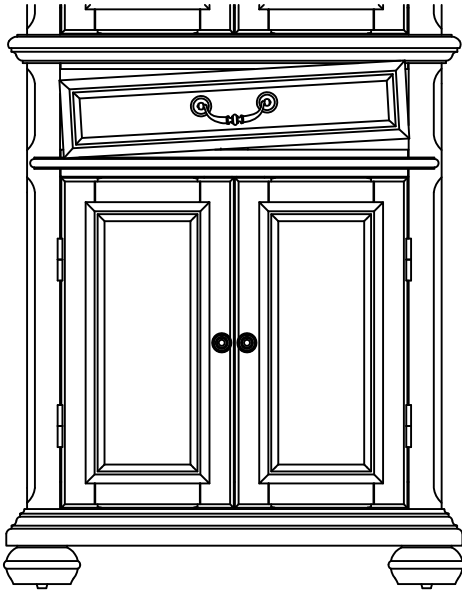
W3.  
Side Part  
1 pc.



W4.  
Side Part  
1 pc.



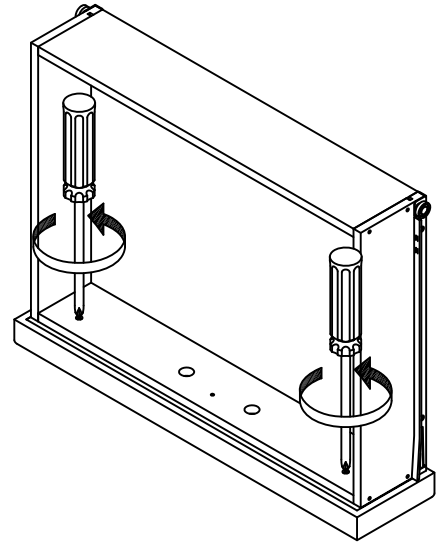
W5.  
Base Part  
1 pc.



## I. IF A DRAWER DOES NOT ALIGN

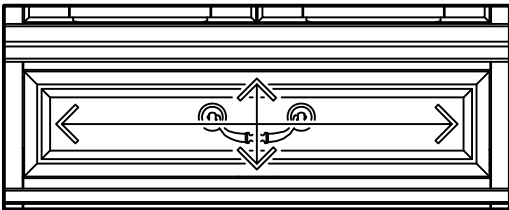
### STEP 1

Loosen slightly the upper screws.

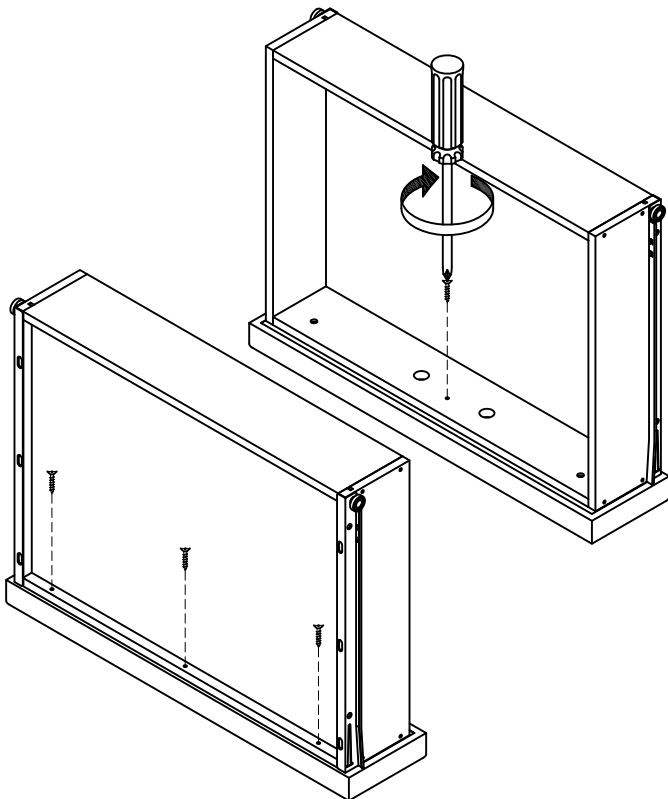


### STEP 2

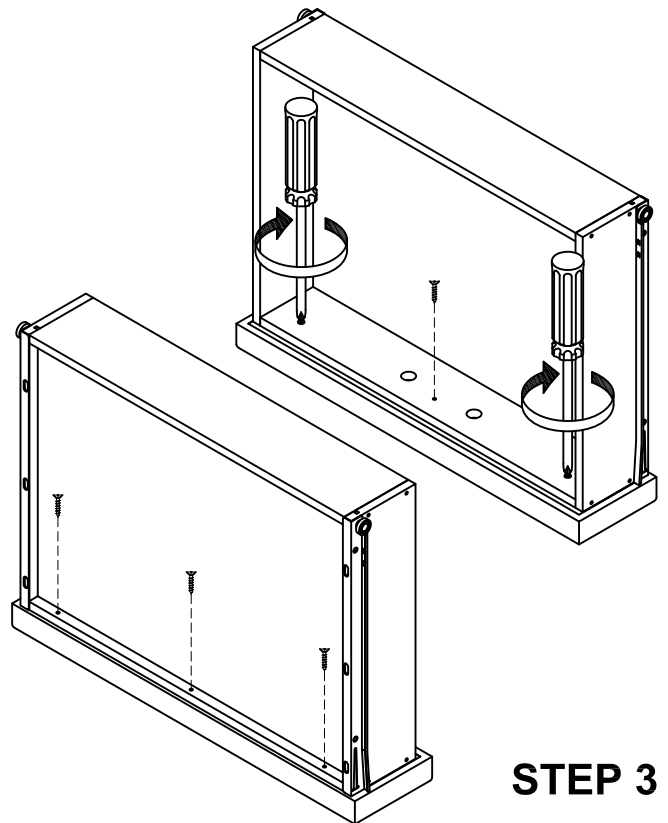
Insert the drawer into the main body, then adjust the drawer front panel left or right and up or down, until the drawer gaps look proportional.



## II. IF A DRAWER ALREADY ALIGNS



Pull out drawer slowly. Lock the drawer front panel into position with 3/4" Flat Head Screws.



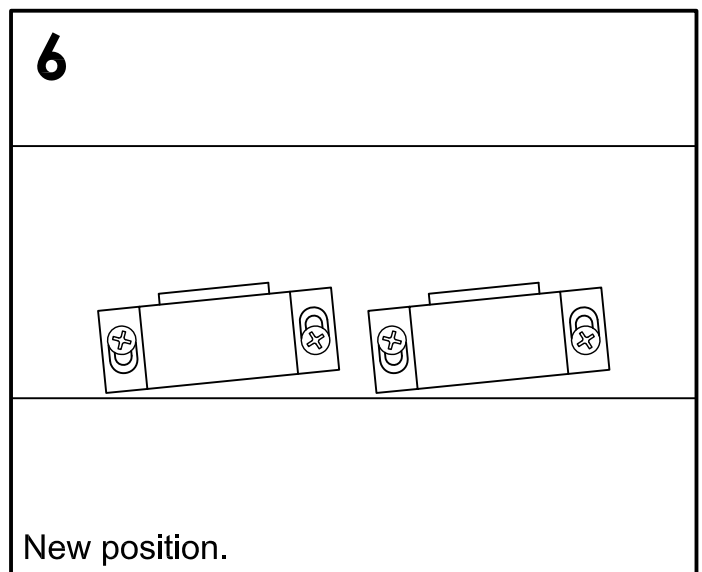
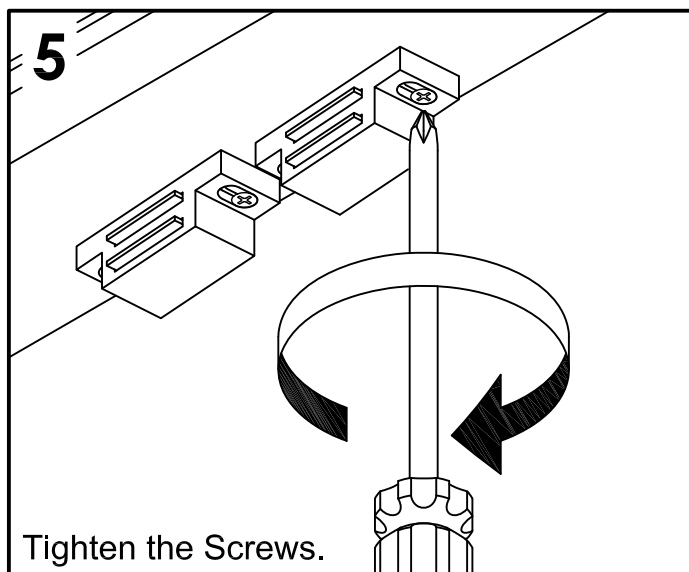
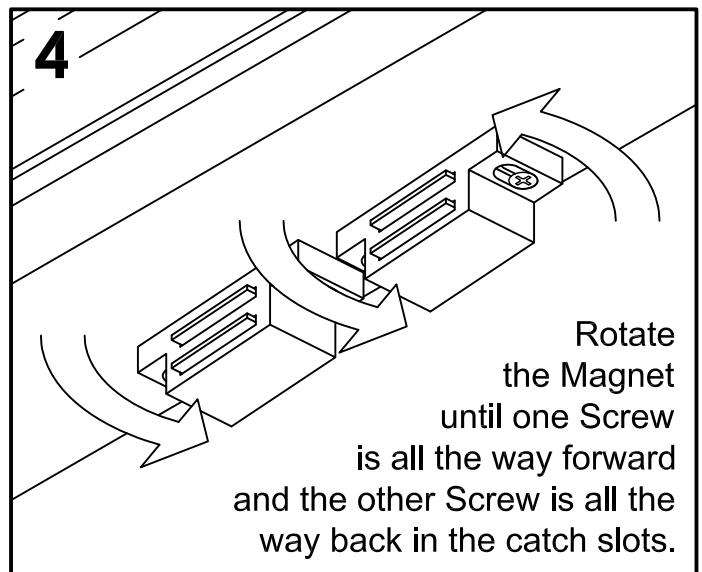
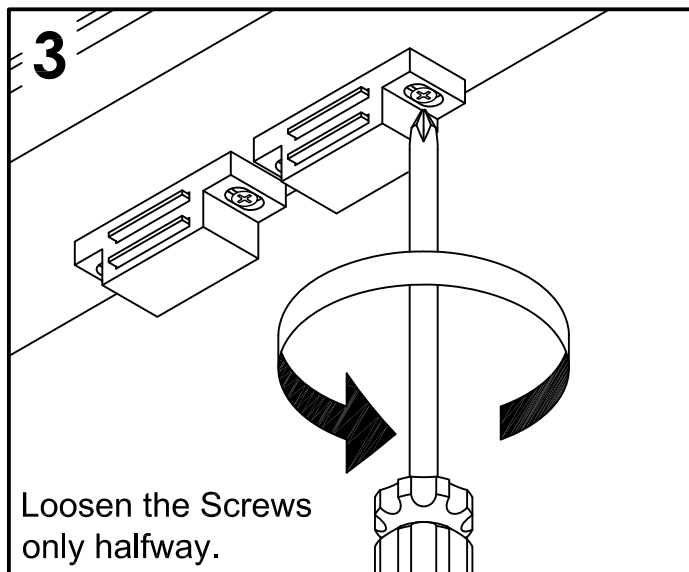
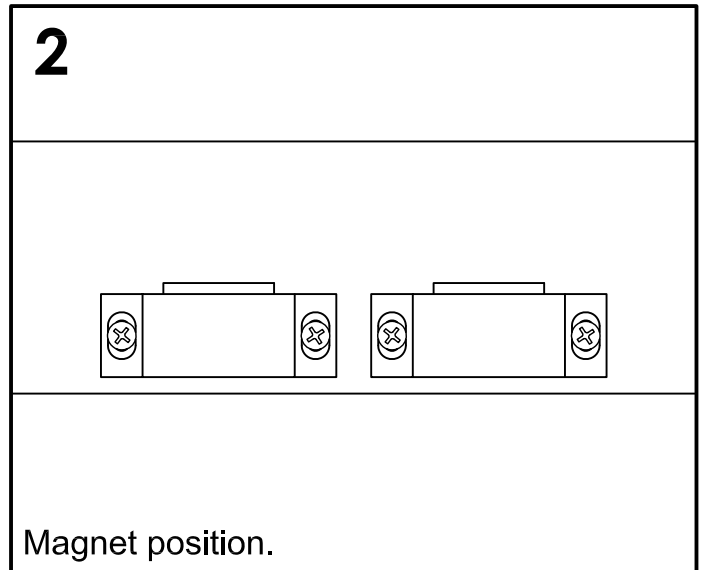
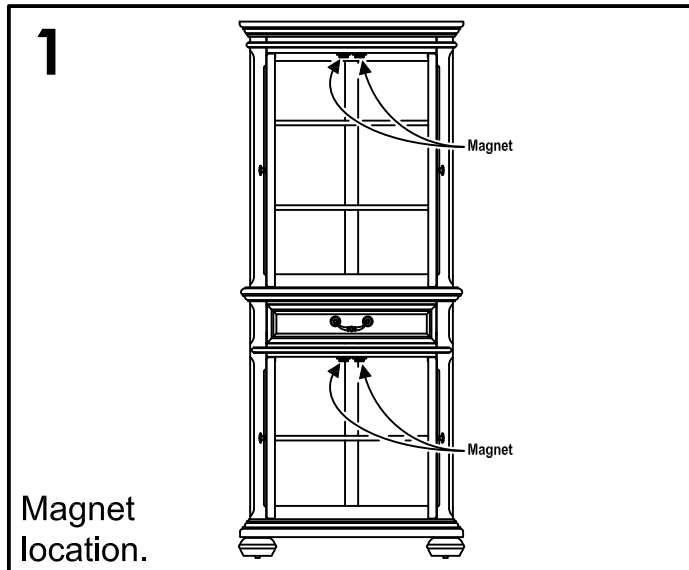
### STEP 3

Pull the drawer open slowly and tighten the upper screws. Make sure the front panel does not move and lock the drawer front panel into position with 3/4" Flat Head Screws.

# Assembly Instructions 14/14

## IMPORTANT NOTICE

\* If the magnetic door catches are too strong and the door difficult to open, the magnetic power can be reduced and the door made easier to open by doing the following:



# VERY IMPORTANT !!

## CARE INSTRUCTIONS

### NEVER

USE GLASS CLEANERS ON FINISHED FURNITURE. AMMONIA WILL CHEMICALLY ATTACK THE LACQUER.

### NEVER

ALLOW LIQUIDS OF ANY KIND TO REMAIN ON THE FURNITURE. ABSORPTION CAUSES WOOD TO WARP AND SPLIT AND FINISHES TO DELAMINATE.

DO NOT WRITE DIRECTLY ON SURFACE.



**PREVENT MARKING**

DO NOT PLACE IN DIRECT SUNLIGHT.



**PREVENT FADING**

DO NOT USE COMMERCIAL WAXES AND POLISHES.



**PREVENT YELLOWING**

DO NOT PLACE HOT OBJECTS ON SURFACE.



**PREVENT FINISH DAMAGE**

DO NOT USE RUBBER BASED PLACE MATS.



**PREVENT DISCOLORING**

## TO CLEAN

USE A SOFT CLOTH MOISTENED IN LEMON OIL POLISH OR LUKEWARM SOAP AND WATER, THEN BUFF WITH A DRY CLEAN CLOTH.



Home Styles will provide replacements free of charge for missing or damaged hardware or parts within 30 days of purchase. Digital images of the defective parts may be required. If this product was not purchased from an authorized retail affiliate, Home Styles is under no obligation to provide replacement parts. Parts are not available for fully assembled items nor are parts available for sale. Replacements for missing or damaged hardware or parts may be requested at:

[www.homestyles-furniture.com/customer\\_service](http://www.homestyles-furniture.com/customer_service)

**Home Styles Consumer Assistance:** [www.homestyles-furniture.com](http://www.homestyles-furniture.com),  
[servicedesk@homestyles-furniture.com](mailto:servicedesk@homestyles-furniture.com), 888-680-7460, 877-831-0319