



Mounts inside the cabinet for the ultimate in hidden kitchen ventilation.

Infrared touch-free control senses the finger; 10-minute delay-off and filter clean reminder ensure a clean, fresh kitchen.

LED module provides bright, even lighting over cooktop.

Quick release, stainless-steel with mesh grease filters are dishwasher safe.

Heat Sentry™ detects excessive heat and adjusts blower to high automatically.

Compatible with optional Universal make-up air dampers.

Recirculation kit available when ducting outside is not possible.

Model Numbers:

CC45I90SB

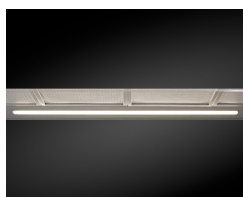
CC45E90SB



Hood mounts inside custom cabinetry; only the control panel shows.



Four-speed, IR touch-free control.



LED module has three light levels.



Dishwasher safe stainless steel with mesh grease filters.



Optional ACR3 remote control lets the busy cook stay in control from anywhere in the kitchen.

Hood Sizes

Widths 34"
Depth 13"

Finish

Stocked Brushed Stainless Steel (Grade 430)
 Special Order Not Available

Features

Lighting Type	LED, 950 Lumens, 3000–3500K
Number of Lamps	1, LED strip
Lighting Levels	3
Lighting Lamps Included	Yes
Control Type	4-speed IR Touch
Control Features	Heat Sentry™, 10-minute Delay-off, Filter Reminder
Remote Control	Optional ACR3
Filter Type	Stainless Steel with Mesh Grease Filter
Non-ducted Capability	Yes

Hood Blower Included (CC45I)

Internal	
Max Blower CFM*	650
Sones Normal Setting**	0.8

*MAX Blower CFM indicates the performance of the hood blower in open air.
 **Normal setting corresponds to speed 1.

Hood Blower Options (for CC45E—sold separately)

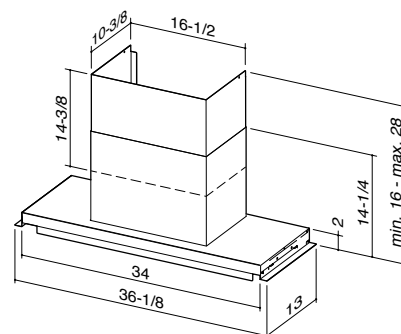
External In-line	ILB3	ILB6	ILB9	ILB11
Max CFM	300	675	890	1500
Some levels are typically half of comparable CFM internal blowers.				
External Exterior	EB6	EB9	EB12	EB15
Blower CFM	665	890	1300	1650
Some levels are typically half of comparable CFM internal blowers.				

Accessories

Flue Extension	AECC45SB
Non-ducted Kit	ANKCC45 (Internal only)
Non-ducted Filter	AFCC45
Universal MUA Damper	MD6TU, MD8TU, MD10TU
Fresh Air Inlet	641FA, 643FA, 610FA

Installation Requirements

Amps @ 120V: Internal Blower	3.2
Amps @ 120V: External Blower	0.2
Electrical Connection	Direct Wire
Duct Size: Internal Blower	8"
Duct Size: External Blower	8"
Duct Direction	Vertical
Backdraft Damper	Included



Installation height above the cooking surface: 24"–30"

For more details or HVI rated performance for this model see the product specifications sheet found at www.BESTRangeHoods.com



Performance is a beautiful thing.

It can be subtle or bold. It can take months or years to hone.
Then impress you in an instant.

A great performance gives the audience exactly what they want and more than they ever imagined. And it inspires everyone and everything around it to be better.

At **BEST**, we make high performance range hoods that perform beautifully. Astonishingly quiet. Impressively effective. Remarkably efficient. And perfectly suited for the most distinguished kitchens.

Whether it's the centerpiece of the room or letting its surroundings shine, **BEST** is where high-end performance inspires.

best[®]

PERFORMANCE THAT INSPIRES