



Ample 30" deep design to handle heat and size of outdoor grills. Optional 3" wall extension for even greater coverage without expensive wall accommodations.

Design allows choice of blowers, either internal or external, for the perfect blend of performance and quiet.

Heat Sentry™ detects excessive heat and adjusts speed to high automatically.

Convenient ON/OFF switch remembers the last blower setting.

Variable-speed control resists the effects of heat and moisture.

UL listed for use in damp locations.

Model Numbers:

WPD39M36SB

WPD39M42SB

WPD39M48SB

WPD39M60SB



Patent-pending V-Baffle design directs grease to an easy-to-remove tray.



Halogen lamps provide brilliant cooktop lighting. 2 on 36" and 42"—3 on 48" and 60" width hoods.



A variable-speed rotary control enables infinite blower speed adjustment.

Hood Sizes

Widths	36", 42", 48", 60"
Depths	30" (33" with Optional 3" Wall Extension)

Finish

Stocked	Corrosion Resistant Stainless Steel (Grade 304)
Special Order	Not Available

Features

Lighting Type	Halogen, MR16; GU10-50W
Number of Lamps	2 on 36" and 42" 3 on 48" and 60"
Lighting Levels	2
Lighting Lamps Included	Yes
Control Type	Infinite Speed, Rotary, Illuminated ON/OFF with Last Memory Setting
Control Features	Heat Sentry™
Remote Control	Not Available
Filter Type	304 Stainless Steel Baffle Filters
Grease Tray and Rail	Non-stick
Non-ducted Capability	No

Hood Blower Options (Must choose one blower sold separately)

Internal Modular	P12	
Max Blower CFM*	1300	
Sones Normal Setting**	2.25	

*MAX Blower CFM indicates the performance of the hood blower in open air.
**Normal setting corresponds to speed 1.

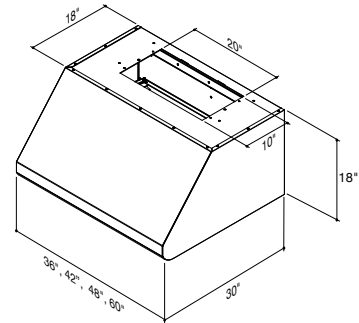
External In-line	ILB11	
Max CFM	1500	
Some levels are typically half of comparable CFM internal blowers.		
External Exterior	EB12	EB15
Max CFM	1300	1650
Some levels are typically half of comparable CFM internal blowers.		

Installation Requirements

Amps @ 120V	6.4 Max
Electrical Connection	Direct Wire
Duct Size: Internal Blower	10"
Duct Direction	Vertical
Backdraft Damper	Not Included

Accessories

Flue Cover (Standard Depth)	6" AEWPD36SB
	18" AEWPD318SB
	30" AEWPD330SB
	30"-54" AEWPD3054SB
Flue Cover (Extended Depth)	6" AEWPD36SBE
	18" AEWPD318SBE
	30" AEWPD330SBE
	30"-54" AEWPD3054SBE
3" Wall Extension	Adds 3" to depth of hood
	36" AWWPD336SB
	42" AWWPD342SB
	48" AWWPD348SB
	60" AWWPD360SB



Installation height above the cooking surface: 36"

For more details or HVI rated performance for this model see the product specifications sheet found at www.BESTRangeHoods.com

Standard and Extended Depth Flue Covers

Corrosion resistant flue covers in professional grade stainless steel attach to the top of the range hood shell. Available in 6", 18", 30" and 30-54" telescopic heights. Deeper flues are available for hoods using the 3" wall extension.



Fixed 6" = 8' ceiling
Fixed 18" = 9' ceiling
Fixed 30" = 10' ceiling
Telescopic 30"-54" = 10'-12' ceiling



Performance is a beautiful thing.

It can be subtle or bold. It can take months or years to hone.
Then impress you in an instant.

A great performance gives the audience exactly what they want and more than they ever imagined. And it inspires everyone and everything around it to be better.

At **BEST**, we make high performance range hoods that perform beautifully. Astonishingly quiet. Impressively effective. Remarkably efficient. And perfectly suited for the most distinguished kitchens.

Whether it's the centerpiece of the room or letting its surroundings shine, **BEST** is where high-end performance inspires.

best[®]

PERFORMANCE THAT INSPIRES