

# 24" Built-in Microwave Drawer

MWDR24100SS

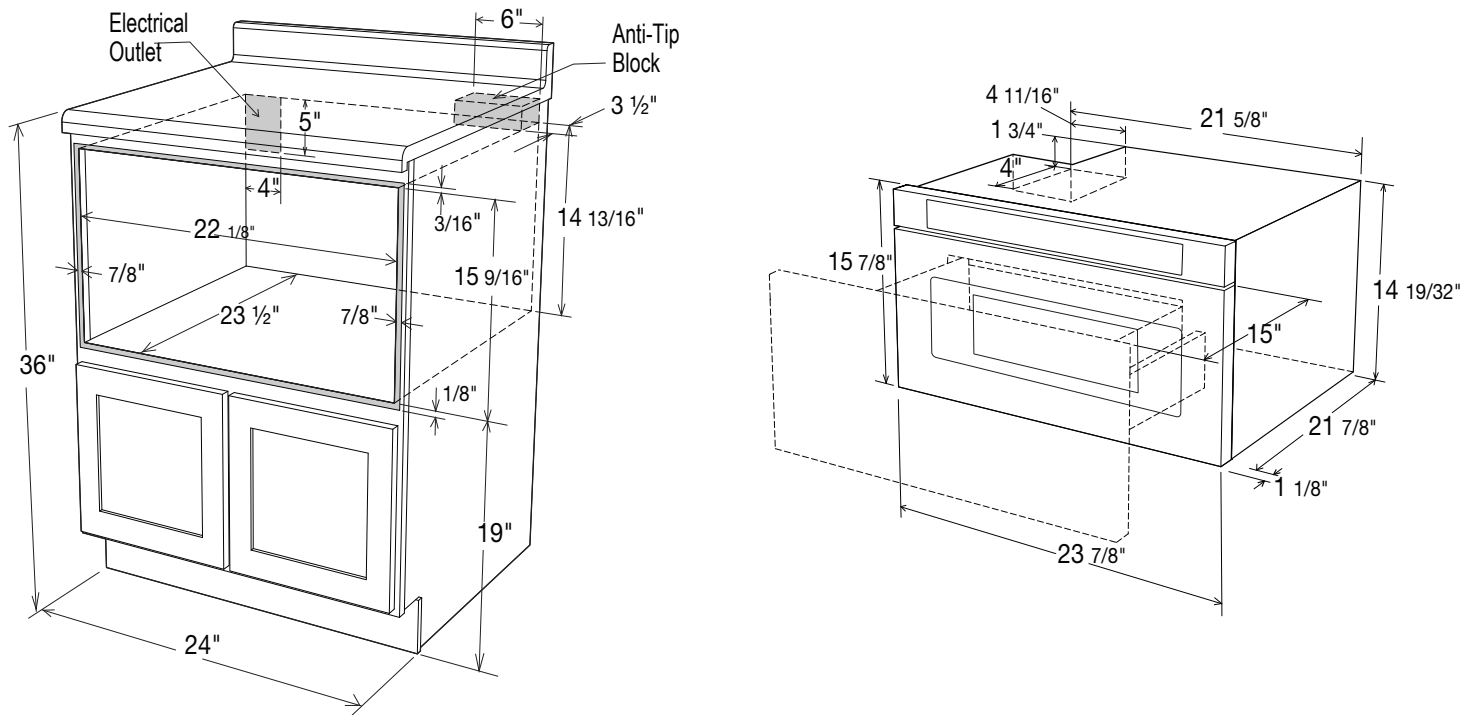


## KEY FEATURES

- 12 Auto Sensor Settings
- 10 Power Levels
- Interactive Cooking
- Optional Flush Mount

GENERAL	
Color	Stainless Steel with Black Glass
Display	LED
Drawer Opening	Easy Touch, Auto Open
Drawer Closing	Hands Free System
Interior Light	Yes
MAIN FEATURES	
Auto Cook Functions	12
Digital Timer	Yes
Interactive Cooking System	Yes
Quick Start	Yes
Sensor Cooking	Yes
Start /+ 30 seconds	Yes
Stop/Clear	Yes
Microwave On Indicator	Yes
End of Cooking Reminder	Yes
Child Lock	Yes
Auto Start	Yes
Stand-by Mode	Yes
Power Levels	10
Digital Clock	Yes
Mount Options	Flush Mount or Surface Mount - Under Counter
COOKING - MENU PRESETS	
Popcorn	Yes
Reheat	Yes
Defrost Setting	Yes
Sensor Cook	Yes
Melt, Soft & Warm Options	Yes
CAPACITY	
Capacity	1.2 cu. ft
Built-in Ready	Yes
TECHNICAL INFORMATION	
Output Power	950 W
Frequency	60 Hz, 120 V, 15 A
Flush Mount	Vent incorporated in bottom of drawer
WARRANTY	
Parts	2 Years
Labor	2 Years
DIMENSIONS	
Product Dimensions (H x W x D)	15 3/4" x 23 7/8" x 23 1/16" in. (40.01 x 60.64 x 58.58 cm)
Packed Dimensions (H x W x D)	20 1/16" x 26 1/4" x 26 1/16" in. (51.22 x 66.68 x 66.2 cm)
Product Weight	55.1 lbs. (25 kg)
Packed Weight	62.8 lbs. (28.5 kg)
Surface Mount Cutout Dim (H x W x D)	15 9/16" x 22 1/8" x 23 1/2" in.
Flush Mount Cutout Dim (H x W x D)	16 1/4" x 23 7/8" x 23 1/2" in.

## DRAWER MICROWAVE MEASUREMENTS



NOTE TO THE INSTALLER: All height, width, and depth dimensions are shown in inches (as well as metric). Beko U.S., Inc. reserves the absolute and unrestricted right to change product materials and specifications, at any time, without notice. Please visit our website, [www.BekoAppliances.com](http://www.BekoAppliances.com), or call 888.352.2356 to verify the latest specifications with final dimensional data and other details prior to installation and making a cutout. Applicable product limited warranty information may be found in accompanying product materials, or you may contact your account manager for further details. Proper installation is the responsibility of the installer. Product failure due to improper installation is not covered under the Limited Warranty.