

AMANA®

BOTTOM MOUNT REFRIGERATOR

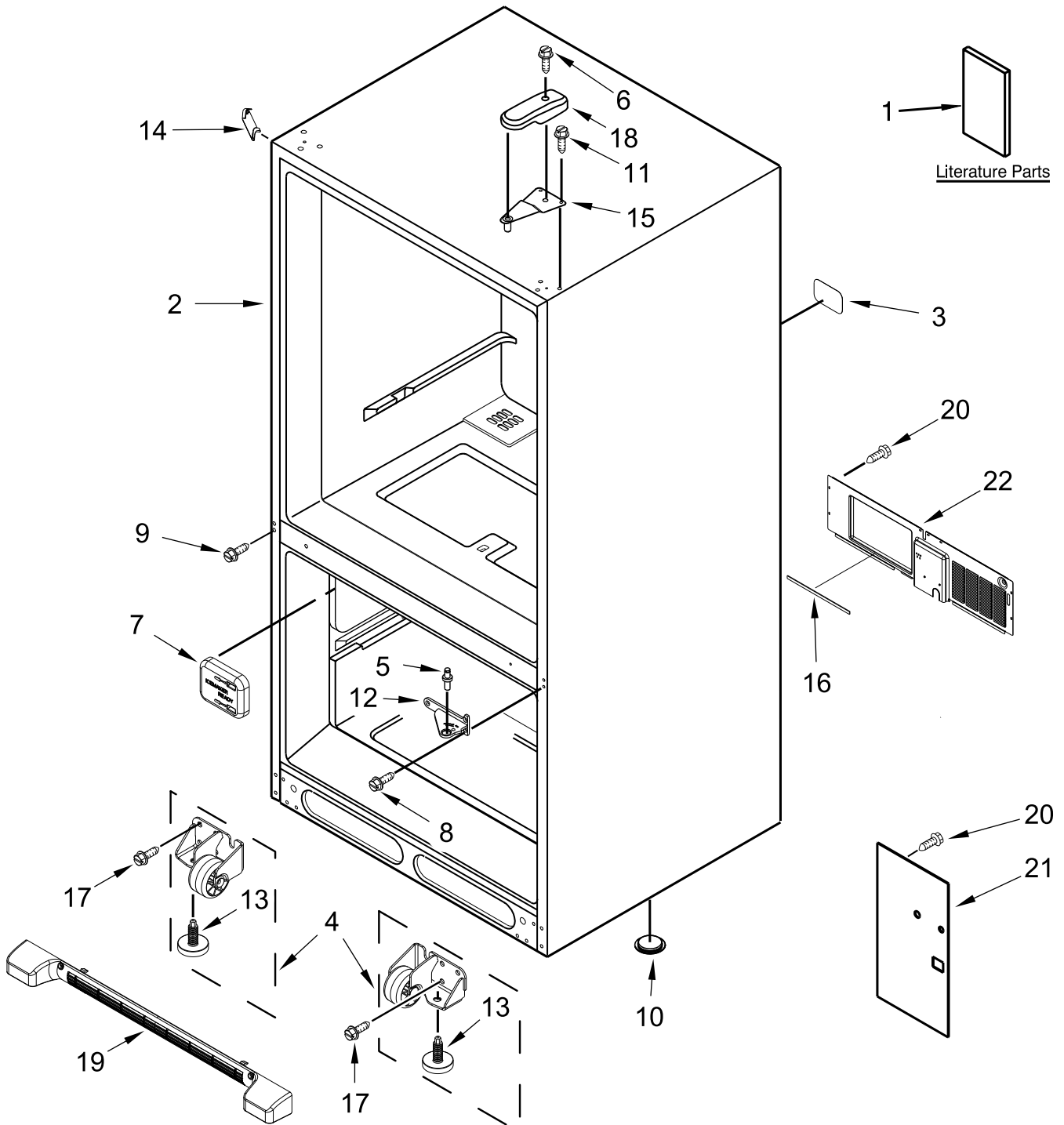
MODELS:

ABB1924BRW02 (White)

ABB1924BRB02 (Black)

ABB1924BRM02 (Stainless Steel)

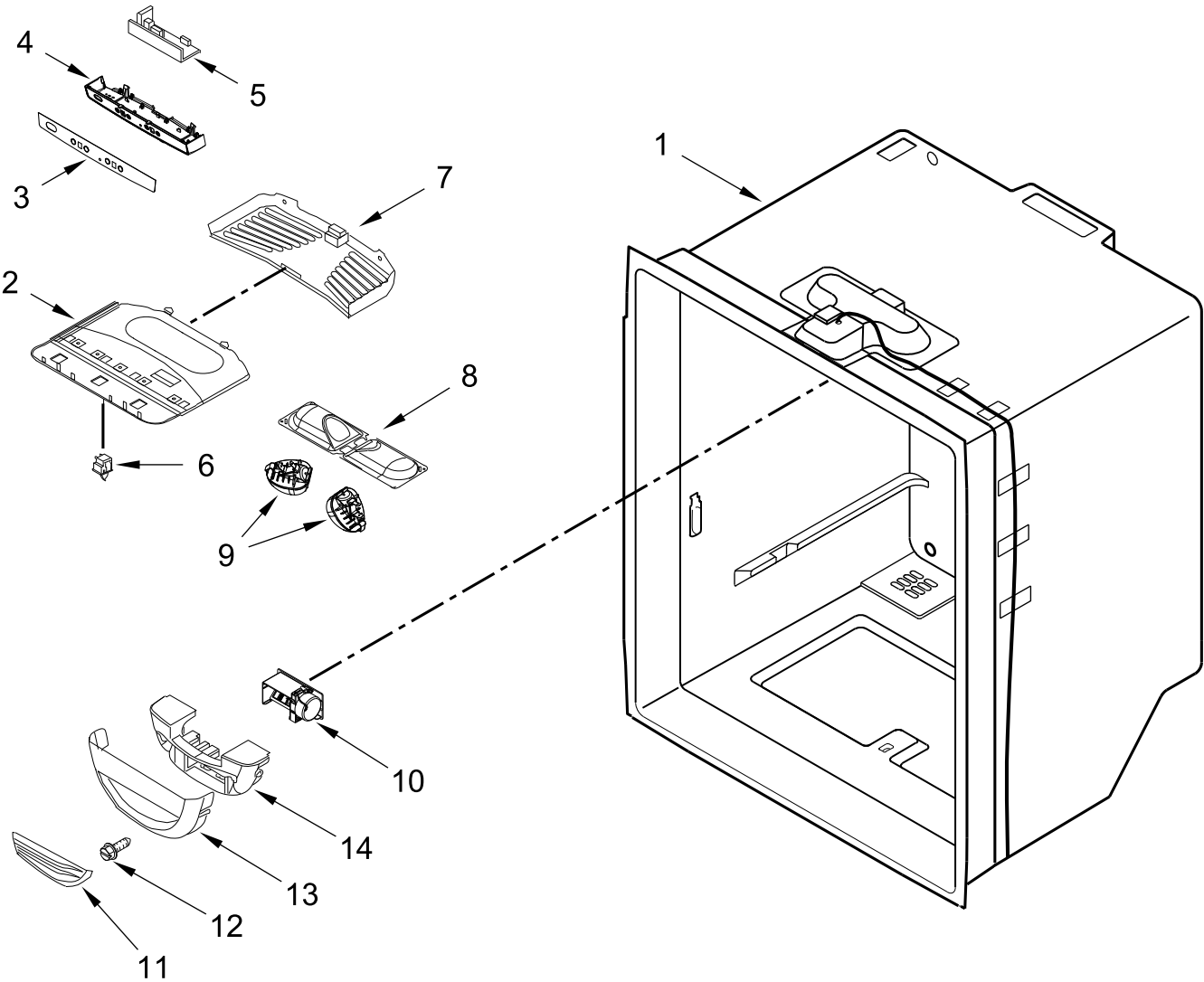
CABINET PARTS



CABINET PARTS

<u>Illus. No.</u>	<u>Part No.</u>	<u>Description</u>	<u>Illus. No.</u>	<u>Part No.</u>	<u>Description</u>	<u>Illus. No.</u>	<u>Part No.</u>	<u>Description</u>
1		Literature Parts	9	12990101	Screw	17	W10709365	Screw
	W11296631	Use and Care Guide	10	A3076901	Plug, Button	18		Cover, Hinge
	W11306934	Energy Guide	11	12992403	Screw		12477601W	White
	W11297589	Tech Sheet	12		Hinge, Center		12477601B	Black
2		Cabinet (Not a Servicable Part)		12607103WD	White		12477601AP	Grey
				12607104ED	Black	19		Assembly, Grille
3	12249902	Label, Fill Tube		12607103AP	Grey		W10534166	White
4		Assembly, Roller	13	W10141622	Brake, Roller		W10534167	Black
	W10515763	Left Hand	14		Cover, Corner		W10534165	Grey
	W10515762	Right Hand		12587703W	White	20	W10141645	Screw
5	10351006	Pin, Center Hinge		12587703B	Black	21	W10217701	Cover, Water Valve
6	12992602	Screw		12587703AP	Grey	22	W10210978	Cover, Unit
7	W11182229	Cover, Fill Tube	15	12566606ED	Hinge, Top			
8	W10673840	Screw (Stainless)	16	B5759655	Gasket			

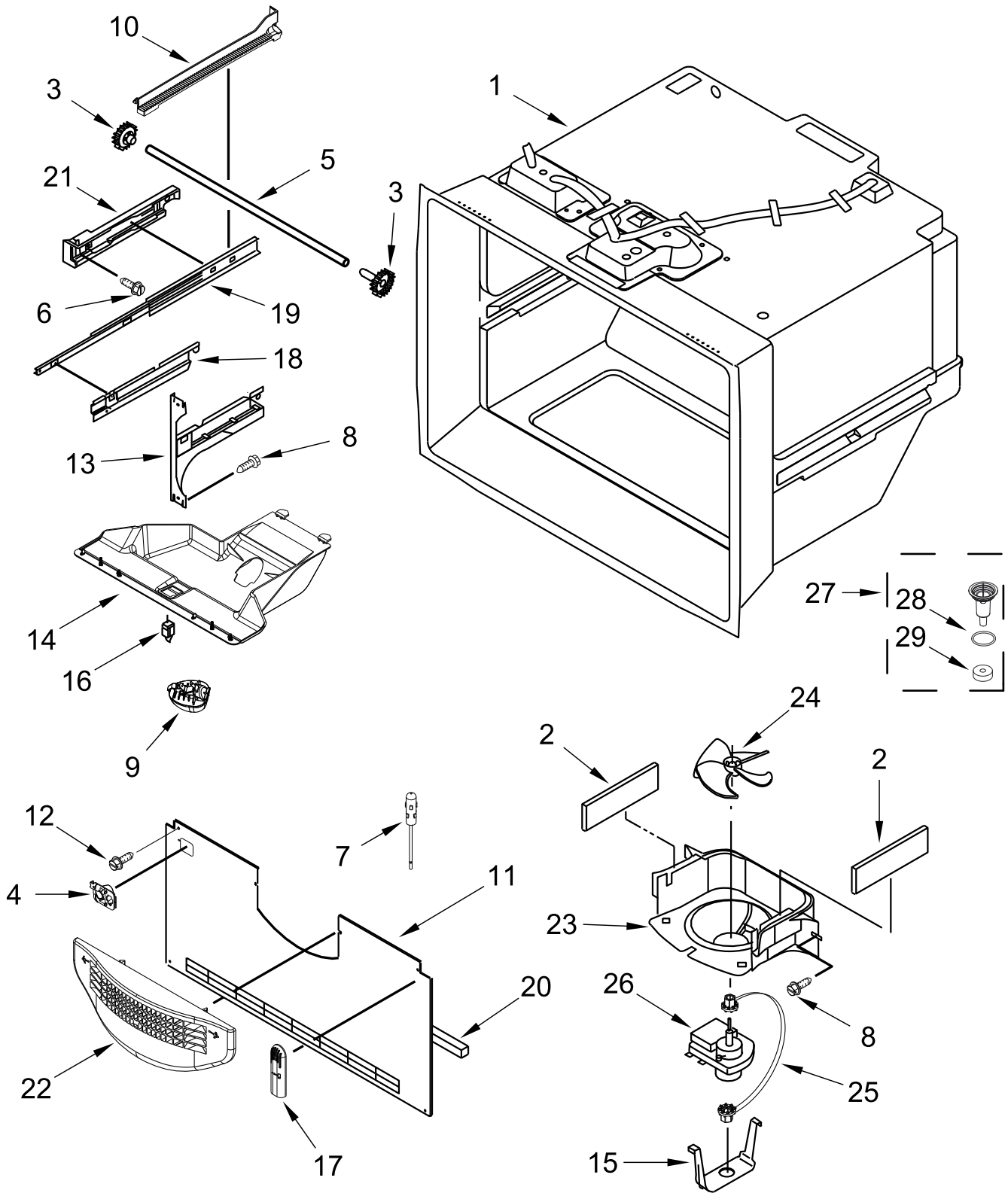
REFRIGERATOR LINER PARTS



REFRIGERATOR LINER PARTS

<u>Illus. No.</u>	<u>Part No.</u>	<u>Description</u>	<u>Illus. No.</u>	<u>Part No.</u>	<u>Description</u>	<u>Illus. No.</u>	<u>Part No.</u>	<u>Description</u>
1		Liner (Not a Serviceable Part)	7	W11132917	Cover, Light	14	13012402	Insulation, Damper
2	W10464757	Module, Light	8	W10443023	Housing, Light			Following Parts Not Illustrated
3	W10593588	Overlay	9	W11251749	Light Module, LED			
4	W10464769	Module, Control	10	W10594330	Damper, Control	W10422363		Harness, Refrigerator Control (Includes Thermistor)
5	W10503278	Control, Electronic	11	12806801	Insert, Damper Cover			
6	W10847853	Switch, Light	12	12990604	Screw			
			13	12806701	Cover, Damper			

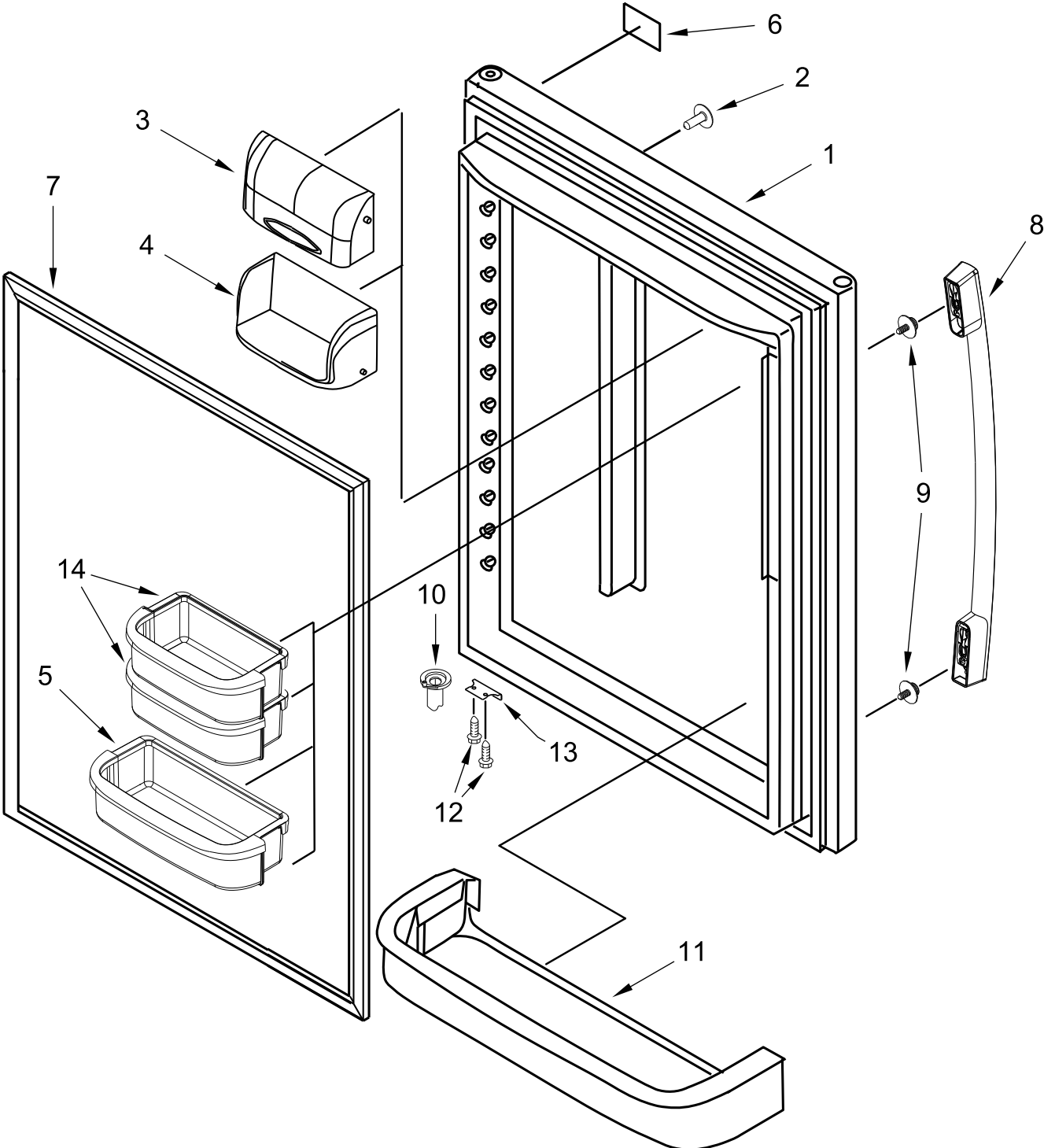
FREEZER LINER PARTS



FREEZER LINER PARTS

<u>Illus.</u> <u>No.</u>	<u>Part No.</u>	<u>Description</u>	<u>Illus.</u> <u>No.</u>	<u>Part No.</u>	<u>Description</u>	<u>Illus.</u> <u>No.</u>	<u>Part No.</u>	<u>Description</u>
1		Liner (Not a Serviceable Part)	12	12990518	Screw	21		Adapter, Side
2	A3189392	Gasket, Foam	13		Bracket, Door		W10284684	Left Hand
3	12002497	Gear		W10330991	Left Hand		W10284685	Right Hand
4	W11261524	Guide, Fill Tube		W10330993	Right Hand	22	13024803	Grille, Freezer Air
5	W10802329	Shaft, Rack	14	W10277025	Module, Light	23	13057901	Shroud, Evaporator Fan
6	12990501	Screw	15	13058002	Clip, Evaporator Motor	24	2169142	Blade, Fan
7	12791409SP	Thermistor	16	W10847849	Switch, Light	25	W10121318	Grommet
8	12990521	Screw	17	12815301	Cover, Thermistor	26	W10128551	Motor, Evaporator
9	W11251749	Light Module, LED	18		Cradle, Basket	27	W10662407	Assembly, Drain Funnel
10		Rack, Side		W10280608	Left Hand	28	M0500703	Seal
	W11309374	Left Hand		W10280613	Right Hand	29	B8381501	Gasket, Drain
	W11309377	Right Hand	19	W10120018	Slide, Door			
11	W10308414	Cover, Evaporator	20	A3189394	Gasket, Bottom			

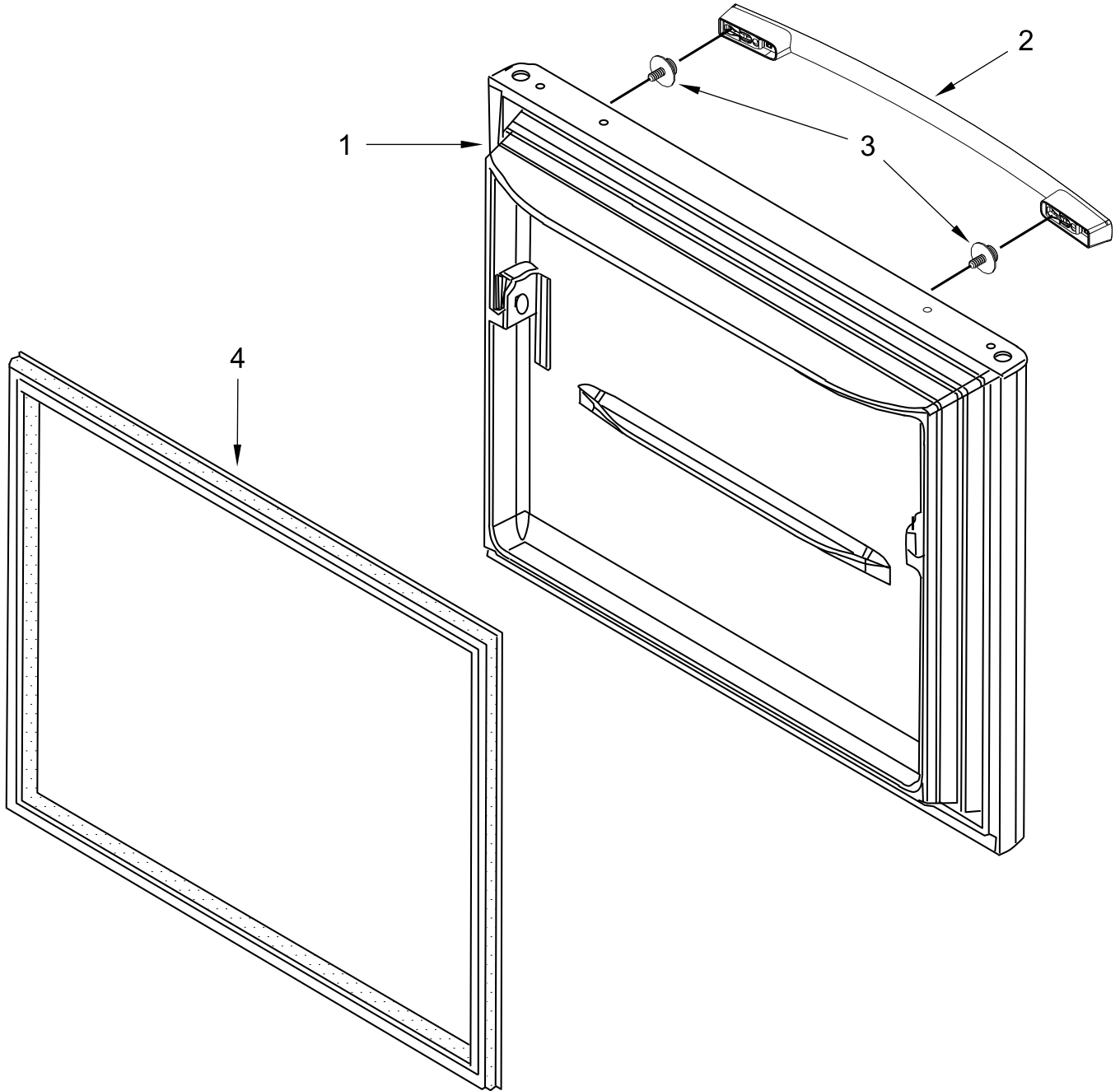
REFRIGERATOR DOOR PARTS



REFRIGERATOR DOOR PARTS

<u>Illus. No.</u>	<u>Part No.</u>	<u>Description</u>	<u>Illus. No.</u>	<u>Part No.</u>	<u>Description</u>	<u>Illus. No.</u>	<u>Part No.</u>	<u>Description</u>
1		Door, Refrigerator	6		Nameplate	10		Closure, Door
	13109402W	White		12528501	Stainless		12028505W	White
	13109402B	Black	7		Gasket, Door		12028505B	Black
	13107553S	Stainless		W10443309	White		12028505AP	Grey
2		Plug, Button		W10436245	Black	11	12557904	Retainer, Door
	12246607	White		W10443310	Grey	12	12990504	Screw
	2218872	Black	8		Handle, Door	13		Stop, Door
	12246610	Grey		W11188495	White		10447111	White
3	12804701SP	Door, Dairy		W10222985	Black		10447112	Black
4	12369502SP	Tray, Dairy		W10223019	Stainless		10447114	Grey
5	12557204	Bucket, Medium	9	W10288153	Screw	14	12557202	Bucket, Small

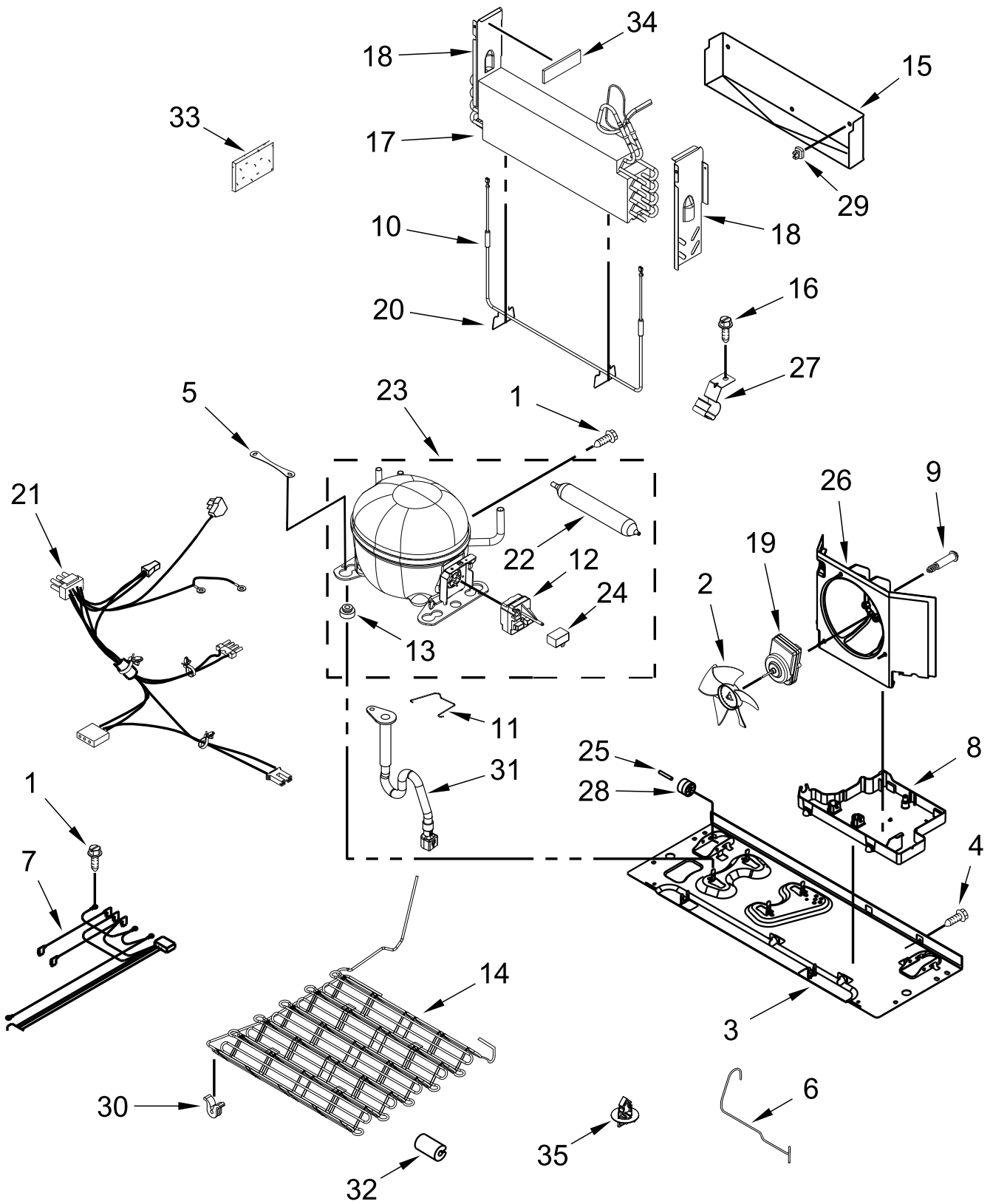
FREEZER DOOR PARTS



FREEZER DOOR PARTS

<u>Illus.</u> <u>No.</u>	<u>Part No.</u>	<u>Description</u>	<u>Illus.</u> <u>No.</u>	<u>Part No.</u>	<u>Description</u>	<u>Illus.</u> <u>No.</u>	<u>Part No.</u>	<u>Description</u>
1		Door, Freezer	2		Handle, Door	4		Gasket, Door
	13109220W	White		W11188495	White		W10443311	White
	13109220B	Black		W10222985	Black		W10436247	Black
	13109223S	Stainless		W10223019	Stainless		W10443312	Grey
			3	W10288153	Screw			

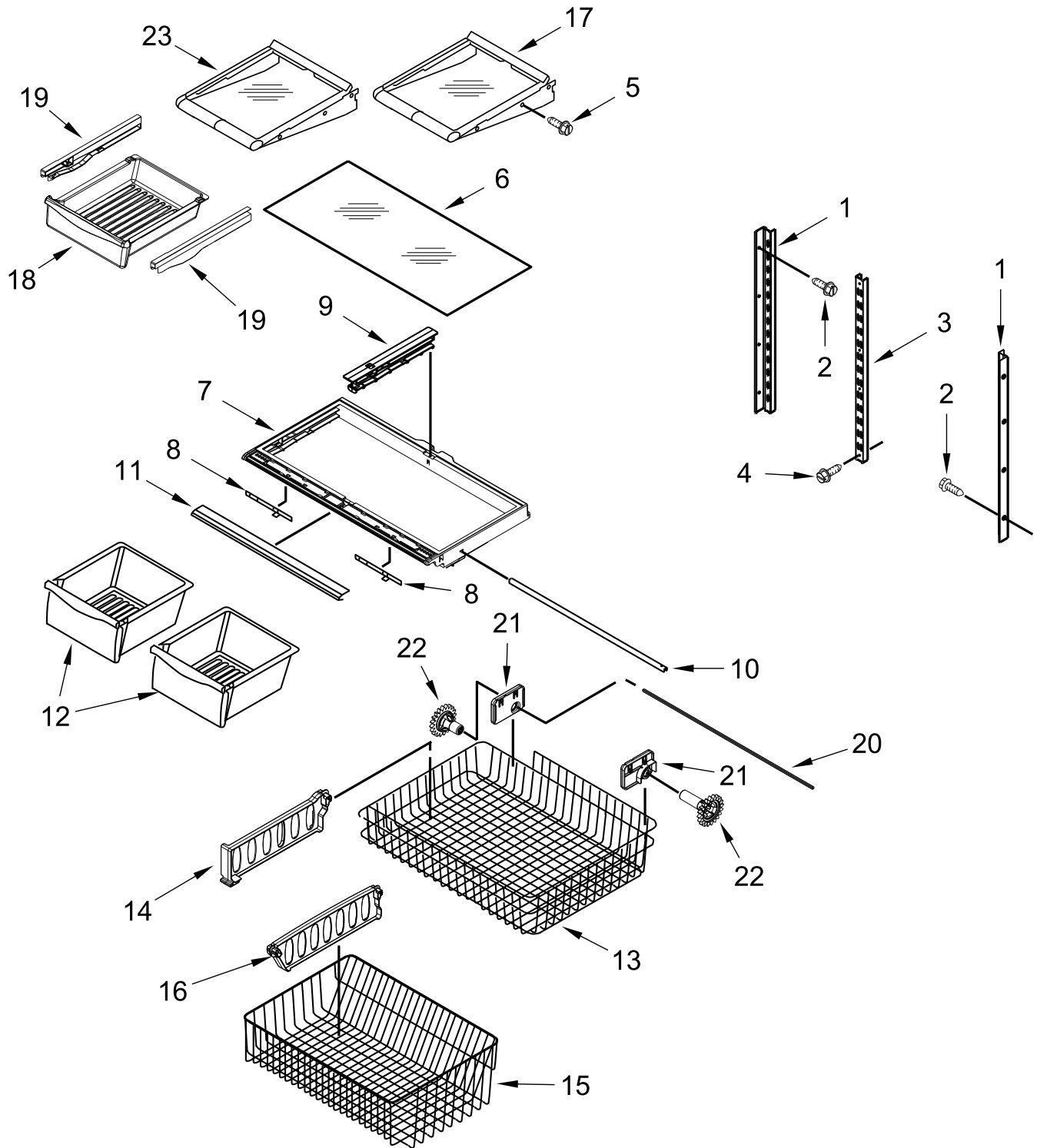
UNIT PARTS



UNIT PARTS

<u>Illus.</u> <u>No.</u>	<u>Part No.</u>	<u>Description</u>	<u>Illus.</u> <u>No.</u>	<u>Part No.</u>	<u>Description</u>	<u>Illus.</u> <u>No.</u>	<u>Part No.</u>	<u>Description</u>
1	12992301	Screw	18		Dam	32	2319835	Grommet, Condenser
2	12825803	Blade, Fan		12225602	Left Hand	33	2169104	Insulation, Sound Deadening
3	W10480107	Basepan		12225702	Right Hand			
4	12990511	Screw	19	W11373924	Motor, Condenser Fan	34	W11244122	Gasket, Foam
5	W10236396	Strap, Compressor	20	10428101	Clip, Heater	35	W10815863	Clip, Condenser
6	W11372725	Tube, Discharge	21	W11218258	Harness, Unit (Includes Power Cord)			Following Parts Not Illustrated
7	W11050969	Harness, Evaporator (Includes Heater)	22	W10177049	Drier		978025	Valve, Access (1/4")
8	W10655367	Pan, Drain	23	W10743447	Compressor		978026	Valve, Access (5/16")
9	W10622701	Screw	24	W10642075	Dummy Capacitor		978027	Valve, Access (3/8")
10	12729127	Heater, Evaporator	25	12477202	Axle, Roller		978029	Valve, Access (5/8")
11	W10216075	Strap, Bale	26	W10189184	Shroud, Condenser Fan		978030	Valve, Access (3/4")
12	W10796752	Device, Start	27	W10281329	Clip, Drier		876764	Valve, Access (3/16")
13	10835903	Grommet	28	12477102	Roller			REFRIGERANT CHARGE
14	W11353139	Condenser	29	10623002	Clip, Evaporator			5.50 oz. (R-134A)
15	W10292801	Tray, Drip	30	W10137529	Grommet, Condenser			
16	12992101	Screw	31	W10622098	Extension, Drain			
17	W10662565	Evaporator						

SHELF PARTS



SHELF PARTS

<u>Illus. No.</u>	<u>Part No.</u>	<u>Description</u>	<u>Illus. No.</u>	<u>Part No.</u>	<u>Description</u>	<u>Illus. No.</u>	<u>Part No.</u>	<u>Description</u>
1	W10251970	Ladder, Side	12	12531305	Pan, Crisper	19		Glide, Deli
2	12990513	Screw	13	W11115255	Basket, Freezer (Upper)		12656601V	Left Hand
3	W10273463	Ladder, Center					12656602V	Right Hand
4	W10215666	Screw	14	W10241046	Divider, Basket (Upper)	20	W10802340	Shaft, Rack
5	12990302V	Screw				21		Mount, Gear
6	12204823N	Glass, Crisper Cover	15	W11115779	Basket, Freezer (Lower)		W10348259	Left Hand
7	W10671240	Frame, Crisper					W10348260	Right Hand
8	12530805SP	Slide, Humidity Control	16	W10146440	Divider, Basket (Lower)	22		Gear
9	W10671238	Rail, Center Crisper	17	W11358358	Shelf, Stationary		W10474716	Left Hand
10	12227302WD	Brace, Crisper Cover	18	12656504V	Pan, Deli		W10474715	Right Hand
11	W10231481	Trim, Crisper				23	W11358359	Shelf, Glide Out

OPTIONAL PARTS

PAINT, TOUCH-UP (1/2OZ.)

<u>Illus. No.</u>	<u>Part No.</u>	<u>Description</u>
	72017	White
	72032	Black
	W10134625	Apollo Grey
	W10917540	Midnight Grey
	511873	White Porcelain (2 oz.)
	4392899	Biscuit/Bisque

PAINT, PRESSURIZED SPRAY (12 OZ.)

<u>Illus. No.</u>	<u>Part No.</u>	<u>Description</u>
	350930	White
	350939	Enamel, Black
	285006	Black
	350942	White Primer
	4392901	Biscuit/Bisque

PAINT, BULK (1 QT.)

<u>Illus. No.</u>	<u>Part No.</u>	<u>Description</u>
	799344	White (Uncut)

MISCELLANEOUS

<u>Illus. No.</u>	<u>Part No.</u>	<u>Description</u>
	212643	Sealer, Gum (4 Feet)
	479502	Tape, Vinyl (3/4 x 108")
	876370	Insulation (2 Pieces, 3" x 24" x 48")
	876305	Insulation Kit (14 Pieces, 3" x 24" x 48")
	978941	Insulation, Fiberglass (63 1/2" x 35 1/2" x 2 5/8")
	876029	Kit, Foam Slab (30" x 32 1/2" x 1 1/2")
	505587	Sealer, Mastic (1 Qt)
	503695	Cork, Sealer
	20000008	Cleaner, Stainless Steel
	542638	Grease, Silicone (1/2 Oz.)
	542639	Cement, Alumilastic (1 1/4 Oz.)
	833938	Kit, Terminal Connector
	8003RP	Kit, Water Inlet
	IC13B	Icemaker Kit

TORX SCREW WRENCH

<u>Illus. No.</u>	<u>Part No.</u>	<u>Description</u>
	1117510	Torx Key