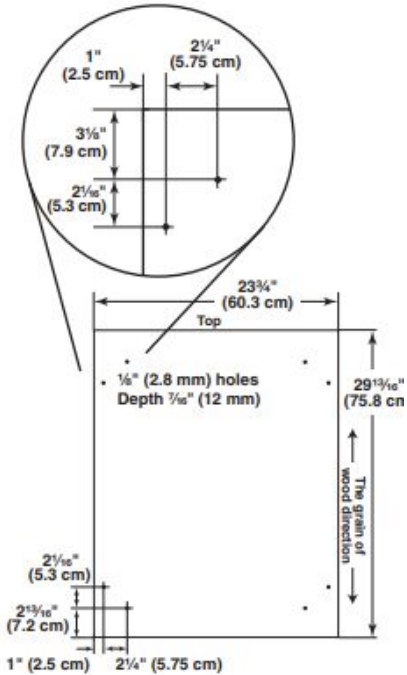
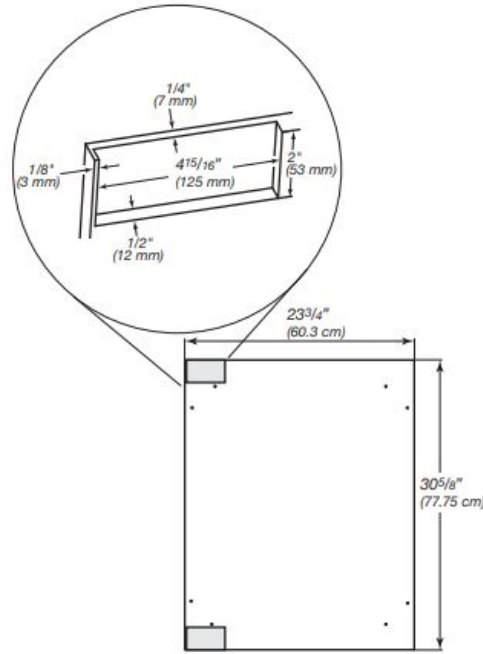


KITCHENAID PANEL READY UC REFRIGERATOR CUSTOM PANEL DIMENSIONS UPDATES

OLD DISCO MODEL



NEW TRANSITION MODEL



Solid door overlay panel and hinge routing dimensions

UPDATES

Old Disco Dimensions

- Height = 29 13/16"
- Width = 23 3/4"

New Transition Dimensions

- Height = 30 5/8"
- Width = 23 3/4"

Dimension Changes

- Height = **+ 13/16"**
- Width = 0"

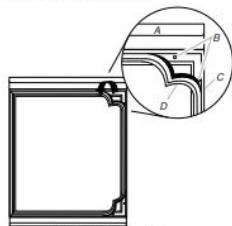
KITCHENAID PANEL READY UC REFRIGERATOR CUSTOM PANEL INSTALLATION UPDATES

OLD DISCO MODEL

Instructions found on Pg. 7 of Use & Care Guide

Attach the Overlay Panel

1. Gently pull back the gasket from all four corners. Pull back far enough that two screws are visible in each corner (eight total screws). Remove all eight screws.



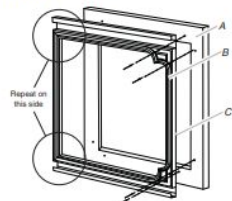
A. Hinge plate
B. Screws
C. Door
D. Gasket

2. Position the overlay panel so that the holes in the panel align with the holes in the door liner.

NOTE: C-clamps are recommended to keep the overlay panel and door liner aligned and to limit movement of the pieces.

3. Once all holes are aligned, fasten the custom panel to the door using the screws provided as shown.

NOTE: The screws for this step are in a small plastic bag, located in the interior of the refrigerator.



A. Custom panel
B. Gasket
C. Door panel

Install the Door

IMPORTANT: To ensure proper operation, be sure to grease the top hinge, top spacer and washer with petroleum jelly.

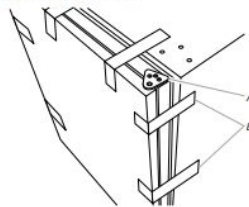
1. Using petroleum jelly, grease the bottom spacer hole and the bottom hinge pin. Align the washer with the bottom spacer hole.

2. Install the door by inserting the bottom hinge pin into the bottom spacer hole. Be sure the washer stays in place. Slowly lower the door straight down and evenly onto the bottom hinge pin.

3. Close the door and check that it is properly aligned to the cabinet.

NOTE: Provide additional support for the door when moving the hinges. Do not depend on the door magnets to hold the door in place while you are working.

4. Using masking tape, secure the door to the cabinet before installing the spacer, as shown.



A. Top spacer
B. Masking tape

5. Place the washer on the top spacer and align the holes.

Grease the top hinge pin, top spacer and washer with petroleum jelly. Insert the top hinge pin into the washer and top spacer.

NEW TRANSITION MODEL

Instructions found on Pg. 6 of Owner's Manual

- Dispose of and/or recycle all packaging materials.
- After all packaging materials have been removed, clean the inside of your refrigerator. Refer the cleaning instructions in "Cleaning" section.

Important information to know about glass shelves and covers:

Do not clean glass shelves or covers with warm water when they are cold. Shelves and covers may break if exposed to sudden temperature changes or impact, such as bumping. Tempered glass is designed to shatter into many small, pebble-size pieces. This is normal. Glass shelves and covers are heavy. Use both hands when removing them to avoid dropping.

NOTE: For standard stainless steel or glass door models, skip to "Door Cleaning" section.

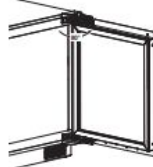
Custom Overlay Panel Installation

IMPORTANT:

- Create custom overlay panel according to the specifications in the "Custom Overlay Panel" section.

• KitchenAid is not responsible for the removal or addition of molding or decorative panels that would not allow access to the refrigerator for service.

1. Open the door completely to 90°.

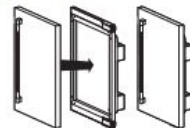


2. Remove the gasket from the corners of the door, pulling gently until the two screw holes in each corner of the door can be seen.

NOTE: The gasket does not have to be removed from the door, only the corners.

A. Screw holes
B. Gasket

3. Using two people, hold the custom overlay panel against the door. Be sure that the top and bottom hinges fit accurately into the routing on back of the custom wood panel.



NOTE: Handle needs to be installed before the custom overlay door panel has been installed on the refrigerator door.

4. Fasten the custom panel to the door using two wood screws (provided in installation kit) at each corner.



A. 1M x 30 (althread screws (provided in installation kit)

5. Press the gasket firmly back into its original position.



Models Represented:
KURL114KPA
KURR114KPA