

# 30" Gas Rangetop

PRGRT30500SS



GENERAL	
Heating Technology	Gas
Type	Built-in
Finish	Stainless Steel
Control Type	Front Knob Control
Knob Illumination	Yes
BURNER POWER LEVELS	
Burner Configuration	5 Gas
Front Left	18,000 BTU / 2,400 BTU
Front Right	18,000 BTU / 2,400 BTU
Rear Left	10,000 BTU
Rear Right	10,000 BTU
Central	12,000 BTU
SPECIAL FEATURES	
Auto Re-ignition	Yes
Continuous Cast Iron Pan Support	Yes
Sealed Burners	Yes
ACCESSORIES	
Side Trim Kit	Optional
LPG Conversion Kit	Included
TECHNICAL INFORMATION	
Voltage/Frequency	110 - 120V, 60Hz, 1A
Total Gas Consumption	68,000 BTU
Total Electric Power	1 Watt
DIMENSIONS	
Required Cutout Dim (H x W x D)	7 <sup>2</sup> / <sub>16</sub> " x 30" x 24 <sup>3</sup> / <sub>16</sub> " (19.5 x 76.2 x 62.8 cm)
Product Dimensions (H x W x D)	7 <sup>11</sup> / <sub>16</sub> " x 30" x 27 <sup>9</sup> / <sub>16</sub> " (19.5 x 76.2 x 69.8 cm)
Product Weight	66.1 lbs. (30 kg)
Packed Dimensions (H x W x D)	12 <sup>5</sup> / <sub>8</sub> " x 35 <sup>1</sup> / <sub>16</sub> " x 31 <sup>1</sup> / <sub>2</sub> " (32 x 89 x 80 cm)
Packed Weight	77.2 lbs. (35 kg)

## KEY FEATURES

- Sealed Burners
- Knob Illumination
- Auto Re-ignition



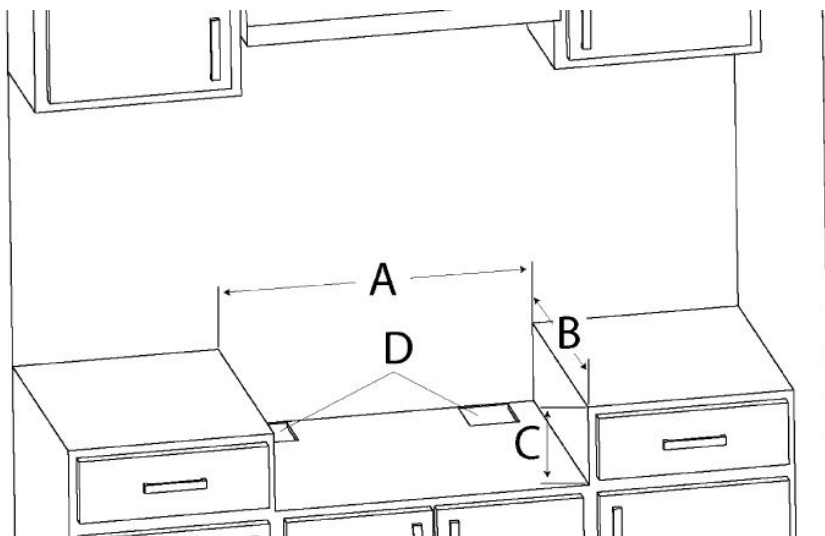
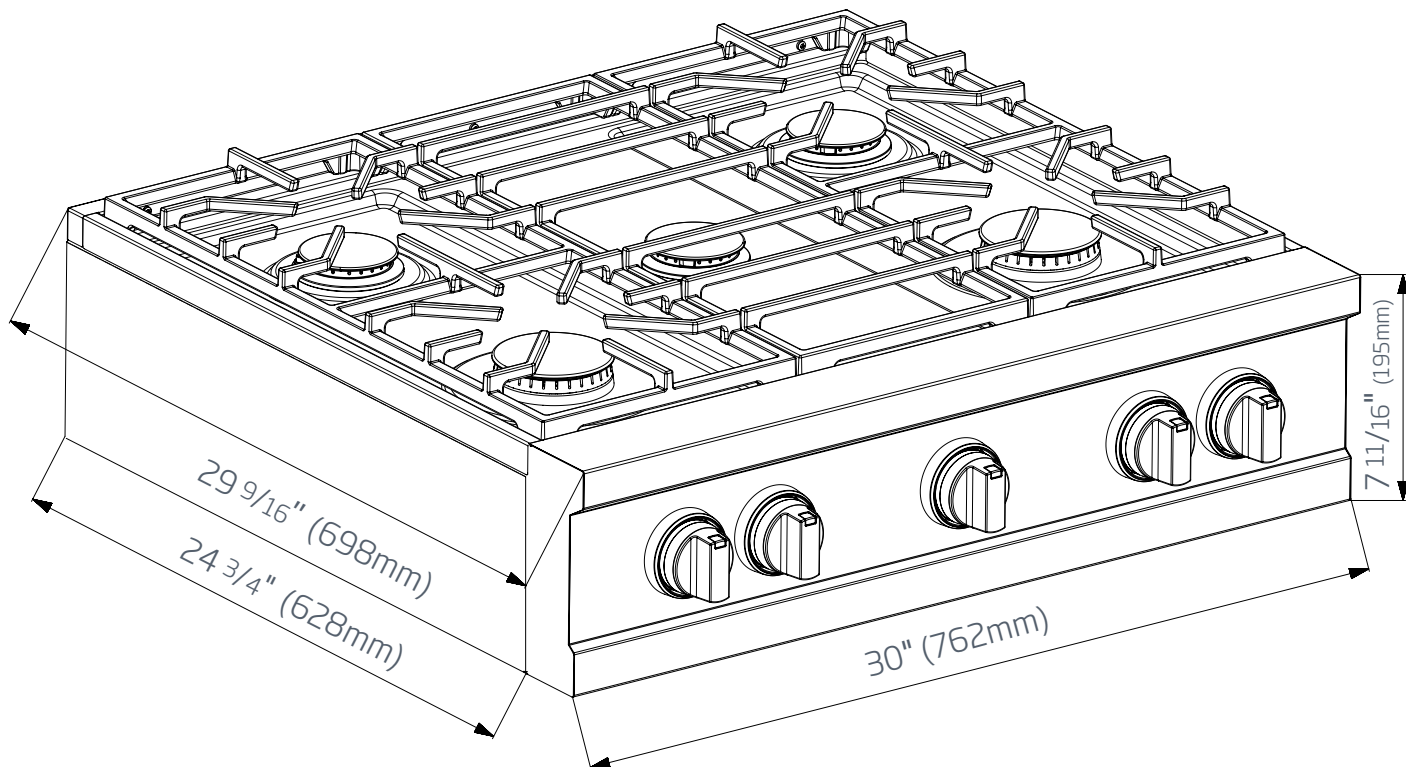
**Knob Illumination**



**18,000 BTU Front Power Burners**



**Continuous Grates**



### Cutout Dimensions

A	B	C	D
30" (762mm)	24 12/16" (628mm)	7 2/3" (195mm)	To ensure safety there must be separate holes for electrical and gas supply.

Note: The dimension B (628 mm) is slightly larger than the depth till the front Rangetop bezel (625 mm) to hide the meeting point of the two surfaces within the furniture.

NOTE TO THE INSTALLER: All height, width, and depth dimensions are shown in inches (as well as metric). Beko U.S., Inc. reserves the absolute and unrestricted right to change product materials and specifications, at any time, without notice. Please visit our website, [www.BekoAppliances.com](http://www.BekoAppliances.com), or call 888.352.2356 to verify the latest specifications with final dimensional data and other details prior to installation and making a cutout. Applicable product limited warranty information may be found in accompanying product materials, or you may contact your account manager for further details. Proper installation is the responsibility of the installer. Product failure due to improper installation is not covered under the Limited Warranty.