

# Installation Instructions

## Over the Range Microwave Oven

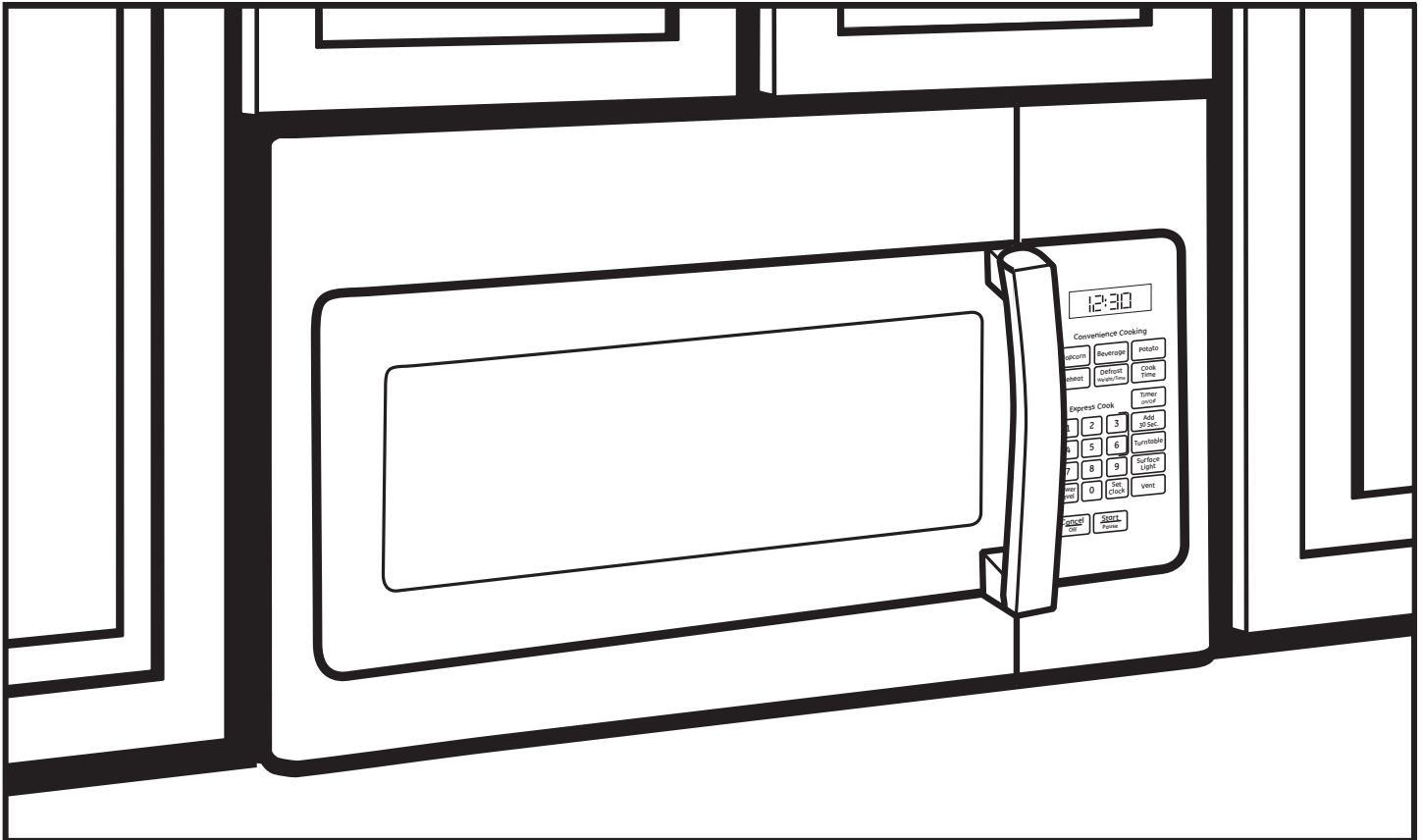
AVM4160, JNM3161, JVM3160,  
and RVM5160

Questions? Call 800.GE.CARES (800.432.2737) or Visit our Website at: [GEAppliances.com](http://GEAppliances.com)

### BEFORE YOU BEGIN

Read these instructions completely and carefully.

- **IMPORTANT** — Save these instructions for local inspector's use.
- **IMPORTANT** — Observe all governing codes and ordinances.
- **Note to Installer** — Be sure to leave these instructions with the consumer.
- **Note to Consumer** — Keep these instructions for future reference.
- **Skill level** — Installation of this appliance requires basic mechanical and electrical skills.
- Proper installation is the responsibility of the installer.
- Product failure due to improper installation is not covered under the warranty.



Throughout this manual, features and appearance may vary from your model.

**READ CAREFULLY. KEEP THESE INSTRUCTIONS.**

# Installation Instructions

## CONTENTS

### General information

Important Safety Instructions .....	3
Electrical Requirements.....	3
Tools You Will Need.....	4
Hood Exhaust .....	5,6
Damage – Shipment/Installation .....	7
Parts Included.....	7
Mounting Space.....	8

### Step-by-step installation guide

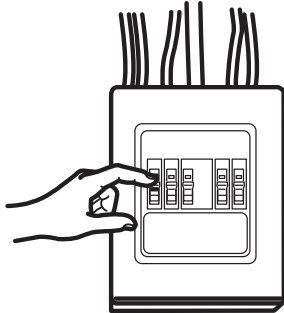
Placement of Mounting Plate .....	9-11
Removing the Mounting Plate .....	9
Finding the Wall Studs .....	9
Determining Mounting Plate Location .....	10
Aligning the Mounting Plate .....	11
Installation Types .....	12-23
<b>A</b> Recirculating.....	13-16
Attach Mounting Plate to Wall .....	13
Preparation of Top Cabinet .....	13
Adjust the Blower.....	14
Installing the Charcoal Filter .....	15
Mount the Microwave Oven.....	15, 16
Installing the Charcoal Filter without Top Access.....	16
<b>B</b> Outside Top Exhaust.....	17-20
Attach Mounting Plate to Wall .....	17
Preparation of Top Cabinet .....	18
Adjust Blower Motor.....	18
Assemble and Install Adaptor.....	19
Mount the Microwave Oven.....	19, 20
Connecting Ductwork.....	20

<b>C</b> Outside Back Exhaust.....	21-24
Installation Overview.....	21
Preparing Rear Wall for Outside Back Exhaust .....	21
Attach Mounting Plate to Wall .....	21, 22
Preparation of Top Cabinet .....	22
Adapting Blower for Outside Back Exhaust .....	22, 23
Mount the Microwave Oven.....	23, 24
<b>Before You Use Your Microwave Oven .....</b>	<b>25</b>

# Installation Instructions

## IMPORTANT SAFETY INSTRUCTIONS

A qualified electrician must perform a ground continuity check on the wall receptacle before beginning the installation to ensure that the outlet box is properly grounded. If not properly grounded, or if the wall receptacle does not meet electrical requirements noted (under ELECTRICAL REQUIREMENTS), a qualified electrician should be employed to correct any deficiencies.

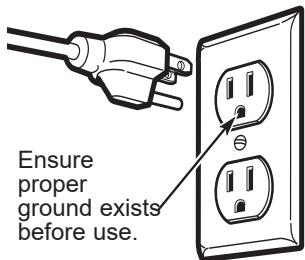


### **⚠ WARNING**

**Risk of Electric Shock. Can cause injury or death: Remove house fuse or open circuit breaker before beginning installation to avoid severe or fatal shock injury.**

### **⚠ WARNING**

**Risk of Electric Shock. Can cause injury or death: THIS APPLIANCE MUST BE PROPERLY GROUNDED to avoid severe or fatal shock.**



### **120 V Models**

The power cord of this appliance is equipped with a three-prong (grounding) plug which mates with a standard three-prong (grounding) wall receptacle to minimize the possibility of electric shock hazard from this appliance.

Where a standard two-prong wall receptacle is encountered, it must be replaced with a properly grounded three-prong wall receptacle, installed by a qualified electrician.

### **⚠ WARNING**

**Risk of Electric Shock. Can cause injury or death: DO NOT, under any circumstances, cut, deform or remove any of the prongs from the power cord. Do not use with an extension cord. Failure to comply may cause fire.**

### **⚠ CAUTION**

For personal safety, the mounting surface must be capable of supporting the cabinet load, in addition to the added weight of this 63–85 pound product, plus additional microwave oven loads of up to 50 pounds or a total weight of 113–135 pounds.

### **⚠ CAUTION**

For personal safety, this product cannot be installed in cabinet arrangements such as an island or a peninsula. It must be mounted to BOTH a top cabinet AND a back wall.

### **⚠ CAUTION**

To avoid the risk of personal injury (back injury or other injuries due to excessive weight of the microwave) or property damage, you will need two people to install this microwave.

## ELECTRICAL REQUIREMENTS

### **120 V Models**

This product requires a three-prong grounded outlet. Product rating is 120 volts AC, 60 Hertz, 15 amps, and 1.70 kilowatts. This product must be connected to a supply circuit of the proper voltage and frequency. Wire size must conform to the requirements of the National Electrical Code or the prevailing local code for this kilowatt rating. The power supply cord and plug should be brought to a separate 15 to 20 ampere branch circuit single grounded outlet. The outlet box should be located in the cabinet above the microwave oven and away from any potential microwave ducting. The outlet box and supply circuit should be installed by a qualified electrician and conform to the National Electrical Code or the prevailing local code.

# Installation Instructions

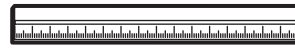
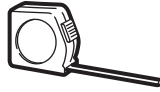
## TOOLS YOU WILL NEED



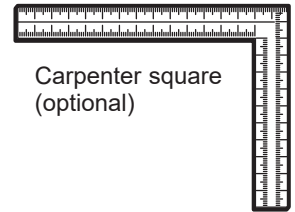
#1 and #2  
Phillips  
screwdriver



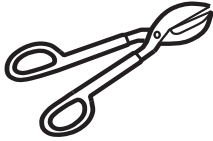
Pencil



Ruler or tape measure and  
straight edge



Carpenter square  
(optional)



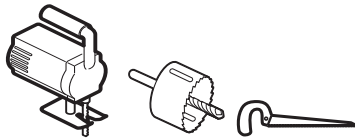
Tin snips (for cutting  
damper, if required)



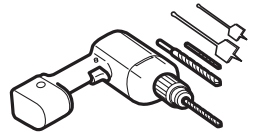
Scissors (to cut  
template, if necessary)



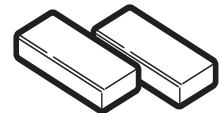
Gloves



Saw (saber, hole or keyhole)



Electric drill with  $\frac{3}{16}$ " ,  $\frac{7}{16}$ " ,  
 $\frac{1}{2}$ " and  $\frac{5}{8}$ " drill bits



Filler blocks or scrap  
wood pieces, if needed  
for top cabinet spacing  
(used on recessed  
bottom cabinet  
installations only)



Safety goggles



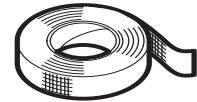
Level



Stud  
finder



Hammer (optional)



Duct and masking  
tape

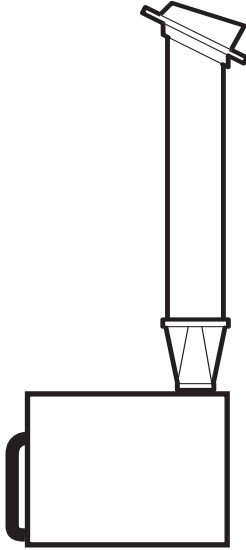
# Installation Instructions




## HOOD EXHAUST

**NOTE:** Read these next two pages only if you plan to vent your exhaust to the outside. If you plan to recirculate the air back into the room, proceed to page 6. Below are examples of Outside Top Exhaust and Outside Back Exhaust duct system layouts. Note the position of the microwave oven relative to the duct system.

### OUTSIDE TOP EXHAUST (EXAMPLE ONLY)

The following chart describes an example of one possible ductwork installation.

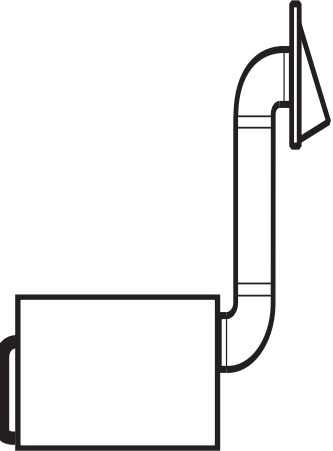


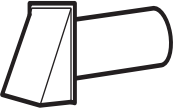


DUCT PIECES		EQUIVALENT LENGTH x	NUMBER USED =	EQUIVALENT LENGTH
	Roof Cap	24 Ft. x	(1) =	24 Ft.
	12 Ft. Straight Duct (6" Round)	12 Ft. x	(1) =	12 Ft.
	Rectangular-to-Round Transition Adaptor*	5 Ft. x	(1) =	5 Ft.
Equivalent lengths of duct pieces are based on actual tests and reflect requirements for good venting performance with any vent hood.				
<b>Total Length =</b>				<b>41 Ft.</b>

**\*IMPORTANT:** If a rectangular-to-round transition adaptor is used, the bottom corners of the damper will have to be cut to fit, using the tin snips, in order to allow free movement of the damper.

### OUTSIDE BACK EXHAUST (EXAMPLE ONLY)

The following chart describes an example of one possible ductwork installation.



DUCT PIECES		EQUIVALENT LENGTH* x	NUMBER USED =	EQUIVALENT LENGTH
	Wall Cap	40 Ft. x	(1) =	40 Ft.
	3 Ft. Straight Duct (3¼" x 10" Rectangular)	3 Ft. x	(1) =	3 Ft.
	90° Elbow	10 Ft. x	(2) =	20 Ft.
Equivalent lengths of duct pieces are based on actual tests and reflect requirements for good venting performance with any vent hood.				
<b>Total Length =</b>				<b>63 Ft.</b>

**NOTE:** For back exhaust, care should be taken to align exhaust with space between studs, or wall should be prepared at the time it is constructed by leaving enough space between the wall studs to accommodate exhaust.

# Installation Instructions

**NOTE:** If you need to install ducts, note that the total duct length of 3¼" x 10" rectangular or 6" diameter round duct should not exceed 140 equivalent feet. Outside ventilation requires a HOOD EXHAUST DUCT. Read the following carefully:

**NOTE:** It is important that venting be installed using the most direct route and with as few elbows as possible. This ensures clear venting of exhaust and helps prevent blockages. Also, make sure dampers swing freely and nothing is blocking the ducts.

### Exhaust connection:

The hood exhaust has been designed to mate with a standard 3¼" x 10" rectangular duct.





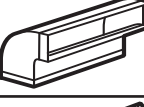



If a round duct is required, a rectangular-to-round transition adaptor must be used. Do not use less than a 6" diameter duct.

### Maximum duct length:

For satisfactory air movement, the total duct length of 3¼" x 10" rectangular or 6" diameter round duct **should not exceed 140 equivalent feet.**

### Elbows, transitions, wall and roof caps, etc.,

Present additional resistance to airflow and are equivalent to a section of straight duct which is longer than their actual physical size. When calculating the total duct length, add the equivalent lengths of all transitions and adaptors plus the length of all straight duct sections. The chart below shows you how to calculate total equivalent ductwork length using the approximate feet of equivalent length of some typical duct pieces.

DUCT PIECES	EQUIVALENT LENGTH	x	NUMBER USED	=	EQUIVALENT LENGTH	
 Rectangular-to-Round Transition Adaptor*	5 Ft.	x	( )	=	Ft.	
 Wall Cap	40 Ft.	x	( )	=	Ft.	
 90° Elbow	10 Ft.	x	( )	=	Ft.	
 45° Elbow	5 Ft.	x	( )	=	Ft.	
 90° Elbow	25 Ft.	x	( )	=	Ft.	
 45° Elbow	5 Ft.	x	( )	=	Ft.	
 Roof Cap	24 Ft.	x	( )	=	Ft.	
 Straight Duct 6" Round or 3¼" x 10" Rectangular	1 Ft.	x	( )	=	Ft.	
<b>Total Ductwork</b>					<b>=</b>	<b>Ft.</b>



**\* IMPORTANT:** If a rectangular-to-round transition adaptor is used, the bottom corners of the damper will have to be cut to fit, using the tin snips, in order to allow free movement of the damper.


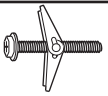



Equivalent lengths of duct pieces are based on actual tests and reflect requirements for good venting performance with any vent hood.

# Installation Instructions

## DAMAGE – SHIPMENT/ INSTALLATION

- If the unit is damaged in shipment, return the unit to the store in which it was bought for repair or replacement.
- If the unit is damaged by the customer, repair or replacement is the responsibility of the customer.
- If the unit is damaged by the installer (if other than the customer), repair or replacement must be made by arrangement between customer and installer.

## PARTS INCLUDED HARDWARE PACKET

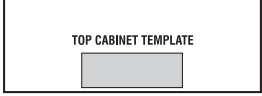
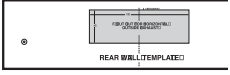

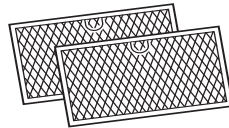

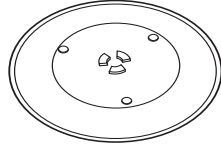
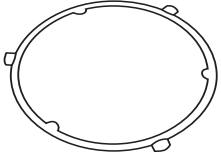
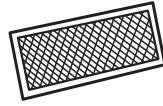
PART		QUANTITY
	Wood Screws (3/16" x 2")	2
	Toggle Bolts (and wing nuts) (1/4" x 3")	4
	Self-aligning Machine Screw (1/4"-28 x 3-1/4")	3
	Nylon Grommet (for metal cabinets)	2
	Power Cord Strap (plastic)	1

You will find the installation hardware contained in a packet with the unit. Check to make sure you have all these parts.

**NOTE:** Some extra parts are included.

## PARTS INCLUDED

### ADDITIONAL PARTS

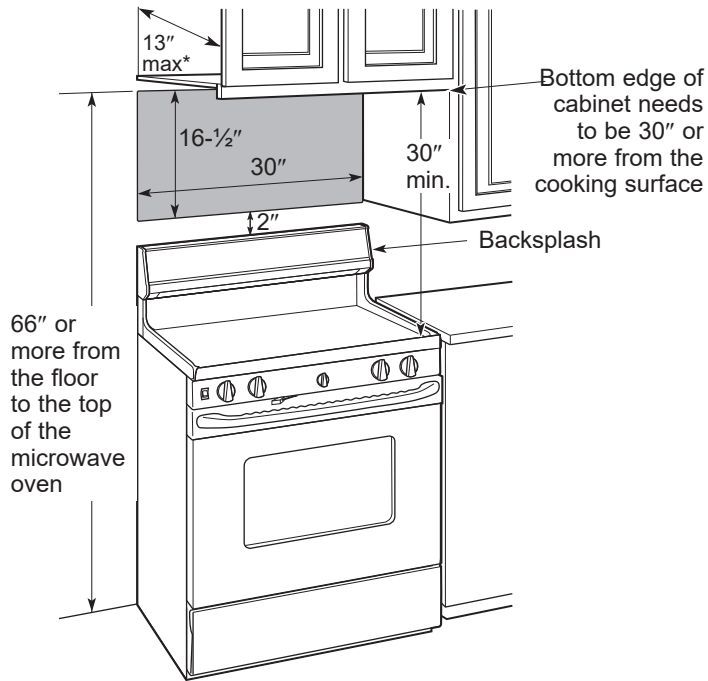
PART		QUANTITY
	Top Cabinet Template	1
	Rear Wall Template	1
	Installation Instructions and Owners Manual	1 1
	Grease Filters	2
	Exhaust Adaptor	1
	Tray	1
	Turntable Ring	1
	Charcoal Filter (on some models)	1*

**\* NOTE:**

- For JVM3160 and AVM4160, filter is in accessory pack. It is not installed in the product.
- For JNM3161, filter is already installed in the product.
- For RVM5160, filter not included.

# Installation Instructions

## MOUNTING SPACE



### NOTES:

- The space between the cabinets must be 30" wide and free of obstructions.
  - This microwave oven is for installation over ranges up to 36" wide.
  - If you are going to vent your microwave oven to the outside, see Hood Exhaust Section for exhaust duct preparation.
  - When installing the microwave oven beneath smooth, flat cabinets, be careful to follow the instructions on the top cabinet template for power cord clearance.
  - For models setup in Recirc Exhaust: Do not allow cabinetry or other objects to block the airflow of the vent.
  - The product should not be installed over any cooktop or range with a combined BTU greater than 60,000 BTU.
- \* 13" max: for standard installation, 15" cabinet depth requires additional steps using an additional installation kit JX15BUMPWW/BB.

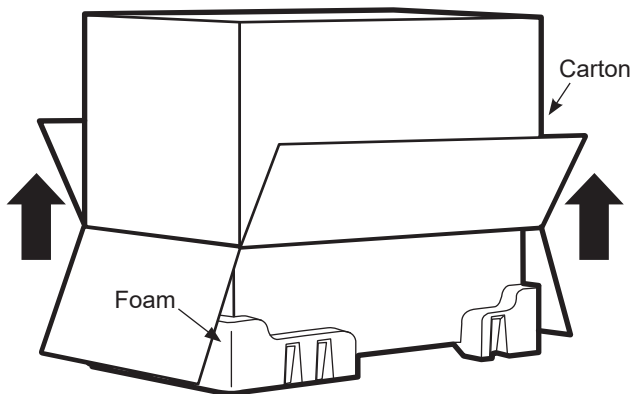


# Installation Instructions

## 1 PLACEMENT OF THE MOUNTING PLATE

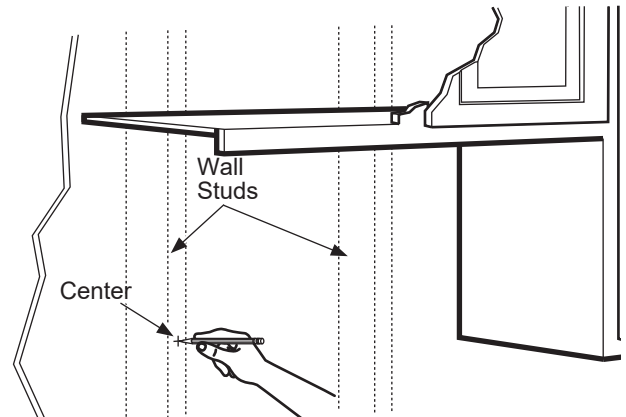
### A REMOVING THE MICROWAVE OVEN FROM THE CARTON/ REMOVING THE MOUNTING PLATE

- 1 Open the box and fold back all four carton flaps fully against the carton sides. Remove the following items from the protective foam: installation instructions, filters, exhaust adaptor, damper, and the small hardware bag. Do not remove the foam protecting the front of the microwave oven.
- 2 Then carefully roll the microwave oven and carton over onto the top side. The microwave oven should be resting in the foam.



- 3 Pull the carton up and off the microwave oven.
- 4 The mounting plate is attached to the back of the microwave oven. Remove the two screws holding it to the microwave oven. The plate will be used as the rear wall template and for mounting the microwave oven to the wall.
- 5 Set the microwave oven upright. Remove and properly discard plastic bags and foam.
- 6 Open the microwave oven door and remove the plastic sheet and tape from inside the microwave oven door. Remove the tape covering the turntable hub.

### B FINDING THE WALL STUDS

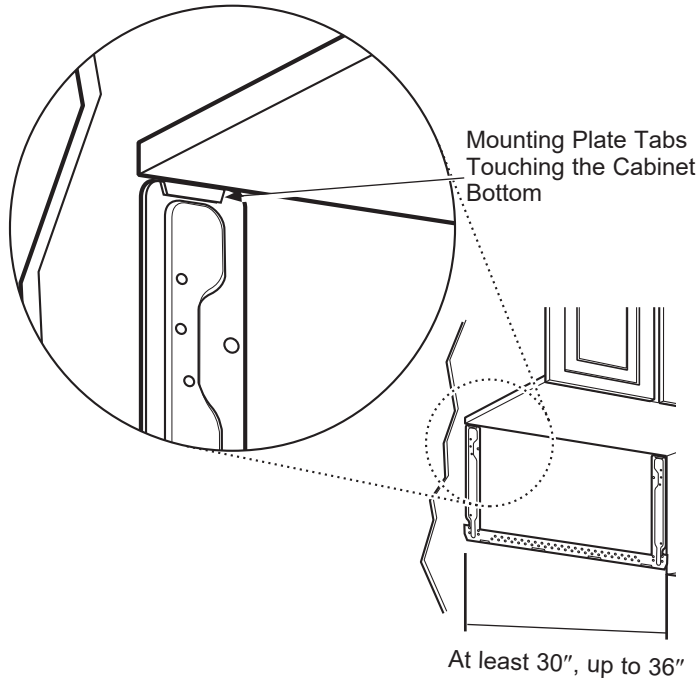


- 1 Find the studs, using one of the following methods:
    - A. Stud finder.
    - OR
    - B. Use a hammer to tap lightly across the mounting surface to find a solid sound. This will indicate a stud location.
  - 2 After locating the stud(s), find the center by probing the wall with a small nail to find the edges of the stud. Then place a mark halfway between the edges.
  - 3 The center of any adjacent studs should be 16" or 24" from this mark.  
Draw a line down the center of the studs.
- IMPORTANT:** The microwave must be connected to at least one wall stud.

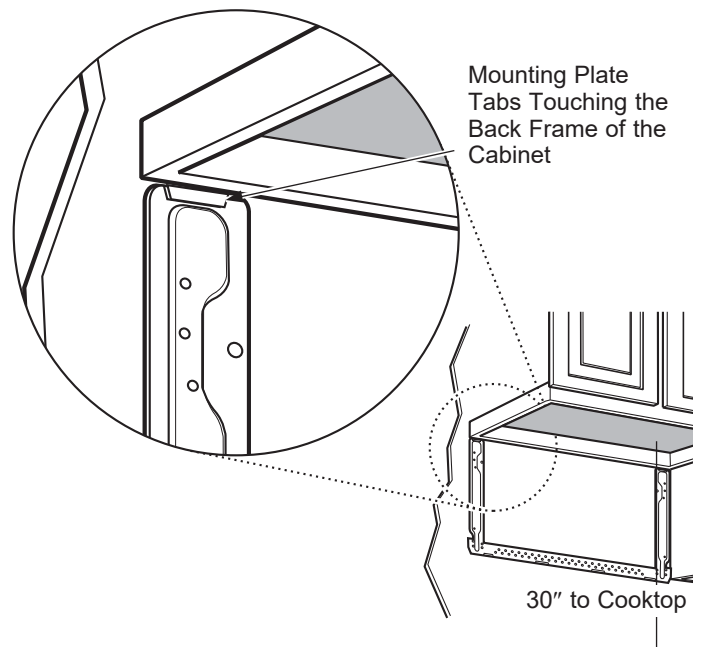
# Installation Instructions

## C DETERMINING MOUNTING PLATE LOCATION UNDER YOUR CABINET

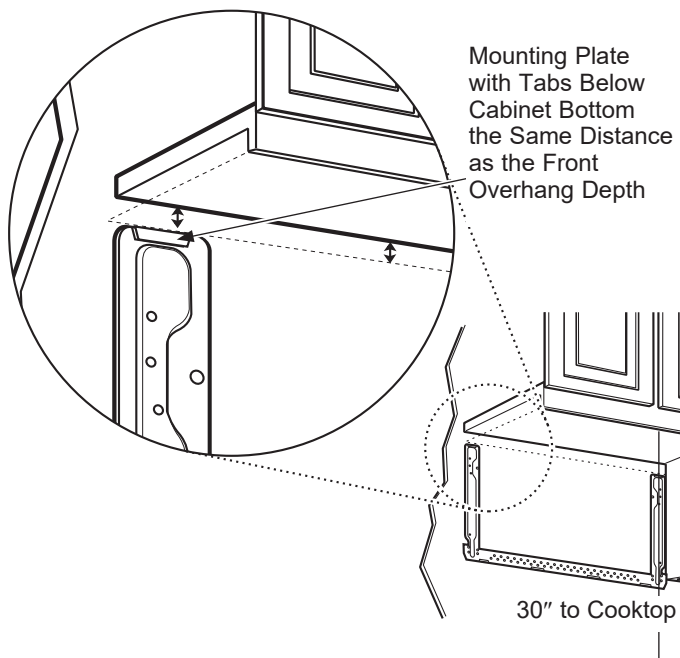
### Plate Position – flat bottom cabinet



### Plate Position – recessed cabinet bottom



### Plate Position – cabinet with front overhang



Your cabinets may have decorative trim that interferes with the microwave oven installation. You may need to remove the decorative trim to install the microwave oven properly and to make it level.

#### **THE MICROWAVE OVEN MUST BE LEVEL.**

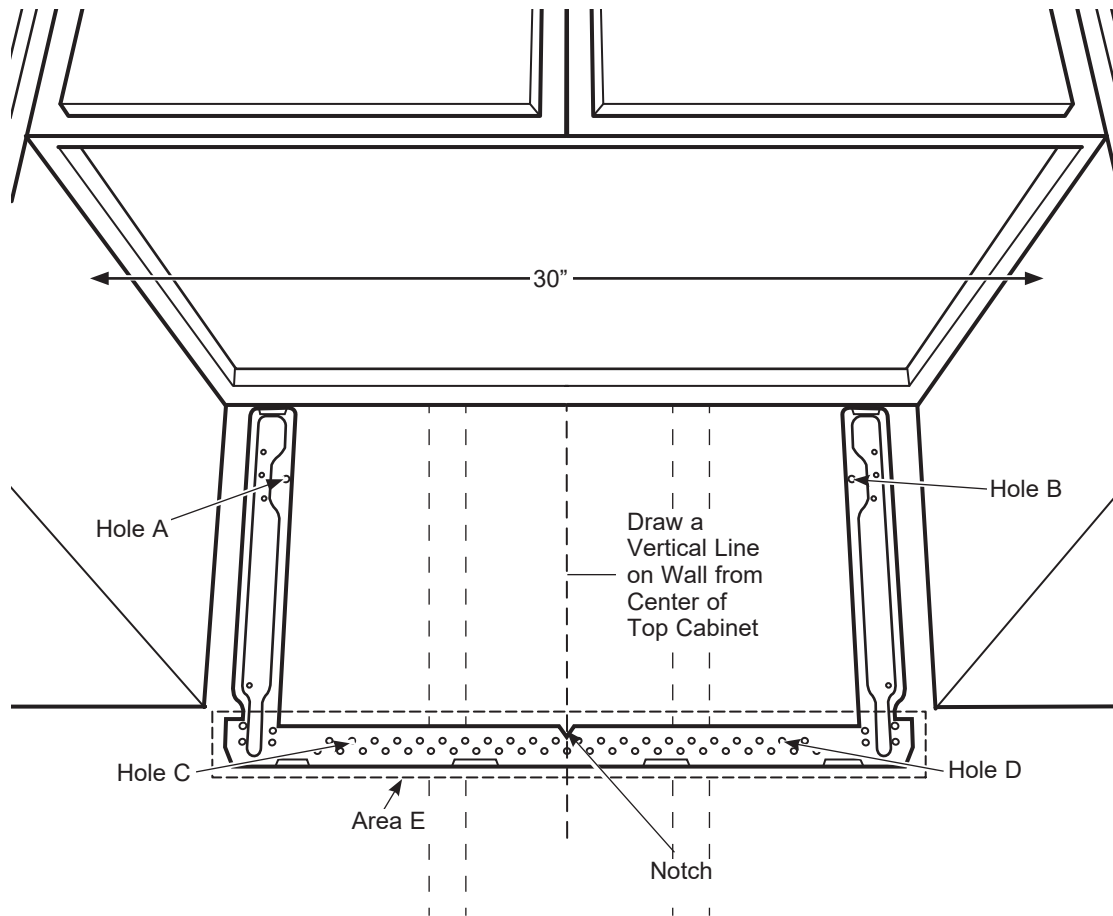
Use a level to make sure the cabinet bottom is level.

If the cabinets have a front overhang, install the mounting plate down the same distance as the front overhang depth. This will keep the microwave oven level.

- 1 Measure the inside depth of the front overhang.
- 2 Draw a horizontal line on the back wall an equal distance below the cabinet bottom as the inside depth of the front overhang.
- 3 For this type of installation with front overhang, align the mounting tabs with this horizontal line, not touching the cabinet bottom as described in Step D.

# Installation Instructions

## D ALIGNING THE MOUNTING PLATE



**CAUTION** Wear gloves to avoid cutting fingers on sharp edges.

- 1 Draw a vertical line on the wall at the center of the 30" wide space.
- 2 Use the mounting plate as the template for the rear wall. Place the mounting plate on the wall, making sure that the tabs are touching the bottom of the cabinet or the level line drawn in Step C for cabinets with front overhang. Line up the notch and center line on the mounting plate to the center line on the wall.
- 3 While holding the mounting plate with one hand, draw circles on the wall at holes A, B, C, and D (see illustration above/actual plate marked with arrows). Four holes must be used for mounting.

**NOTE:** Holes C and D are inside area E. If neither C nor D is in a stud, find a stud somewhere in area E and draw a fifth circle to line up with the stud. It is important to use at least one wood screw mounted firmly in a stud to support the weight of the microwave oven. Set the mounting plate aside.

**WARNING** Risk of electric shock. Can cause injury or death. Take care to not drill into electrical wiring inside walls or cabinets.

- 4 Drill holes on the circles. If there is a stud, drill a  $\frac{3}{16}$ " hole for wood screws. For holes that don't line up with a stud, drill a  $\frac{5}{8}$ " hole for toggle bolts.

**NOTE: DO NOT MOUNT THE PLATE AT THIS TIME.**

# Installation Instructions

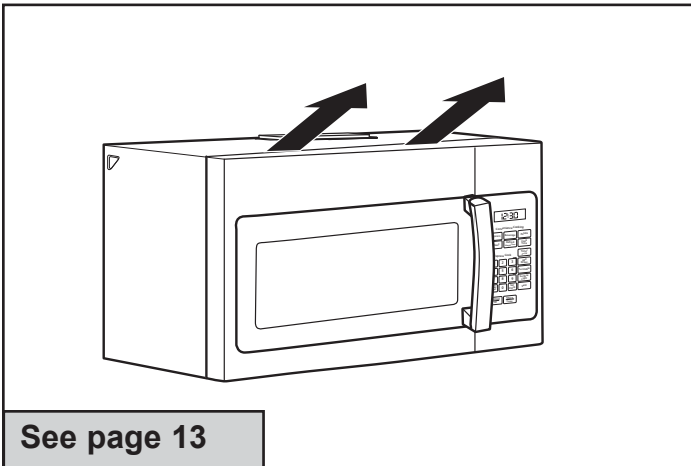
## 2 INSTALLATION TYPES (Choose A, B or C)

This microwave oven is designed for adaptation to the following 3 types of ventilation:

- A. Recirculating (Non-Vented Ductless)
- B. Outside Top Exhaust (Vertical Duct)
- C. Outside Back Exhaust (Horizontal Duct)

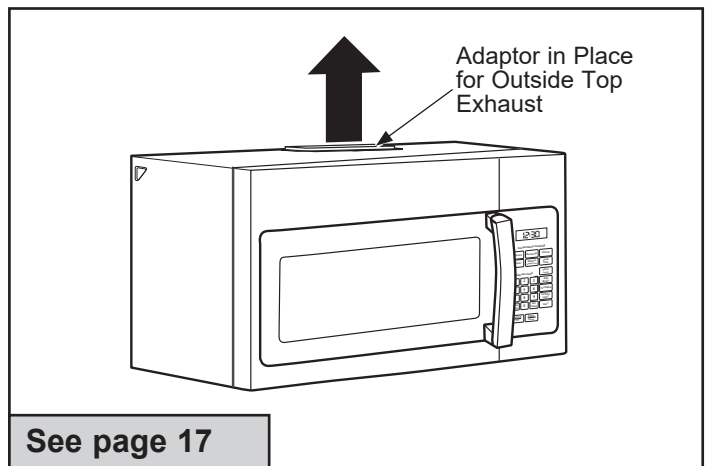
**NOTE:** Select the type of ventilation required for your installation and proceed to that section.

### A RECIRCULATING (NON-VENTED DUCTLESS)

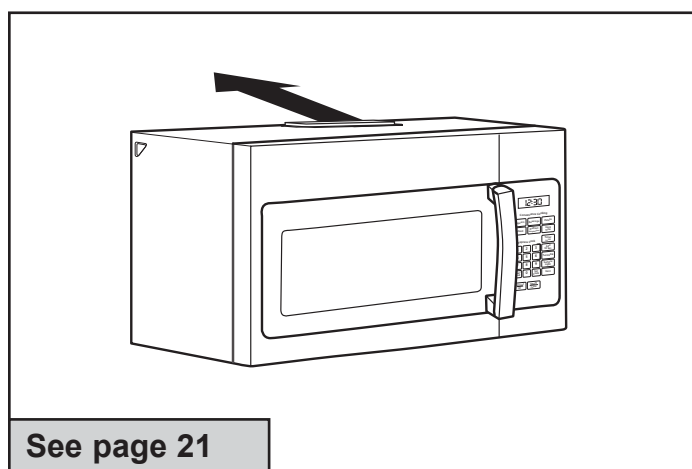


A Charcoal Filter Accessory Kit is required for the non-vented exhaust. (See your Owner's Manual for the kit number.)

### B OUTSIDE TOP EXHAUST (VERTICAL DUCT)



### C OUTSIDE BACK EXHAUST (HORIZONTAL DUCT)

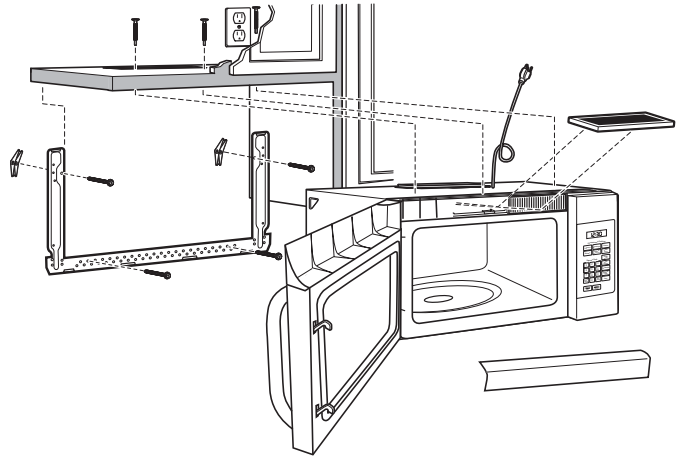


# Installation Instructions

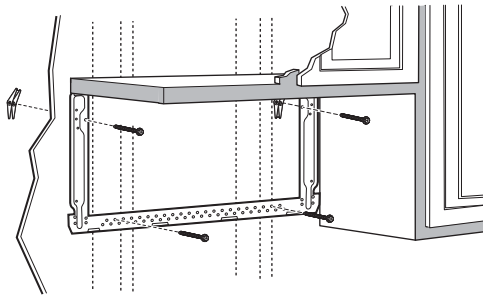
## A RECIRCULATING (Non-Vented Ductless)

### INSTALLATION OVERVIEW

- A1. Attach Mounting Plate to Wall
- A2. Prepare Top Cabinet
- A3. Install Charcoal Filter (Supplied with AVM4160 and JVM3160 models)
- A4. Mount the microwave oven
- A5. Installing/Replacing the Charcoal Filter Without Access to Top Screws and the Unit Has Already Been Mounted.



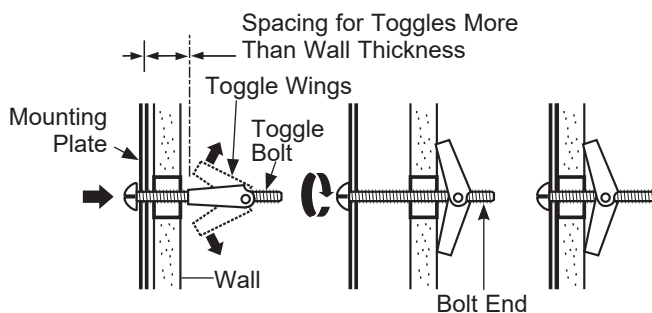
### A1 ATTACH THE MOUNTING PLATE TO THE WALL



Attach the plate to the wall using toggle bolts. At least one wood screw must be used to attach the plate to a wall stud.

- 1 Remove the toggle wings from the bolts.
- 2 Insert the bolts into the mounting plate through the holes designated to go into drywall and reattach the toggle wings to  $\frac{3}{4}$ " onto each bolt.

#### To use toggle bolts:



- 3 Place the mounting plate against the wall and insert the toggle wings into the holes in the wall to mount the plate.

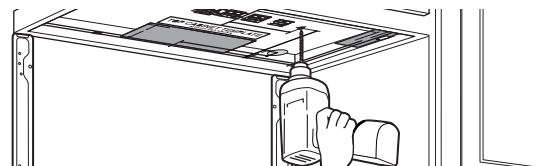
**NOTE:** Before tightening toggle bolts and wood screw, make sure the tabs on the mounting plate touch the bottom of the cabinet or the horizontal level line when pushed flush against the wall and that the plate is properly centered under the cabinet.

**CAUTION** Be careful to avoid pinching fingers between the back of the mounting plate and the wall.

- 4 Tighten all bolts. Pull the plate away from the wall to help tighten the bolts.

### A2 USE TOP CABINET TEMPLATE FOR PREPARATION OF TOP CABINET

You need to drill holes for the top support screws and a hole large enough for the power cord to fit through.



- Read the instructions on the TOP CABINET TEMPLATE.
- Tape it underneath the top cabinet.
- Drill the holes, following the instructions on the TOP CABINET TEMPLATE.

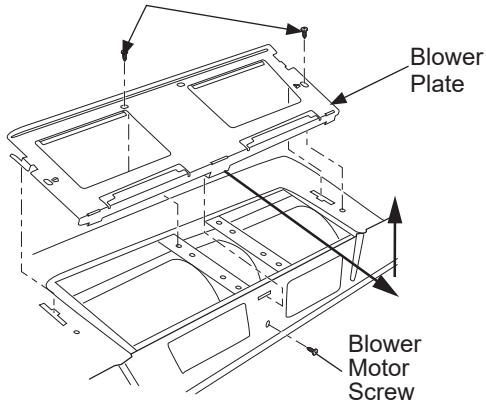
**CAUTION** Wear safety goggles when drilling holes in the cabinet bottom.

# Installation Instructions

## A3 ADJUST BLOWER MOTOR

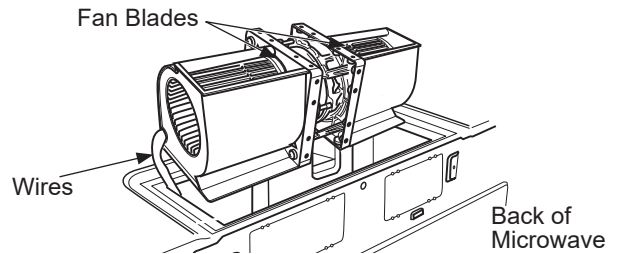
- 1 Remove the screws holding the blower unit and the screws securing the blower plate. Remove the blower plate from the outer case by sliding it toward the back of the microwave and pulling up.

Blower Motor Screws

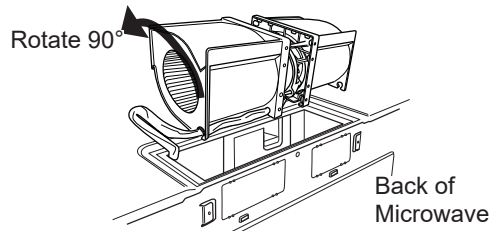


- 2 Carefully pull out the blower unit. The wires will extend far enough to allow you to adjust the blower unit.

## A3 ADJUST BLOWER MOTOR (cont.)



- 3 Roll the blower 90° so that fan blade openings are facing toward the front of the microwave.

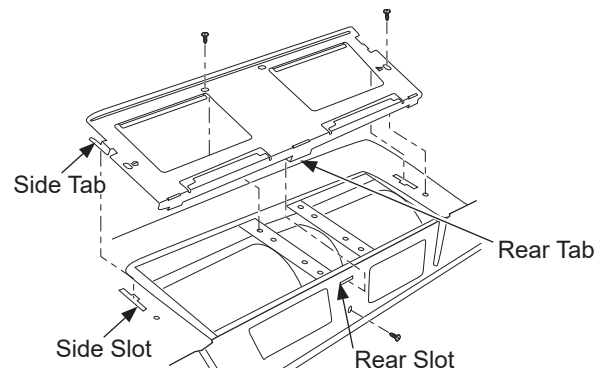


**Note:** Make sure the wires remain routed through the openings in the motor frame. To avoid damage to the fan motor wiring, insert motor carefully such that the fan motor wiring does not contact the microwave power cord bracket.

### **⚠ WARNING**

**Risk of Electric Shock. Can cause injury or death. Do not pull or stretch the blower unit wiring. Make sure the wires are not pinched.**

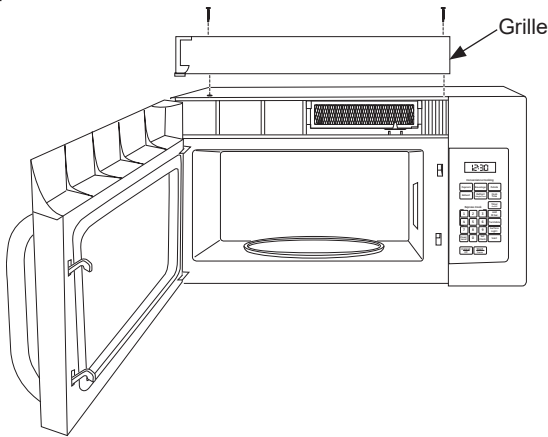
- 4 Slide the blower plate back onto the microwave by placing the side tabs into the slots and pushing gently until the back tab is seated into the rear slot. Replace 3 screws.



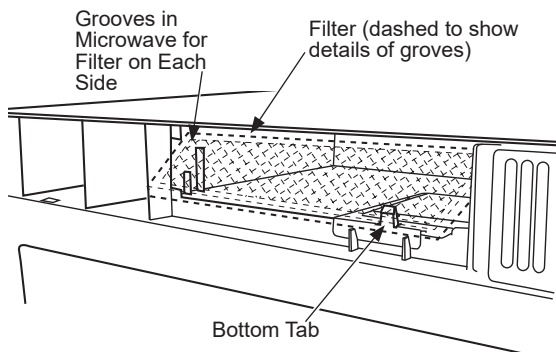
# Installation Instructions

## A4 INSTALLING THE CHARCOAL FILTER

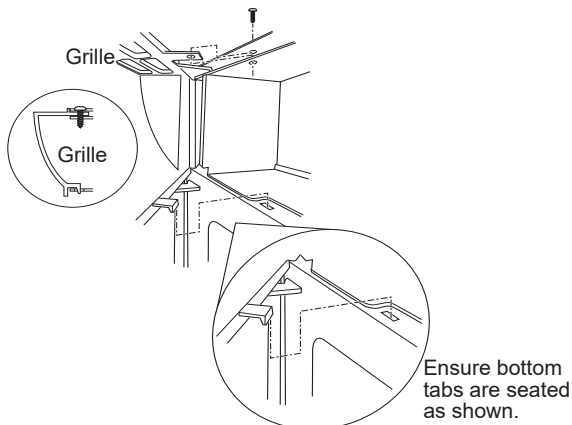
- 1 Remove 2 screws on top of microwave oven, just above the grille panel, using a Phillips screwdriver. If two screws are not accessible, see section A5.
- 2 Open the door.
- 3 Remove the grille.



- 4 Insert the top of the filter up and into the grooves on both sides of the inside of the top opening. Once you have cleared the bottom tab, push the bottom of the filter in until it rests in place behind the tab.

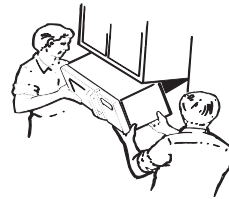


- 5 Replace the grille by inserting the top grill flange into the slots in the case as shown.



- 6 Replace the 2 top screws.
- 7 Close the door.

## A5 MOUNT THE MICROWAVE OVEN



**⚠ CAUTION** To avoid the risk of personal injury (back injury or other injuries due to excessive weight of the microwave) or property damage, you will need two people to uninstall this microwave.

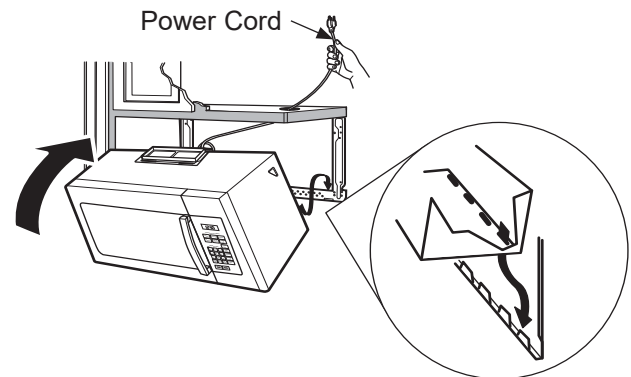
**IMPORTANT:** Do not grip or use handle during removal.

**⚠ WARNING** Risk of Electric Shock. Can cause injury or death: If removing unit with metal countertops, cover the edge of the power supply cord hole with the power supply cord (nylon grommet).

**IMPORTANT:** If filler blocks are not used, case damage may occur from overtightening screws.

**NOTE:** When mounting the microwave, thread power cord through hole in bottom of top cabinet. Keep it tight throughout Steps 1–3. Do not pinch cord or lift microwave oven by pulling cord.

- 1 Lift microwave, tilt it forward, and hook slots at back bottom edge onto four lower tabs of mounting plate.

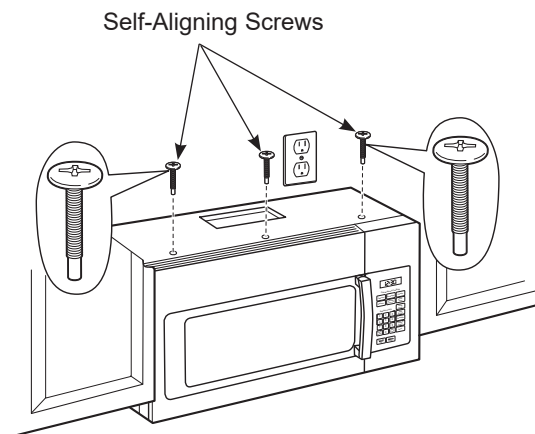
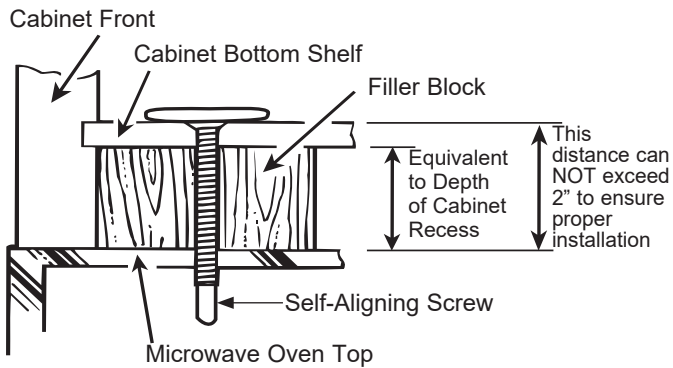


- 2 Rotate front of microwave oven up against cabinet bottom.

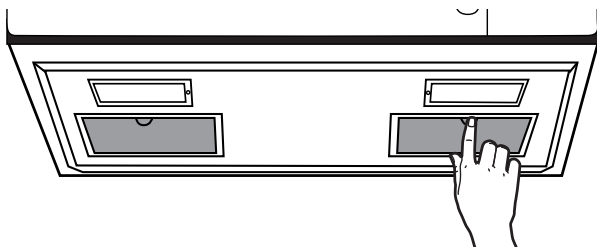
# Installation Instructions

## A5 MOUNT THE MICROWAVE OVEN (cont.)

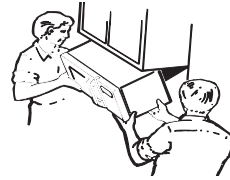
- 3** Insert 3 self-aligning screws ( $\frac{1}{4}$ "-28 x  $2\frac{1}{4}$ ") through outer top cabinet holes. Turn two full turns on each screw.



- 4** Tighten the three screws to the top of the microwave oven. (While tightening screws, hold the microwave oven in place against the wall and the top cabinet.)
- 5** Install grease filters. See the Owner's Manual packed with the microwave oven.



## A6 INSTALLING/REPLACING THE CHARCOAL FILTER WITHOUT ACCESS TO TOP SCREWS AND THE UNIT HAS ALREADY BEEN MOUNTED



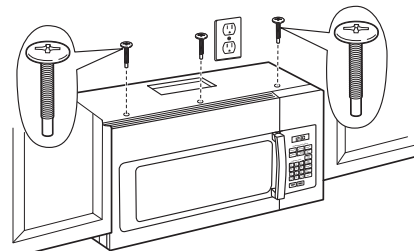
- ⚠ CAUTION** To avoid the risk of personal injury (back injury or other injuries due to excessive weight of the microwave) or property damage, you will need two people to uninstall this microwave.

**IMPORTANT:** Do not grip or use handle during removal.

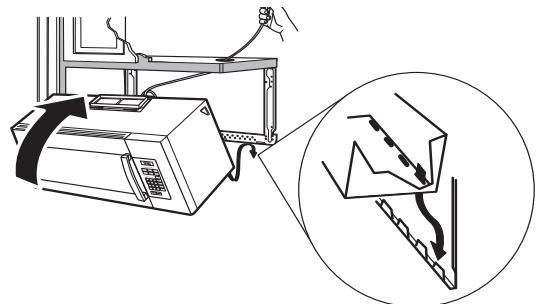
- ⚠ WARNING** Risk of Electric Shock. Can cause injury or death: If removing unit with metal countertops, cover the edge of the power supply cord hole with the power supply cord (nylon grommet).

**IMPORTANT:** If filler blocks are not used, case damage may occur from overtightening screws.

- 1** Loosen the 3 screws on the top of the microwave oven (inside the cabinet).



- 2** Lift microwave, tilt it forward and unhook slots at back bottom edge from the four lower tabs of the mounting plate.



- 3** Replace the filter using instructions from section A4.
- 4** Reinstall unit following instructions from A5.

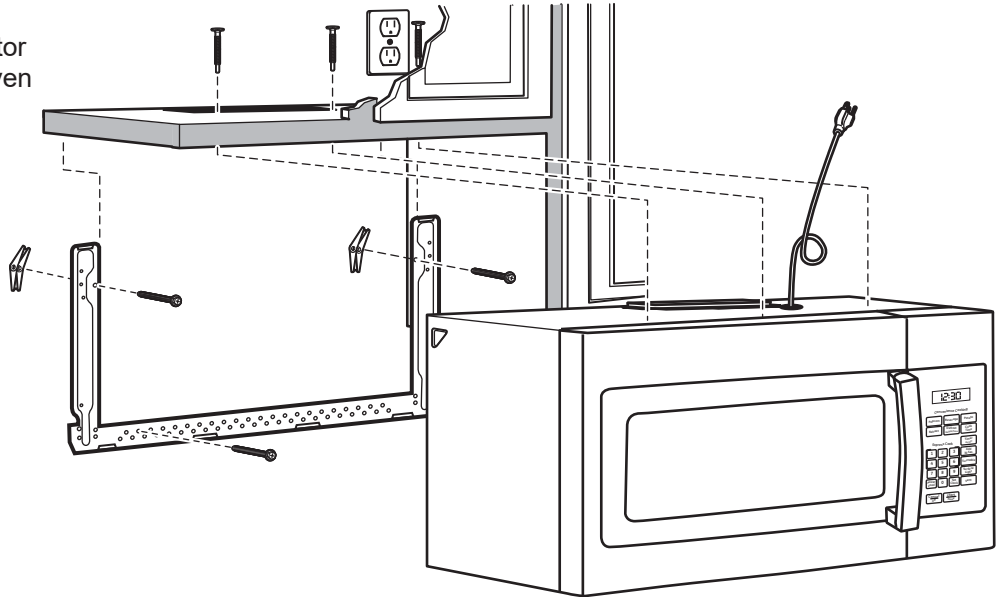


# Installation Instructions

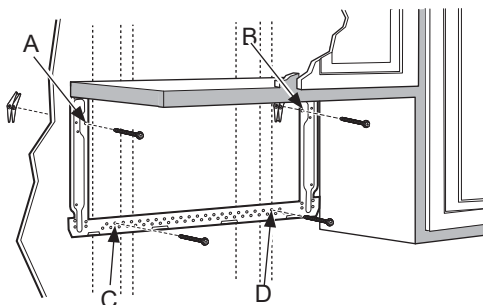
## B OUTSIDE TOP EXHAUST (Vertical Duct)

### INSTALLATION OVERVIEW

- B1. Attach Mounting Plate to Wall
- B2. Prepare Top Cabinet
- B3. Adjust Blower Motor
- B4. Install Exhaust Adaptor
- B5. Mount Microwave Oven
- B6. Connect Ductwork



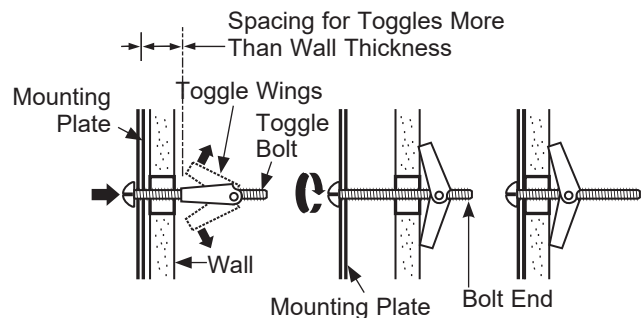
### B1 ATTACH THE MOUNTING PLATE TO THE WALL



Attach the plate to the wall using toggle bolts. At least one wood screw must be used to attach the plate to a wall stud. Recommended locations on the mounting plate are indicated by A, B, C and D.

- 1 Remove the toggle wings from the bolts.
- 2 Insert the bolts into the mounting plate through the holes designated to go into drywall and reattach the toggle wings to  $\frac{3}{4}$ " onto each bolt.

### To use toggle bolts:



- 3 Insert the toggle wings into the holes in the wall and place the mounting plate against the wall.

**NOTE:** Before tightening toggle bolts and wood screw, make sure the tabs on the mounting plate touch the bottom of the cabinet when pushed flush against the wall and that the plate is properly centered under the cabinet.

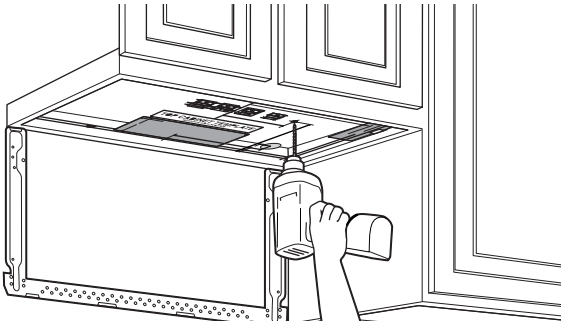
**⚠ CAUTION** Be careful to avoid pinching fingers between the back of the mounting plate and the wall.

- 4 Tighten all bolts. Pull the plate away from the wall to help tighten the bolts.

# Installation Instructions

## B2 USE TOP CABINET TEMPLATE FOR PREPARATION OF TOP CABINET

You need to drill holes for the top support screws, a hole large enough for the power cord to fit through, and a cutout large enough for the exhaust adaptor.



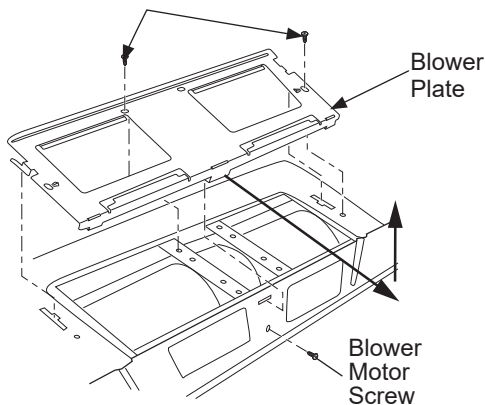
- Read the instructions on the TOP CABINET TEMPLATE.
- Tape it underneath the top cabinet.
- Drill the holes, following the instructions on the TOP CABINET TEMPLATE.

**CAUTION** Wear safety goggles when drilling holes in the cabinet bottom.

## B3 ADJUST BLOWER MOTOR

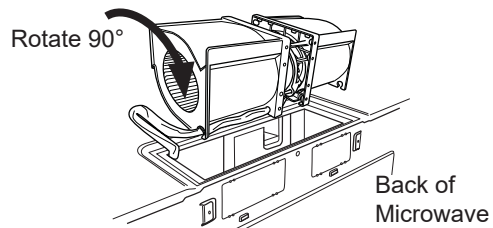
- 1 Remove the screws holding the blower unit and the screws securing the blower plate. Remove the blower plate from the outer case by sliding it toward the back of the microwave and pulling up.

Blower Motor Screws

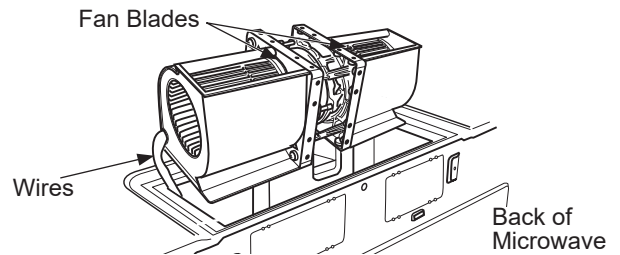


- 2 Carefully pull out the blower unit. The wires will extend far enough to allow you to adjust the blower unit.

## B3 ADJUST BLOWER MOTOR (cont.)



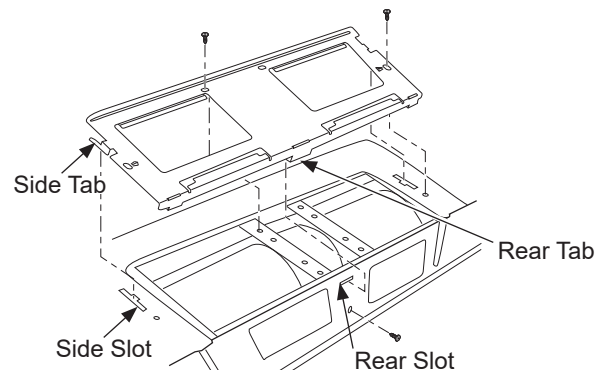
- 3 Roll the blower so that fan blade openings are facing the top of the oven. Place the blower back into the opening.



**Note:** Make sure the wires remain routed through the openings in the motor frame. To avoid damage to the fan motor wiring, insert motor carefully such that the fan motor wiring does not contact the microwave power cord bracket.

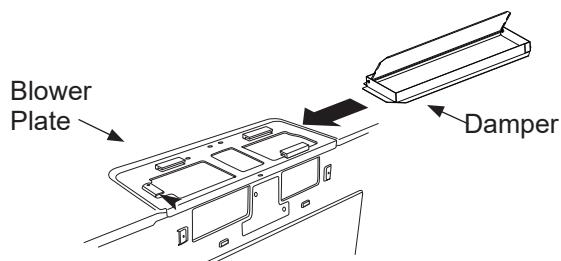
**WARNING** Risk of Electric Shock. Can cause injury or death. Do not pull or stretch the blower unit wiring. Make sure the wires are not pinched.

- 4 Slide the blower plate back onto the microwave by placing the side tabs into the slots and pushing gently until the back tab is seated into the rear slot. Replace 3 screws.



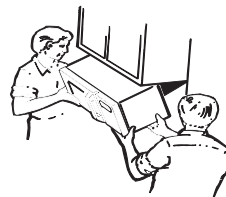
# Installation Instructions

## B4 ASSEMBLE AND INSTALL ADAPTOR



- 1 Place the microwave oven in its upright position, with the top of the unit facing up and the front of the unit facing toward you.
- 2 Remove the screw on the back side of the blower plate and raise the blower plate off of the microwave.
- 3 Slide the damper from left to right into the tabs on the blower plate. The yellow tape on the damper should be facing away from you.  
**Remove the yellow tape from the damper. Make sure that the damper pivots easily before mounting microwave oven.**
- 4 You will need to make adjustments to assure proper alignment with your house exhaust duct after the microwave oven is installed.
- 5 Position the blower plate with damper back on the microwave and secure it with the screws that were removed.

## B5 MOUNT THE MICROWAVE OVEN



**⚠ CAUTION** To avoid the risk of personal injury (back injury or other injuries due to excessive weight of the microwave) or property damage, you will need two people to install this microwave.

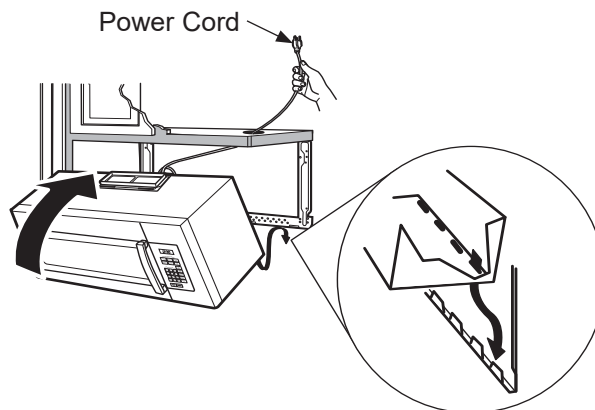
**IMPORTANT:** Do not grip or use handle during installation.

**⚠ WARNING** Risk of Electric Shock. Can cause injury or death: If installing unit with metal countertops, cover the edge of the power supply cord hole with the power supply cord bushing.

**IMPORTANT:** If filler blocks are not used, case damage may occur from overtightening screws.

**NOTE:** When mounting the microwave, thread power cord through hole in bottom of top cabinet. Keep it tight throughout Steps 1–3. Do not pinch cord or lift microwave oven by pulling cord.

- 1 Lift microwave, tilt it forward, and hook slots at back bottom edge onto four lower tabs of mounting plate.

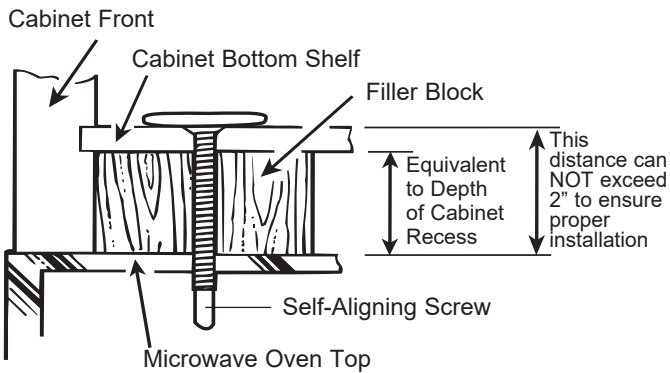
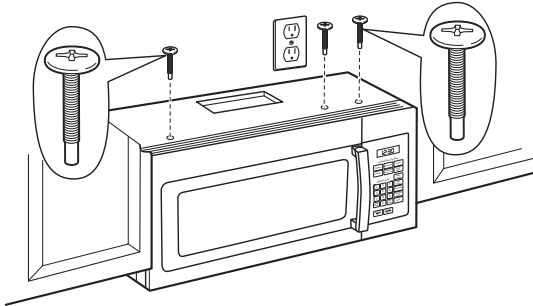


- 2 Rotate front of microwave oven up against cabinet bottom.

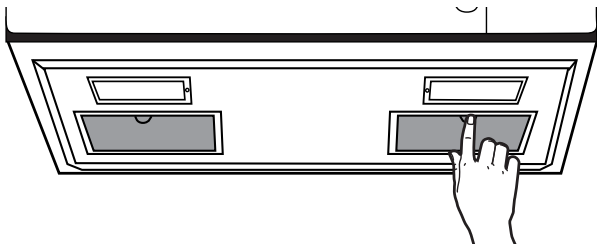
# Installation Instructions

## B5 MOUNT THE MICROWAVE OVEN (cont.)

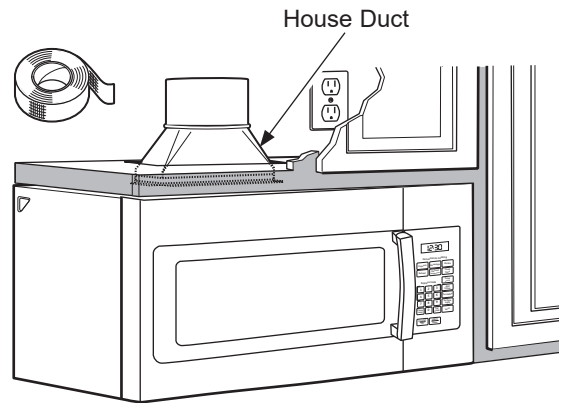
- 3 Insert a self-aligning screw through top-center cabinet hole. Temporarily secure the microwave oven by turning the screw at least **two full turns** after the threads have engaged. (It will be completely tightened later.) Insert 2 self-aligning screws ( $\frac{1}{4}$ "-28 x 2  $\frac{1}{4}$ "") through outer top cabinet holes. Turn two full turns on each screw.



- 4 Tighten the three screws to the top of the microwave oven. (While tightening screws, hold the microwave oven in place against the wall and the top cabinet.)
- 5 Install grease filters. See the Owner's Manual packed with the microwave oven.



## B6 CONNECTING DUCTWORK



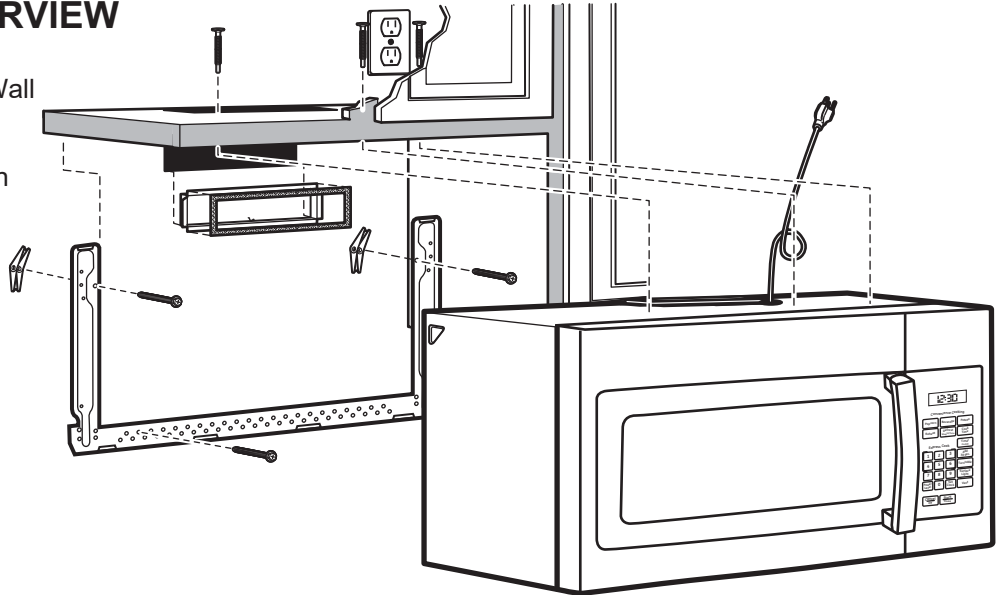
- 1 Extend the house duct down to connect to the exhaust adaptor.
- 2 Seal exhaust duct joints using duct tape.

# Installation Instructions

## C OUTSIDE BACK EXHAUST (Horizontal Duct)

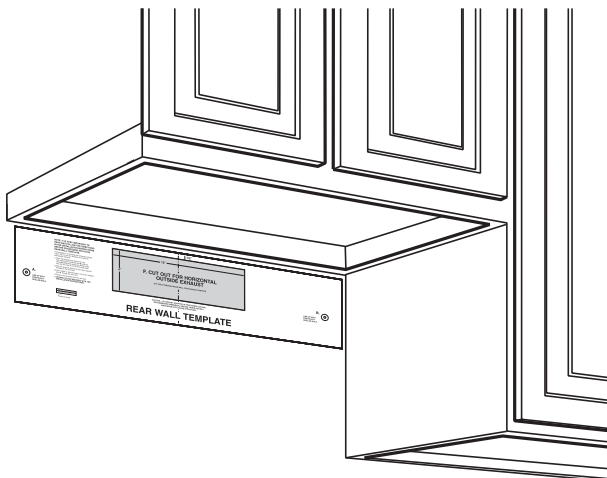
### INSTALLATION OVERVIEW

- C1. Prepare Rear Wall
- C2. Attach Mounting Plate to Wall
- C3. Prepare Top Cabinet
- C4. Adjust Blower
- C5. Mount the Microwave Oven



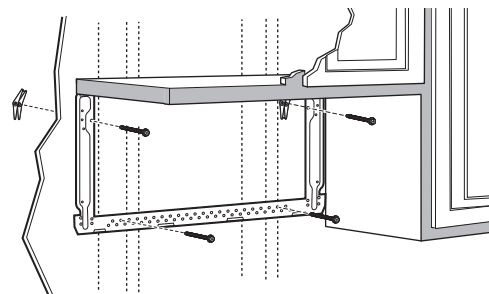
### C1 PREPARING THE REAR WALL FOR OUTSIDE BACK EXHAUST

You need to cut an opening in the rear wall for outside exhaust.



- Read the instructions on the REAR WALL TEMPLATE.
- Tape it to the rear wall, lining up with the holes previously drilled for holes A and B in the mounting plate.
- Cut the opening, following the instructions of the REAR WALL TEMPLATE.

### C2 ATTACH THE MOUNTING PLATE TO THE WALL



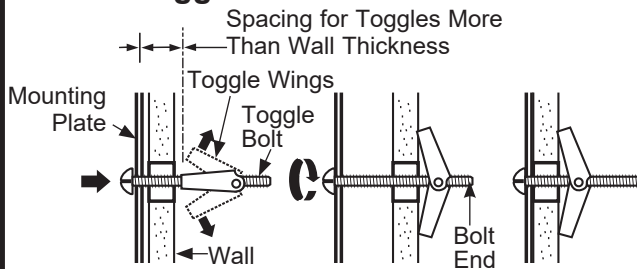
Attach the plate to the wall using toggle bolts. At least one wood screw must be used to attach the plate to a wall stud.

- 1 Remove the toggle wings from the bolts.
- 2 Insert the bolts into the mounting plate through the holes designated to go into drywall and reattach the toggle wings to  $\frac{3}{4}$ " onto each bolt.

# Installation Instructions

## C2 ATTACH THE MOUNTING PLATE TO THE WALL (cont.)

### To use toggle bolts:



- Place the mounting plate against the wall and insert the toggle wings into the holes in the wall to mount the plate.

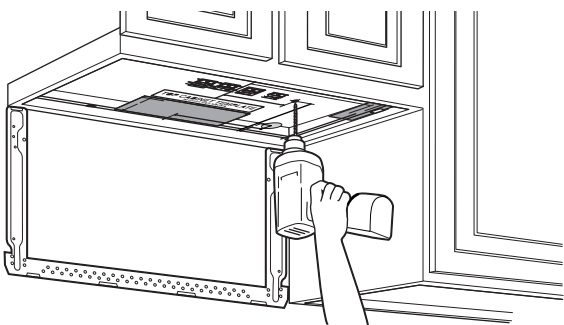
**NOTE:** Before tightening toggle bolts and wood screw, make sure the tabs on the mounting plate touch the bottom of the cabinet when pushed flush against the wall and that the plate is properly centered under the cabinet.

**CAUTION** Be careful to avoid pinching fingers between the back of the mounting plate and the wall.

- Tighten all bolts. Pull the plate away from the wall to help tighten the bolts.

## C3 USE TOP CABINET TEMPLATE FOR PREPARATION OF TOP CABINET

You need to drill holes for the top support screws and a hole large enough for the power cord to fit through.

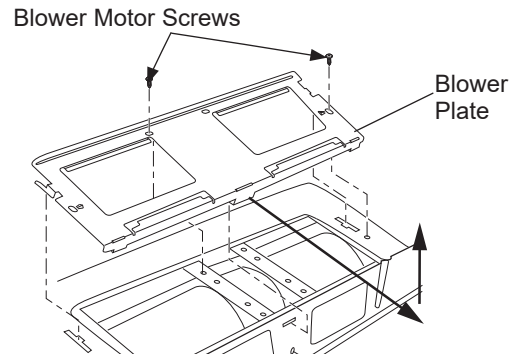


- Read the instructions on the TOP CABINET TEMPLATE.
- Tape it underneath the top cabinet.
- Drill the holes, following the instructions on the TOP CABINET TEMPLATE.

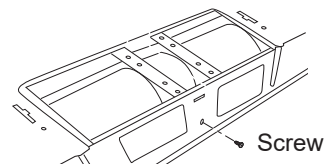
**CAUTION** Wear safety goggles when drilling holes in the cabinet bottom.

## C4 ADAPTING BLOWER FOR OUTSIDE BACK EXHAUST

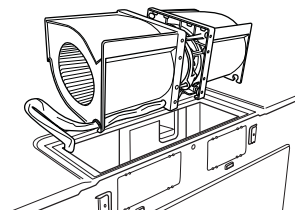
- Remove the blower motor screws that holds the blower plate to the microwave oven. Slide the plate toward the back of the microwave and lift up to remove.



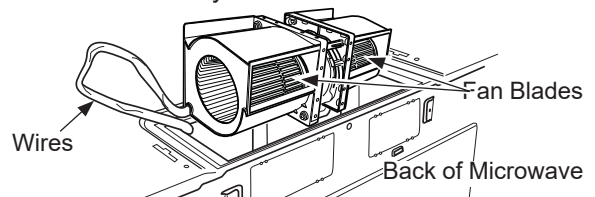
- Remove screw on the back of the unit.



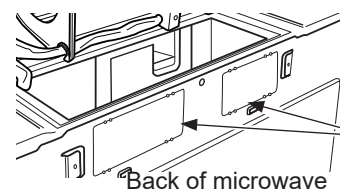
- Carefully remove fan from cavity. Remove the wire from the notch at the bottom of the fan after it is removed from the cavity.



- The fan needs to be turned 180 degrees to the right to be in the correct orientation, keeping the blower part of the fan where the air comes out at the top of the fan. The wire needs to be reinserted into the cage housing once it has been oriented correctly.



- Remove the knockout plates in the back of the unit with snips.

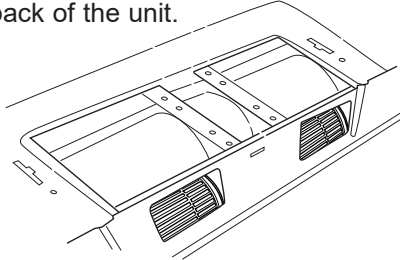


**Knockout Plates:** Snip all 4 webs on each knockout panel and remove the metal knockouts for rear airflow. Please take care to remove any sharp edges created from removing the knockout plates.

# Installation Instructions

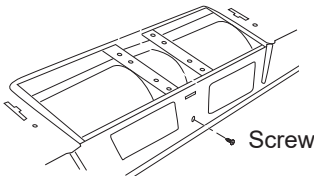
## C4 ADAPTING BLOWER FOR OUTSIDE BACK EXHAUST (cont.)

- 6 Gently place the fan back into the cavity with the exhaust portion of the fan at the top and facing the back of the unit.

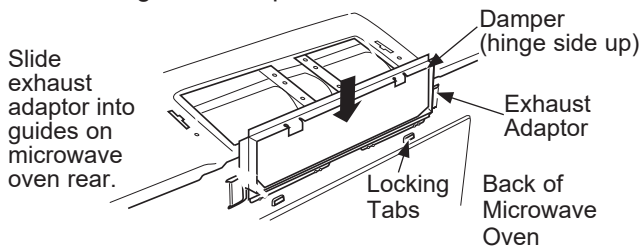


**Note:** Make sure the wires remain routed through the openings in the motor frame. To avoid damage to the fan motor wiring, insert motor carefully such that the fan motor wiring does not contact the microwave power cord bracket.

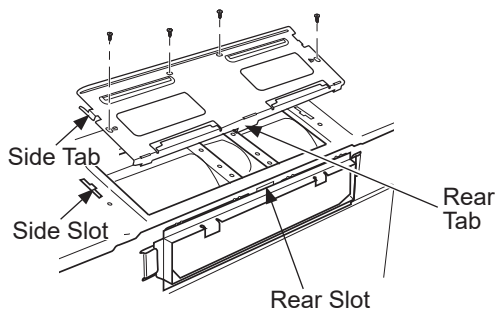
- 7 Replace screw on the back of the unit.



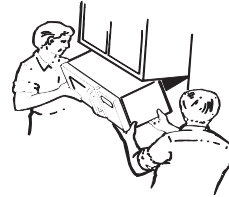
- 8 Slide the vent damper on back of the unit with the hinge at the top.



- 9 Replace the vent cover on the unit and secure it to the unit by replacing the two screws that were removed, with one in the middle hole and one on either side.



## C5 MOUNT THE MICROWAVE OVEN



**CAUTION** To avoid the risk of personal injury (back injury or other injuries due to excessive weight of the microwave) or property damage, you will need two people to install this microwave.

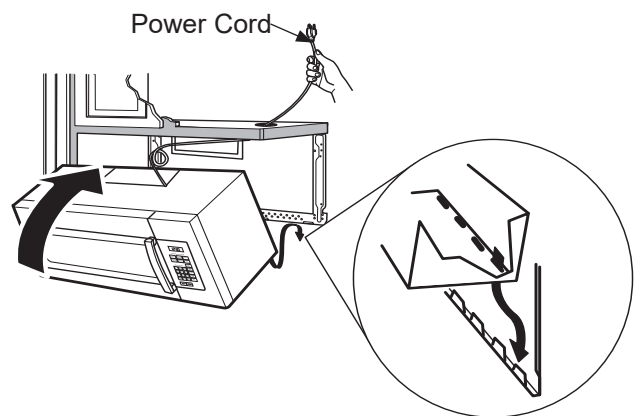
**IMPORTANT:** Do not grip or use handle during installation.

**WARNING** Risk of Electric Shock. Can cause injury or death: If installing unit with metal countertops, cover the edge of the power supply cord hole with the power supply cord bushing.

**IMPORTANT:** If filler blocks are not used, case damage may occur from overtightening screws.

**NOTE:** When mounting the microwave, thread power cord through hole in bottom of top cabinet. Keep it tight throughout Steps 1–3. Do not pinch cord or lift microwave oven by pulling cord.

- 1 Lift microwave, tilt it forward, and hook slots at back bottom edge onto four lower tabs of mounting plate.

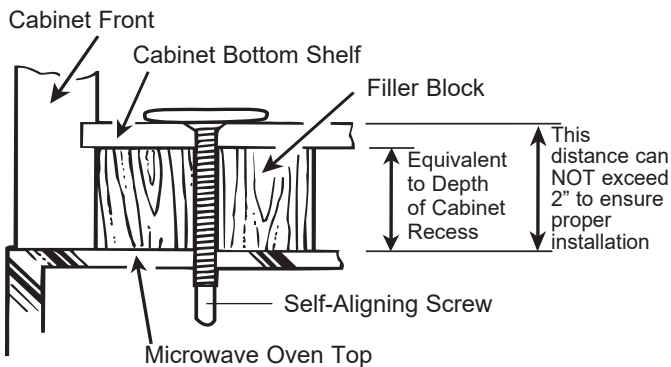
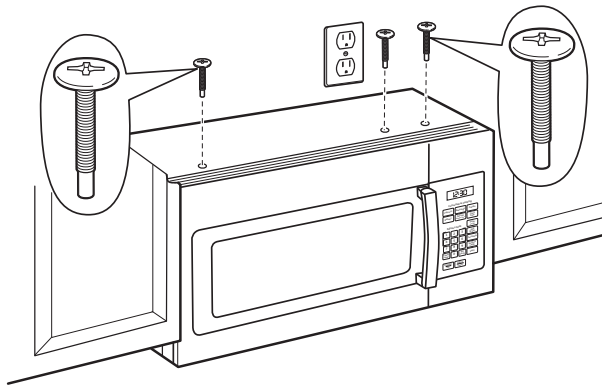


- 2 Rotate front of microwave oven up against cabinet bottom.

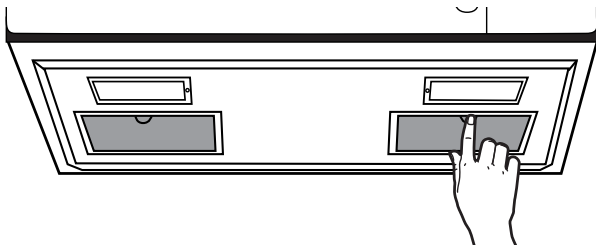
# Installation Instructions

## C5 MOUNT THE MICROWAVE OVEN (cont.)

- 3 Insert a self-aligning screw through top-center cabinet hole. Temporarily secure the microwave oven by turning the screw at least **two full turns** after the threads have engaged. (It will be completely tightened later.) Insert 2 self-aligning screws ( $\frac{1}{4}$ "-28 x 2  $\frac{1}{4}$ "") through outer top cabinet holes. Turn two full turns on each screw.



- 4 Tighten the three screws to the top of the microwave oven. (While tightening screws, hold the microwave oven in place against the wall and the top cabinet.)
- 5 Install grease filters. See the Owner's Manual packed with the microwave oven.

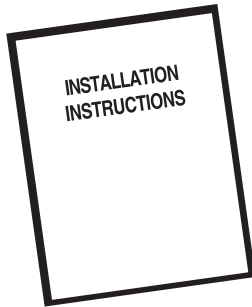




# Installation Instructions

## BEFORE YOU USE YOUR MICROWAVE OVEN

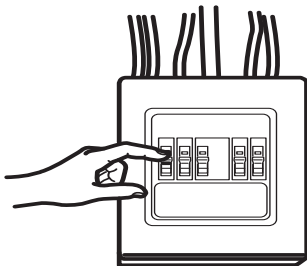
- 1** Make sure the microwave oven has been installed according to instructions.



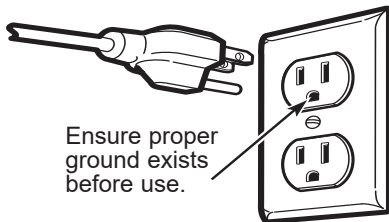
- 2** Remove all packing material from the microwave oven.

- 3** Install turntable and turntable ring in cavity.

- 4** Replace house fuse or turn breaker back on.

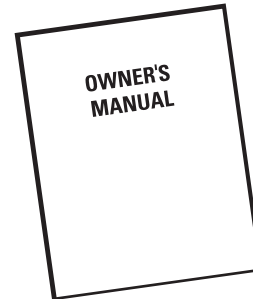


- 5** **120 V Models:** Plug power cord into a dedicated 15- to 20-amp electrical outlet.

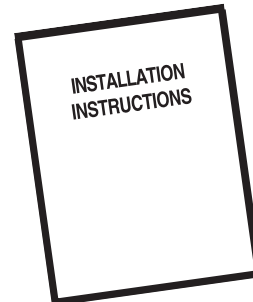


Where a standard two-prong wall receptacle is encountered, it is very important to have it replaced with a properly grounded three-prong wall receptacle, installed by a qualified electrician.

- 6** Read the Owner's Manual.



- 7** KEEP INSTALLATION INSTRUCTIONS FOR THE LOCAL INSPECTOR'S USE.



# Installation Instructions

---

# Instrucciones de Instalación

Horno microondas para  
colocar encima de la estufa

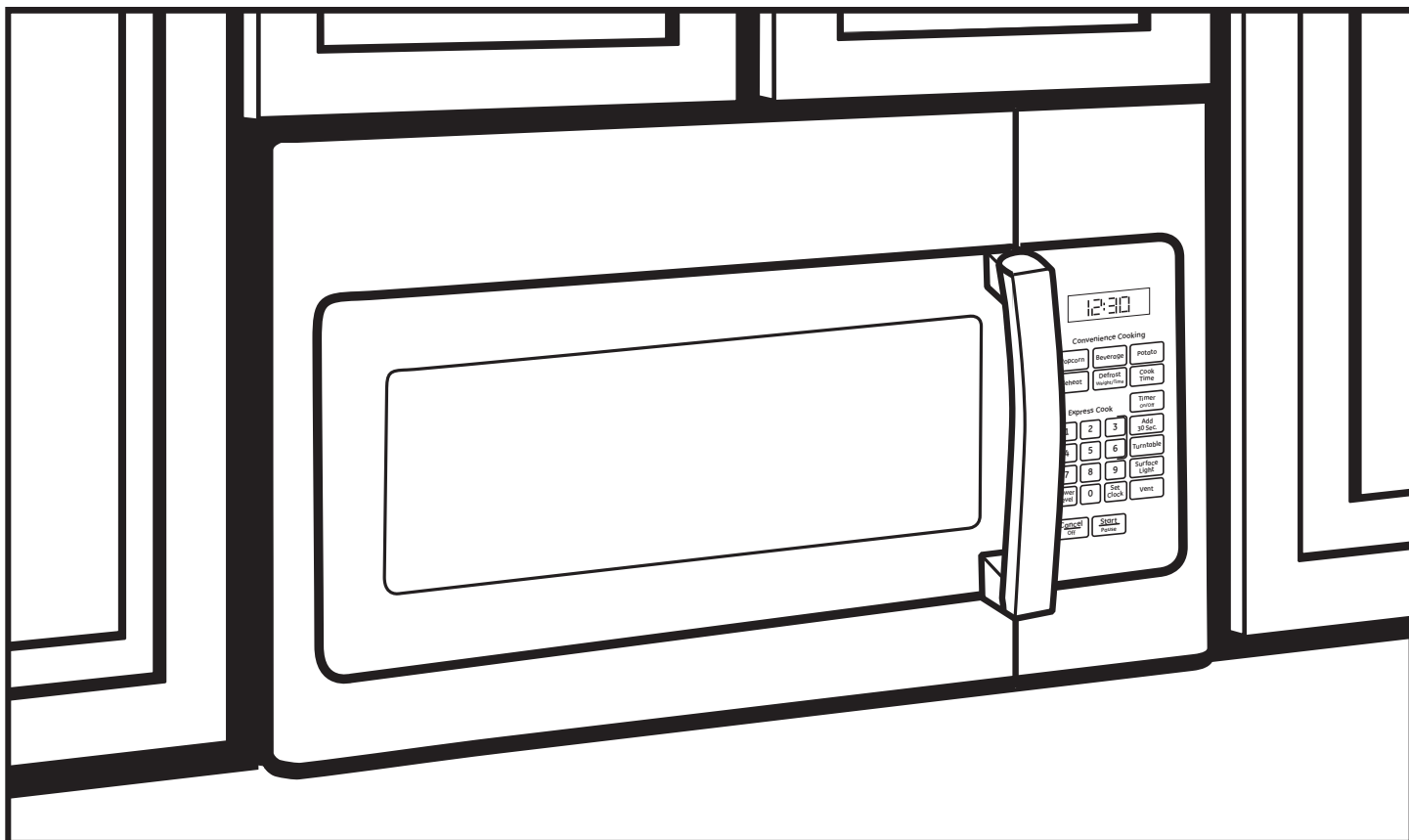
AVM4160, JNM3161, JVM3160  
y RVM5160

¿Preguntas? Llame a 800.GE.CARES (800.432.2737) o visite nuestro sitio web en: [GEAppliances.com](http://GEAppliances.com)

## ANTES DE COMENZAR

Lea estas instrucciones en su totalidad y atentamente.

- **IMPORTANTE** — Conserve estas instrucciones para uso del inspector local.
- **IMPORTANTE** — Cumpla con todos los códigos y ordenanzas gubernamentales.
- **Nota para el Instalador** — Asegúrese de entregar estas instrucciones al Consumidor.
- **Nota para el Comprador** — Conserve estas instrucciones para referencia futura.
- **Nivel de habilidad** — La instalación de este electrodoméstico requiere un nivel básico de habilidades mecánicas y eléctricas.
- La correcta instalación del producto es responsabilidad del instalador.
- Si se producen fallas en el producto debido a una instalación inadecuada, la Garantía no cubrirá las mismas



Su modelo puede tener otras características y apariencia que las ilustradas en este manual.

**LEER DETENIDAMENTE. CONSERVE ESTAS INSTRUCCIONES.**

49-40675-4 08-18 GEA

# Instrucciones de Instalación

## CONTENIDOS

### Información General

Instrucciones Importantes de Seguridad.....	3
Requisitos Eléctricos .....	3
Herramientas Que Necesitará .....	4
Campana de Escape .....	5,6
Daño – Envío/ Instalación .....	7
Partes Incluidas .....	7
Espacio de Montaje.....	8

### Guía de instalación paso a paso

#### Colocación de la Placa de Montaje .....9-10

Retiro de la Placa de Montaje.....	9
Búsqueda de los Montajes de Pared.....	9
Determinación de la Placa de Montaje .....	10
Alineación de la Placa de Montaje.....	11

#### Tipos de Instalación..... 12-23

##### **A** Recirculación ..... 13-16

Adjunte la Placa de Montaje a la Pared	13
Preparación del Gabinete Superior ...	13
Ajuste el Calentador .....	14
Cómo Instalar el Filtro de Carbón .....	15
Monte el Horno Microondas .....	15, 16

##### **B** Instalación del Filtro de Carbón Sin Acceso a los Tornillos Superiores... 16

Escape de Salida Superior.....	17-20
Adjunte la Placa de Montaje a la Pared	17
Preparación del Gabinete Superior ....	18
Ajuste el Motor del Calentador .....	18
Ensamble e Instale el Adaptador .....	19
Monte el Horno Microondas .....	19, 20
Conexión de la Tubería .....	20

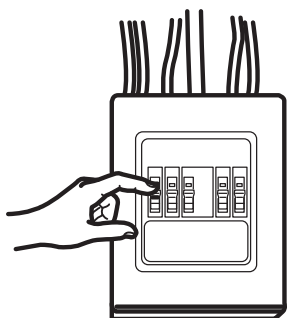
##### **C** Escape de Salida Trasero..... 21-24

Visión General de la Instalación.....	21
Preparación de la Pared Trasera para el Escape de Salida Trasero .....	21
Adjunte la Placa de Montaje a la Pared	21, 22
Preparación del Gabinete Superior ....	22
Adaptación del Calentador al Escape de Salida Trasero.....	22, 23
Monte el Horno Microondas .....	23, 24
<b>Antes de Usar su Horno Microondas .....</b>	<b>25</b>

# Instrucciones de Instalación

## INSTRUCCIONES IMPORTANTES DE SEGURIDAD

Un electricista calificado deberá realizar un control de la continuidad de la conexión a tierra en el receptáculo de la pared antes de comenzar con la instalación, a fin de asegurar que la caja del tomacorriente esté correctamente conectada a tierra. Si no se encuentra conectado a tierra de forma correcta, o si el receptáculo de pared no cumple con los requisitos establecidos (bajo REQUISITOS ELÉCTRICOS), se deberá solicitar los servicios de un electricista calificado para corregir cualquier deficiencia



### ⚠ ADVERTENCIA

**Riesgo de Descarga Eléctrica.** Puede ocasionar lesiones o la muerte: Retire el fusible del hogar o disyuntor abierto antes de comenzar la instalación, a fin de evitar lesiones severas o totales por descarga.

### ⚠ ADVERTENCIA

**Riesgo de Descarga Eléctrica.** Puede ocasionar lesiones o la muerte: **ESTE ELECTRODOMÉSTICO SE DEBE CONECTAR A TIERRA DE FORMA CORRECTA** a fin de evitar descargas severas o mortales.

### Modelos de 120 V

El cable de corriente de este electrodoméstico contiene un enchufe de 3 patas (conexión a tierra) que se conecta a un tomacorriente de pared estándar de 3 cables (conexión a tierra) para minimizar la posibilidad de riesgos de descargas eléctricas por parte del mismo.

Asegúrese de contar con una conexión a tierra adecuada antes de usar.

Quando se encuentre un tomacorriente de pared de dos enchufes, se deberá reemplazar por uno conectado a tierra de forma adecuada de tres cables, y deberá ser instalado por un electricista calificado.

### ⚠ ADVERTENCIA

**Riesgo de Descarga Eléctrica.** Puede ocasionar lesiones o la muerte: **NUNCA**, bajo ninguna circunstancia, corte, deforme o elimine ninguna de las puntas del cable de corriente. No use un prolongador. Si no se cumple con esto, se podrán producir incendios.

### ⚠ PRECAUCIÓN

Por razones de seguridad, la superficie de montaje deberá poder soportar la carga del gabinete, además del peso agregado de este producto de entre 63 y 85 libras, además de cargas adicionales en el horno microondas de hasta 50 libras o un peso total de entre 113 y 135 libras.

### ⚠ PRECAUCIÓN

Por razones de seguridad, este producto no se puede instalar en arreglos de alacena tales como una isla o península. Se debe montar **TANTO** a un gabinete superior **COMO** a una pared trasera.

### ⚠ PRECAUCIÓN

A fin de evitar el riesgo de lesión personal (lesión en la espalda u otras lesiones debido a un peso excesivo del horno microondas) o daños sobre la propiedad, deberá contar con la ayuda de dos personas para instalar este horno microondas.

## REQUISITOS ELÉCTRICOS

### Modelos de 120 V

Este producto requiere un tomacorriente con conexión a tierra de tres enchufes. La graduación del producto es de 120 volts AC, 60 Hertz, 15 amps, y 1.70 kilowatts. Este producto se debe conectar a un circuito con un suministro del voltaje y frecuencia correcta. El tamaño del cable deberá ser conforme a los requisitos del Código Eléctrico Nacional o del código local obligatorio con relación a la cantidad de kilowatts. El cable y enchufe del suministro de corriente se deberán conectar a un tomacorriente simple con conexión a tierra de un circuito de entre 15 y 20 amperes. La caja del tomacorriente deberá estar ubicada en el gabinete sobre el horno y alejada de cualquier conducto posible del horno microondas. La caja del tomacorriente y el circuito de suministro deberán ser instalados por un electricista calificado y cumplir con el Código Eléctrico Nacional o el código local obligatorio.

# Instrucciones de Instalación

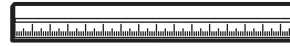
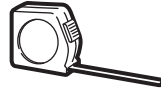
## HERRAMIENTAS NECESARIAS



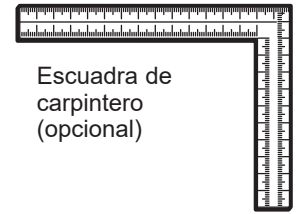
Destornillador  
Phillips n°1 y n°2



Lápiz



Regla o cinta métrica y extremo  
recto



Escuadra de  
carpintero  
(opcional)



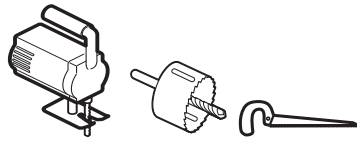
Tijeras para hojalata  
(para cortes en  
reguladores, si se  
requiere)



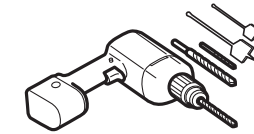
Tijeras (para cortar  
plantillas, si es necesario)



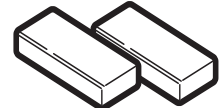
Guantes



Sierra (sable, agujero o cerradura)



Taladro eléctrico con brocas  
de 3/15", 7/16", 1/2", y 5/8"



Bloques de llenado o piezas de  
fragmentos de madera, si son  
necesarios para para generar  
espacio en el gabinete superior  
(usados en instalaciones de  
gabinetes inferiores ahuecados  
únicamente)



Gafas de seguridad



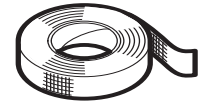
Nivel



Detector de  
montantes



Martillo (opcional)



Cinta para conductos y  
de mascarar

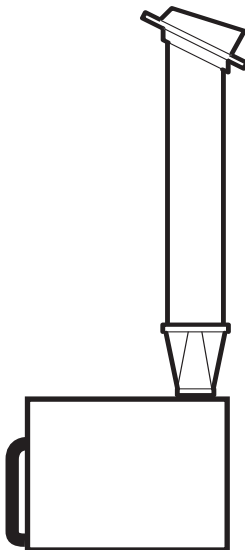
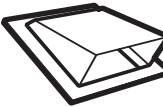


# Instrucciones de Instalación

## CAMPANA DE ESCAPE

NOTA: Lea las dos siguientes páginas sólo si planea ventilar su escape desde la parte exterior. Si planea hacer que el aire vuelva a circular en la habitación, pase a la página 6. A continuación figuran ejemplos de diagramas del sistema del conducto del Escape de Salida Superior y del Escape de Salida Trasero. Observe la posición del horno microondas relativa al sistema de tuberías.

### ESCAPE DE SALIDA SUPERIOR (SÓLO EJEMPLO)

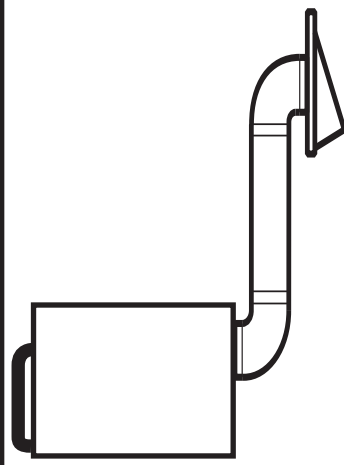
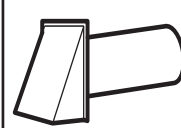


En el siguiente cuadro se describe un ejemplo de una posible instalación de conductos.

	PIEZAS DEL CONDUCTO		LONGITUD EQUIVALENTE x	NÚMERO USADO	=	EQUIVALENT =EQUIVALENTE	
		Tapa del Techo	24 pies	x	(1)	=	24 pies
		Conducto Recto de 12 pies (Círculo de 6")	12 pies	x	(1)	=	12 pies
		Adaptador de Transición Rectangular a Circular*	5 pies	x	(1)	=	5 pies
Las longitudes equivalentes a las piezas de conductos están basadas en evaluaciones reales y requisitos de reflejo para un buen rendimiento de la ventilación con cualquier campana de ventilación. <b>Longitud Total =</b>						<b>41 pies</b>	

\***IMPORTANTE:** Si se utiliza un adaptador de transición rectangular a circular, las esquinas inferiores del regulador se deberán cortar para que coincidan, usando las tijeras para hojalata, a fin de permitir un movimiento libre del regulador.

### ESCAPE DE SALIDA TRASERO (SÓLO EJEMPLO)

En el siguiente cuadro se describe un ejemplo de una posible instalación de conductos.

	PIEZAS DEL CONDUCTO		LONGITUD EQUIVALENTE *	NÚMERO xUSADO =	LONGITUD EQUIVALENTE		
		Tapas de Pared	40 pies	x	(1)	=	40 pies
		Conducto Recto de 30 Pies (Rectangular de 3 1/4" x 10")	3 pies	x	(1)	=	3 pies
		Codo de 90°	10 pies	x	(2)	=	20 pies
Longitudes equivalentes a las piezas de conductos en base a evaluaciones reales y requisitos de reflejo para un buen rendimiento de la ventilación con cualquier campana de ventilación. <b>Longitud Total =</b>						<b>63 pies</b>	

**NOTA:** Para el escape trasero, será necesario alinear con cuidado el escape con el espacio entre los montajes, o la pared deberá ser preparada en el momento de su construcción, dejando espacio suficiente entre los montajes de pared para ubicar el escape.

# Instrucciones de Instalación

**NOTA:** Si necesita instalar tuberías, deberá observar que la longitud total de una tubería rectangular de 3 1/4" x 10" o una circular de 6" de diámetro **no deberá superar los 140 pies de equivalencia.**

La ventilación externa requiere un CONDUCTO DE SALIDA DE LA CAMPANA. Lea la siguiente información detenidamente.

**NOTA:** Es importante que la ventilación sea instalada utilizando la ruta más directa y con la menor cantidad de codos posible. Esto asegura una ventilación despejada del escape y ayuda a evitar bloqueos. **Además, asegúrese de que los reguladores se balanceen libremente y que nada bloquee las tuberías.**

## Conexión del escape:





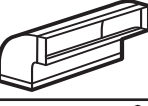
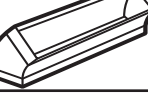


El escape de la campana fue diseñado para coincidir con una tubería rectangular de 3 1/4" x 10".

Si se requiere una tubería redonda, se deberá usar un adaptador de transición de rectangular a circular. **No use una tubería de menos de 6" de diámetro.**

## Longitud máxima de la tubería:

Para un movimiento satisfactorio del aire, la longitud total de la tubería rectangular de 3 1/4" x 10" o circular 6" de diámetro **no deberá superar los 140 pies de equivalencia.**

**Los codos, transiciones, pared y tapas para techo, etc.,** presentan resistencia adicional sobre el flujo de aire y son equivalentes a una sección de una tubería recta que es más larga que su tamaño físico real. Al calcular la longitud total de la tubería, agregue las longitudes equivalentes a todas las transiciones y adaptadores, además de la longitud de todas las secciones rectas del conducto. El siguiente cuadro le muestra cómo calcular la longitud total equivalente de la tubería, usando los pies aproximados de la longitud equivalente de algunas piezas de tubería típicas.

PIEZAS DE TUBERÍA		LONGITUD EQUIVALENTE	x	NÚMERO USADO	=	LONGITUD EQUIVALENTE
	Adaptador de Transición Rectangular a Circular*	5 pies	x	( )	=	Pies
	Tapas de Pared	40 pies	x	( )	=	Pies
	Codo de 90°	10pies	x	( )	=	Pies
	Codo de 45°	5 pies	x	( )	=	Pies
	Codo de 90°	25 pies	x	( )	=	Pies
	Codo de 45°	5 pies	x	( )	=	Pies
	Tapa del Techo	24 pies	x	( )	=	Pies
	Tubería Recta de 6" Circular o 3 1/4" x 10" Rectangular	1 pies	x	( )	=	Pies
<b>Tubería Total =</b>						<b>Pies</b>



**\*IMPORTANTE:** Si se utiliza un adaptador de transición rectangular a circular, las esquinas inferiores del regulador se deberán cortar para que coincidan, usando las tijeras para hojalata, a fin de permitir un movimiento libre del regulador.

Las longitudes equivalentes a las piezas de conductos están basadas en evaluaciones reales y requisitos de reflejo para un buen rendimiento de la ventilación con cualquier campana de ventilación.



# Instrucciones de Instalación

## DAÑO – ENVÍO/ INSTALACIÓN

- Si la unidad se daña durante el envío, devuelva la unidad a la tienda donde fue comprada para su reparación o reemplazo.
- Si la unidad es dañada por el cliente, la reparación o reemplazo es responsabilidad del cliente.
- Si la unidad es dañada por el instalador (si no es el cliente), la reparación o reemplazo deberá ser realizado por arreglo entre el cliente y el instalador.

## PARTES INCLUIDAS

### PAQUETE DE PIEZAS

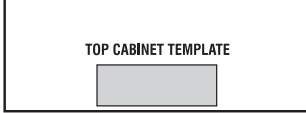
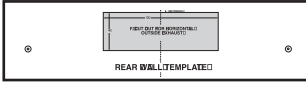
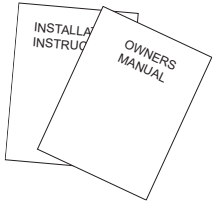
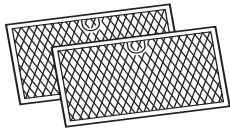
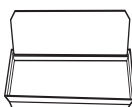
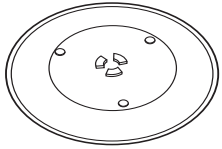
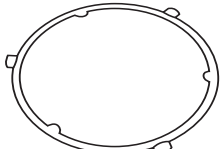
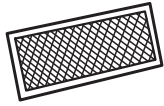
PARTE		CANTIDAD
	Tornillos de Madera (3/16" x 2")	2
	Tornillos con resorte y tuercas mariposa (1/4" x 3")	4
	Tornillo de Máquina con Auto Alineación (1/4"-28 x 3-1/4")	3
	Arandela Aislante de Nylon (para gabinetes metálicos)	2
	Cordón para cable de corriente (plástico)	1

Encontrará las piezas de instalación dentro de un paquete con la unidad. Asegúrese de que se encuentren todas las piezas.

**NOTA:** Se incluyen algunas piezas adicionales.

## PARTES INCLUIDAS

### PIEZAS ADICIONALES

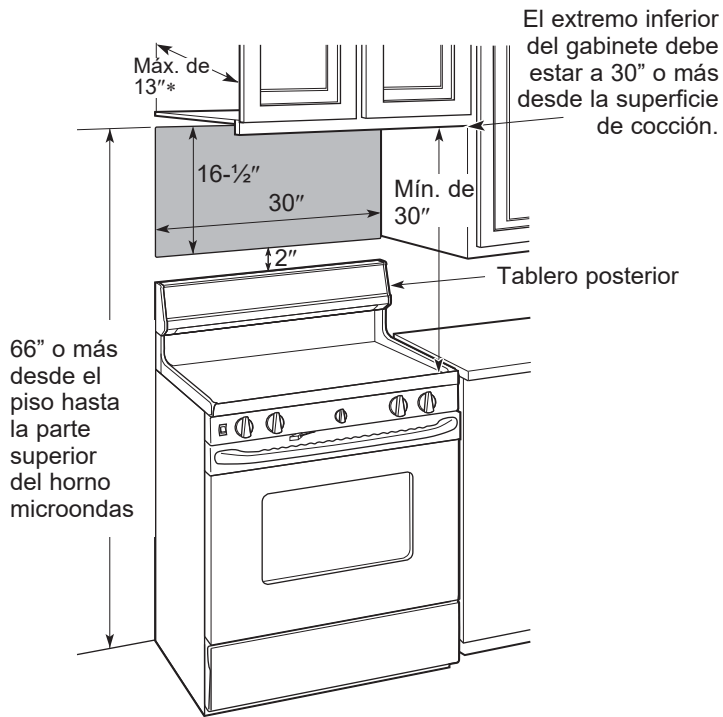
PARTE		CANTIDAD
	Plantilla del Gabinete Superior	1
	Plantilla de la Pared Trasera	1
	Instrucciones de Instalación del Manual del Propietario	1 1
	Filtros de Grasa	2
	Adaptador del Escape	1
	Bandeja	1
	Anillo del Plato Giratorio	1
	Filtro de Carbón (en algunos modelos)	1*

**\* NOTA:**

- Para JVM3160 y AVM4160, el filtro está en el paquete de accesorios. No se encuentra instalado en el producto.
- Para JNM3161, el filtro ya se encuentra instalado en el producto.
- Para RVM5160, el filtro no está incluido.

# Instrucciones de Instalación

## ESPACIO DE MONTAJE



### NOTAS:

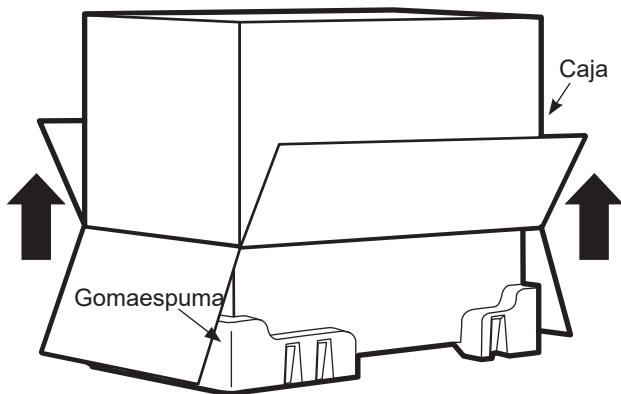
- El espacio entre los gabinetes debe ser de 30" de ancho y estar libre de obstrucciones.
  - Este horno microondas debe ser instalado sobre estufas de hasta 36" de ancho.
  - Si hará que la ventilación de su horno microondas salga hacia el exterior, consulte la Sección Escape de la Campana para la preparación de la tubería de escape.
  - Al instalar el horno microondas debajo de gabinetes lisos y finos, asegúrese de seguir las instrucciones que figuran en la plantilla del gabinete superior para que haya un despeje del cable de corriente..
  - Para la configuración de modelos con Escape con Recirculación: No permita que el gabinete u otros objetos bloqueen el flujo de aire de la ventilación.
  - El producto no debería ser instalado sobre una placa de cocción o estufa con un BTU combinado superior a 60,000 BTU.
- \* Max de 13": para una instalación estándar, una profundidad del gabinete de 15" requiere pasos adicionales utilizando el kit de instalación adicional JX15BUMPWW/BB.

# Instrucciones de Instalación

## 1 COLOCACIÓN DEL PLATO DE MONTAJE

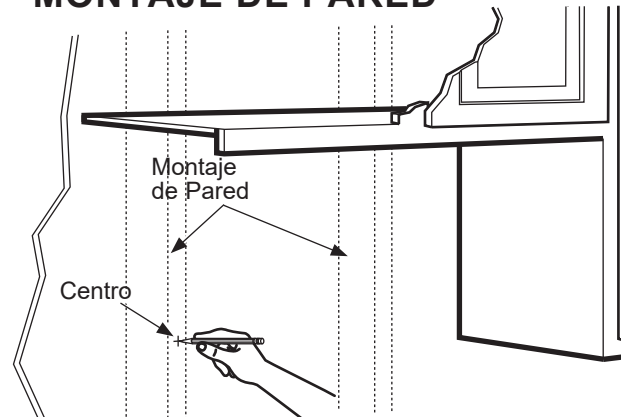
### A RETIRO DEL HORNO MICROONDAS DE LA CAJA/ RETIRO DEL PLATO DE MONTAJE

- 1 Abra la caja y vuelva a doblar las cuatro lengüetas de la caja completamente contra los costados de la caja. Retire los siguientes artículos de la gomaespuma protectora: instrucciones de instalación, filtros, adaptador del escape, regulador, y la caja pequeña de piezas. No retire la gomaespuma que protegé el frente del horno microondas.
- 2 Luego con cuidado haga girar el horno microondas y la caja sobre la parte superior. El horno microondas deberá descansar sobre la gomaespuma.



- 3 Empuje la caja hacia arriba y afuera del horno microondas.
- 4 La placa de montaje está adherida a la parte trasera del horno microondas. Retire los dos tornillos que la sostienen al horno microondas. La placa se usará como la plantilla de la pared trasera y para montar el horno microondas a la pared.
- 5 Coloque el horno microondas en forma vertical. Retire y de forma apropiada descarte las bolsas de plástico y la gomaespuma.
- 6 Abra la puerta del horno microondas y retire la hoja plástica y la cinta del interior de la puerta del horno microondas. Retire la cinta que cubre el centro del plato giratorio.

### B BÚSQUEDA DEL MONTAJE DE PARED

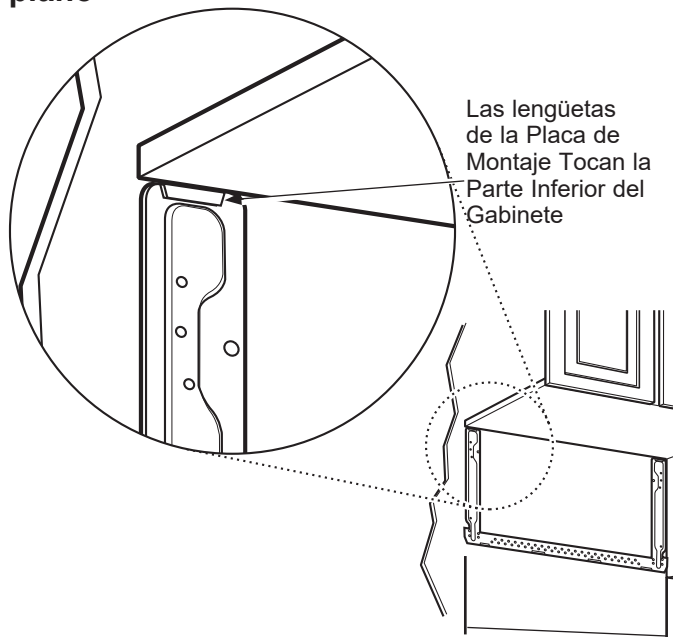


- 1 Busque los montajes, usando uno de los siguientes métodos:
    - A. Buscador de montajes.
    - B. Use un martillo para golpear suavemente sobre la superficie de montaje para buscar un sonido sólido. Esto indicará la ubicación del montaje.
  - 2 Luego de ubicar el montaje(s), busque el centro sondeando la pared con un clavo pequeño para buscar los extremos del montaje. Luego haga una marca a mitad de camino entre los extremos. El centro de cualquier montaje adyacente deberá estar a 16" o 24" desde esta marca.
  - 3 Dibuje una línea sobre el centro de los montajes.
- IMPORTANTE:** El horno microondas se deberá conectar a por lo menos un montaje de pared.

# Instrucciones de Instalación

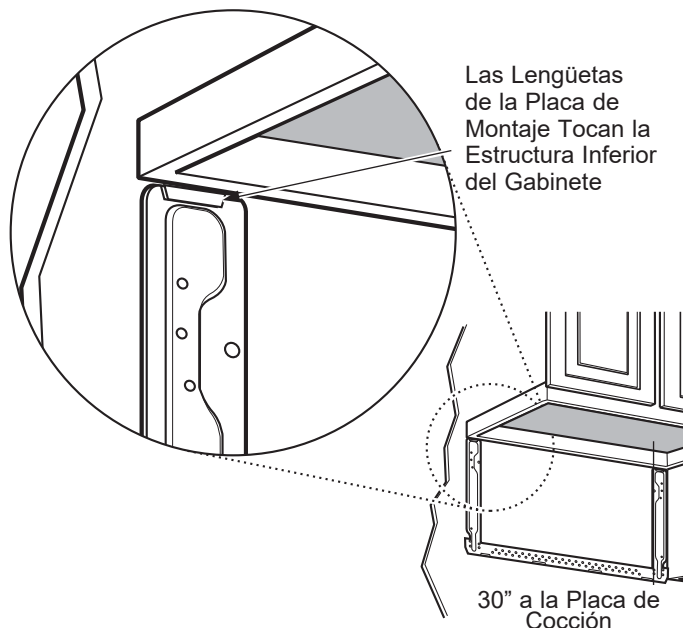
## C DETERMINACIÓN DE LA PLACA DE MONTAJE DEBAJO DE SU GABINETE

### Posición de la Placa – gabinete inferior plano



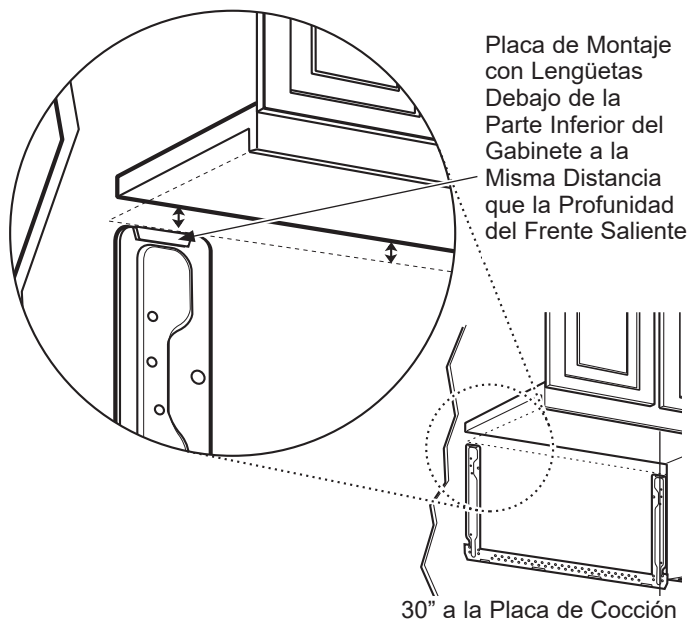
Por lo menos 30", hasta 36"

### Posición de la Placa – gabinete inferior hueco



30" a la Placa de Cocción

### Posición de la Placa – gabinete con frente saliente



30" a la Placa de Cocción

Es posible que sus gabinetes posean bordes decorativos que interfieren con la instalación del horno microondas. Es posible que necesite retirar el borde decorativo para instalar el horno microondas de forma apropiada y nivelarlo.

#### **EL HORNO MICROONDAS DEBE ESTAR NIVELADO.**

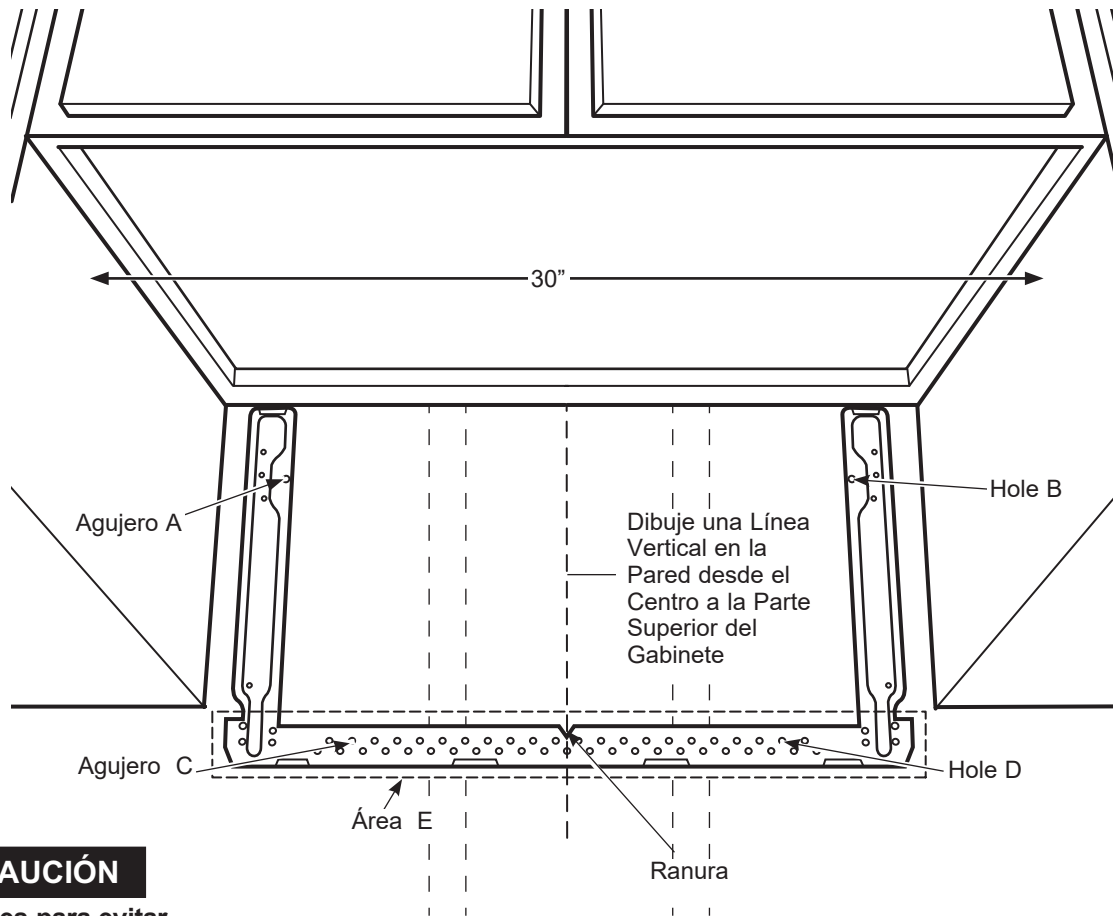
Use un nivel para asegurarse de que la parte inferior del gabinete esté nivelada.

Si los gabinetes cuentan con un frente saliente, instale la placa de montaje a la misma distancia que la profundidad del frente saliente. Esto mantendrá el horno microondas nivelado.

- 1 Mida la profundidad interna del frente saliente.
- 2 Dibuje una línea horizontal en la pared trasera que posea la misma distancia debajo del fondo del gabinete como de la profundidad interior del frente saliente.
- 3 Para este tipo de instalación con frente saliente, alinee las lengüetas montantes con la línea horizontal, sin tocar la parte inferior del gabinete como se describe en el paso D.

# Instrucciones de Instalación

## D ALINEE LA PLACA DE MONTAJE



### ⚠ PRECAUCIÓN

Use guantes para evitar cortes de dedos en extremos puntiagudos.

- 1 Dibuje una línea vertical en la pared en el centro del espacio de 30" de ancho.
- 2 Use la placa de montaje **como plantilla** para la pared trasera. Coloque la placa de montaje en la pared, asegurándose de que las lengüetas estén **tocando la parte inferior del gabinete o la línea a nivel dibujada en el paso C para gabinetes con frente saliente. Alinee la ranura y la línea central de la placa de montaje con la línea central de la pared.**
- 3 Mientras sostiene la placa de montaje con una mano, dibuje círculos en la pared en los agujeros A, B, C y D (consulte la ilustración más arriba/ la placa real está marcada con flechas). **Se deberán usar cuatro agujeros para el montaje.**

**NOTA:** Los agujeros C y D están dentro del área E. Si C y D no están en un montaje, busque un montaje en alguna parte en el área E y dibuje un quinto círculo que se alinee con el montaje. Es importante usar **por lo menos un tornillo de madera** montado **de manera firme en un montaje** para sostener el peso del horno microondas.

**Deje la placa de montaje a un costado.**

**⚠ ADVERTENCIA** **Riesgo de Descarga Eléctrica.** Puede ocasionar lesiones o la muerte. Deberá tener cuidado de no taladrar sobre cableados eléctricos dentro de paredes o gabinetes.

- 4 Haga agujeros sobre los círculos. Si hay un montaje, haga un agujero de 3/16" para tornillos de madera. Para aquellos agujeros que no estén alineados con un montaje, haga un agujero de 5/8" para tornillos con resorte.

**NOTA: NO MONTE LA PLACA EN ESTE MOMENTO.**

# Instrucciones de Instalación

## 2 TIPOS DE INSTALACIÓN (Elija A, B o C)

Este horno microondas está diseñado para ser adaptado a los siguientes 3 tipos de ventilación:

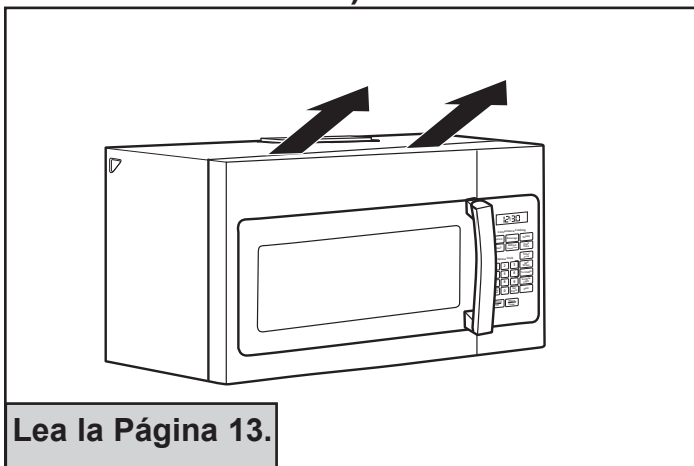
**A. Recirculación (Sin Conductos no Ventilados)**

**B. Escape Exterior Superior (Conducto Vertical)**

**C. Escape Exterior Trasero (Conducto Horizontal)**

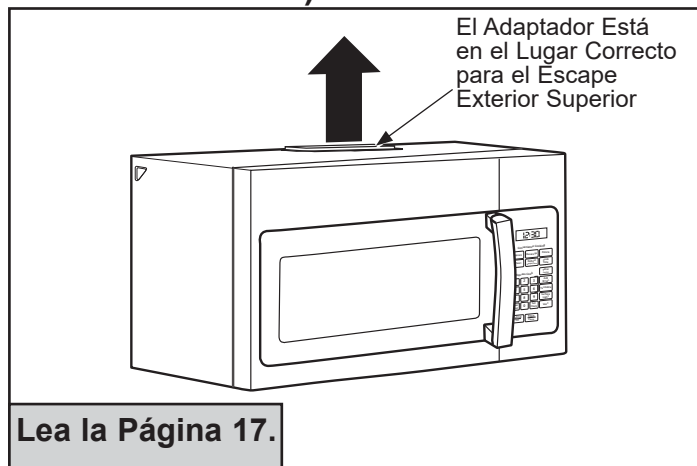
**NOTA:** Seleccione el tipo de ventilación requerida para su instalación y proceda a dicha sección.

### A RECIRCULACIÓN (SIN CONDUCTOS NO VENTILADOS)

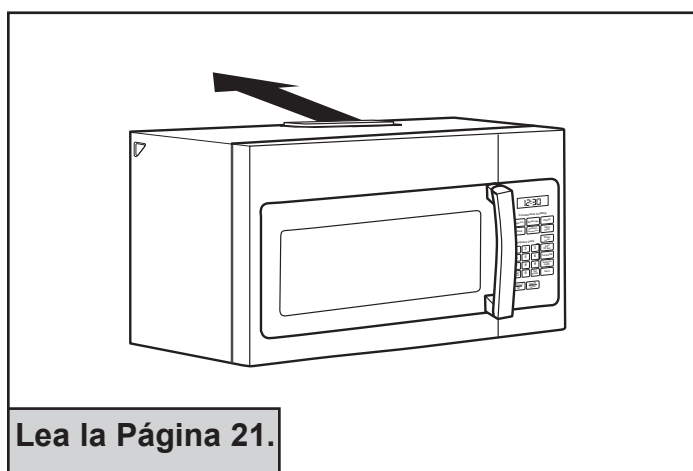


Se requiere un Kit de Accesorios de Filtros de Carbón para el escape no ventilado. (Consulte el número del kit en su Manual del Propietario).

### B ESCAPE EXTERIOR SUPERIOR (CONDUCTO VERTICAL)



### C ESCAPE EXTERIOR TRASERO (CONDUCTO HORIZONTAL)

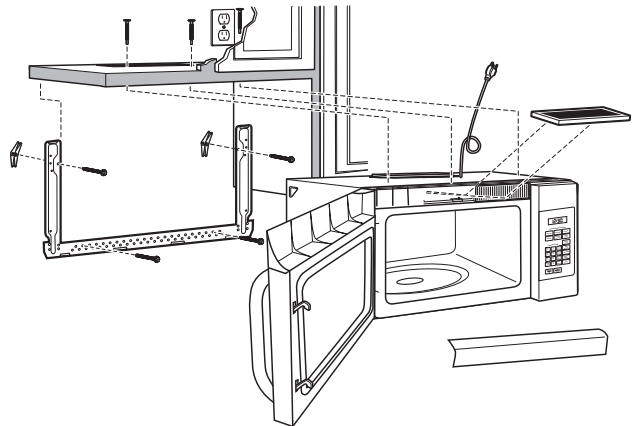


# Instrucciones de Instalación

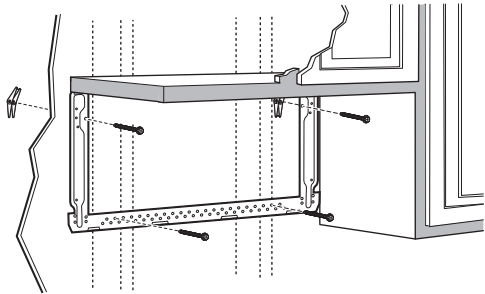
## A RECIRCULACIÓN (Sin Conductos No Ventilados)

### VISIÓN GENERAL DE LA INSTALACIÓN

- A1. ADHERA LA PLACA DE MONTAJE A LA PARED
- A2. USE LA PLANTILLA DEL GABINETE SUPERIOR PARA LA PREPARACIÓN DEL GABINETE SUPERIOR
- A3. AJUSTE EL MOTOR DEL CALENTADOR
- A4. CÓMO INSTALAR EL FILTRO DE CARBÓN
- A5. MONTE EL HORNO MICROONDAS
- A6. INSTALACIÓN/ REEMPLAZO DEL FILTRO DE CARBÓN SIN ACCESO A LOS TORNILLOS SUPERIORES Y LA UNIDAD YA FUE MONTADA



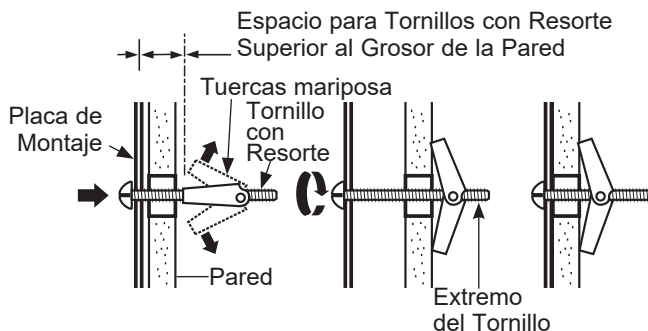
### A1 ADHERA LA PLACA DE MONTAJE A LA PARED



Adhiera la placa a la pared usando tornillos con resorte. Por lo menos un tornillo de madera deberá ser usado para adherir la placa al montaje de pared.

- 1 Retire las tuercas mariposa de los tornillos.
- 2 Inserte los tornillos en la placa de montaje a través de los agujeros designados para entrar en la placa de yeso y vuelva a ajustar las tuercas mariposa a 3/4" sobre cada tornillo.

**Para usar tornillos con resorte:**



- 3 Coloque la placa de montaje contra la pared e inserte las tuercas mariposa en los agujeros de la pared para montar la placa.

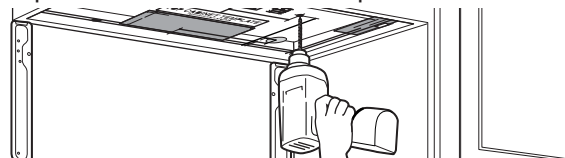
**NOTA:** Antes de ajustar los tornillos con resorte y el tornillo de madera, asegúrese de que las lengüetas sobre la placa de montaje toquen la parte inferior del gabinete o la línea a nivel horizontal cuando se lo presione contra la pared y que la placa esté correctamente centrada debajo del gabinete.

**⚠ PRECAUCIÓN** Tenga cuidado para evitar pellizcos en los dedos entre la parte trasera de la placa de montaje y la pared.

- 4 Ajuste todos los tornillos. Empuje la placa hacia afuera de la pared para ayudar a ajustar los tornillos.

### A2 USE LA PLANTILLA DEL GABINETE SUPERIOR PARA LA PREPARACIÓN DEL GABINETE SUPERIOR

Es necesario hacer agujeros para los tornillos del soporte superior y un agujero lo suficientemente grande para que el cable de corriente lo pueda atravesar.



- Lea las instrucciones sobre la PLANTILLA DEL GABINETE SUPERIOR.
- Pegue la misma debajo del gabinete superior.
- Haga los agujeros siguiendo las instrucciones en la PLANTILLA DEL GABINETE SUPERIOR.

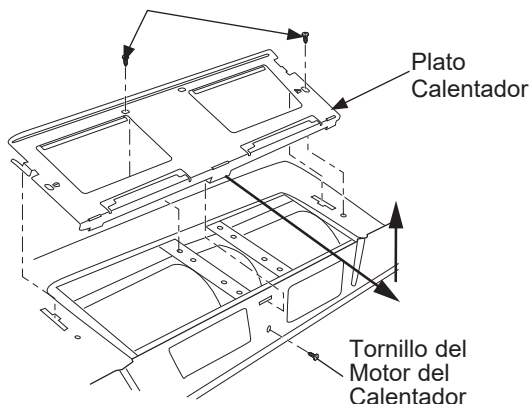
**⚠ PRECAUCIÓN** Use gafas de seguridad al realizar agujeros en la parte inferior del gabinete.

# Instrucciones de Instalación

## A3 AJUSTE EL MOTOR DEL CALENTADOR

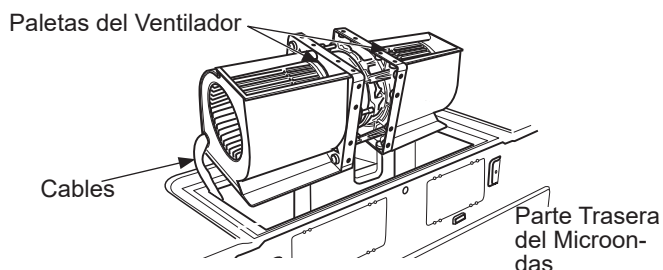
- 1 Retire los tornillos que sostienen la unidad del calentador y los tornillos que aseguran el plato calentador. Retire el plato calentador de la caja externa, deslizando la misma hacia la parte trasera del horno microondas y empujando hacia arriba.

Tornillos del Motor del Calentador

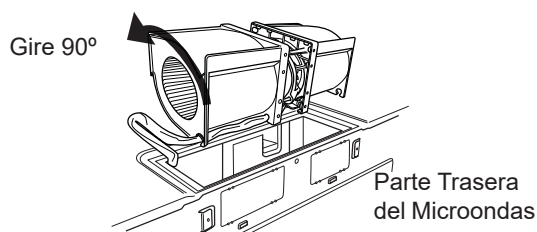


- 2 Con cuidado empuje hacia usted la unidad del calentador. Los cables se extenderán lo suficiente como para permitirle ajustar la unidad del calentador.

## A3 AJUSTE EL MOTOR DEL CALENTADOR (cont.)



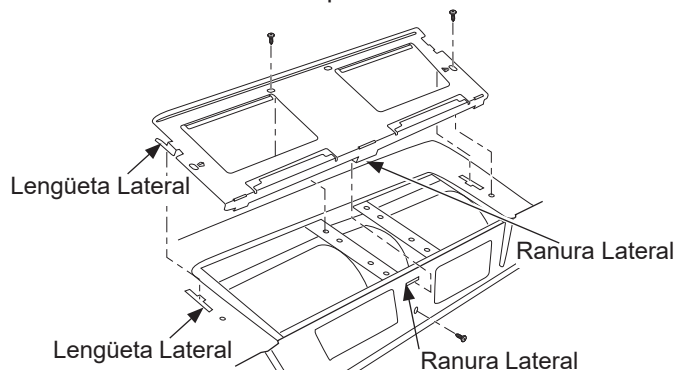
- 3 Ruede la unidad del calefactor 90° de forma tal que las aberturas de la paleta del ventilador estén orientadas hacia el frente del microondas.



**Nota:** Asegúrese de que los cables permanezcan dirigidos hacia las aberturas de la estructura del motor. Para evitar daños sobre el cableado del motor del ventilador, inserte el motor cuidadosamente de forma tal que el cableado del motor del ventilador no tenga contacto con el soporte del cable de encendido del microondas.

**⚠ ADVERTENCIA** Riesgo de Descarga Eléctrica. Puede ocasionar lesiones o la muerte. No empuje ni extienda el cableado de la unidad del soplador. Asegúrese de que los cables no posean cortes.

- 4 Deslice el plato calentador nuevamente hacia el microondas, colocando las lengüetas laterales en las ranuras y empujando suavemente hasta que la lengüeta trasera quede ubicada en la ranura trasera. Reemplace los 3 tornillos.

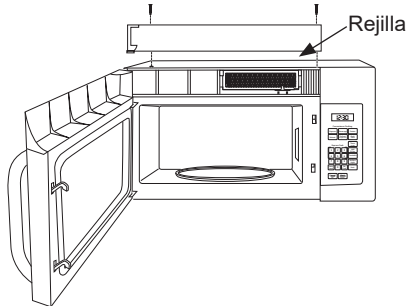




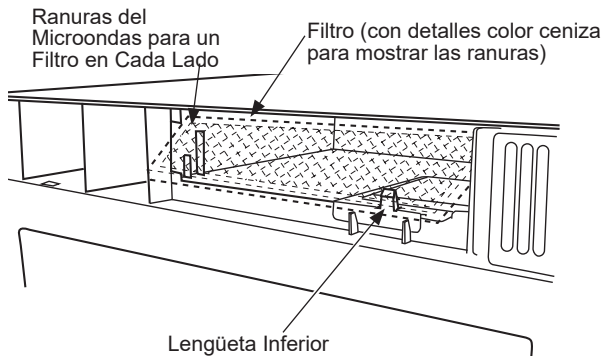
# Instrucciones de Instalación

## A4 CÓMO INSTALAR EL FILTRO DE CARBÓN

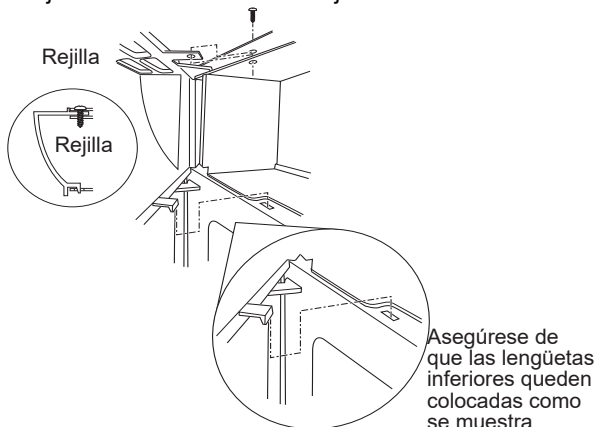
- 1 Retire los 2 tornillos en la parte superior del horno microondas, justo arriba del panel de la rejilla, usando un destornillador Phillips. Si los dos tornillos no están accesibles, lea la sección A5.
- 2 Abra la puerta.
- 3 Retire el rejilla.



- 4 Inserte la parte superior del filtro arriba y en las ranuras a ambos lados de la parte interior de la abertura superior. Una vez que haya despejado la lengüeta inferior, empuje la parte inferior del filtro hasta que esté correctamente colocada detrás de la lengüeta.

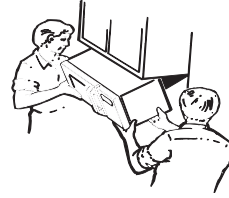


- 5 Reemplace la rejilla, insertando la pestaña superior de la rejilla en las ranuras de la caja como se muestra.



- 6 Reemplace los dos tornillos superiores.
- 7 Cierre la puerta.

## A5 MONTE EL HORNO MICROONDAS



### ⚠ PRECAUCIÓN

A fin de evitar el riesgo de lesión personal (lesión en la espalda u otras lesiones debido a un peso excesivo del horno microondas) o daños sobre la propiedad, deberá contar con la ayuda de dos personas para instalar este horno microondas.

**IMPORTANTE:** No tome ni use la manija durante la instalación.

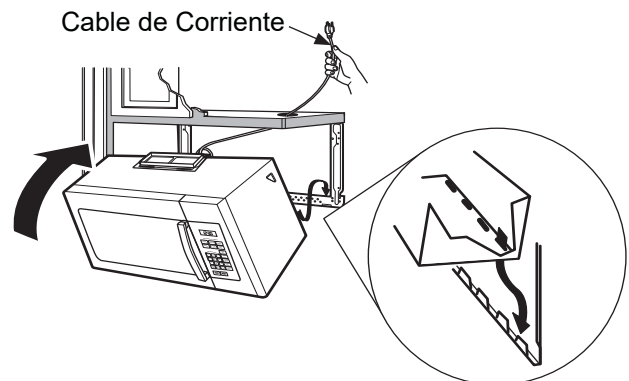
### ⚠ ADVERTENCIA

**Riesgo de Descarga Eléctrica. Puede ocasionar lesiones o la muerte: Si instala la unidad con encimeros de metal, cubra el agujero del extremo del cable de suministro de corriente con aislante para el cable del suministro de corriente.**

**IMPORTANTE:** Si no se usan bloqueos de filtro, se podrán producir daños en la caja debido al ajuste excesivo de los tornillos.

**NOTA:** Al montar el horno microondas, haga pasar el cable de corriente a través del agujero de la parte inferior del gabinete superior. Mantenga el mismo apretado siguiendo los Pasos 1 a 3. Evite cortes en el cable o que se levante el horno microondas por tirar del cable.

- 1 Levante el horno microondas, incline el mismo hacia adelante, y enganche las ranuras en el extremo inferior trasero sobre las cuatro lengüetas inferiores de la placa de montaje

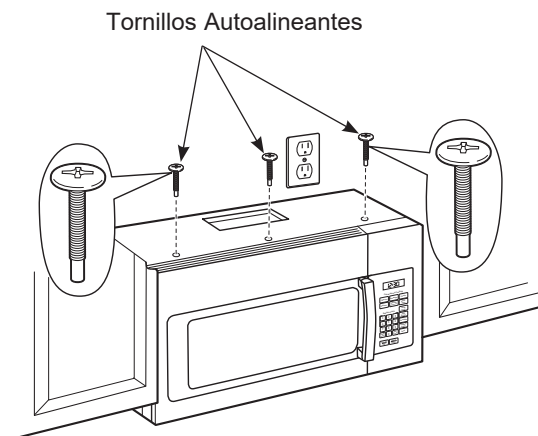
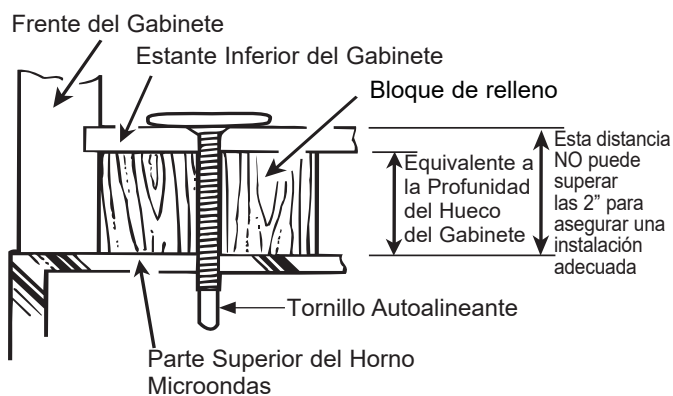


- 2 Gire el frente del horno contra la parte inferior del gabinete.

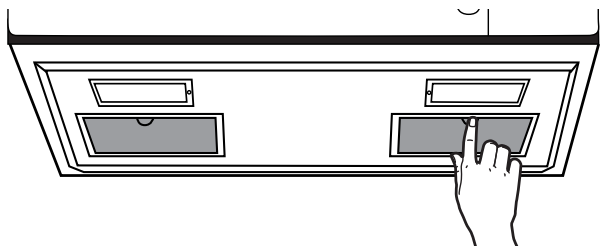
# Instrucciones de Instalación

## A5 MONTE EL HORNO (cont.)

- 3 Inserte 3 tornillos autoalineantes (1/4" – 28 x 2 1/4") a través de los agujeros del gabinete superior externo. Dé dos giros completos a cada tornillo.



- 4 Ajuste los tres tornillos en la parte superior del horno microondas. (Al ajustar los tornillos, sostenga el horno microondas en su posición contra la pared y el gabinete superior).
- 5 Instale los filtros de grasa. Consulte el Manual del Propietario embalado con el horno microondas.



## A6 INSTALACIÓN/ REEMPLAZO DEL FILTRO DE CARBÓN SIN ACCESO A LOS TORNILLOS SUPERIORES Y LA UNIDAD YA FUE MONTADA

### DESMONTE EL HORNO MICROONDAS



#### ⚠ PRECAUCIÓN

A fin de evitar el riesgo de lesión personal (lesión en la espalda u otras lesiones debido a un peso excesivo del horno microondas) o daños sobre la propiedad, deberá contar con la ayuda de dos personas para instalar este horno microondas.

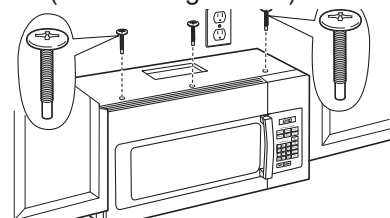
**IMPORTANTE:** No tome ni use la manija durante el retiro.

#### ⚠ ADVERTENCIA

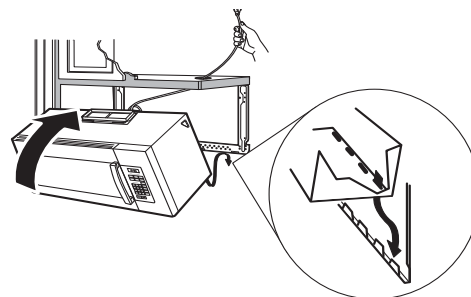
Riesgo de Descarga Eléctrica. Puede ocasionar lesiones o la muerte: Si retira la unidad con encimeros de metal, cubra el extremo del agujero del cable del suministro de corriente con aislante para el cable del suministro de corriente.

**IMPORTANTE:** Si no se usan bloqueos de filtro, se podrán producir daños en la caja debido al ajuste excesivo de los tornillos.

- 1 Afloje los 3 tornillos en la parte superior del horno microondas (dentro del gabinete).



- 2 Levante el horno microondas, incline el mismo hacia adelante, y desenganche las ranuras en el extremo inferior trasero sobre las cuatro lengüetas inferiores de la placa de montaje.



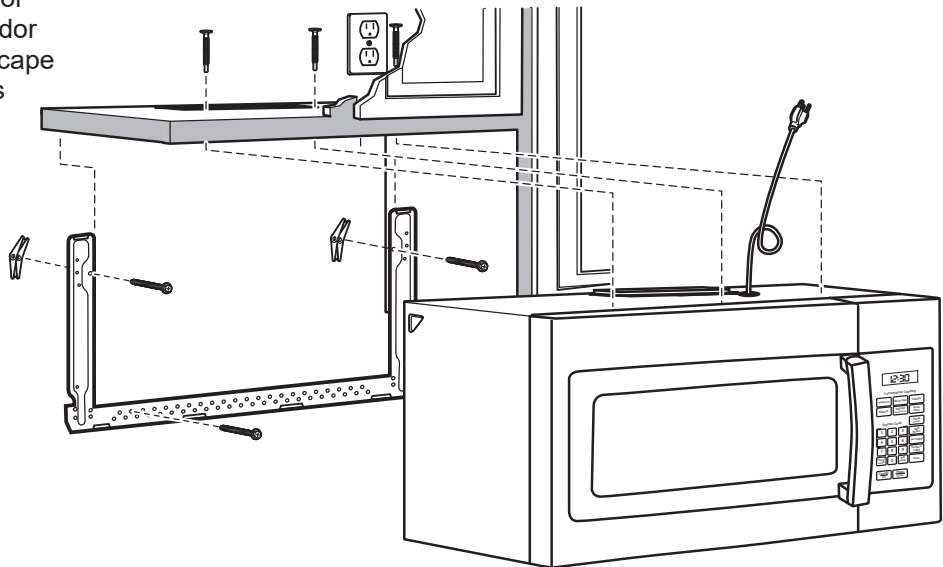
- 3 Reemplace el filtro usando instrucciones de la sección A4.
- 4 Vuelva a instalar la unidad siguiendo las instrucciones de A5.

# Instrucciones de Instalación

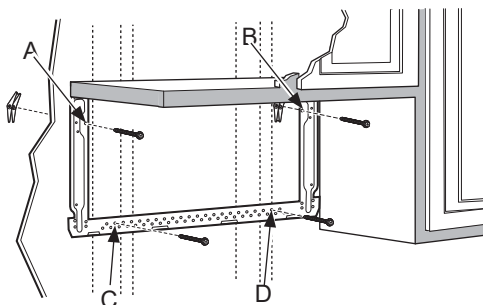
## B ESCAPE SUPERIOR EXTERIOR (Conducto Vertical)

### VISIÓN GENERAL DE LA INSTALACIÓN

- B1. Adjunte la Placa de Montaje a la Pared
- B2. Prepare el Gabinete Superior
- B3. Ajuste el Motor del Calentador
- B4. Instale el Adaptador del Escape
- B5. Monte el Horno Microondas
- B6. Conecte la Tubería



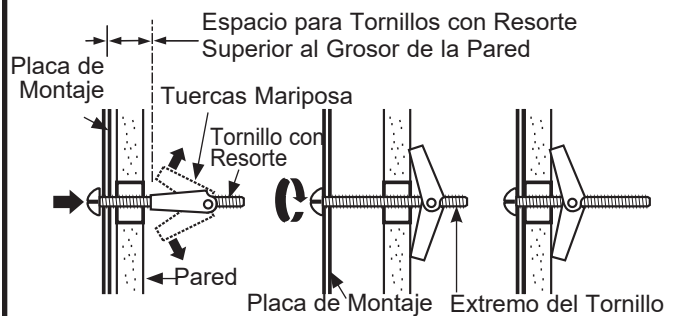
### B1 ADHIERA LA PLACA DE MONTAJE A LA PARED



Adhiera la placa a la pared usando tornillos con resortes. Por lo menos un tornillo de madera deberá ser usado para adherir la placa al montaje de pared. Las ubicaciones recomendadas sobre la placa de pared están indicadas por A, B, C y D.

- 1 Retire las tuercas mariposa de los tornillos.
- 2 Inserte los tornillos en la placa de montaje a través de los agujeros designados para entrar en la placa de yeso y vuelva a ajustar las tuercas mariposa a 3/4" sobre cada tornillo.

### PARA USAR TORNILLOS CON RESORTE:



- 3 Inserte las tuercas mariposa en los agujeros de la pared y coloque la placa de montaje contra la pared.

**NOTA:** Antes de ajustar los tornillos con resorte y el tornillo de madera, asegúrese de que las lengüetas sobre la placa de montaje toquen la parte inferior del gabinete cuando se las presione contra la pared y que la placa esté correctamente centrada debajo del gabinete.

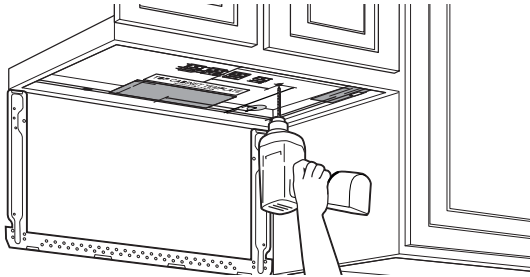
**⚠ PRECAUCIÓN** Tenga cuidado para evitar pellizcos en los dedos entre la parte trasera de la placa de montaje y la pared.

- 4 Ajuste todos los tornillos. Empuje la placa hacia afuera de la pared para ayudar a ajustar los tornillos.

# Instrucciones de Instalación

## B2 USE LA PLANTILLA DEL GABINETE SUPERIOR PARA LA PREPARACIÓN DEL GABINETE SUPERIOR

Es necesario que haga agujeros para los tornillos de soporte de la parte superior, un agujero lo suficientemente grande para que el cable de corriente pueda pasar, y un disyuntor lo suficientemente grande para el adaptador del escape.

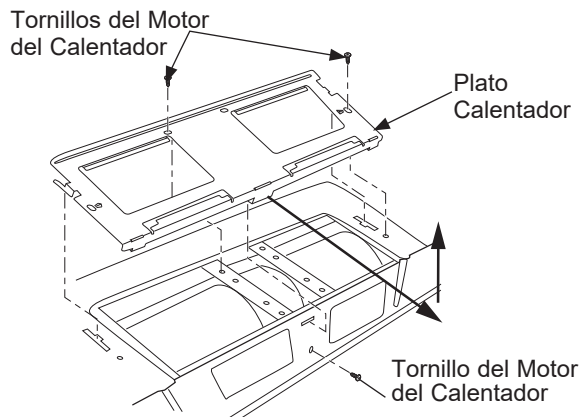


- Lea las instrucciones sobre la PLANTILLA DEL GABINETE SUPERIOR
- Pegue la misma debajo del gabinete superior.
- Haga los agujeros siguiendo las instrucciones en la PLANTILLA DEL GABINETE SUPERIOR.

**⚠ PRECAUCIÓN** Use gafas de seguridad al realizar agujeros en la parte inferior del gabinete.

## B3 AJUSTE EL MOTOR DEL CALENTADOR

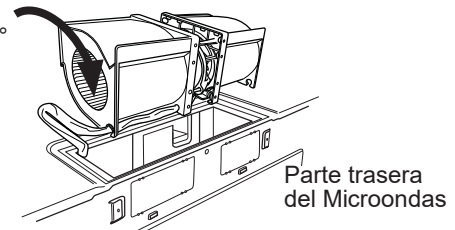
- 1 Retire los tornillos que sostienen la unidad del calentador y los tornillos que aseguran el plato calentador. Retire el plato calentador de la caja externa, deslizando la misma hacia la parte trasera del horno microondas y empujando hacia arriba.



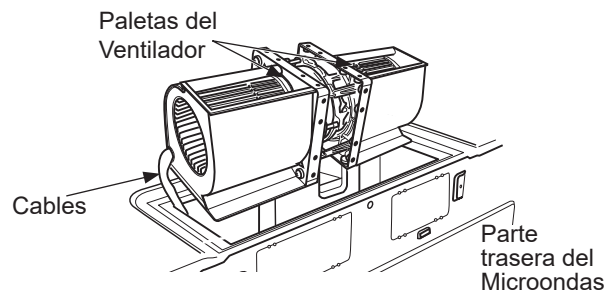
- 2 Con cuidado empuje hacia usted la unidad del calentador. Los cables se extenderán lo suficiente como para permitirle ajustar la unidad del calefactor.

## B3 AJUSTE EL MOTOR DEL CALENTADOR (cont.)

Gire 90°



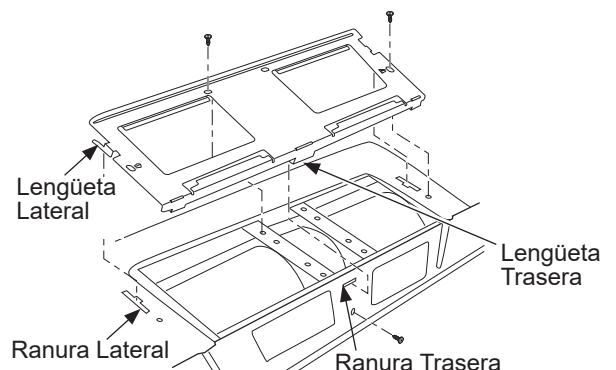
- 3 Haga rodar el calentador de modo que las aberturas de las paletas del ventilador enfrenten la parte superior del horno. Vuelva a colocar el calentador en la abertura.



**NOTA:** Asegúrese de que los cables permanezcan dirigidos hacia las aberturas de la estructura del motor. Para evitar daños sobre el cableado del motor del ventilador, inserte el motor cuidadosamente de forma tal que el cableado del motor del ventilador no tenga contacto con el soporte del cable de encendido del microondas.

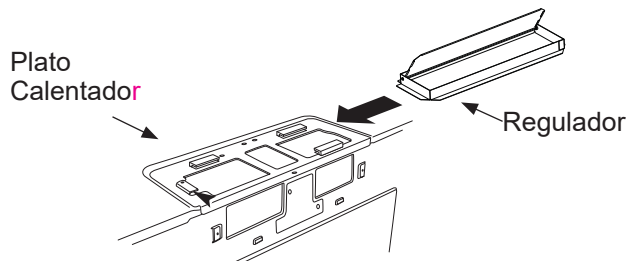
**⚠ ADVERTENCIA** Existe riesgo de descargas eléctricas que pueden ocasionar lesiones o la muerte. No empuje ni extienda el cableado de la unidad del soplador. Asegúrese de que los cables no posean cortes.

- 4 Deslice el plato calentador nuevamente hacia el microondas, colocando las lengüetas laterales en las ranuras y empujando suavemente hasta que la lengüeta trasera quede ubicada en la ranura trasera. Reemplace los 3 tornillos.



# Instrucciones de Instalación

## B4 ENSAMBLE E INSTALE EL ADAPTADOR



- 1 Coloque el horno microondas en su posición vertical, con la parte superior de la unidad hacia arriba y el frente hacia usted.
- 2 Coloque el horno microondas en su posición vertical, con la parte superior de la unidad hacia arriba y el frente hacia usted.
- 3 Deslice el regulador de izquierda a derecha dentro de las lengüetas en el plato calentador. La cinta amarilla del regulador deberá estar en dirección contraria hacia usted.
- 4 Retire la cinta amarilla del regulador. **Asegúrese de que el regulador gire fácilmente antes del montar el horno microondas.**  
Deberá hacer ajustes para asegurar una alineación correcta con el conducto de escape de su hogar luego de instalar el horno microondas.
- 5 Posicione el plato calentador con el regulador nuevamente en el microondas y asegure el mismo con los tornillos que fueron retirados.

## B5 MONTE EL HORNO MICROONDAS



### ⚠ PRECAUCIÓN

A fin de evitar el riesgo de lesión personal (lesión en la espalda u otras lesiones debido a un peso excesivo del horno microondas) o daños sobre la propiedad, deberá contar con la ayuda de dos personas para instalar este horno microondas.

**IMPORTANTE:** No tome ni use la manija durante la instalación.

### ⚠ ADVERTENCIA

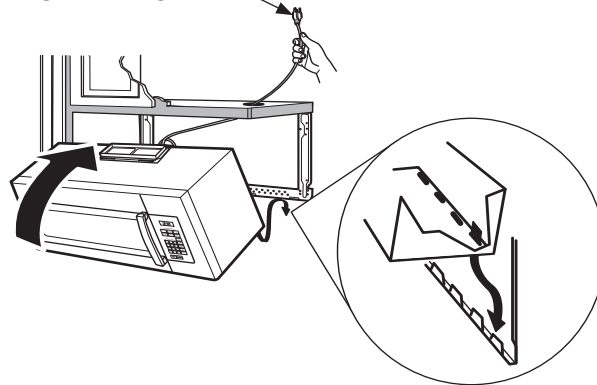
**Riesgo de Descarga Eléctrica. Puede ocasionar lesiones o la muerte: Si instala la unidad con encimeros de metal, cubra el agujero del extremo del cable de suministro de corriente con aislante para el cable del suministro de corriente.**

**IMPORTANTE:** Si no se usan bloqueos de filtro, se podrán producir daños en la caja debido al ajuste excesivo de los tornillos.

**NOTA:** Al montar el horno microondas, haga pasar el cable de corriente a través del agujero de la parte inferior del gabinete superior. Mantenga el mismo apretado siguiendo los Pasos 1 a 3. Evite cortes en el cable o que se levante el horno microondas por tirar del cable.

- 1 Levante el horno microondas, incline el mismo hacia adelante, y enganche las ranuras en el extremo inferior trasero sobre las cuatro lengüetas inferiores de la placa de montaje.

Cable de Corriente

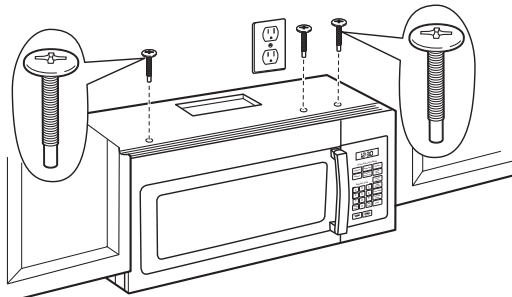


- 2 Gire el frente del horno contra la parte inferior del gabinete.

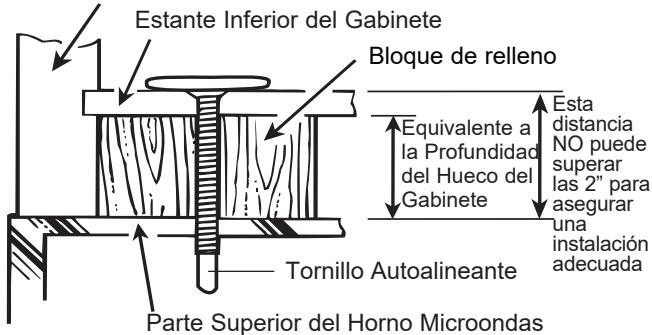
# Instrucciones de Instalación

## B5 MONTE EL HORNO MICROONDAS (cont.)

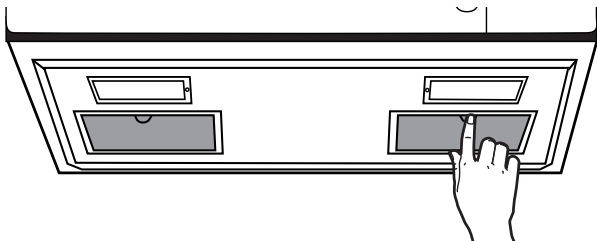
- 3 Inserte un tornillo autoalineante a través del agujero de la parte superior del centro del gabinete. En forma temporaria asegure el horno dando al tornillo por lo menos **dos giros completos** una vez que las roscas fueron colocadas. (Más tarde se ajustará completamente.) Inserte 2 tornillos autoalineantes (1/4" – 28 x 2 1/4") a través de los agujeros del gabinete superior externo. Dé dos giros completos a cada tornillo.



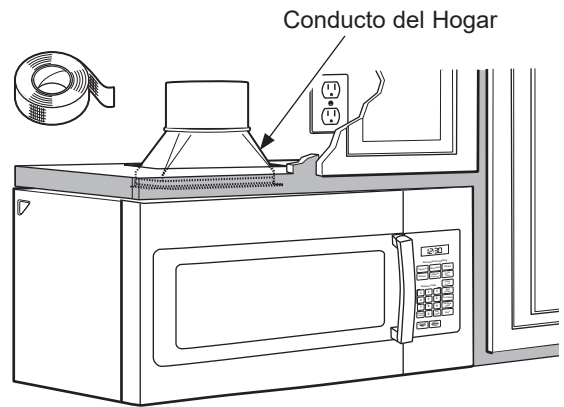
Frente del Gabinete



- 4 Ajuste los tres tornillos en la parte superior del horno microondas. (Al ajustar los tornillos, sostenga el horno microondas en su posición contra la pared y el gabinete superior).
- 5 Instale los filtros de grasa. Consulte el Manual del Propietario embalado con el horno microondas.



## B6 CONEXIÓN DEL CONDUCTO



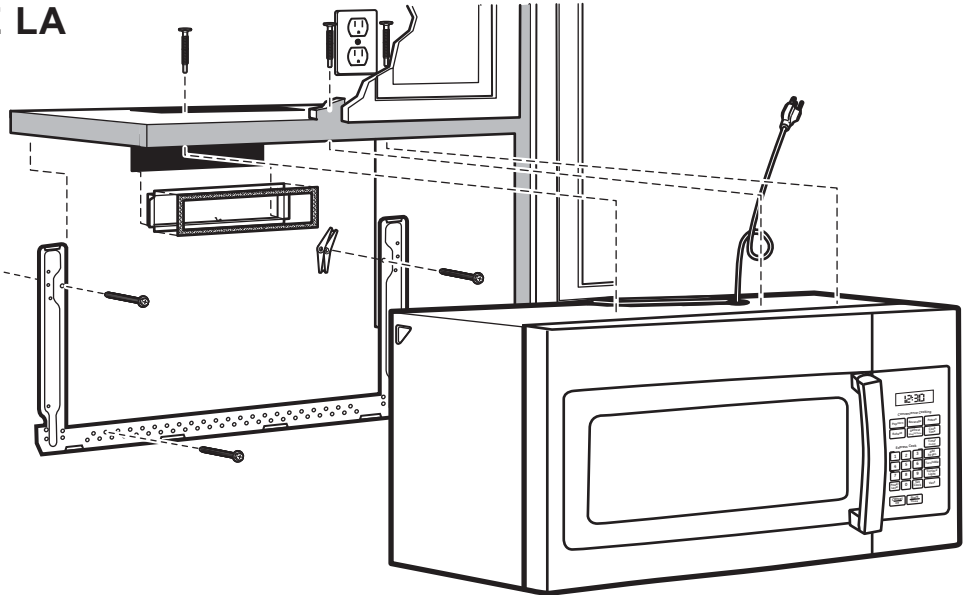
- 1 Extienda el conducto del hogar para poder conectarlo al adaptador del escape.
- 2 Selle las juntas del conducto de escape usando cinta para conductos.

# Instrucciones de Instalación

## C ESCAPE EXTERIOR TRASERO (Conducto Horizontal)

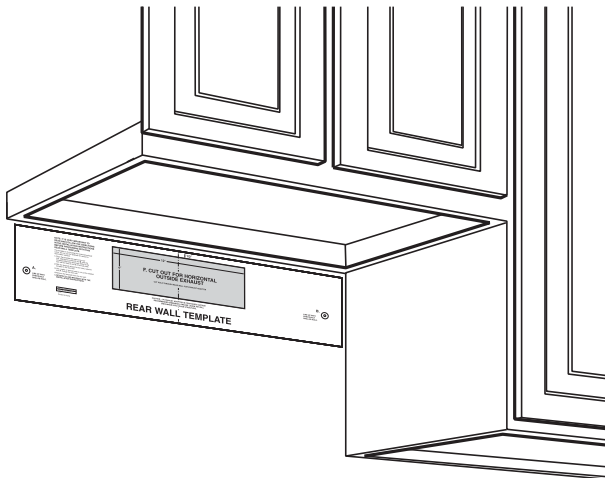
### VISIÓN GENERAL DE LA INSTALACIÓN

- C1. Prepare la Pared Trasera
- C2. Adjunte la Placa de Montaje a la Pared
- C3. Prepare el Gabinete Superior
- C4. Ajuste el Calentador
- C5. Monte el Horno Microondas



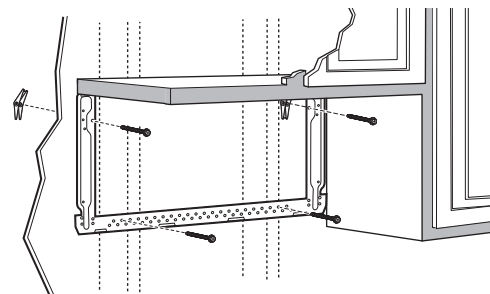
### C1 PREPARACIÓN DE LA PARED TRASERA PARA EL ESCAPE EXTERNO TRASERO

Es necesario cortar una abertura en la pared trasera del escape externo.



- Lea las instrucciones sobre la PLANTILLA DE LA PARED TRASERA.
- Pegue la misma a la pared trasera, alineándola con los agujeros previamente perforados A y B en la placa de montaje.
- Corte la abertura, siguiendo las instrucciones de la PLANTILLA DE LA PARED TRASERA.

### C2 ADHIERA LA PLACA DE MONTAJE A LA PARED



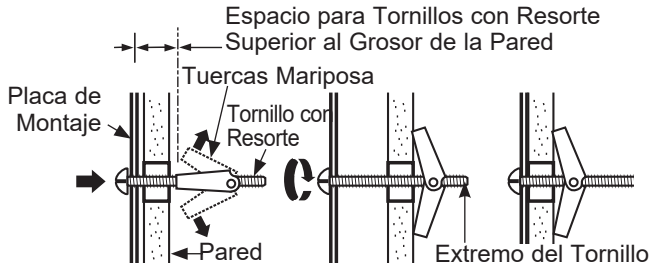
Adhiera la placa a la pared usando tornillos con resortes. Por lo menos un tornillo de madera deberá ser usado para adherir la placa al montaje de pared.

- 1 Retire las tuercas mariposa de los tornillos.
- 2 Inserte los tornillos en la placa de montaje a través de los agujeros designados para entrar en la placa de yeso y vuelva a ajustar las tuercas mariposa a 3/4" sobre cada tornillo.

# Instrucciones de Instalación

## C2 ADHIERA LA PLACA DE MONTAJE A LA PARED (cont.)

Para usar tornillos con resorte:



- 3 Coloque la placa de montaje contra la pared e inserte las tuercas mariposa en los agujeros de la pared para montar la placa

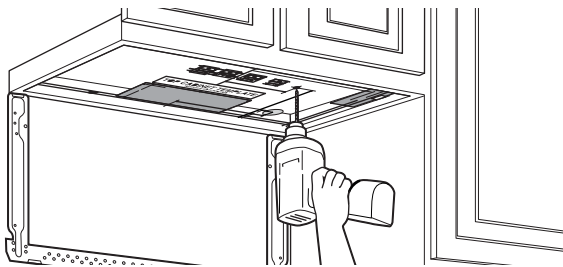
**NOTA:** Antes de ajustar los tornillos con resorte y el tornillo de madera, asegúrese de que las lengüetas sobre la placa de montaje toquen la parte inferior del gabinete cuando se las presione contra la pared y que la placa esté correctamente centrada debajo del gabinete.

**⚠ PRECAUCIÓN** Tenga cuidado para evitar pellizcos en los dedos entre la parte trasera de la placa de montaje y la pared.

- 4 Ajuste todos los tornillos. Empuje la placa hacia afuera de la pared para ayudar a ajustar los tornillos.

## C3 USE LA PLANTILLA DEL GABINETE SUPERIOR PARA LA PREPARACIÓN DEL GABINETE SUPERIOR

Es necesario hacer agujeros para los tornillos del soporte superior y un agujero lo suficientemente grande para que el cable de corriente lo pueda atravesar.



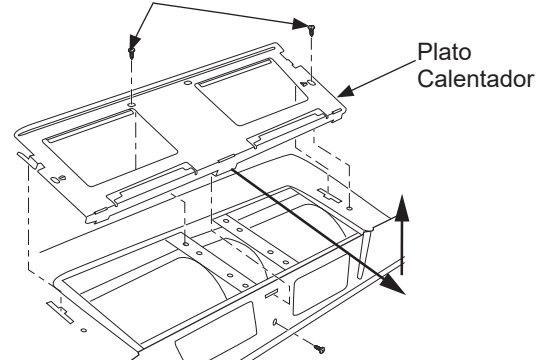
- Lea las instrucciones sobre la PLANTILLA DEL GABINETE SUPERIOR.
- Pegue la misma debajo del gabinete superior.
- Haga los agujeros siguiendo las instrucciones en la PLANTILLA DEL GABINETE SUPERIOR.

**⚠ PRECAUCIÓN** Use gafas de seguridad al realizar agujeros en la parte inferior del gabinete.

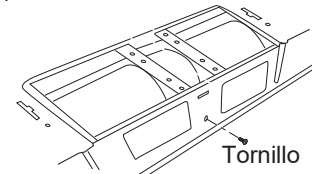
## C4 ADAPTACIÓN DEL CALEFACTOR PARA EL ESCAPE EXTERIOR TRASERO

- 1 Retire el tornillo del motor del calentador que sostiene el plato calentador sobre el horno microondas. Deslice el plato hacia la parte trasera del microondas y levante el mismo para retirarlo.

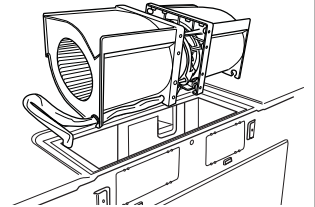
Tornillos del Motor del Calentador



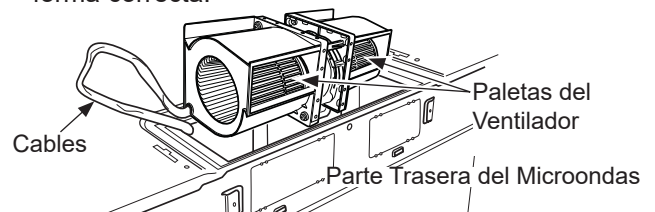
- 2 Retire el tornillo de la parte trasera de la unidad.



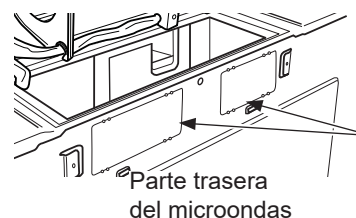
- 3 Con cuidado retire el ventilador de la cavidad. Retire el cable de la ranura en la parte inferior del ventilador luego de haber sido retirado de la cavidad.



- 4 El ventilador se debe girar 180 grados hacia la derecha para que esté en la orientación correcta, manteniendo la parte del calentador del ventilador donde el aire sale en la parte superior del ventilador. Es necesario reinsertar el cable en el espacio de la cavidad una vez que fue orientado de forma correcta.



- 5 Retire las placas preperforadas en la parte trasera de la unidad con recortes.



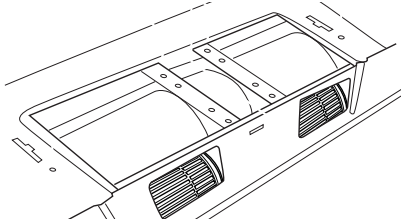
Placas Preperforadas:  
Recorte las 4 redes en cada panel preperforado y retire las preperforaciones metálicas para el flujo de aire trasero. Se deberá eliminar cualquier extremo punteagudo creado al retirar las placas preperforadas.



# Instrucciones de Instalación

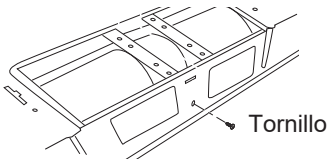
## C4 ADAPTACIÓN DEL CALEFACTOR PARA EL ESCAPE TRASERO EXTERIOR (cont.)

- 6 De forma suave vuelva a colocar el ventilador en la cavidad con la parte del escape del ventilador arriba y enfrentando la parte trasera de la unidad.

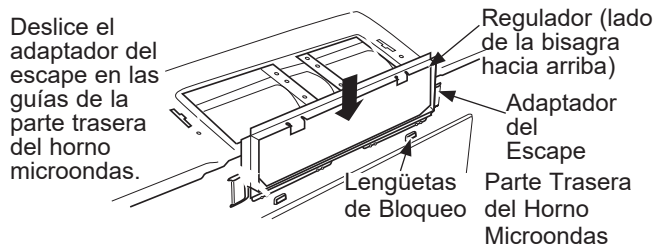


**NOTA:** Asegúrese de que los cables permanezcan dirigidos hacia las aberturas de la estructura del motor. Para evitar daños sobre el cableado del motor del ventilador, inserte el motor cuidadosamente de forma tal que el cableado del motor del ventilador no tenga contacto con el soporte del cable de encendido del microondas.

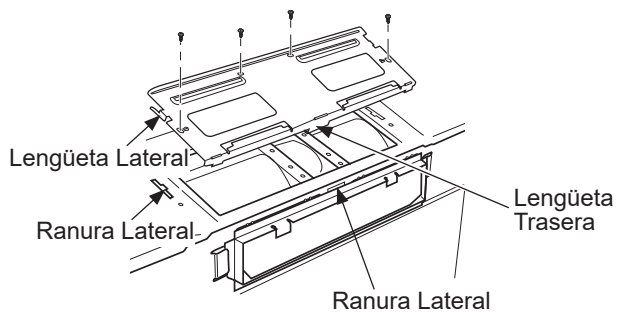
- 7 Reemplace el tornillo de la parte trasera de la unidad.



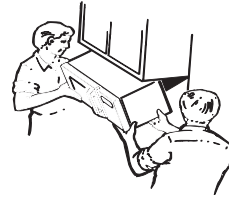
- 8 Deslice el regulador sobre la parte trasera de la unidad con la bisagra en la parte superior.



- 9 Reemplace la tapa de la ventilación de la unidad y asegure la misma a la unidad, reemplazando los dos tornillos que fueron retirados, con uno en el agujero medio y uno del otro lado.



## C5 MONTE EL HORNO MICROONDAS



### ⚠ PRECAUCIÓN

A fin de evitar el riesgo de lesión personal (lesión en la espalda u otras lesiones debido a un peso excesivo del horno microondas) o daños sobre la propiedad, deberá contar con la ayuda de dos personas para instalar este horno microondas.

**IMPORTANTE:** No tome ni use la manija durante la instalación.

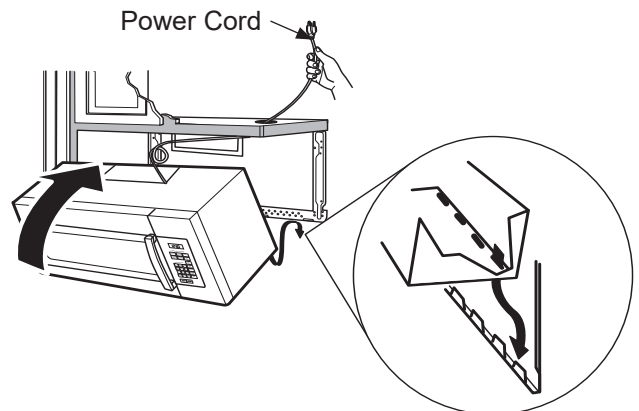
### ⚠ ADVERTENCIA

**Riesgo de Descarga Eléctrica. Puede ocasionar lesiones o la muerte: Si instala la unidad con encimeros de metal, cubra el agujero del extremo del cable de suministro de corriente con aislante para el cable de suministro de corriente.**

**IMPORTANTE:** Si no se usan bloqueos de filtro, se podrán producir daños en la caja debido al ajuste excesivo de los tornillos.

**NOTA:** Al montar el horno microondas, haga pasar el cable de corriente a través del agujero de la parte inferior del gabinete superior. Mantenga el mismo apretado siguiendo los Pasos 1 a 3. Evite cortes en el cable o que se levante el horno microondas por tirar del cable.

- 1 Levante el horno microondas, incline el mismo hacia adelante, y enganche las ranuras en el extremo inferior trasero sobre las cuatro lengüetas inferiores de la placa de montaje.

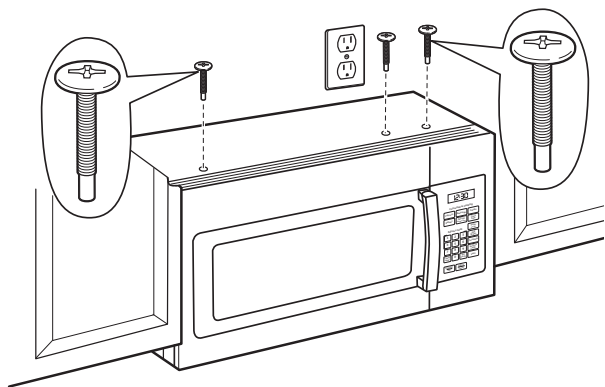


- 2 Gire el frente del horno contra la parte inferior del gabinete.

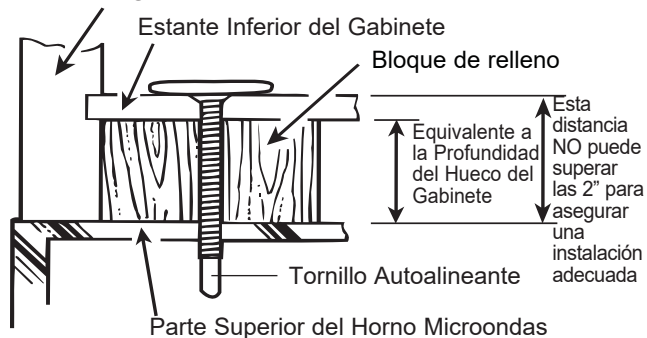
# Instrucciones de Instalación

## C5 MONTE EL HORNO MICROONDAS (cont.)

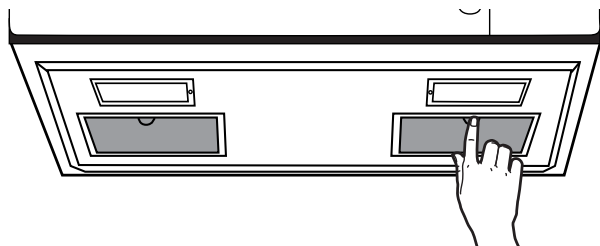
- 3** Inserte un tornillo autoalineante a través del agujero de la parte superior del centro del gabinete. En forma temporaria asegure el horno dando al tornillo por lo menos dos giros completos una vez que las roscas fueron colocadas. (Más tarde se ajustará completamente). Inserte 2 tornillos autoalineantes (1/4" – 28 x 2 1/4") a través de los agujeros del gabinete superior externo. Dé dos giros completos a cada tornillo.



Frente del Gabinete



- 4** Ajuste los tres tornillos en la parte superior del horno microondas. (Al ajustar los tornillos, sostenga el horno microondas en su posición contra la pared y el gabinete superior).
- 5** Instale los filtros de grasa. Consulte el Manual del Propietario embalado con el horno microondas.



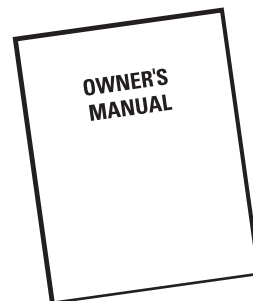
# Instrucciones de Instalación

## ANTES DE USAR EL HORNO MICROONDAS

- 1** Asegúrese de que el horno microondas haya sido instalado de acuerdo con las instrucciones.



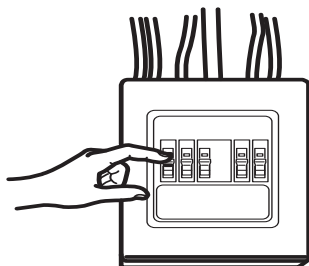
- 6** Lea el Manual del Propietario.



- 2** Retire todos los materiales de embalaje del horno microondas.

- 3** Instale el plato giratorio y el anillo del plato giratorio en la cavidad.

- 4** Reemplace el fusible del hogar o vuelva a activar el disyuntor.



- 5 Modelos de 120 V:** Enchufe el cable de corriente en un tomacorriente eléctrico específico de 15 a 20 amp.



Cuando se encuentre un tomacorriente de pared de dos enchufes, es muy importante reemplazarlo por uno conectado a tierra de forma adecuada de tres cables, instalado por un electricista calificado.

- 7** MANTENGA LAS INSTRUCCIONES DE INSTALACIÓN PARA USO DEL INSPECTOR LOCAL.



# Instrucciones de Instalación

---