



15 cu.ft. Frost Free Refrigerator



MFF150W/BLS

Congratulations on the purchase of your new Marathon Refrigerator!

To activate your Warranty, please register your appliance at www.stirlingmarathon.com or by completing and mailing the enclosed Warranty Registration Card. We are confident you will have years of hassle free enjoyment and ask that you please retain the Use & Care Guide for future reference and your safety.

Before installing please, read your Use & Care guide carefully and pay special attention to the Safety & Warning information outlined in the following pages.

For immediate assistance: 1-844-309-9777
www.stirlingmarathon.com



MFF150W/BLS

Congratulations

Congratulations on the purchase of your new Marathon Appliance!

To activate your Warranty, please register your appliance at www.stirlingmarathon.com or by completing and mailing the enclosed Warranty Registration Card. We are confident you will have years of hassle free enjoyment and ask that you please retain the Use & Care Guide for future reference and your safety.

Important Safety Instructions

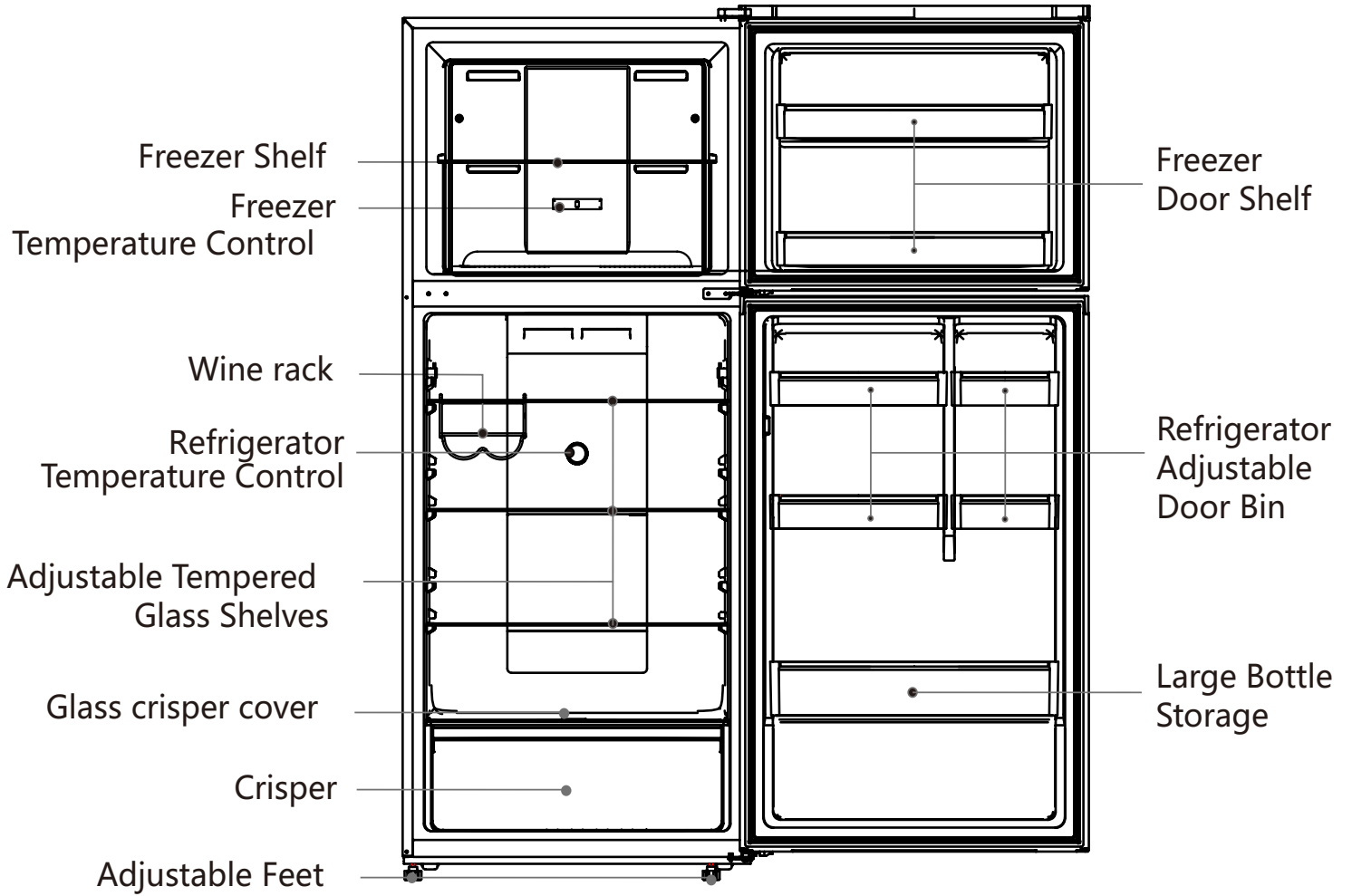
⚠ WARNING ⚠

To r e, electrical shock, or injury follow these basic precautions when using your appliance.

- 1) WARNING----Keep ventilation openings, in the appliance enclosure or in the built-in structure, clear of obstruction.
- 2) WARNING----Do not use mechanical devices or other means to accelerate the defrosting process, other than those recommended by the manufacturer.
- 3) WARNING----Do not use electrical appliances inside the appliance
- 4) WARNING----DANGER: Never allow children to play with, operate, or crawl inside the appliance. Risk of child entrapment. Before you discard or recycle your old refrigerator or freezer
 - Completely remove the doors or lids
 - Leaves the shelves in place so that children not may easily climb inside
- 5) Always unplug before any maintenance or service on the appliance.
- 6) If the component part is damaged, it must be re placed by the manufacturer, its service agent or similar qualified persons in order to avoid a hazard.
- 7) Follow local regulations regarding disposal of the appliance due to flammable refrigerant and blowing gas. All refrigeration products contain refrigerants, which under the guidelines of federal law must be removed before disposal. It is the consumer's responsibility to comply with federal and local regulations when disposing of this product.
- 8) This appliance is intended to be used in household and similar environment such as:
 - staff kitchen, work shop, office and other working environments;
 - farm houses and by clients in hotels, motels and other residential type environments;
 - bed and breakfast type environments;
 - catering and similar non retail applications.
- 9) Do not store or use gasoline or any inflammable liquors and liquids inside or in the vicinity of refrigerator.
- 10) Do not use an extension cord with t his appliance. If the power cord is too short, have a qualified electrician install an outlet near the appliance. Use of an extension can negatively affect the appliance's performance.



OVERVIEW

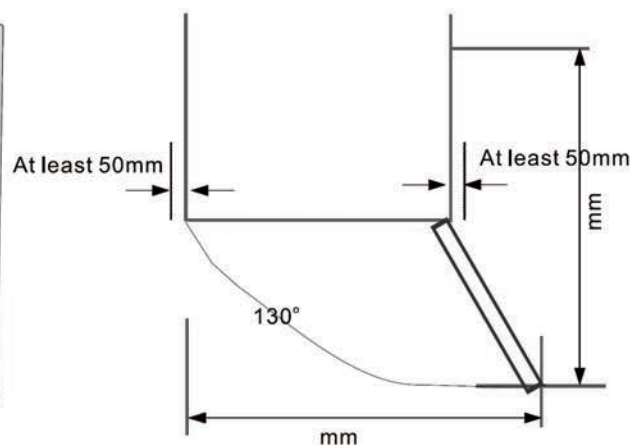
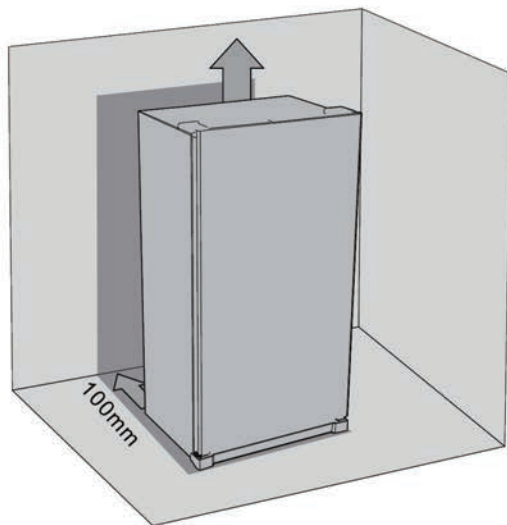


Note: Above picture is for reference only. The actual appliance maybe slightly different.

INSTALLATION

Space Requirement

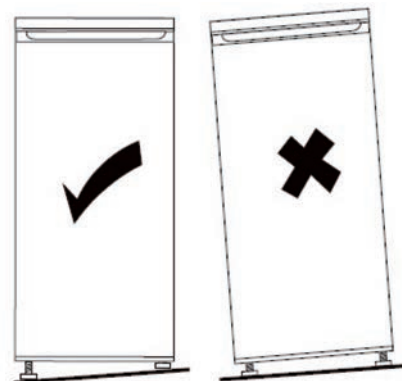
- Select a location without direct exposure to sunlight;
- Select a location with enough space for the refrigerator doors to open easily;
- Select a location with level (or nearly level) flooring;
- Allow sufficient space to install the refrigerator on a flat surface;
- Allow clearance to the right, left, back and top when installing. This will help reduce power consumption and keep your energy bills lower.



Levelling the refrigerator

To do this adjust the two levelling feet at front of the unit.

If the unit is not level, the doors and magnetic seal alignments will not be covered properly



Location

The appliances should be installed well away from sources of heat such as radiators, boilers, direct sunlight etc. Ensure that air can circulate freely around the back of the cabinet. To ensure best performance, if the appliance is positioned below an overhanging wall unit, the minimum distance between the top of the cabinet and the wall unit must be at least 100 mm. Ideally, the appliances should not be positioned below overhanging wall units. Accurate leveling is ensured by one or more adjustable feet at the base of the cabinet.

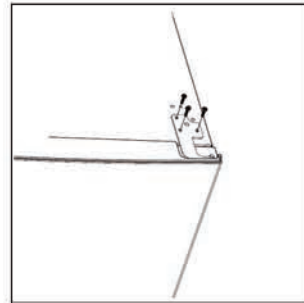
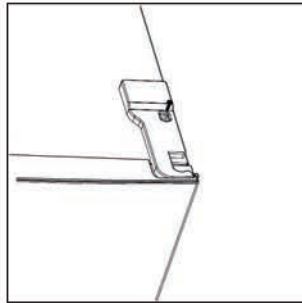
⚠ WARNING! It must be possible to disconnect the appliances from the mains power supply; the plug must therefore be easily accessible after installation.

Changing the Reversible Door

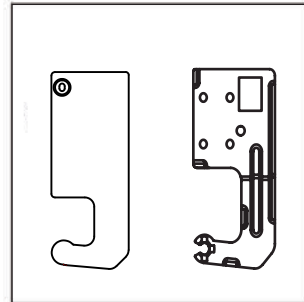
Tool required: Philips screwdriver, Flat bladed screwdriver, :

- Ensure the unit is unplugged and empty.
- To take the door off, it is necessary to tilt the unit backwards. You should rest the unit on something solid so that it will not slip during the door reversing process.
- All parts removed must be saved to do reinstallation of the door.
- Do not lay the unit flat as this may damage the coolant system.
- It's better taht 2 people handle the unit during assembly.

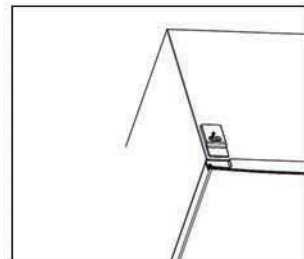
1. Unscrew top hinge cover and then unsrew the top hinge. then lift upper door and place it on a soft pas to avoid scratch and damage.



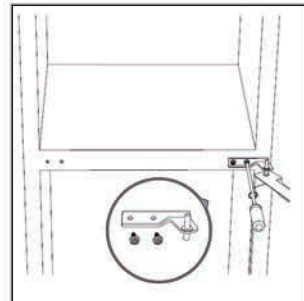
3. Find out left top hinge and hinge cover from spare parts bags .



3. Remove the top left srew cover.

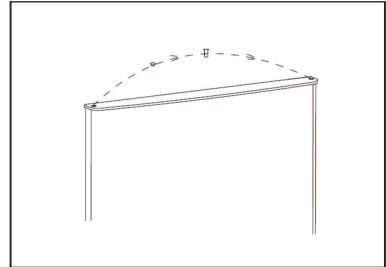


4. Unscrew middle hinge.

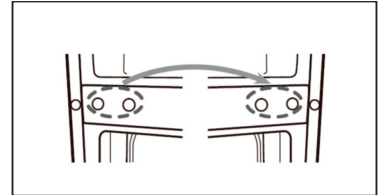


Reverse Door

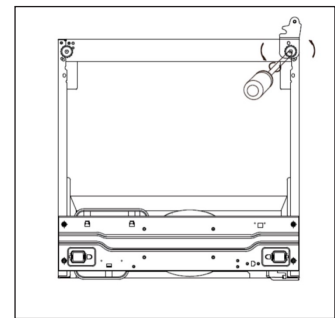
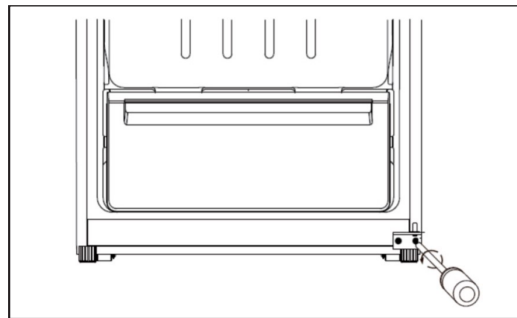
5. Move shaft sleeve and pin hole plug from left side to right side.



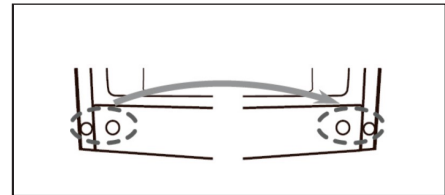
6. Move the middle hinge hole covers from left side to right side.



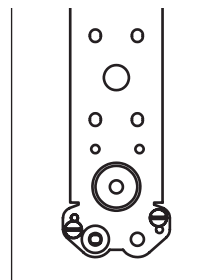
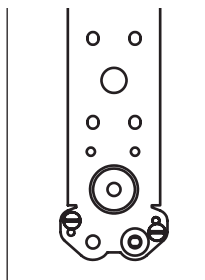
7. Unscrew bottom hinge. Then remove the adjustable feet from both.



8. Move the bottom hinge hole covers from left side to right side.

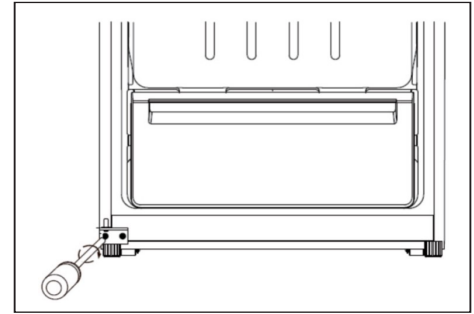
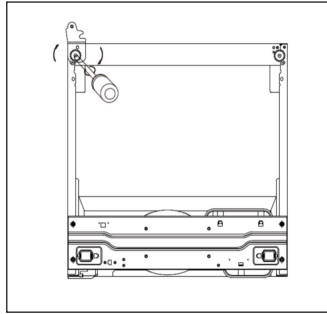


9. Disassemble right hinge, find out right bottom hinge from spare parts bags and fix it.

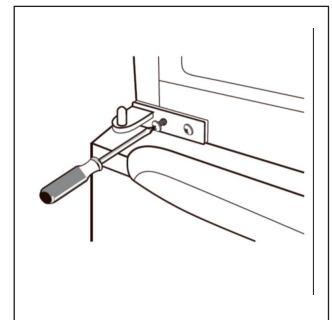


Reverse Door

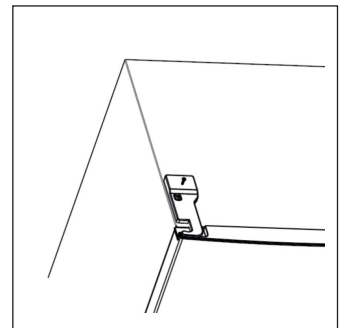
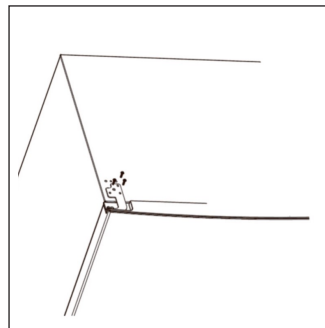
10. Refit the bracket fitting the bottom hinge pin. Replace both adjustable feet. Transfer the lower door to the property position.



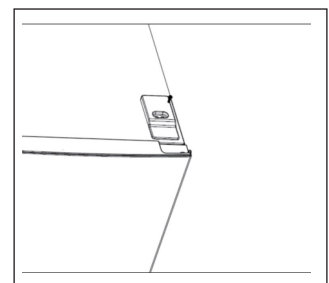
11. Make the middle hinge reverse the direction 180°, then transfer it to the left property position. Make the middle hinge pin in the upper hole of the lower door, then tight the bolts.



12. Place the upper door back on. Ensure the door is aligned horizontally and vertically so that the seal transfer it to the left property position. Make the middle hinge pin in the upper hole of the lower door, then tight the bolts.



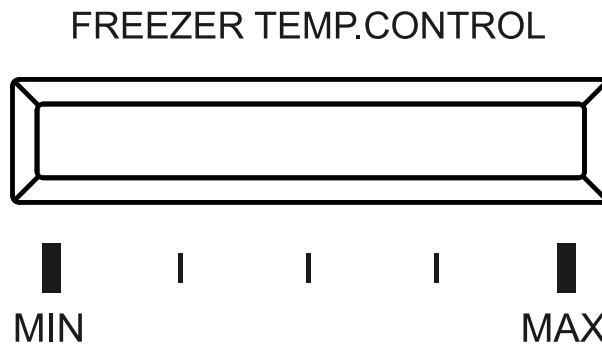
13. Place the top left cover to right side and fix it by screw.



Using the Control Panel

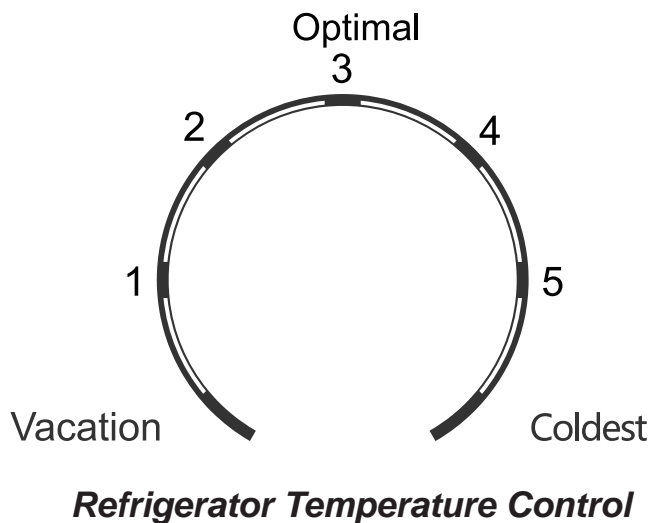
Freezer compartment Temperature Setting

To adjust the temperature in the freezer section, do not adjust the refrigerator section temperature control, simply adjust the “slider” in the back of the freezer section. "MAX", is the coldest (lowest temperature) for the freezing section.



Refrigerator Compartment Temperature Setting

To adjust the temperature in the refrigerator compartment, simply turn the dial to the desired temperature: 1 is the warmest, 5 is the coldest, and “vacation” setting is OFF.



Daily Use

First use

Cleaning the interior

Before using the appliance for the first time, wash the interior and all internal accessories with lukewarm water and some neutral soap so as to remove the typical smell of a brand new product, then dry thoroughly.

Important! Do not use detergents or abrasive powders, as these will damage the finish.

Freezing the interior

- The freezer compartment is suitable for freezing fresh food and storing frozen and deep-frozen food for a long time.
- Place the fresh food to be frozen in the bottom compartment.
- The maximum amount of food that can be frozen in 24 hours is specified on the rating plate.
- The freezing process lasts 24 hours: during this period do not add other food to be frozen.

Storing frozen food

When first starting-up or after a period out of use. Before putting the product in the compartment let the appliance run at last 2 hours on the higher settings.

IMPORTANT! In the event of accidental defrosting, for example the power has been off for longer than the value shown in the technical characteristics chart under "rising time", the defrost food must be consumed quickly or cooked immediately and then re-frozen (after cooked).

Thawing

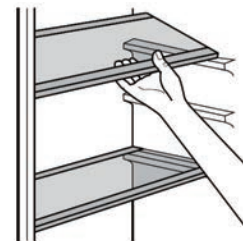
Deep-frozen or frozen food, prior to be used, can be thawed in the refrigerator compartment or at room temperature, depending on the time available for this operation. Small pieces may even be cooked still frozen, directly from the freezer. In this case, cooking will take longer.

Ice-Cube

This appliances may be equipped with one or more ice-cube to produce ice.

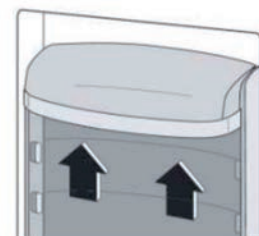
Adjustable Glass

The walls of the refrigerator are equipped with a series of runners so that the shelves can be positioned as desired.



Adjusting the door bins

To permit storage of food packages of various sizes, the door balconies can be placed at different heights. To make these adjustments proceed as follows: gradually pull the bin in the direction of the arrows until it comes free, then reposition as required.



Daily Use

To help you make the most of the freezing process, here are some important hints:

- The maximum quantity of food which can be frozen in 24hrs. is shown on the rating plate;
- Only freeze top quality, fresh and thoroughly cleaned, foodstuffs;
- Prepare food in small portions to enable it to be rapidly and completely frozen and to make it possible subsequently to thaw only the quantity required;
- wrap up the food in aluminium foil or polythene and make sure that the packages are airtight;
- do not allow fresh, unfrozen food to touch food which is already frozen, thus avoiding a rise in temperature of the latter;
- lean foods store better and longer than fatty ones; salt reduces the storage life of food;
- water ice, if consumed immediately after removal from the freezer compartment, can possibly cause frost burns;
- it is advisable to show the freezing date on each individual pack to enable removal from the freezer compartment, in a timely manner;
- it is advisable to show the freezing date on each individual pack to enable you to keep tab of the storage time.

Hints for storage of frozen food

To obtain the best performance from this appliance, you should:

- Make sure that the commercially frozen foodstuffs were adequately stored by the retailer;
- Be sure that frozen foodstuffs are transferred from the food store to the freezer in the shortest possible time;
- Do not open the door frequently or leave it open longer than absolutely necessary;
- Once defrosted, food deteriorates rapidly and cannot be refrozen;
- Do not exceed the storage period indicated by the food manufacture.

Hints for fresh food refrigeration

To obtain the best performance:

- Do not store warm food or evaporating liquids in the refrigerator;
- Do not cover or wrap the food, particularly if it has a strong flavour.

Hints for refrigeration

Useful hints:

- Make (all types): wrap in polythene bags and place on the glass shelves above the vegetable drawer;
- For safety, store in this way only one or two days at the most;
- Cooked foods, cold dishes, etc. These should be covered and may be placed on any shelf;
- Fruit and vegetables: these should be thoroughly cleaned and placed in the special drawer(s) provided;
- Butter and cheese: These should be placed in special airtight containers or wrapped in aluminium foil or polythene bags to exclude as much air as possible;
- Milk bottle: these should have a cap and should be stored in the balconies on the door;
- Bananas, potatoes, onions and garlic, if not packed, must not be kept in the fridge.

Cleaning

For hygienic reasons the appliance interior, including interior accessories, should be cleaned regularly.



Caution! The appliances may not be connected to the mains during cleaning. Danger of electrical shock! Before cleaning switch the appliance off and remove the plug from the mains, or switch off or turn out the circuit breaker or fuse. Never clean the appliance with a steam cleaner. Moisture could accumulate in electrical components, danger of electrical shock! Hot vapors can lead to the damage of plastic parts. The appliance must be dry before it is placed back into service.

Important! Ethereal oils and organic solvents can attack plastic parts, e.g. lemon juice or the juice from orange peel, butyric acid, cleanser that contain acetic acid.

- Do not allow such substances to come into contact with the appliance parts;
- Do not use any abrasive cleaners;
- Remove the food from the freezer. Store them in a cool place, well covered.
- Switch the appliance off and remove the plug from the mains, or switch off or turn out the circuit breaker fuse;
- Clean the appliance and the interior accessories with a cloth and lukewarm water. After cleaning wipe with fresh water and rub dry;
- After everything is dry, plug the appliance into the mains power supply and then you may use the appliance.

Important Warning

- △ Keep ventilation openings, in the appliance enclosure or in the built-in structure, clear of obstruction. Do not use mechanical devices or other means to accelerate the defrosting process, other than those recommended by the manufacturer.
- △ Do not change or damage the refrigerant circuit.
- △ Do not store explosive substances such as aerosol cans with a flammable propellant in this appliance.
- △ During transportation and installation of the appliance, be certain that none of the components of the refrigerant circuit become damaged.
- △ It is dangerous to alter the specifications or modify this product in any way. Any damage to the cord may cause a short circuit, fire and/or electric shock.
- △ This appliance is intended to be used in residential household, office or light commercial applications such as Hotels and College Dorms.
- △ All electrical components (plug, power cord, compressor and etc.) must be replaced by a certified service agent or qualified service personnel.
- △ The refrigerant contained within the compressor of the appliance is isobutene (R600a) which is environmentally friendly but flammable.
- △ Make sure that the power plug is not crushed or damaged at the back of the appliance. A crushed or damaged power plug may overheat and cause a fire.
- △ Power cord must not be lengthened.
- △ Make sure that you can come to the mains plug of the appliance. Do not pull the mains cable.
- △ If the power plug socket is loose, do not insert the power plug. There is a risk of electric shock or fire. You must not operate the appliance without the lamp.
- △ This appliance is heavy. Care should be taken when moving it.
- △ Do not remove nor touch items from the freezer compartment if your hands are damp/wet, as this could cause skin abrasions or frost/freezer bums.
- △ Avoid prolonged exposure of the appliance to direct sunlight.

Troubleshooting

You can solve many common refrigerator problems easily, saving you the cost of a possible service call. Try the suggestions below to see if you can solve the problem before calling for service.

<i>Problem</i>	<i>Possible Causes</i>
Refrigerator does not operate	<ul style="list-style-type: none"> • Refrigerator unplugged • The circuit breaker is tripped/fuse blown.
Compressor turns on and off	<ul style="list-style-type: none"> • The room temperature is warmer than normal • Door is left open or is frequently opened. • The refrigerator does not have the correct clearances. • The refrigerator has recently been disconnected for a period of time.
Refrigerator compartments are too warm	<ul style="list-style-type: none"> • Temperature control is not set correctly. • Door is left open or is not set correctly. • The door gasket does not seal properly. • A large amount of warm or hot food was stored recently. Wait for the refrigerator to reach its selected temperature. • The refrigerator has recently been discontinued for
Vibrating or rattling (slight vibration is normal)	<ul style="list-style-type: none"> • Leveling legs need adjusting. • Refrigerator is placed on an uneven or weak surface. • The refrigerator is touching the wall. Re-level the refrigerator and move it away from the wall.
Temperature of external refrigerator surface is warm	<ul style="list-style-type: none"> • The exterior refrigerator walls can be as much as 30°F warm than room temperature. • This is normal while the compressor works to transfer heat from inside the refrigerator cabinet.
Moisture collects inside the refrigerator	<ul style="list-style-type: none"> • Door is left open or is frequently opened.
Moisture forms on outside of refrigerator	<ul style="list-style-type: none"> • Is normal in hot and humid weather. Air carries moisture into the refrigerator when doors are opened.
Bubbling or gurling sounds (like boiling water)	<ul style="list-style-type: none"> • This is the normal sound of refrigerant (used to cool refrigerator) circulating throughout the system
Popping or crackling sounds when compressor comes on	<ul style="list-style-type: none"> • This is the normal. Metal parts undergo expansion and contraction, like hot water pipes. The sound will level off or disappear as refrigerator runs.
The door will not close properly	<ul style="list-style-type: none"> • The refrigerator is not on a level surface. • The gasket is dirty. • The storage basket is out of position.

For any questions or concerns, please contact us at customerservice@stirlingmarathon.com or visit us at www.stirlingmarathon.com



MFF150W/BLS

2 Year Limited Warranty

When operated and maintained according to the instructions in the Use & Care Guide, Marathon, a registered trademark of Stirling Marathon Limited, agrees to repair or replace this product for 2 years from the date of original purchase and/or agrees to pay for parts and service/labor required to correct defects in materials or workmanship. Any and all Service must be approved and provided by an Authorized Stirling Marathon Service provider. YOUR EXCLUSIVE REMEDY UNDER THIS LIMITED WARRANTY SHALL BE PRODUCT REPAIR OR REPLACEMENT AT THE SOLE DISCRETION OF STIRLING MARATHON LIMITED AS PROVIDED HEREIN. This limited warranty is valid only in Canada and the Continental United States with proof of original purchase and confirmed warranty registration.

TERMS OF WARRANTY BY PRODUCT

Refrigeration & Freezers	Less than 6 cu.ft.	Carry-In
Refrigeration & Freezers	Greater than 6 cu.ft.	In-Home
Electric & Gas Ranges	All Sizes	In-Home

How to Obtain Service

Carry-In: The original purchaser must deliver or ship the defective product to an authorized Stirling Marathon Service present a copy of the original bill of sale or Warranty Registration Confirmation.

In-Home: Contact Authorized Service Center and provide a copy of the Original bill of sale or Warranty Registration Card. If you are in a remote area or the closest Authorized Service Center is further than 100 km (60 miles), you will be required to deliver the appliance to the closest Service Center at your expense.

Stirling Marathon is not responsible or liable for any spoilage or damage to food or other contents of this appliance, whether due to any defect of the appliance, or its use, whether proper or improper.

Items Excluded from Warranty

- Damages due to shipping damage or improper installation.
- Damages due to misuse or abuse.
- Content losses due to failure of the unit.
- Commercial or Rental Use Limited to 90 days Parts & Labor.
- Plastic parts such as door bins, panels, door shelves, racks, light bulbs, etc.
- Punctures to the evaporator system due to improper defrosting of the unit.
- Service or Repair by unauthorized service technicians.
- Service calls that do not involve defects in material and workmanship such as instruction on proper use of the product, door reversal or improper installation.
- Replacement or resetting of house fuses or circuit breakers.
- Delivery costs incurred as the result of a unit that fails.
- Expenses for travel and transportation for product service if your appliance is located in a remote area where service by an unauthorized service technician is not available.
- The removal and reinstallation of your appliance if it is installed in an inaccessible location or is not installed in accordance with published installation instructions.
- Liability under this warranty is limited to repair, replacement or refund. If a replacement unit is not available or the unit cannot be repaired, liability is limited to the actual.
- Purchase price paid by the consumer.
- This warranty applies only to the original purchaser and does not extend to any subsequent owner(s) and is non-transferable.
- No warranty or insurance herein contained or set out shall apply when damage or repair is caused by any of the following:
 - Accident, alteration, abuse or misuse of the appliance such as inadequate air circulation in the room or abnormal operating conditions (extremely high or low room temperature). Use for commercial or industrial purposes (i.e. If the appliance is not installed in a domestic residence). Fire, water damage, theft, war, riot, hostility, acts of God such as hurricanes, floods etc.
 - Service calls resulting in customer education.
 - Improper Installation (ie. Building-in of a free standing appliance or using an appliance outdoors that is not approved for outdoor application).

For Service or Assistance please contact us at: warranty@stirlingmarathon.com
or visit us at www.stirlingmarathon.com



MFF150W/BLS

2 Ans de Garantie Limitée

Lorsqu'il est utilisé et entrete nu conformément aux instructions d'utilisation et d'Entretien, Marathon, une marque déposée de Stirling Marathon Limited, accepte de réparer ou de remplacer ce produit pendant 2 ans à compter de la date d'achat originale et / ou accepte de payer pour les pièces et le service / travail nécessaires pour corriger les vices de matériaux ou de fabrication. Tout service doit être approuvé et fourni par un fournisseur de service autorisé par Stirling Marathon. VOTRE RECOURS EXCLUSIF SOUS CETTE GARANTIE LIMITÉE EST LA RÉPARATION DU PRODUIT OU SON REMPLACEMENT À LA SEULE DISCRETION DE STIRLING MARATHON LIMITÉE, PRÉVUE AUX PRÉSENTES. Cette garantie limitée est valable uniquement au Canada et aux États-Unis Continenta ux avec preuve d'achat original et enregistré conformément de la garantie confirmée.

CONDITIONS DE GARANTIE PAR PRODUIT

Capacité		Type de garantie	
Réfrigérateurs & congélateurs	Moins que 6 pi.cu.	Retour/échange	À domicile
Réfrigérateurs & congélateurs	Plus de 6 pi.cu.	À domicile	À domicile
Gammes électriques et au gaz	Tout format	À domicile	À domicile

Comment faire appel à notre service

Retour/Échange : L'acheteur original doit livrer ou expédier le produit défectueux à un service de Marathon Stirling autorisé et présenter une copie de la facture originale de vente ou la Confirmation d'Enregistrement de la Garantie.

À domicile: Contactez le Centre de Service Autorisé et fournissez une copie de la facture originale de vente ou la Carte d'Enregistrement de la Garantie. Si vous êtes dans une région éloignée ou le Centre de Service Autorisé est à plus de 100 km (60 miles), vous serez tenu de remettre l'appareil au centre de service le plus proche à vos frais.

Stirling Marathon ne peut être tenu responsable pour toute détérioration ou dommage à la nourriture ou autres contenus de cet appareil, que ce soit en raison d'un défaut de l'appareil, ou de son utilisation, correcte ou incorrecte.

Éléments exclus de la garantie

- Les dommages dus à des dommages d'expédition ou à une mauvaise installation.
- Les dommages dus à une mauvaise utilisation ou de l'abus.
- Les pertes de contenu en raison de l'échec de l'unité
- Un usage Commercial ou Locatif limité à 90 jours Pièces & Main d'Œuvre
- Les pièces en plastique, tels que les bacs de portes, panneaux, étagères de porte, porte, ampoules, etc.
- Perforations du système d'évaporation dues à un mauvais dégivrage de l'appareil.
- Service ou réparations par des techniciens non autorisés
- Les appels de service qui ne concernent pas les défauts de matériaux et de fabrication tels que des instructions sur l'utilisation correcte du produit, l'inversion de la porte ou une mauvaise installation.
- Le remplacement ou la remise à zéro des fusibles ou des disjoncteurs.
- Les frais de livraison encourus à la suite d'une unité qui ne fonctionne plus
- Les frais de déplacement et de transport pour le service du produit si votre appareil est situé dans une région éloignée où le service par un technicien de service autorisé n'est pas disponible.
- La dépose et la réinstallation de votre appareil si elle est installée dans un endroit inaccessible ou n'est pas installée conformément aux instructions d'installation.
- La responsabilité sous cette garantie est limitée à la réparation, le remplacement ou le rembourquement. Si une unité de remplacement n'est pas disponible ou si l'appareil ne peut être réparé, la responsabilité est limitée au prix d'achat réel payé par le consommateur.
- Cette garantie est applicable uniquement à l'acheteur original et ne couvre pas le(s) propriétaire(s) ultérieur(s) et est non-transférable.
- Aucune garantie ou assurance y figurant ou autrement stipulée n'est applicable lorsque le dommage ou la réparation est causée par un des éléments suivants: Accident, modification, abus ou mauvaise utilisation de l'appareil tel que la circulation d'air insuffisante dans la chambre ou dans des conditions de fonctionnement anormales (température extrêmement élevée ou pièce à basse température).Utilisation à des fins commerciales ou industrielles (c'est à dire, si l'appareil n'est pas installé dans une résidence d'habitation domestique) Incendie, dégâts des eaux, vol, guerre, émeute, hostilité, les catastrophes naturelles tels que les ouragans, les inondations, etc.
- Les appels de service demandant la formation éducative des clients.
- Installation incorrecte (c'est à dire une addition de toute construction ou appareil additionnel(le) ou l'utilisation d'un appareil à l'extérieur qui n'est pas approuvé pour l'extérieur).

Dépannage

Vous pouvez résoudre de nombreux problèmes communs facilement, et économiser le coût d'une intervention. Essayez les suggestions ci-dessous pour voir si vous pouvez résoudre le problème avant d'appeler le service.

<i>Problème</i>	<i>Causes possibles</i>
Réfrigérateur ne fonctionne pas	<ul style="list-style-type: none"> Le réfrigérateur est débranché. Le disjoncteur s'est déclenché/fusible grillé.
Compresseur s'allume et s'éteint	<ul style="list-style-type: none"> La température ambiante est plus élevée que la normale. La porte est laissée ouverte ou est fréquemment ouverte. Le réfrigérateur n'a pas assez de place. Le réfrigérateur a récemment été débranché pour une période de temps.
La section du réfrigérateur est trop chaude	<ul style="list-style-type: none"> Contrôle de la température incorrecte. La porte est laissée ouverte ou est fréquemment ouverte. Le joint de la porte ne se referme pas correctement. Une grande quantité de nourriture chaude a été entreposée récemment. Attendez que le réfrigérateur puisse atteindre la température sélectionnée. Le réfrigérateur a récemment été débranché pour une période de temps.
Vibration et cliquetis (une légère vibration est normale)	<ul style="list-style-type: none"> Ajustement nécessaire des pieds réglables. Le réfrigérateur est placé sur une surface non plane. Le réfrigérateur touche le mur. Remettez à niveau et l'éloigner du mur.
La température externe à la surface du réfrigérateur est élevée	<ul style="list-style-type: none"> Les parois extérieures du réfrigérateur peuvent atteindre 30°C de plus que la température ambiante.
Humidité élevée à l'intérieur du réfrigérateur	<ul style="list-style-type: none"> La porte est laissée ouverte ou est fréquemment ouverte.
Humidité fréquente sur la surface extérieure du réfrigérateur	<ul style="list-style-type: none"> C'est normal par temps chaud et humide. L'air transporte l'humidité dans le réfrigérateur lorsque les portes sont ouvertes.
Gargouillis (comme de l'eau qui boue)	<ul style="list-style-type: none"> Ceci est le son normal du réfrigérant (utilisé pour refroidir le réfrigérateur) circulant dans le système.
Bruits de craquement lorsque le compresseur se met en marche	<ul style="list-style-type: none"> Ceci est normal. Les parties métalliques se dilatent et se contractent, comme des tuyaux d'eau chaude. Le son disparaîtra au fur et à mesure que le réfrigérateur continue de fonctionner.
La porte ne se ferme pas correctement	<ul style="list-style-type: none"> Le réfrigérateur n'est pas sur une surface plane. Le joint est sale. Le panier de stockage n'est pas à la bonne place.

Pour toute question ou préoccupation, veuillez nous contacter à customerservice@stirlingmarathon.com ou en ligne sur www.stirlingmarathon.com

Avertissements importants

- △ Gardez les ouvertures de ventilation dans l'appareil ou dans la structure intégrée, sans obstacles.
- △ Ne pas utiliser de dispositifs mécaniques ou autres moyens pour accélérer le processus de dégivrage autres que ceux recommandés par le fabricant.
- △ Ne pas modifier ou endommager le circuit frigorifique.
- △ N'entreposer pas de substance explosives telles que les bombes aérosols dans cet appareil.
- △ Il est dangereux de modifier les spécifications ou modifier ce produit en aucune façon. Tout dommage au cordon peut provoquer un court-circuit, un incendie et ou un choc électrique.
- △ Cet appareil est destiné à être utilisé dans les ménages résidentiels, bureaux ou entreprises commerciales tel que les hôtels et les dortoirs universitaires.
- △ Tous les composants électriques (prise, cordon d'alimentation, compresseur, etc.) doivent être remplacés par un agent de service certifié ou personnel qualifié. Le réfrigérant contenu dans le compresseur de l'appareil est du butane (R600a), qui est respectueux de l'environnement, mais inflammable.
- △ Assurez-vous que le cordon d'alimentation n'est pas écrasé ou endommagé à l'arrière de l'appareil. Un cordon d'alimentation endommagé peut surchauffer et provoquer un incendie. Le cordon d'alimentation ne doit pas être rallongé.
- △ Assurez-vous que vous pouvez accéder facilement à la prise électrique de l'appareil.
- △ Ne tirez pas sur le câble d'alimentation.
- △ Si la prise de courant est desserrée, ne pas insérer dans la prise d'alimentation. Il y a un risque de choc électrique ou d'incendie.
- △ Vous ne devez pas utiliser l'appareil si l'éclairage intérieur ne fonctionne pas.
- △ Cet appareil est lourd. Des précautions doivent être prises lors de son déplacement.
- △ Ne pas retirer ou toucher des éléments du compartiment congélateur si vos mains sont humides, car cela pourrait provoquer des éraflures ou des brûlures cutanées.
- △ Évitez l'exposition prolongée de l'appareil à la lumière directe.

USAGE QUOTIDIEN

Afin de profiter du meilleur rendement en matière de conservation, voici quelques conseils importants:

- Respecter la quantité maximale de nourriture à congeler sur une période de 24h.
- Une congélation complétée demande 24h d'attente. Aucune autre nourriture ne doit être ajoutée durant cette période;
- Veuillez conserver que de la nourriture de qualité fraîche.
- Portionner la nourriture en de petites quantités afin de les congeler rapidement et au besoin dégeler seule-ment une certaine quantité requise.
- Emballer la nourriture sous vide ou avec une pellicule moulante.
- Ne laissez pas de la nourriture fraîche ou décongelée entrer en contact avec des items surgelés, car cela aura pour effet de faire monter la température et affecter la conservation.
- La viande maigre se conserve plus longtemps qu'une viande moins maigre en gras.
- Il est conseillé de garder visibles les dates de péremption de chaque paquet de sorte à pouvoir faire le tri plus facilement.

Conseils en matière de congélation des aliments

- Afin d'obtenir la meilleure performance de votre appareil, vous devez:
- Vous assurer que vos aliments ont été bien entreposés par votre épicier.
- Assurez-vous que les aliments surgelés de l'épicerie soient congelés à nouveau dans votre congélateur dans le plus court des délais possibles.
- Ne pas ouvrir inutilement les portes de l'appareil.
- Une fois décongelée, la nourriture se détériore rapidement et ne peut être congelée à nouveau.

Conseils en matière de réfrigération des aliments

- Afin d'obtenir la meilleure performance de réfrigération, vous devez:
- Ne pas inclure dans le réfrigérateur de la nourriture chaude ou en état d'évaporation.
- Envelopper d'une pellicule moulante la nourriture, particulièrement celle qui est très rehaussée au goût.

Conseils de réfrigération

- Voici quelques conseils utiles:
- Toujours emballer d'une pellicule moulante tous les aliments/repas avant de les ranger dans le réfrigérateur.
- Conserver les aliments dans le réfrigérateur au maximum 48h.
- Les fruits et légumes doivent être lavés et mis dans les tiroirs prévus à cet effet.
- Le beurre et le fromage doivent être dans un endroit hermétique ou emballé dans du papier d'aluminium.
- Le lait doit être stocké sur l'un des baiconnets de porte.
- S'ils ne sont pas dans un emballage, les bananes, patates, onions et ails ne doivent pas être dans le réfrigérateur.

Entretien

Pour des raisons hygiéniques, l'intérieur et les accessoires du réfrigérateur doivent être lavés régulièrement.



ATTENTION! Cet appareil ne doit pas être connecté à une source électrique lors du nettoyage. Risque possible de choc électrique! Avant de débiter le nettoyage, mettre l'appareil en arrêt et débrancher-le de la prise de courant. Ne jamais nettoyer votre appareil à l'aide d'appareil à vapeur ou pression. L'humidité pourrait s'accumuler dans les composantes électriques. Risque possible de choc électrique! La haute vapeur peut occasionner des dommages aux composantes plastiques. L'appareil doit être asséché avant d'être remis en fonction de marche.

IMPORTANT! Les huiles à base de pétrole ou solvants organiques peuvent affecter les composantes plastiques. ex. Jus de citron, dissolvant d'agrumes, acide acétique, etc.

- Ne jamais laisser ces substances entrer en contact avec les pièces du réfrigérateur.
- Ne jamais utiliser de nettoyant abrasif.
- Retirer les aliments congelés et les ranger dans un endroit frais et bien couvert.
- Mettre l'appareil en arrêt et retirer la fiche électrique de la prise de courant.
- Nettoyer l'intérieur avec un chiffon doux et une solution savonneuse d'eau tiède. Après avoir lavé, rincer à fond avec une eau fraîche.
- Après avoir essuyé et séché l'intérieur, mettre en fonction de marche l'appareil.

Nettoyage de l'intérieur

Avant de mettre en fonction votre appareil pour la première fois, nettoyer l'intérieur et les accessoires avec une eau savonneuse tiède afin d'éliminer les odeurs résiduelles. Sécher complètement.

Important! Ne pas utiliser de détergent ou de poudres abrasives qui pourraient endommager la finition.

Congélation des aliments

- Le compartiment à congélation est propice à la congélation des aliments frais et surgelés pour une longue période.
- Placer simplement les aliments à geler dans le bas du compartiment.
- Le processus de congélation nécessite une période de 24h. Ne pas ajouter d'autres nourritures durant cette période.

Conservation des aliments gelés

Suite à la première mise en marche ou après une période de non-activité, laisser l'appareil fonctionner au moins 2 heures à la température maximale avant d'y insérer la nourriture à conserver.

Important! Dans l'éventualité d'un arrêt prolongé tel qu'une panne électrique par exemple, les aliments devront être consommés rapidement et cuits préalablement avant d'être congelés à nouveau.

Décongélation

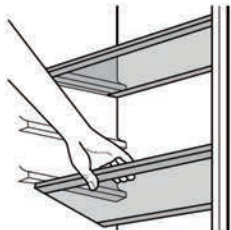
Les aliments surgelés peuvent être décongelés dans le compartiment réfrigérateur ou à la température de la pièce. Certains aliments peuvent être cuits gelés. Dans ce cas, la période de cuisson requise pourrait être prolongée.

Cubes de glace

Cet appareil peut être équipé d'un plateau à glaçons.

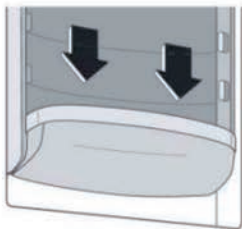
Clayettes ajustables

Les parois intérieures du réfrigérateur sont munies de glissière qui permet de positionner à votre convenance les clayettes.



Balconnets ajustables

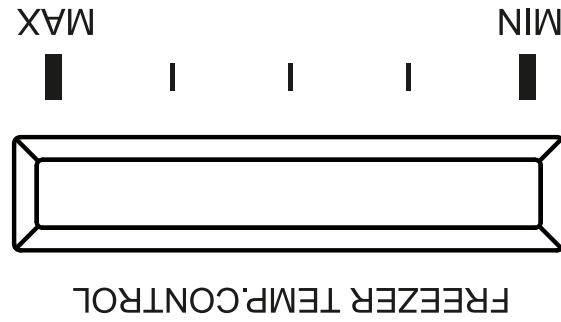
Afin de permettre une flexibilité de rangement d'articles de différentes hauteurs, les balconnets de porte peuvent être placés à différentes hauteurs. Veuillez soulever le balconnet vers le haut (tel que l'indiquent les flèches ci-contre) afin de le dégager, puis repositionner-le à la hauteur désirée.



Utilisation des contrôles

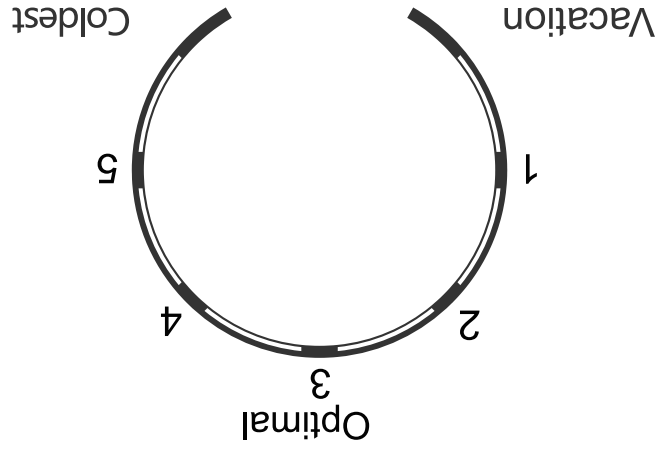
Contrôle de la température du congélateur

Il suffit de positionner le contrôle à glissière au fond du congélateur afin de permettre l'ajustement de la température dans la section congélation. La position "MAX" représente la température la plus froide que l'on peut obtenir dans cette section.



Ajustement de la température du compartiment aliments frais

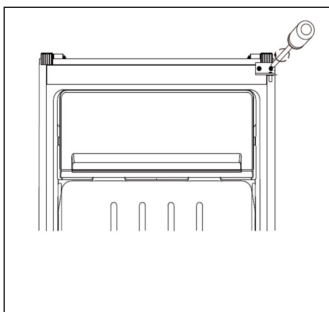
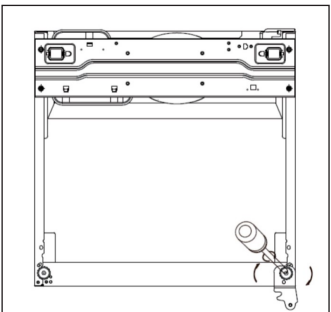
Afin d'ajuster la température dans le compartiment aliments frais du réfrigérateur, simplement tourner le contrôle à l'intensité de froid souhaitée. 1 est le plus chaud, 5 est le plus frais alors que la position "vacation" met l'appareil en fonctionnement d'arrêt.



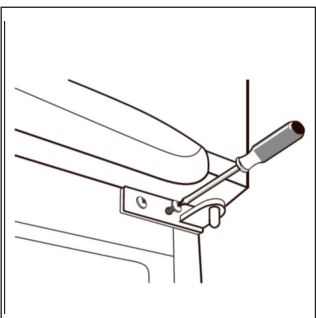
Contrôle de la température du réfrigérateur

INVERSION DE L'OUVERTURE DES PORTES

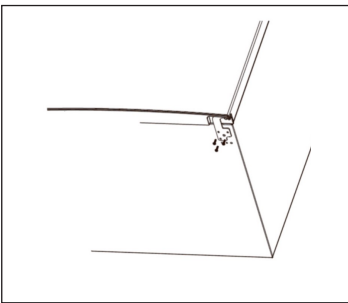
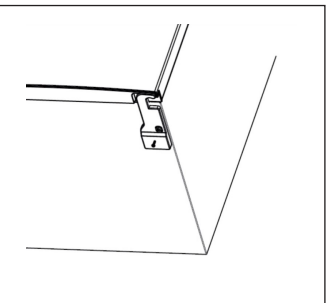
10. Réinstaller la charnière dans les trous au bas du réfrigérateur. Replacer les 2 pieds ajustables. Installer la porte inférieure dans sa position.



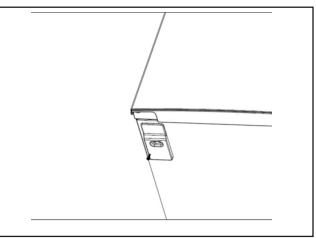
11. Assurez-vous d'inverser de 180° la charnière centrale avant de la transférer dans son emplacement du côté gauche. Assurez-vous que la charnière centrale soit positionnée dans le trou supérieur de la porte, puis serrez les vis.



12. Placer la porte du congélateur sur son pivot. Assurez-vous que le joint d'étanchéité soit aligné horizontalement et verticalement puis installez et serrez en dernier lieu la charnière supérieure. Par la suite, recouvrir la charnière du cache charnière inclus dans le sac d'accessoires avant de le visser.



13. Placer en dernier lieu, le cache trou du côté droit en le fixant à l'aide de vis.

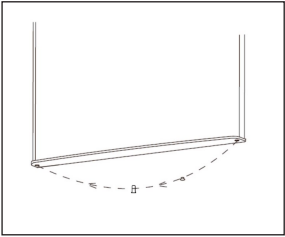


INVERSION DE L'OUVERTURE DES PORTES

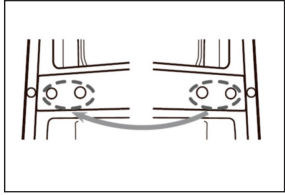
MFF150W/BLS



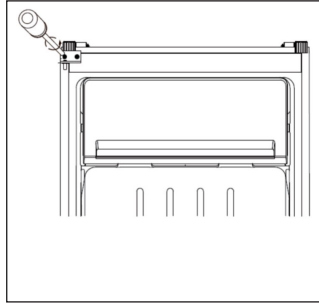
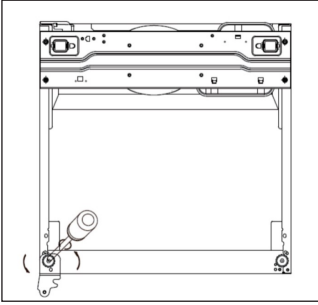
5. Retirer et déplacer la tige pivot et le capuchon du côté gauche vers le côté droit.



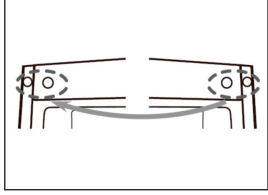
6. Déplacer les capuchons centraux du côté gauche vers le côté droit.



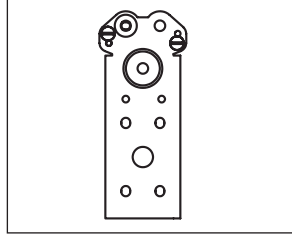
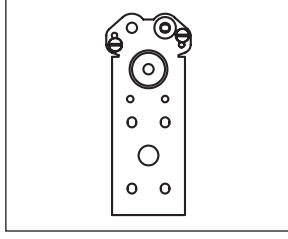
7. Dévisser les vis de la charnière inférieure. Par la suite, retirez les pattes ajustables des deux côtés.



8. Déplacer les capuchons inférieurs du côté gauche vers le côté droit.



9. Désassembler la charnière droite. Utilisez la charnière incluse dans le sac de pièces. Fixez celle-ci sur le réfrigérateur.

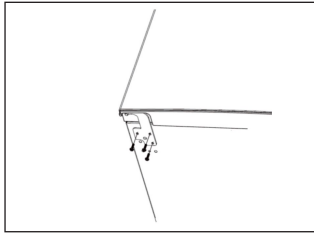
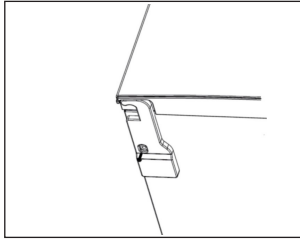


INVERSION DE L'OUVERTURE DES PORTES

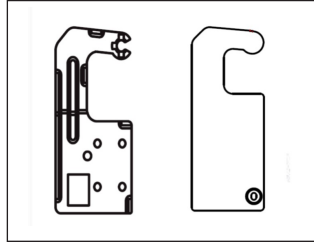
Outils requis: Tournevis Phillips, tournevis plat et une clé hexagonale.

- Assurez-vous que l'unité est débranchée et vide de contenu.
- Pour enlever la porte, il est nécessaire de pencher l'unité vers l'arrière. Vous devez reposer l'appareil sur un appui stable et solide afin qu'il ne glisse pas durant les étapes d'inversion des portes.
- Toutes les pièces retirées doivent être en lieu sûr, car elles seront réutilisées.
- Ne pas coucher totalement le réfrigérateur. Cela pourrait entraîner des dommages au système de réfrigérant scellé.
- 2 personnes sont requises préférentiellement pour faciliter l'assemblage.

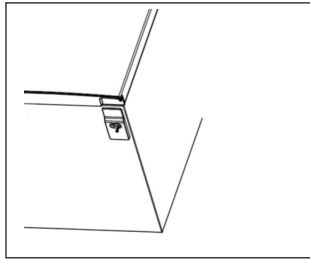
1. Retirer le cache charnière supérieure et dévisser les vis de la charnière. Par la suite, soulevez la porte du congélateur et déposez-la à un endroit sécurisé pour la protéger des dommages et des éraflures.



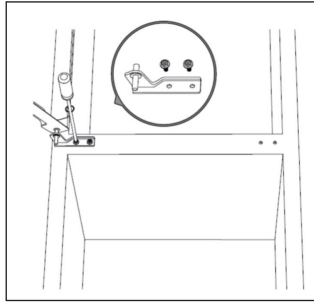
2. Repérer la charnière et cache charnière gauche inclus dans le sac d'accessoires. Elle sera nécessaire à l'étape 12.



3. Retirer le couvercle du côté opposé.



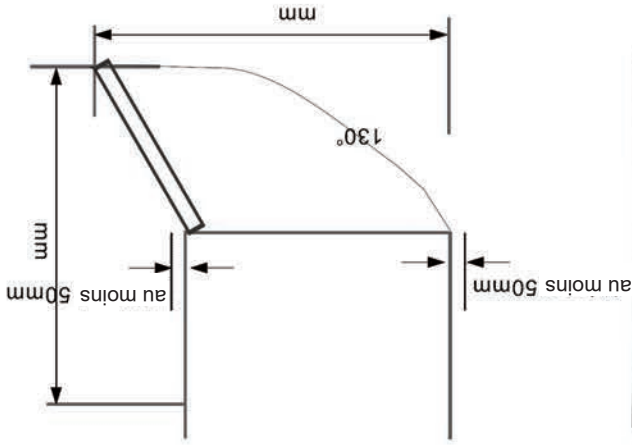
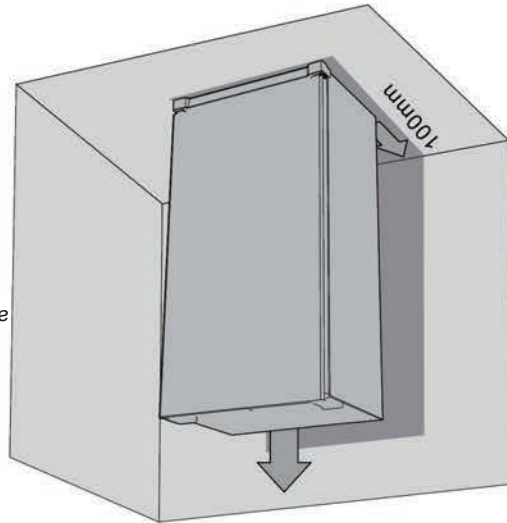
4. Dévisser la charnière centrale.



Installation

Espace requis

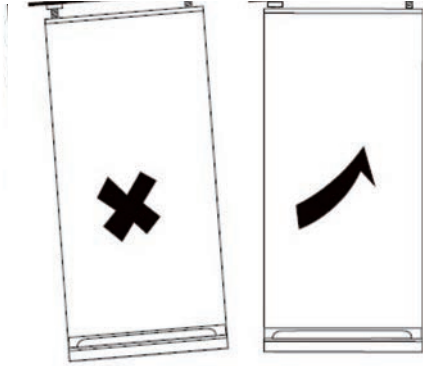
- Déterminer un emplacement sans exposition directe aux rayons du soleil;
- Déterminer un emplacement avec suffisamment d'espace afin de permettre facilement l'ouverture des portes;
- Déterminer un emplacement avec un plancher le plus nivelé que possible;
- Prévoier suffisamment d'espace afin d'installer le réfrigérateur sur une surface plane;
- Prévoier dans l'emplacement d'installation un espace de 100 mm au côté droit, gauche, arrière et dessus. Cette disposition aidera à réduire votre consommation électrique et ainsi réduire les coûts de votre facture d'électricité.



Nivellement de l'appareil

Veillez ajuster les deux pattes de nivellement situées à l'avant de l'appareil.

Si l'appareil n'est pas correctement mis à niveau, l'alignement des portes et des joints d'étanchéité magnétiques ne seront pas adéquats.

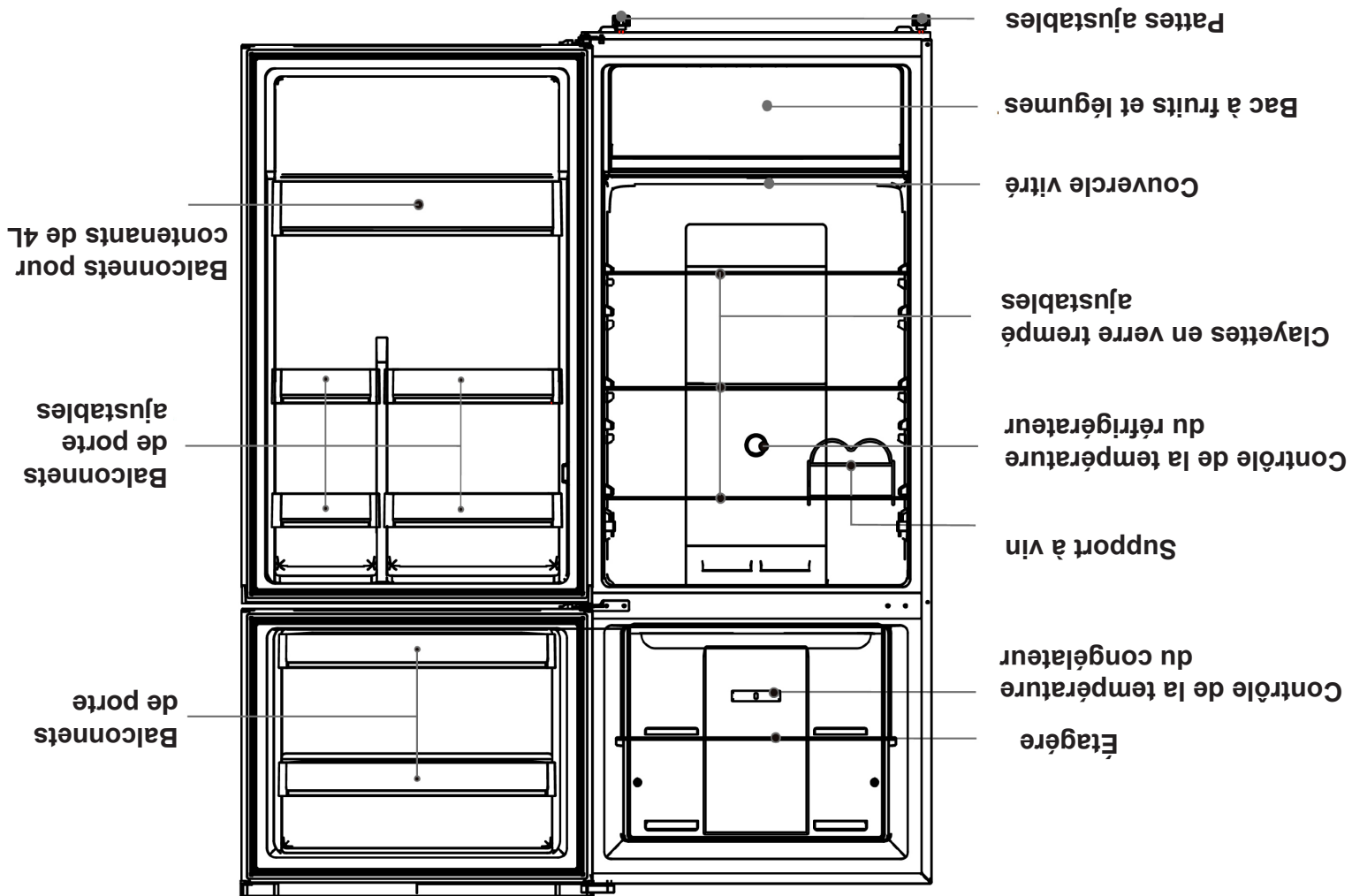


Emplacement

Cet appareil ne doit pas être installé près d'une source de chaleur telle qu'un radiateur, bouilloire, lumière du soleil, etc. Assurez-vous que l'air circule librement tout autour de l'appareil. Afin d'assurer une performance optimale, il est recommandé de ne pas appuyer l'arrière du réfrigérateur contre le mur. Un dégagement d'au moins 100 mm est requis entre le mur arrière et l'appareil.

⚠️ Avertissement! Occasionnellement l'appareil devra être débranché de la source électrique. Assurez-vous que la prise électrique soit accessible.

Vue d'ensemble



Note: L'illustration ci-contre est à titre de référence seulement. Votre appareil peut-être légèrement différent.

Informations de sécurité importantes



ATTENTION

Pour réduire les risques d'incendie, de chocs électriques ou de blessures, suivre ces précautions de base lors de l'utilisation de votre appareil.

- 1) **ATTENTION** ---- Gardez les ouvertures de ventilation, dans l'enceinte de l'appareil ou dans la structure intégrée, sans obstacles.
- 2) **ATTENTION** ---- Ne pas utiliser de dispositifs mécaniques ou autres moyens pour accélérer le processus de dégivrage, autres que ceux recommandés par le fabricant.
- 3) **ATTENTION** ---- Ne pas utiliser d'appareils électriques à l'intérieur de l'appareil.
- 4) **ATTENTION** ---- **DANGER:** Ne jamais laisser d'enfants jouer avec, exploiter, ou ramper à l'intérieur de l'appareil. Risque d'emprisonnement des enfants.

Avant de jeter ou de recycler votre vieux réfrigérateur ou congélateur:

- Retirez complètement les portes ou les couvercles
- Laissez les étagères en place afin que les enfants ne puissent pas grimper facilement à l'intérieur

- 5) **ATTENTION** ---- **INSTRUCTION DE MISE À LA TERRE** Cet appareil doit être mis à la terre. Dans l'éventualité d'un court-circuit électrique, la mise à la terre réduit le risque de choc électrique en déviant le courant électrique qui pourrait s'échapper de l'appareil. La fiche doit être branchée dans une prise correctement installée et mise à la terre.

LE CORDON ÉLECTRIQUE NE DOIT PAS ÊTRE RALLONGÉ.

- 7) Utilisez une prise murale exclusive de 115V. Ne connectez pas votre réfrigérateur aux rallonges ou à tout autre appareil dans la même prise murale.

- 8) Toujours débrancher l'appareil avant toute opération de maintenance ou de service sur l'appareil.

- 9) Si un composant est endommagé ou défectueux, il doit être remplacé par le fabricant, un agent de service ou un personnel qualifié afin d'éviter tout danger.

- 10) Suivre la réglementation locale pour vous débarrasser de l'appareil, dû à l'inflammabilité du réfrigérant et du gaz. Tous les produits de réfrigération contiennent des réfrigérants, qui, selon les directives de la loi fédérale, doivent être enlevés au préalable. Il est de la responsabilité du consommateur de se conformer aux réglementations fédérales et locales lorsque vous vous débarrassez de ce produit.

- 11) Cet appareil est destiné à être utilisé dans un environnement domestique ou de petit commerce tel que dans:

- a) Les cuisines pour le personnel, les ateliers, les bureaux et autres environnements de travail ;
- b) Les maisons de ferme, par les clients hôteliers, motels et autres environnements de type résidentiel ;
- c) Les environnements de type "Bed & Breakfast";
- d) Les traiteurs et autres applications similaires non liées à la grande distribution.

- 12) Ne pas entreposer ou utiliser de l'essence ou tout autre liquide inflammable à l'intérieur ou à proximité du réfrigérateur.

- 13) Ne pas utiliser une rallonge avec cet appareil. Si le cordon d'alimentation est trop court, demandez à un électricien qualifié d'installer une prise près de l'appareil. L'utilisation d'une rallonge peut avoir un impact négatif sur la performance de l'appareil.

VEUILLEZ CONSERVER CES INSTRUCTIONS





Réfrigérateur 15 pi.cu. sans givre



MFF150W/BLS

Félicitations pour l'achat de votre nouveau réfrigérateur Marathon!

Pour activer votre garantie, veuillez enregistrer votre appareil sur www.stirlingmarathon.com ou en remplissant en envoyant la carte d'enregistrement de garantie. Nous sommes confiants que vous aurez des années de plaisir sans tracas. Nous vous recommandons de bien vouloir conserver le guide d'utilisation et d'entretien pour référence et pour votre sécurité.

Avant de débiter l'installation, SVP lire le guide d'utilisation et installation en portant une attention particulière à la section sécurité et avertissement.

Pour assistance immédiate: 1-844-309-9777
www.stirlingmarathon.com